



**Current Repair Parts  
Manual**

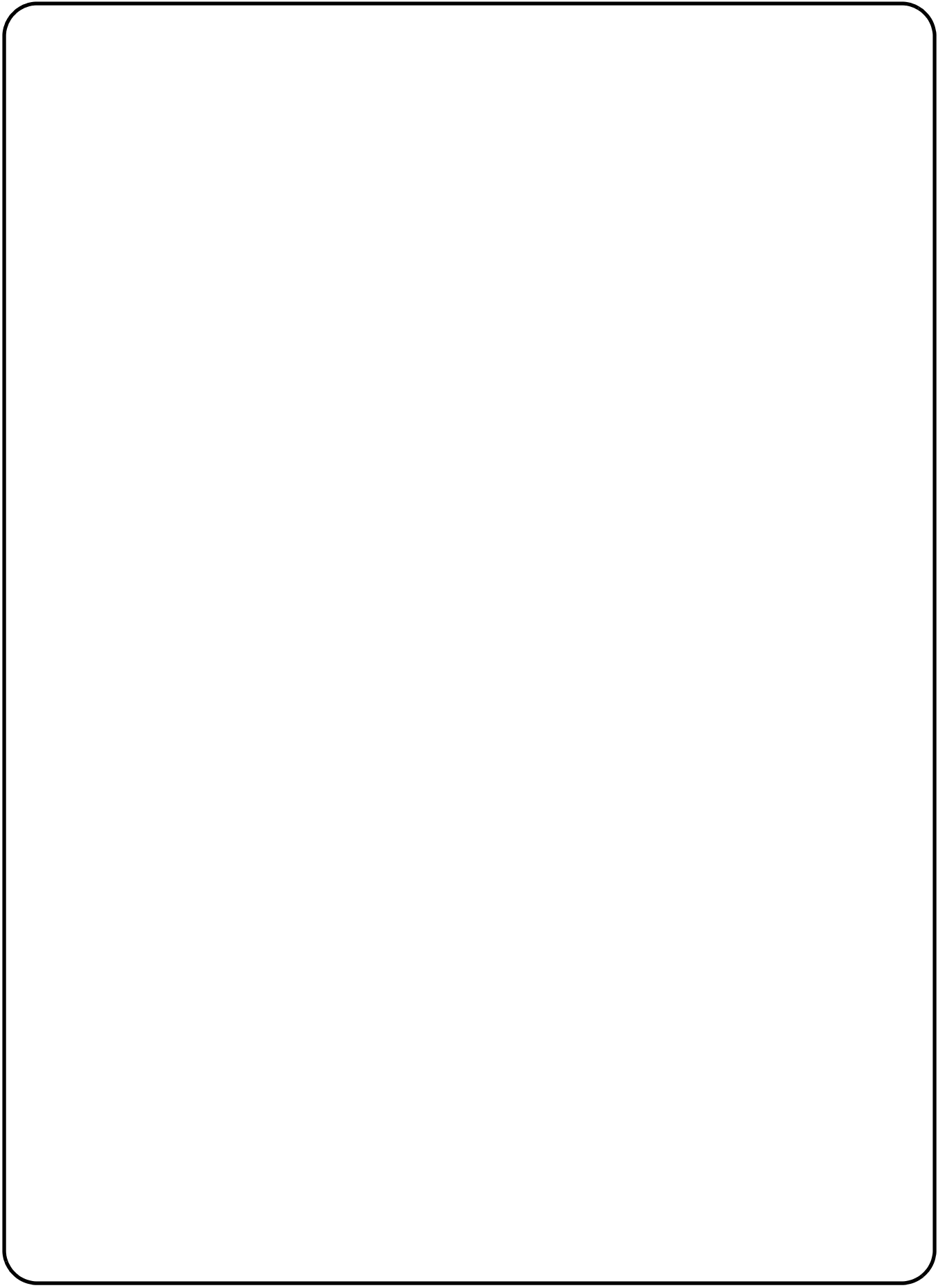
P/N 1435380 Rev M ECN 34101





## Table of Contents

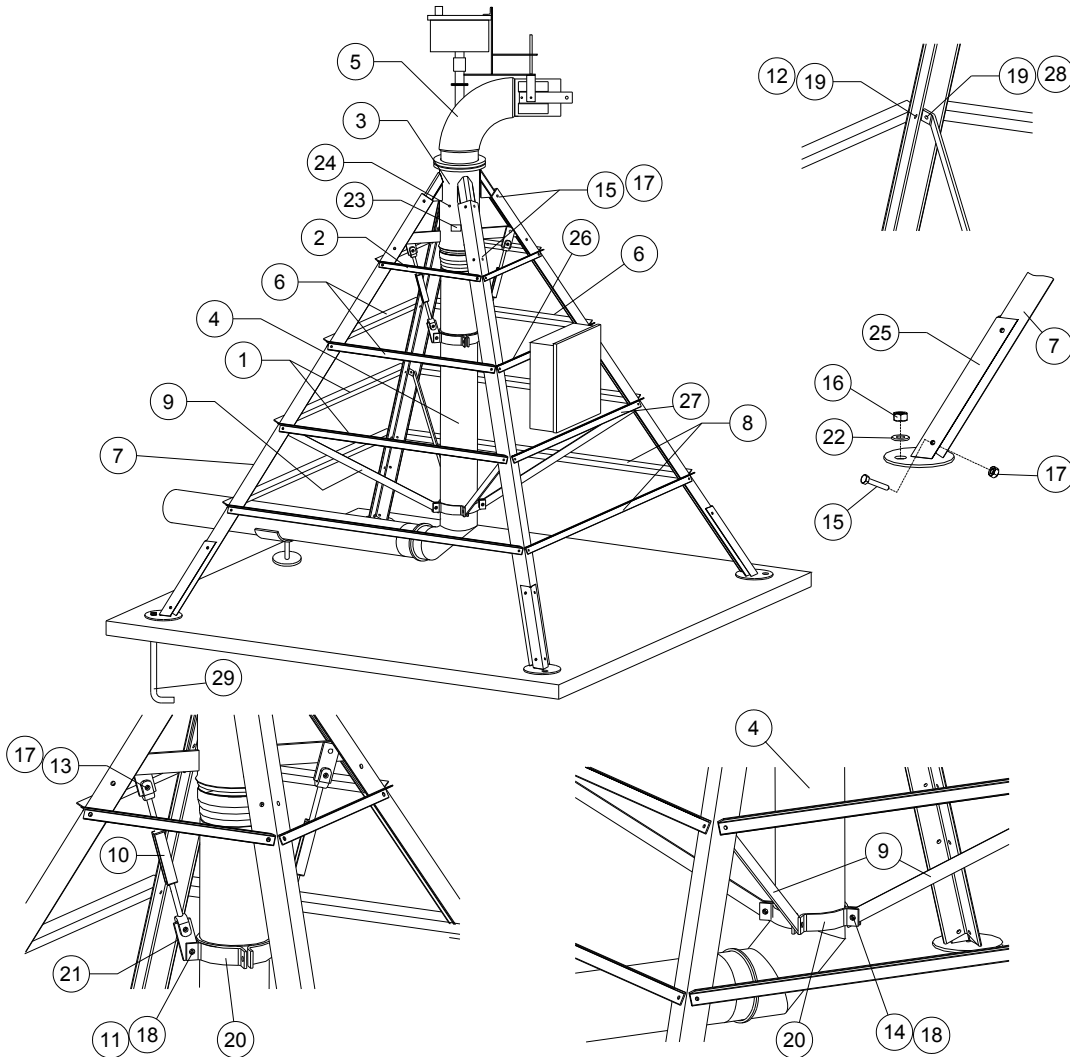
<b>Pivot Points</b> .....	A-3
10" Pivot.....	A-3
Riser Assembly, 10" Pivot .....	A-4
Collector Ring Mounting Detail .....	A-5
Riser Assembly, 10" Pivot (w/45 Amp Collector Ring).....	A-6
Collector Ring Mounting Detail .....	A-7
10" Riser Assembly Encoder Detail.....	A-8
Auto-Reverse w/Stop, 10" .....	A-9
Switch Assembly, 03-1003-7.....	A-9
Heavy Duty Non-Tow, 8-5/8", 8", 6-5/8", 5-9/16" .....	A-10
Non-Tow, 6-5/8", 5-9/16" .....	A-11
Elbow Section, 8-5/8", 8", 6-5/8", 5-9/16" .....	A-12
Encoder Ass'y, 5-9/16" to 8-5/8" .....	A-13
Auto-Reverse w/Stop, 8" .....	A-14
Non-Tow, Mid-Size, 8-5/8", 8", 6-5/8", 5-9/16" .....	A-15
Non-Tow, Tall, 8-5/8", 8", 6-5/8", 5-9/16" .....	A-16
Non-Tow, Tall, 8-5/8", 8", 6-5/8", 5-9/16" .....	A-17
Non-Tow, 6-5/8", 5-9/16", Compact Pivot.....	A-18
Non-Tow, 6-5/8", 5-9/16", Compact Pivot.....	A-19
Foot Options, Compact Pivot .....	A-19
Elbow Section, 6-5/8", 5-9/16", Compact Pivot.....	A-20
Encoder Ass'y, Compact Pivot, 5-9/16" & 6-5/8" .....	A-21
GPS Guidance Hardware Installation .....	A-22
Pressure Switch Installation .....	A-23
Single Panel Mounting .....	A-24
2 Panel Mounting.....	A-25
Compact Pivot Panel Mounting .....	A-26
Pivot Point Quick Drain Detail.....	A-27
Ground Rod Assembly, 1607414 (Does not Include Ground Rod) .....	A-27
Pivot Light Detail, 11-0770-5.....	A-28
LED Lighting, Pivot.....	A-29
Area Light Detail, Main Panel, 11-3300-8 .....	A-30
Strobe Light, 120V.....	A-31
Strobe Light.....	A-31
Strobe Lights/Kits, Tomar .....	A-32
Sign, Zimmatic, Pivot .....	A-33
Safety Decals, Pivot Point .....	A-34





# A Pivot Points

## 10" Pivot



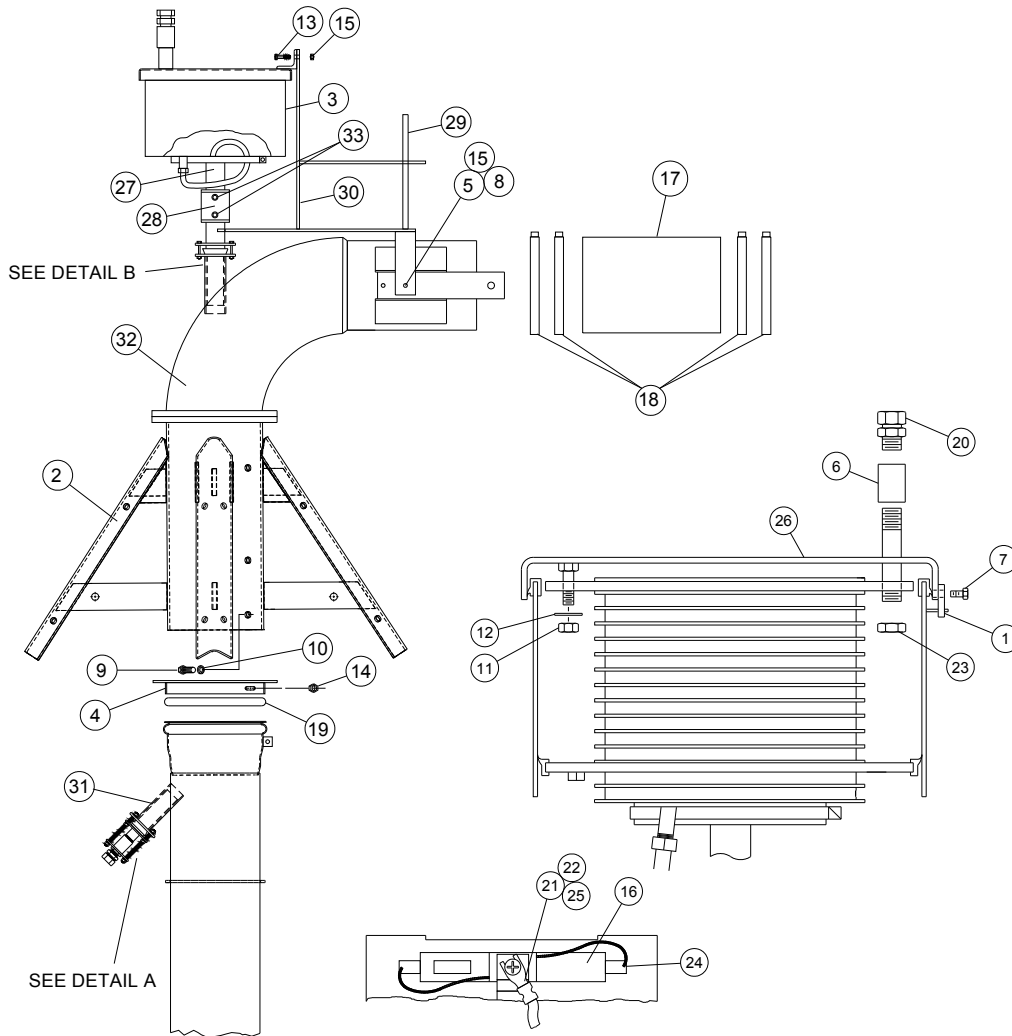
Ref.	Original Part No.	Substitute Part No.	Description
1	03-0810-6		Tie, Pivot, 2nd From Bottom
2	03-0830-4		Tie, Pivot, Top, 31-5/16"
3	03-0979-9		Head Weldment, Pivot, 10"
4	11-2251-4		Riser Weldment, Pivot, 10"
5	11-2250-6		Elbow Weldment, Pivot, 10"
6	03-1110-0		Brace, Truss Side, 51-1/2"
7	03-4600-7		Leg, Heavy Duty, Pivot
8	03-6939-7		Tie, Pivot Bottom, 92"
9	04-0063-0		Strap, Pivot Riser
10	06-0011-4		Turnbuckle, 3/4 x 6, Clevis End
11	06-0261-5		Screw, 3/4-10 x 2-1/2", Hex, Gr. 8
12	06-0804-2		Screw, 1/2-13 x 1-1/4", Hex, Gr. 5
13	06-0807-5		Screw, 5/8-11 x 2", Hex, Gr. 5
14	06-0809-1		Screw, 3/4-10 x 2", Hex, Gr. 5
15	06-0839-8		Screw, 5/8-11 x 1-1/2", Hex, Gr. 5
16	06-2258-9		Nut, 1-1/4-7, Hex
17	06-2416-3		Nut, 5/8-11, Lock

Ref.	Original Part No.	Substitute Part No.	Description
18	06-2417-1		Nut, 3/4-10, Lock
19	06-2418-9		Nut, 1/2-13, Lock
20	10-1196-4		Clamp, 1/4", 10" Pivot Riser
21	10-3575-7		Strap, 10" Riser Support, 5-3/4"
22	10-8627-1		Washer, Flat, 1-1/4"
23	11-0046-0		Decal, "Grease"
24	11-0470-2		Zerk, 5/16", Drive-In
25	11-0902-4		Anchor Weldment, Pivot, 10"
26	11-9461-0		Tie, Pivot, Panel Mount, Top
27	11-9462-0		Tie, Pivot, Panel Mount, Bottom
28	26-0760-4		Screw, 1/2-13 x 1-1/2", Hex, Gr. 5
29	10-3576-5		Bolt, Pivot Anchor, 1-1/4"
30	03-1028-4		Kit, 10" Pivot Hardware
31	03-4799-7		Bundle, Pivot Tie, 3 Sides (includes 3 of Items 2, 6 & 8)
32	03-4797-1		Bundle, Pivot, Galvanized (includes Items 1, 2, 8, 9, 26 & 27)



# Pivot Points

## Riser Assembly, 10" Pivot



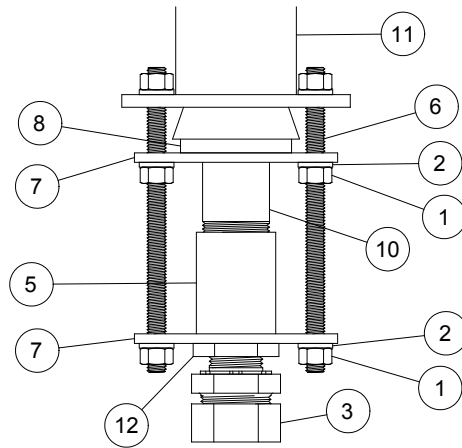
Ref.	Original Part No.	Substitute Part No.	Description
1	03-0860-1		Bracket, Collect. Ring Shld Hold.
2	03-0979-9		Head Weldment, Pivot, 10"
3	03-4899-5		Ring Assy, Collector, 11 Wire
4	04-1008-4		Ring Weldment
5	06-0250-8		Washer, Flat, 3/8"
6	06-0280-5		Coupling, Pipe, Steel, 3/4"
7	06-0800-0		Screw, 5/16-18 x 3/8", Hex
8	06-0803-4		Screw, 3/8-16 x 1-1/2", Hex, Gr. 5
9	06-0804-2		Screw, 1/2-13 x 1-1/4", Hex, Gr. 5
10	06-0820-8		Washer, 1/2", Rubber Seal
11	06-0824-0		Nut, Hex, 1/2", Hex
12	06-0843-0		Washer, Flat, 1/2"
13	06-2221-7		Screw, 3/8-16 x 1", Hex, Gr. 5
14	06-2418-9		Nut, 1/2-13, Lock
15	06-2420-5		Nut, 3/8-16, Lock
16	06-3868-4		Spring, Brush, Collector Ring
17	06-4698-4		Hose, 150 PSI, 10" ID x 9-3/4"

Ref.	Original Part No.	Substitute Part No.	Description
18	06-4699-2		Clamp, T-Bolt, 10"
19	06-4702-4		Gasket, 10", Rnd Back, 3Lip+1, 10"
20	09-0838-4		Connector, 3/4", w/Nut
21	09-7610-0		Term Wire, C, 16-14, Spade 10, Ins
22	09-7614-2		Term Wire, F, 10-12, Spade 10, Ins
23	09-9161-2		Nut, Conduit, 3/4", Lock
24	09-9163-8		Brush, Collector Ring
25	09-9311-3		Term Wire, 22-18, Spade 10, INS
26	10-9194-1		Shield, Collector Ring, 10"
27	10-9195-8		Weld., Collector Ring Support
28	12-3337-0		Coupling, Pipe, Steel, 1", Tapped
29	10-9804-5		Bracket Weld., 10" Collector Ring
30	10-9808-6		Mount Weld., 10" Collector Ring
31	11-2249-8		Riser, Internal, 10", SS
32	11-2250-6		Elbow Weldment, 10", Pivot
33	10-2874-5		Screw, 1/4-20 x 3/8", Socket Set

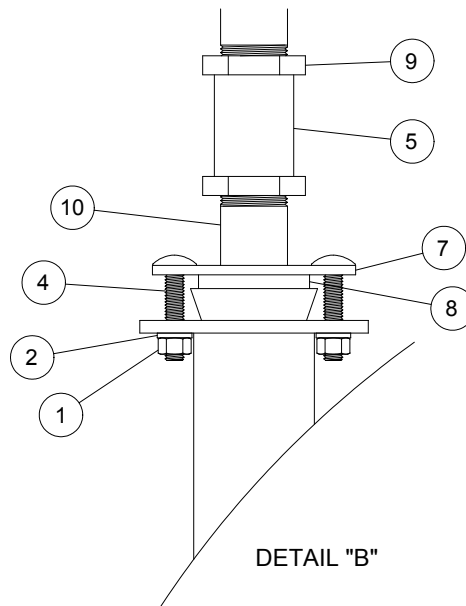


# Pivot Points

## Collector Ring Mounting Detail



DETAIL "A"



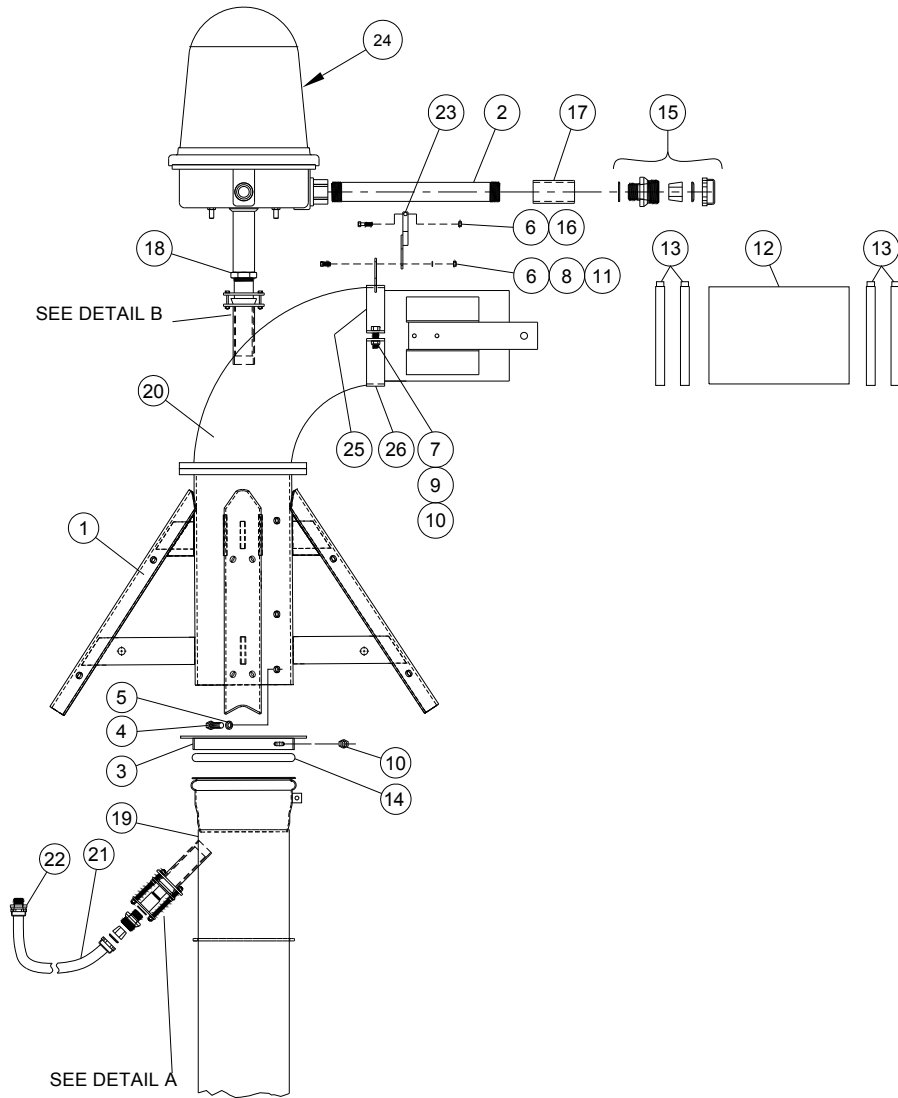
DETAIL "B"

Ref.	Original Part No.	Substitute Part No.	Description
1	06-0120-3		Nut, 3/8-16, Hex
2	06-0813-3		Washer, Lock, 3/8"
3	09-0838-4		Connector, 3/4", w/Nut
4	10-7720-5		Bolt, 3/8-16 x 1-1/2", Round Head Square Neck, Gr. 5
5	12-3337-0		Coupling, Pipe, Steel, 1", Tapped
6	10-9848-2		Rod, Threaded, 3/8-16 x 6"
7	11-1784-5		Flange, Wedgetite Seal
8	11-1785-2		Gasket, Wedgetite Seal
9	11-1787-8		Nut, Lock, 1", NPT
10	11-2249-8		Riser, Internal, 10"
11	11-2251-4		Riser Weldment, 10"
12	86-0600-6		Bushing, Hex, 1" x 3/4"



# Pivot Points

## Riser Assembly, 10" Pivot (w/45 Amp Collector Ring)



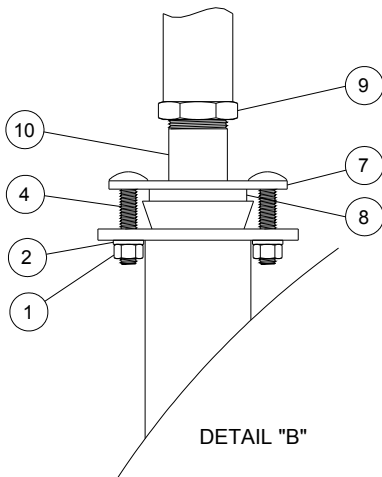
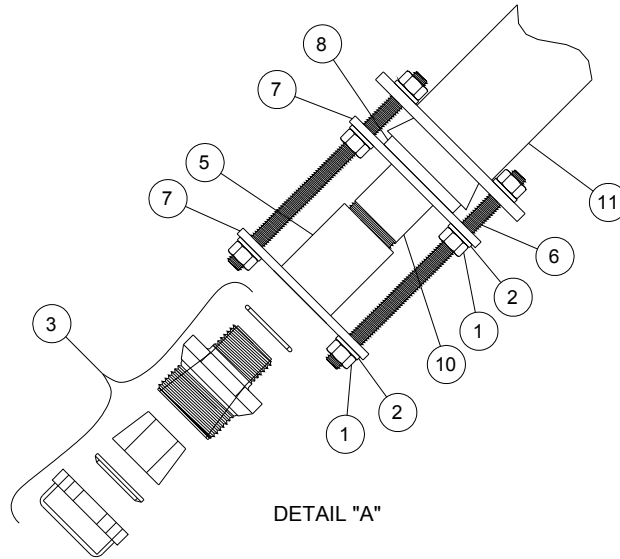
Ref.	Original Part No.	Substitute Part No.	Description
1	03-0979-9		Head Weldment, Pivot, 10"
2	03-6987-6		Pipe, Stabilizer, Collector Ring
3	04-1008-4		Ring Weldment
4	06-0804-2		Screw, 1/2-13 x 1-1/4", Hex, Gr. 5
5	06-0820-8		Washer, 1/2", Rubber Seal
6	06-0841-4		Nut, 1/4-20, Hex, A563-GR.B
7	06-0843-0		Washer, Flat, 1/2"
8	06-1510-4		Washer, Lock, 1/4, ZPY, Helical
9	06-2304-1		Screw, 1/2-13 x 2-1/2, Hex, Gr. 5
10	06-2418-9		Nut, 1/2-13, Lock
11	06-3936-9		Screw, 1/4-20 x 1, Hex, Gr. 5, Zn
12	06-4698-4		Hose, 150 PSI, 10" ID x 9-3/4"
13	06-4699-2		Clamp, T-Bolt, 10"

Ref.	Original Part No.	Substitute Part No.	Description
14	06-4702-4		Gasket, 10", Round Back, 3 Lip+1
15	09-9305-5		Connector, 1", Str. Rel., 8-9" D
16	10-8614-9		Screw, 1/4-20 x 1 1/2, Hex, Gr. 5
17	10-9657-7		Coupling, Pipe, Steel, 1" Galv.
18	11-1787-8		Nut, Lock, 1", NPT
19	11-2249-8		Riser, 10"
20	11-2250-6		Elbow Weldment, 10", Pivot
21	11-7780-7		Wire, Electric, 4 #8, 7, #14, Shield
22	11-8102-3		Connector, 3/4", Str. Rel., 8-9" D
23	12-0214-0		Assy Weld't, Collector Ring
24	14-3114-0		Ring Assy, Coll., 11-Wire, 45 Amp
25	14-4040-0		Clamp, ELL, 45 Amp, 10" Galv.
26	14-4041-0		Clamp, Half, 10-5/8, Galv.



# Pivot Points

## Collector Ring Mounting Detail

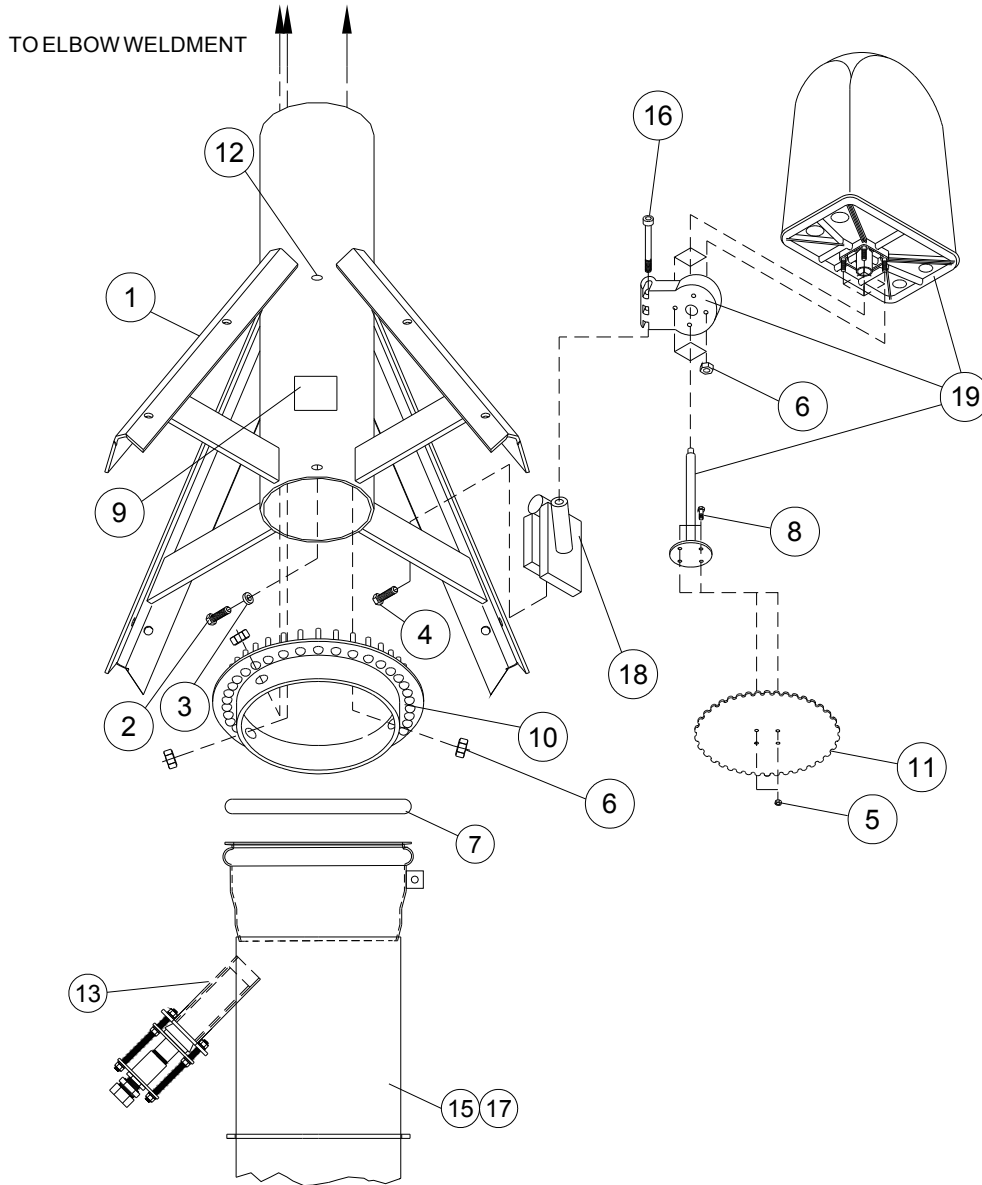


Ref.	Original Part No.	Substitute Part No.	Description
1	06-0120-3		Nut, 3/8-16, Hex
2	06-0813-3		Washer, Lock, 3/8"
3	09-9305-5		Connector, 1" Str. Rel., 8-.9" D
4	10-7720-5		Bolt, 3/8-16 x 1-1/2" RHSN, Gr. 5
5	10-9657-7		Coupling, Pipe, Steel, 1"
6	10-9848-2		Rod, Threaded, 3/8-16 x 6"
7	11-1784-5		Flange, Wedgetite Seal
8	11-1785-2		Gasket, Wedgetite Seal
9	11-1787-8		Nut, Lock, 1", NPT
10	11-2249-8		Riser, 10"
11	11-2251-4		Riser Weldment, 10"



# Pivot Points

## 10" Riser Assembly Encoder Detail



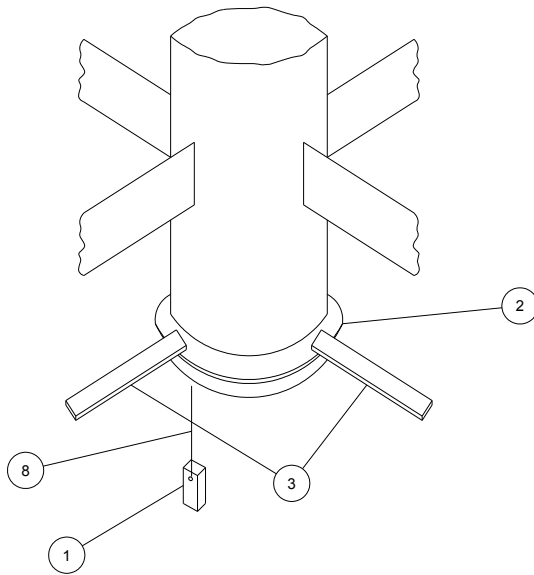
Ref.	Original Part No.	Substitute Part No.	Description
1	03-0979-9		Head Weldment, Pivot, 10"
2	06-0804-2		Screw, 1/2-13 x 1-1/4", Hex, Gr. 5
3	06-0820-8		Washer, 1/2", Rubber Seal
4	06-2221-7		Screw, 3/8-16 x 1", Hex, Gr. 5
5	06-4267-8	0602409	Nut, 1/4-20, Lock, Nylon Insert
6	06-4364-3		Nut, 5/16", Lock
7	06-4702-4		Gasket, 10", Round Back
8	10-2985-9		Screw, 1/4-20 x 3/4", Hex, Gr. 5
9	11-0046-0		Decal, "Grease"
10	11-0349-8		Gear, Pin, 10"

Ref.	Original Part No.	Substitute Part No.	Description
11	11-0362-1		Gear, 10", Encoder Drive, Pltd
12	11-0470-2		Zerk, 5/16", Drive-In
13	11-2249-8		Riser, Internal, 10", S.S.
14	11-2250-6		Elbow Weldment, 10" Pivot
15	11-2251-4		Riser Weldment, 10"
16	11-6419-3		Screw, 5/8" x 3-1/2", Sckt. Hd, Ptd
17	11-6661-0		Riser Weldment, 10", Mid-Size
18	12-9351-0		Mount, 10" Encoder
19	13-9490-0		Panel, Assy, Encoder. Mag. Drive



# Pivot Points

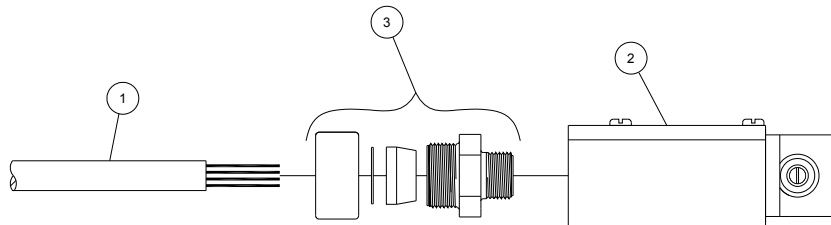
## Auto-Reverse w/Stop, 10"



**NOTE:** See item 13 for complete kit number.

Ref.	Original Part No.	Substitute Part No.	Description
1	03-1003-7		Switch Assembly, Auto-Reverse/Stop, S.S.
2	04-1014-2		Mount, Auto Shutdown
3	04-7684-6		Actuator, Switch, Auto-Reverse/Stop
4	06-0804-2		Screw, 1/2-13 x 1-1/4", Hex, Gr. 5
5	06-0846-3		Screw, #10-32 x 1/2", Sl. Pn. Hd.
6	06-2418-9		Nut, 1/2-13, Lock
7	06-2434-6		Screw, 1/4-20 x 1/2", Hex
8	06-4369-2		Actuator, Switch, Wire Rod
9	09-7608-4		Term., Wire, B, #16-14
10	09-8928-5		Wire, Elec, 16 TEW, Red
11	09-9211-5		Term., Slip-On, 16-14-1/4" Ful. Ins
12	09-9232-1		Switch, Toggle, SPST
13	10-1233-5		Kit, Switch, Auto-Reverse w/Stop, 10"

## Switch Assembly, 03-1003-7

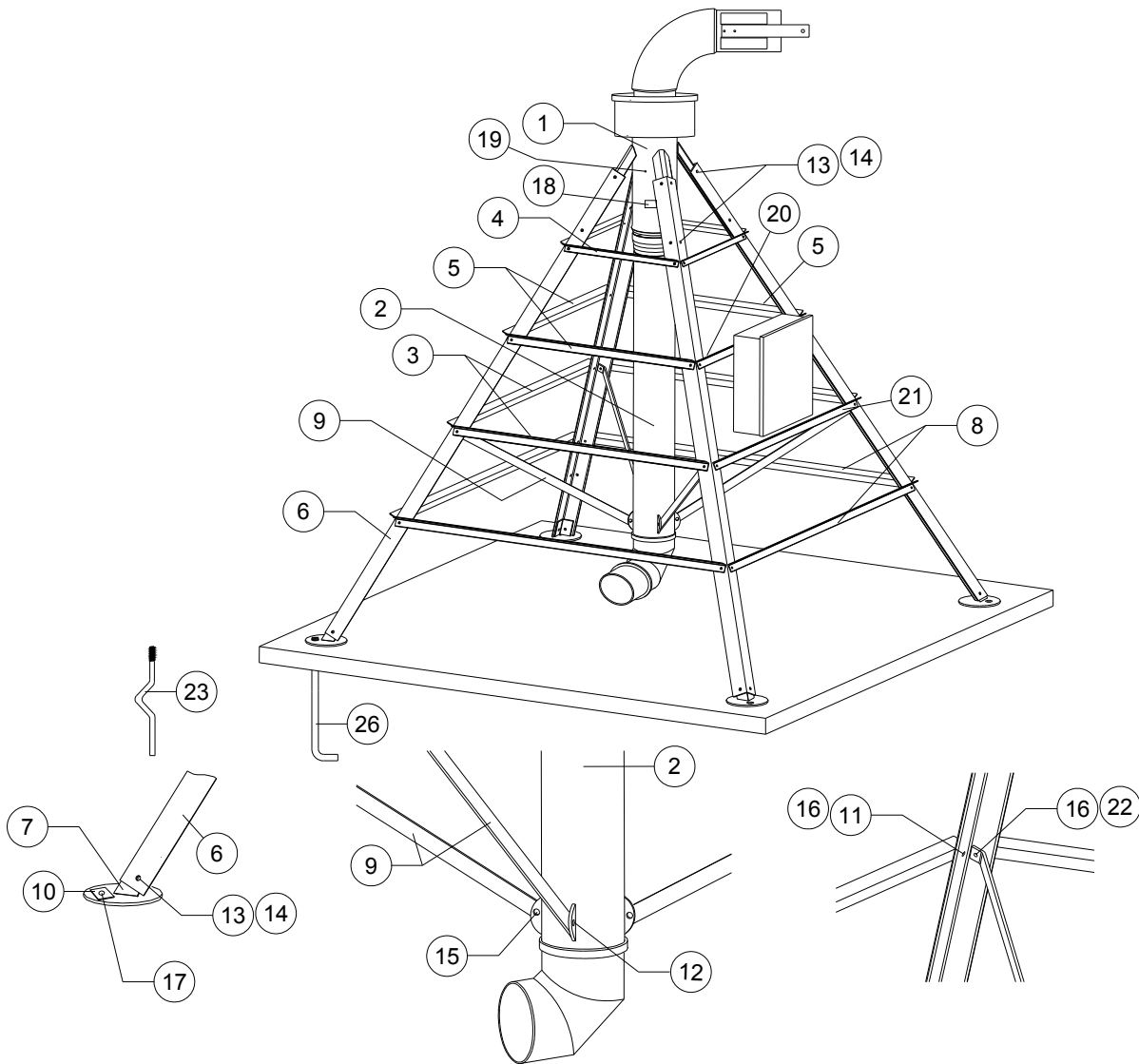


Ref.	Original Part No.	Substitute Part No.	Description
1	03-1036-7		Cable, Electric, 4#14, 6#18, 8'
2	09-9357-6		Switch, Limit, Side Rot, D.P.
3	11-2836-2		Connector, 3/4" w/o Nut



# Pivot Points

Heavy Duty Non-Tow, 8-5/8", 8", 6-5/8", 5-9/16"



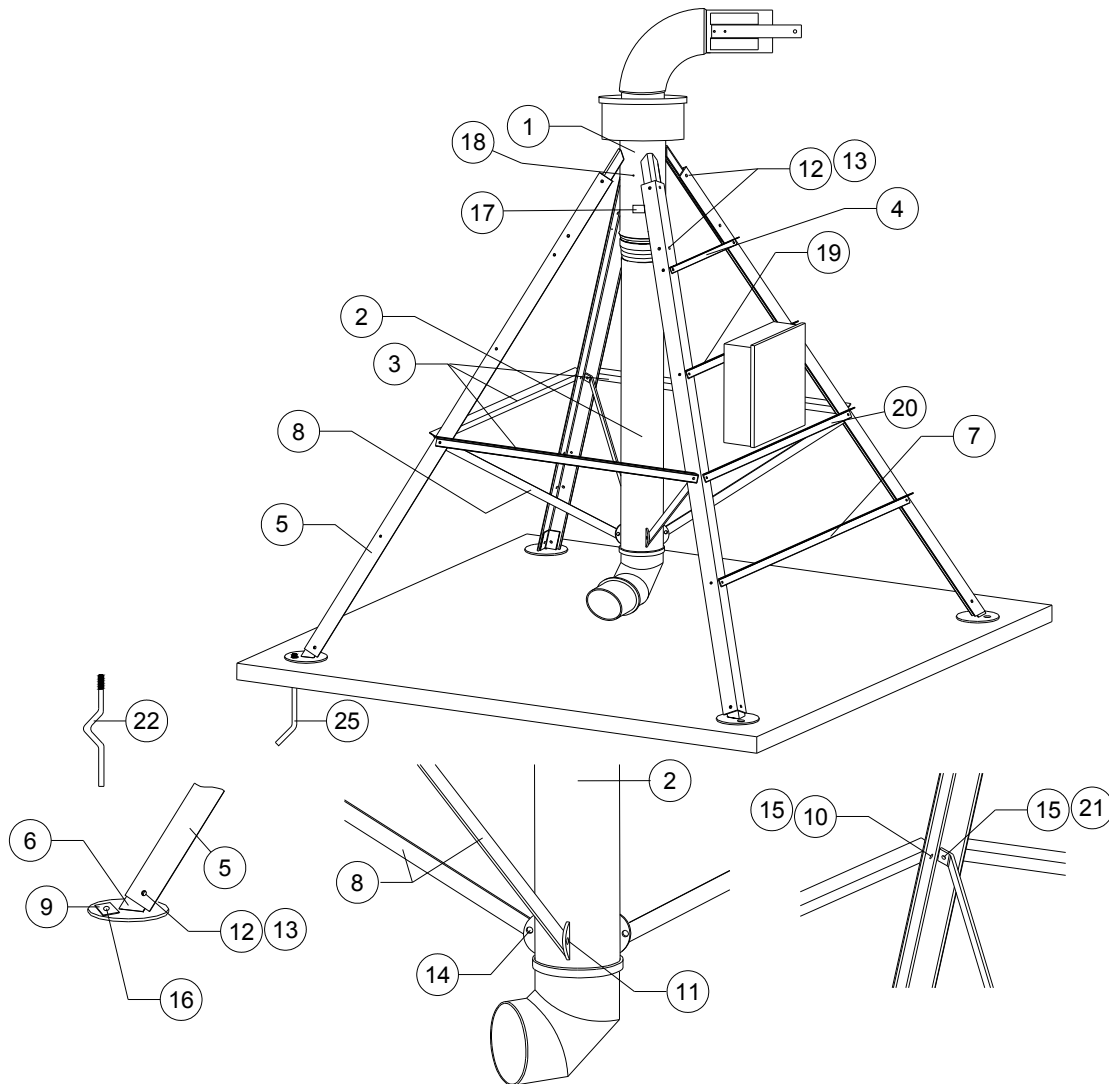
Ref.	Original Part No.	Substitute Part No.	Description
1	03-0030-1		Head Weldment, Pivot
2	03-0070-7		Riser Weldment, Pivot
3	03-0810-6		Tie, Pivot, 2nd From Bottom
4	03-0830-4		Tie, Pivot, Top
5	03-1110-0		Brace, Truss Side, 51-1/2"
6	03-4600-7		Leg, Heavy Duty, Pivot, 11'
7	03-4772-4		Anchor Weld., Pivot, Non-Tow
8	03-6939-7		Tie, Pivot Bottom, 92"
9	04-0063-0		Strap, Pivot Riser
10	04-4775-5		Washer, Rect., 15/16" x 2-1/2 x 3"
11	06-0804-2		Screw, 1/2-13 x 1-1/4", Hex, Gr.5
12	06-0809-1		Screw, 3/4-10 x 2", Hex, Gr.5
13	06-0839-8		Screw, 5/8-11 x 1-1/2", Hex, Gr. 5
14	06-2416-3		Nut, 5/8-11, Lock

Ref.	Original Part No.	Substitute Part No.	Description
15	06-2417-1		Nut, 3/4-10, Lock
16	06-2418-9		Nut, 1/2-13, Lock
17	11-0024-7		Nut, 7/8-9, Lock, Nylon Insert
18	11-0046-0		Decal, "Grease"
19	11-0470-2		Zerk, 5/16", Drive-In
20	11-9461-0		Tie, Pivot, Panel Mount, Top
21	11-9462-0		Tie, Pivot, Panel Mount, Bottom
22	26-0760-4		Screw, 1/2-13 x 1-1/2", Hex, Gr. 5
23	03-4776-5		Bolt, Pivot Anchor, Non-Tow (Opt)
24	03-4797-1		Bundle, Pivot, Galvanized (includes Items 3, 4, 8, 9, 20 & 21)
25	03-4799-7		Bundle, Pivot Tie, 3 Sides (includes 3 of Items 4, 5, & 8)
26	10-3576-5		Bolt, Pivot Anchor, 1-1/4"



# Pivot Points

Non-Tow, 6-5/8", 5-9/16"



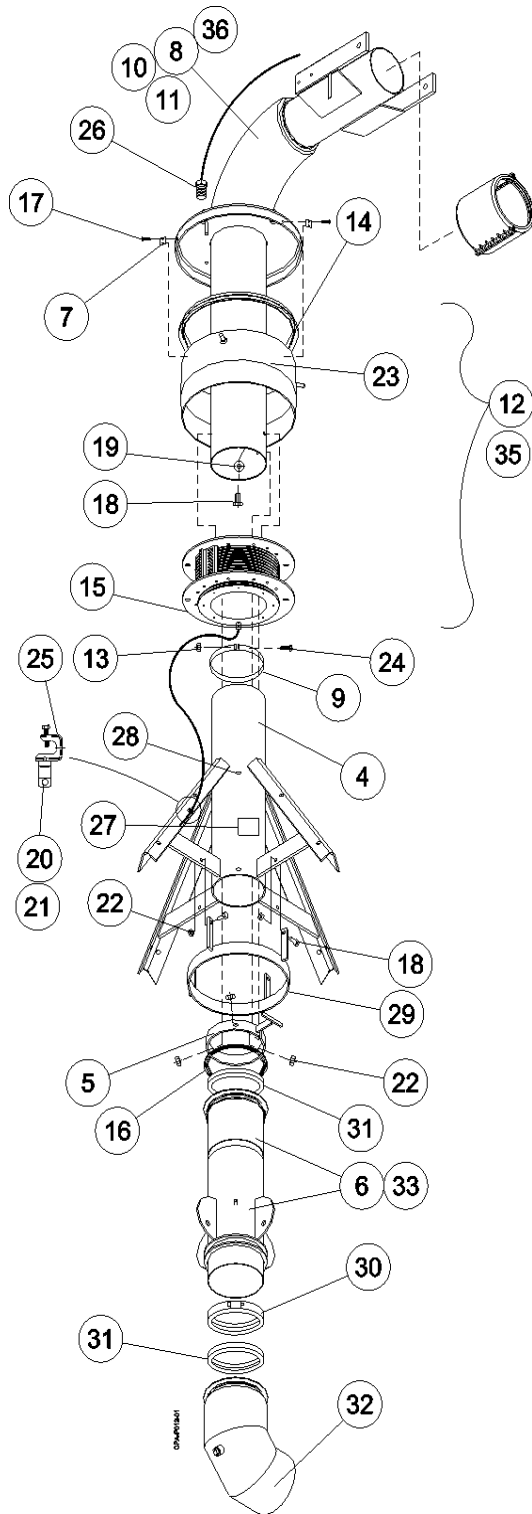
Ref.	Original Part No.	Substitute Part No.	Description
1	03-0030-1		Head Weldment, Pivot
2	03-0070-7		Riser Weldment, Pivot
3	03-0810-6		Tie, Pivot, 2nd From Bottom
4	03-0830-4		Tie, Pivot, Top, 31-5/16"
5	03-2431-9		Leg, Pivot, 11'
6	03-4772-4		Anchor Weld., Pivot, Non-Tow
7	03-6939-7		Tie, Pivot Bottom, 92"
8	04-0063-0		Strap, Pivot Riser
9	04-4775-5		Washer, Rect., 15/16" x 2-1/2 x 3"
10	06-0804-2		Screw, 1/2-13 x 1-1/4", Hex, Gr. 5
11	06-0809-1		Screw, 3/4-10 x 2", Hex, Gr. 5
12	06-0839-8		Screw, 5/8-11 x 1-1/2", Hex, Gr. 5
13	06-2416-3		Nut, 5/8-11, Lock
14	06-2417-1		Nut, 3/4-10, Lock
15	06-2418-9		Nut, 1/2-13, Lock

Ref.	Original Part No.	Substitute Part No.	Description
16	11-0024-7		Nut, 7/8-9, Lock, Nylon Insert
17	11-0046-0		Decal, "Grease"
18	11-0470-2		Zerk, 5/16", Drive-In
19	11-9461-0		Tie, Pivot, Panel Mount, Top
20	11-9462-0		Tie, Pivot, Panel Mount, Bottom
21	26-0760-4		Screw, 1/2-13 x 1-1/2", Hex, Gr. 5
22	03-4776-5		Bolt, Pivot Anchor, Non-Tow (Opt)
23	03-4849-0		Kit, Non-Tow, Pivot, Anchor (Includes Items 6, 9 12 & 13)
24	03-4797-1		Bundle, Pivot, Galvanized (includes Items 3, 4, 7, 8, 19 & 20)
25	13-5993-0		Bolt, Pivot Anchor, Non-Tow
26	13-9184-0		Kit, Hardware Foot (Includes 8 of Items 12 & 13)



# Pivot Points

## Elbow Section, 8-5/8", 8", 6-5/8", 5-9/16"



**NOTE:** Refer to page E-23 for split couplers.

Ref.	Original Part No.	Substitute Part No.	Description
1			Coupler, 6-5/8", Split
2			Coupler, 5-9/16", Split
3			Coupler, 8", Split
4	03-0030-1		Head Weldment, Pivot
5	04-0058-0		Bracket, Automatic Shutdown
6	03-0070-7		Riser Weldment, Pivot
7	03-0860-1		Bracket, Collector Ring Shield Holder
8	03-0920-3		Elbow Weldment, Pivot, 6-5/8"
9	03-4865-6		Band, Collector Ring
10	03-6828-2		Elbow Weldment, Pivot, 5-9/16"
11	03-6837-3		Elbow Weldment, Pivot, 8"
12	03-7989-1		Ring Assy, Collector
13	06-0120-3		Nut, 3/8-16, Hex
14	06-0200-3		Gasket, Collector Ring, Top
15	06-0210-2		Gasket, Collector Ring, Bottom
16	06-0794-5		Gasket, Deflector, 8"
17	06-0800-0		Screw, 5/16-18 x 3/8", Hex
18	06-0804-2		Screw, 1/2-13 x 1-1/4", Hex, Gr. 5
19	06-0820-8		Washer, 1/2", Rubber Seal
20	06-0841-4		Nut, 1/4-20, Hex
21	06-1580-7	11-8405-0	Screw, 1/4-20 x 1, Hex, Stainless Steel
22	06-2418-9		Nut, 1/2-13, Lock
23	06-3091-3		Shield, Collector Ring
24	06-3658-9		Screw, 3/8-16 x 2-1/4", Hex, Gr.5
25	06-3890-8		Clamp, Conduit Support, 1/2"
26	09-0838-4		Connector, 3/4", w/Nut, .7-8" Dia.
27	11-0046-0		Decal, "Grease"
28	11-0470-2	Note 2	Zerk, 5/16", Drive-In
29	11-3279-4	Note 1	Ring, Shutdown Clamp
30	66-0640-4		Clamp, Ringlock, 8" Steel Coupler
31	66-1070-3		Gasket, Round Back
32	66-2249-2		Elbow, Steel, 8" x 90°
33	11-6659-4		Riser Weldment, 8", Mid-Size
34	11-7301-2	Note 2	Tool, 5/16" Drive-in Zerk (not shown)
35	14-8496-0		Ring Assy, Coll., 10 Wire, CE
36	15-1028-0		Elbow, Weldment, Pivot, 8-5/8"

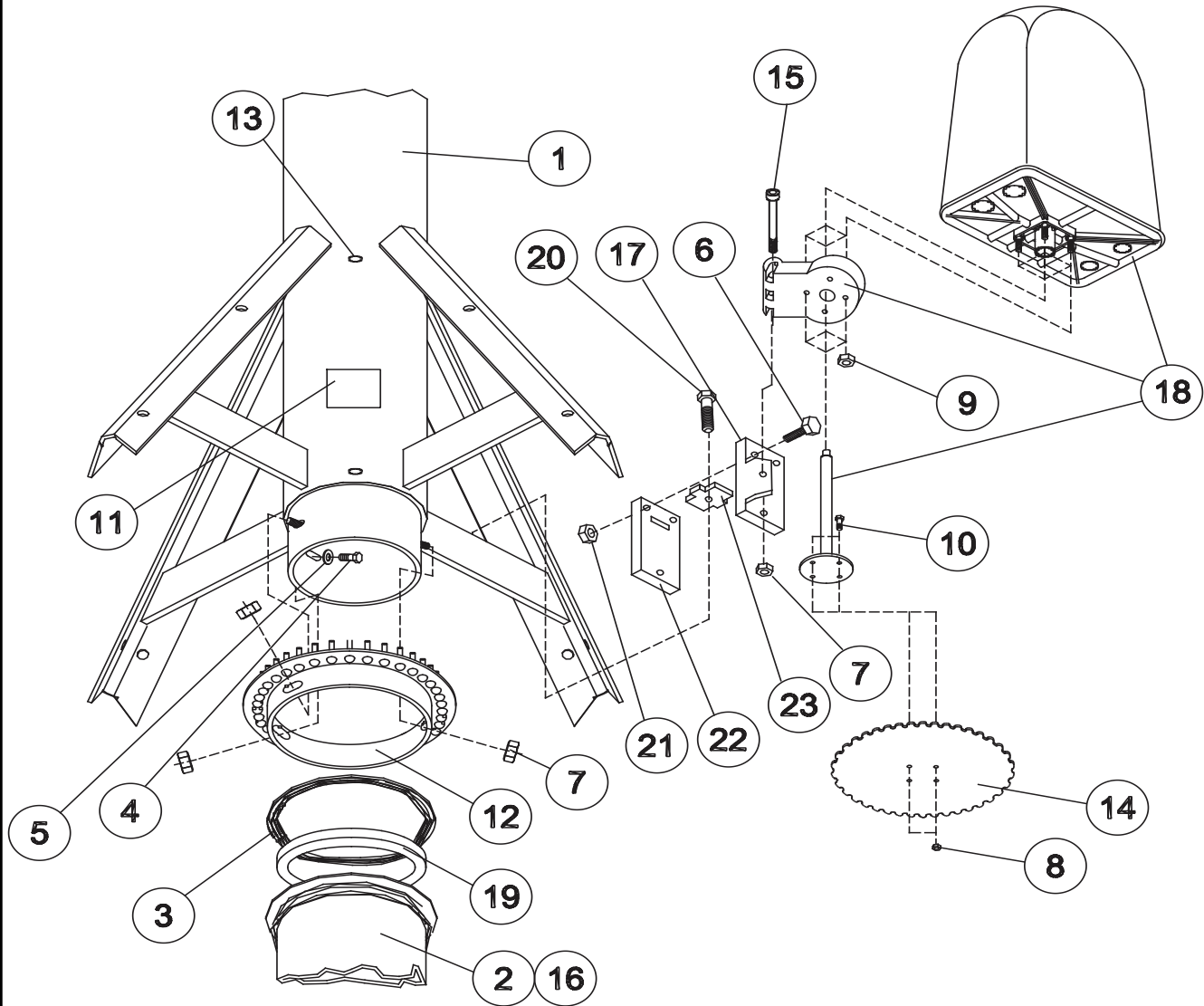
**NOTE 1:** 11-3279-4 is required when pivot application requires auto-reverse or stop using kit 10-0233-6.

**NOTE 2:** Should it become necessary to replace grease zerk 11-0470-2 (Item 28), the portion outside the pipe can be sheared off with a chisel. Drill out the hole using a 5/16" drill bit. Installing the new zerk requires a special tool. This tool is available under Part #11-7301-2 (Item 34).



# Pivot Points

## Encoder Ass'y, 5-9/16" to 8-5/8"



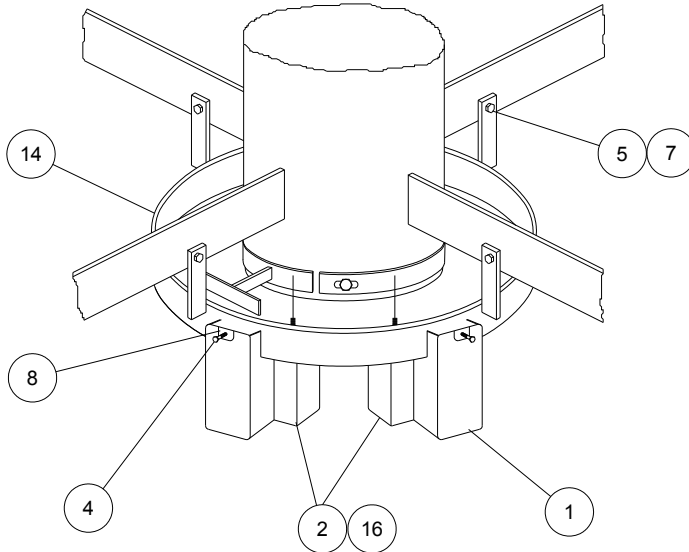
Ref.	Part No.	Description
1	0300301	Head Weldment, Pivot
2	0300707	Riser Weldment, Pivot
3	0607945	Gasket, Deflector
4	0608042	Screw, 1/2-13 x 1-1/4", Hex, Gr. 5
5	0608208	Washer, 1/2", Rubber Seal
6	0608034	Screw, 3/8-16 x 1-1/2", Hex, Gr. 5
7	0624189	Nut, 1/2-13, Lock
8	0642678	Nut, 1/4-20, Lock, Nylon Insert
9	0643643	Nut, 5/16-18, Lock
10	1029859	Screw, 1/4-20 x 3/4", Hex, Gr. 5
11	1100460	Decal, Grease

12	1103340	Gear, Pin, 8"
13	1104702	Zerk, 5/16", Drive In
14	1160159	Gear, 8", 12 Gauge
15	1164193	Screw, 1/2-13 x 1", 5/8" Shoulder
16	1166594	Riser Weldment, 8", Mid-Size
17	1607408	Bracket, Encoder, Front
18	1394900	Encoder Ass'y, Mag Drive.
19	6610703	Gasket, Round Back
20	1608865	Screw, 5/16-18 x 2", Hex, Gr. 5
21	0622282	Nut, 3/8-16, Lock, Nylon Insert
22	1603500	Bracket, Encoder, Back
23	1603499	Bracket, Encoder, Jack



# Pivot Points

## Auto-Reverse w/Stop, 8"



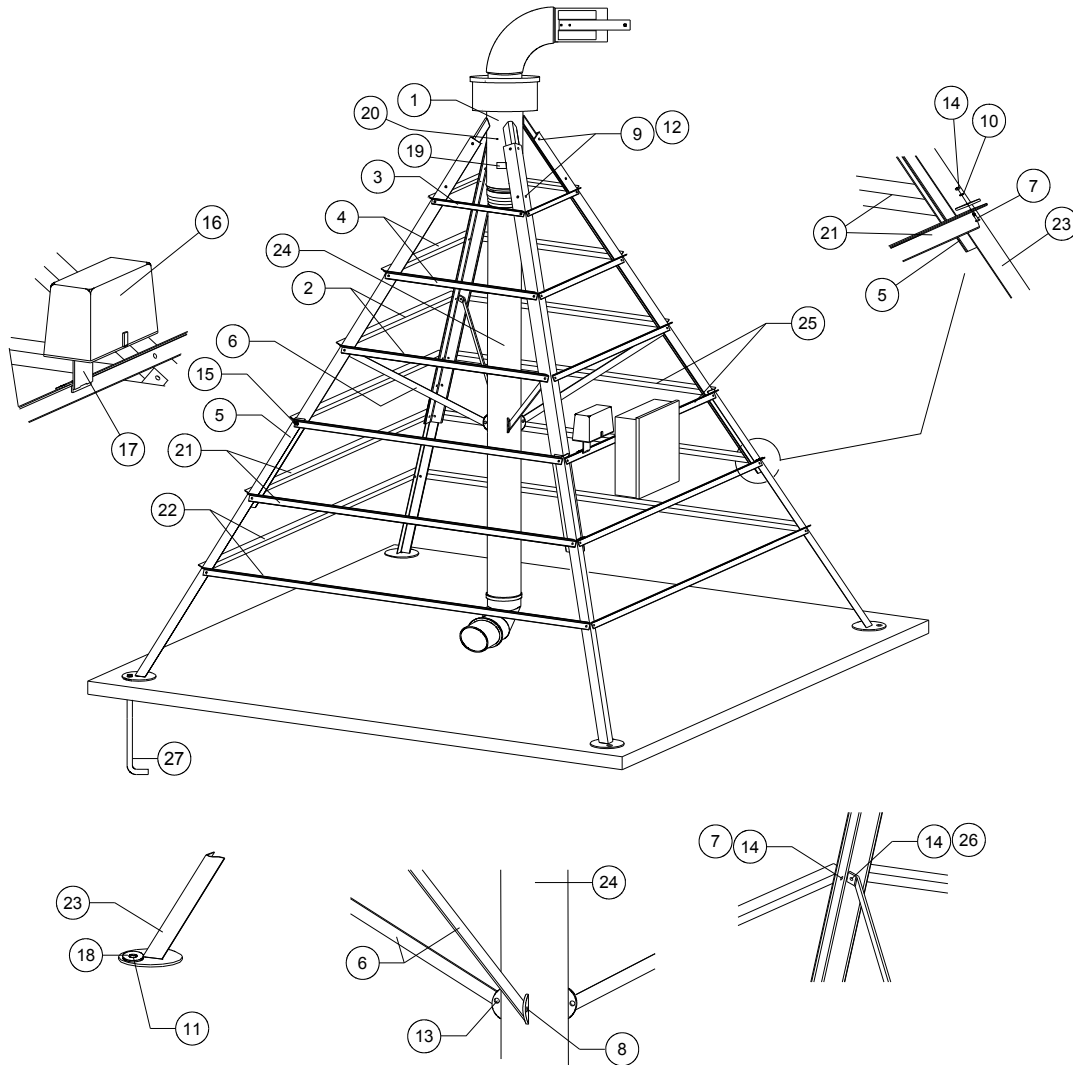
**NOTE:** See items 17-19 for complete kit numbers.

Ref.	Original Part No.	Substitute Part No.	Description
1	03-2641-3		Mount, Auto Shutdown
2	03-4698-1		Switch Assembly
3	06-0090-8		Nut, #10-24
4	06-0803-4		Screw, 3/8-16 x 1-1/2", Hex, Gr. 5
5	06-0804-2		Screw, 1/2-13 x 1-1/4", Hex, Gr. 5
6	06-1840-5		Screw, #10-24 x 1/2", Sl. Pn. Hd.
7	06-2418-9		Nut, 1/2-13, Lock
8	06-2430-4		Fastener
9	06-4339-5		Screw, #10-24 x 2", Sl. Rnd. Hd.
10	09-7608-4		Term., Wire, B, #16-14
11	09-8928-5		Wire, Elec, 16 TEW, Red
12	09-9211-5		Term., Slip-On, 16-14-1/4" Ful. Ins
13	09-9232-1		Switch, Toggle, SPST
14	11-3279-4		Ring, Shutdown Clamp, 8" Pivot
15	11-7398-8		Terminal, Tubular, 16 AWG (CE Kit)
16	12-7229-0		Switch Assembly (For Mid-Size and Tall Pivots)
17	10-0233-6		Kit, Switch, Auto-Reverse w/Stop, 8"
18	11-7330-1		Kit, Switch, Auto-Reverse w/Stop, 8", CE
19	12-7248-0		Kit, Switch, Auto-Reverse w/Stop, Mid-Size and Tall Pivots



# Pivot Points

Non-Tow, Mid-Size, 8-5/8", 8", 6-5/8", 5-9/16"



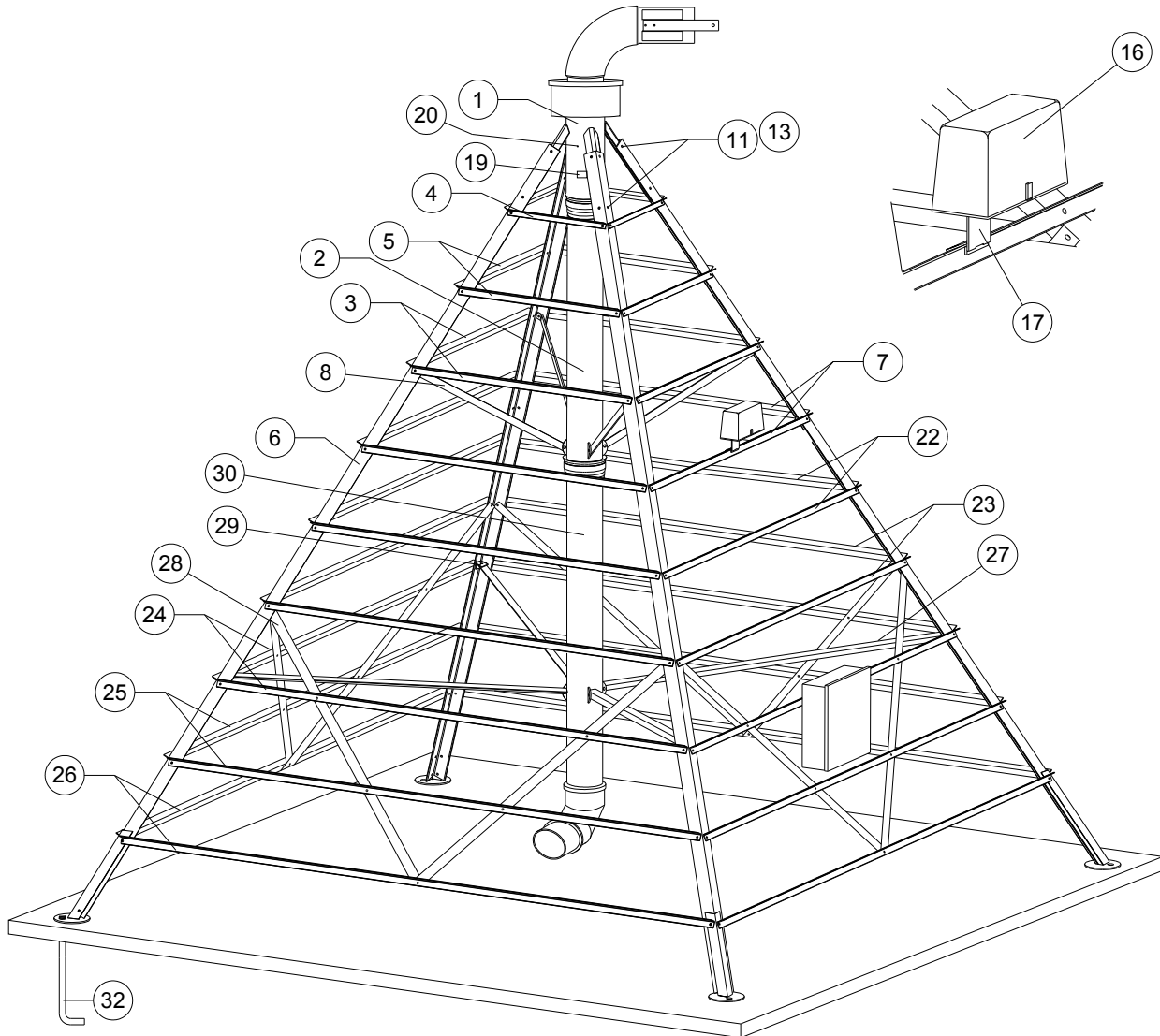
Ref.	Original Part No.	Substitute Part No.	Description
1	03-0030-1		Head Weldment, Pivot
2	03-0810-6		Tie, Pivot, 71-11/16"
3	03-0830-4		Tie, Pivot, Top, 31-5/16"
4	03-1110-0		Brace, Truss Side, 51-1/2"
5	03-4600-7		Leg, Heavy Duty, Pivot, 11'
6	04-0063-0		Strap, Pivot Riser
7	06-0804-2		Screw, 1/2-13 x 1-1/4", Hex, Gr. 5
8	06-0809-1		Screw, 3/4-10 x 2", Hex, Gr. 5
9	06-0839-8		Screw, 5/8-11 x 1-1/2", Hex, Gr. 5
10	06-0843-0		Washer, Flat, 1/2"
11	06-2258-9		Nut, 1-1/4-7", Hex
12	06-2416-3		Nut, 5/8-11, Lock
13	06-2417-1		Nut, 3/4-10, Lock
14	06-2418-9		Nut, 1/2-13, Lock
15	06-3423-8		Screw, 1/2-13 x 1-3/4", Hex, Gr. 5
16	10-0935-6		Panel, Junction

Ref.	Original Part No.	Substitute Part No.	Description
17	10-0942-2		Mount Weld., Transmitter Panel
18	10-8627-1		Washer, Flat, 1-1/4"
19	11-0046-0		Decal, "Grease"
20	11-0470-2		Zerk, 5/16", Drive-In
21	11-6553-9		Brace, Truss Side, 112-1/16"
22	11-6554-7		Brace, Truss Side, 131-5/8"
23	11-6657-8		Leg, Mid-Size Weldment, 63'
24	11-6659-4		Riser Weldment, 8" Mid-Size
25	12-0897-0		Brace, Truss, Side, 92"
26	26-0760-4		Screw, 1/2-13 x 1-1/2", Hex, Gr. 5
27	10-3576-5		Bolt, Pivot Anchor, 1-1/4"
28	03-4799-7		Bundle, Pivot Tie, 3 Sides (includes 3 of Items 4, 5 & 7)
29	12-0898-0		Bundle, Pivot, Mid-Size (Includes 4 of Items 2, 3, 4, 6 & 25)



# Pivot Points

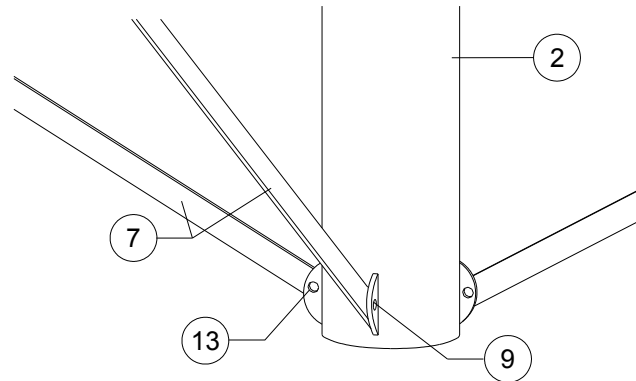
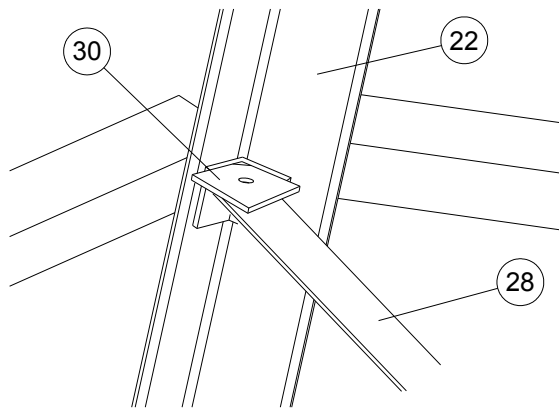
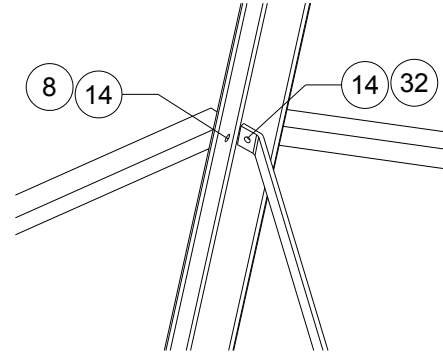
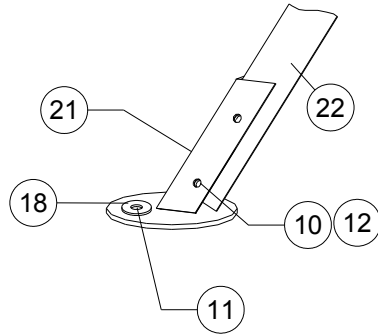
Non-Tow, Tall, 8-5/8", 8", 6-5/8", 5-9/16"





# Pivot Points

Non-Tow, Tall, 8-5/8", 8", 6-5/8", 5-9/16"



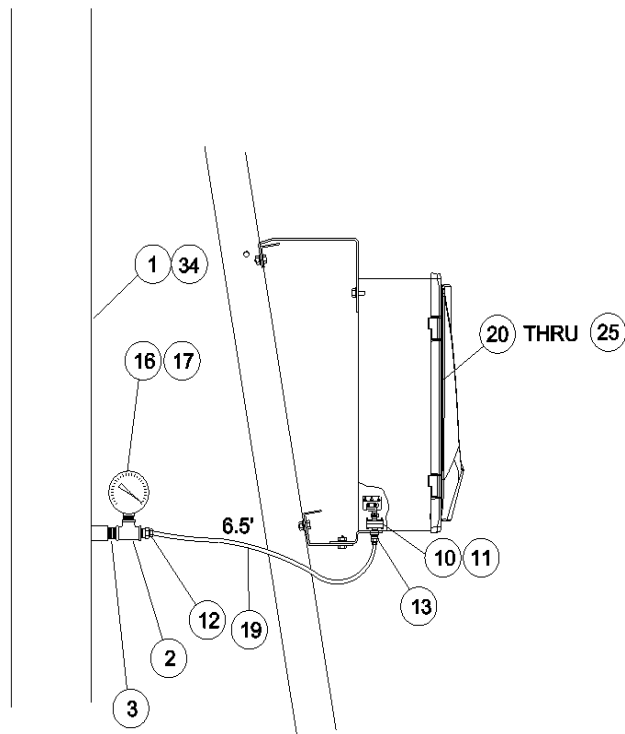
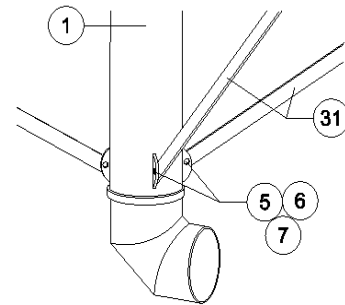
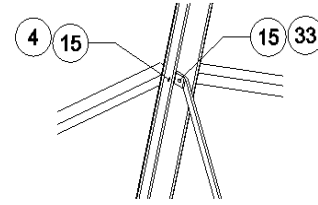
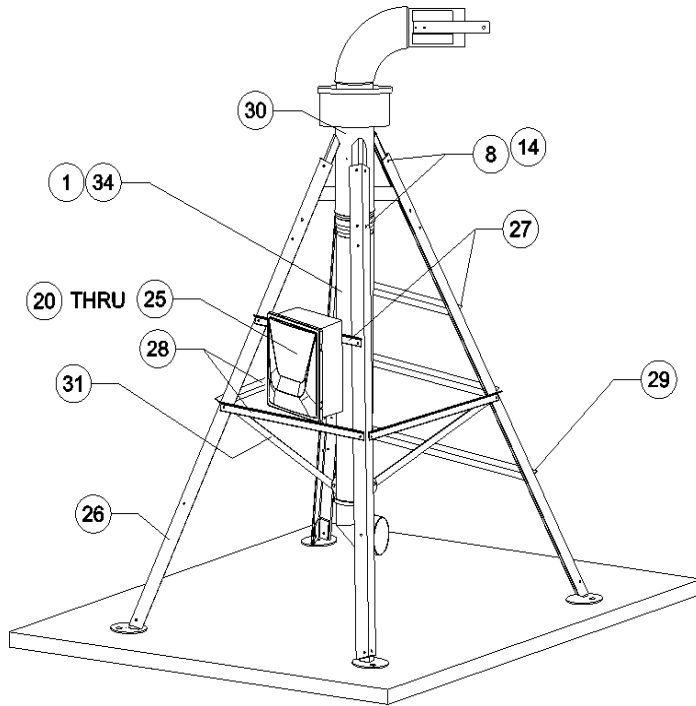
Ref.	Original Part No.	Substitute Part No.	Description
1	03-0030-1		Head Weldment, Pivot
2	03-0070-7		Riser Weldment, Pivot
3	03-0810-6		Tie, Pivot, 71-11/16"
4	03-0830-4		Tie, Pivot, Top, 31-5/16"
5	03-1110-0		Brace, Truss Side, 51-1/2"
6	03-6939-7		Tie, Pivot, 92"
7	04-0063-0		Strap, Pivot Riser
8	06-0804-2		Screw, 1/2-13 x 1-1/4", Hex, Gr. 5
9	06-0809-1		Screw, 3/4-10 x 2", Hex, Gr. 5
10	06-0839-8		Screw, 5/8-11 x 1-1/2", Hex, Gr. 5
11	06-2258-9		Nut, 1-1/4-7", Hex
12	06-2416-3		Nut, 5/8-11, Lock
13	06-2417-1		Nut, 3/4-10, Lock
14	06-2418-9		Nut, 1/2-13, Lock
15	10-0935-6		Panel, Junction
16	10-0942-2		Mount Weld., Transmitter Panel
17	10-3576-5		Bolt, Pivot Anchor, 1-1/4"
18	10-8627-1		Washer, Flat, 1-1/4"

Ref.	Original Part No.	Substitute Part No.	Description
19	11-0046-0		Decal, "Grease"
20	11-0470-2		Zerk, 5/16", Drive-In
21	11-0902-4		Anchor Weldment, Pivot, 10"
22	11-6321-1		Leg, Pivot, Tall, 20"
23	11-6553-9		Brace, Truss Side, 112-1/16"
24	11-6554-7		Brace, Truss Side, 131-5/8"
25	11-6555-4		Brace, Truss Side, 152"
26	11-6556-2		Brace, Truss Side, 172-5/8"
27	11-6557-0		Brace, Truss Side, 183"
28	11-6558-8		Tie, Cross, 97"
29	11-6559-6		Stabilizer, Lower, Side
30	11-6560-4		Bracket, Weld, Corner Support
31	11-6563-8		Riser, Weld, 8" Tall Pivot
32	26-0760-4		Screw, 1/2-13 x 1-1/2", Hex, Gr. 5
33	03-4799-7		Bundle, Pivot Tie, 3 Sides (includes 3 of Items 4, 5 & 6)



# Pivot Points

## Non-Tow, 6-5/8", 5-9/16", Compact Pivot





# Pivot Points

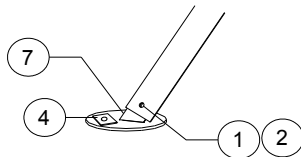
## Non-Tow, 6-5/8", 5-9/16", Compact Pivot

Ref.	Original Part No.	Substitute Part No.	Description
1	03-0070-7		Riser, Pivot
2	06-0649-1		Tee, Pipe, 1/4"
3	06-0652-5		Nipple Pipe, 1/4 x 2
4	06-0804-2		Screw, 1/2-13 x 1-1/4", Hex, Gr. 5
5	06-0809-1		Screw, 3/4-10 x 2", Hex, Gr. 5
6	06-0816-6		Washer, Lock, 3/4"
7	06-0826-5		Nut, 3/4-10, Hex
8	06-0839-8		Screw, 5/8-11 x 1-1/2", Hex, Gr. 5
9	06-0840-6		Bolt, 1/4-20 x 2-1/2, J
10	06-0841-4		Nut, 1/4-20, Hex
11	06-0842-2		Washer, Flat, 1/4"
12	06-0956-0		Connector, Hose, 1/4" x 1/4" MPT
13	06-2159-9		Connector, Hose, 1/4" x 1/8" MPT
14	06-2416-3		Nut, 5/8-11, Lock
15	06-2418-9		Nut, 1/2-13, Lock
16	06-3343-8		Gauge, Pres., Liq-Filled, 0-160
17	06-4715-6		Gauge, Pres., Liq-Filled, 0-100
18	10-3475-0		Panel, Mount, Top

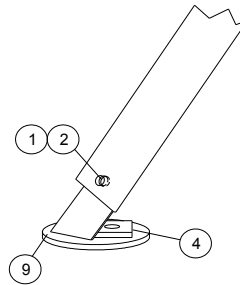
Ref.	Original Part No.	Substitute Part No.	Description
19	11-3531-8		Tubing, Plas., 1/4"OD x.040" Wall
20	16-0061-1		Panel, BOSS, 480 Volt
21	16-0066-1		Panel, BOSS, 380 Volt, CE
22	16-0057-4		Panel, BASIC, 480V
23	16-0062-9		Panel, BASIC, 380 Volt, CE
24	16-0058-0		Panel, VISION, 480V
25	16-0063-1		Panel, VISION, 380V, CE
26	13-5727-0		Leg, Pivot, 10"
27	13-5859-0		Brace, Truss Side, 40-1/2"
28	13-5860-0		Tie, Pivot, 2nd fm Bottom, 55-1/2"
29	13-5861-0		Tie, Truss, 70"
30	13-5725-0		Head Weldment, Pivot
31	13-5862-0		Strap, Pivot Riser
32	13-6473-0		Bracket, Panel Mount, Bottom
33	26-0760-4		Screw, 1/2-13 x 1-1/2", Hex, Gr. 5
34	13-5993-0		Bolt, Pivot Anchor, Non-Tow

## Foot Options, Compact Pivot

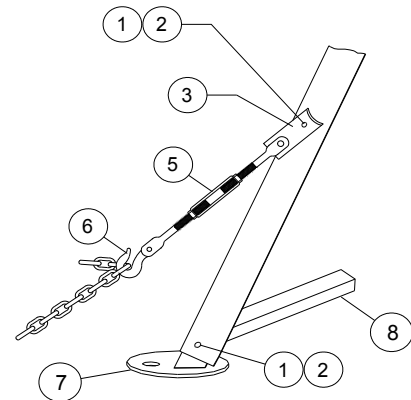
(Pivot foot not interchangeable with Gen II standard pivot point)



84.5" Spacing bolt pattern will fit standard Reinke pivot pad



78" Spacing bolt pattern will fit standard T & L pivot pad



Chain Tie Down Option

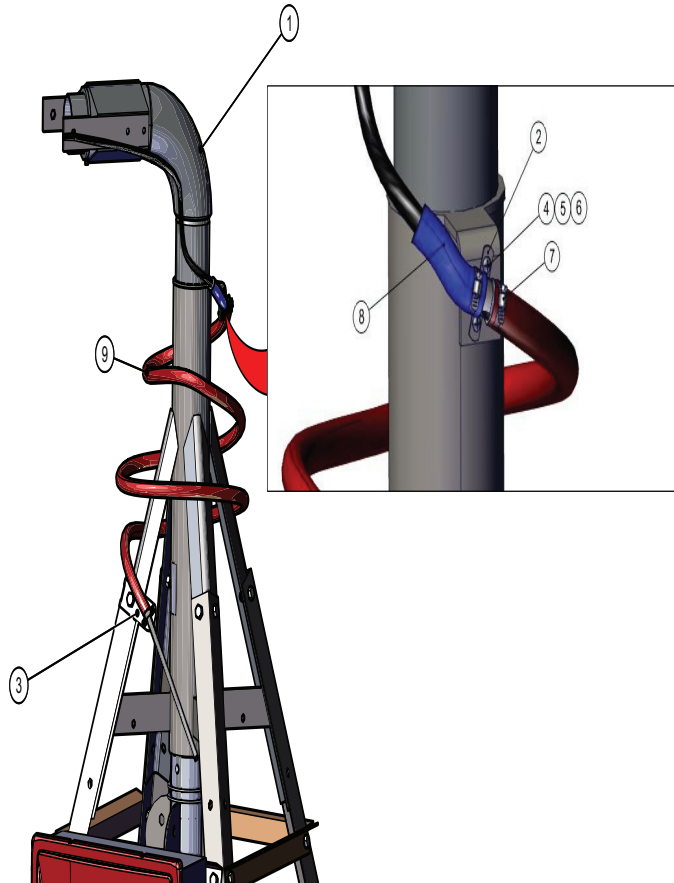
Ref.	Original Part No.	Substitute Part No.	Description
1	06-0839-8		Screw, 5/8-11 x 1-1/2", Hex, Gr. 5
2	06-2416-3		Nut, 5/8-11, Lock
3	04-2776-5		Bracket, Pivot Leg
4	04-4775-5		Washer, Rect., 15/16" x 2-1/2 x 3"
5	06-0011-4		Turnbuckle, 3/4 x 6 Clev. End, w/Pin

Ref.	Original Part No.	Substitute Part No.	Description
6	06-2382-7		Hook, Eye Grab, 1/2"
7	13-5807-0		Anchor, Pivot, Non-Tow
8	13-9497-0		Angle, Bottom, Pivot
9	13-9871-0		Anchor Weldment, Pivot



# Pivot Points

## No Collector Ring, Part Circle Pivots, 8500P & 7500P



### 8500P Part Circle

Ref.	Part No.	Description
1	1610934	Pivot Ell, Part Circle, 6-5/8"
2	1610429	Cable Clamp, Saddle, Cushioned
3	1610601	Bracket, Cable Clamp, Tower Leg
4	1611006	Screw, #12-24x5/8", Phil. Pan Hd, SS
5	1611007	Washer, #12, Lock, SS
6	1611009	Nut, #12-24, Hex, SS

### 7500P Part Circle

Ref.	Part No.	Description
1	1610616	Pivot Ell, Part Circle
2	1610429	Cable Clamp, Saddle, Cushioned
3	1610601	Bracket, Cable Clamp, Tower Leg
4	1611006	Screw, #12-24x5/8", Phil. Pan Hd, SS
5	1611007	Washer, #12, Lock, SS
6	1611009	Nut, #12-24, Hex, SS
7	1610811	Head Weldment, 5", Part Circle

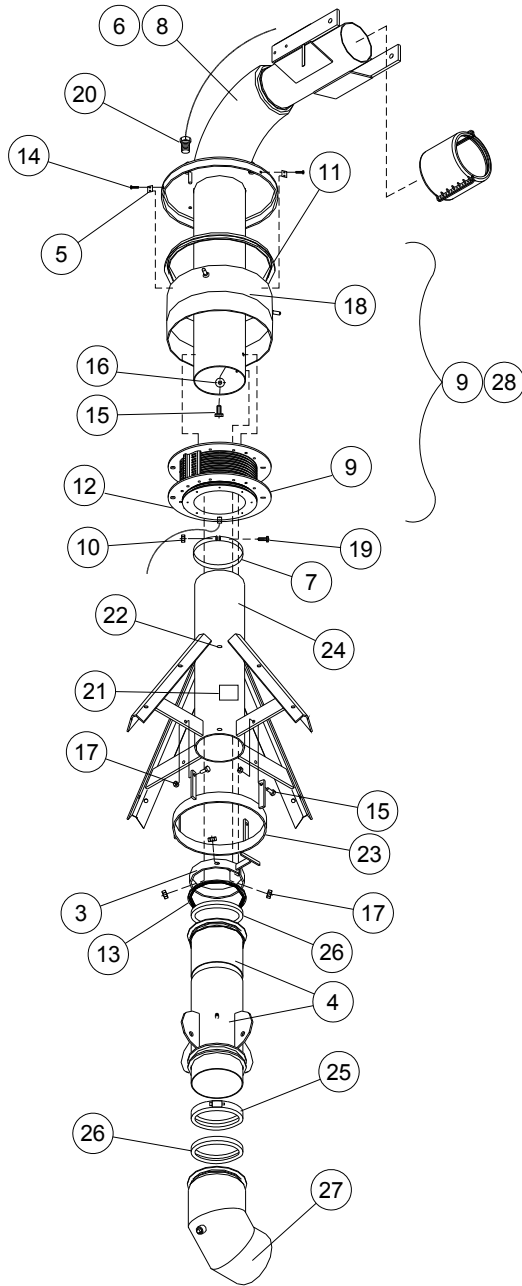
### Cables for Part Circle Pivot Points

Cable PN	Wire Gauge & Count	Span Length	Cable Length	1610902	12 AWG, 10 Wire	180' & 179'	208' 6"
				0369363	12 AWG, 10 Wire	168'	206' 6"
1610892	14 AWG, 10 Wire	201'	229' 6"	0369348	12 AWG, 10 Wire	160' & 157'	193'
0381368	14 AWG, 10 Wire	186' 8"	215'	0369298	12 AWG, 10 Wire	135'	162' 6"
1610893	14 AWG, 10 Wire	180' & 179'	208' 6"	1610916	12 AWG, 10 Wire	113'	141' 6"
0381350	14 AWG, 10 Wire	168'	206' 6"	1610917	10 AWG, 10 Wire	201'	229' 6"
0382376	14 AWG, 10 Wire	160' & 157'	193'	0369256	10 AWG, 10 Wire	186' 8"	215'
0381434	14 AWG, 10 Wire	135'	162' 6"	1610918	10 AWG, 10 Wire	180' & 179'	208' 6"
1610915	14 AWG, 10 Wire	113'	141' 6"	0369264	10 AWG, 10 Wire	168'	206' 6"
1610899	12 AWG, 10 Wire	201'	229' 6"	0369249	10 AWG, 10 Wire	160' & 157'	193'
0369355	12 AWG, 10 Wire	186' 8"	215'	0369199	10 AWG, 10 Wire	135'	162' 6"
1610902	12 AWG, 10 Wire	180' & 179'	208' 6"	1610919	10 AWG, 10 Wire	113'	141' 6"



# Pivot Points

## Elbow Section, 6-5/8", 5-9/16", Compact Pivot



**NOTE:** Refer to page E-23 for split couplers.

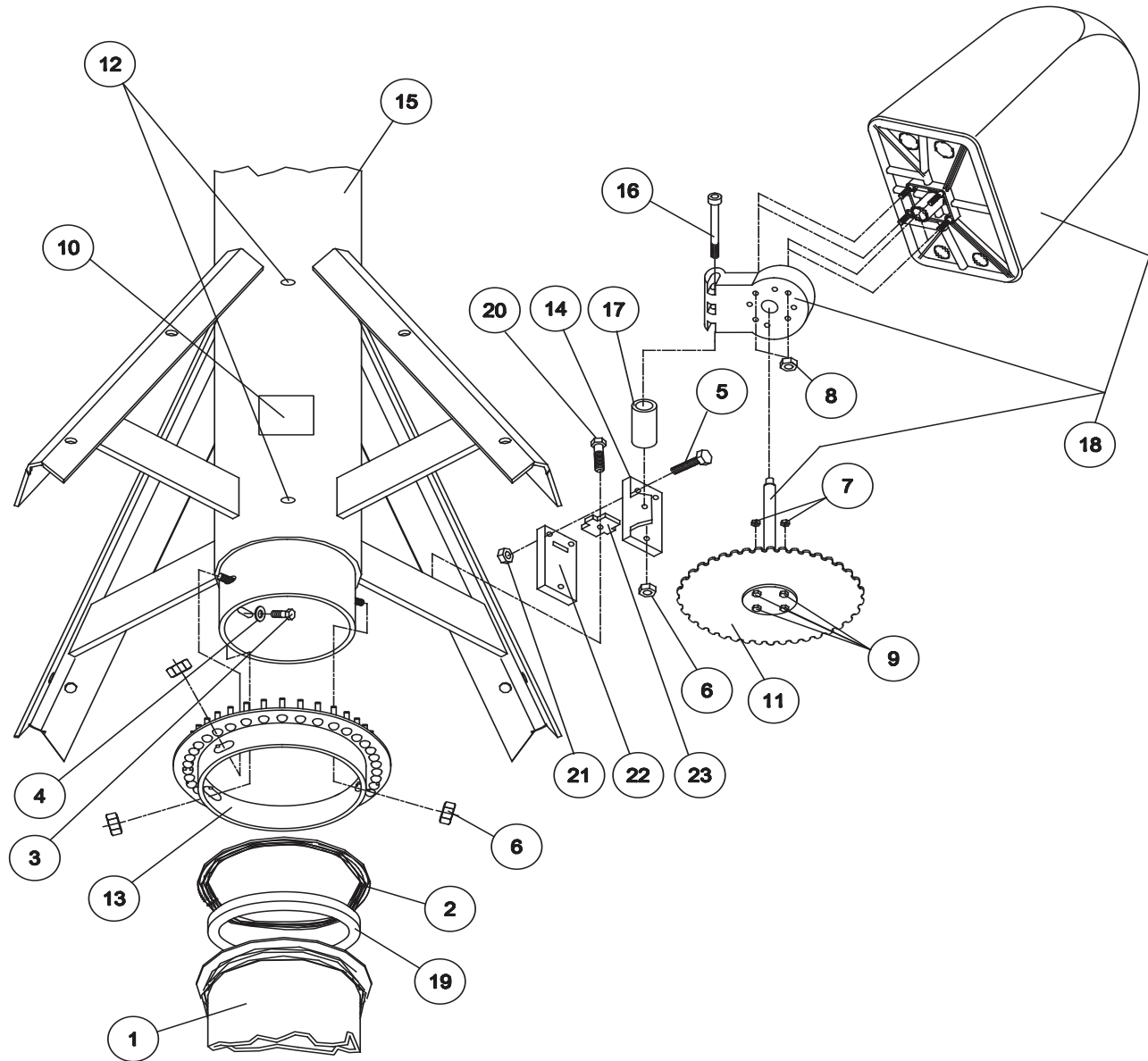
Ref.	Original Part No.	Substitute Part No.	Description
1			Coupler, 6-5/8", Split
2			Coupler, 5-9/16", Split
3	04-0058-0		Bracket, Automatic Shutdown
4	03-0070-7		Riser Weldment, Pivot
5	03-0860-1		Bracket, Collector Ring Shield Holder
6	03-0920-3		Elbow Weldment, Pivot, 6-5/8"
7	03-4865-6		Band, Collector Ring
8	03-6828-2		Elbow Weldment, Pivot, 5-9/16"
9	03-7989-1		Ring Assy, Collector
10	06-0120-3		Nut, 3/8-16, Hex
11	06-0200-3		Gasket, Collector Ring, Top
12	06-0210-2		Gasket, Collector Ring, Bottom
13	06-0794-5		Gasket, Deflector, 8"
14	06-0800-0		Screw, 5/16-18 x 3/8", Hex
15	06-0804-2		Screw, 1/2-13 x 1-1/4", Hex, Gr.5
16	06-0820-8		Washer, 1/2", Rubber Seal
17	06-2418-9		Nut, 1/2-13, Lock
18	06-3091-3		Shield, Collector Ring
19	06-3658-9		Screw, 3/8-16 x 2-1/4", Hex, Gr.5
20	09-0838-4		Connector, 3/4", w/Nut
21	11-0046-0		Decal, "Grease"
22	11-0470-2		Zerk, 5/16", Drive-In
23	11-3279-4		Ring, Shutdown Clamp
24	13-5725-0		Head Weldment, Pivot
25	66-0640-4		Clamp, Ringlock, 8" Steel Coupler
26	66-1070-3		Gasket, Round Back
27	66-2249-2		Elbow, Steel, 8" x 90°
28	14-8496-0		Ring Assy, Coll., 10 Wire, CE

**\*NOTE:** 11-3279-4 is required when pivot application requires auto-reverse or stop using kit #10-0233-6.



# Pivot Points

## Encoder Ass'y, Compact Pivot, 5-9/16" & 6-5/8"



Ref.	Part No.	Description
1	0300707	Riser Weldment, Pivot
2	0607945	Gasket, Deflector
3	0608042	Screw, 1/2-13 x 1-1/4", Hex, Gr. 5
4	0608208	Washer, 1/2", Rubber Seal
5	0608034	Screw, 3/8-16 x 1-1/2", Hex, Gr. 5
6	0624189	Nut, 1/2-13, Lock
7	0642678	Nut, 1/4-20, Lock, Nylon Insert
8	0643643	Nut, 5/16-18, Lock
9	1029859	Screw, 1/4-20 x 3/4", Hex, Gr. 5
10	1100460	Decal, Grease
11	1103621	Gear, 10", Encoder Drive
12	1104702	Zerk, 5/16", Drive In

13	1109511	Gear, Pin
14	1607408	Bracket, Encoder, Front
15	1357250	Head Weldment, Pivot
16	1367410	Screw, 1/2-13 x 1/2", 5/8" Shoulder
17	1369140	Spacer, Encoder
18	1434740	Encoder Ass'y, Mag Drive.
19	6610703	Gasket, Round Back
20	1608865	Screw, 5/16-18 x 2", Hex, Gr. 5
21	0622282	Nut, 3/8-16, Lock, Nylon Insert
22	1603500	Bracket, Encoder, Back
23	1603499	Bracket, Encoder, Jack

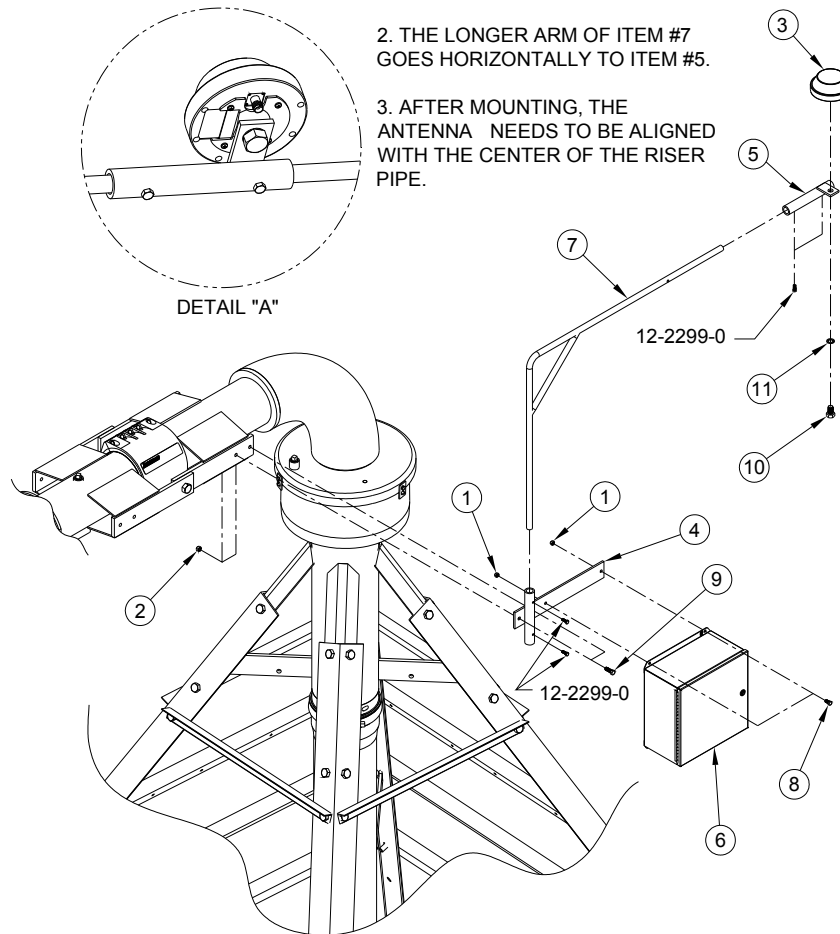


# Pivot Points

## GPS Guidance Hardware Installation

NOTES:

1. SEE DETAIL "A" FOR ANTENNA ALIGNMENT TO BRACKET.
2. THE LONGER ARM OF ITEM #7 GOES HORIZONTALLY TO ITEM #5.
3. AFTER MOUNTING, THE ANTENNA NEEDS TO BE ALIGNED WITH THE CENTER OF THE RISER PIPE.



Ref.	Part No.	Description
1	06-0262-3	Nut, 5/16-18, Lock, Nylon Inst. Zn
2	06-2420-5	Nut, 3/8-16, Lock, A563-Gr. A, Zn
3	14-7846-0 1601394	Antenna, A21L1, Crescent Antenna, A52 L1/L2, Crescent
4	14-8258-0	Weldment, GPS Corner, P.P. Mount
5	14-8338-0	Weldment, Antenna Position, GPS
6	14-8846-0 1602016	Panel, GPS, Corner, Base Panel, GPS Guidance, Base L1/L2
7	15-0287-0	Weldment, Riser Pipe, GPS Corner
8	15-0545-0	Bolt, HH 5/16-18 x 1"
9	10-7720-5	Bolt, HH 3/8-16 x 1-1/2"
10	15-0546-0	Bolt, HH 5/8-11 x 1"
11	06-0815-8	Washer, Lock 5/8"



# Pivot Points

## Pressure Switch Installation

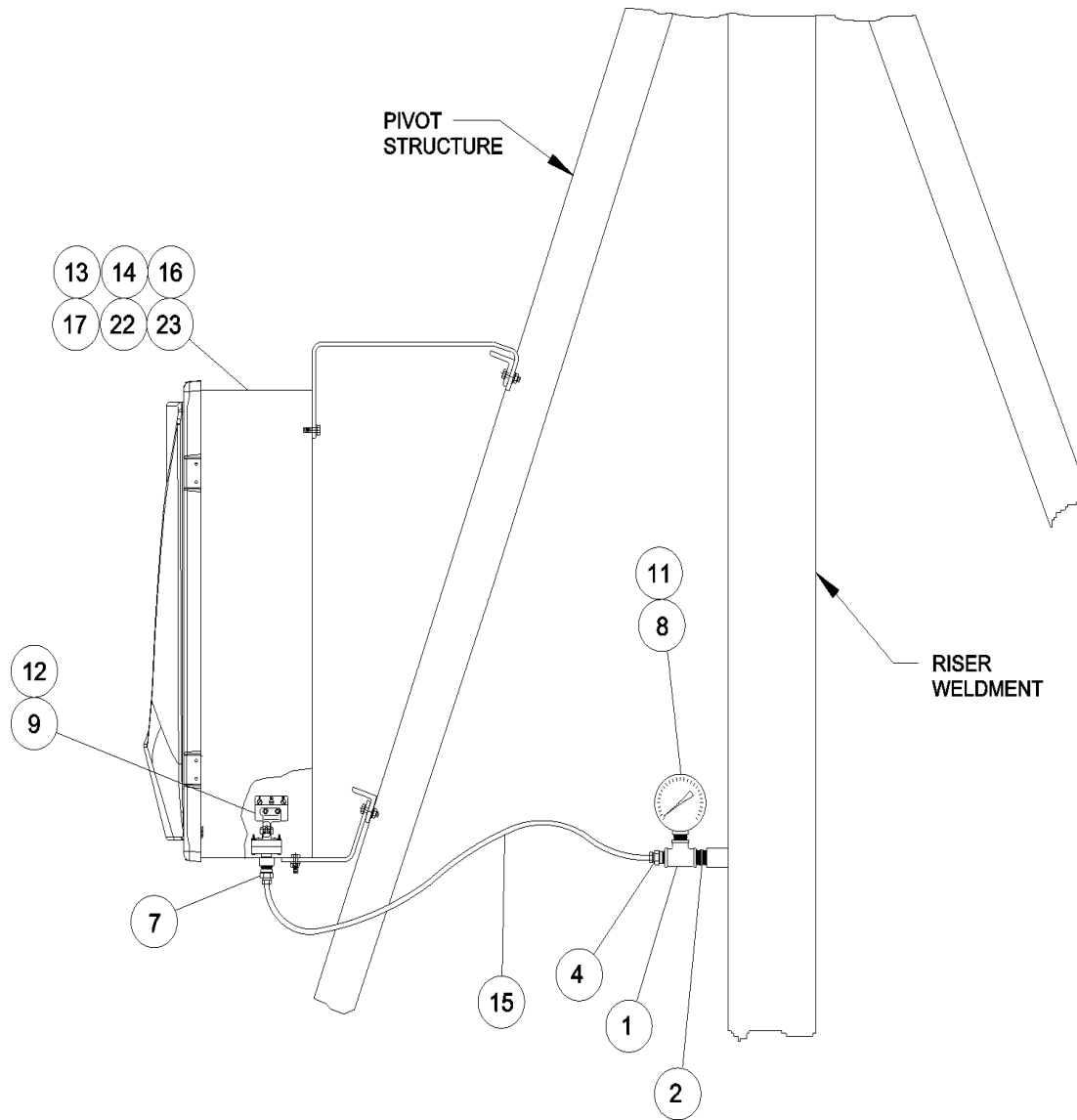


Figure A.1

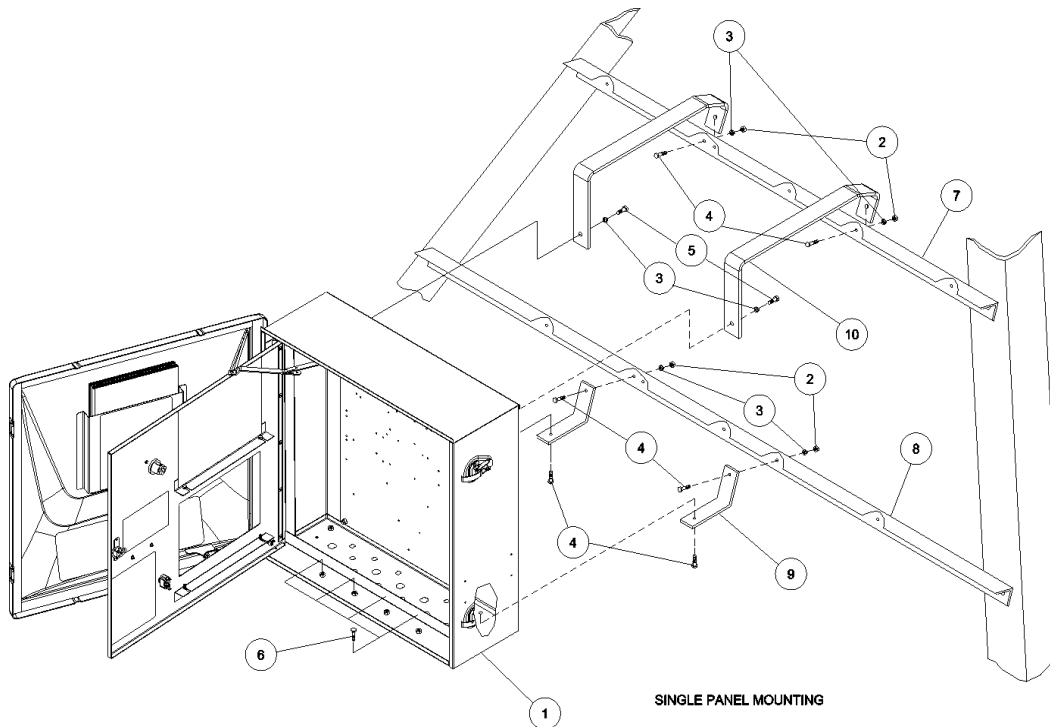
Ref.	Part No.	Description
1	6-0649-1	Tee, Pipe, 1/4"
2	6-0652-5	Nipple, Pipe, 1/4" x 2"
3		
4	6-0956-0	Connector Hose, 1/4" x 1/4"
5		
6		
7	6-2159-9	Connector Hose, 1/4" x 1/8"
8	6-4715-6	Gauge, Pressure, Liq-Fill, 0-100 PSI
9	9-7240-6	Switch, Pressure, 3.5-90 PSI
10		
11	11-3569-8	Gauge, Pressure, Liq-Fill, 0-30 PSI
12	11-3570-6	Switch, Pressure, 2-50 PSI

Ref.	Part No.	Description
13	16-0061-1	Panel, BOSS, 480 Volt
14	16-0066-1	Panel, BOSS, 380 Volt, CE
15	11-8335-7	Tubing, 1/4" OD, Nylon, 6'
16	16-0057-4	Panel, BASIC, 480 Volt
17	16-0062-9	Panel, BASIC, 380 Volt, CE
18		
19		
20		
21		
22	16-0058-0	Panel, VISION, 480V
23	16-0063-1	Panel, VISION, 380V, CE



# Pivot Points

## Single Panel Mounting



SINGLE PANEL MOUNTING

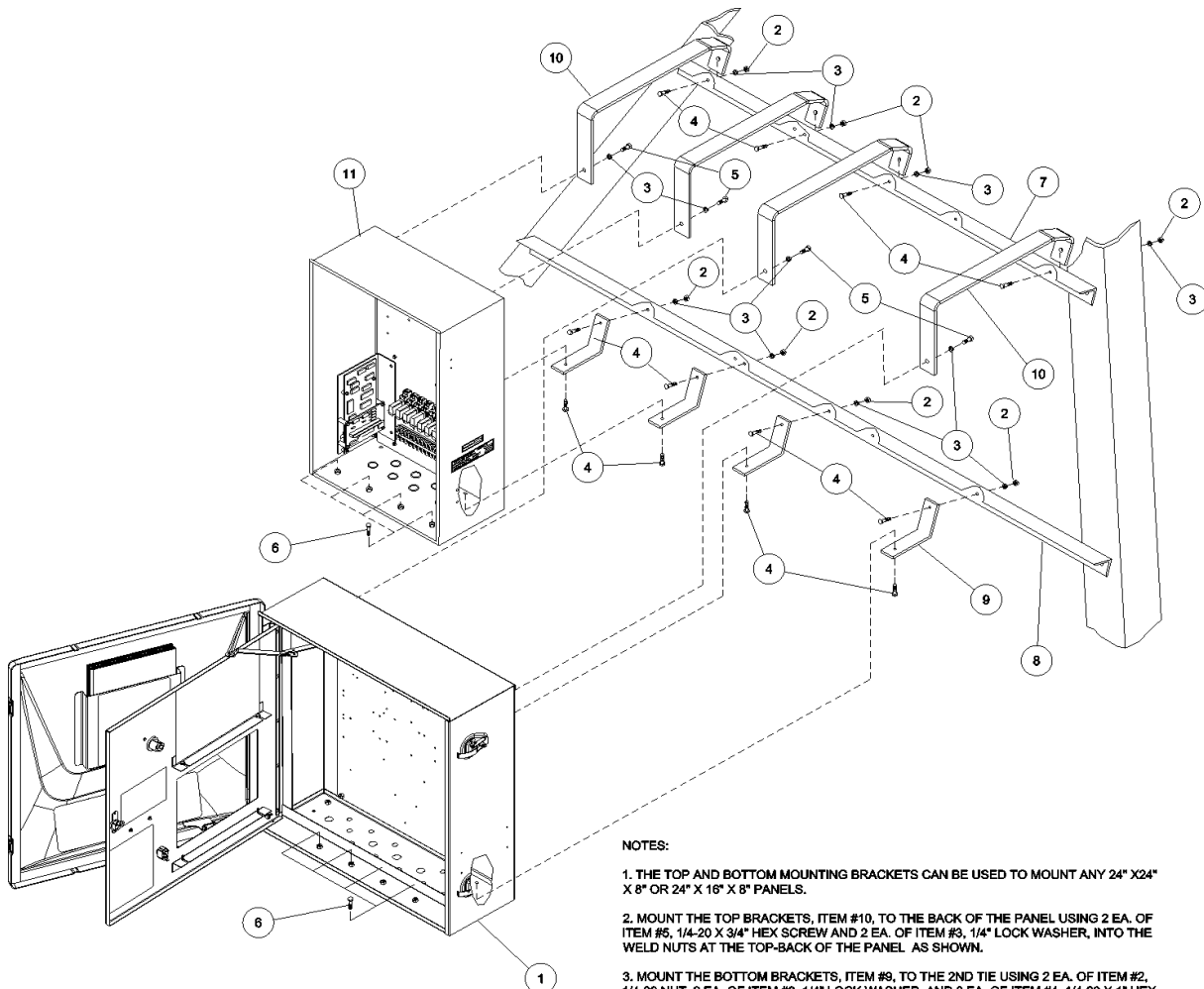
**NOTES:**

1. THE TOP AND BOTTOM MOUNTING BRACKETS CAN BE USED TO MOUNT ANY 24" X 24" X 8" OR 24" X 16" X 8" PANELS.
2. MOUNT THE TOP BRACKETS, ITEM #10, TO THE BACK OF THE PANEL USING 2 EA. OF ITEM #5, 1/4-20 X 3/4" HEX SCREW AND 2 EA. OF ITEM #3, 1/4" LOCK WASHER, INTO THE WELD NUTS AT THE TOP-BACK OF THE PANEL AS SHOWN.
3. MOUNT THE BOTTOM BRACKETS, ITEM #9, TO THE 2ND TIE USING 2 EA. OF ITEM #2, 1/4-20 NUT, 2 EA. OF ITEM #3, 1/4" LOCK WASHER, AND 2 EA. OF ITEM #4, 1/4-20 X 1" HEX SCREW.
4. HANG THE PANEL FROM THE 3RD TIE AND ALIGN THE BOLT HOLES IN THE TIE WITH THE HOLES IN THE BRACKET. LOOSELY ASSEMBLE WITH 2 EA. OF ITEM #2, 1/4-20 NUT, 2 EA. OF ITEM #3, 1/4" LOCK WASHER, AND 2 EA. OF ITEM #4, 1/4-20 X 1" HEX SCREW.
5. ALIGN BOLT HOLES IN THE BOTTOM MOUNTING BRACKETS WITH THE MOUNTING HOLES IN THE BOTTOM OF THE PANEL. FASTEN WITH 2 EA. OF ITEM #3, 1/4" LOCK WASHER, AND 2 EA. OF ITEM #4, 1/4-20 X 1" HEX SCREW. INTO THE WELD NUTS AT THE BOTTOM OF THE PANEL AS SHOWN.
6. PLUG THE 4 WELD NUTS IN THE LOWER FRONT OF THE PANEL WITH ITEM #6, 1/4-20 X 3/8" SCREWS.

Ref.	Part No.	Description
1		Any 24" x 24" x 8" Panel
2	6-0841-4	Nut, 1/4-20, Hex
3	6-1510-4	Washer, Lock, 1/4"
4	6-3936-9	Screw, 1/4-20 x 1", Hex, Gr. 5
5	10-2985-9	Screw, 1/4-20 x 3/4", Hex, Gr. 5
6	11-3062-4	Screw, 1/4-20 x 3/8", Hex, Type 23
7	11-9461-0	Tie, Pivot, Panel Mount, Top, 51 1/2"
8	11-9462-0	Tie, Pivot, Panel Mount, Bottom, 71 11/16"
9	11-9515-0	Bracket, Panel Mount, Lower
10	16-0015-5	Bracket, Panel Mount, Upper

# Pivot Points

## 2 Panel Mounting



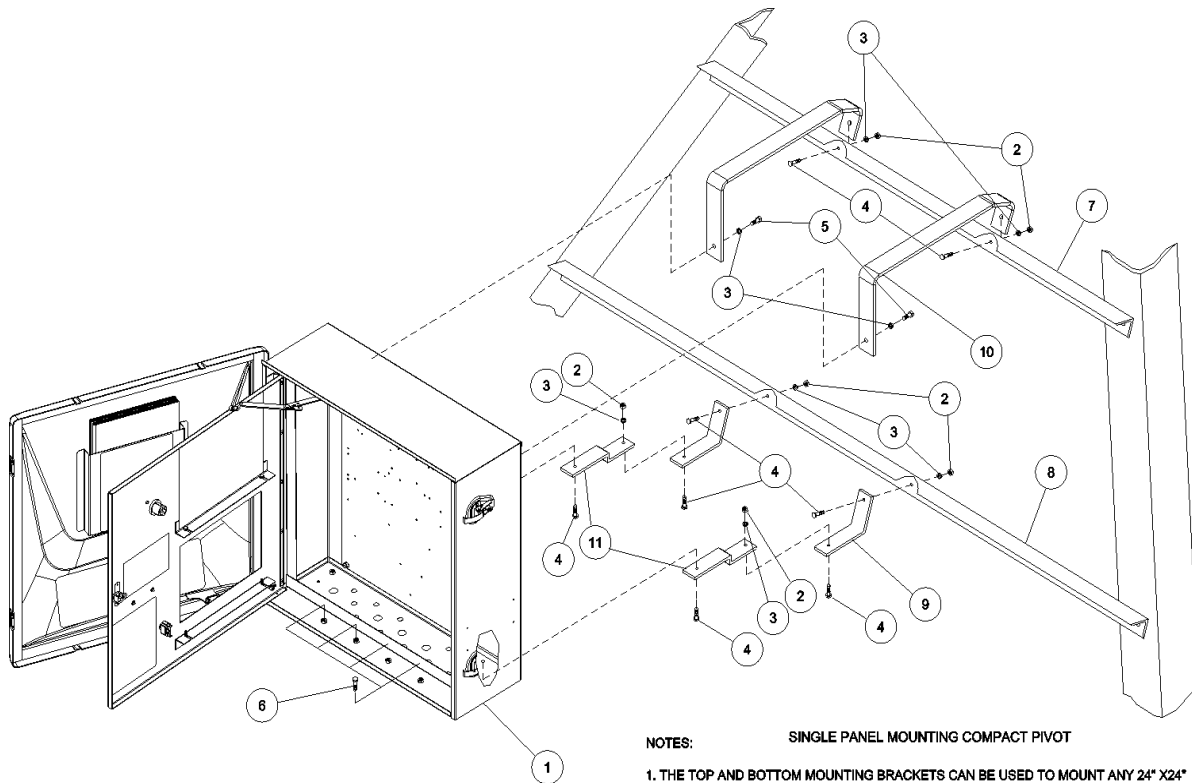
**NOTES:**

1. THE TOP AND BOTTOM MOUNTING BRACKETS CAN BE USED TO MOUNT ANY 24" X24" X 8" OR 24" X 16" X 8" PANELS.
2. MOUNT THE TOP BRACKETS, ITEM #10, TO THE BACK OF THE PANEL USING 2 EA. OF ITEM #5, 1/4-20 X 3/4" HEX SCREW AND 2 EA. OF ITEM #3, 1/4" LOCK WASHER, INTO THE WELD NUTS AT THE TOP-BACK OF THE PANEL AS SHOWN.
3. MOUNT THE BOTTOM BRACKETS, ITEM #9, TO THE 2ND TIE USING 2 EA. OF ITEM #2, 1/4-20 NUT, 2 EA. OF ITEM #3, 1/4" LOCK WASHER, AND 2 EA. OF ITEM #4, 1/4-20 X 1" HEX SCREW.
4. HANG THE PANEL FROM THE 3RD TIE AND ALIGN THE BOLT HOLES IN THE TIE WITH THE HOLES IN THE BRACKET. LOOSELY ASSEMBLE WITH 2 EA. OF ITEM #2, 1/4-20 NUT, 2 EA. OF ITEM #3, 1/4" LOCK WASHER, AND 2 EA. OF ITEM #4, 1/4-20 X 1" HEX SCREW.
5. ALIGN BOLT HOLES IN THE BOTTOM MOUNTING BRACKETS WITH THE MOUNTING HOLES IN THE BOTTOM OF THE PANEL. FASTEN WITH 2 EA. OF ITEM #3, 1/4" LOCK WASHER, AND 2 EA. OF ITEM #4, 1/4-20 X 1" HEX SCREW. INTO THE WELD NUTS AT THE BOTTOM OF THE PANEL AS SHOWN.
6. PLUG THE 4 WELD NUTS IN THE LOWER FRONT OF THE PANEL WITH ITEM #6, 1/4-20 X 3/8" SCREWS.

Ref.	Part No.	Description
1		Any 24" x 24" x 8" Panel
2	6-0841-4	Nut, 1/4-20, Hex
3	6-1510-4	Washer, Lock, 1/4"
4	6-3936-9	Screw, 1/4-20 x 1", Hex, Gr. 5
5	10-2985-9	Screw, 1/4-20 x 3/4", Hex, Gr. 5
6	11-3062-4	Screw, 1/4-20 x 3/8", Hex, Type 23
7	11-9461-0	Tie, Pivot, Panel Mount, Top, 51 1/2"
8	11-9462-0	Tie, Pivot, Panel Mount, Bottom, 71 11/16"
9	11-9515-0	Bracket, Panel Mount, Lower
10	16-0015-5	Bracket, Panel Mount, Upper
11		Any 24" x 16" x 8" Panel

# Pivot Points

## Compact Pivot Panel Mounting



**NOTES: SINGLE PANEL MOUNTING COMPACT PIVOT**

1. THE TOP AND BOTTOM MOUNTING BRACKETS CAN BE USED TO MOUNT ANY 24" X24" X 8" OR 24" X 16" X 8" PANELS.
2. MOUNT THE TOP BRACKETS, ITEM #10, TO THE BACK OF THE PANEL USING 2 EA. OF ITEM #5, 1/4-20 X 3/4" HEX SCREW AND 2 EA. OF ITEM #3, 1/4" LOCK WASHER, INTO THE WELD NUTS AT THE TOP-BACK OF THE PANEL AS SHOWN.
3. MOUNT THE BOTTOM BRACKETS, ITEM #9, TO THE 2ND TIE USING 2 EA. OF ITEM #2, 1/4-20 NUT, 2 EA. OF ITEM #3, 1/4" LOCK WASHER, AND 2 EA. OF ITEM #4, 1/4-20 X 1" HEX SCREW.
4. MOUNT THE Z-BRACKETS, ITEM #11, TO THE TOP OF THE MOUNT BRACKETS. ITEM #9 USING 2 EA. OF ITEM #2, 1/4-20 NUT, 2 EA. OF ITEM #3, 1/4" LOCK WASHER, AND 2 EA. OF ITEM #4, 1/4-20 X 1" HEX SCREW.
5. HANG THE PANEL FROM THE 3RD TIE AND ALIGN THE BOLT HOLES IN THE TIE WITH THE HOLES IN THE BRACKET. LOOSELY ASSEMBLE WITH 2 EA. OF ITEM #2, 1/4-20 NUT, 2 EA. OF ITEM #3, 1/4" LOCK WASHER, AND 2 EA. OF ITEM #4, 1/4-20 X 1" HEX SCREW.
6. ALIGN BOLT HOLES IN THE BOTTOM MOUNTING BRACKETS WITH THE MOUNTING HOLES IN THE BOTTOM OF THE PANEL. FASTEN WITH 2 EA. OF ITEM #3, 1/4" LOCK WASHER, AND 2 EA. OF ITEM #4, 1/4-20 X 1" HEX SCREW. INTO THE WELD NUTS AT THE BOTTOM OF THE PANEL AS SHOWN.
7. PLUG THE 4 WELD NUTS IN THE LOWER FRONT OF THE PANEL WITH ITEM #6, 1/4-20 X 3/8" SCREWS.

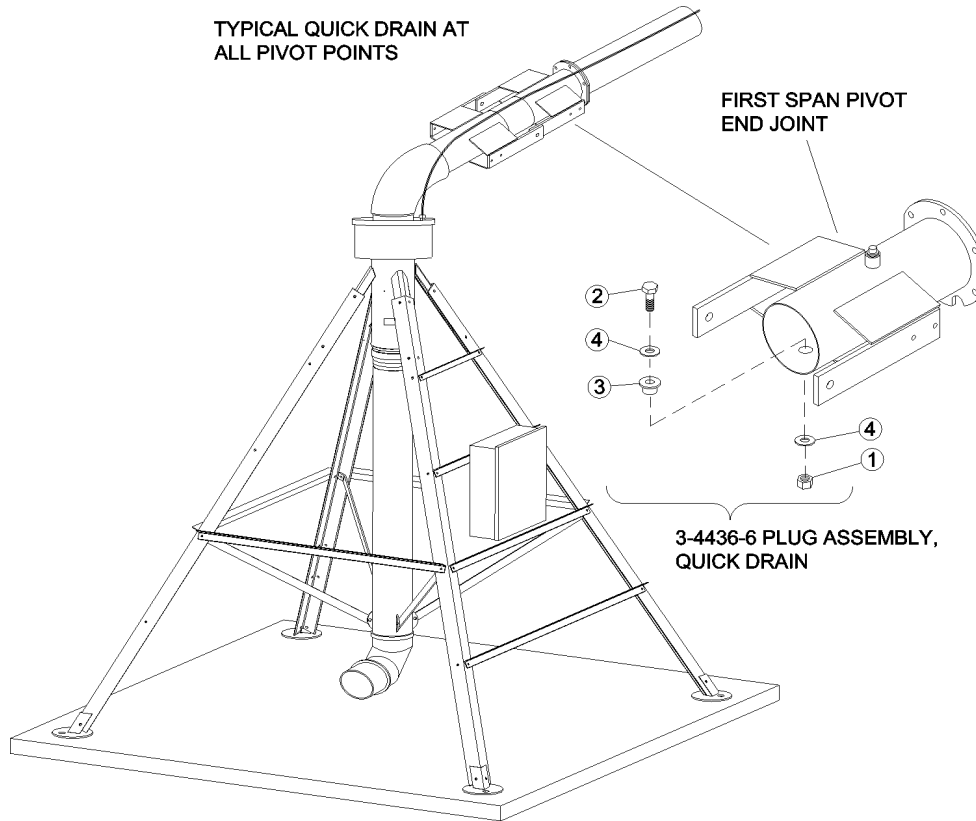
Ref.	Part No.	Description
1		Any 24" x 24" x 8" Panel
2	6-0841-4	Nut, 1/4-20, Hex
3	6-1510-4	Washer, Lock, 1/4"
4	6-3936-9	Screw, 1/4-20 x 1", Hex, Gr. 5
5	10-2985-9	Screw, 1/4-20 x 3/4", Hex, Gr. 5
6	11-3062-4	Screw, 1/4-20 x 3/8", Hex, Type 23
7	13-5859-0	Tie, Pivot, Panel Mount, Top, 40 1/4"
8	13-5860-0	Tie, Pivot, Panel Mount, Bottom, 55 1/2"
9	11-9515-0	Bracket, Panel Mount, Lower
10	16-0015-5	Bracket, Panel Mount, Upper
11	16-0015-3	Z-Bracket, Panel Mount



# Pivot Points

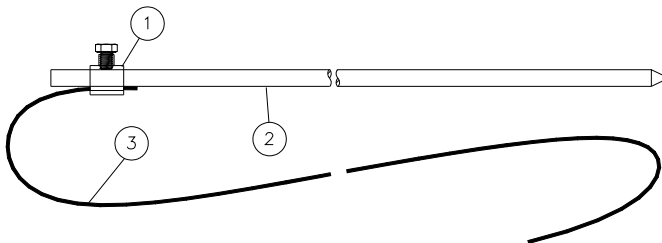
## Pivot Point Quick Drain Detail

TYPICAL QUICK DRAIN AT ALL PIVOT POINTS



Ref.	Original Part No.	Substitute Part No.	Description
1	06-0120-3		Nut, 3/8-16, Hex
2	06-2221-7		Screw, 3/8-16 x 1", Hex, Gr. 5
3	06-3307-3		Bushing, Quick Drain
4	13-9383-0		Washer, Flat, 3/8", S.S.
5	03-4436-6		Plug Assembly, Quick Drain (Items 1 thru 4)

## Ground Rod Assembly, 1607414 (Does not Include Ground Rod)



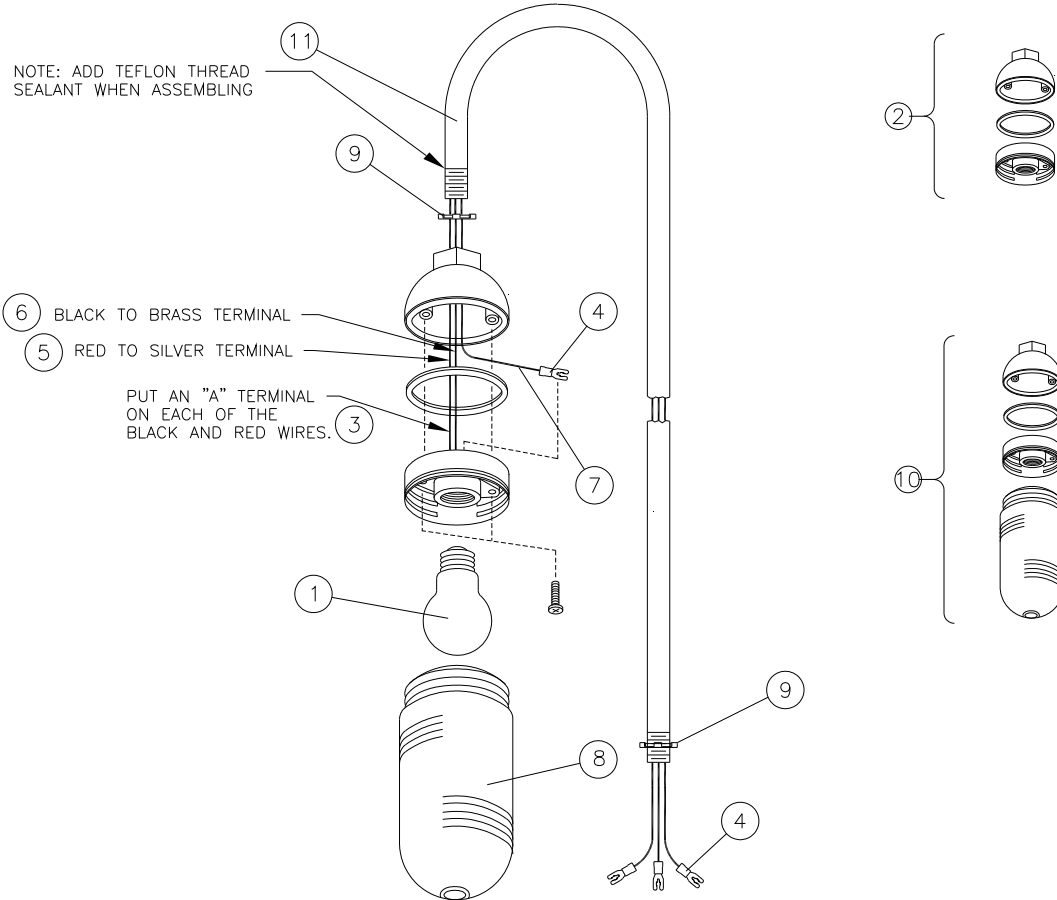
**NOTE:** Requires 12 of Item #3 for 12'.

Ref.	Original Part No.	Substitute Part No.	Description
1	09-0812-9	1607142	Clamp, Ground Rod, 1/2" x #6 Sol, Bronze
2	09-6830-5		Rod, Ground, 1/2" x 10', Copper Clad
3	09-8832-9		Wire, Electric #6 Bare Copper (See Note)
4	1239860		Clip, Ground Wire, Small
5	1607143		Clamp, Ground, Structure



# Pivot Points

## Pivot Light Detail, 11-0770-5



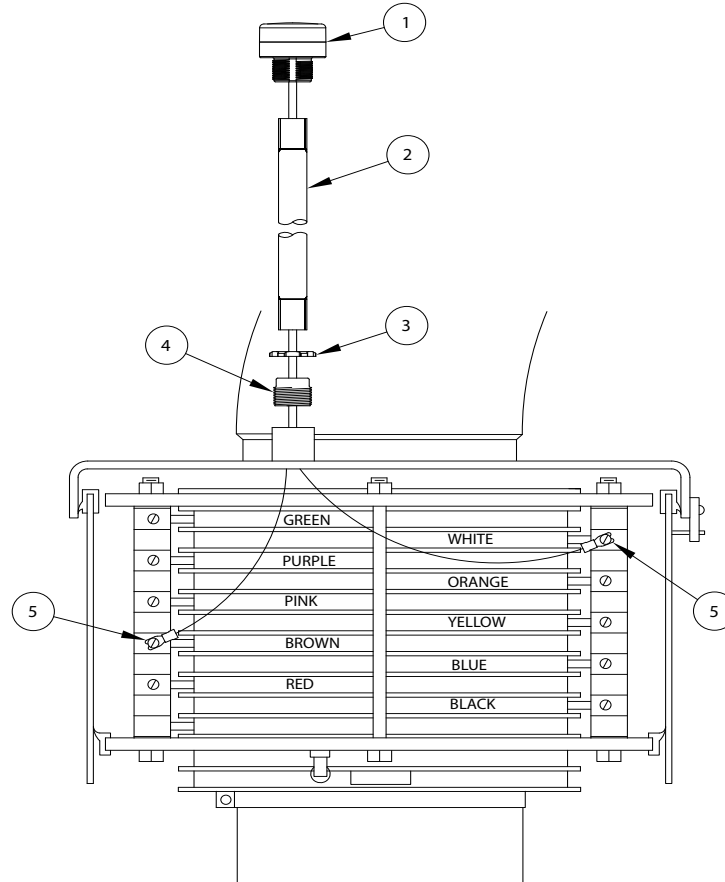
Ref.	Original Part No.	Substitute Part No.	Description
1	09-0010-0		Bulb, 75W, 120V
2	09-2002-5		Light Fixture, Tower, Less Globe
3	09-7608-4		Term, Wire, B, #16-14, Spade 6, Ins.
4	09-7608-4		Term. Wire, B, #16-14, Spade 8, Ins.
5	09-8802-2		Wire, Electric, 14 TEW, Red
6	09-8806-3		Wire, Electric, 14 TEW, Black

Ref.	Original Part No.	Substitute Part No.	Description
7	09-8816-2		Wire, Electric, 14 TEW, Green
8	09-8871-7		Globe, Light Fixture, Plastic
9	09-9161-2		Nut, Conduit, 3/4", Lock
10	13-2644-0		Light Fixture, Pivot Assy, 3/4"
11	13-2645-0		Pipe, Pivot Light, 3/4"



# Pivot Points

## LED Lighting, Pivot

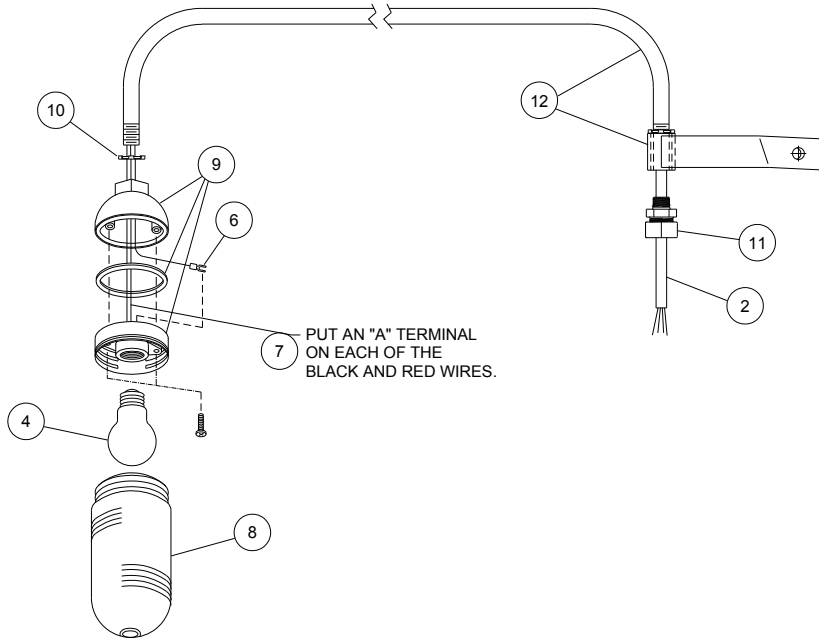


Ref.	Part No.	Description
1	1609055	Light, Fixture, LED, White, Beacon
2	1601589	Riser, 24", 1/2" NPT, Pivot Light
3	0991612	Nut, Conduit, 3/4", Lock
4	0988725	Bushing, Reduce, 3/4" x 1/2", Conduit
5	0993113	Terminal, Wire, #22-18, Spade, #10, IN



# Pivot Points

## Area Light Detail, Main Panel, 11-3300-8

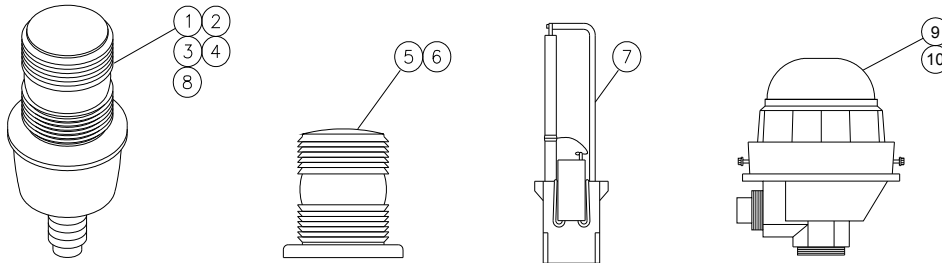


Ref.	Original Part No.	Substitute Part No.	Description
1	03-1335-3		Bracket, Light
2	03-6737-5		Cable, Elec., 4#14 x 14'
3	06-2515-2		Clip, Speed, "S"
4	09-0010-0		Bulb, 75 Watt, 120V, GE, #74A21/RS
5	09-0839-2		Connector, 1/2" w/Nut, .37-.50 Dia.
6	09-7608-4		Terminal, Wire, B, #16-14, Spade 6
7	09-7608-4		Terminal, Wire, B, #16-14, Spade 8
8	09-8871-7		Globe, Light Fixture, Plastic
9	09-9352-7		Light Fixture, Tower, Assembled
10	10-9500-9	09-9156-2	Nut, Conduit, 1/2", Lk, ZN
		09-9155-4	O-Ring 1/2", Conduit
11	11-2835-4		Connector, 1/2", w/o Nut, .37-.50" Dia.
12	11-3301-6		Pipe, Area Light, Assy



# Pivot Points

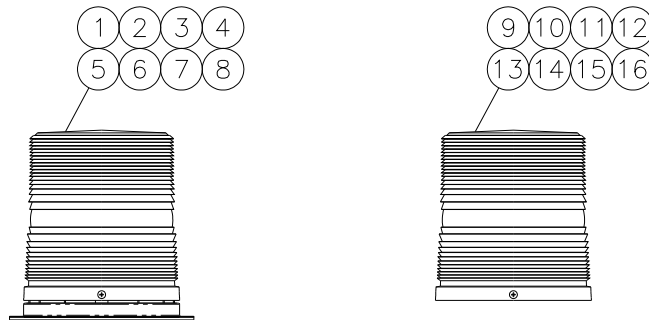
## Strobe Light, 120V



Ref.	Original Part No.	Substitute Part No.	Description
1	12-6117-0		Strobe, Light, 120V, Clear
2	12-6121-0		Strobe, Light, 120V, Green
3	12-6124-0		Strobe, Light, 120V, Red
4	12-6127-0		Strobe, Light, 120V, Amber
5	12-1205-0		Lens, Strobe Light, Clear

Ref.	Original Part No.	Substitute Part No.	Description
6	12-6785-0		Lens, Strobe Light, Amber
7	12-1138-0		Bulb, Halogen, Strobe
8	14-5291-0		Strobe, Light, 120V, Blue
9	14-8873-0		Strobe, Light, White, Dial Light
10	14-8874-0		Strobe, Light, Yellow, Dial Light

## Strobe Light



**NOTE:** Kits include light, wire, and terminals.

Ref.	Original Part No.	Substitute Part No.	Description
1	12-8910-0		Strobe, Light, Tomar, 801-110 Amber
2	12-8911-0		Strobe, Light, Tomar, 801-110 Clear
3	12-8912-0		Strobe, Light, Tomar, 801-110 Green
4	12-8913-0		Strobe, Light, Tomar, 801-110 Red
5	12-8914-0		Strobe, Light, Tomar, 824-110 Amber
6	12-8915-0		Strobe, Light, Tomar, 824-110 Clear
7	12-8916-0		Strobe, Light, Tomar, 824-110 Green
8	12-8917-0		Strobe, Light, Tomar, 824-110 Red
9	12-8918-0		Strobe, Lens, Tomar, 801 Amber
10	12-8919-0		Strobe, Lens, Tomar, 801 Clear
11	12-8920-0		Strobe, Lens, Tomar, 801 Green
12	12-8921-0		Strobe, Lens, Tomar, 801 Red
13	12-8922-0		Strobe, Lens, Tomar, 824 Amber

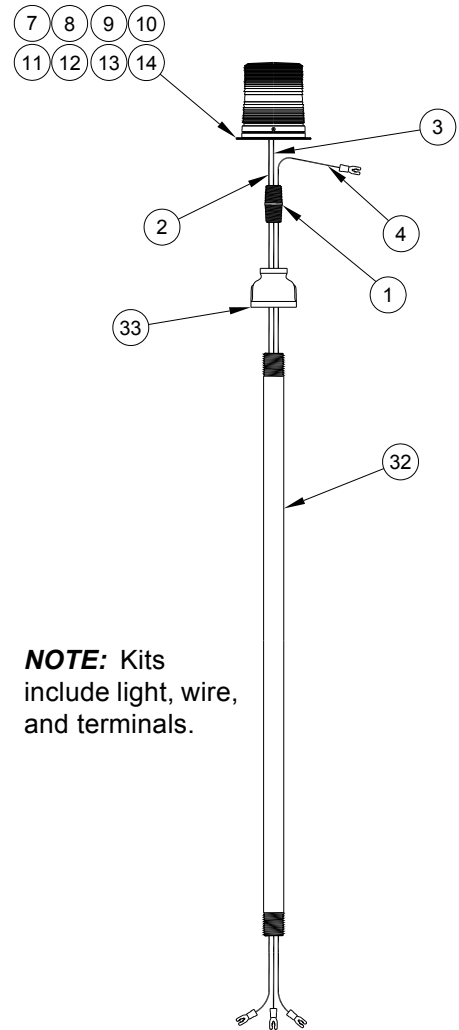
Ref.	Original Part No.	Substitute Part No.	Description
14	12-8923-0		Strobe, Lens, Tomar, 824 Green
15	12-8924-0		Strobe, Lens, Tomar, 824 Clear
16	12-8925-0		Strobe, Lens, Tomar, 824 Red
17	12-8926-0		Strobe, Bulb, Tomar, 801, 824, 110V
18	13-3666-0		Kit, Pivot Strobe Light, T801 AM
19	13-3667-0		Kit, Pivot Strobe Light, T801 CL
20	13-3668-0		Kit, Pivot Strobe Light, T801 GR
21	13-3669-0		Kit, Pivot Strobe Light, T801 RE
22	13-3670-0		Kit, Pivot Strobe Light, T824 AM
23	13-3671-0		Kit, Pivot Strobe Light, T824 CL
24	13-3672-0		Kit, Pivot Strobe Light, T824 GR
25	13-3673-0		Kit, Pivot Strobe Light, T824 RE



# Pivot Points

## Strobe Lights/Kits, Tomar

Ref.	Original Part No.	Substitute Part No.	Description
1	06-2097-1		Nipple, Pipe, 1/2" x Close, Galv.
2	09-8802-2		Wire, Elec, 14 TEW, Red
3	09-8806-3		Wire, Elec, 14 TEW, Black
4	09-8816-2		Wire, Elec, 14 TEW, Green
5	09-7608-4		Terminal, Wire, B, #16-14, Spade 8
6	09-7608-4		Terminal, Wire, B, #16-14, Spade 8
7	12-8910-0		Light, Strobe, Tomar, 801, 110, Amber
8	12-8911-0		Light, Strobe, Tomar, 801, 110, Clear
9	12-8912-0		Light, Strobe, Tomar, 801-110, Green
10	12-8913-0		Light, Strobe, Tomar, 801-110, Red
11	12-8914-0		Light, Strobe, Tomar, 824-110, 110-240V, Amber
12	12-8915-0		Light, Strobe, Tomar, 824-110, Clear
13	12-8916-0		Light, Strobe, Tomar, 824-110, Green
14	12-8917-0		Light, Strobe, Tomar, 824-110, Red
15	12-8918-0		Lens, Strobe, Tomar, 801 Amber
16	12-8919-0		Lens, Strobe, Tomar, 801 Clear
17	12-8920-0		Lens, Strobe, Tomar, 801 Green
18	12-8921-0		Lens, Strobe, Tomar, 801 Red
19	12-8922-0		Lens, Strobe, Tomar, 824 Amber
20	12-8923-0		Lens, Strobe, Tomar, 824 Green
21	12-8924-0		Lens, Strobe, Tomar, 824 Clear
22	12-8925-0		Lens, Strobe, Tomar, 824 Red
23	12-8926-0		Bulb, Strobe, Tomar, 801,824,110V
24	13-3666-0		Kit, Pivot Strobe Light, T801, Amber
25	13-3667-0		Kit, Pivot Strobe Light, T801, Clear
26	13-3668-0		Kit, Pivot Strobe Light, T801, Green
27	13-3669-0		Kit, Pivot Strobe Light, T801, Red
28	13-3670-0		Kit, Pivot Strobe Light, T824, Amber
29	13-3671-0		Kit, Pivot Strobe Light, T824, Clear
30	13-3672-0		Kit, Pivot Strobe Light, T824, Green
31	13-3673-0		Kit, Pivot Strobe Light, T824, Red
32	13-3638-0		Pipe, Pivot Light, St., 3/4" x 36"
33	13-3751-0		Reducer, Bell, 3/4" x 1/2", Galv.

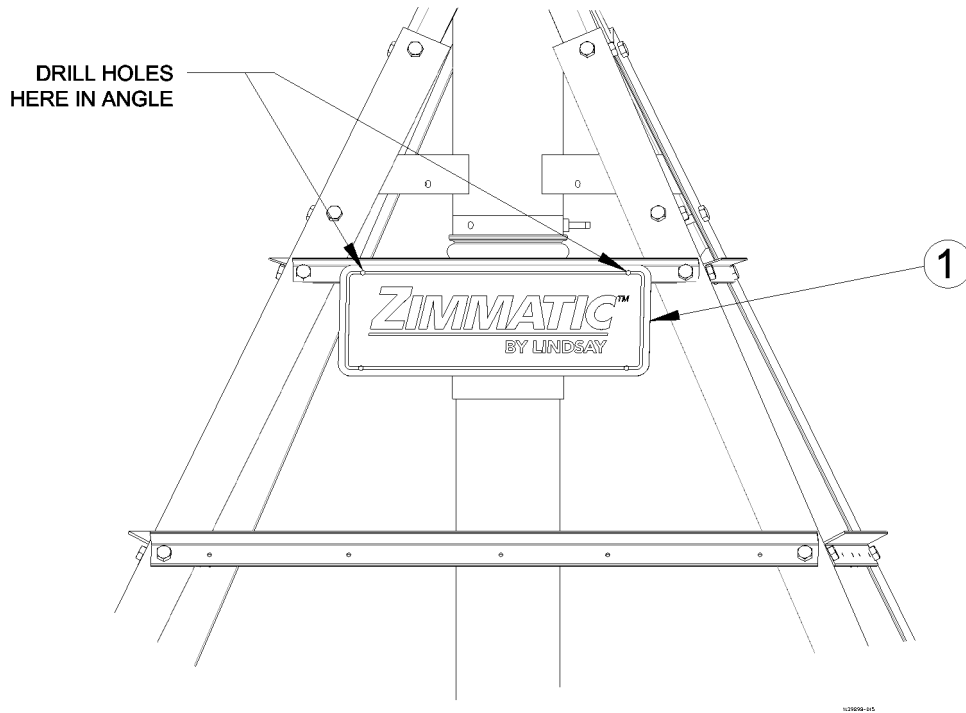


**NOTE:** Kits include light, wire, and terminals.



# Pivot Points

## Sign, Zimmatic, Pivot



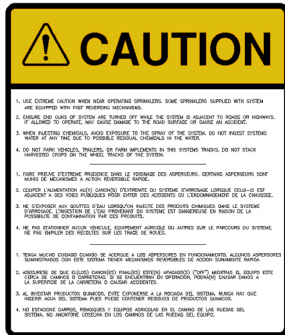
Ref.	Original Part No.	Substitute Part No.	Description
1	16-0018-0		Sign, Zimmatic By Lindsay, Pivot



# Pivot Points

## Safety Decals, Pivot Point

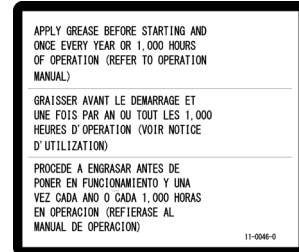
Make sure decals are legible. If they are not, obtain replacements from your Zimmatic dealer.



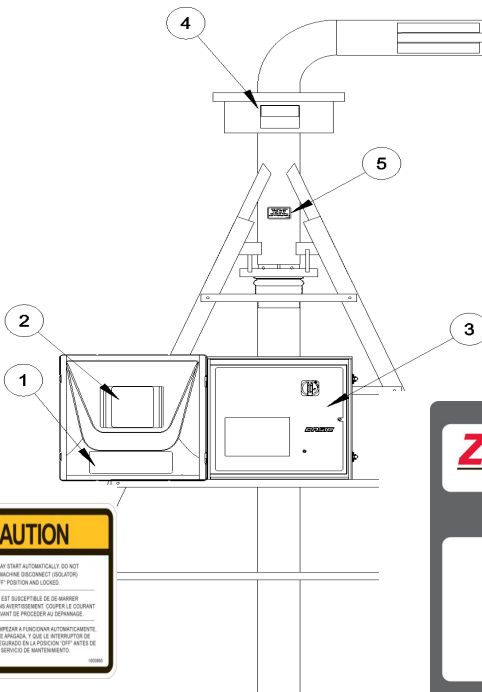
2 06-3453-5  
Decal, "CAUTION", Main Panel



4 06-3926-0  
Decal, "DANGER"



5 11-0046-0  
Decal, "GREASE"



1 1600895  
Decal, "DANGER", Tow; "CAUTION" Power line, "CAUTION" RST



3 16-0004-2  
Decal, BOSS/BASIC, Inner Door

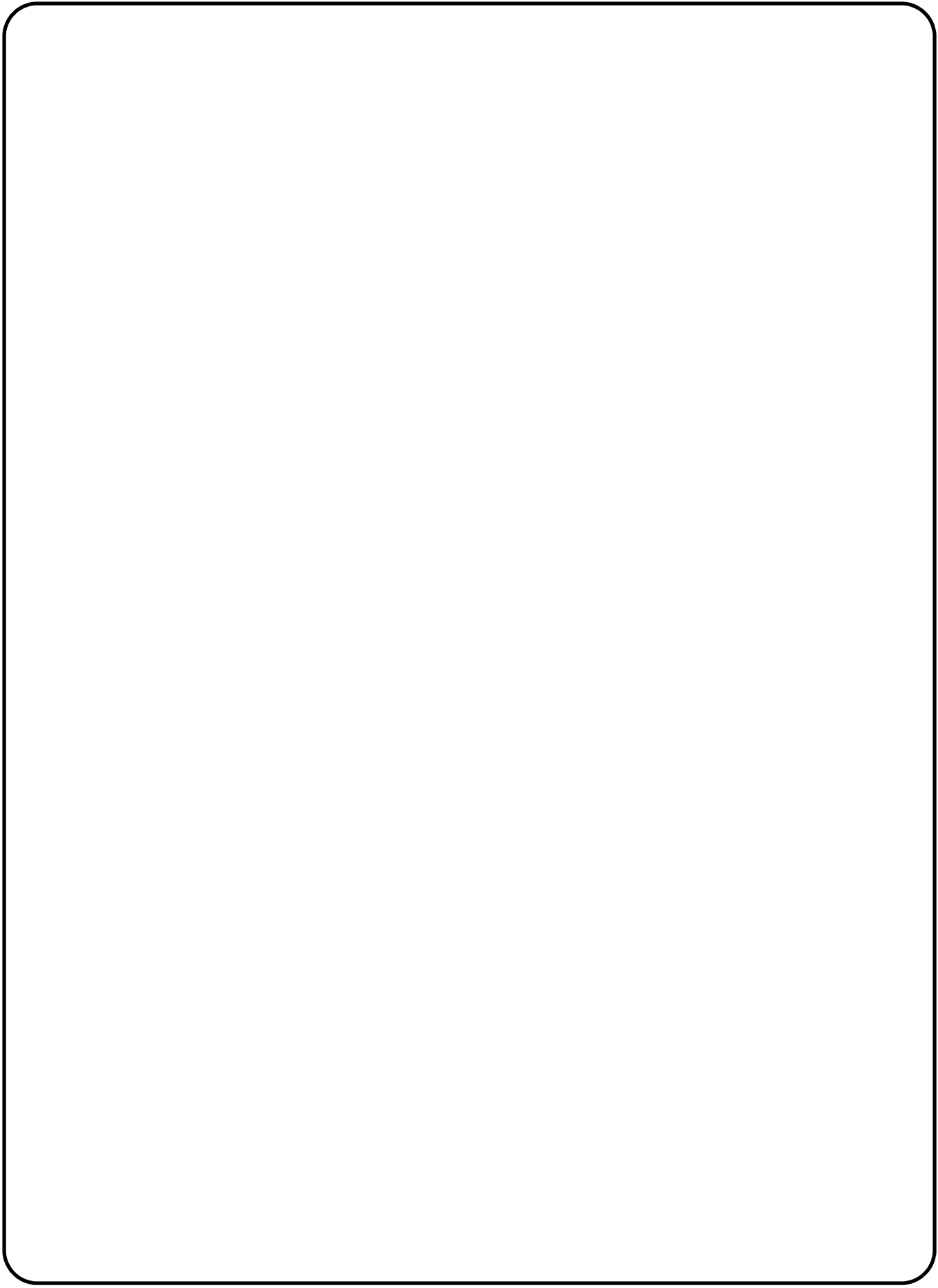
# Pivot Points





## Table of Contents

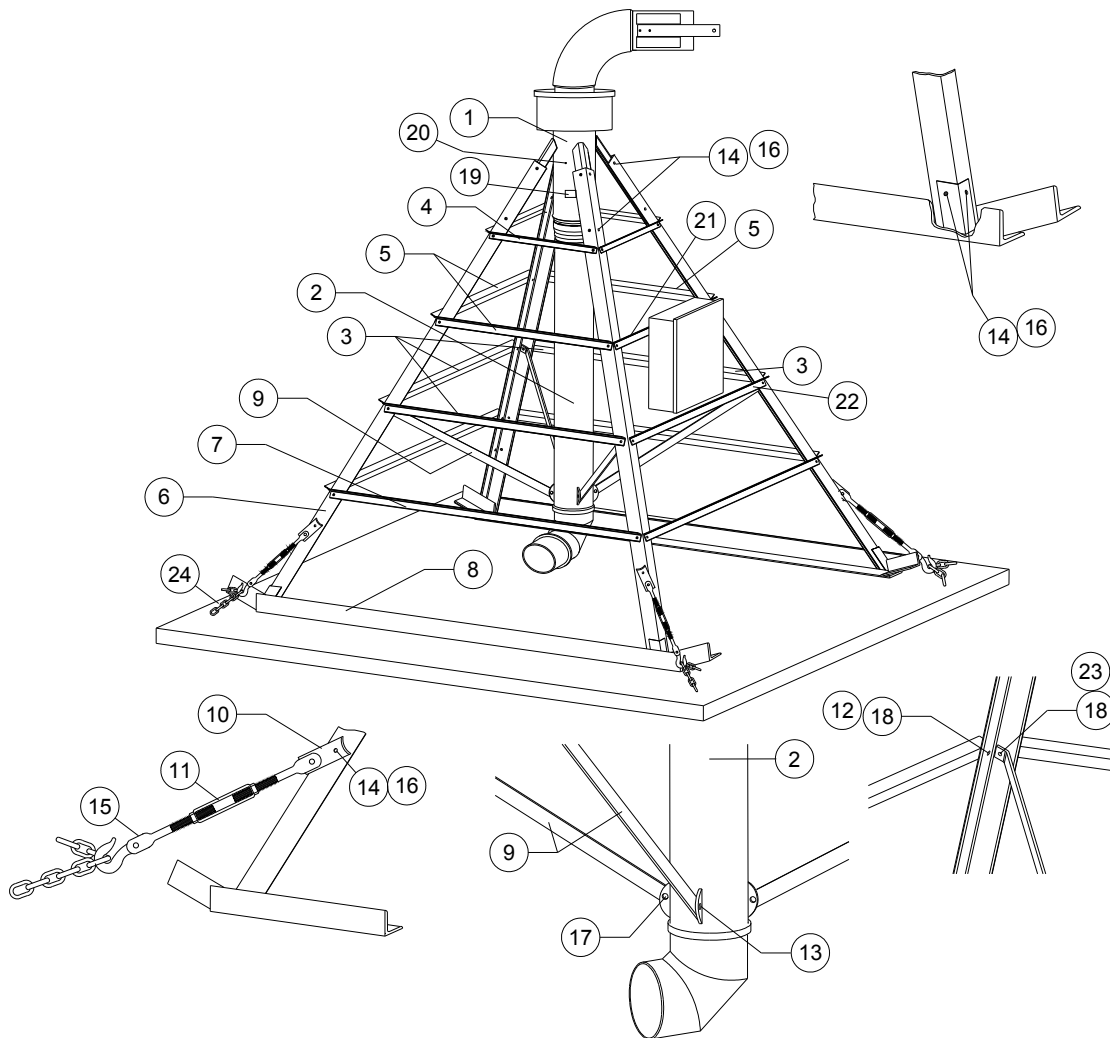
<b>9500MP</b> .....	B-3
Towable Pivot .....	B-3
Pivot Anchor .....	B-4
Cable Tow .....	B-5
9504MP .....	B-6
Main Panel Mounting, 9504MP	
Fuel Tank and Engine Generator Option.....	B-7
Fuel Tank Plumbing .....	B-8
Frame, Engine/Generator Cover .....	B-8
Instructions, Frame, Engine/Generator Cover for 20-30 KW	
Engine Gen. Sets .....	B-9
9500MP (January, 1984 to Present).....	B-10
9500MP Head Assembly .....	B-12
9500MP Encoder Detail .....	B-13
Power Drive Assembly.....	B-14
Generator Junction Box .....	B-14
9500MP Voice Command and Antenna Mounting .....	B-15
9500MP, Anchor Package .....	B-16
9500MP, Intake Tower Assembly (Jan. 1997 to Present) .....	B-17
Riser and Collector Ring Assembly (Jan. 1997 - Present) .....	B-19
Collar and Drive Post Assembly (Jan. 1997 - Present) .....	B-20
Riser Detail (Jan. 1997 - Present) .....	B-21
Hose Connection (Jan. 1997 - Present) .....	B-22
Tongue Assembly (Jan. 1997 - Present) .....	B-23
Auto End Gun Package Assembly (Jan. 1997 - Present).....	B-24
Drive Tube Assembly (Jan. 1997 - Present) .....	B-25
Earthen Anchor and Anchor Chain.....	B-26
Ground Rod Assembly, 03-0435-2.....	B-26





**B 9500MP**

**Towable Pivot**



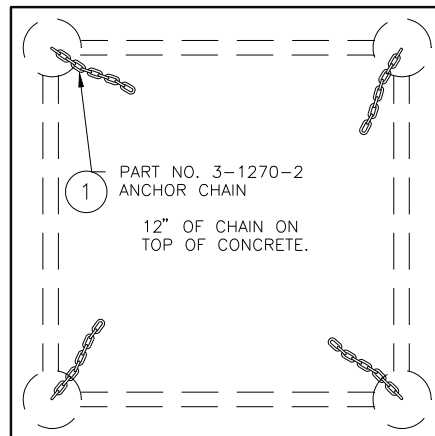
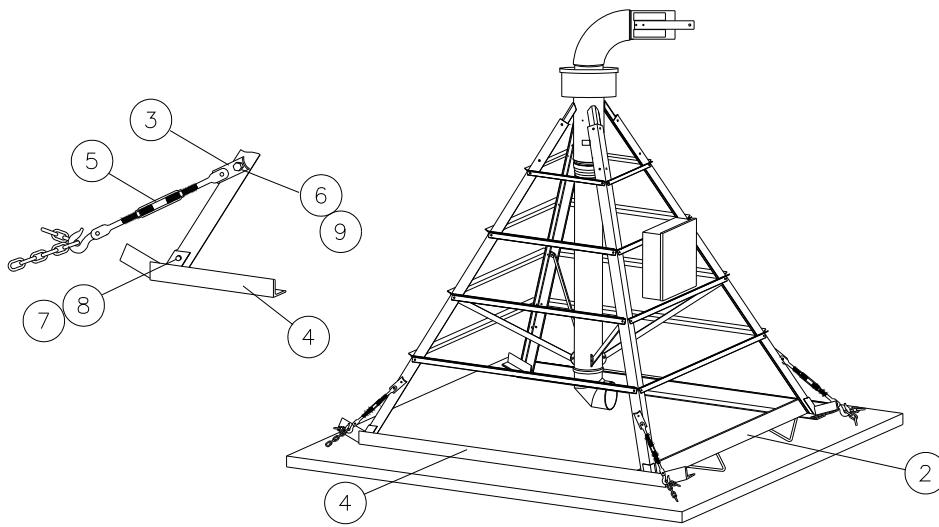
Ref.	Original Part No.	Substitute Part No.	Description
1	03-0030-1		Head Weldment, Pivot
2	03-0070-7		Riser Weldment, Pivot
3	03-0810-6		Tie, Pivot, 2nd From Bottom
4	03-0830-4		Tie, Pivot, Top
5	03-1110-0		Brace, Truss Side, 51-1/2"
6	03-4600-7		Leg, Heavy Duty, Pivot
7	03-6939-7		Tie, Pivot Bottom, 92"
8	03-7959-4		Skid Weldment, Towable Pivot
9	04-0063-0		Strap, Pivot Riser
10	04-2776-5		Bracket, Pivot Leg Anchor
11	06-0011-4		Turnbuckle, 3/4 x 6, Clevis End
12	06-0804-2		Screw, 1/2-13 x 1-1/4", Hex, Gr. 5
13	06-0809-1		Screw, 3/4-10 x 2", Hex, Gr. 5
14	06-0839-8		Screw, 5/8-11 x 1-1/2", Hex, Gr. 5
15	06-2382-7		Hook, Eye Grab, 1/2"

Ref.	Original Part No.	Substitute Part No.	Description
16	06-2416-3		Nut, 5/8-11, Lock
17	06-2417-1		Nut, 3/4-10, Lock
18	06-2418-9		Nut, 1/2-13, Lock
19	11-0046-0		Decal, "Grease"
20	11-0470-2		Zerk, 5/16", Drive-In
21	11-9461-0		Tie, Pivot, Panel Mount, Top
22	11-9462-0		Tie, Pivot, Panel Mount, Bottom
23	26-0760-4		Screw, 1/2-13 x 1-1/2", Hex, Gr. 5
24	03-1270-2		Chain, Anchor, 1/2" x 48", Plated
25	03-4797-1		Bundle, Pivot, Galvanized (includes Items 3, 4, 7, 9, 21 & 22)
26	03-4799-7		Bundle, Pivot Tie, 3 Sides (includes 3 of Items 4, 5 & 7)
27	03-4858-1		Kit, Tow Package (includes Items 10, 11, 12, 14, 15, 16 and 18)



# 9500MP

## Pivot Anchor

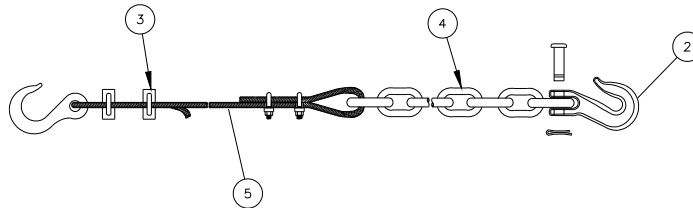
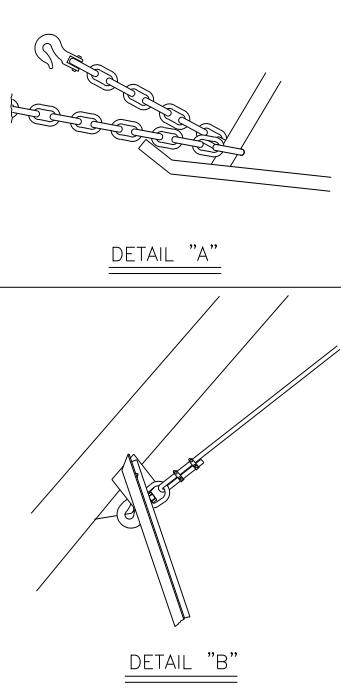
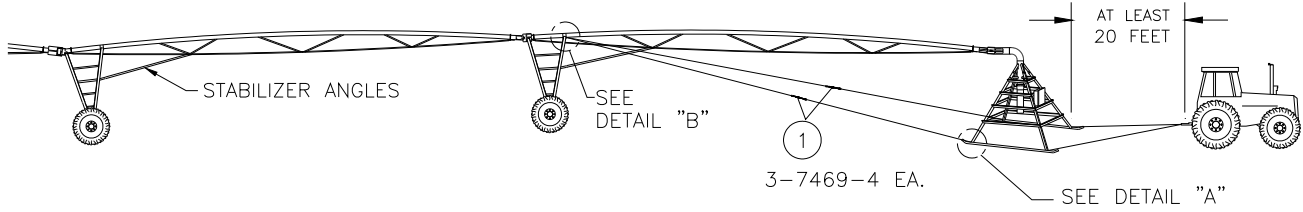


Ref.	Original Part No.	Substitute Part No.	Description
1	03-1270-2		Chain, High Test, 1/2" x 48"
2	03-1840-2		Bar, Tow
3	04-2776-5		Bracket, Pivot Leg Anchor
4	03-7959-4		Skid, Towable Pivot
5	06-0011-4		Turnbuckle, 3/4 x 6", Clev. End
6	06-0804-2		Screw, 1/2-13 x 1-1/4, Hex, Gr. 5
7	06-0839-8		Screw, 5/8-11 x 1-1/2", Hex, Gr. 5
8	06-2416-3		Nut, 5/8-11, Lock
9	06-2418-9		Nut, 1/2-13, Lock



# 9500MP

## Cable Tow



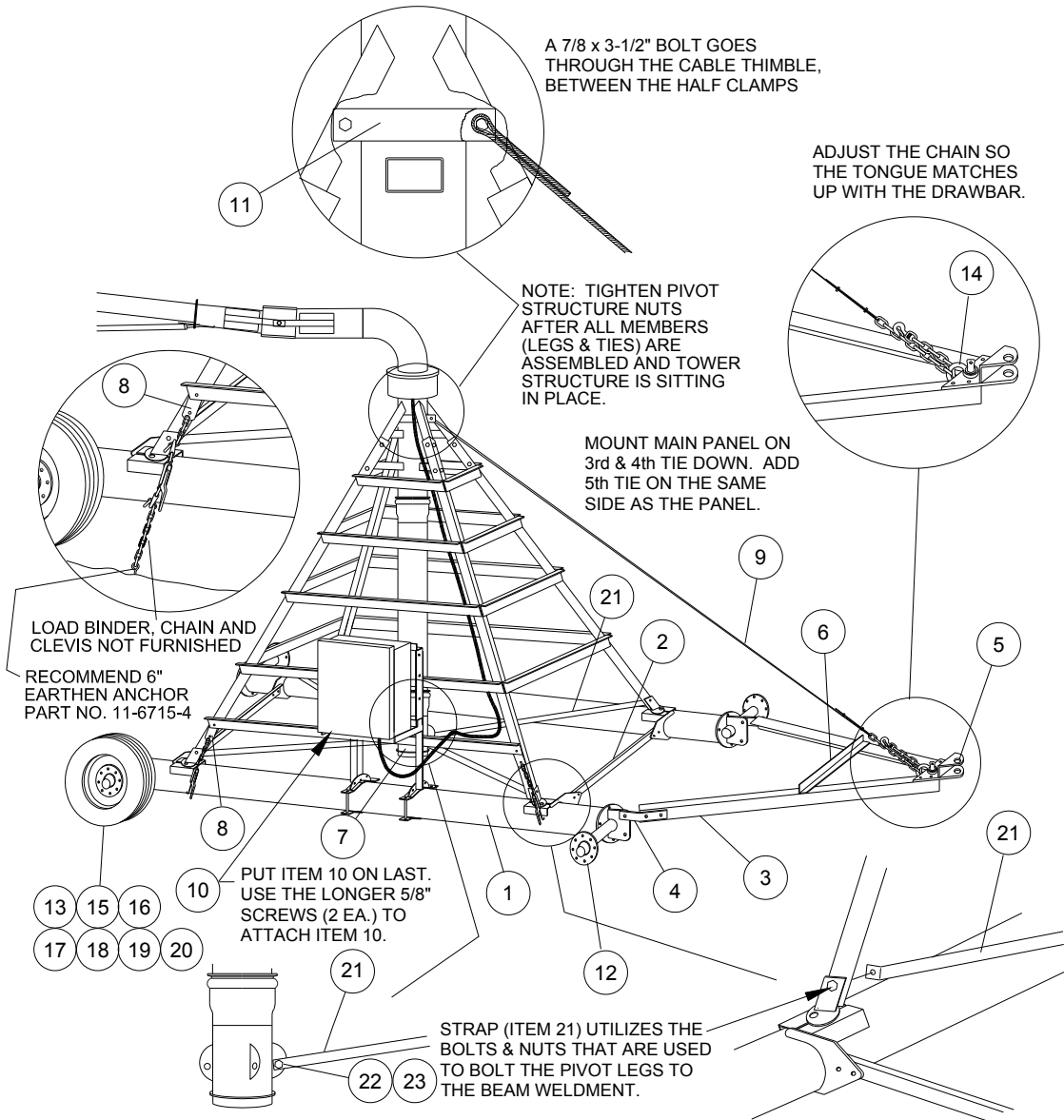
**NOTE:** Items 2 thru 5 are included in Item 1.

Ref.	Original Part No.	Substitute Part No.	Description
1	03-7469-4		Cable, Tow, Universal, 199' - 8"
2	06-0881-0		Hook, Clevis Grab, 3/8", Plated
3	06-0884-4		Clamp, Cable, 3/8", Galv.
4	12-1976-0		Chain, End Tow Cable
5	97-0830-6		Cable, Aircraft, 7 x 19, 3/8" (1 ft. only)



# 9500MP

## 9504MP



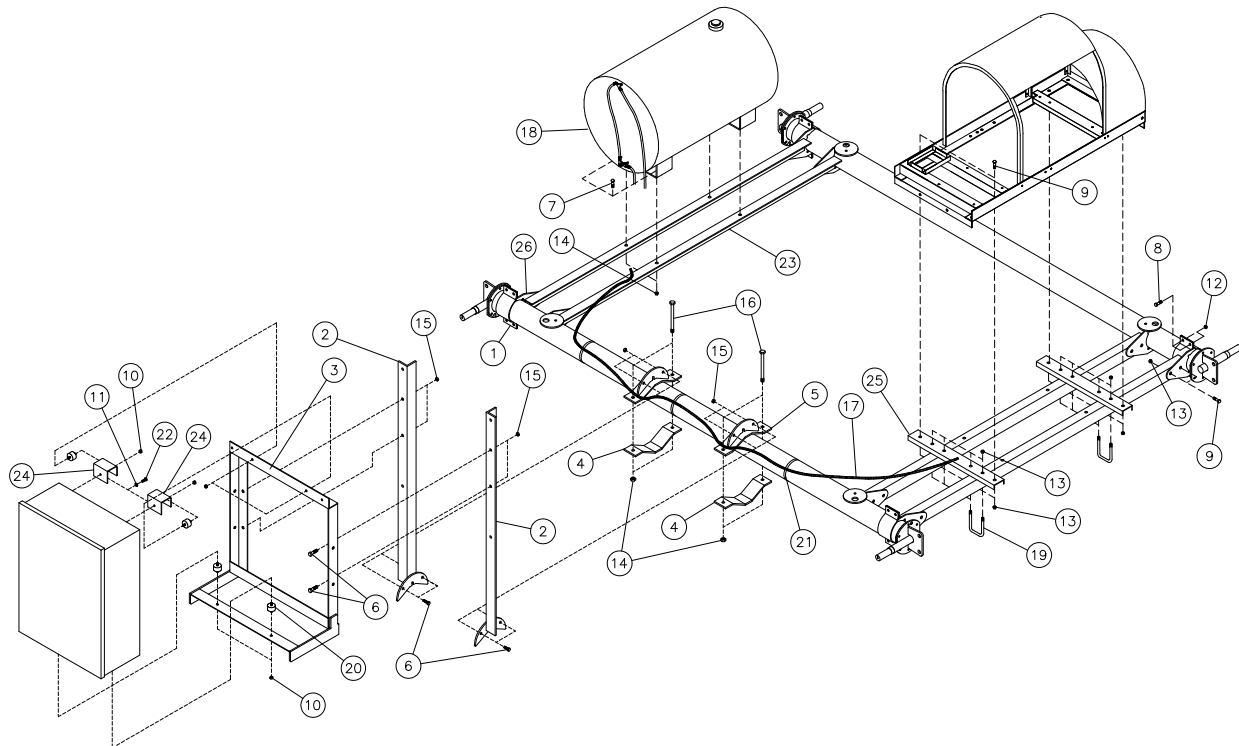
Ref.	Original Part No.	Substitute Part No.	Description
1	11-0169-0		Beam, Weldment
2	11-0170-8		Angle, Tie, 112"
3	11-0171-6		Angle, Tongue, 120"
4	11-0172-4		Mount, Tongue
5	11-0174-0		Tongue Weldment
6	11-0176-5		Angle Crosstie, Tongue, 60"
7	11-0177-3		Riser, Extension
8	11-0178-1		Anchor Weld, 4 WMP
9	11-0460-3		Cable Assembly, 22'
10	11-0558-4		Tie, Pivot, 101"
11	11-0734-1		Clamp, Half, 8-5/8" x 1/2" Thick
12	11-0984-2		Spindle Assembly

Ref.	Original Part No.	Substitute Part No.	Description
13	11-0993-3		Wheel Assy, 16" x 8 Bolt, Recap
14	11-0737-4		Shackle, Anchor, 7/8" Pin
15	03-4840-9		Wheel Assy, 11.2 x 24, Right
16	03-4841-7		Wheel Assy, 11.2 x 24, Left
17	03-4844-1		Wheel Assy, 11 x 24.5, Recap, R
18	03-4845-8		Wheel Assy, 11 x 24.5, Recap, L
19	11-5491-3		Wheel Assy, 11 x 22.5, Recap, R
20	11-5492-1		Wheel Assy, 11 x 22.5, Recap, L
21	11-6497-9		Strap, Riser Ext., 78-1/4"
22	06-0809-1		Screw, 3/4-10 x 2", Hex, Gr. 5
23	11-0023-9		Nut, 3/4-10, Lock, Nylon Insert



# 9500MP

## Main Panel Mounting, 9504MP Fuel Tank and Engine Generator Option



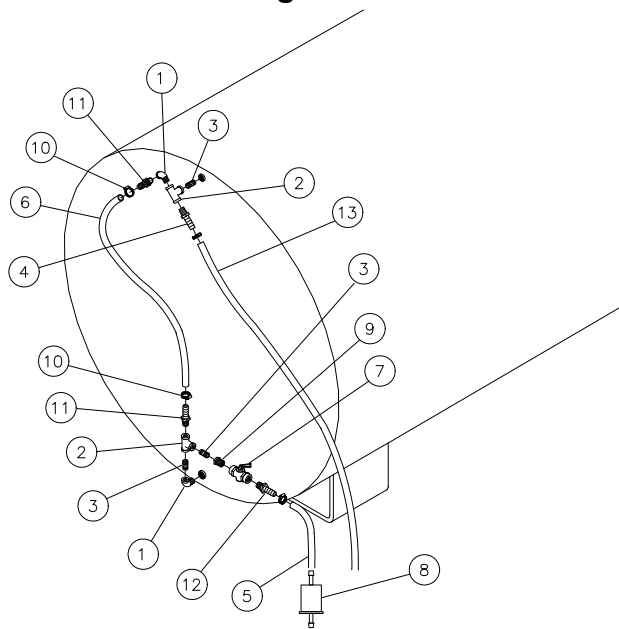
Ref.	Original Part No.	Substitute Part No.	Description
1	03-2819-5		Clamp, Saddle, 6-5/8" x 5"
2	04-0602-5		Mount, Weld, Mobile Pivot
3	04-7165-6		Bracket, Main Panel, Universal
4	04-7243-1		Clamp, Saddle
5	04-7244-9		Mount, Universal Tower Box
6	06-0803-4		Screw, 3/8-16 x 1-1/2", Hex, Gr. 5
7	06-0805-9		Screw, 1/2-13 x 2", Hex, Gr. 5
8	06-0807-5		Screw, 5/8-11 x 2", Hex, Gr. 5
9	06-0809-1		Screw, 3/4-10 x 2", Hex, Gr. 5
10	06-0841-4		Nut, 1/4-20, Hex
11	06-1510-4		Washer, Lock, 1/4"
12	06-2416-3		5/8-11, Lock
13	06-2417-1		Nut, 3/4-10, Lock

Ref.	Original Part No.	Substitute Part No.	Description
14	06-2418-9		Nut, 1/2-13, Lock
15	06-2420-5		Nut, 3/8-16, Lock
16	06-3070-7		1/2-13 x 5-1/2", Hex, Gr. 5
17	06-3323-0		Hose, Fuel, 3/8 I.D.
18	06-3327-1		Tank, Fuel, 150 Gallon
19	06-3539-1		Bolt, U, 3/4-10 x 6-3/8"
20	06-3849-4		Mount, Rubber, 1/4-20
21	09-0822-8		Tie, Cable, Plastic, 14-1/2" Long
22	10-2985-9		Screw, 1/4-20, x 3/4", Hex, Gr. 5
23	11-0170-8		Angle, Tie, 112"
24	11-2499-9		Bracket, Shock Mount
25	11-6634-7		Channel-Mount, Engine
26	11-6636-2		Mount, Clamp, Engine



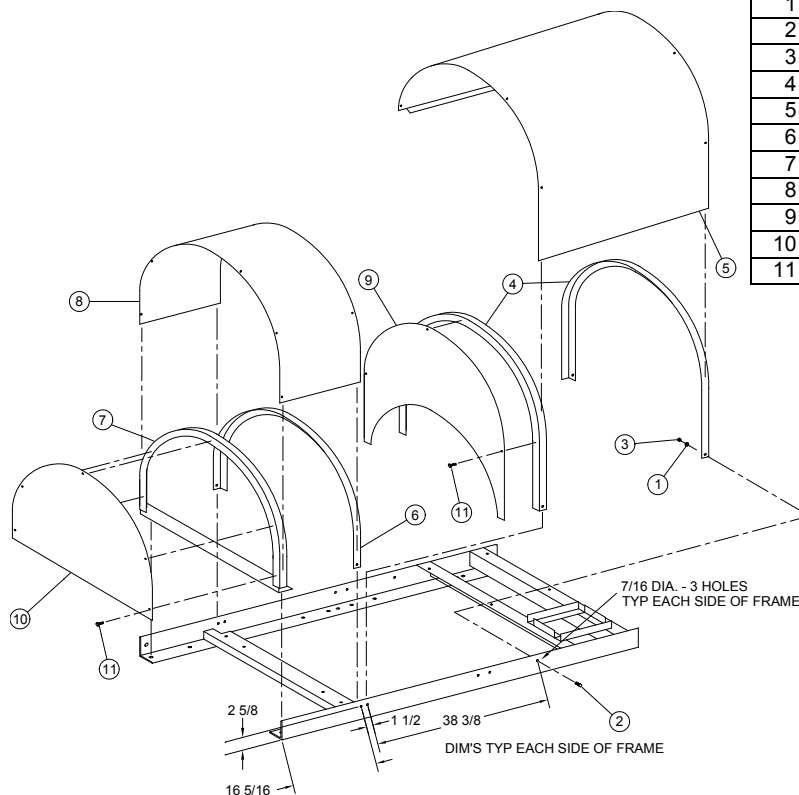
# 9500MP

## Fuel Tank Plumbing



Ref.	Part No.	Description
1	06-0648-3	Elbow, Street, 1/4" x 90°
2	06-0649-1	Tee, Pipe, 1/4"
3	06-2627-5	Nipple, Pipe, 1/4" x Close
4	06-3236-4	Adaptor, Hose, 1/4 MPT x Barb
5	06-3323-0	Hose, Fuel, 3/8" I.D.
6	06-3325-5	Hose, 3/8" I.D. x 1/16 W, Clear
7	06-3329-7	Valve, 2 Way, 3/8" FPT, Manual
8	06-3379-2	Filler Assy, Tank, Vented, 2"
9	06-3404-8	Bushing, Hex, 3/8" x 1/4"
10	06-3426-1	Clamp, Hose, Worm Drive
11	26-1076-4	Adaptor, 1/4" MPT x 3/8", Barb
12	26-1173-9	Adaptor, 3/8" MPT x 3/8" Barb
13	97-2035-0	Hose, Fuel, 1/4" I.D.

## Frame, Engine/Generator Cover



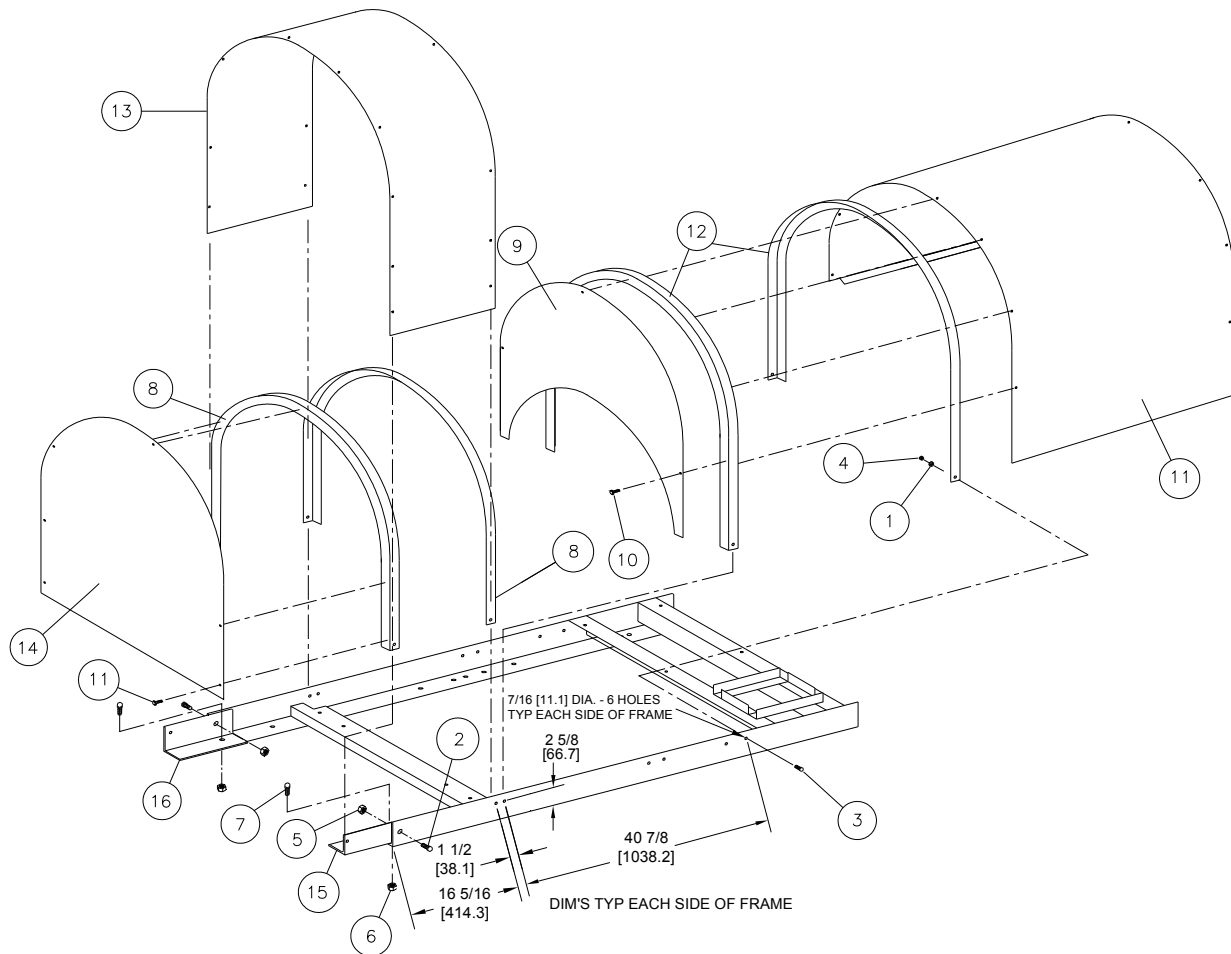
Ref.	Part No.	Description
1	06-0250-8	Washer, Flat, 3/8"
2	06-2221-7	Screw, 3/8-16 x 1", Hex, Gr. 5
3	06-2228-2	Nut, 3/8-16, Lock, Nylon Insert
4	10-9689-0	Frame, Cover, Engine, Front
5	10-9690-8	Cover, Engine, Front
6	10-9692-4	Frame, Cover, Generator, Rear
7	10-9693-2	Frame Weld., Rear, Gen. Cover
8	10-9695-7	Cover, Generator, Rear
9	10-9696-5	Cover, Engine, Back
10	10-9697-3	Cover, Generator, Back
11	10-9699-9	Screw, #14 x 1", Hex, Self-Drill

For 5-15 KW Engine Gen Sets



# 9500MP

## Instructions, Frame, Engine/Generator Cover for 20-30 KW Engine Gen. Sets

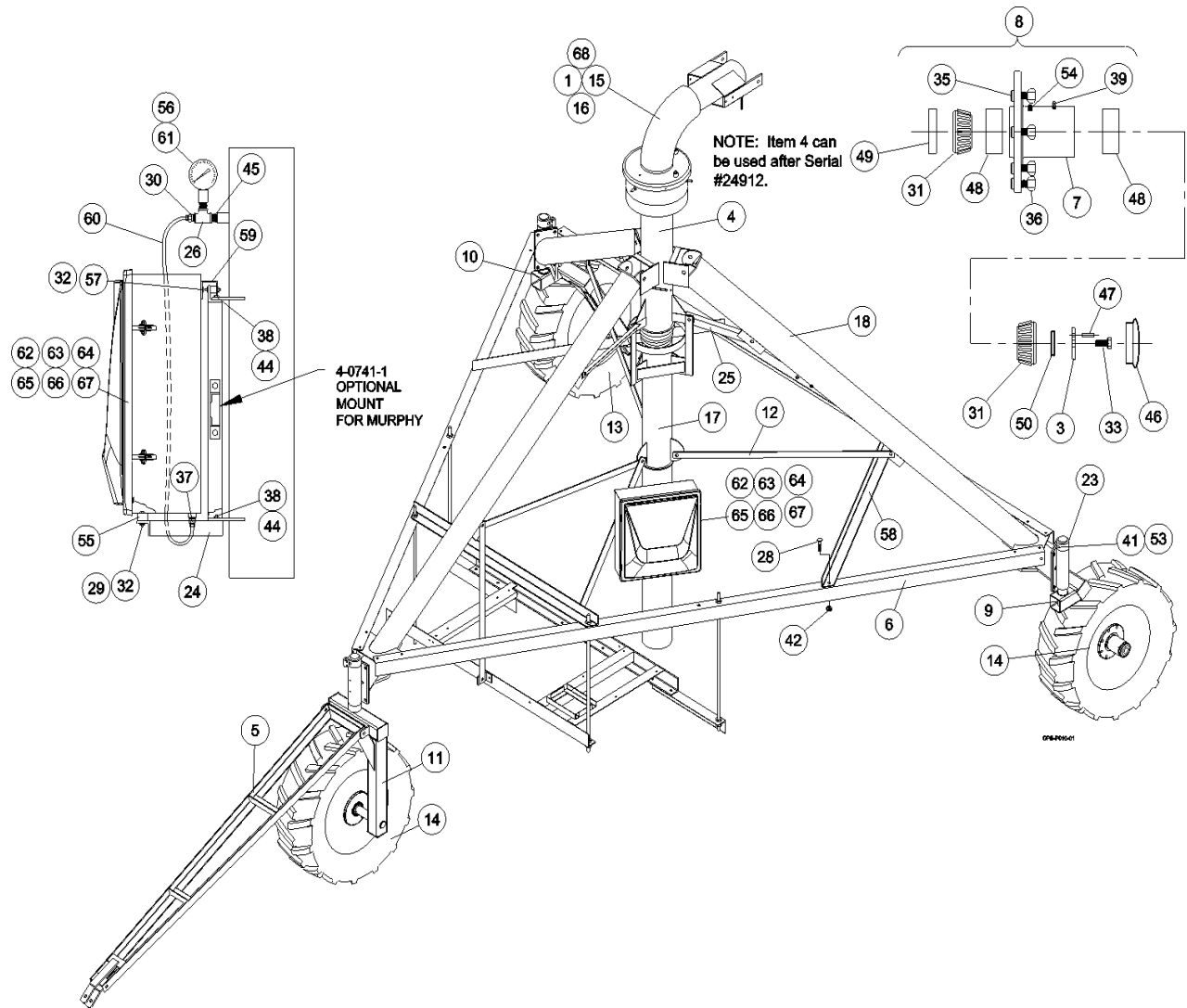


Ref.	Part No.	Description
1	6-0250-8	Washer, Flat, 3/8"
2	6-0839-8	Screw, 5/8-11x1-1/2, Hex, Gr. 5
3	6-2221-7	Screw, 3/8-16x1", Hex, Gr. 5
4	6-2228-2	Nut, 3/8-16, Lock, Nylon Insert
5	6-2416-3	Nut, 5/8-11, Lock, A563-Gr. A
6	6-2417-1	Nut, 3/4-10, Lock, A563-Gr. A
7	6-4269-4	Screw, 3/4-10x1-1/2, Hex, Gr. 5
8	10-9689-0	Frame, Cover, Engine, Front
9	10-9696-5	Cover, Engine, Back
10	10-9699-9	Screw, #14x1, Hex, Self-drill
11	14-7589-0	Cover, Engine, Front, Tall
12	14-7592-0	Frame, Cover, Engine, Front, Tall
13	14-7590-0	Cover, Generator, Rear, Tall
14	14-7591-0	Cover, Generator, Back, Tall
15	14-7597-0	Frame, Genset Cover, Extend, R
16	14-7609-0	Frame, Genset Cover, Extend, L



# 9500MP

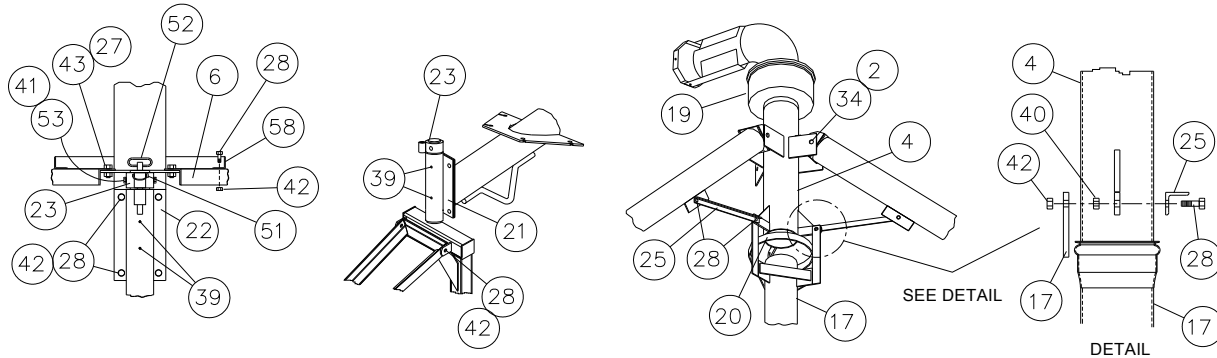
9500MP (January, 1984 to Present)





# 9500MP

9500MP (January, 1984 to Present) (cont'd.)



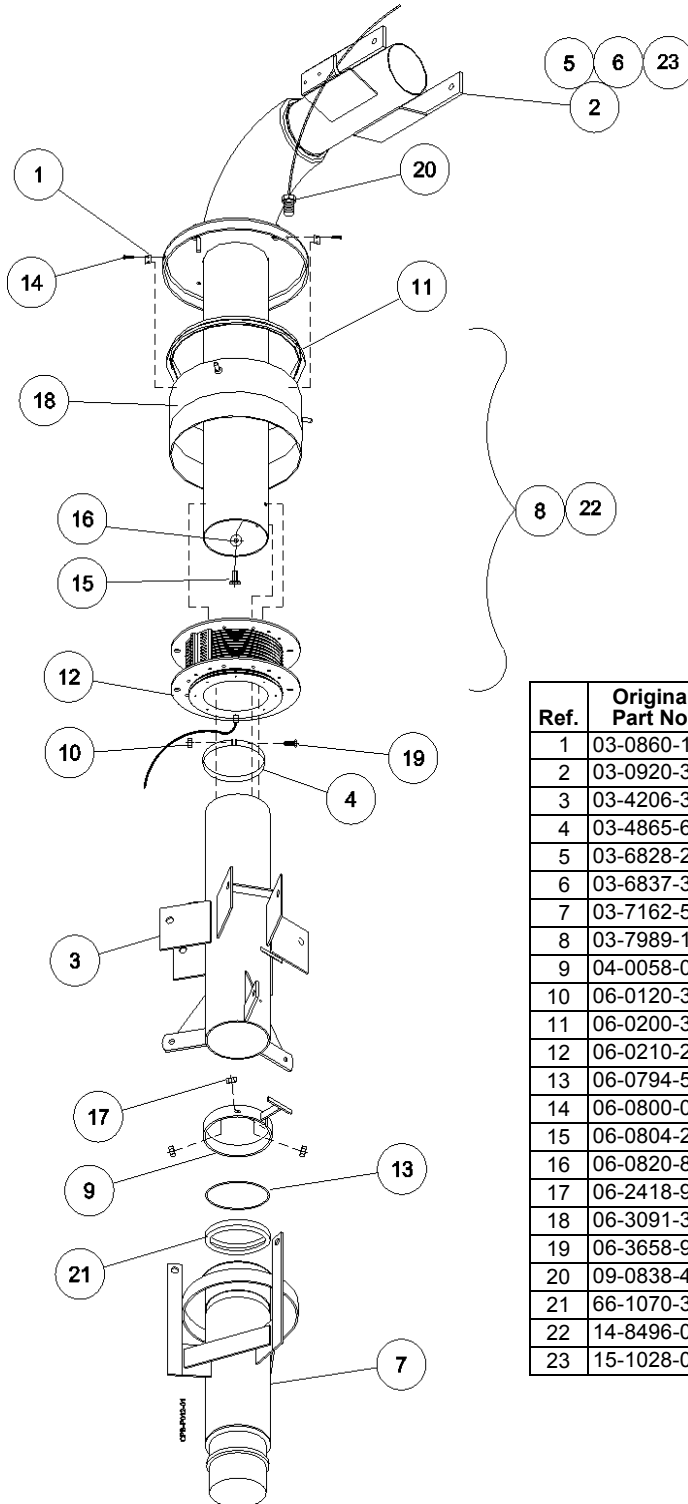
Ref.	Original Part No.	Substitute Part No.	Description
1	03-0920-3		Elbow Weldment, Pivot, 6-5/8
2	03-2158-8		Pin, Gearbox Mount
3	03-4196-6		Washer, Towable Hub, Taper Brng
4	03-4206-3		Head Weldment, Mobile Pivot
5	03-4225-3		Tongue Weldment
6	03-4240-2		Brace, Leg, Mobile Pivot, 15' 7"
7	03-4267-5		Hub, Towable Wheel, Taper Brng
8	03-4269-1		Hub Assy, Towable, Taper Brng
9	03-4529-8		Caster Assembly, Right
10	03-4530-6		Caster Assembly, Left
11	03-4531-4		Caster Assembly, Front
12	03-4606-4		Brace, Lower, Riser, 61"
13	03-4840-9		Wheel Assy, 11.2 x 24 (R)
14	03-4841-7		Wheel Assy, 11.2 x 24 (L)
15	03-6828-2		Elbow Weldment, Pivot, 5-9/16"
16	03-6837-3		Elbow Weldment, Pivot, 8"
17	03-7162-5		Riser, Mobile Pivot
18	03-7164-1		Leg, Mobile Pivot
19	03-7990-9		Ring Assy, 10 Wire, Collector
20	04-0058-0		Bracket, Auto Shutdown
21	04-4227-7		Plate, Front Caster
22	04-4466-1		Plate, Rear Caster
23	04-4468-7		Retainer, Spindle
24	04-7165-6		Bracket, Main Panel
25	04-7265-4		Brace, Upper, Riser, 16-1/2"
26	06-0649-1		Tee, Pipe, 1/4"
27	06-0804-2		Screw, 1/2-13 x 1-1/4", Hex, Gr.5
28	06-0809-1		Screw, 3/4-10 x 2", Hex, Gr. 5
29	06-0841-4		Nut, 1/4-20, Hex
30	06-0956-0		Connector, Hose, 1/4" x 1/4"
31	06-0970-1		Cone, Bearing, 25581, C64
32	06-1510-4		Washer, Lock, 1/4"
33	06-1940-3		Screw, 1/2-13 x 1", Hex, Gr. 5
34	06-2085-6		Pin, Cotter, 1/4 x 2-1/4"

Ref.	Original Part No.	Substitute Part No.	Description
35	06-2153-2		Bolt, 9/16-18 x 1-5/8", Hub, Gr. 5
36	06-2154-0		Nut, 9/16-18, Wheel Lug
37	06-2159-9		Connector, Hose, 1/4 x 1/8" MPT
38	06-2221-7		Screw, 3/8-16 x 1", Hex
39	06-2226-6		Fitting, Hyd. Lub, 1/4" Self-Tap
40	06-2368-6		Nut, 3/4-10, Hex, Jam
41	06-2416-3		Nut, 5/8-11, Lock
42	06-2417-1		Nut, 3/4-10, Lock
43	06-2418-9		Nut, 1/2-13, Lock
44	06-2420-5		Nut, 3/8-16, Lock
45	06-2627-5		Nipple, Pipe, 1/4 x Close, Galv.
46	06-3193-7		Cap, Hub, Durst, K2114
47	06-3195-2		Pin, Spring, .25" x .75", PLM
48	06-3199-4		Cup, Bearing, 25519
49	06-3200-0		Seal, Grease, Chic Rawhide#20125
50	06-3205-9		Ring, Load, 1-3/4" Shaft
51	06-3208-3		Pin, Latch, Towable Wheel
52	06-3209-1		Pin, Towable Gearbox
53	06-3337-0		Screw, 5/8-11 x 4", Hex, Gr. 5
54	06-3677-9		Fitting, Relief, 1-5 PSI, 3/8"
55	06-3849-4		Mount, Rubber, Comb. Main Panel
56	06-4715-6		Gauge, Pressure, 0-100 PSI
57	10-2985-9		Screw, 1/4-20 x 3/4", Hex, Gr. 5
58	10-9745-0		Brace, Angle, Mobile Pivot, 70-1/4"
59	11-2499-9		Bracket, Shock Mount
60	11-3531-8		Tubing, 1/4" O.D., Nylon
61	11-3569-8		Gauge, Press, Liq-Fill, 0-30 PSI
62	16-0061-1		Panel, BOSS, 480 Volt
63	16-0066-1		Panel, BOSS, 380 Volt, CE
64	16-0057-4		Panel, BASIC, 480V
65	16-0062-9		Panel, BASIC, 380 Volt, CE
66	16-0058-0		Panel, VISION, 480V
67	16-0063-1		Panel, VISION, 380V, CE
68	15-1028-0		Elbow, Weldment, Pivot, 8-5/8"



# 9500MP

## 9500MP Head Assembly

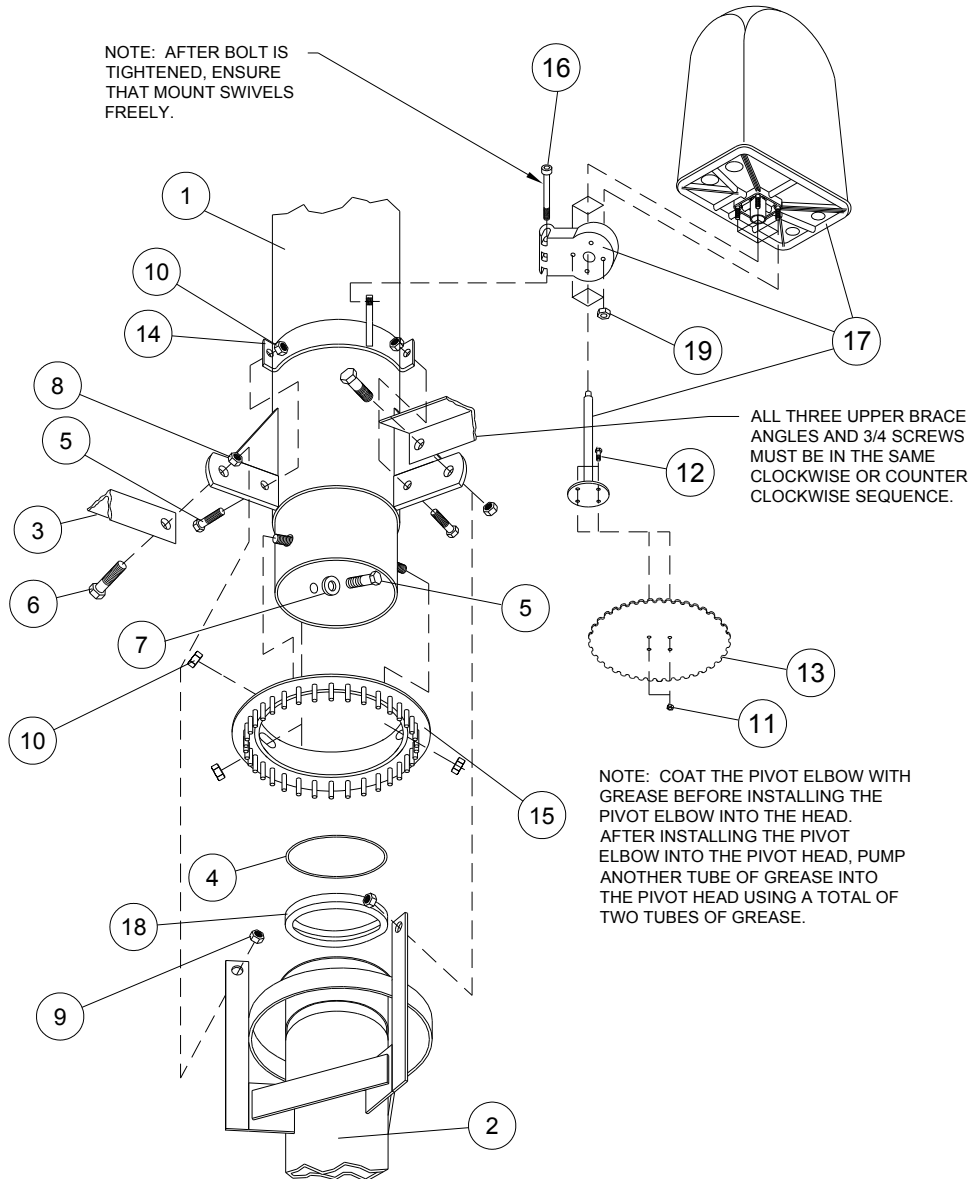


Ref.	Original Part No.	Substitute Part No.	Description
1	03-0860-1		Bracket, Collector Ring Shield Holder
2	03-0920-3		Elbow Weldment, Pivot, 6-5/8"
3	03-4206-3		Head Weldment, Mobile Pivot
4	03-4865-6		Band, Collector Ring
5	03-6828-2		Elbow Weldment, Pivot, 5-9/16"
6	03-6837-3		Elbow Weldment, Pivot, 8"
7	03-7162-5		Riser Weldment, Mobile Pivot
8	03-7989-1		Ring Assy, Collector
9	04-0058-0		Bracket, Automatic Shutdown
10	06-0120-3		Nut, 3/8-16, Hex
11	06-0200-3		Gasket, Collector Ring, Top
12	06-0210-2		Gasket, Collector Ring, Bottom
13	06-0794-5		Gasket, Deflector, 8"
14	06-0800-0		Screw, 5/16-18 x 3/8", Hex
15	06-0804-2		Screw, 1/2-13 x 1-1/4" Hex, Gr. 5
16	06-0820-8		Washer, 1/2", Rubber Seal
17	06-2418-9		Nut, 1/2-13, Lock
18	06-3091-3		Shield, Collector Ring
19	06-3658-9		Screw, 3/8-16 x 2-1/4", Hex, Gr. 5
20	09-0838-4		Connector, 3/4", w/Nut
21	66-1070-3		Gasket, Round Back
22	14-8496-0		Ring Assy, Coll., 10 Wire, CE
23	15-1028-0		Elbow, Weldment, Pivot, 8-5/8"



# 9500MP

## 9500MP Encoder Detail



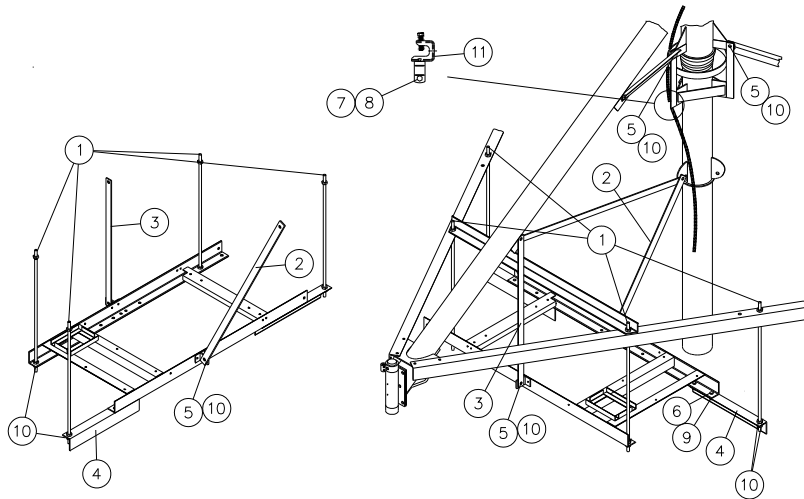
Ref.	Original Part No.	Substitute Part No.	Description
1	03-4206-3		Head Weldment, Mobile Pivot
2	03-7162-5		Riser Weldment
3	04-7265-4		Brace, Upper, Riser
4	06-0794-5		Gasket, Deflector, 8"
5	06-0804-2		Screw, 1/2-13 x 1-1/4" Hex, Gr. 5
6	06-0809-1		Screw, 3/4-10 x 2", Hex, Gr. 5
7	06-0820-8		Washer, 1/2", Rubber Seal
8	06-2368-6		Nut, 3/4-10, Hex, Jam
9	06-2417-1		Nut, 3/4-10, Lock
10	06-2418-9		Nut, 1/2-13, Lock

Ref.	Original Part No.	Substitute Part No.	Description
11	06-4267-8	0602409	Nut, 1/4-20, Lock, Nylon Insert
12	10-2985-9		Screw, 1/4-20 x 3/4", Hex, Gr. 5
13	11-0362-1		Gear, 10" Encoder Drive, Plated
14	11-0947-9		Clamp Weldment
15	11-0951-1		Pin Gear Weldment
16	11-6419-3		Screw, 5/8" x 3-1/2", Socket Hd.
17	13-9490-0		Panel, Assy, Encoder. Mag. Drive
18	66-1070-3		Gasket, Round Back
19	06-4364-3		Nut, 5/16-18, Lock



# 9500MP

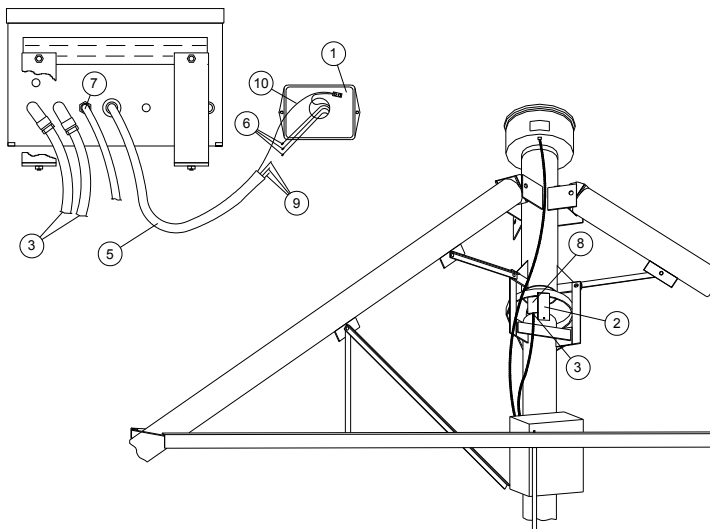
## Power Drive Assembly



Ref.	Original Part No.	Substitute Part No.	Description
1	03-4607-2		Bolt, Engine Hanger, 42", M.P
2	03-4612-2		Strap, Short, Engine Mount, 44"
3	03-4613-0		Strap, Long, Engine Mount, 60-3/4"
4	04-4830-8		Extension, Frame, M.P
5	06-0809-1		Screw, 3/4-10 x 2", Hex, Gr. 5
6	06-0839-8		Screw, 5/8-11 x 1-1/2", Hex, Gr. 5

Ref.	Original Part No.	Substitute Part No.	Description
7	06-0841-4		Nut, 1/4-20, Hex
8	06-1580-7	11-8405-0	Screw, 1/4-20 x 1", Hex, Stainless
9	06-2416-3		Nut, 5/8-11", Lock
10	06-2417-1		Nut, 3/4-10", Lock
11	06-3890-8		Clamp, Conduit Support, 1/2"

## Generator Junction Box



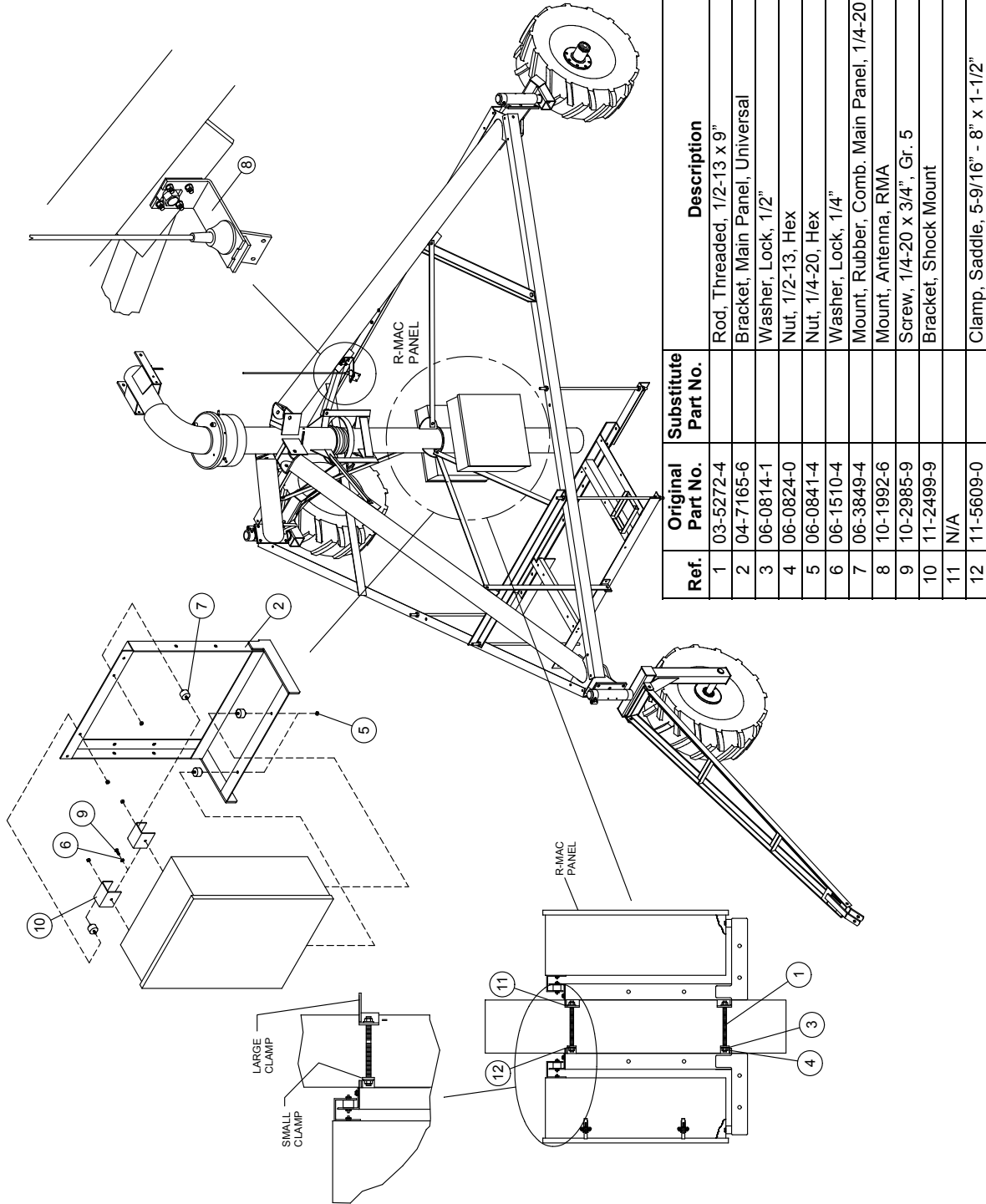
Ref.	Original Part No.	Substitute Part No.	Description
1			Generator Junction Box
2	03-2641-3		Mount, Auto Shutdown Switch
3	03-4698-1		Switch Assembly, Auto-Reverse
4	06-3890-8		Clamp, Conduit Support, 1/2"
5	09-0828-5		Conduit, Flex Sealite 3/4"
6	09-0836-8		Connector, Wire, Ideal

Ref.	Original Part No.	Substitute Part No.	Description
7	09-0838-4		Connector, 3/4", w/Nut
8	09-7244-8		Switch, Limit, Cat Whisker
9	09-8821-2		Wire, Electric 10 TEW, Black
10	09-8885-7		Wire, Electric 10 TEW, Green
11	09-9077-0		Tie, Cable, Plastic, 7" Long



# 9500MP

## 9500MP Voice Command and Antenna Mounting

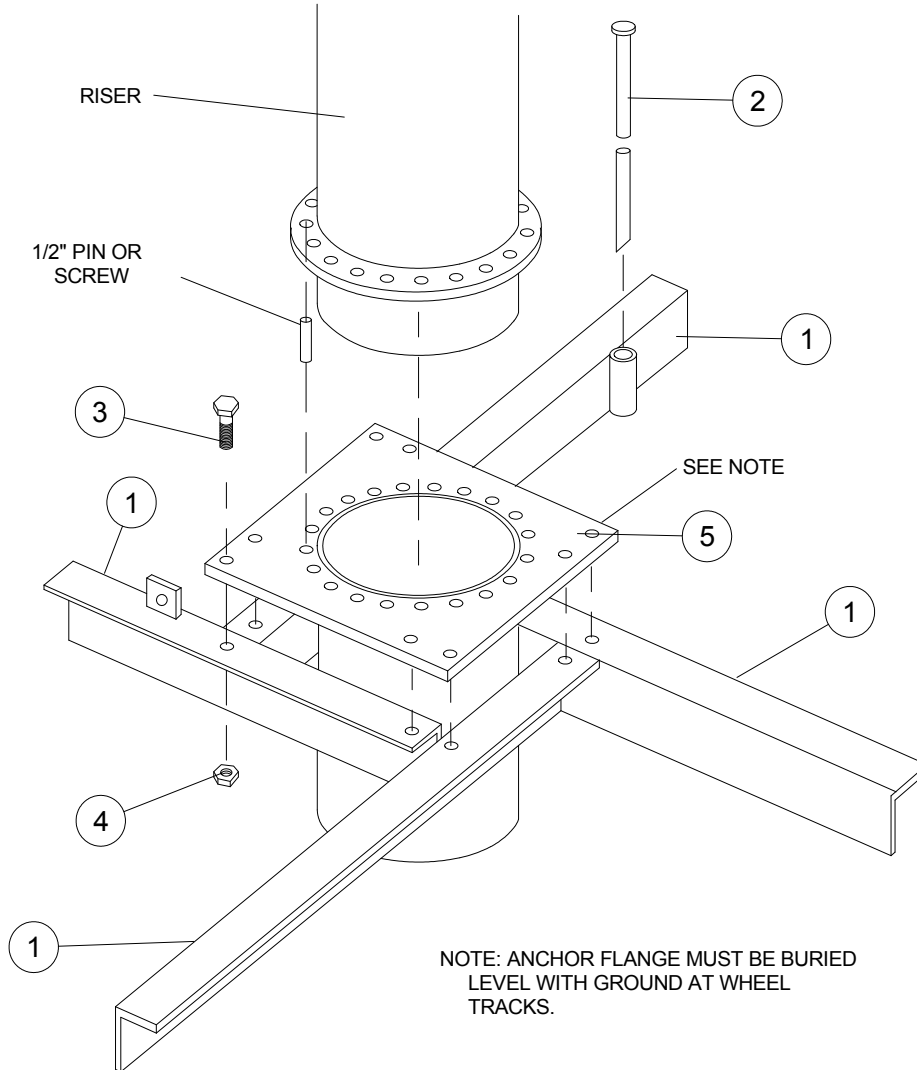


Ref.	Original Part No.	Substitute Part No.	Description
1	03-5272-4		Rod, Threaded, 1/2-13 x 9"
2	04-7165-6		Bracket, Main Panel, Universal
3	06-0814-1		Washer, Lock, 1/2"
4	06-0824-0		Nut, 1/2-13, Hex
5	06-0841-4		Nut, 1/4-20, Hex
6	06-1510-4		Washer, Lock, 1/4"
7	06-3849-4		Mount, Rubber, Comb. Main Panel, 1/4-20
8	10-1992-6		Mount, Antenna, RMA
9	10-2985-9		Screw, 1/4-20 x 3/4", Gr. 5
10	11-2499-9		Bracket, Shock Mount
11	N/A		
12	11-5609-0		Clamp, Saddle, 5-9/16" - 8" x 1-1/2"



# 9500MP

## 9500MP, Anchor Package

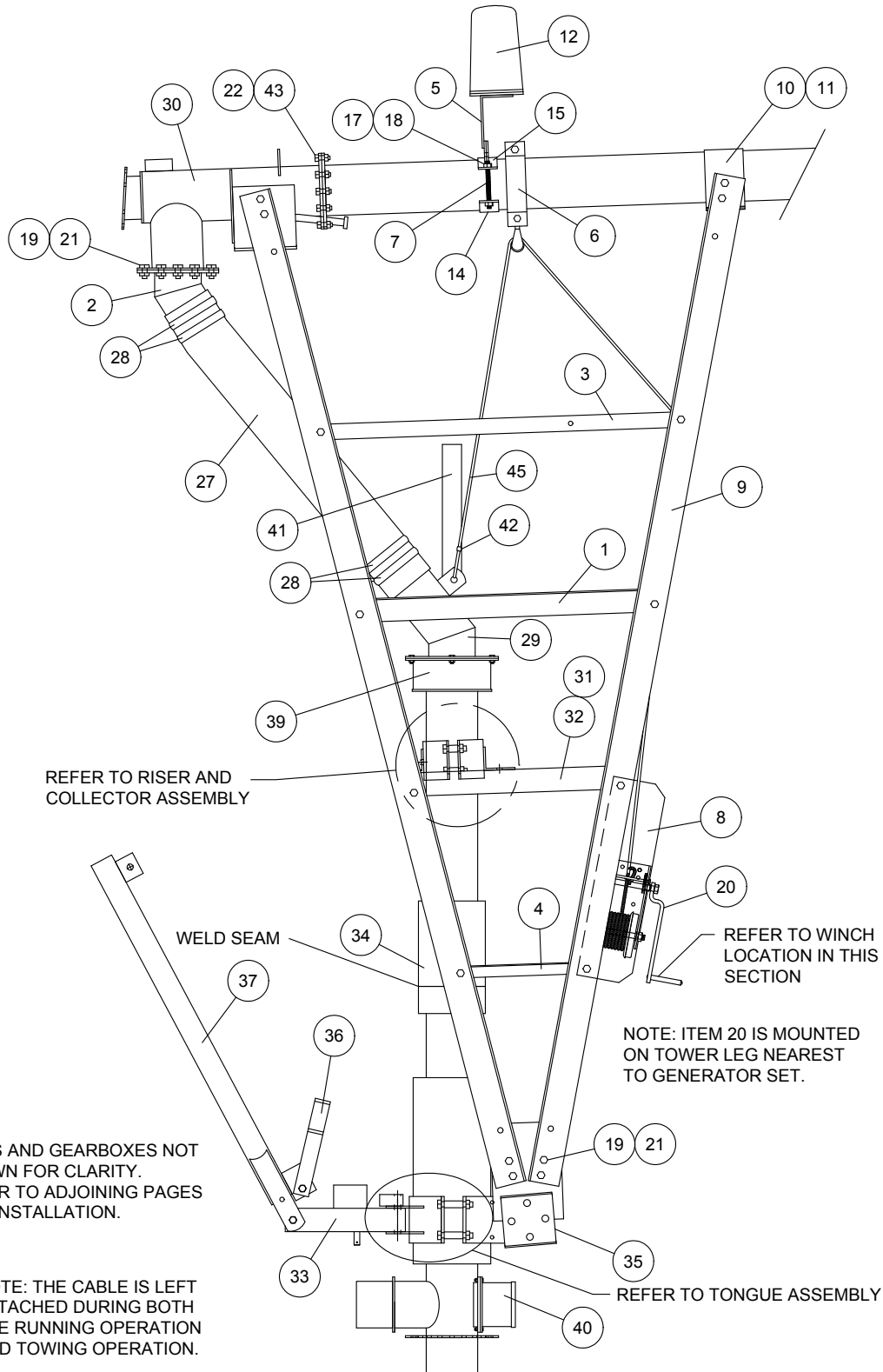


Ref.	Original Part No.	Substitute Part No.	Description
1	03-0639-9		Stabilizer Weldment, 9500MP
2	04-0642-1		Stake, Pivot, 9500MP, 48" Long
3	06-0807-5		Screw, 5/8-11 x 2", Hex, Gr. 5
4	06-2416-3		Nut, 5/8-11, Lock
5	10-4578-0		Anchor Weldment, Riser, 9500MP



# 9500MP

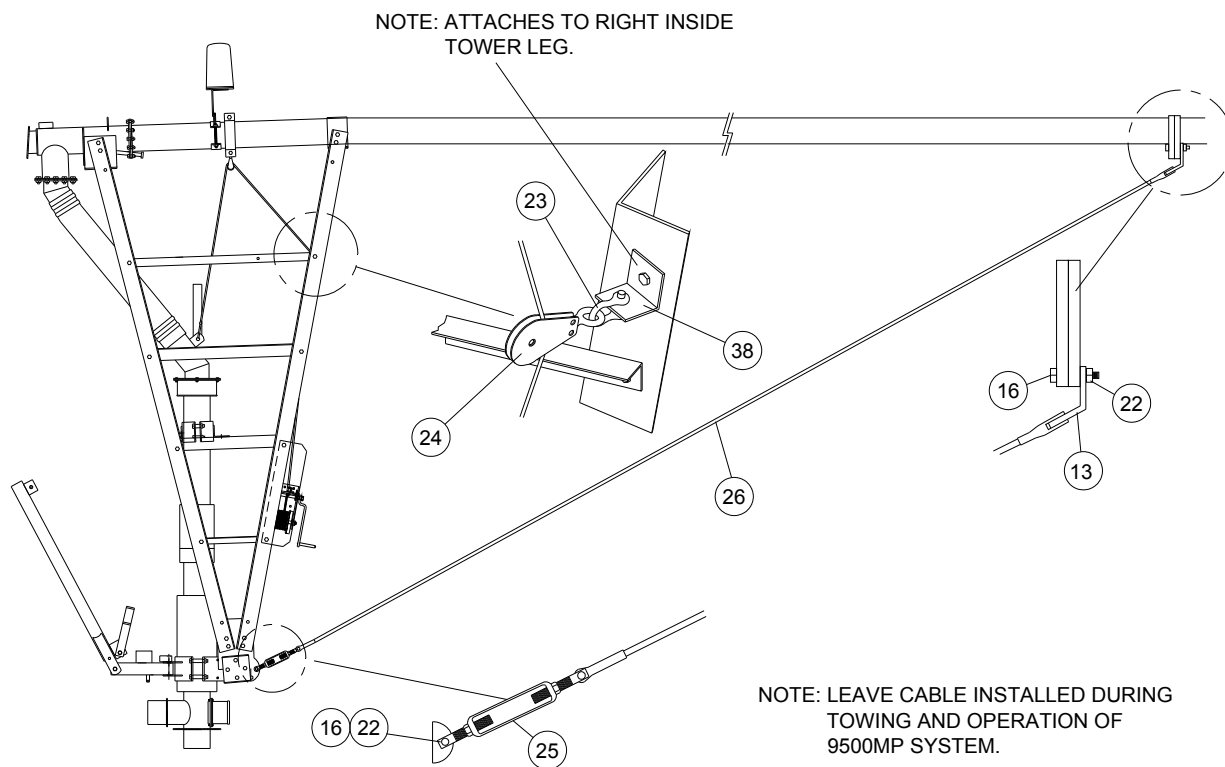
## 9500MP, Intake Tower Assembly (Jan. 1997 to Present)





# 9500MP

## 9500MP, Intake Tower Assembly (Jan. 1997 - Present) (cont'd.)



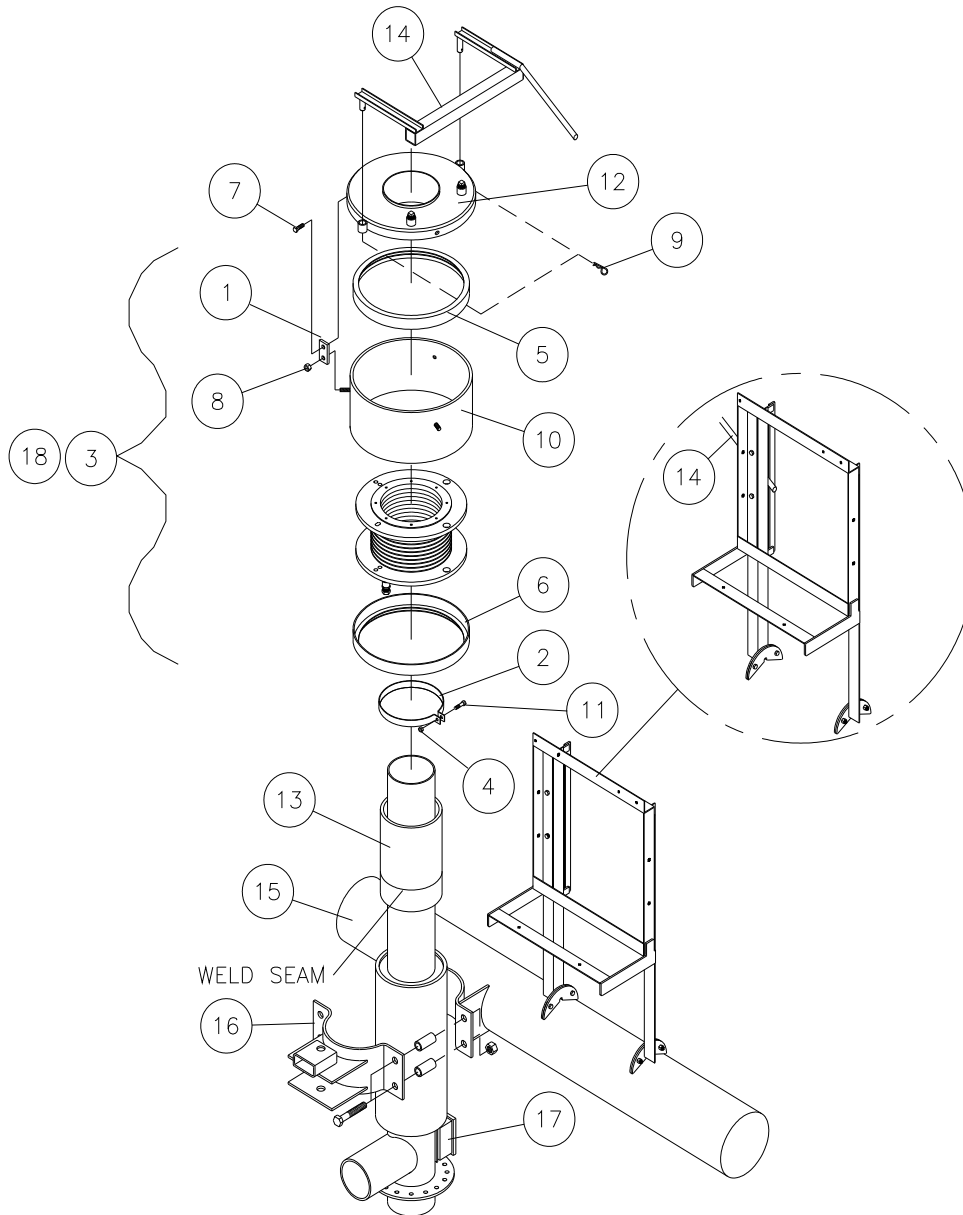
Ref.	Original Part No.	Substitute Part No.	Description
1	03-0513-6		Tie, Tower, Stab. Attach., 36-3/4"
2	03-0608-4		Elbow, 6", Upper, Agri-Tow
3	03-2344-4		Tie, Tower Top, 44-3/8"
4	03-2347-7		Tie, Tower, Bottom, 15-3/4"
5	03-2822-9		Mount Weldment, Tower Panel
6	03-3272-6		Clamp, Saddle, 6-5/8" x 2-1/2"
7	03-5272-4		Rod, Threaded, 1/2-13 x 9"
8	03-5628-7		Plate, Winch Mount, Side Intake
9	03-6741-7		Leg, Tower, 11'
10	03-6751-6		Clamp, Upper Half, 6-5/8" Leg
11	03-6752-4		Clamp, Lower Half, 6-5/8" Leg
12	03-8267-1		Panel, Junction, Boost Trans.
13	04-0649-6		Anchor, Cable, 9500MP
14	04-7243-1		Clamp, Saddle, 5-9/16"-8" x 2-1/2"
15	04-7244-9		Mount, Universal Tower Panel
16	06-0805-9		Screw, 1/2-13 x 2", Hex, Gr. 5
17	06-0814-1		Washer, Lock, 1/2"
18	06-0824-0		Nut, 1/2-13, Hex
19	06-0839-8		Screw, 5/8-11 x 1-1/2", Hex, Gr. 5
20	06-2089-8		Winch, Cable, 1500 lb.
21	06-2416-3		Nut, 5/8-11, Lock
22	06-2418-9		Nut, 1/2-13, Lock
23	06-2624-2		Shackle Assy, 3/8" Anchor

Ref.	Original Part No.	Substitute Part No.	Description
24	06-3479-0		Block, Eye Sw., 3-1/2" Sheave
25	06-4150-6		Turnbuckle, Jaw and Jaw, 5/8"
26	06-4616-6		Cable, 9500MP, 41' 9"
27	10-0586-7		Hose, 6" x 42", 150 PSI
28	10-0587-5		Clamp, T-Bolt, 6"
29	10-4563-2		Elbow, 6", Lower, 9500MP, Mod. 2
30	11-2379-3		Joint, End Fed, 2 WHP
31	11-3950-0		Tie, 2nd from Bottom, 29-7/16", RH
32	11-3951-8		Tie, 2nd from Bottom, 29-7/16", LH
33	11-3954-2		Joint, Hitch
34	11-3958-3		Riser Weldment
35	11-3970-8		Frame Weldment, Swivel
36	11-4243-9		Latch Weldment
37	11-4244-7		Hitch Weldment
38	11-5407-9		Bracket, Pulley, 2"
39	11-5409-5		Coupling Weldment, Riser
40	11-5411-1		Box, Junction, 6 x 6 x 4, Hoffman
41	11-5522-5		Weldment, Drive Post
42	26-0055-9		Clamp, Cable, 1/4"
43	26-0760-4		Screw, 1/2-13 x 1-1/2" Hex, Gr. 5
44	66-1060-4		Gasket, Round Back, Pierce, 6"
45	97-0810-8		Cable, Aircraft, 7 x 19, 1/4"



# 9500MP

## Riser and Collector Ring Assembly (Jan. 1997 - Present)



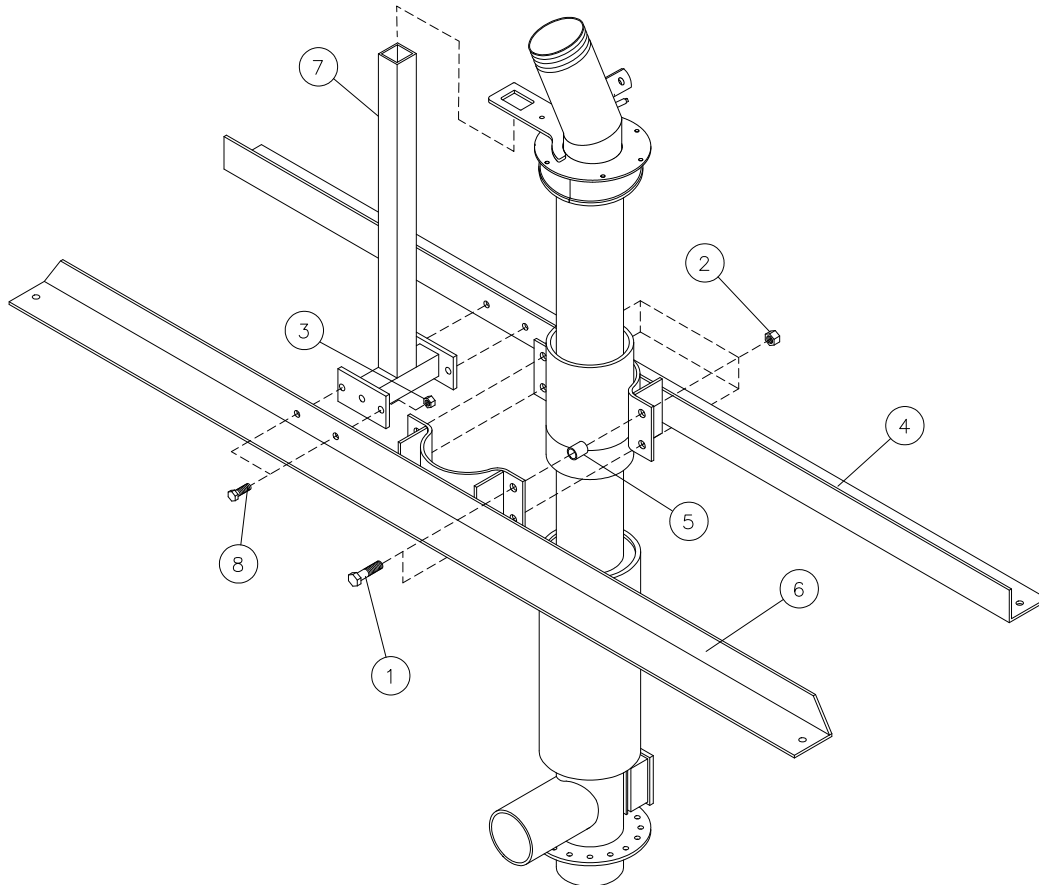
Ref.	Original Part No.	Substitute Part No.	Description
1	03-0860-1		Bracket, Coll. Ring Shield Holder
2	03-4865-6		Band, Collector Ring
3	03-7989-1		Ring Assy, Collector, 10 Wire
4	06-0120-3		Nut, 3/8-16, Hex
5	06-0200-3		Gasket, Collector Ring, Top
6	06-0210-2		Gasket, Collector Ring, Bottom
7	06-0800-0		Screw, 5/16-18 x 3/8", Hex
8	06-0822-4		Nut, 5/16-18, Hex
9	06-0834-9		Pin, Cotter, 1/8" x 1-1/2"

Ref.	Original Part No.	Substitute Part No.	Description
10	06-3091-3		Shield, Collector Ring
11	06-3658-9		Screw, 3/8-16 x 2-1/4", Gr. 5
12	11-3946-8		Cover, Collector Ring
13	11-3958-3		Riser Weldment
14	11-3968-2		Driver Weld., Collector Ring
15	11-3970-8		Frame Weldment, Swivel
16	11-3975-7		Collar Weldment, Front
17	11-5411-1		Box, Junction, 6 x 6 x 4, Hoffman
18	14-8496-0		Ring Assy, Coll., 10 Wire, CE



# 9500MP

## Collar and Drive Post Assembly (Jan. 1997 - Present)

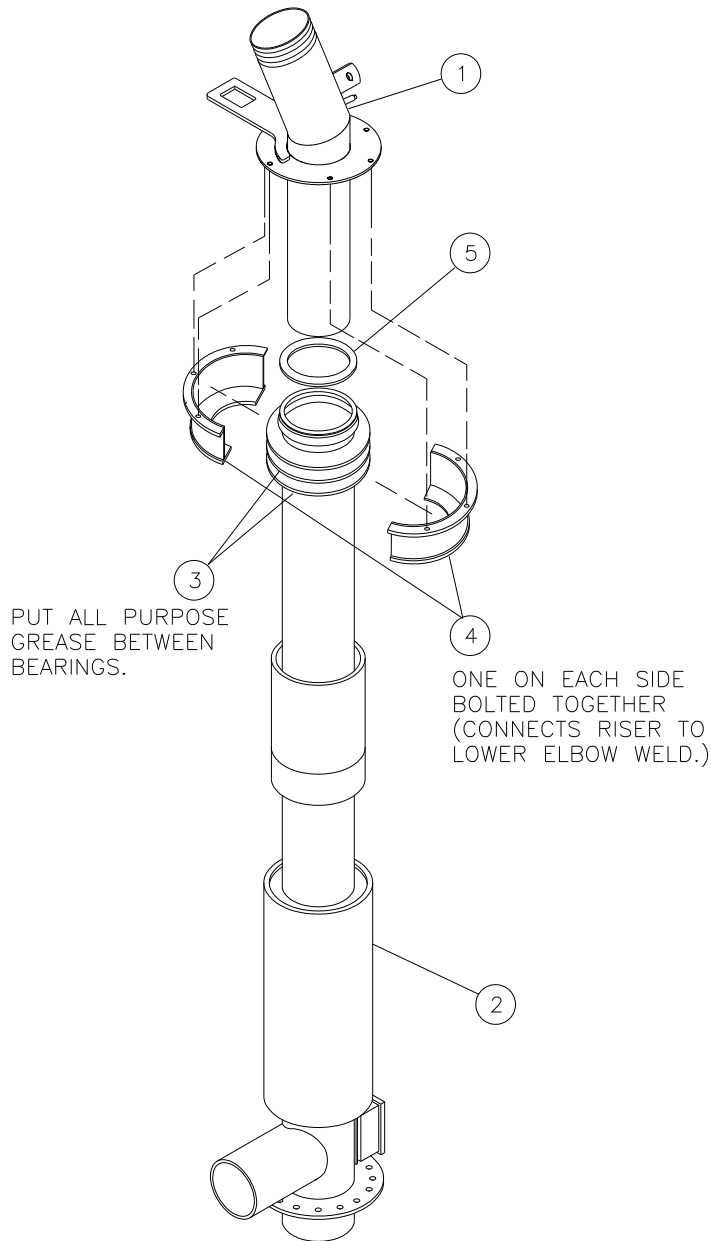


Ref.	Original Part No.	Substitute Part No.	Description
1	06-2406-4		Screw, 5/8-11 x 2-1/2", Hex, Gr. 5
2	06-2416-3		Nut, 5/8-11, Lock
3	06-2418-9		Nut, 1/2-13, Lock
4	10-4556-6		Collar, Weldment, Upper, Rear
5	10-4582-2		Bushing, Clamp
6	11-3953-4		Collar Weldment, Upper, Front
7	11-5522-5		Weldment, Drive Post
8	26-0760-4		Screw, 1/2-13 x 1-1/2", Hex, Gr. 5



# 9500MP

## Riser Detail (Jan. 1997 - Present)

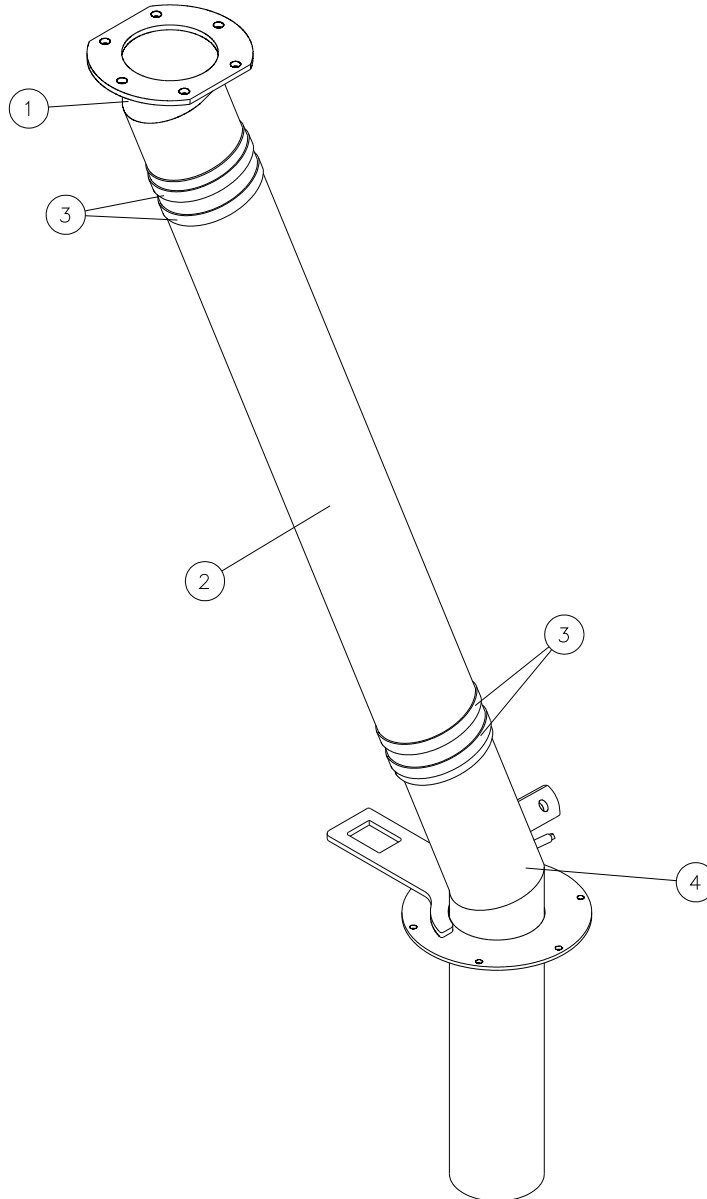


Ref.	Original Part No.	Substitute Part No.	Description
1	10-4563-2		Elbow, 6", Lower, Model 2
2	11-3958-3		Riser Weldment
3	11-5399-8		Bearing, Nylon, 9-7/16" OD x 7" ID x 1/4
4	11-5409-5		Coupling Weldment, Riser
5	11-5410-3		Bearing, Nylon, 7-1/2" OD x 6-1/4" ID



# 9500MP

## Hose Connection (Jan. 1997 - Present)

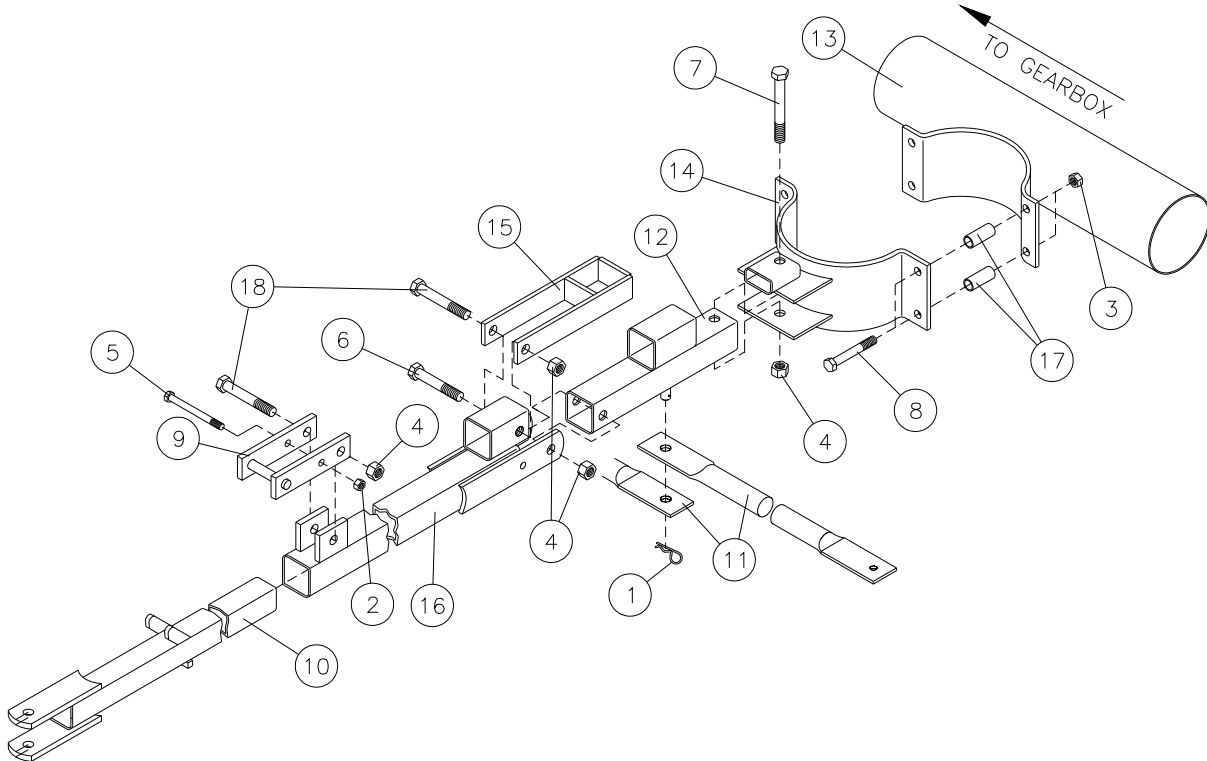


Ref.	Original Part No.	Substitute Part No.	Description
1	03-0608-4		Elbow, 6", Upper
2	10-0586-7		Hose, 6" x 42", 150 PSI
3	10-0587-5		Clamp, T-Bolt, 6"
4	10-4563-2		Elbow, 6", Lower, Model 2



# 9500MP

## Tongue Assembly (Jan. 1997 - Present)

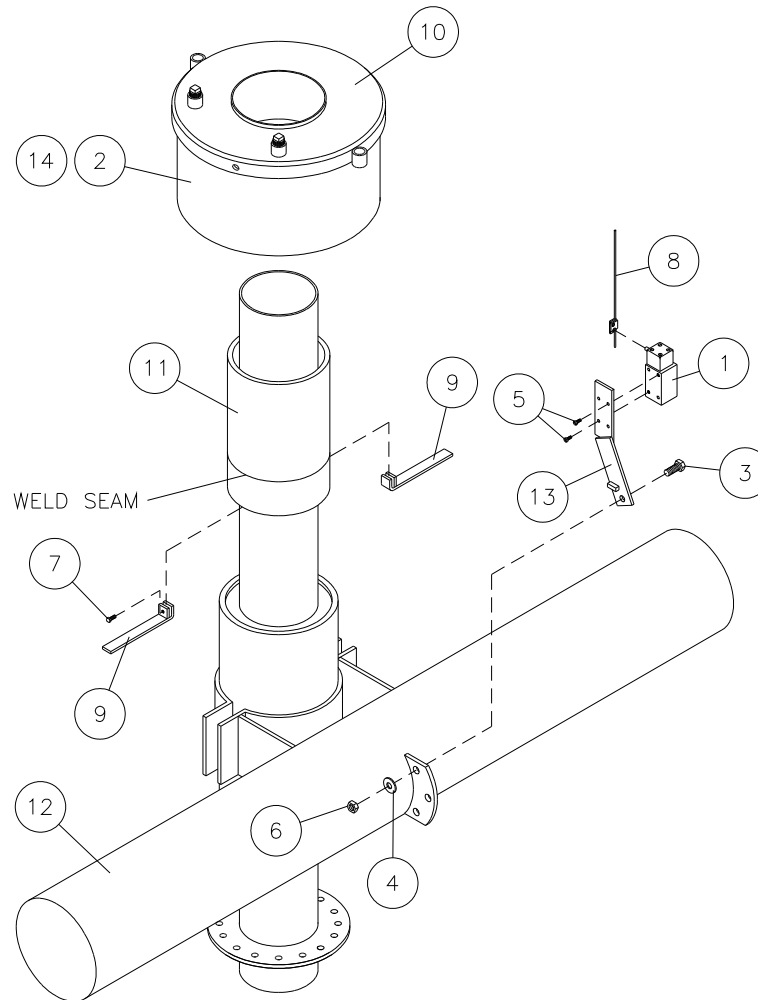


Ref.	Original Part No.	Substitute Part No.	Description
1	06-0560-0		Pin, Hair, 1/2" Shaft, .120 x 2-3/8"
2	06-0824-0		Nut, 1/2-13, Hex
3	06-2416-3		Nut, 5/8-11, Lock
4	06-2417-1		Nut, 3/4-10, Lock
5	06-3070-7		Screw, 1/2-13 x 5-1/2", Hex, Gr. 5
6	06-4007-8		Screw, 3/4-10 x 4-1/2", Hex, Gr. 8
7	06-4008-6		Screw, 3/4-10 x 6", Hex, Gr. 8
8	06-4528-3		Screw, 5/8-11 x 4-1/2", Hex, Gr. 5
9	10-4568-1		Arm Weldment, Hitch
10	10-4571-5		Tongue Weldment
11	11-3949-2		Tie-Rod, Agri-Tow, 84-1/2"
12	11-3954-2		Joint, Hitch
13	11-3970-8		Frame Weldment, Swivel
14	11-3975-7		Collar Weldment, Front
15	11-4243-9		Latch Weldment
16	11-4244-7		Hitch Weldment
17	11-4316-3		Bushing, Clamp, Lower
18	26-1239-8		Screw, 3/4-10 x 5", Hex, Gr. 5



# 9500MP

## Auto End Gun Package Assembly (Jan. 1997 - Present)

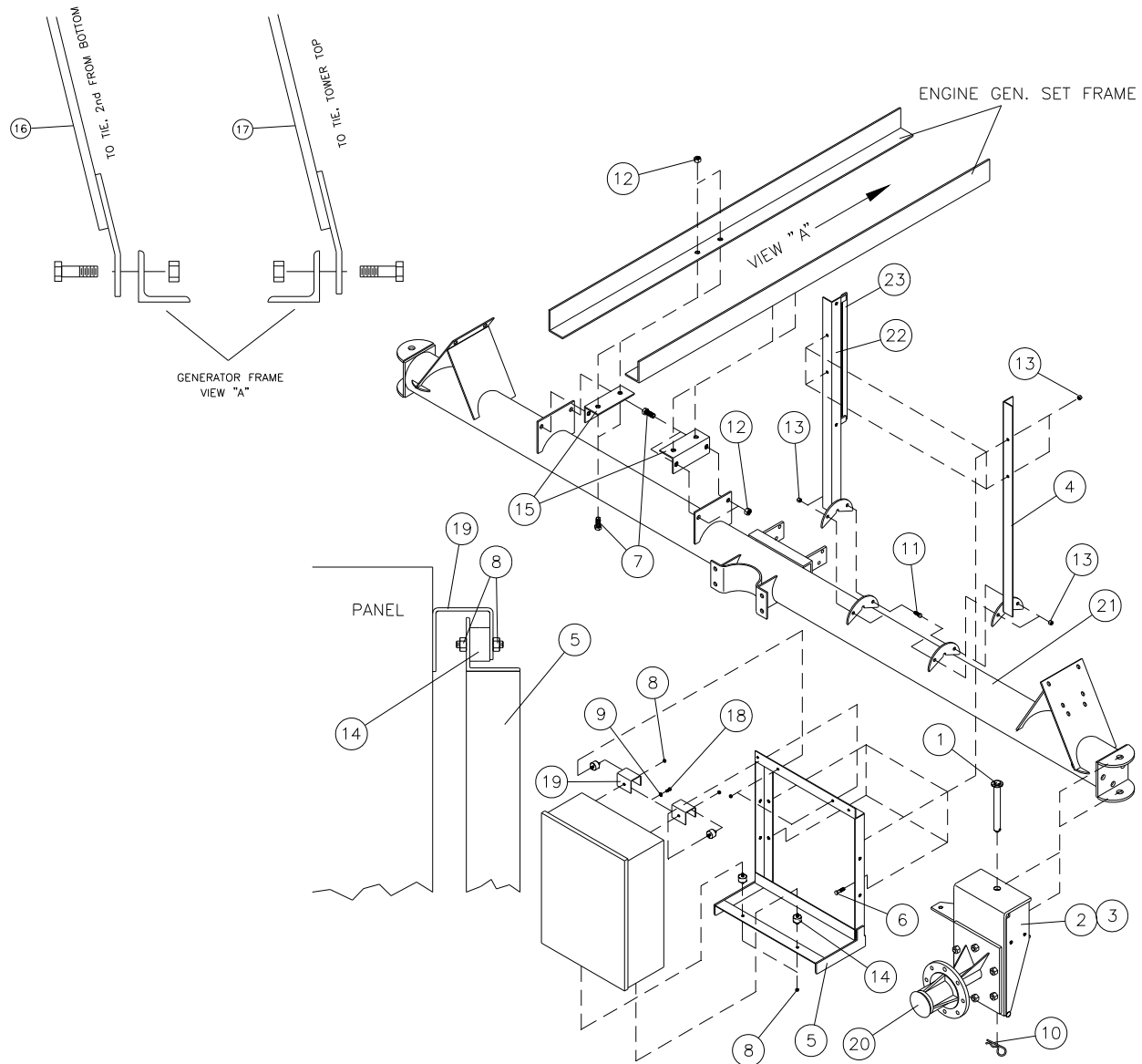


Ref.	Original Part No.	Substitute Part No.	Description
1	03-1003-7		Switch Assy, Auto Rev. w/Stop
2	03-7989-1		Ring Assy, Collector, 10 Wire
3	06-0804-2		Screw, 1/2-13 x 1-1/4", Hex, Gr. 5
4	06-0843-0		Washer, Flat, 1/2"
5	06-0846-3		Screw, #10-32 x 1/2", Sl. Pan Head
6	06-2418-9		Nut, 1/2-13, Lock
7	06-2434-6		Screw, 1/4-20 x 1/2", Hex
8	06-4369-2		Actuator, Switch, Wire Rod
9	10-4587-1		Actuator Weld, Auto-Rev. w/Stop
10	11-3946-8		Shield, Collector Ring
11	11-3958-3		Riser Weldment
12	11-3970-8		Frame Weldment, Swivel
13	11-4250-4		Weldment, Switch Mount
14	14-8496-0		Ring Assy, Coll., 10 Wire, CE



# 9500MP

## Drive Tube Assembly (Jan. 1997 - Present)



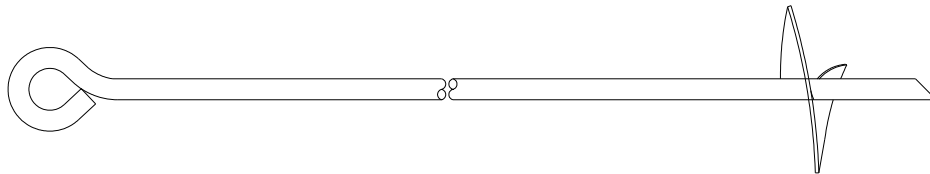
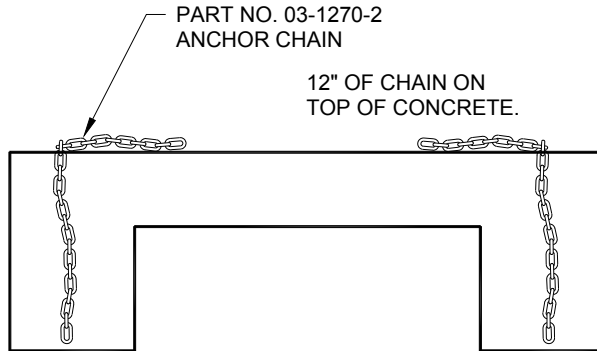
Ref.	Original Part No.	Substitute Part No.	Description
1	03-2158-8		Pin Assembly, Gearbox Mount
2	03-7838-0		Mount Weld, Gearbox, R.H.
3	03-7839-8		Mount Weld, Gearbox, L.H.
4	04-0602-5		Mount Weld, Main Panel, R.H.
5	04-7165-6		Bracket, Main Panel, Universal
6	06-0803-4		Screw, 3/8-16 x 1-1/2", Hex, Gr. 5
7	06-0839-8		Screw, 5/8-11 x 1-1/2", Hex, Gr. 5
8	06-0841-4		Nut, 1/4-20, Hex
9	06-1510-4		Washer, Lock, 1/4"
10	06-2085-6		Pin, Cotter, 1/4" x 2-1/4"
11	06-2221-7		Screw, 3/8-16 x 1", Hex, Gr. 5
12	06-2416-3		Nut, 5/8-11, Lock

Ref.	Original Part No.	Substitute Part No.	Description
13	06-2420-5		Nut, 3/8-16, Lock
14	06-3849-4		Mount, Rubber, Comb. Mn Pnl, 1/4-20
15	10-0598-2		Support, Generator Set
16	10-0606-3		Rod Weldment, Short Hanger
17	10-0608-9		Rod Weldment, Long Hanger
18	10-2985-9		Screw, 1/4-20 x 3/4", Hex, Gr. 5
19	11-2499-9		Bracket, Shock Mount
20	11-2749-7		Spindle Assembly
21	11-3970-8		Frame Weldment, Swivel
22	11-4621-6		Mount Weld, Main Panel, L.H.
23	11-4626-5		Guide, Weld, Pin Capture



# 9500MP

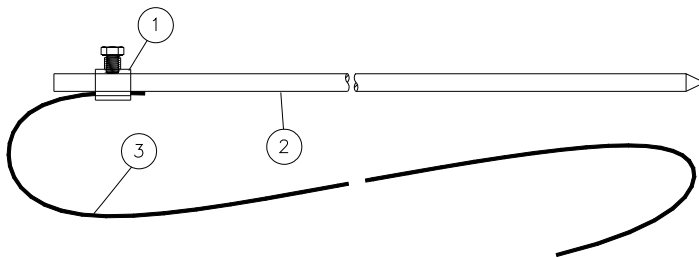
## Earthen Anchor and Anchor Chain



PART NO. 11-6715-4 ANCHOR, EARTHEN, 6" AUGER TYPE

Ref.	Original Part No.	Substitute Part No.	Description
1	03-1270-2		Chain, Anchor, 1/2" x 48", Plated
2	11-6715-4		Anchor, Earthen, 6" Auger Type

## Ground Rod Assembly, 03-0435-2



**NOTE:** Requires 12 of Item #3 for 12'.

Ref.	Original Part No.	Substitute Part No.	Description
1	09-0812-9		Clamp, Ground Rod, 1/2" x #6 Sol. Bronze
2	09-6830-5		Rod, Ground, 1/2" x 8', Copper Clad
3	09-8832-9		Wire, Electric #6 Bare Copper (See Note)



## Table of Contents

<b>Pivot Spans</b> .....	C-3
Spans, 10" Pipe .....	C-3
Truss Assembly, 10" Pipe .....	C-4
Spans, 8-5/8" Pipe .....	C-5
Truss Assembly, 8-5/8" Pipe .....	C-6
Spans, 8" Pipe .....	C-7
Truss Assembly, 8" Pipe .....	C-8
Spans, 6-5/8" Pipe .....	C-9
Truss Assembly, 6-5/8" Pipe .....	C-10
Span Assembly (Pipe Identification) Stainless Steel .....	C-11
Span Assembly (Pipe Identification) 8500P .....	C-13
Span Assembly (Pipe Identification), 8500P (cont'd.) .....	C-14
Span Assembly (Truss Assembly), 8500P .....	C-15
Rod Pockets, 8500P .....	C-19
Spans, 5-9/16" Pipe .....	C-21
Truss Assembly, 5-9/16" Pipe .....	C-23
Rod Pockets .....	C-25
Angle Bundles .....	C-26
Electrical Cable, Span .....	C-26
Electrical Cable Clips on Pipeline .....	C-26
Pipe, Half, 10", 30" Outlets, 03-0953-4 .....	C-27
Pipe, Span, 10", 30" Outlets, 03-0949-2 .....	C-27
Pipe, Half, 10", 90" Outlets, 11-3656-3 .....	C-28
Pipe, Span, 10", 90" Outlets, 11-3657-1 .....	C-28
Pipe, Tower End, 10", 30" Outlets, 11-7852-4 .....	C-29
Pipe, Tower End, 10", 90" Outlets, 12-3322-0 .....	C-30
Pipe, Half, 8-5/8", 30" Outlets, 14-3717-0 .....	C-30
Pipe, Span, 8-5/8", 30" Outlets, 14-3716-0 .....	C-31
Pipe, Half, 8-5/8", 90" Outlets, 14-3713-0 .....	C-31
Pipe, Span, 8-5/8", 90" Outlets, 14-3712-0 .....	C-32
Pipe, Tower End, 8-5/8", 30" Outlets, 14-3718-0 .....	C-32
Pipe, Tower End, 8-5/8", 90" Outlets, 14-3714-0 .....	C-33
Pipe, Half, 8", 30" Outlets, 03-0913-8 .....	C-33
Pipe, Span, 8", 30" Outlets, 03-0917-9 .....	C-34
Pipe, Half, 8", 90" Outlets, 11-3654-8 .....	C-34
Pipe, Span, 8", 90" Outlets, 11-3655-5 .....	C-35
Pipe, Tower End, 8", 30", 11-7853-2 .....	C-35
Pipe, Tower End, 8", 90", 12-33210 .....	C-36
Pipe, Half, 6-5/8", 30" Outlets, 11-3355-2 .....	C-36

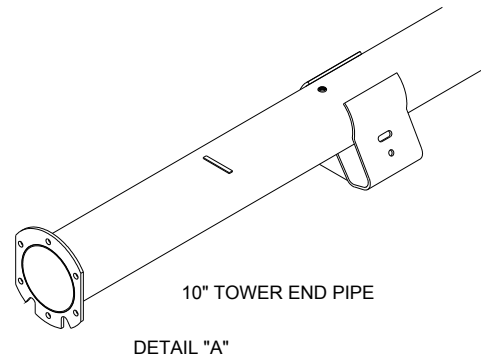
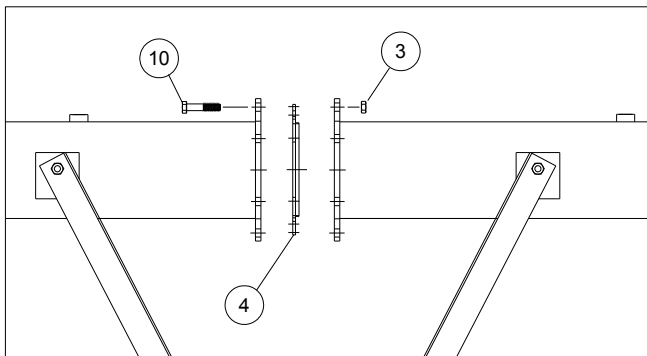
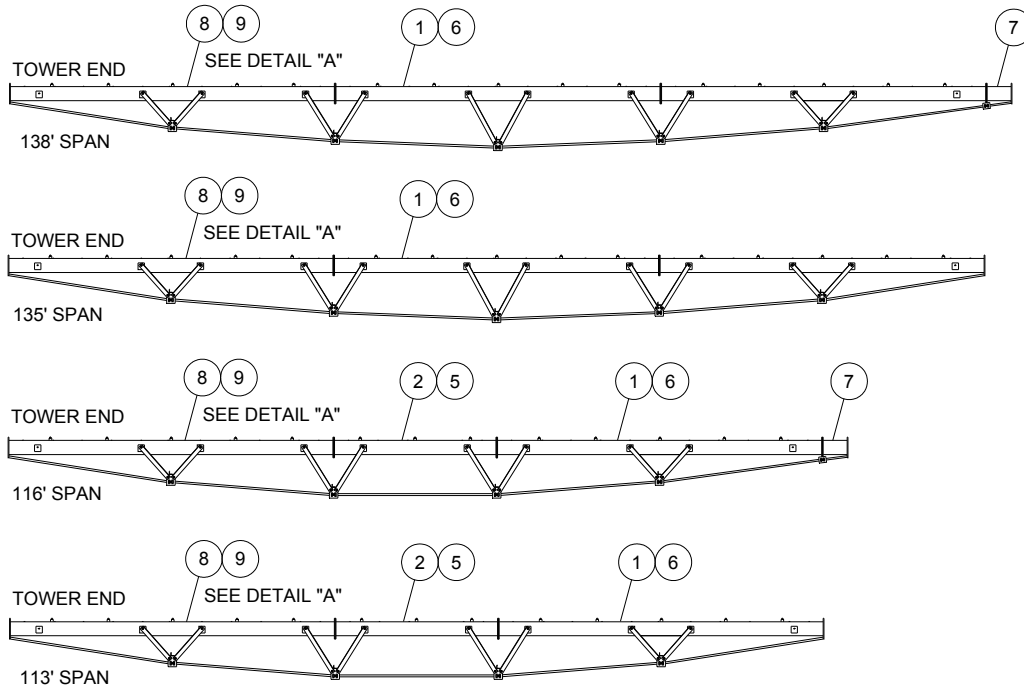
Pipe, Span, 6-5/8", 30" Outlets, 11-3356-0.....	C-37
Pipe, Half, 6-5/8", 90" Outlets, 11-3648-0.....	C-37
Pipe, Span, 6-5/8", 90" Outlets, 11-3649-8.....	C-38
Pipe, Half, 5-9/16", 90" Outlets, 11-3650-6, 12-3005-0.....	C-38
Pipe, Span, 5-9/16", 90" Outlets, 11-3651-4, 12-3006-0 .....	C-38
Pipe, Half, 5-9/16", 30" Outlets, 11-3652-2, 14-4856-0.....	C-39
Pipe, Span, 5-9/16", 30" Outlets, 11-3653-0, 14-4857-0 .....	C-39
Pipe, Extension, 8-5/8" x 11', 16-0010-6 .....	C-40
Pipe, Extension, 8" x 11', 11-3663-9 .....	C-40
Pipe, 8"x 7' 8" Extension, 11-3660-5.....	C-40
Pipe, Extension, 6-5/8" x 11', 11-3658-9 .....	C-41
Pipe, Extension, 6-5/8" x 7' 8", 11-3659-7 .....	C-41
Pipe, Extension, 5-9/16" x 11', 11-8243-5 .....	C-41
Pipe, 5-9/16" x 7' 8" Extension, 11-4776-8.....	C-42
Pipe, Weld, Extensions, 1' and 3' .....	C-43



# C Pivot Spans

## Spans, 10" Pipe

**NOTE:** See page C-25 for span extension truss rods.



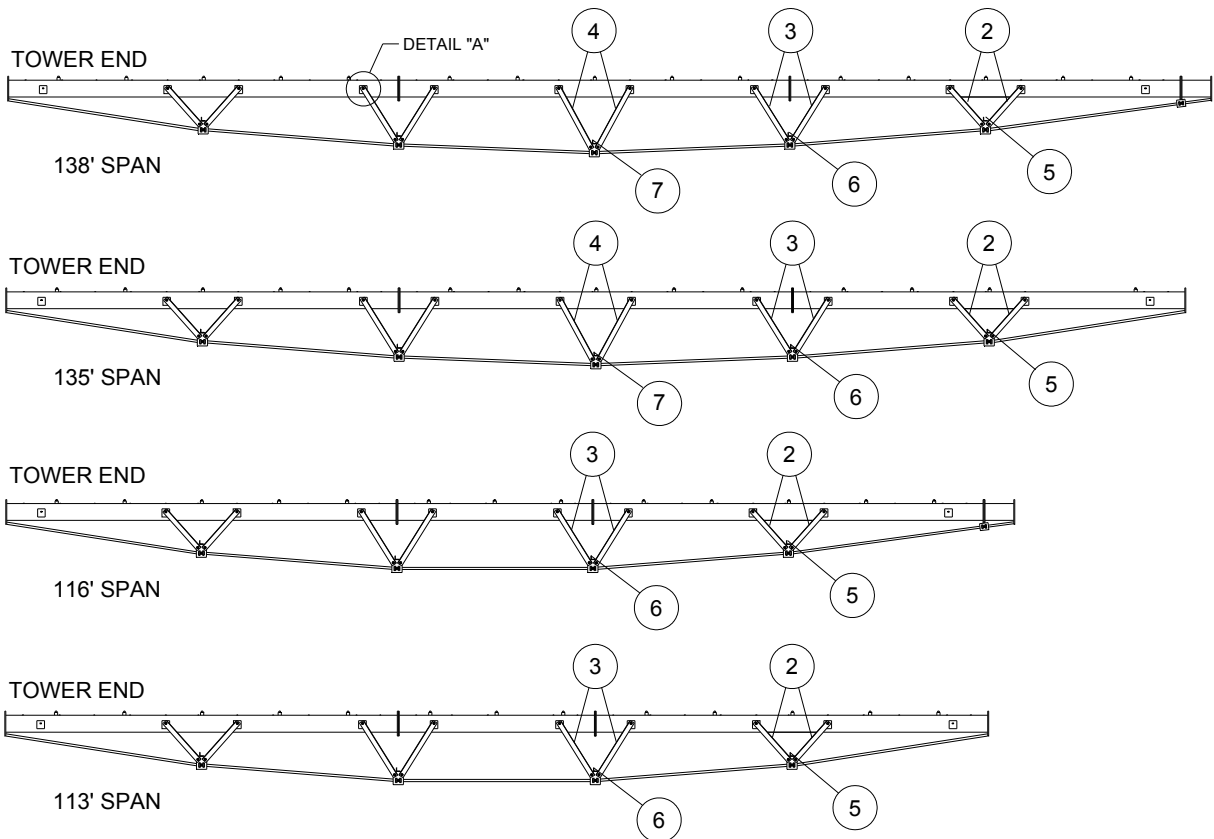
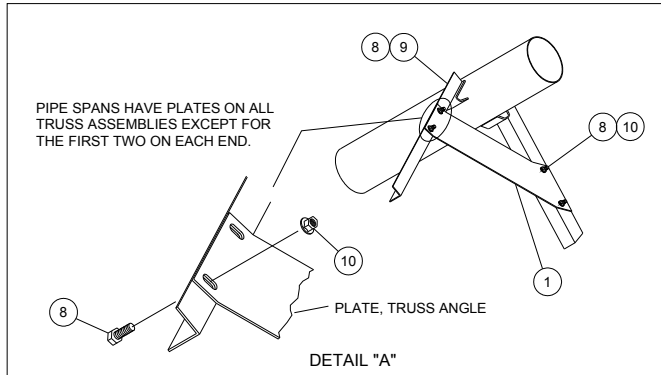
Ref.	Original Part No.	Substitute Part No.	Description
1	03-0949-2		Pipe, Span, 10", 30" Outlets
2	03-0953-4		Pipe, Half, 10", 30" Outlets
3	06-2418-9		Nut, 1/2-13, Lock
4	06-4697-6		Gasket, 10", Pipe Flange
5	11-3656-3		Pipe, Half, 10", 90" Outlets
6	11-3657-1		Pipe, Span, 10", 90" Outlets
7	11-5228-9		Pipe, Weld, Ext., 10" x 36"

Ref.	Original Part No.	Substitute Part No.	Description
8	11-7852-4		Pipe, Tower End, 10", 30" Outlets
9	12-3322-0		Pipe, Tower End, 10", 90" Outlets
10	26-0760-4		Screw, 1/2-13 x 1-1/2", Hex, Gr. 5
11	03-0951-8		Flange, 10" Pipe
12	10-4685-3		Kit, Hardware, 10", 135'/113' Span
13	11-5229-7		Kit, Hardware, 10" Span Extension



# Pivot Spans

## Truss Assembly, 10" Pipe



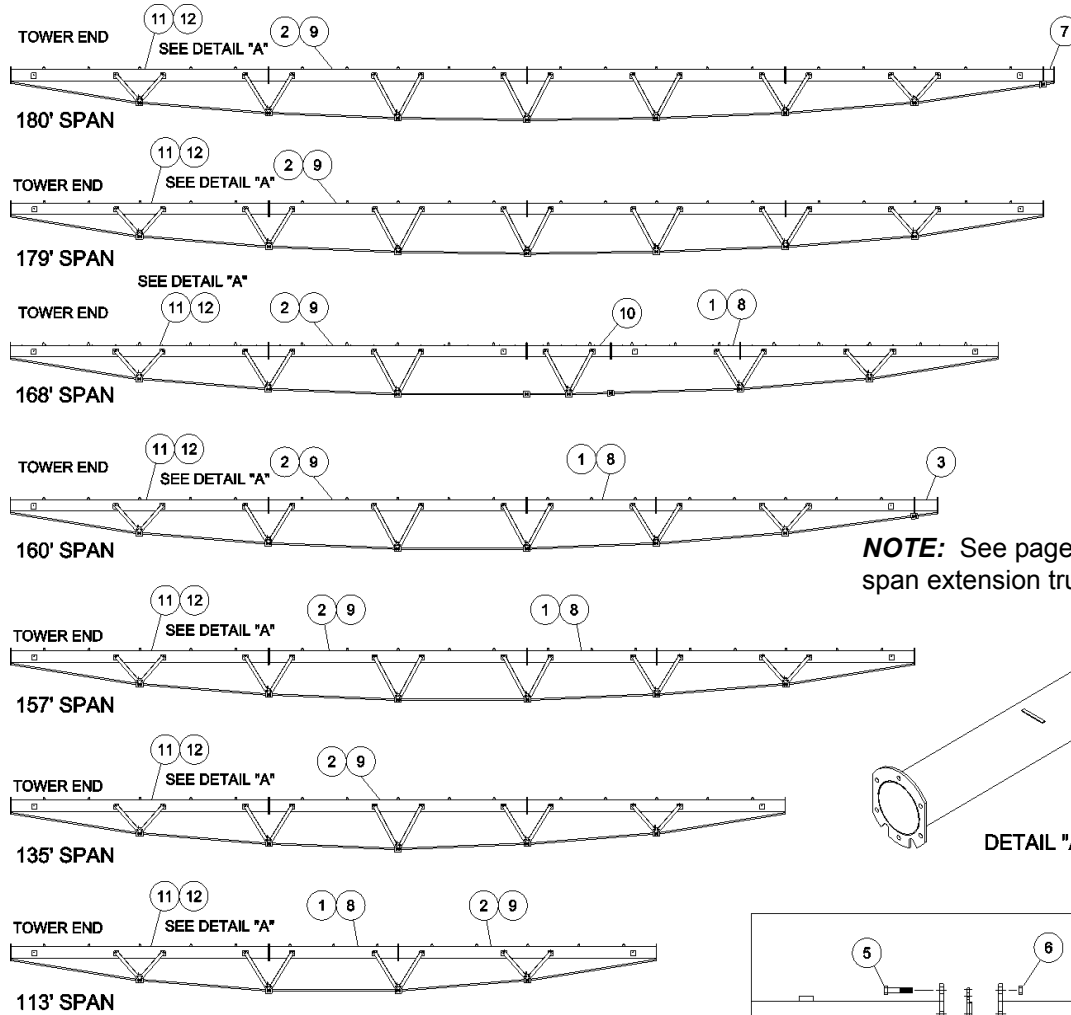
Ref.	Original Part No.	Substitute Part No.	Description
1	03-1023-5		Plate, Truss Angle, 10"
2	03-6709-4		Brace, Truss, 63-1/2"
3	03-6710-2		Brace, Truss, 81-1/4"
4	03-6711-0		Brace, Truss, 97-3/4"
5	03-6713-6		Tie, Truss, 62-1/2"
6	03-6714-4		Tie, Truss, 95-1/2"

Ref.	Original Part No.	Substitute Part No.	Description
7	03-6715-1		Tie, Truss, 123-1/2"
8	06-0804-2		Screw, 1/2-13 x 1-1/4", Hex, Gr. 5
9	06-2418-9		Nut, 1/2-13, Lock
10	11-4529-1		Nut, 1/2-13, Flange, Toplock

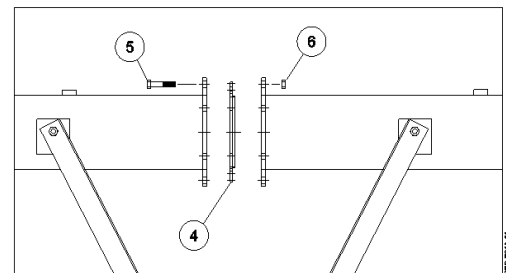
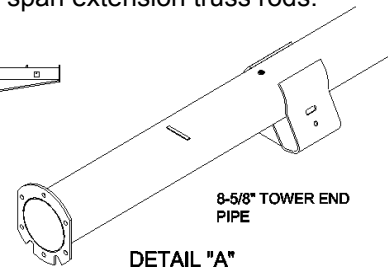


# Pivot Spans

## Spans, 8-5/8" Pipe



**NOTE:** See page C-25 for span extension truss rods.



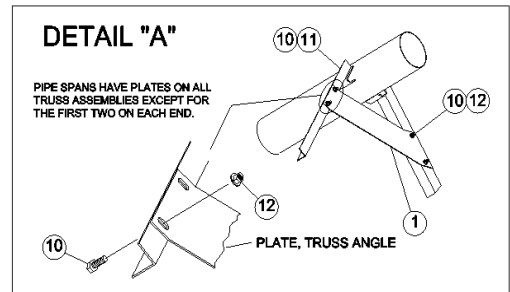
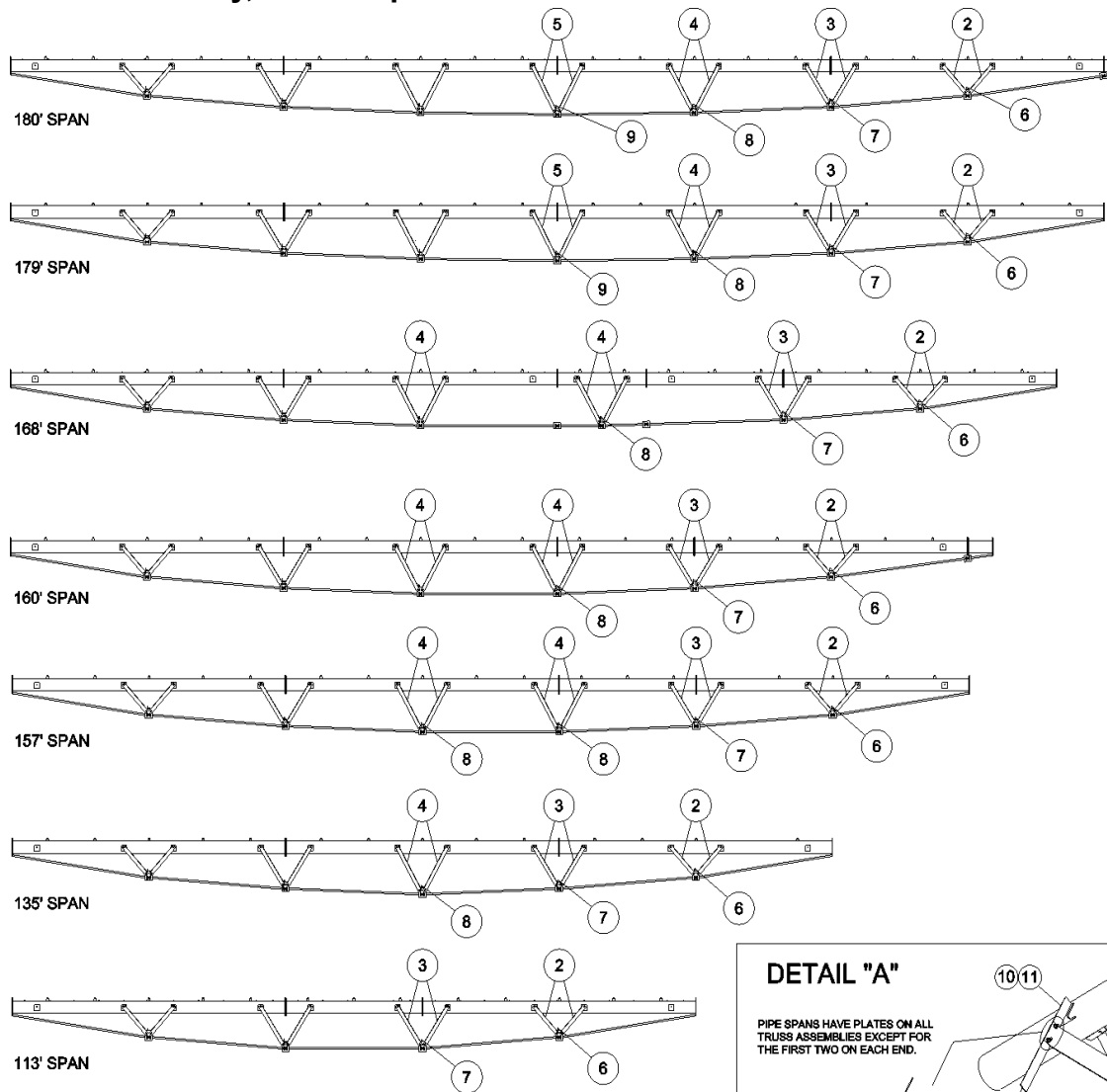
Ref.	Original Part No.	Substitute Part No.	Description
1	14-3717-0		Pipe, Half, 8-5/8", 30" Outlets
2	14-3716-0		Pipe, Span, 8-5/8", 30" Outlets
3	14-3722-0		Pipe, 36" x 8-5/8", Span Ext.
4	14-3711-0		Gasket, Flange, 8-5/8"
5	06-0807-5		Screw, 5/8-11 x 2", Hex, Gr. 5
6	06-2416-3		Nut, 5/8-11, Lock
7	14-4326-0		Pipe, 8-5/8" x 1' Span Ext.
8	14-3713-0		Pipe, Half, 8-5/8", 90" Outlets
9	14-3712-0		Pipe, Span, 8-5/8", 90" Outlets

Ref.	Original Part No.	Substitute Part No.	Description
10	16-0010-6		Pipe, Extension, 8-5/8" x 11'
11	14-3718-0		Pipe, Tower End, 8-5/8", 30"
12	14-3714-0		Pipe, Tower End, 8-5/8", 90"
13	14-3710-0		Flange, Pipe, 8-5/8", w/Slot
14	16-0017-1		Kit, Hardware, 8-5/8", 179' Span
15	14-8975-0		Kit, Hardware, 8-5/8", 157' Span
16	16-0017-0		Kit, Hardware, 8-5/8", 135' Span
17	16-0017-2		Kit, Hardware, 8-5/8" Span Ext.



# Pivot Spans

## Truss Assembly, 8-5/8" Pipe



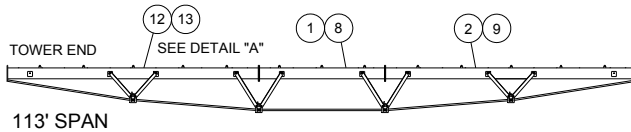
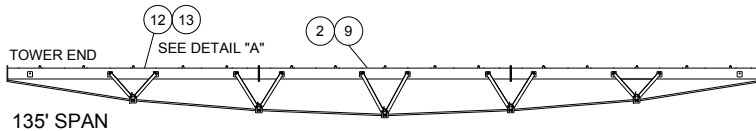
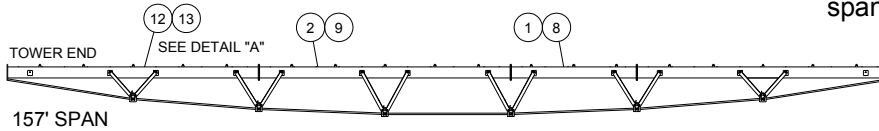
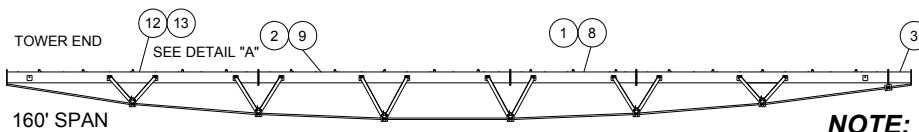
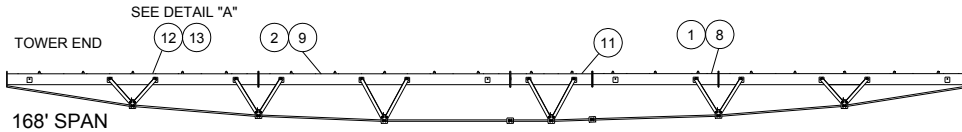
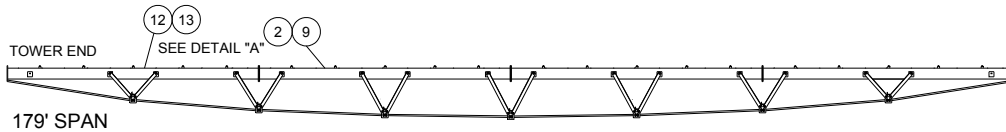
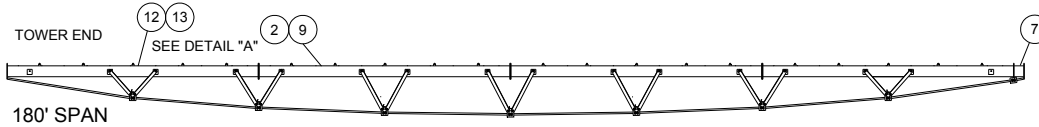
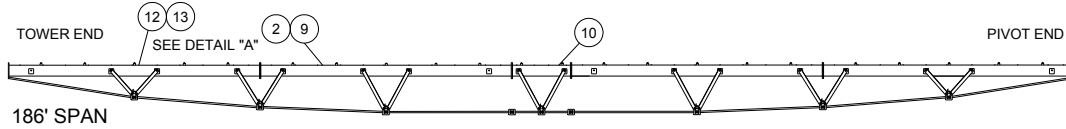
Ref.	Original Part No.	Substitute Part No.	Description
1	14-4310-0		Plate, Truss Angle, 8-5/8"
2	03-6709-4		Brace, Truss, 63-1/2"
3	03-6710-2		Brace, Truss, 81-1/4"
4	03-6711-0		Brace, Truss, 97-3/4"
5	03-6712-8		Brace, Truss, 101-3/4"
6	03-6713-6		Tie, Truss, 62-1/2"
7	03-6714-4		Tie, Truss, 95-1/2"

Ref.	Original Part No.	Substitute Part No.	Description
8	03-6715-1		Tie, Truss, 123-1/2"
9	03-6716-9		Tie, Truss, 129-1/2"
10	06-0804-2		Screw, 1/2-13 x 1-1/4", Hex, Gr. 5
11	06-2418-9		Nut, 1/2-13, Lock
12	11-4529-1		Nut, 1/2-13, Flange, Toplock
13	03-6719-3		Bracket, Truss Mount

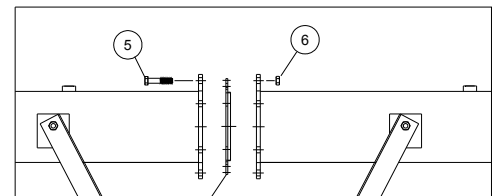
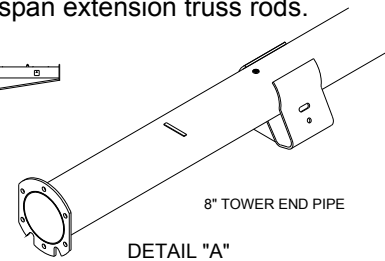


# Pivot Spans

## Spans, 8" Pipe



**NOTE:** See page C-25 for span extension truss rods.



**NOTE:** Item 10 requires 4 of 03-6711-0 and 1 of 03-6715-1 (see page C-6).

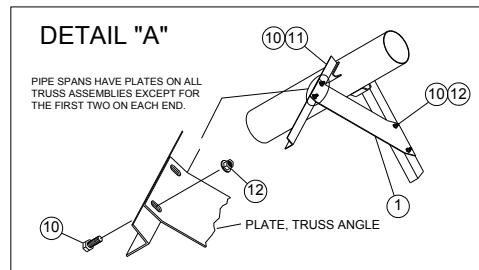
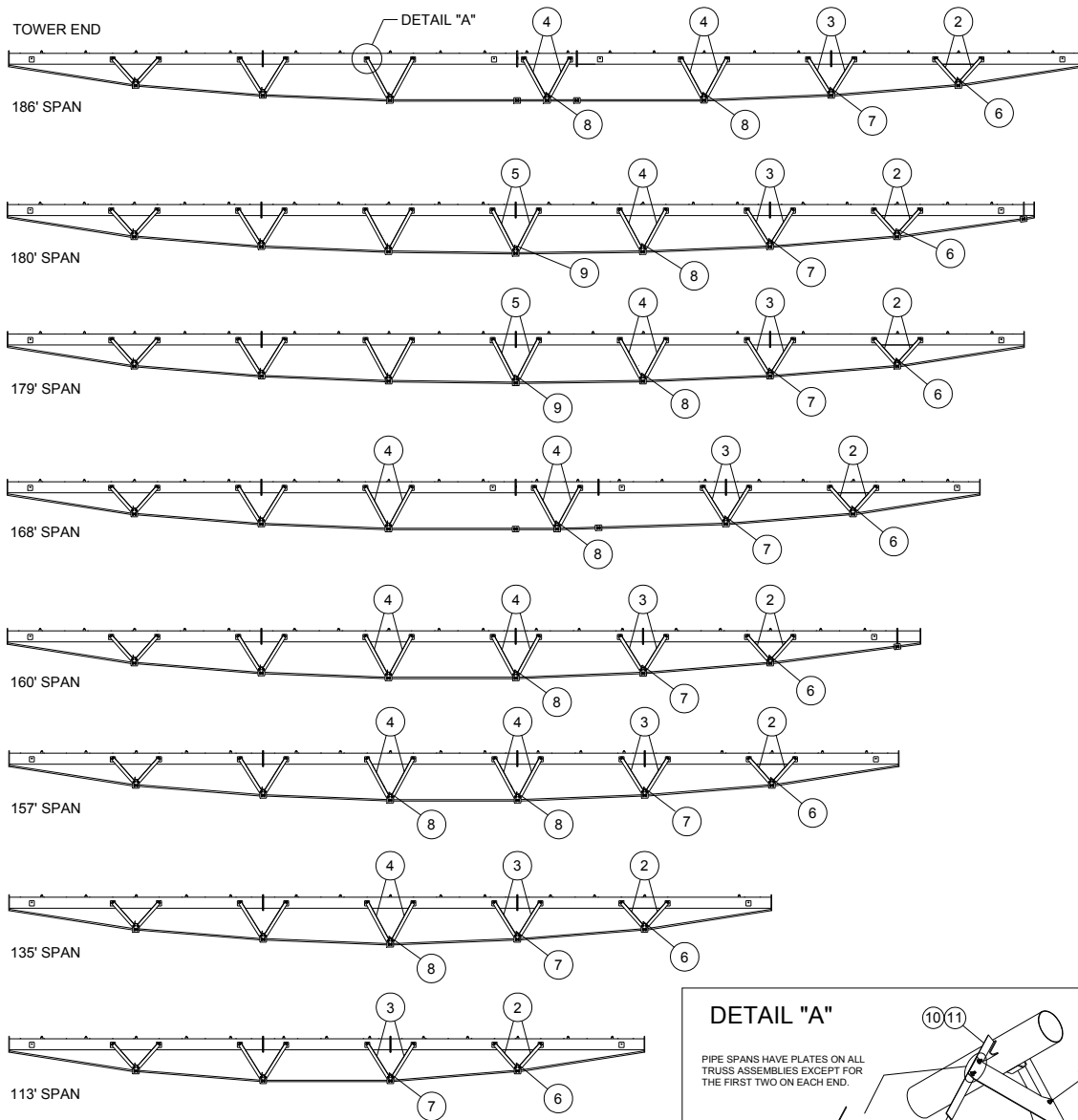
Ref.	Original Part No.	Substitute Part No.	Description
1	03-0913-8		Pipe, Half, 8", 30" Outlets
2	03-0917-9		Pipe, Span, 8", 30" Outlets
3	03-8247-3		Pipe, 36" x 8", Span Ext.
4	06-0795-2		Gasket, Flange, 8"
5	06-0807-5		Screw, 5/8-11 x 2", Hex, Gr. 5
6	06-2416-3		Nut, 5/8-11, Lock
7	11-3438-6		Pipe, 8" x 1' Span Ext.
8	11-3654-8		Pipe, Half, 8", 90" Outlets
9	11-3655-5		Pipe, Span, 8", 90" Outlets

Ref.	Original Part No.	Substitute Part No.	Description
10	11-3660-5		Pipe, Extension, 8" x 7' 8"
11	11-3663-9		Pipe, Extension, 8" x 11'
12	11-7853-2		Pipe, Tower End, 8", 30" Outlets
13	12-3321-0		Pipe, Tower End, 8", 90" Outlets
14	03-0678-7		Flange, Pipe, 8", w/Slot
15	11-3011-1		Kit, Hardware, 8", 179' Span
16	10-4684-6		Kit, Hardware, 8", 157' Span
17	10-4683-8		Kit, Hardware, 8", 135' Span
18	03-0146-5		Kit, Hardware, 8" Span Extension



# Pivot Spans

## Truss Assembly, 8" Pipe



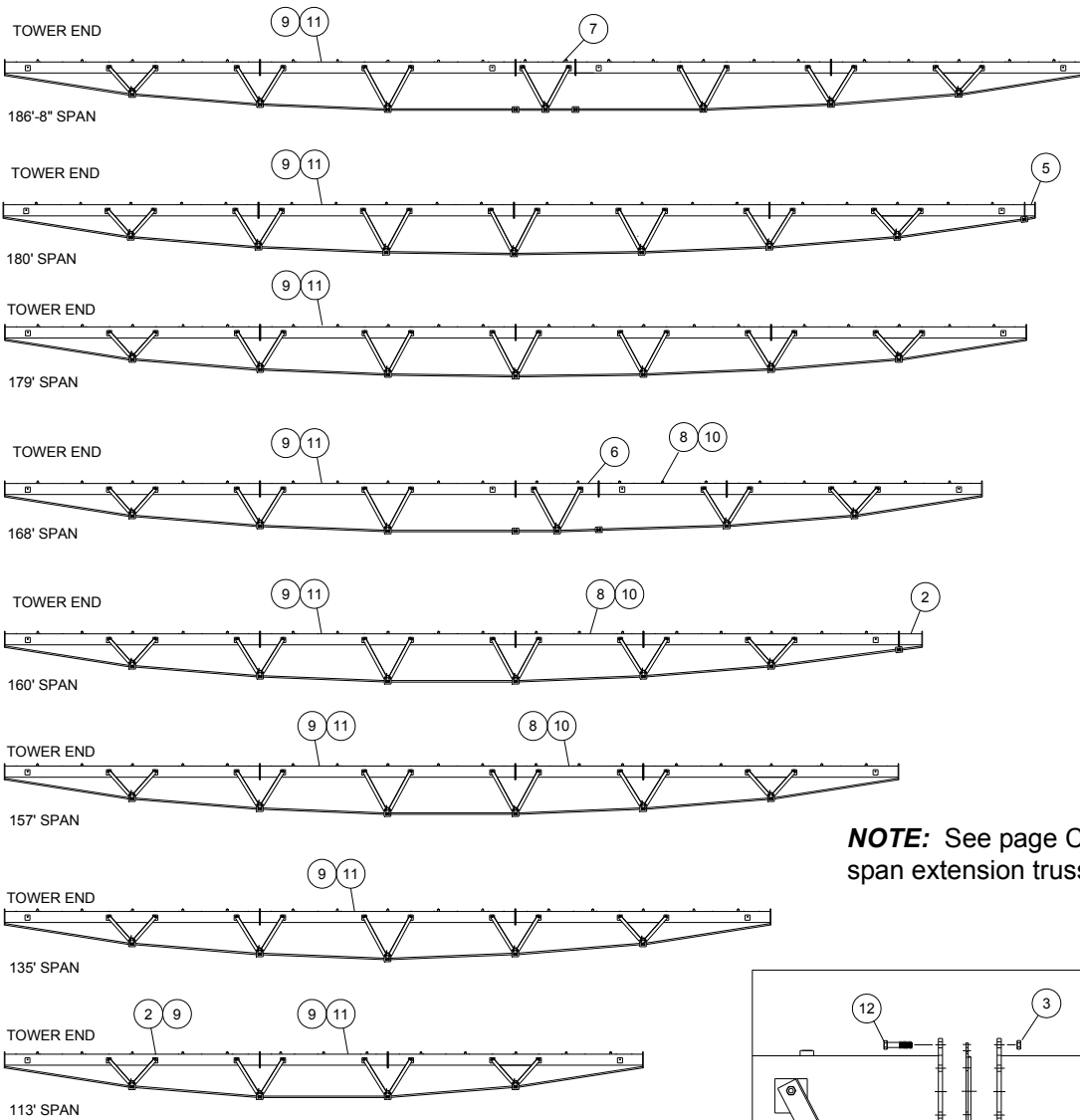
Ref.	Original Part No.	Substitute Part No.	Description
1	03-0514-4		Plate, Truss Angle, 8"
2	03-6709-4		Brace, Truss, 63-1/2"
3	03-6710-2		Brace, Truss, 81-1/4"
4	03-6711-0		Brace, Truss, 97-3/4"
5	03-6712-8		Brace, Truss, 101-3/4"
6	03-6713-6		Tie, Truss, 62-1/2"
7	03-6714-4		Tie, Truss, 95-1/2"

Ref.	Original Part No.	Substitute Part No.	Description
8	03-6715-1		Tie, Truss, 123-1/2"
9	03-6716-9		Tie, Truss, 129-1/2"
10	06-0804-2		Screw, 1/2-13 x 1-1/4", Hex, Gr. 5
11	06-2418-9		Nut, 1/2-13, Lock
12	11-4529-1		Nut, 1/2-13, Flange, Toplock
13	03-6719-3		Bracket, Truss Mount

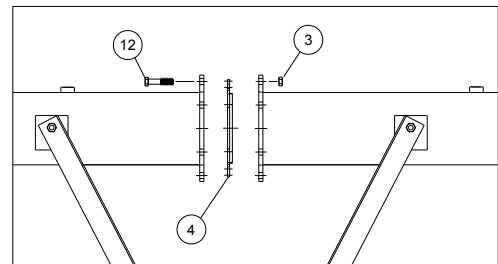


# Pivot Spans

## Spans, 6-5/8" Pipe



**NOTE:** See page C-25 for span extension truss rods.



**NOTE:** Item 7 requires 4 of 03-6711-0 and 1 of 03-6715-1 (see page C-8).

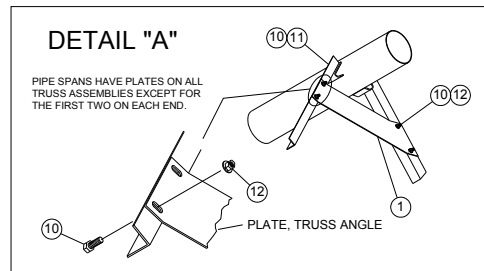
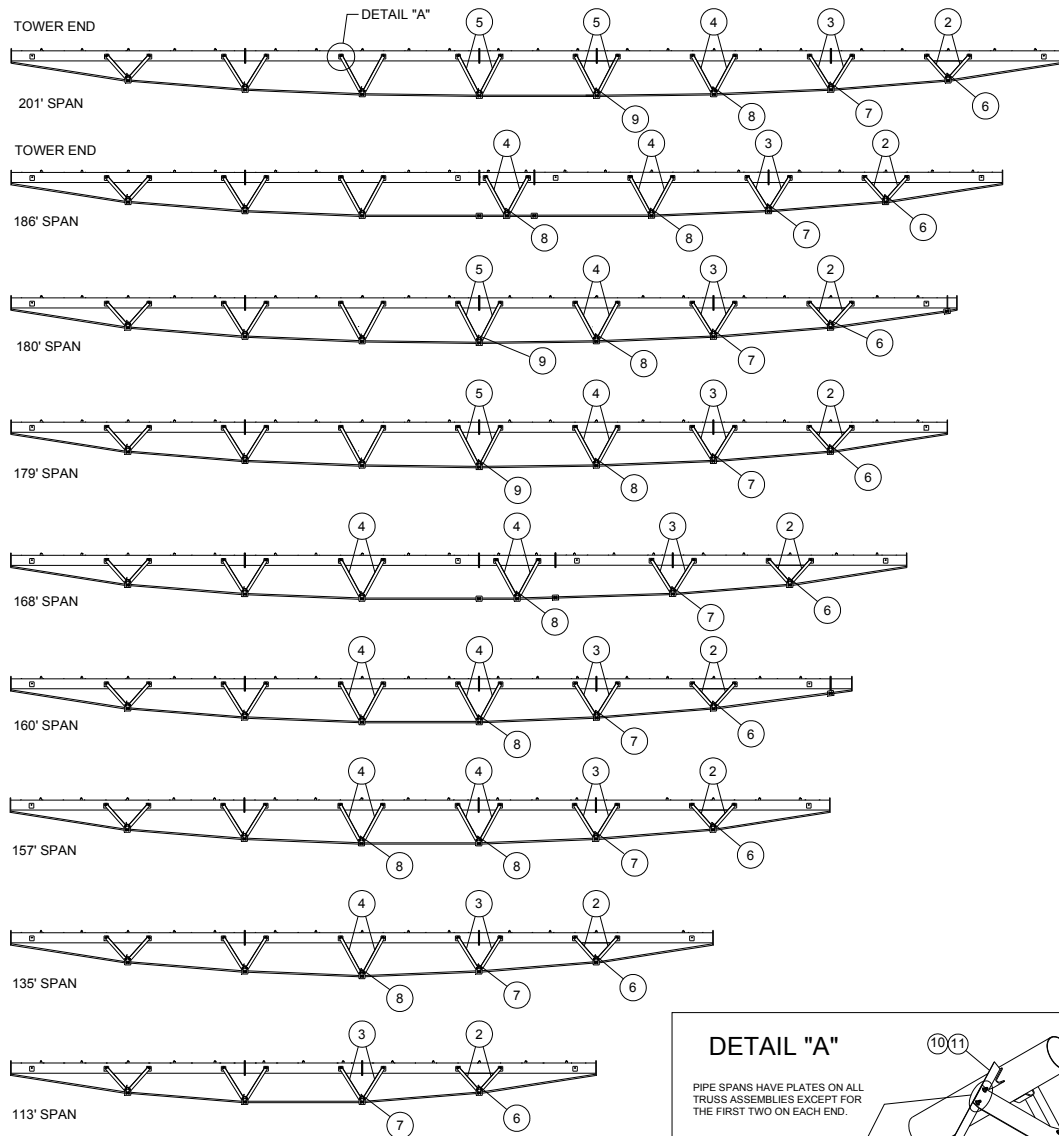
Ref.	Original Part No.	Substitute Part No.	Description
1	03-0708-2		Flange, Pipe, 6-5/8", w/Slot
2	03-8242-4		Pipe, 6-5/8" x 3' Extension
3	06-2418-9		Nut, 1/2-13, Lock
4	06-4486-4		Gasket, 6-5/8", Pipe Flange
5	11-0037-9		Pipe, 6-5/8" x 1' Extension
6	11-3658-9		Pipe, 6-5/8" x 11' Extension
7	11-3659-7		Pipe, 6-5/8" x 7' 8" Extension
8	11-3355-2		Pipe, Half, 6-5/8", 30" Outlets
9	11-3356-0		Pipe, Span, 6-5/8", 30" Outlets

Ref.	Original Part No.	Substitute Part No.	Description
10	11-3648-0		Pipe, Half, 6-5/8", 90" Outlets
11	11-3649-8		Pipe, Span, 6-5/8", 90" Outlets
12	26-0760-4		Screw, 1/2-13 x 1-1/2", Hex, Gr. 5
13	03-0096-2		Kit, Hardware, 6-5/8", 201' Span
14	03-0095-4		Kit, Hardware, 6-5/8", 179' Span
15	03-0094-7		Kit, Hardware, 6-5/8", 157' Span
16	03-0089-7		Kit, Hardware, 6-5/8", 135' Span
17	10-0623-8		Kit, Hardware, 6-5/8" Span Ext.



# Pivot Spans

## Truss Assembly, 6-5/8" Pipe



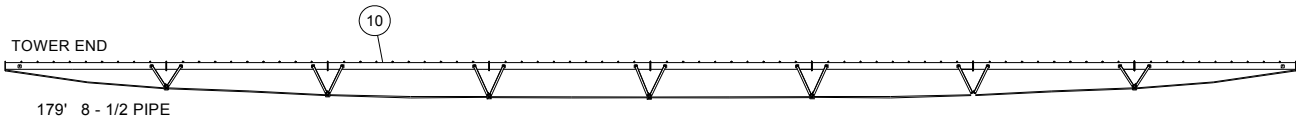
Ref.	Original Part No.	Substitute Part No.	Description
1	03-0498-0		Plate, Truss Angle, 6-5/8"
2	03-6709-4		Brace, Truss, 63-1/2"
3	03-6710-2		Brace, Truss, 81-1/4"
4	03-6711-0		Brace, Truss, 97-3/4"
5	03-6712-8		Brace, Truss, 101-3/4"
6	03-6713-6		Tie, Truss, 62-1/2"
7	03-6714-4		Tie, Truss, 95-1/2"

Ref.	Original Part No.	Substitute Part No.	Description
8	03-6715-1		Tie, Truss, 123-1/2"
9	03-6716-9		Tie, Truss, 129-1/2"
10	06-0804-2		Screw, 1/2-13 x 1-1/4", Hex, Gr. 5
11	06-2418-9		Nut, 1/2-13, Lock
12	11-4529-1		Nut, 1/2-13, Flange, Toplock
13	03-6719-3		Bracket, Truss Mount

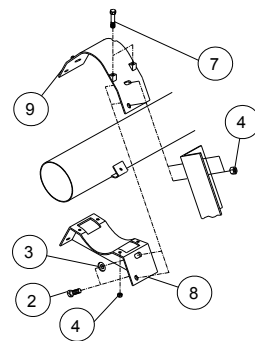
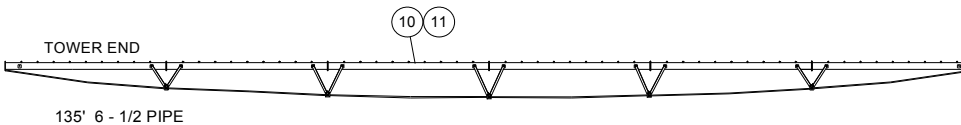
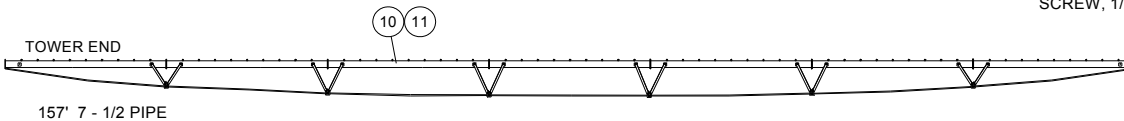


# Pivot Spans

## Span Assembly (Pipe Identification) Stainless Steel



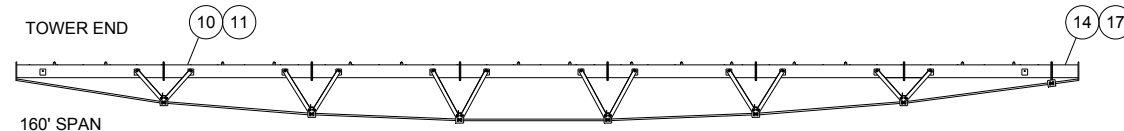
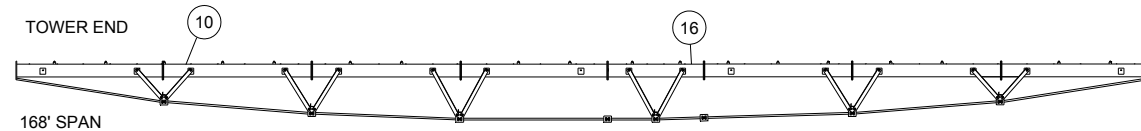
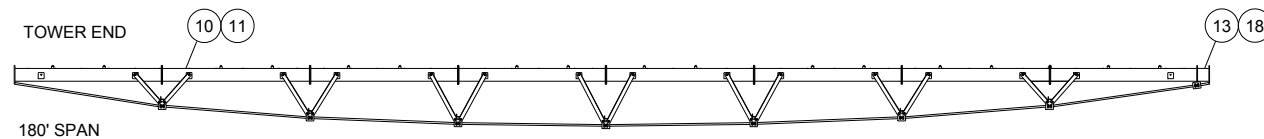
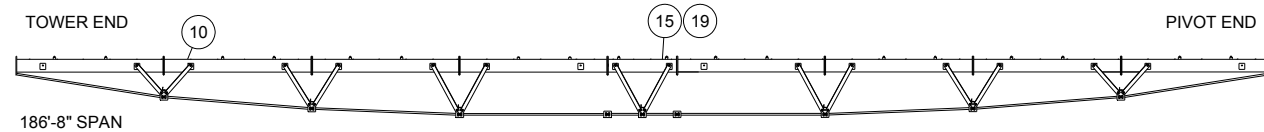
FLANGE SCREWS  
SCREW, 5/8 x 2" - 8" PIPE  
SCREW, 1/2 x 1-1/2" - 6-5/8" PIPE



8" TOWER LEG CLAMP DETAIL

MAKE SURE SPANS ARE NOT TILTED WHEN TIGHTENING BOLTS. IF THERE IS A TILT TO THE SPAN, LOOSEN BOLTS, LEVEL SPAN, AND RE-TIGHTEN BOLTS.

MAKE SURE SPANS ARE NOT TILTED WHEN TIGHTENING BOLTS. IF THERE IS A TILT TO THE SPAN, LOOSEN BOLTS, LEVEL SPAN, AND RE-TIGHTEN BOLTS.



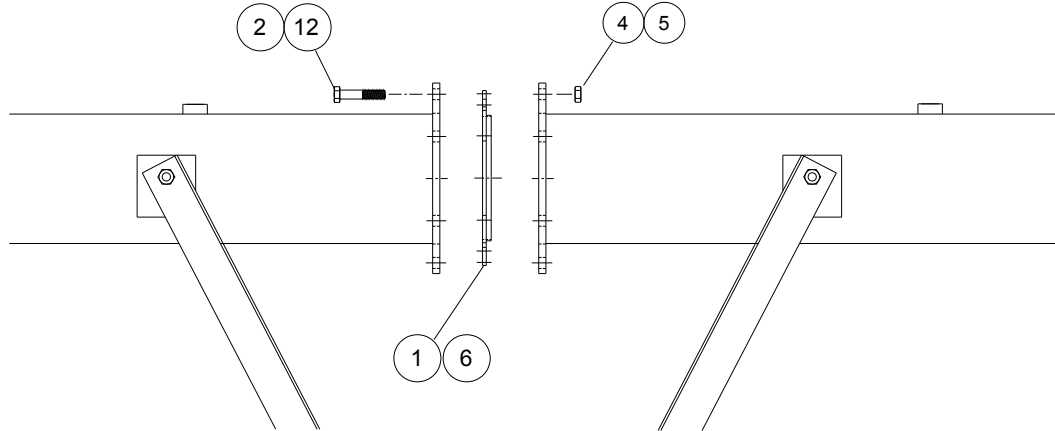
FLANGE SCREWS  
SCREW, 5/8 X 2" - 8" PIPE  
SCREW, 1/2 X 1-1/2 - 6-5/8" & 10" PIPE  
SCREW, 3/8 X 1-1/2 - 5-9/16" PIPE

NOTE: WHILE SUSPENDING THE SPAN DURING ERECTION, ALIGN THE ROD ANCHORS BEFORE TIGHTENING TO ALLOW A BOX WRENCH TO FIT ONTO THE SCREW HEAD WHEN TIGHTENING THE TRUSS SCREW.



# Pivot Spans

## Span Assembly (Pipe Identification) Stainless Steel

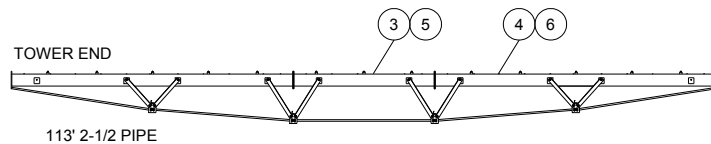
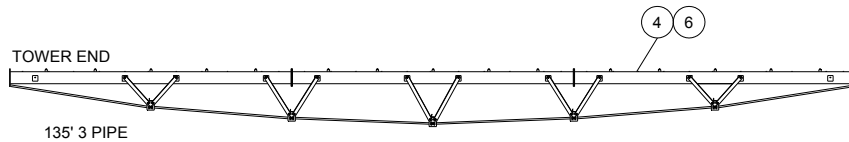
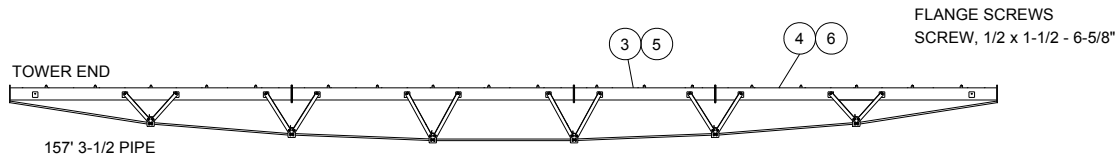
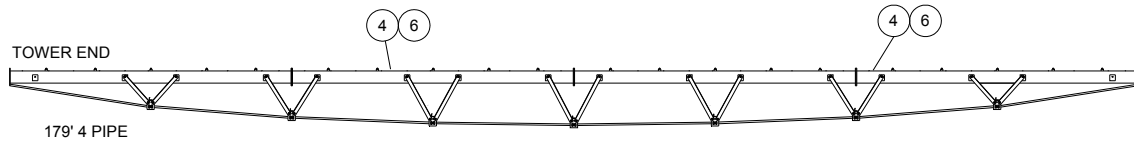
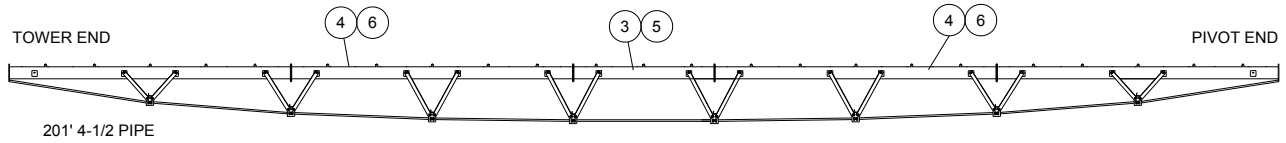


Ref.	Part No.	Description
1	6-0795-2	Gasket, Flange, 8"
2	6-0807-5	Screw, 5/8-11 x 2", Hex, Gr. 5
3	6-0818-2	Washer, Flat, 5/8"
4	6-2416-3	Nut, 5/8-11, Lock
5	6-2418-9	Nut, 1/2-13, Lock
6	6-4486-4	Gasket, 6-5/8", Pipe Flange
7	6-4528-3	Screw, 5/8-11 x 4-1/2", Hex, Gr. 5
8	11-6424-3	Clamp Weld, Lower Half, 8"
9	11-6428-4	Clamp Weld, Upper Half, 8"
10	12-1043-0	Pipe, Half, 6-5/8", 30" Outlets
11	12-1044-0	Pipe, Half, 8", 30" Outlets
12	26-0760-4	Screw, 1/2-13 x 1-1/2", Hex, Gr. 5
13	11-6738-6	Pipe, Weld, Extension, 6-5/8" x 12"
14	12-5773-0	Pipe, Weld, Extension, 6-5/8" x 36"
15	14-0435-0	Pipe, Weld, Extension, 6-5/8" x 7'8"
16	14-0438-0	Pipe, Weld, Extension, 6-5/8" x 11'
17	14-0430-0	Pipe, Weld, Extension, 8" x 36"
18	14-0433-0	Pipe, Weld, Extension, 8" x 12"

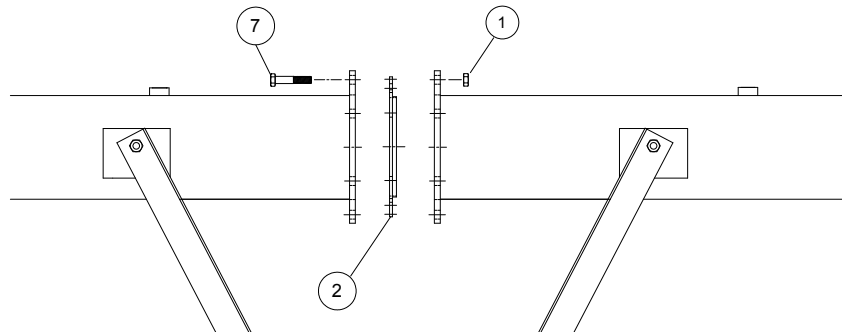


# Pivot Spans

## Span Assembly (Pipe Identification) 8500P



FLANGE SCREWS  
SCREW, 1/2 x 1-1/2 - 6-5/8"



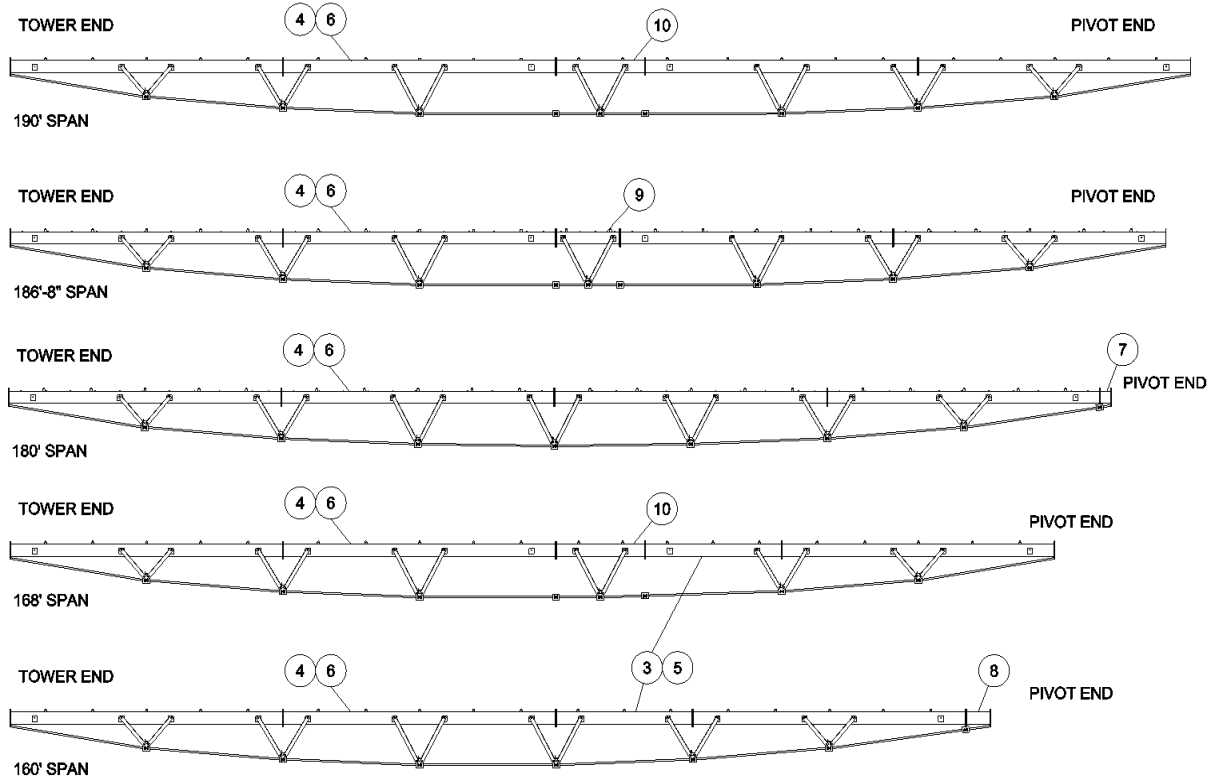
Ref.	Part No.	Description
1	6-2418-9	Nut, 1/2-13, Lock
2	6-4486-4	Gasket, 6-5/8", Pipe Flange
3	14-4524-0	Pipe, Weld,Half, 6-5/8", 90" Outlets, 12 Ga., 8500P
4	14-4525-0	Pipe, Weld,Span, 6-5/8", 90" Outlets, 12 Ga., 8500P
5	14-4526-0	Pipe, Weld,Half, 6-5/8", 30" Outlets, 12 Ga., 8500P
6	14-4527-0	Pipe, Weld,Span, 6-5/8", 30" Outlets, 12 Ga., 8500P
7	26-0760-4	Screw, 1/2-13 x 1-1/2", Hex, Gr. 5



# Pivot Spans

## Span Assembly (Pipe Identification), 8500P (cont'd.)

MAKE SURE SPANS ARE NOT TILTED WHEN TIGHTENING BOLTS. IF THERE IS A TILT TO THE SPAN, LOOSEN BOLTS, LEVEL SPAN, AND RE-TIGHTEN BOLTS.



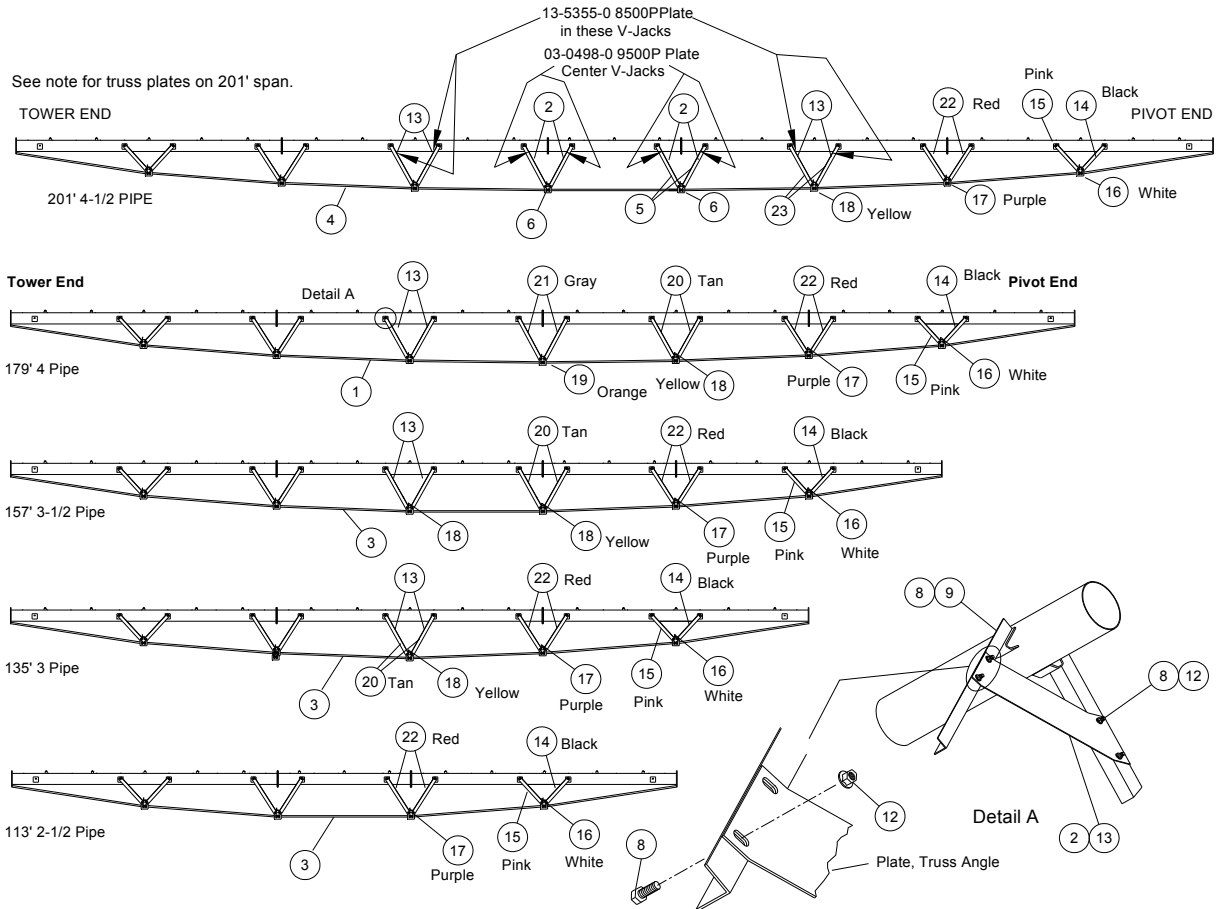
FLANGE SCREWS  
SCREW, 1/2 X 1-1/2 - 6-5/8"

Ref.	Part No.	Substitute Part No.	Description
1	06-2418-9		Nut, 1/2-13, Lock
2	06-4486-4		Gasket, 6-5/8", Pipe Flange
3	14-4524-0		Pipe, Half, 6-5/8" 90" Outlets, 12 Ga,8500P
4	14-4525-0		Pipe, Span,6-5/8" 90" Outlets, 12 Ga, 8500.
5	14-4526-0		Pipe, Half, 6-5/8" 30" Outlets, 12 Ga,8500P
6	14-4527-0		Pipe, Span, 6-5/8" 30" Outlets, 12 Ga,8500P
7	14-4771-0		Pipe, Weld, Ext, 6-5/8" x 12 Ga x 12", 8500P
8	14-4772-0		Pipe, Weld, Ext, 6-5/8" x 12 Ga x 36", 8500P
9	14-4773-0		Pipe, Weld, Ext, 6-5/8" x 12 Ga x 7'-8", 8500P
10	14-4774-0		Pipe, Weld,Ext, 6-5/8" x 12 Ga x 11'-0", 8500P
11	26-0760-4		Screw, 1/2-13 x 1-1/2", Hex, Gr. 5



# Pivot Spans

## Span Assembly (Truss Assembly), 8500P



### Flange Screws

Screw, 1/2 x 1-1/2" - 6-5/8" Pipe

Truss Plates on the 201' are two styles. The plates on the third truss are 13-5355-0 Short Truss. On the fourth truss from each end are 03-0498-0 stand 6 5/8".

# Pivot Spans



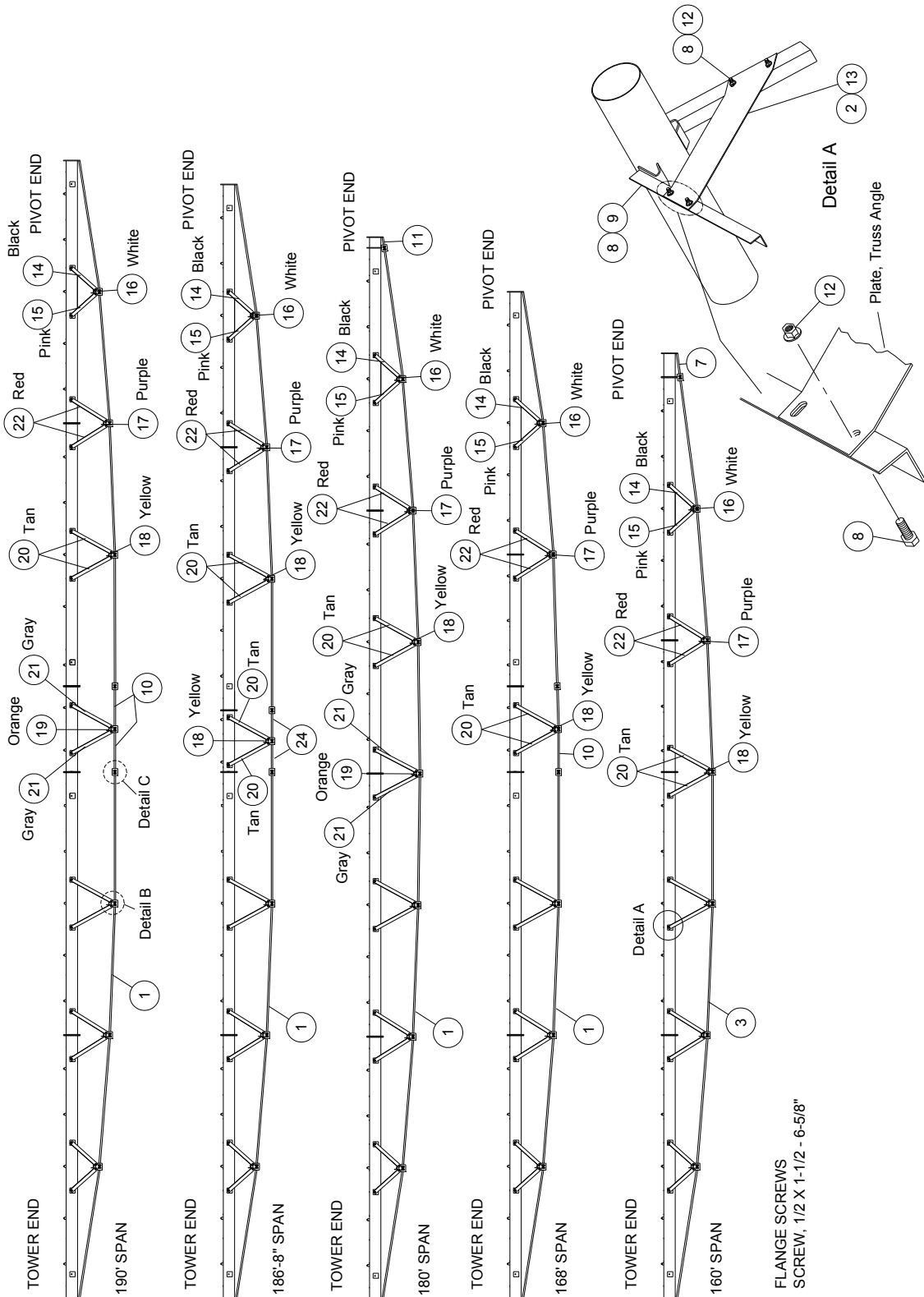
This page is left blank intentionally



# Pivot Spans

## Span Assembly (Truss Assembly), 8500P (cont'd.)

MAKE SURE SPANS ARE NOT TILTED WHEN TIGHTENING BOLTS. IF THERE IS A TILT TO THE SPAN, LOOSEN BOLTS, LEVEL SPAN, AND RE-TIGHTEN BOLTS.



FLANGE SCREWS  
SCREW, 1/2 X 1-1/2 - 6-5/8"



# Pivot Spans

## Span Assembly (Truss Assembly), 8500P (cont'd.)

Ref.	Part No.	Description	Ref.	Part No.	Description
1	03-0337-0	Rod, Truss, Headed, 11/16"	13	13-5355-0	Plate, Truss Angle, 6-5/8" Short Truss
2	03-0498-0	Plate, Truss Angle 6 5/8"	14	13-5356-0	Brace, Truss, 61-1/2", Black
3	03-6705-2	Rod, Truss, Headed, 5/8"x21-9 1/4" ID	15	13-5357-0	Brace, Truss, 60", Pink
4	03-6707-8	Rod, Truss, Headed, 3/4"	16	13-5365-0	Tie, Truss, 57-5/8", White
5	03-6711-0	Brace, Truss, 97-3/4"	17	13-5366-0	Tie, Truss, 87", Purple
6	03-6715-1	Tie, Truss, 10'-3-1/2"	18	13-5367-0	Tie, Truss, 108 3/8", Yellow
7	03-8249-9	Rod, Truss, Headed, 7/8"x33-1/2" ID	19	13-5368-0	Tie, Truss, 114-3/4", Orange
8	06-0804-2	Screw, 1/2-13 x 1-1/4", Hex, Gr. 5	20	14-4945-0	Brace, Truss, 88-1/2", Tan
9	06-2418-9	Nut, 1/2-13, Lock	21	14-4946-0	Brace, Truss, 92-1/2", Gray
10	10-8279-1	Rod, Truss, Headed, 7/8 x 63" ID	22	14-5001-0	Brace, Truss, 76-1/2", Red
11	11-0041-1	Rod Weld, Headed, 9-3/4"x7/8"	23	14-5283-0	Brace, Truss, 90", 8500P
12	11-4529-1	Nut, 1/2-13, Flange, Toplock	24	14-6339-0	Rod,Truss,Headed,7/8x43-1/4" 8500P

### Electrical Cable Lengths

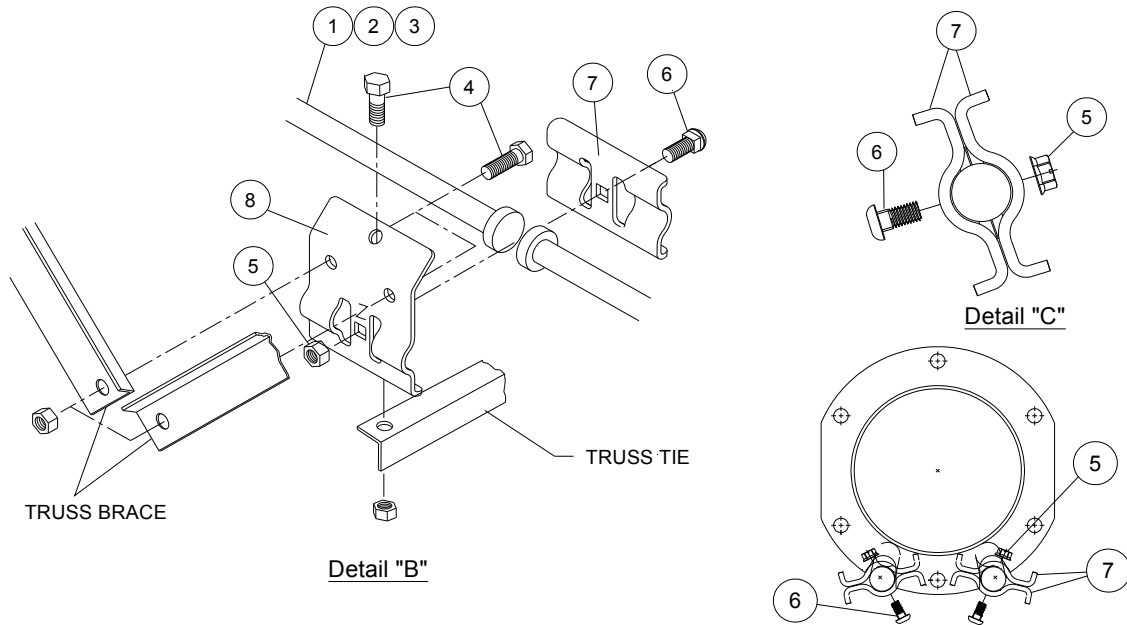
Span Lengths	Cable Lengths	14 Ga.	12 Ga.	10 Ga.	8 Ga.
201'	206.5	03-8135-0	03-6936-3	03-6926-4	11-7840-9
190'	206.5	03-8135-0	03-6936-3	03-6926-4	11-7840-9
186'8"	193	03-8137-6	03-6934-8	03-6924-9	11-7839-1
180'	184.5	03-8141-8	03-6930-6	03-6920-7	11-7838-3
179'	184.5	03-8141-8	03-6930-6	03-6920-7	11-7838-3
168'	184.5	03-8141-8	03-6930-6	03-6920-7	11-7838-3
160'	171	03-8138-4	03-6933-0	03-6923-1	11-7837-5
157'	162.5	03-8142-6	03-6929-8	03-6919-9	11-7836-7
135'	140.5	03-8143-4	03-6928-0	03-6918-1	11-7835-9
113'	118.5	03-8144-2	03-6927-2	03-6917-3	11-7834-2



# Pivot Spans

## Rod Pockets, 8500P

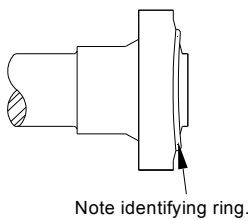
### Standard Rod Pockets



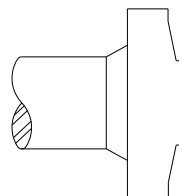
Ref.	Part No.	Substitute Part No.	Description
1	03-0337-0		Rod, Truss, Headed, 11/16"
2	03-6705-2		Rod, Truss, Headed, 5/8"x21-9 1/4" ID
3	03-6707-8		Rod, Truss, Headed, 3/4"x 21'-9-1/4"
4	06-0804-2		Screw, 1/2-13 x 1-1/4", Hex, Gr. 5
5	06-2418-9		Nut, 1/2-13, Lock
6	13-8996-0		Screw, 1/2-13 x 1 1/8, carriage, Gr. 5
7	14-3806-0		Anchor, Rod, 8500P Pocket, Small
8	14-3807-0		Anchor, Rod, 8500P Pocket, Large

### Truss Rod, Head Profile

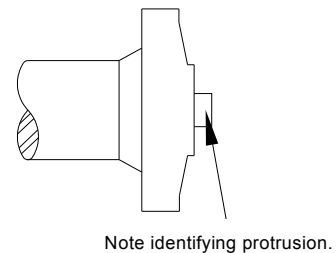
Head Profile of 3-6705-2  
5/8" Rod Grade 60



Head Profile of 3-0337-0  
11/16" Grade 60



Head Profile of 3-6707-8  
3/4" Grade 60 Truss Rod



# Pivot Spans

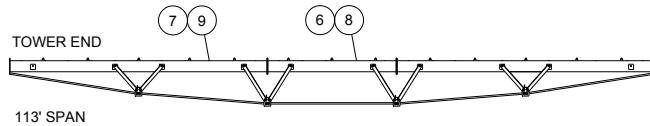
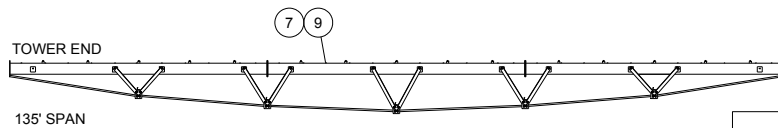
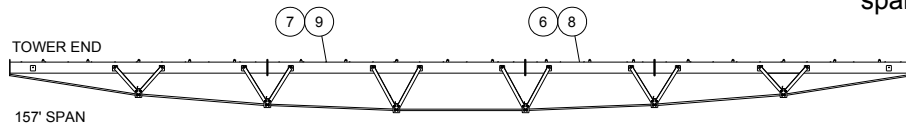
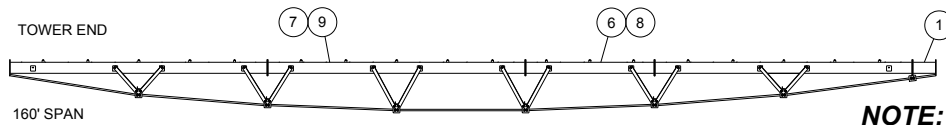
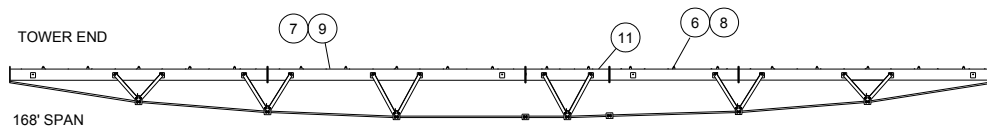
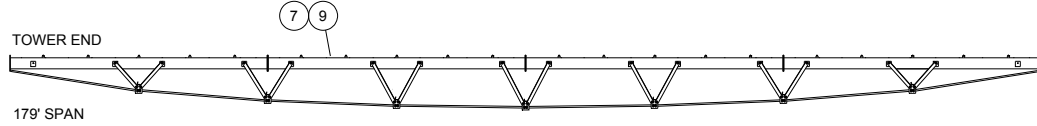
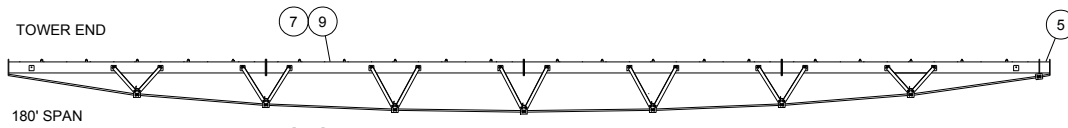
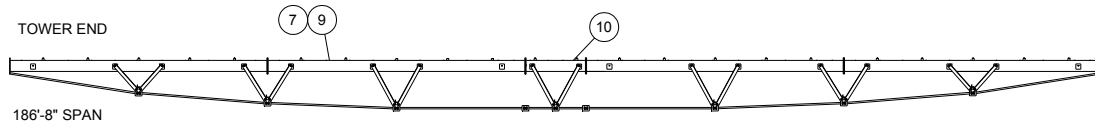
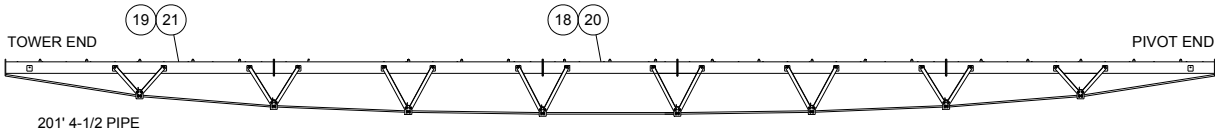


This page is left blank intentionally

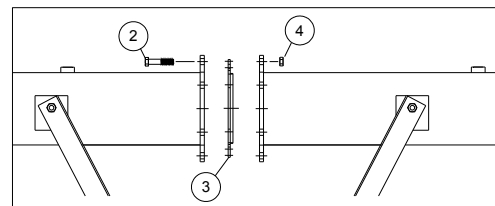


# Pivot Spans

## Spans, 5-9/16" Pipe



**NOTE:** See page C-25 for span extension truss rods.



**NOTE:** Item 10 requires 4 of 03-6711-0 and 1 of 03-6715-1 (see page C-24).



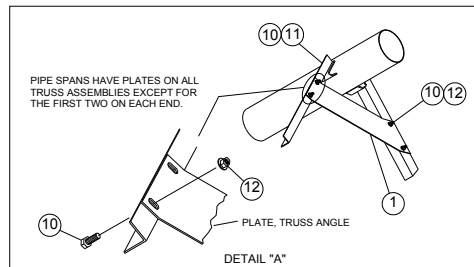
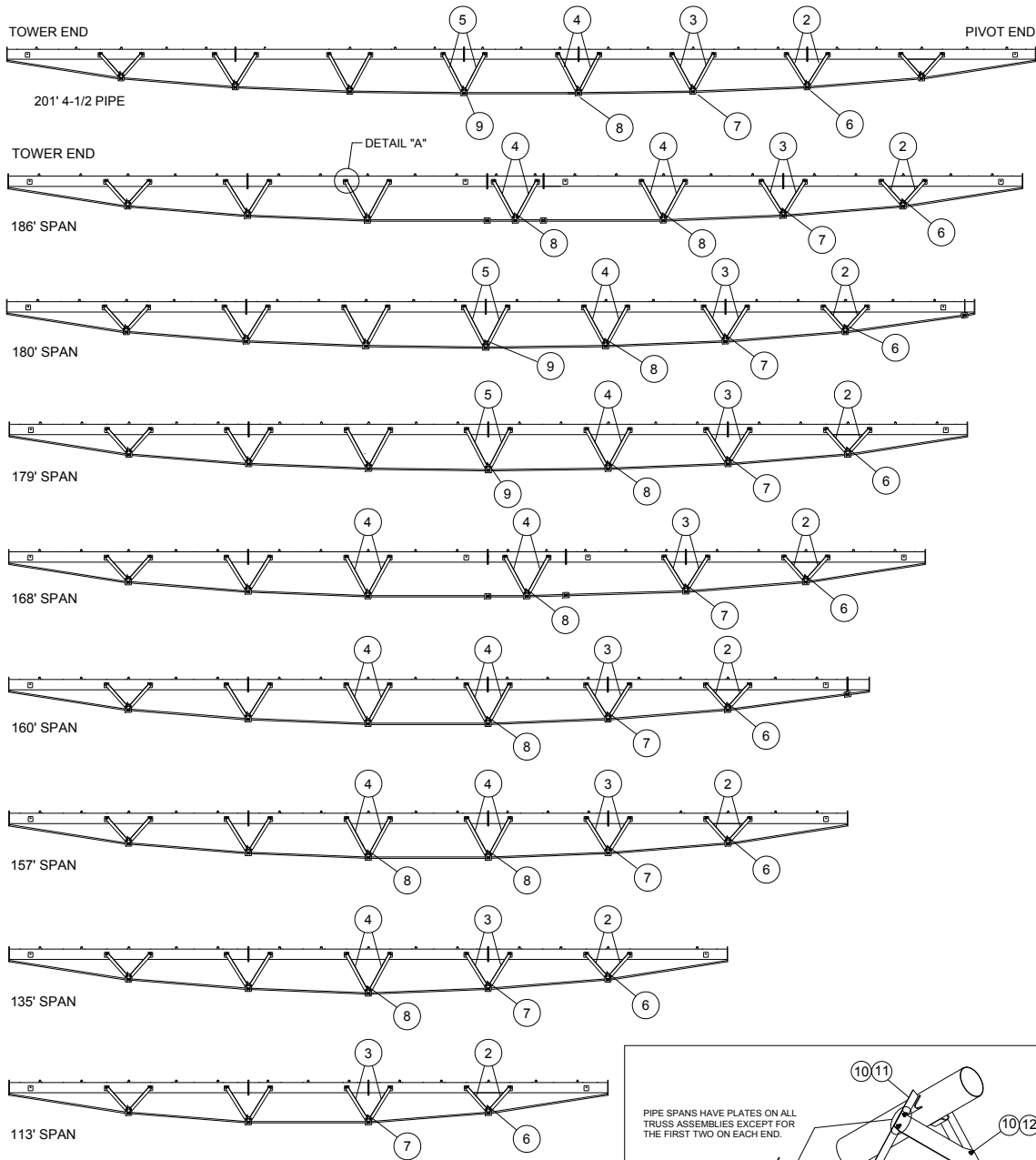
# Pivot Spans

Ref.	Original Part No.	Substitute Part No.	Description
1	03-8245-7		Pipe, 5-9/16" x 3' Extension
2	06-0803-4		Screw, 3/8-16 x 1-1/2", Hex, Gr. 5
3	06-3285-1		Gasket, Flange, 5-9/16"
4	06-3419-6		Nut, 3/8-16, Flange, Toplock
5	11-0039-5		Pipe, 5-9/16" x 1' Extension
6	11-3650-6		Pipe, Half, 5-9/16", 90" Outlets
7	11-3651-4		Pipe, Span, 5-9/16", 90" Outlets
8	11-3652-2		Pipe, Half, 5-9/16", 30" Outlets
9	11-3653-0		Pipe, Span, 5-9/16", 30" Outlets
10	11-4776-8		Pipe, 5-9/16" x 7' 8" Extension
11	11-8243-5		Pipe, 5-9/16" x 11' Extension
12	03-0679-5		Flange, Pipe, 5-9/16", w/Slot
13	03-1155-5		Kit, Hardware, 5-9/16", 201' Span
14	03-1154-8		Kit, Hardware, 5-9/16", 179' Span
15	03-1153-0		Kit, Hardware, 5-9/16", 157' Span
16	03-1152-2		Kit, Hardware, 5-9/16", 135' Span
17	10-0622-0		Kit, Hardware, 5-9/16", Span Ext.
18	12-3005-0		Pipe, Weld, Half, 5-9/16", 90"
19	12-3006-0		Pipe, Weld, Span, 5-9/16", 90"
20	14-4856-0		Pipe, Weld, Half, 5-9/16", 30"
21	14-4857-0		Pipe, Weld, Span, 5-9/16", 30"



# Pivot Spans

## Truss Assembly, 5-9/16" Pipe





## Pivot Spans

### Truss Assembly, 5-9/16" Pipe (continued)

Ref.	Original Part No.	Substitute Part No.	Description
1	03-0499-8		Plate, Truss Angle, 5-9/16"
2	03-6709-4		Brace, Truss, 63-1/2"
3	03-6710-2		Brace, Truss, 81-1/4"
4	03-6711-0		Brace, Truss, 97-3/4"
5	03-6712-8		Brace, Truss, 101-3/4"
6	03-6713-6		Tie, Truss, 62-1/2"
7	03-6714-4		Tie, Truss, 95-1/2"
8	03-6715-1		Tie, Truss, 123-1/2"
9	03-6716-9		Tie, Truss, 129-1/2"
10	06-0804-2		Screw, 1/2-13 x 1-1/4", Hex, Gr. 5
11	06-2418-9		Nut, 1/2-13, Lock
12	11-4529-1		Nut, 1/2-13, Flange, Toplock
13	03-6719-3		Bracket, Truss Mount



# Pivot Spans

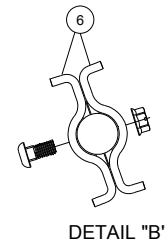
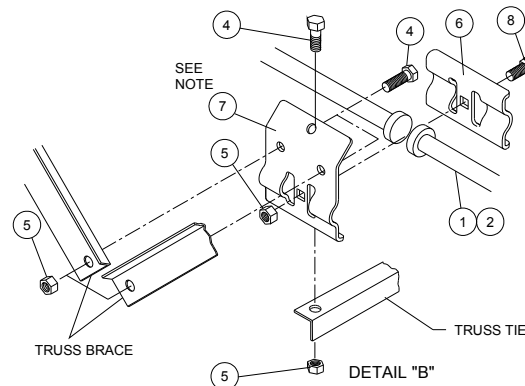
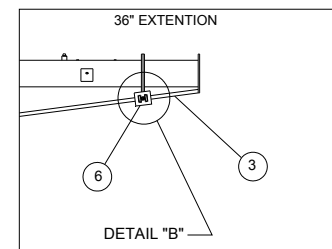
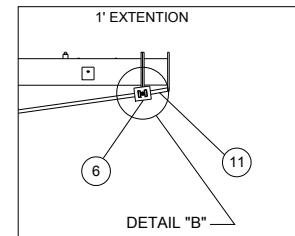
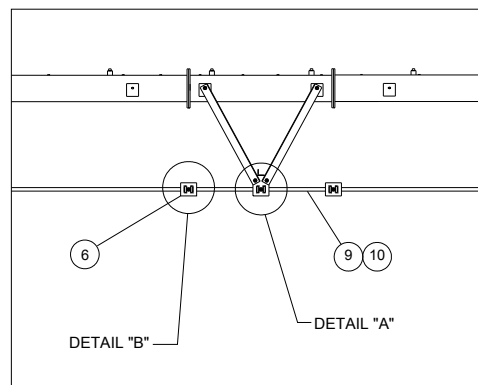
## Rod Pockets

### Rod Diameter

Length	Pipe Diameter				
	5 9/16	6 5/8	8	8-5/8	10
113'	11/16	11/16	11/16	11/16	11/16
135'	11/16	11/16	11/16	11/16	3/4
157'	11/16	11/16	11/16	3/4	
160'	11/16	11/16	3/4	3/4	
168'	11/16	11/16	3/4	3/4	
179'	11/16	11/16	3/4	3/4	
180'	11/16	11/16	3/4	3/4	
186'8"	11/16	11/16	3/4		
201'		3/4			

### Truss Rods used for Extensions

Length	Pipe Diameter				
	5 9/16	6 5/8	8	8-5/8	10
1' Extension	11-0041-1	11-0041-1	11-0041-1	11-0041-1	
3' Extension	03-8249-9	03-8249-9	03-8249-9	03-8249-9	03-8249-9
7-8" Extension	10-8277-5	10-8277-5	10-8277-5		
11' Extension	10-8279-1	10-8279-1	10-8279-1	10-8279-1	



Ref.	Original Part No.	Substitute Part No.	Description
1	03-0337-0		Rod, Truss, Headed, 11/16"
2	03-6707-8		Rod, Truss, Headed, 3/4", Gr. 60
3	03-8249-9		Rod, Truss, Headed, 7/8" x 33-1/2"
4	06-0804-2		Screw, 1/2-13 x 1-1/4", Hex, Gr. 5
5	06-2418-9		Nut, 1/2-13, Lock
6	13-9996-0		Anchor, Rod, Gen II, Small
7	13-9995-0		Anchor, Rod, Gen II, Large
8	13-8996-0		Screw, 1/2-13 x 1-1/8", Car, Zinc
9	10-8277-5		Rod, Truss, Headed, 7/8" x 42-3/4"
10	10-8279-1		Rod, Truss, Headed, 7/8" x 63"

Ref.	Original Part No.	Substitute Part No.	Description
11	11-0041-1		Rod, Truss, Headed, 9-3/4" x 7/8"
12	11-6927-5	0303370	Rod, Truss, 11/16", Hot Dipped (International)
13	11-6928-3	0367078	Rod, Truss, 3/4", Gr. 60, Hot Dipped (International)
14	13-9748-0		Kit, Anchor Rod, 2 Pc, 201' Span
15	13-9255-0		Kit, Anchor Rod, 2 Pc, 179' Span
16	13-9254-0		Kit, Anchor Rod, 2 Pc, 157' Span
17	13-9253-0		Kit, Anchor Rod, 2 Pc, 135' Span
18	10-9336-8		Kit, Anchor Rod, 2 Pc, 113' Span



# Pivot Spans

## Angle Bundles

Ref.	Original Part No.	Substitute Part No.	Description
1	03-6731-8		Bundle, Truss, 113' Span
2	03-6732-6		Bundle, Truss, 135' Span
3	03-6733-4		Bundle, Truss, 157' Span
4	03-6734-2		Bundle, Truss, 179' Span
5	03-6735-9		Bundle, Truss, 201' Span

Ref.	Original Part No.	Substitute Part No.	Description
6	14-5005-0		Bundle, Truss, 8500P, 113' Span
7	14-4950-0		Bundle, Truss, 8500P, 135' Span
8	14-4951-0		Bundle, Truss, 8500P, 157' Span
9	14-4952-0		Bundle, Truss, 8500P, 179' Span
10	14-6340-0		Bundle, Truss, 8500P, 186'8" Sp.
11	14-5284-0		Bundle, Truss, 8500P, 201' Span

## Electrical Cable, Span

### Electrical Cable Lengths

Span Lengths	Cable Lengths
201'	206.5
179'	184.5
157'	162.5
135'	140.5
113'	118.5

### International Electrical Cable Lengths

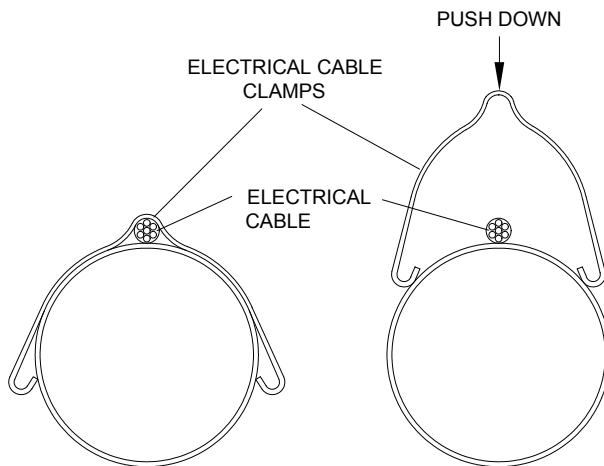
(Non-Shielded Cable)

Part Number	Span Lengths	Cable Lengths
3-8164-0	201'	206.5
3-8170-7	179'	184.5
3-8171-5	157'	162.5
3-8172-3	135'	140.5
3-8173-1	113'	118.5

Ref.	Original Part No.	Substitute Part No.	Description
1	03-6917-3		Cable, Elec., 4#10, 6#14, 118.5'
2	03-6918-1		Cable, Elec., 4#10, 6#14, 140.5'
3	03-6919-9		Cable, Elec., 4#10, 6#14, 162.5'
4	03-6920-7		Cable, Elec., 4#10, 6#14, 184.5'
5	03-6926-4		Cable, Elec., 4#10, 6#14, 206.5'
6	03-6927-2		Cable, Elec., 4#12, 6#14, 118.5'
7	03-6928-0		Cable, Elec., 4#12, 6#14, 140.5'
8	03-6929-8		Cable, Elec., 4#12, 6#14, 162.5'

Ref.	Original Part No.	Substitute Part No.	Description
9	03-6930-6		Cable, Elec., 4#12, 6#14, 184.5'
10	03-6936-3		Cable, Elec., 4#12, 6#14, 206.5'
11	03-8135-0		Cable, Elec., 4#14, 6#18, 206.5'
12	03-8141-8		Cable, Elec., 4#14, 6#18, 184.5'
13	03-8142-6		Cable, Elec., 4#14, 6#18, 162.5'
14	03-8143-4		Cable, Elec., 4#14, 6#18, 140.5'
15	03-8144-2		Cable, Elec., 4#14, 6#18, 118.5'

## Electrical Cable Clips on Pipeline



Ref.	Original Part No.	Substitute Part No.	Description
1	10-1485-1		Clip, Conduit, Spring Wire, 6-5/8"



# Pivot Spans

## Re-Inforcing Truss Angle Plates

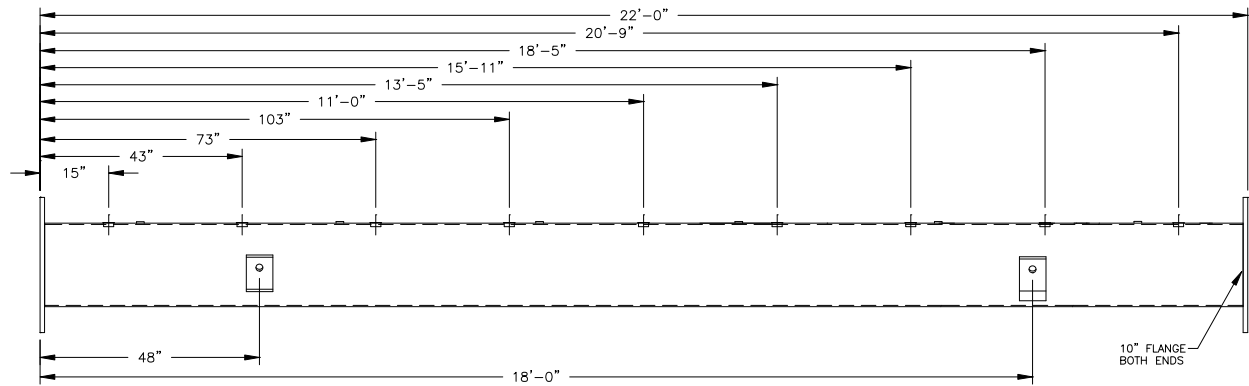
Used on the first two V-Jack Angles. Hardware is found in hardware kit 1611192.

Ref.	Original Part No.	Substitute Part No.	Description
1	0608042		Screw, 1/2-13 x 1-1/4", Hex
2	1145291		Nut, 1/2-13, Flange, Top Lock
3	1610520		Truss Plate, V1
4	1610519		Truss Plate, V2



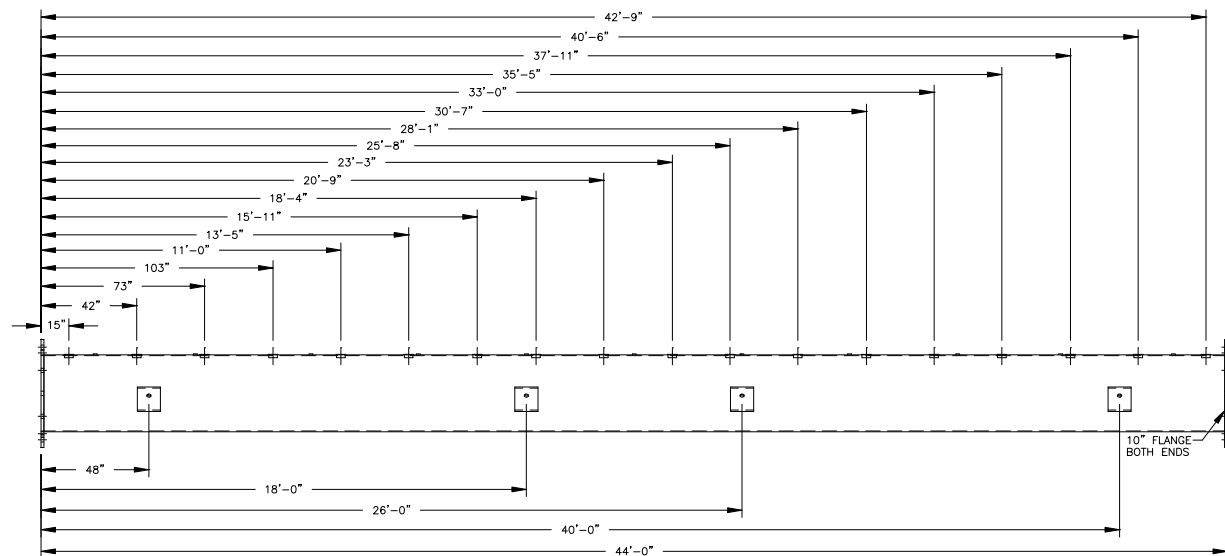
# Pivot Spans

## Pipe, Half, 10", 30" Outlets, 03-0953-4



Ref.	Original Part No.	Substitute Part No.	Description
1	03-0953-4		Pipe, Half, 10", 30" Outlets

## Pipe, Span, 10", 30" Outlets, 03-0949-2

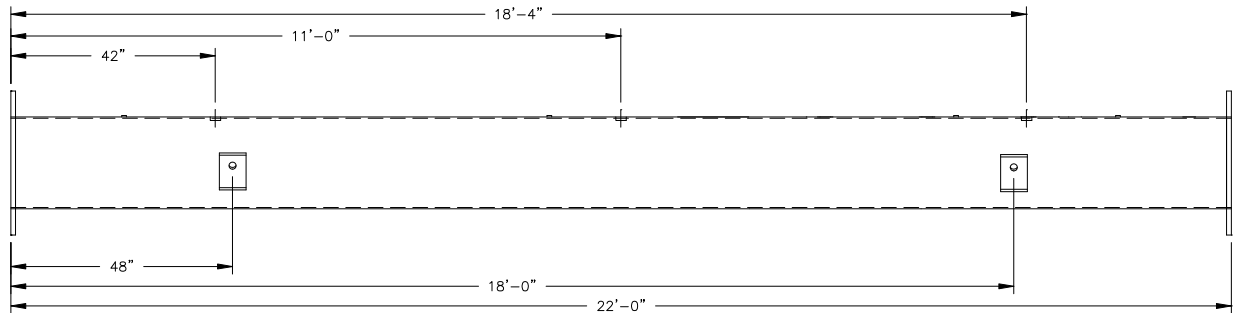


Ref.	Original Part No.	Substitute Part No.	Description
1	03-0949-2		Pipe, Span, 10", 30" Outlets



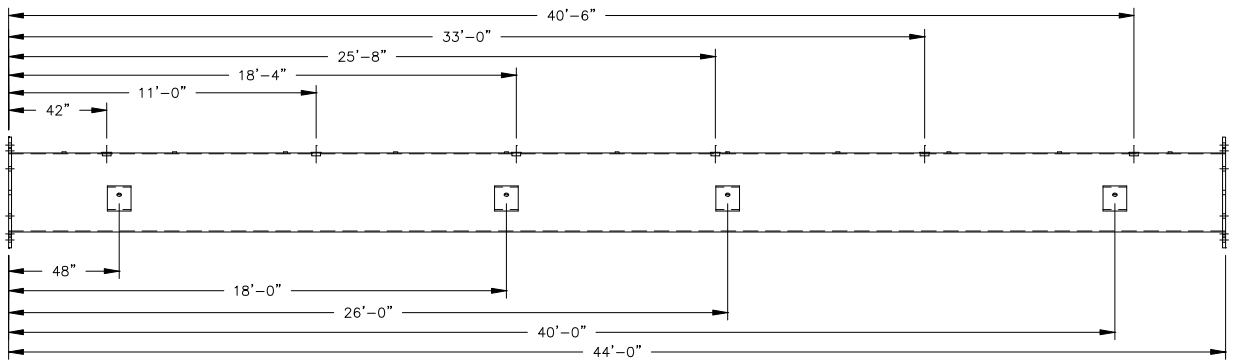
# Pivot Spans

## Pipe, Half, 10", 90" Outlets, 11-3656-3



Ref.	Original Part No.	Substitute Part No.	Description
1	11-3656-3		Pipe, Half, 10", 90" Outlets

## Pipe, Span, 10", 90" Outlets, 11-3657-1

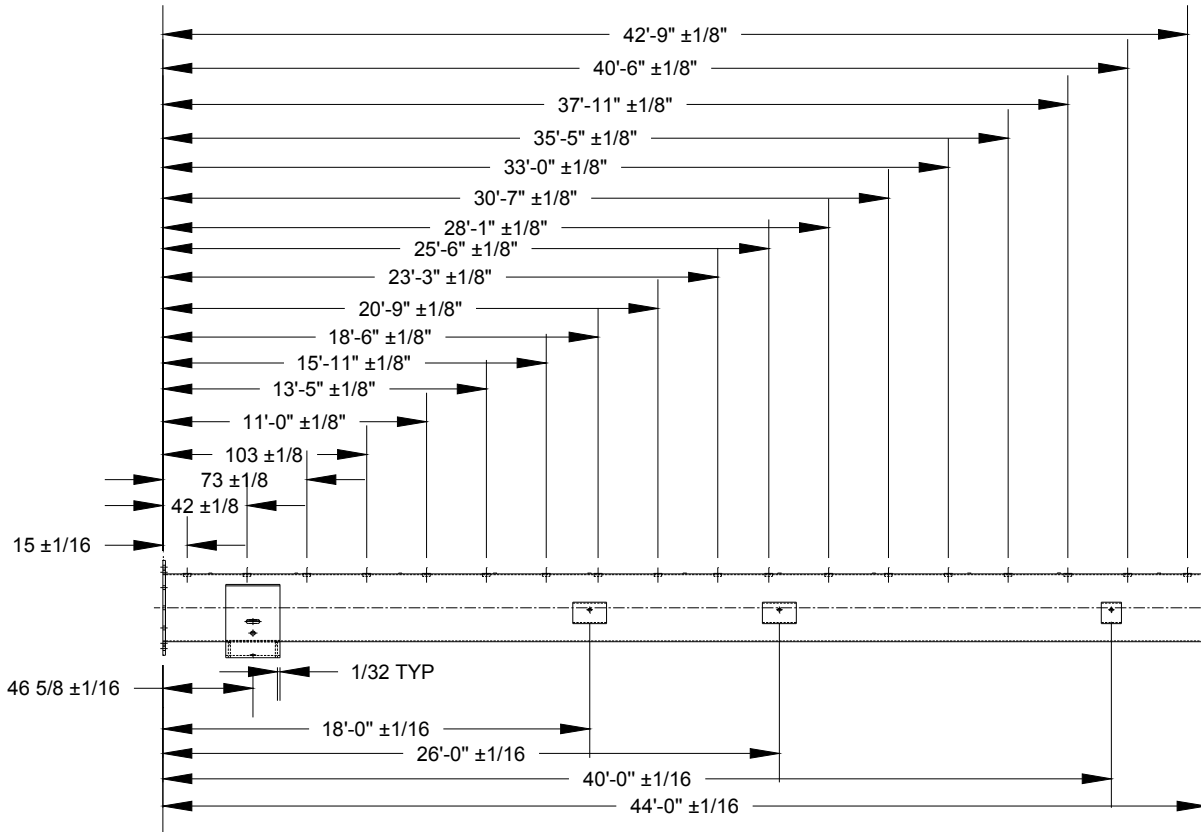


Ref.	Original Part No.	Substitute Part No.	Description
1	11-3657-1		Pipe, Span, 10", 90" Outlets



# Pivot Spans

## Pipe, Tower End, 10", 30" Outlets, 11-7852-4

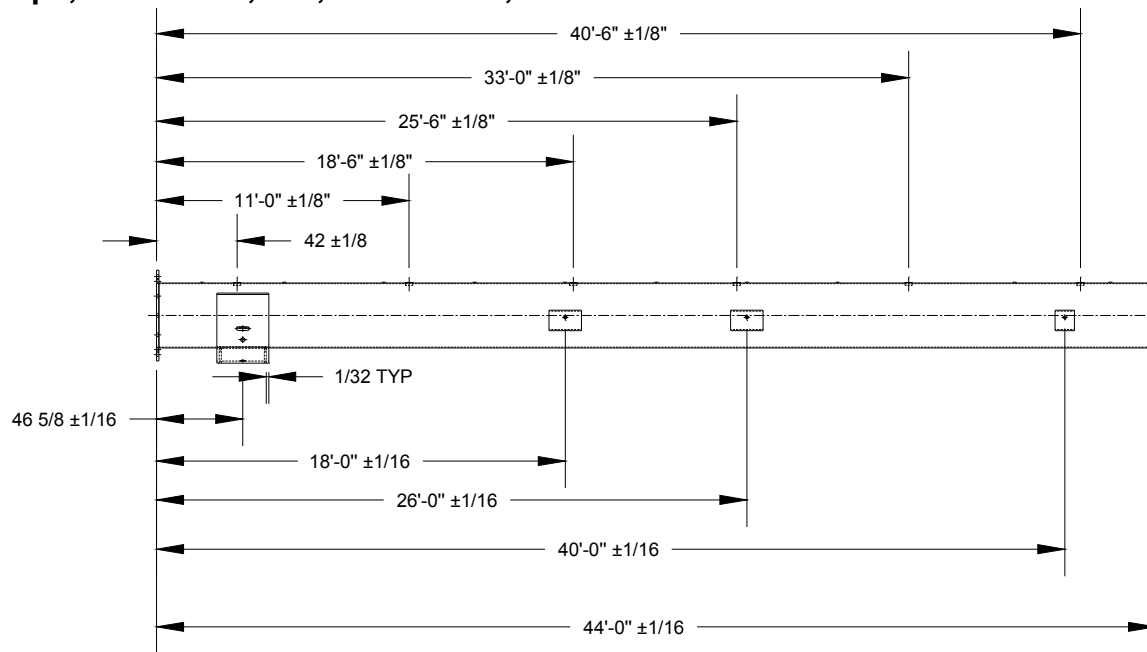


Ref.	Original Part No.	Substitute Part No.	Description
1	11-7852-4		Pipe, Tower End, 10", 30" Outlets



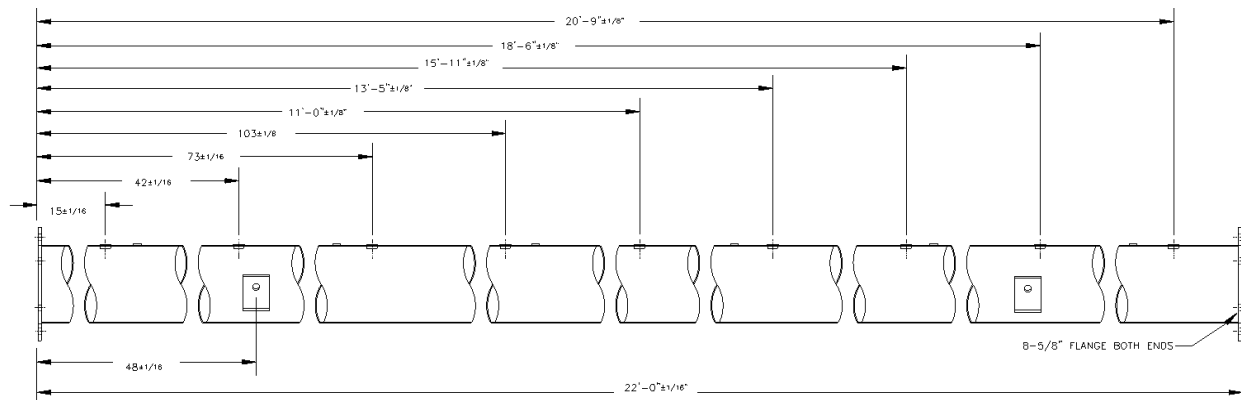
# Pivot Spans

## Pipe, Tower End, 10", 90" Outlets, 12-3322-0



Ref.	Original Part No.	Substitute Part No.	Description
1	12-3322-0		Pipe, Tower End, 10", 90" Outlets

## Pipe, Half, 8-5/8", 30" Outlets, 14-3717-0

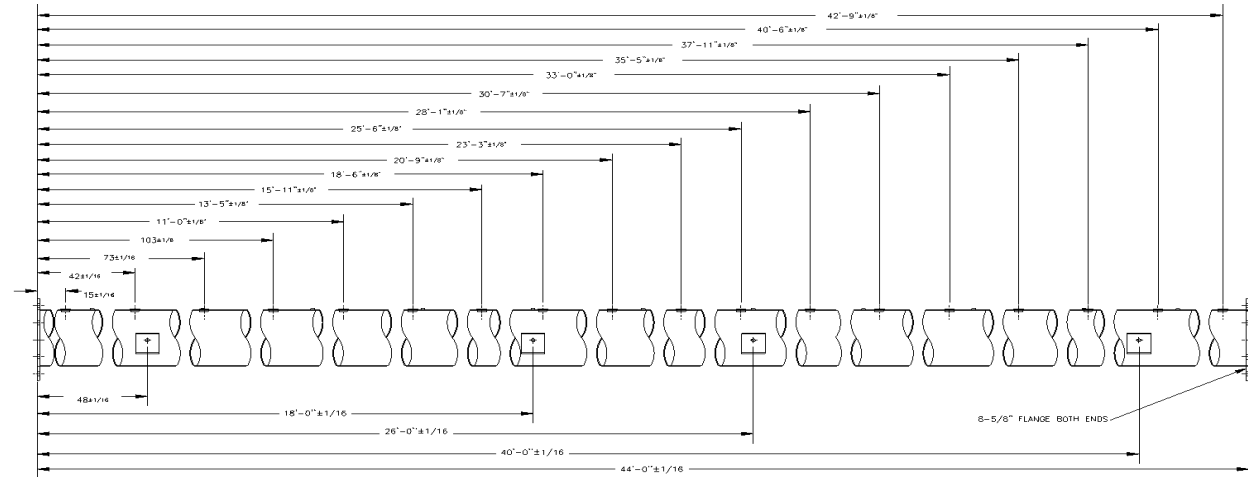


Ref.	Original Part No.	Substitute Part No.	Description
1	14-3717-0		Pipe, Half, 8-5/8", 30" Outlets



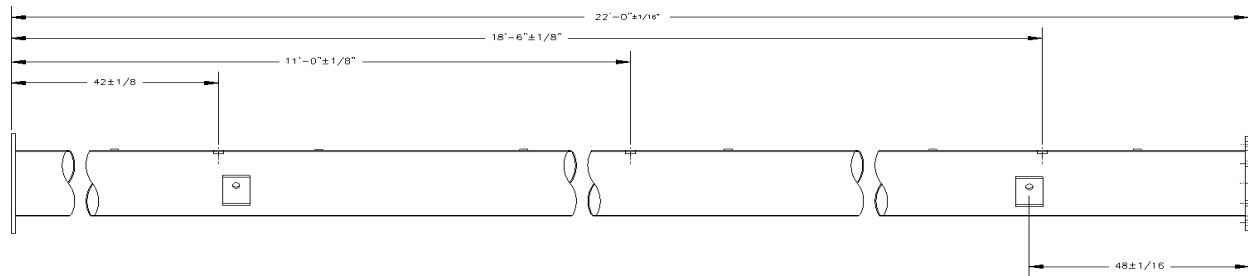
# Pivot Spans

## Pipe, Span, 8-5/8", 30" Outlets, 14-3716-0



Ref.	Original Part No.	Substitute Part No.	Description
1	14-3716-0		Pipe, Span, 8-5/8", 30"

## Pipe, Half, 8-5/8", 90" Outlets, 14-3713-0

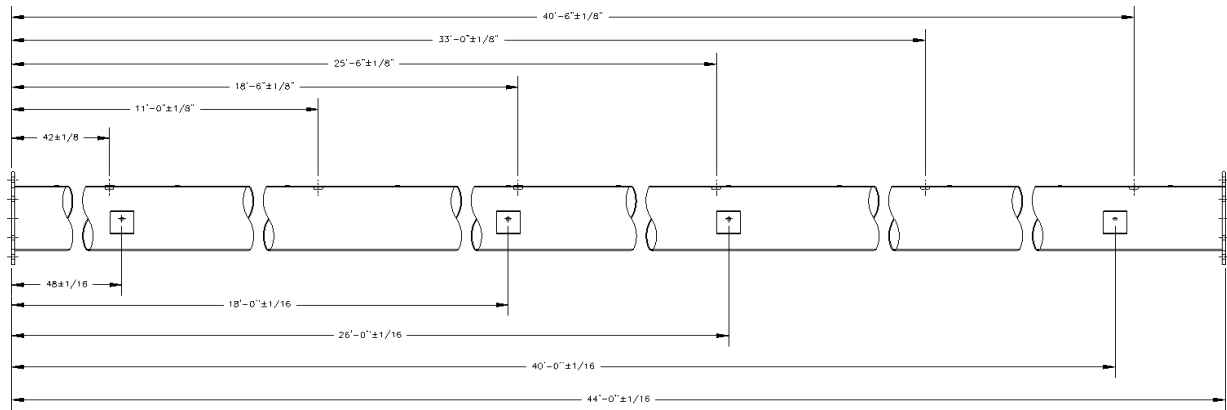


Ref.	Original Part No.	Substitute Part No.	Description
1	14-3713-0		Pipe, Half, 8-5/8", 90" Outlets



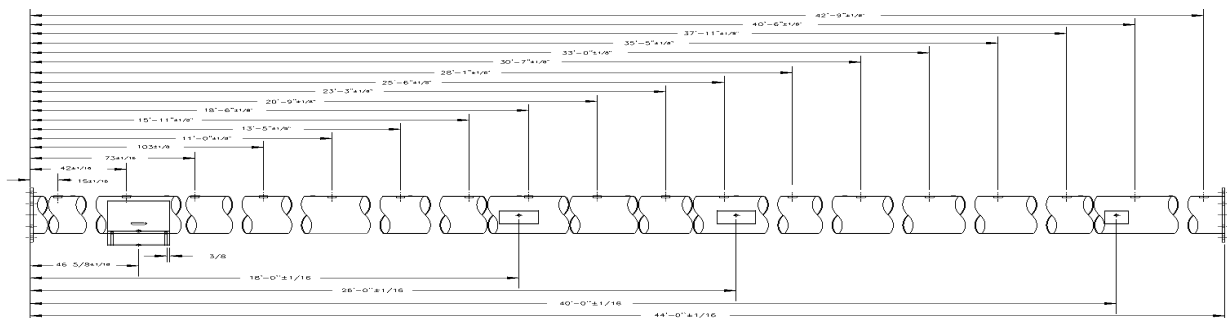
# Pivot Spans

## Pipe, Span, 8-5/8", 90" Outlets, 14-3712-0



Ref.	Original Part No.	Substitute Part No.	Description
1	14-3712-0		Pipe, Span, 8-5/8", 90"

## Pipe, Tower End, 8-5/8", 30" Outlets, 14-3718-0

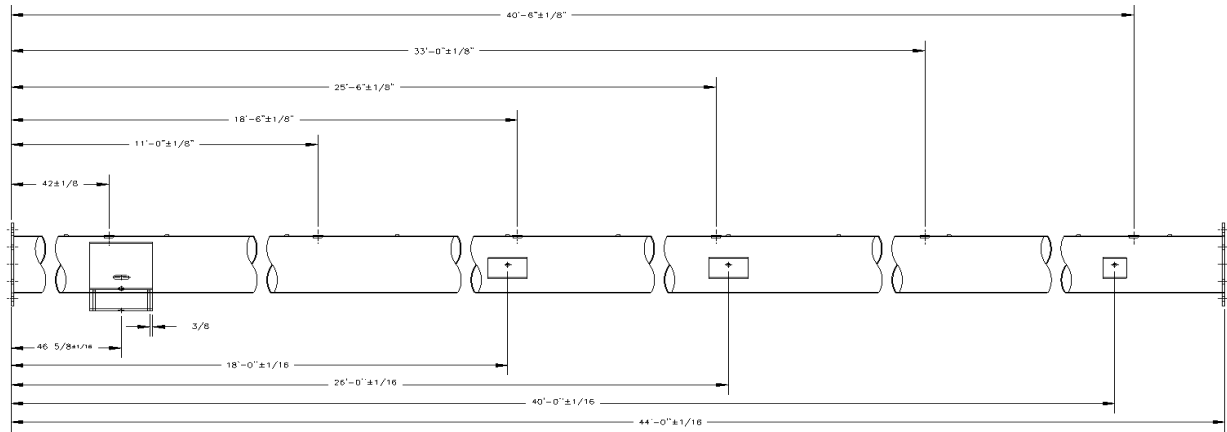


Ref.	Original Part No.	Substitute Part No.	Description
1	14-3718-0		Pipe, Tower End, 8-5/8", 30" Outlets



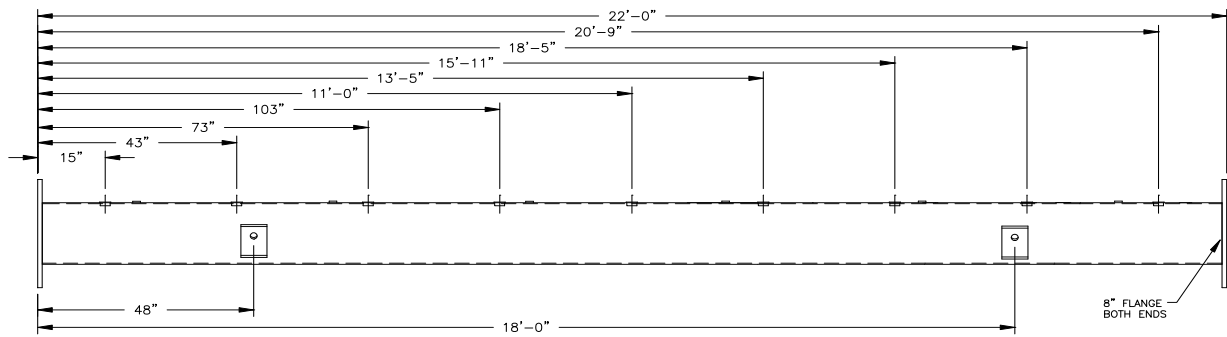
# Pivot Spans

## Pipe, Tower End, 8-5/8", 90" Outlets, 14-3714-0



Ref.	Original Part No.	Substitute Part No.	Description
1	14-3714-0		Pipe, Tower End, 8-5/8", 90" Outlets

## Pipe, Half, 8", 30" Outlets, 03-0913-8

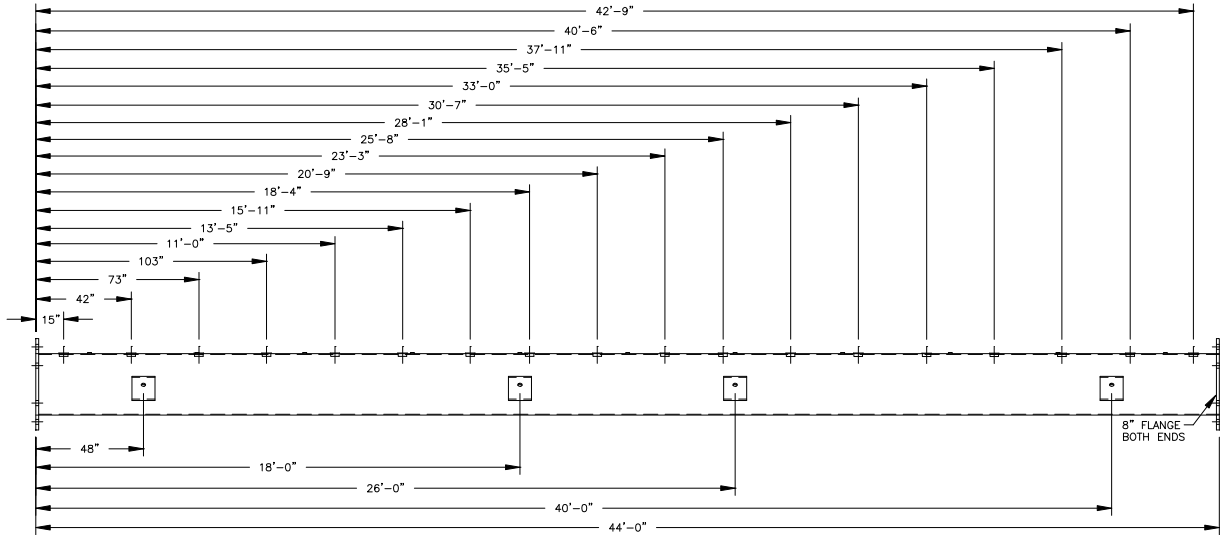


Ref.	Original Part No.	Substitute Part No.	Description
1	03-0913-8		Pipe, Half, 8", 30" Outlets



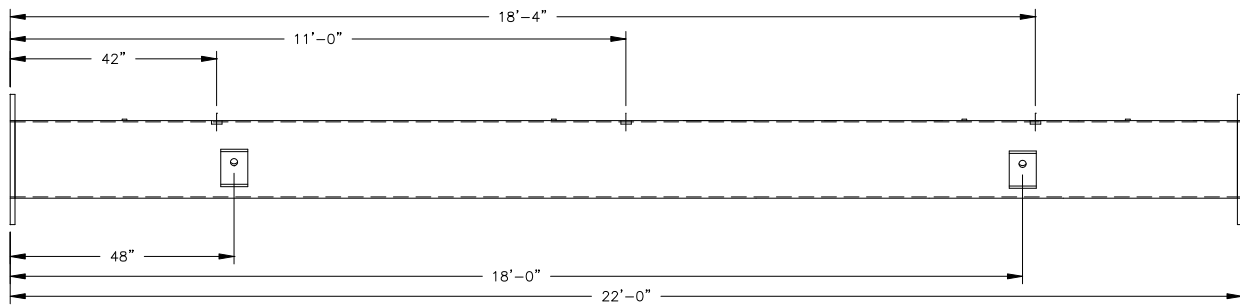
# Pivot Spans

## Pipe, Span, 8", 30" Outlets, 03-0917-9



Ref.	Original Part No.	Substitute Part No.	Description
1	03-0917-9		Pipe, Span, 8", 30"

## Pipe, Half, 8", 90" Outlets, 11-3654-8

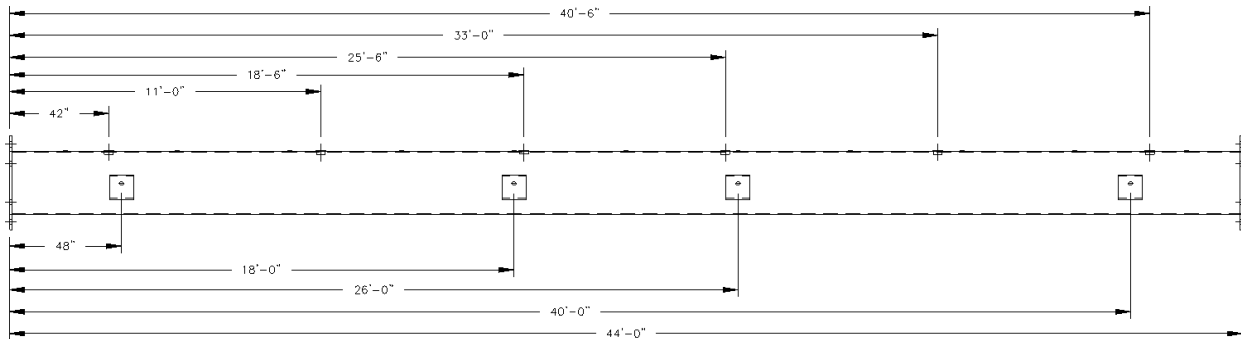


Ref.	Original Part No.	Substitute Part No.	Description
1	11-3654-8		Pipe, Half, 8", 90" Outlets



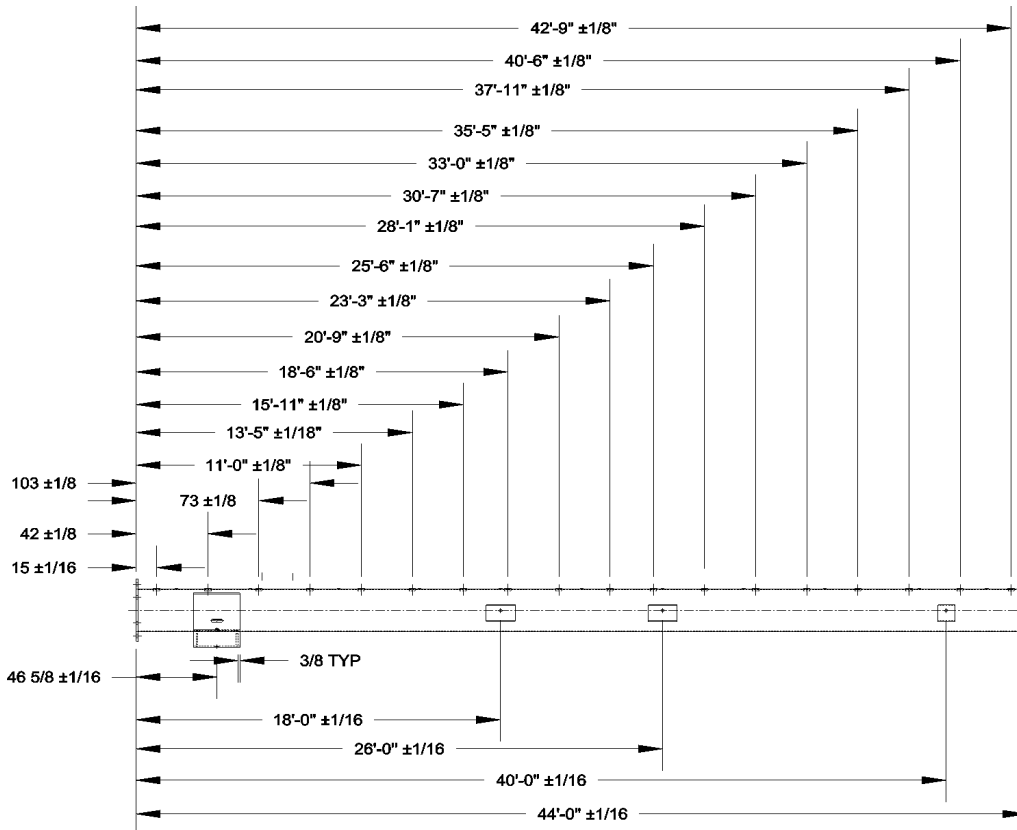
# Pivot Spans

## Pipe, Span, 8", 90" Outlets, 11-3655-5



Ref.	Original Part No.	Substitute Part No.	Description
1	11-3655-5		Pipe, Span, 8", 90" Outlets

## Pipe, Tower End, 8", 30", 11-7853-2

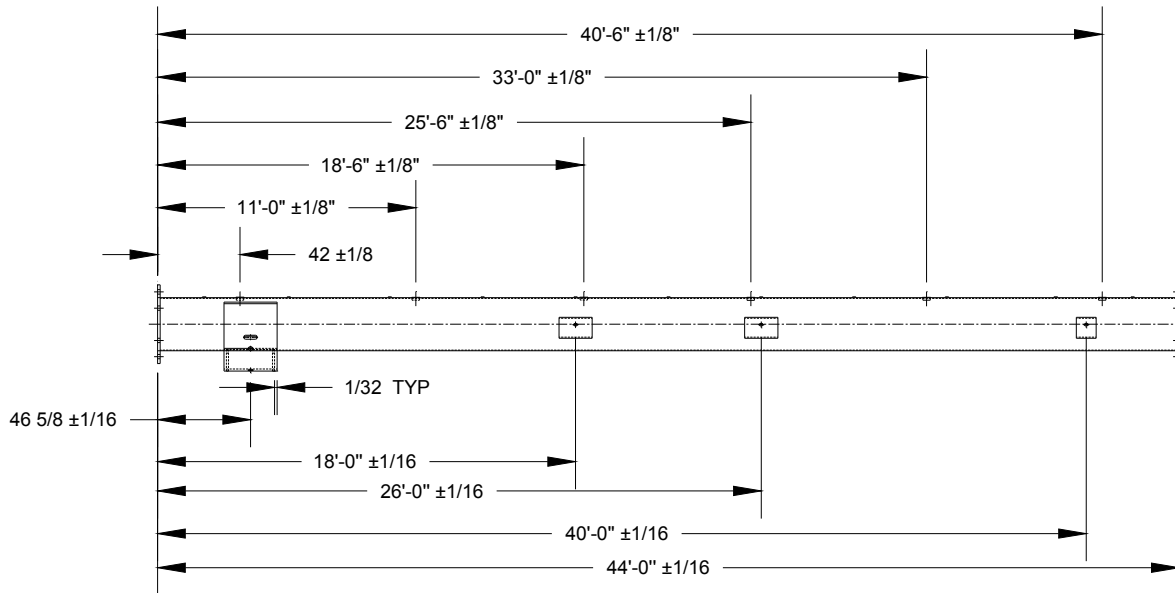


Ref.	Original Part No.	Substitute Part No.	Description
1	11-7853-2		Pipe, Tower End, 8", 30" Outlets



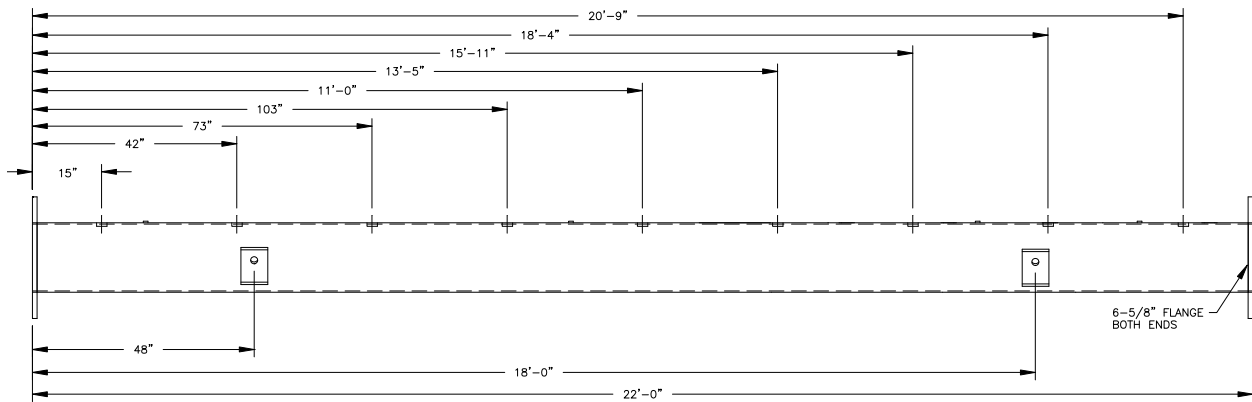
# Pivot Spans

## Pipe, Tower End, 8", 90", 12-33210



Ref.	Original Part No.	Substitute Part No.	Description
1	12-3321-0		Pipe, Tower End, 8", 90" Outlets

## Pipe, Half, 6-5/8", 30" Outlets, 11-3355-2

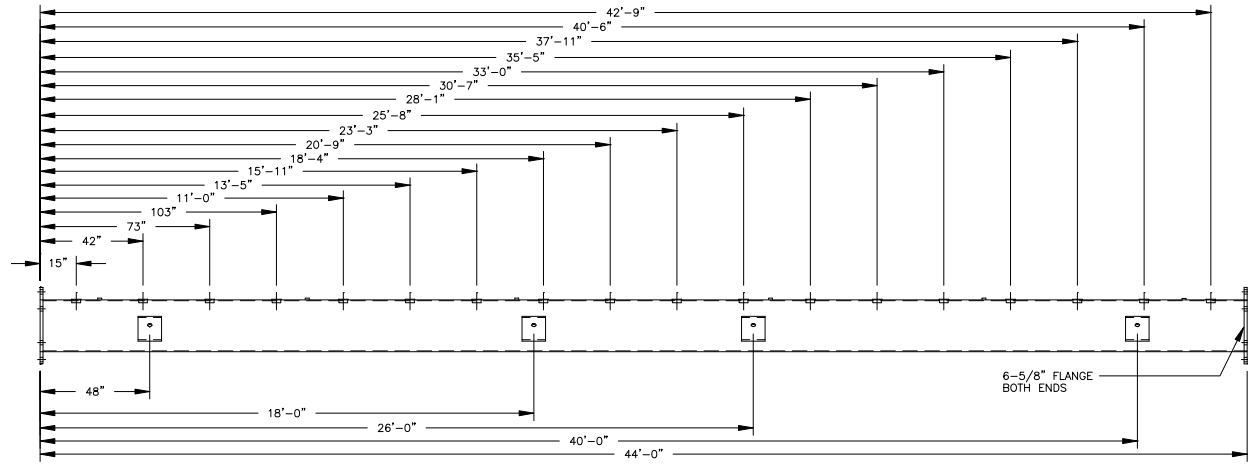


Ref.	Original Part No.	Substitute Part No.	Description
1	11-3355-2		Pipe, Half, 6-5/8", 30" Outlets



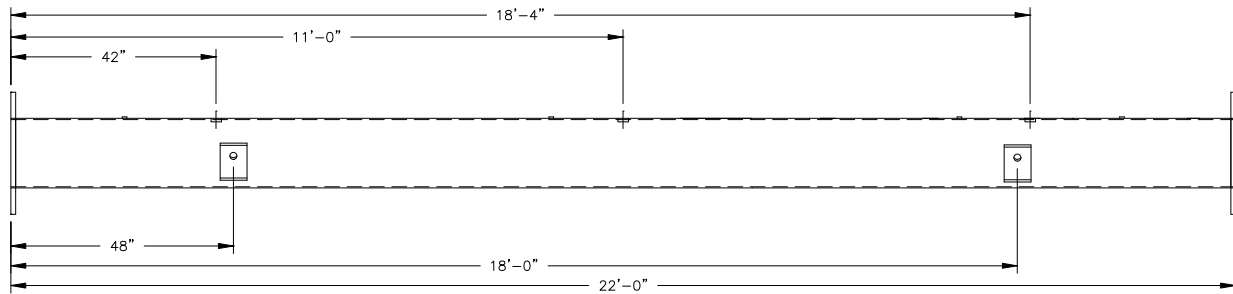
# Pivot Spans

## Pipe, Span, 6-5/8", 30" Outlets, 11-3356-0



Ref.	Original Part No.	Substitute Part No.	Description
1	11-3356-0		Pipe, Span, 6-5/8", 30" Outlets

## Pipe, Half, 6-5/8", 90" Outlets, 11-3648-0

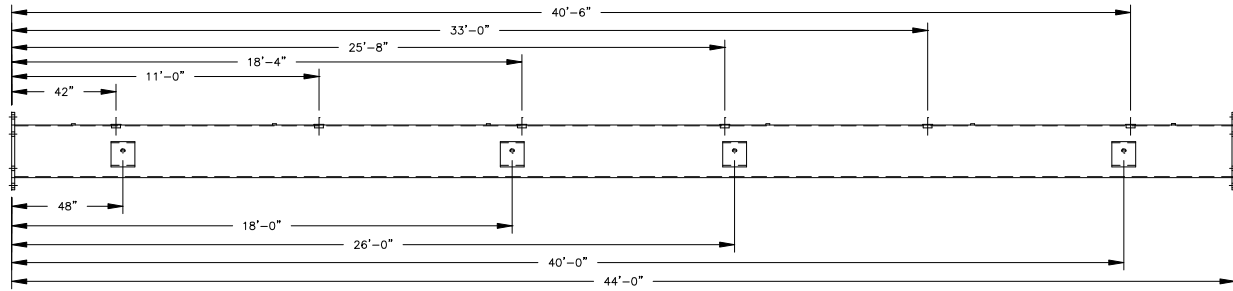


Ref.	Original Part No.	Substitute Part No.	Description
1	11-3648-0		Pipe, Half, 6-5/8", 90" Outlets



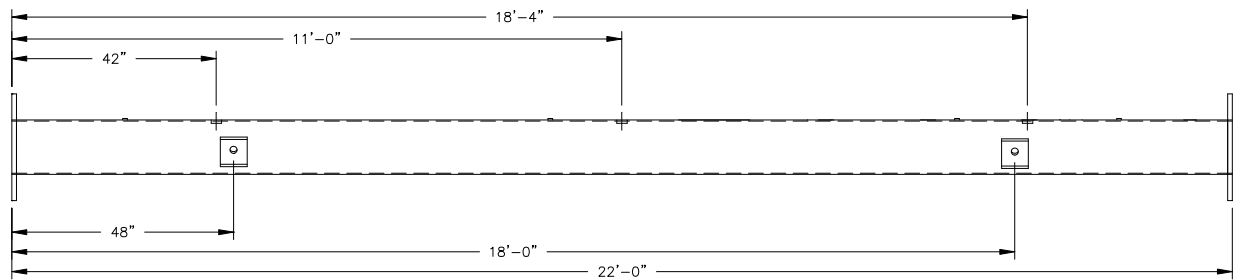
# Pivot Spans

## Pipe, Span, 6-5/8", 90" Outlets, 11-3649-8



Ref.	Original Part No.	Substitute Part No.	Description
1	11-3649-8		Pipe, Span, 6-5/8", 90" Outlets

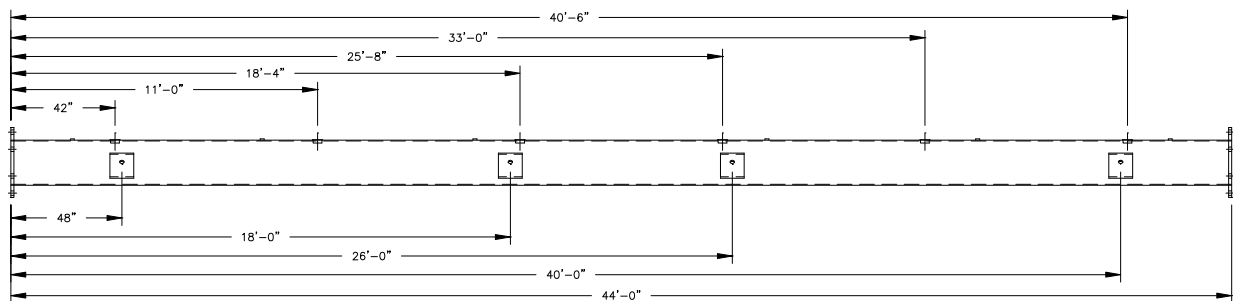
## Pipe, Half, 5-9/16", 90" Outlets, 11-3650-6, 12-3005-0



Ref.	Original Part No.	Substitute Part No.	Description
1	11-3650-6		Pipe, Half, 5-9/16", 90" Outlets

Ref.	Original Part No.	Substitute Part No.	Description
2	12-3005-0		Pipe, Half, 5-9/16", 90"

## Pipe, Span, 5-9/16", 90" Outlets, 11-3651-4, 12-3006-0

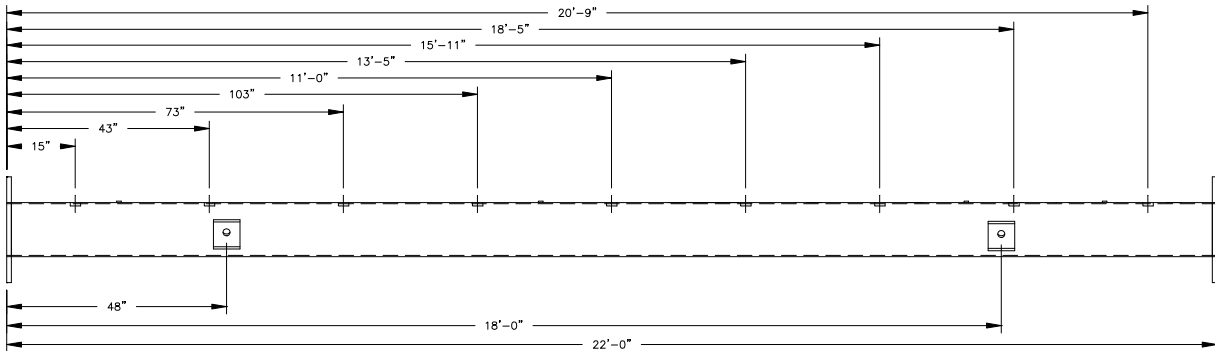


Ref.	Original Part No.	Substitute Part No.	Description
1	11-3651-4		Pipe, Span, 5-9/16", 90" Outlets
2	12-3006-0		Pipe, Span, 5-9/16", 90"



# Pivot Spans

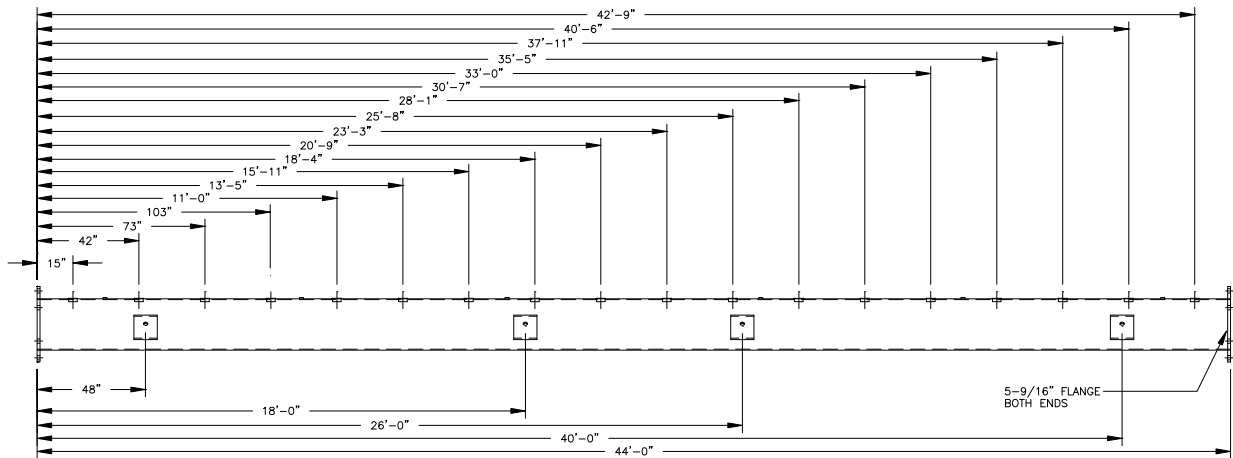
## Pipe, Half, 5-9/16", 30" Outlets, 11-3652-2, 14-4856-0



Ref.	Original Part No.	Substitute Part No.	Description
1	11-3652-2		Pipe, Half, 5-9/16", 30" Outlets

Ref.	Original Part No.	Substitute Part No.	Description
2	14-4856-0		Pipe, Half, 5-9/16", 30"

## Pipe, Span, 5-9/16", 30" Outlets, 11-3653-0, 14-4857-0

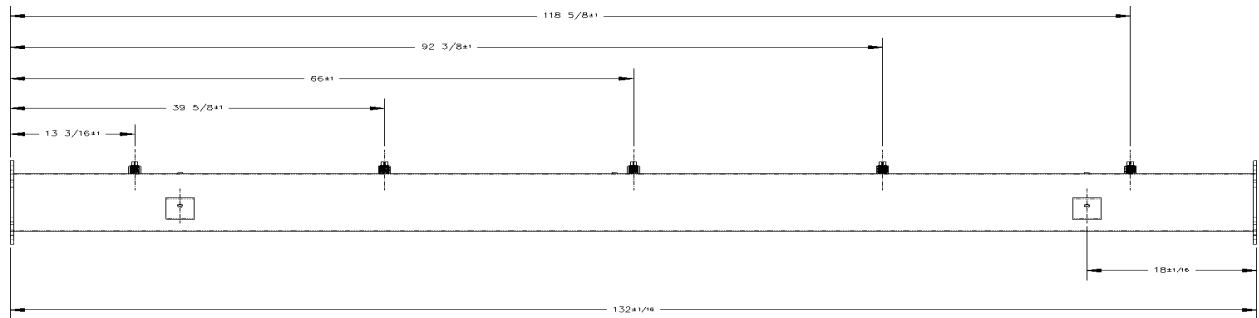


Ref.	Original Part No.	Substitute Part No.	Description
1	11-3653-0		Pipe, Span, 5-9/16", 30" Outlets
2	14-4857-0		Pipe, Span, 5-9/16", 30"



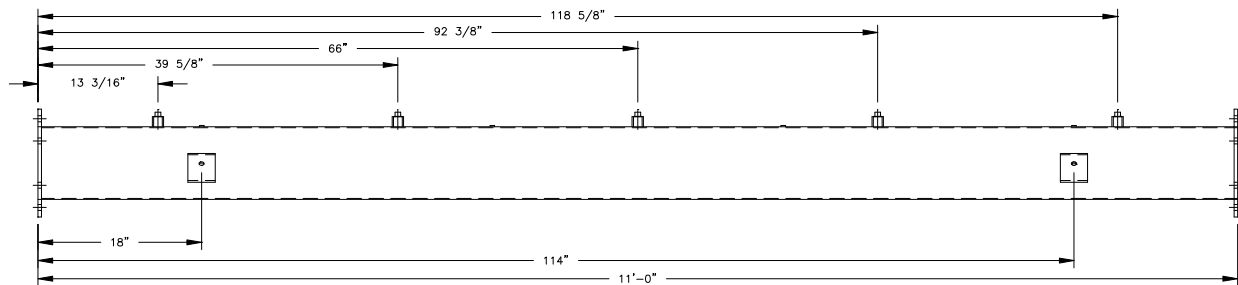
# Pivot Spans

## Pipe, Extension, 8-5/8" x 11', 16-0010-6



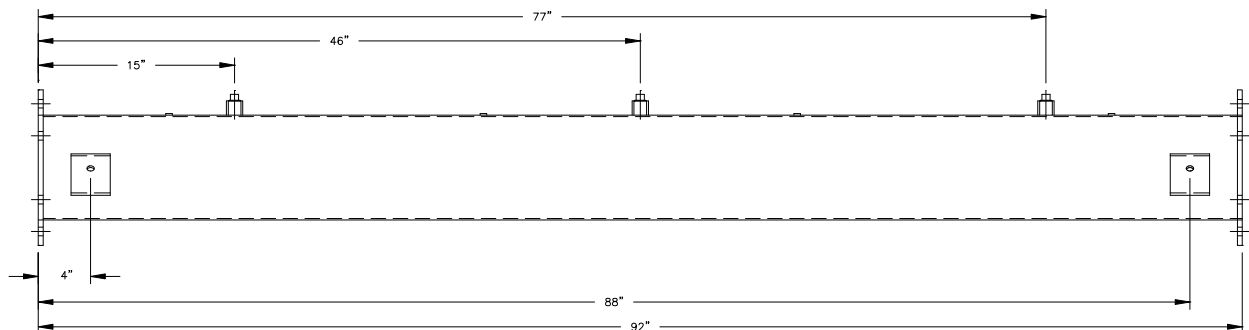
Ref.	Original Part No.	Substitute Part No.	Description
1	16-0010-6		Pipe, Extension, 8-5/8" x 11'

## Pipe, Extension, 8" x 11', 11-3663-9



Ref.	Original Part No.	Substitute Part No.	Description
1	11-3663-9		Pipe, Extension, 8" x 11'

## Pipe, 8" x 7' 8" Extension, 11-3660-5

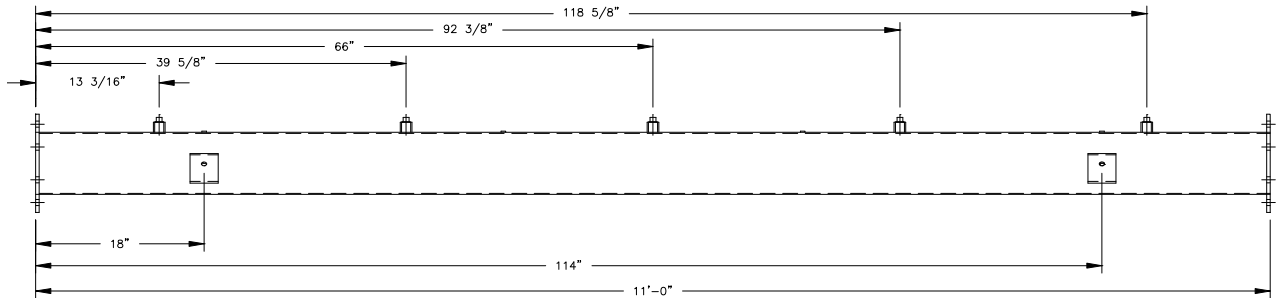


Ref.	Original Part No.	Substitute Part No.	Description
1	11-3660-5		Pipe, Extension, 8" x 7' 8"



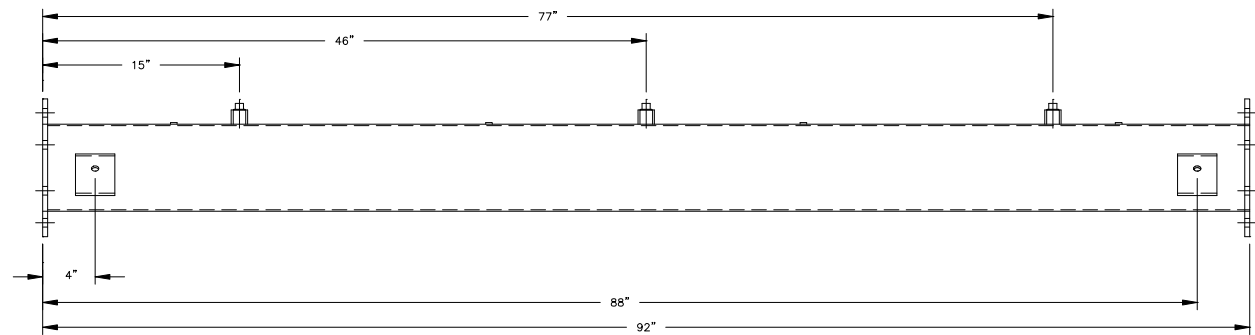
# Pivot Spans

## Pipe, Extension, 6-5/8" x 11', 11-3658-9



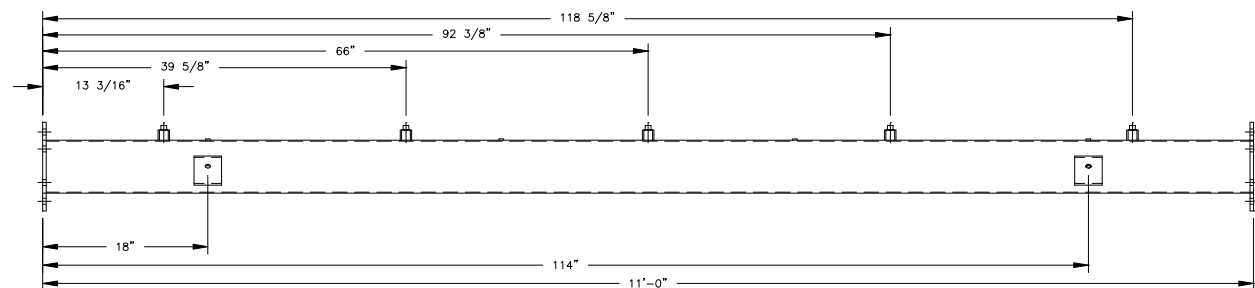
Ref.	Original Part No.	Substitute Part No.	Description
1	11-3658-9		Pipe, Extension, 6-5/8" x 11'

## Pipe, Extension, 6-5/8" x 7' 8", 11-3659-7



Ref.	Original Part No.	Substitute Part No.	Description
1	11-3659-7		Pipe, Extension, 6-5/8" x 7'8"

## Pipe, Extension, 5-9/16" x 11', 11-8243-5

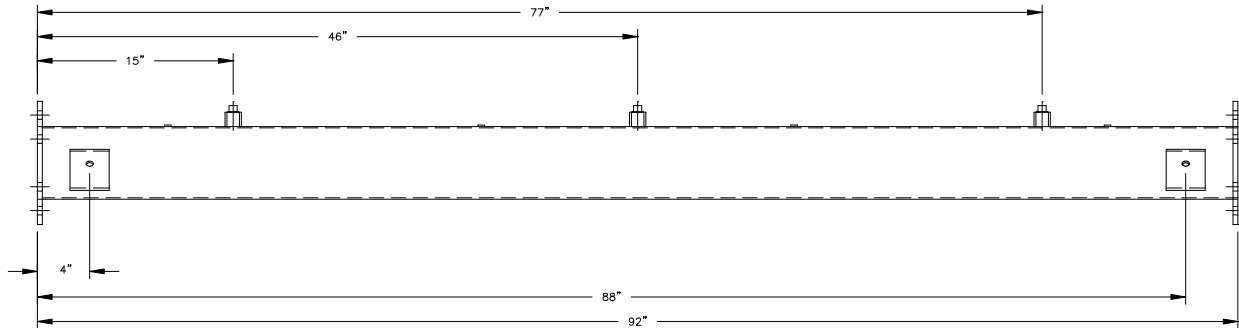


Ref.	Original Part No.	Substitute Part No.	Description
1	11-8243-5		Pipe, Extension, 5-9/16" x 11'



# Pivot Spans

## Pipe, 5-9/16" x 7' 8" Extension, 11-4776-8



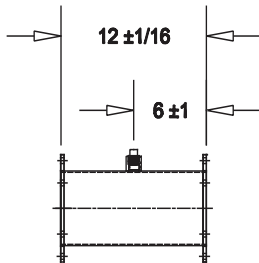
Ref.	Original Part No.	Substitute Part No.	Description
1	11-4776-8		Pipe, Extension, 5-9/16" x 7' 8"



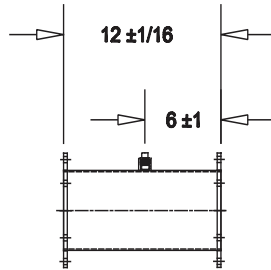
# Pivot Spans

## Pipe, Weld, Extensions, 1' and 3'

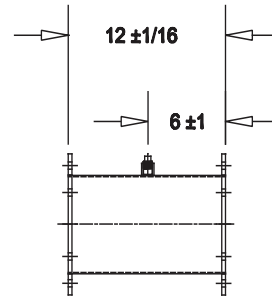
**11-0039-5**  
PIPE,WELD,EXT,5-9/16" x 1'



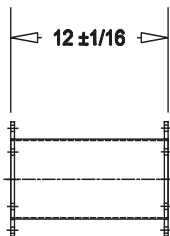
**11-0037-9**  
PIPE,WELD,EXT,6-5/8" x 1'



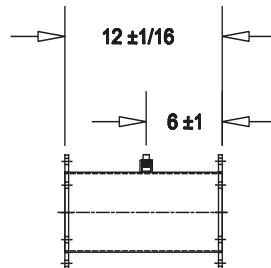
**11-3438-6**  
PIPE,WELD,EXT,8" x 1'



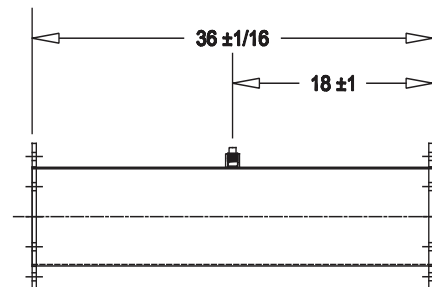
**1609002**  
PIPE,WELD,EXT,6-5/8" x 1'  
NO OUTLET



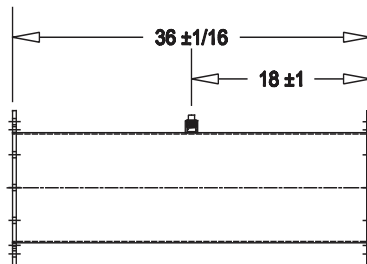
**11-0037-9**  
PIPE,WELD,EXT,6-5/8" x 1'



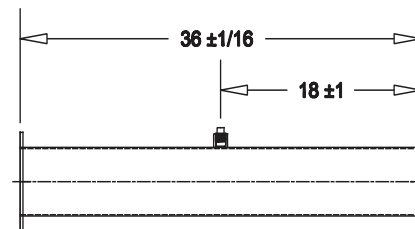
**03-8247-3**  
PIPE,WELD,EXT,8"X36"



**11-5228-9**  
PIPE,WELD,EXT,10"X36"



**03-8245-7**  
PIPE,WELD,EXT,5-9/16"X36"



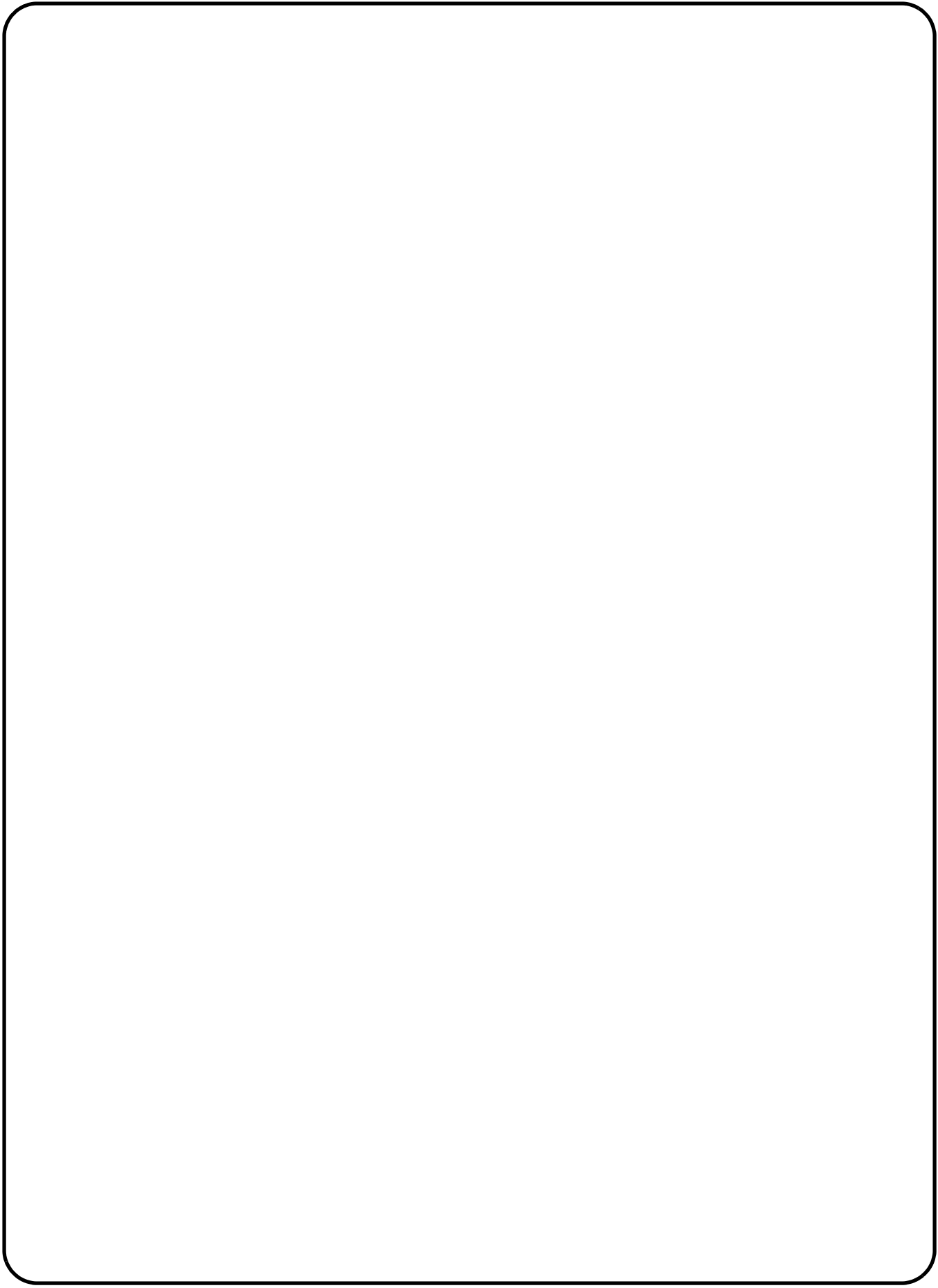
Ref.	Original Part No.	Substitute Part No.	Description
1	03-8245-7		Pipe, Weld, Extension, 5-9/16" x 36"
2	03-8247-3		Pipe, Weld, Extension, 8" x 36"
3	11-0037-9		Pipe, Weld, Extension, 6-5/8" x 1'
4	11-0039-5		Pipe, Weld, Extension, 5-9/16" x 1'
5	11-3438-6		Pipe, Weld, Extension, 8" x 1'
6	11-5228-9		Pipe, Weld, Extension, 10" x 36"
7	14-4326-0		Pipe, Weld, Extension, 8-5/8" x 1'
8	14-4322-0		Pipe, Weld, Extension, 8-5/8" x 36"
9	1609002		Pipe, Weld, Extension, No Outlet, 6-5/8" x 1'

This page is left blank intentionally



## Table of Contents

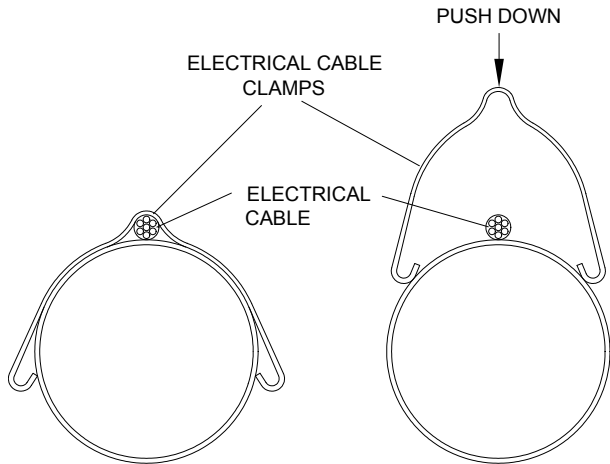
<b>Alternative Pipe</b> .....	D-3
Electrical Cable Clips on Pipeline, Stainless Steel .....	D-3
Span Assembly (Pipe Identification) Stainless Steel .....	D-4
Span Assembly (Pipe Identification) Aluminum Pipe .....	D-5
Span Assembly (Truss Assembly) Aluminum Pipe .....	D-6
Aluminum & Stainless Steel Isolation Kit .....	D-7
Span Assembly (Pipe Identification) Poly-Lined Pipe, 8-5/8" .....	D-9
Span Assembly (Pipe Identification) Poly-Lined Pipe, 8" .....	D-10
Span Assembly (Pipe Identification) Poly-Lined Pipe, 6-5/8" .....	D-11
Span Assembly (Truss Assembly) Poly-Lined Pipe, 6-5/8", 8", 8-5/8" ....	D-12
Span Assembly (Truss Assembly) Poly-Lined Pipe, 6-5/8", 8", 8-5/8" (cont'd.) .....	D-13
Pipe, Half, 8", Stainless Steel, (Outlets are Couplings) .....	D-14
Pipe, Span, 6-5/8", Aluminum .....	D-15
Pipe, Half, 6-5/8", Aluminum .....	D-16
Pipe, 8-5/8", Poly-Lined .....	D-17
Pipe, 8", Poly-Lined .....	D-18
Pipe, 6-5/8", Poly-Lined .....	D-19
Pipe, Extensions, Stainless Steel, 6-5/8" x 7' 8" and 11' .....	D-20
Pipe Extensions, 1' and 3', Stainless Steel .....	D-21





## D Alternative Pipe

### Electrical Cable Clips on Pipeline, Stainless Steel

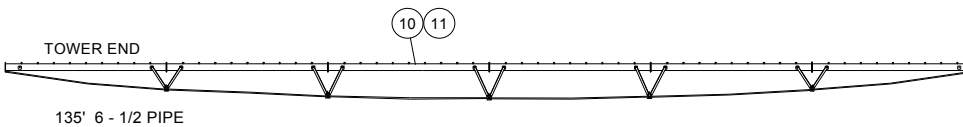
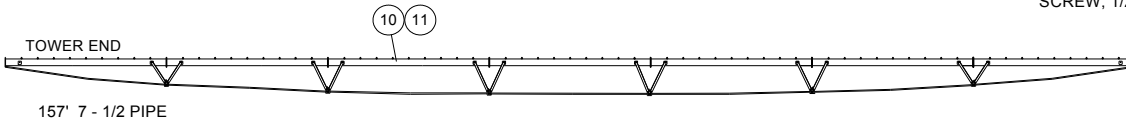
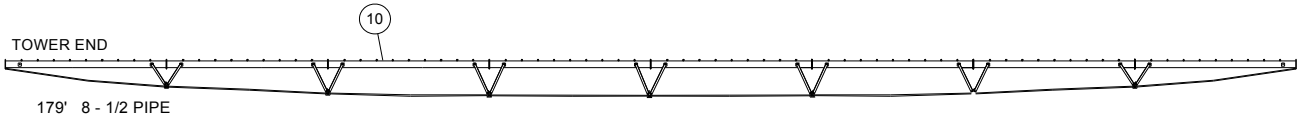


Ref.	Original Part No.	Substitute Part No.	Description
1	11-6333-6		Clip, Conduit, Spring Wire, 6-5/8", Stainless Steel

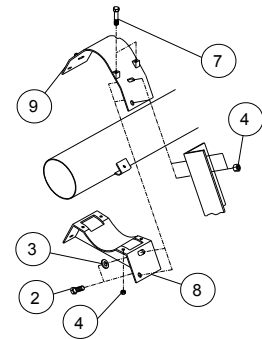


# Alternative Pipe

## Span Assembly (Pipe Identification) Stainless Steel



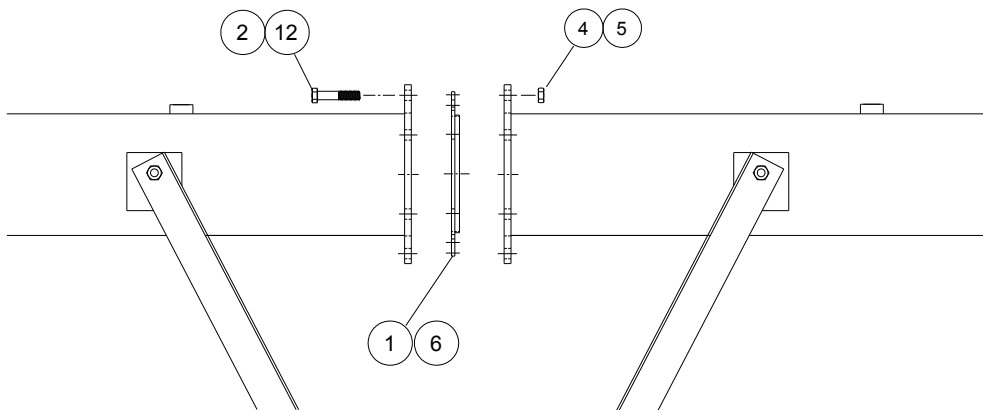
FLANGE SCREWS  
SCREW, 5/8 x 2 - 8" PIPE  
SCREW, 1/2 x 1-1/2 - 6-5/8" PIPE



8" TOWER LEG CLAMP DETAIL

**NOTES:** Make sure spans are not tilted when tightening bolts. If there is a tilt to the span, loosen bolts, level span, and retighten bolts.

For 8" stainless steel pipe, use all half pipe available for 135' and 157' spans.



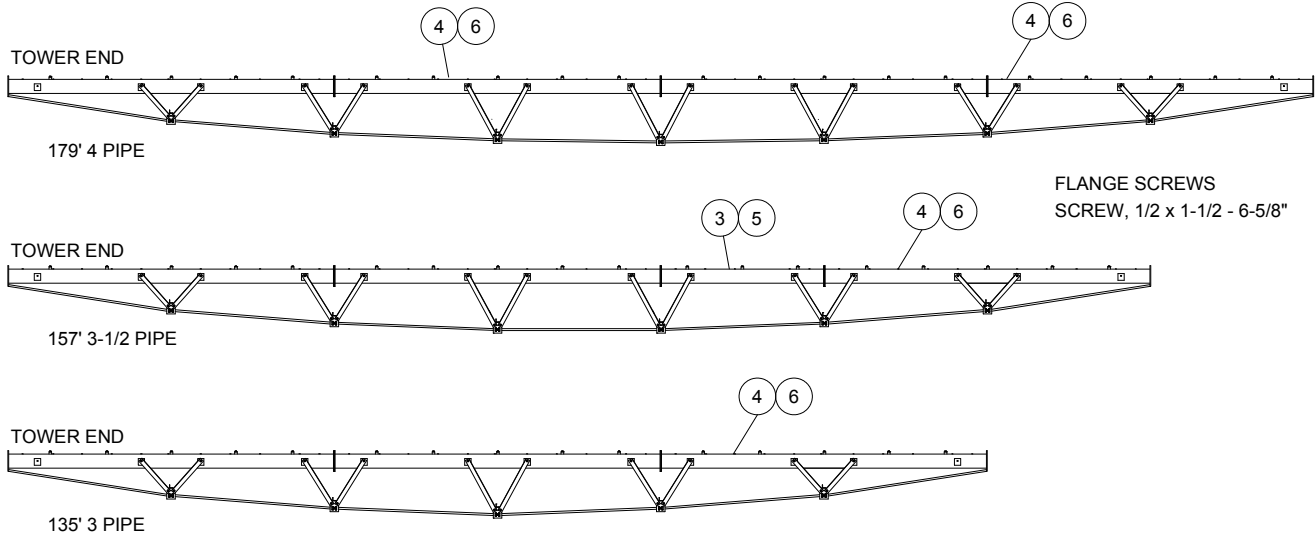
Ref.	Original Part No.	Substitute Part No.	Description
1	06-0795-2		Gasket, Flange, 8"
2	06-0807-5		Screw, 5/8-11 x 2", Hex, Gr. 5
3	06-0818-2		Washer, Flat, 5/8"
4	06-2416-3		Nut, 5/8-11, Lock
5	06-2418-9		Nut, 1/2-13, Lock
6	06-4486-4		Gasket, 6-5/8", Pipe Flange
7	06-4528-3		Screw, 5/8-11 x 4-1/2", Hex, Gr. 5
8	11-6424-3		Clamp Weld, Lower Half, 8"
9	11-6428-4		Clamp Weld, Upper Half, 8"

Ref.	Original Part No.	Substitute Part No.	Description
10	12-1043-0		Pipe, Half, 6-5/8", 30" Outlets
11	12-1044-0		Pipe, Half, 8", 30" Outlets
12	26-0760-4		Screw, 1/2-13 x 1-1/2", Hex, Gr. 5
13	11-6738-6		Pipe, Weld, Extension, 6-5/8" x 12"
14	12-5773-0		Pipe, Weld, Extension, 6-5/8" x 36"
15	14-0435-0		Pipe, Weld, Extension, 6-5/8" x 7'8"
16	14-0438-0		Pipe, Weld, Extension, 6-5/8" x 11"
17	14-0430-0		Pipe, Weld, Extension, 8" x 36"
18	14-0433-0		Pipe, Weld, Extension, 8" x 12"

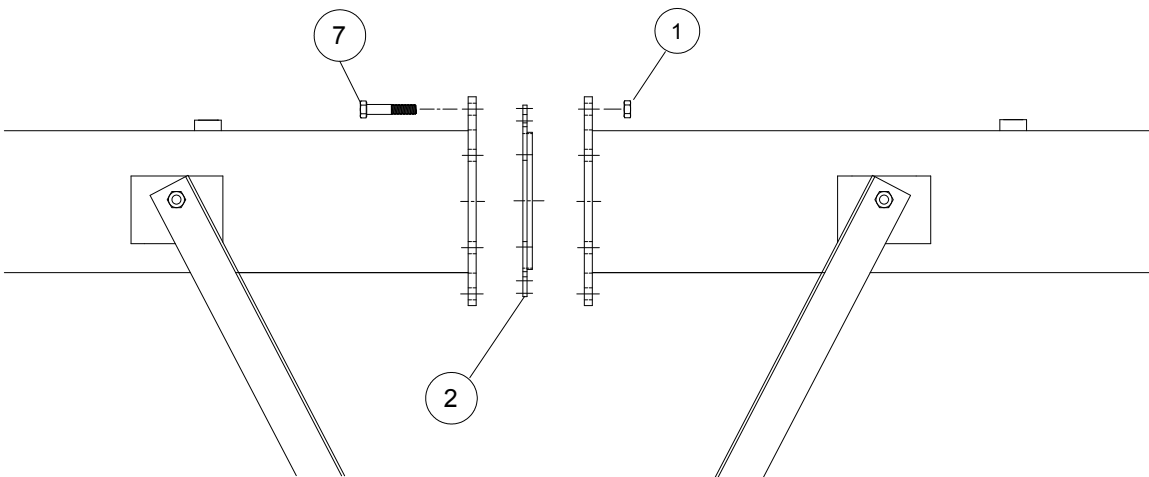


# Alternative Pipe

## Span Assembly (Pipe Identification) Aluminum Pipe



**NOTE:** Make sure spans are not tilted when tightening bolts. If there is a tilt to the span, loosen bolts, level span, and retighten bolts.



Ref.	Original Part No.	Substitute Part No.	Description
1	06-2418-9		Nut, 1/2-13, Lock
2	06-4486-4		Gasket, 6-5/8", Pipe Flange
3	12-3752-0		Pipe, Half, 6-5/8", 30" Outlets, Aluminum
4	12-3753-0		Pipe, Span, 6-5/8", 30" Outlets, Aluminum
5	12-3750-0		Pipe, Half, 6-5/8", 90" Outlets, Aluminum
6	12-3751-0		Pipe, Span, 6-5/8", 90" Outlets, Aluminum
7	26-0760-4		Screw, 1/2-13 x 1-1/2", Hex, Gr. 5



# Alternative Pipe

## Span Assembly (Truss Assembly) Aluminum Pipe

### Electrical Cable Lengths

Span Lengths	Cable Lengths
179'	184.5
157'	162.5
135'	140.5

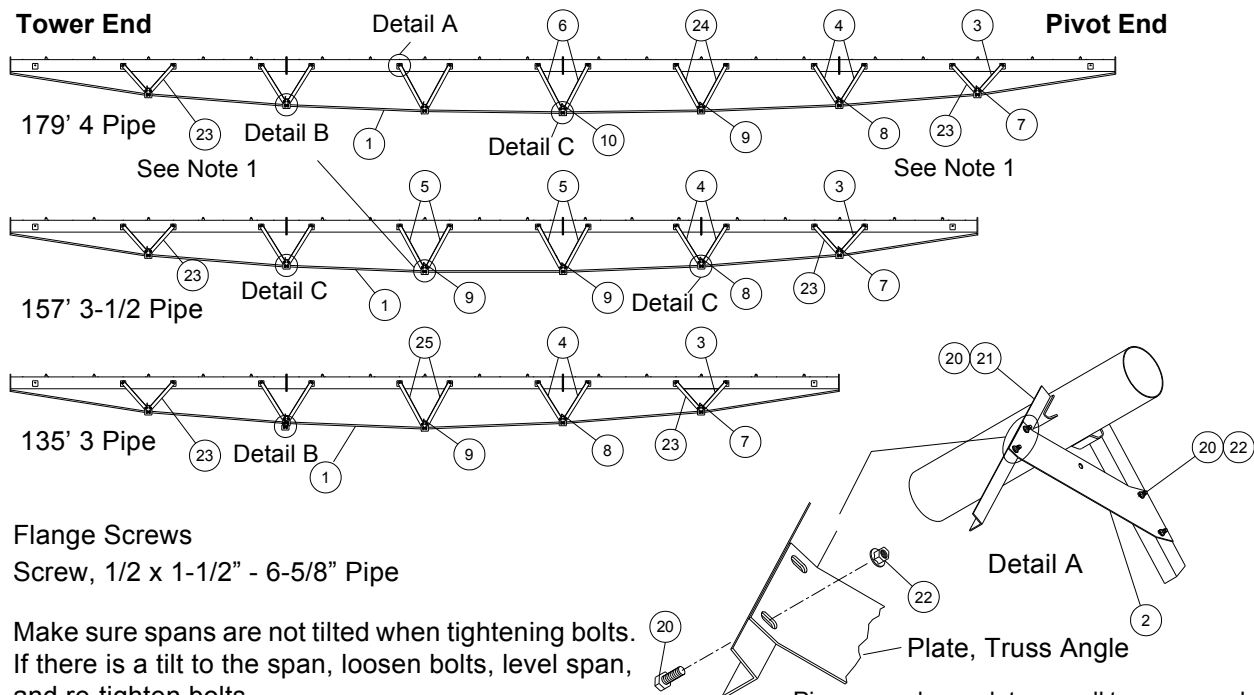
### International Electrical Cable Lengths (Non-Shielded Cable)

Part Number	Span Lengths	Cable Lengths
3-8170-7	179'	184.5
3-8171-5	157'	162.5
3-8172-3	135'	140.5

**NOTE 1:** Inside truss on first v-jack on 179', 157' and 135' aluminum span is 62-1/2".

The third set of braces on the v-jack of the 179' span are 96-3/4".

The third set of braces on the v-jack of the 135' span are 94 1/4".



### Flange Screws

Screw, 1/2 x 1-1/2" - 6-5/8" Pipe

Make sure spans are not tilted when tightening bolts. If there is a tilt to the span, loosen bolts, level span, and re-tighten bolts.

Pipe spans have plates on all truss assemblies except for the first two on each end.

Ref.	Original Part No.	Substitute Part No.	Description
1	03-0337-0		Rod, Truss, Headed, 11/16"
2	03-0498-0		Plate, Truss Angle, 6-5/8"
3	03-6709-4		Brace, Truss, 63-1/2"
4	03-6710-2		Brace, Truss, 81-1/4"
5	03-6711-0		Brace, Truss, 97-3/4"
6	03-6712-8		Brace, Truss, 101-3/4"
7	03-6713-6		Tie, Truss, 62-1/2"
8	03-6714-4		Tie, Truss, 95-1/2"
9	03-6715-1		Tie, Truss, 123-1/2"
10	03-6716-9		Tie, Truss, 129-1/2"
11	03-6918-1		Cable, Elec., 4#10, 6#14, 140.5'
12	03-6919-9		Cable, Elec., 4#10, 6#14, 162.5'
13	03-6920-7		Cable, Elec., 4#10, 6#14, 184.5'

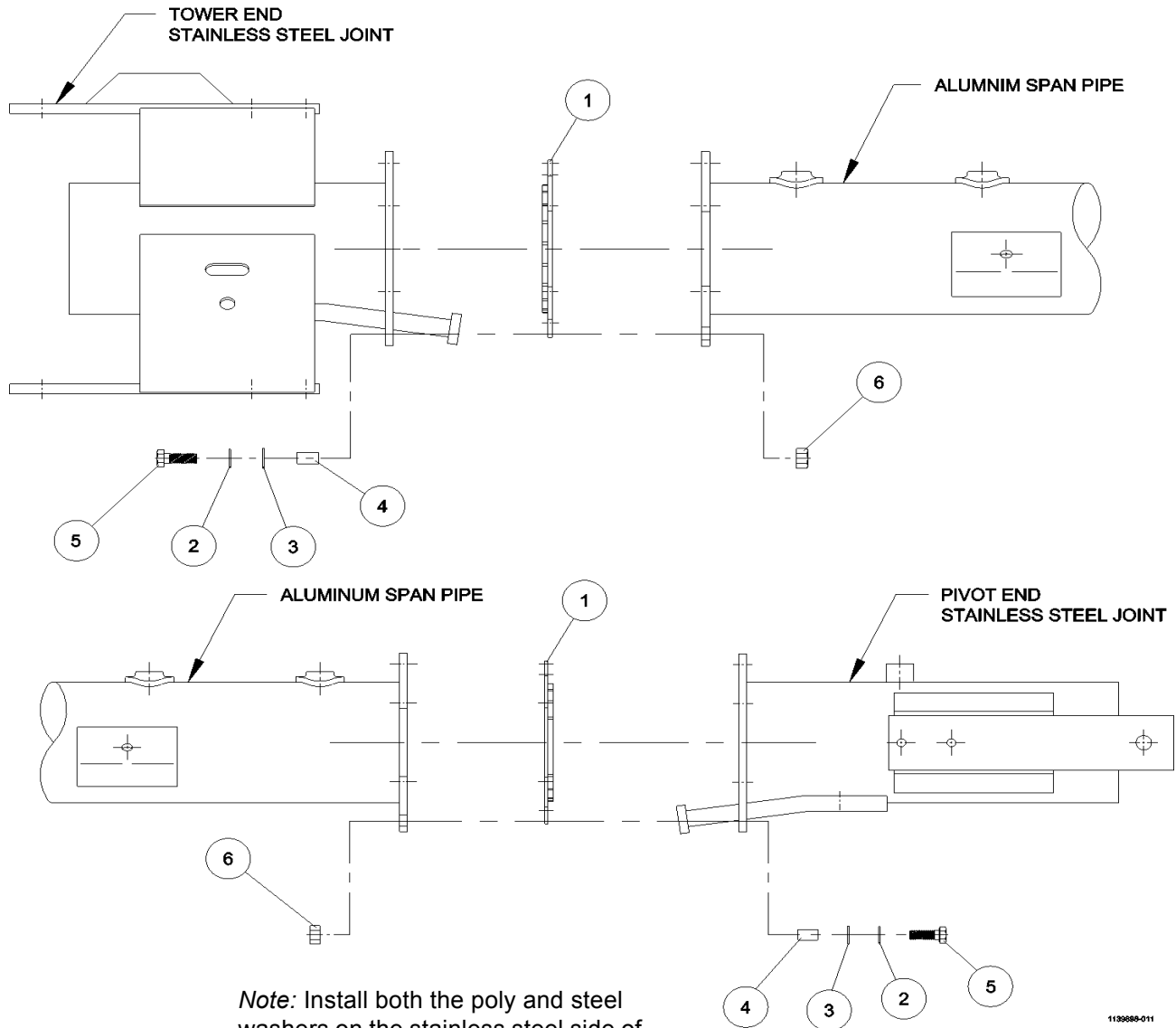
Ref.	Original Part No.	Substitute Part No.	Description
14	03-6928-0		Cable, Elec., 4#12, 6#14, 140.5'
15	03-6929-8		Cable, Elec., 4#12, 6#14, 162.5'
16	03-6930-6		Cable, Elec., 4#12, 6#14, 184.5'
17	03-8141-8		Cable, Elec., 4#14, 6#18, 184.5'
18	03-8142-6		Cable, Elec., 4#14, 6#18, 162.5'
19	03-8143-4		Cable, Elec., 4#14, 6#18, 140.5'
20	06-0804-2		Screw, 1/2-13 x 1-1/4", Hex, Gr. 5
21	06-2418-9		Nut, 1/2-13, Lock
22	11-4529-1		Nut, 1/2-13, Flange, Toplock
23	12-6883-0		Brace, Truss, 62-1/2"
24	12-7093-0		Brace, Truss, 97-1/4"
25	13-3996-0		Brace, Truss, 94 1/4"



# Alternative Pipe

## Aluminum & Stainless Steel Isolation Kit

*Note:* Two isolation kits are required on the aluminum span, use one kit on the each end of the span.



*Note:* Install both the poly and steel washers on the stainless steel side of the flange connection.

1139889-011

Ref.	Part No.	Description
1	06-4486-4	Gasket, Flange, 6-5/8" Pipe
2	10-2882-8	Washer, Flat, 1/2x.938x.065, ZPY
3	16-0014-3	Washer, Flat, 1/2", Poly
4	16-0014-6	Tubing, Poly, 1"x0.50"IDx0.56"OD
5	26-0760-4	Screw, 1/2-13x1-1/2", HX, Gr.5,ZPY
6	06-2418-9	Nut, 1/2-13, Lock, A563-Gr.A, ZN

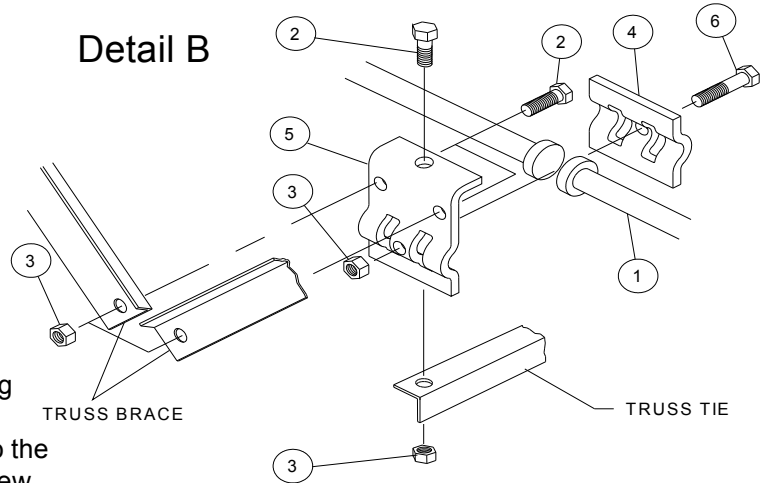


# Alternative Pipe

## Rod Pockets

Rod Diameter	
Length	Pipe Diameter
179'	11/16
157'	11/16
135'	11/16

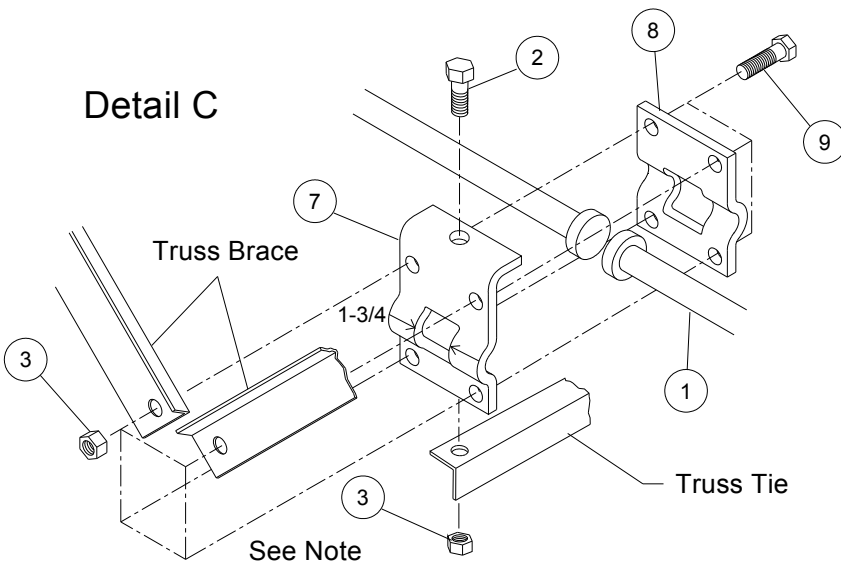
Detail B



Standard Rod Anchor Assembly

**NOTE:** While suspending the span during erection, align the rod anchors before tightening to allow a box wrench to fit onto the screw head when tightening the truss screw.

Detail C



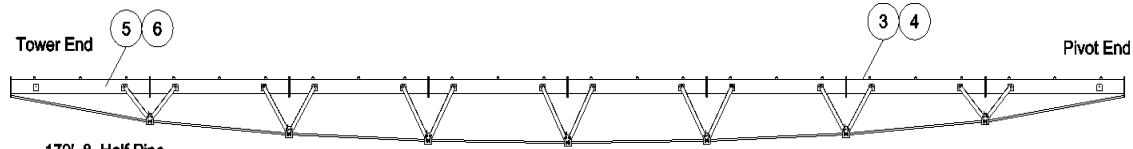
1-3/4" Anchor Assembly

Ref.	Original Part No.	Substitute Part No.	Description
1	03-0337-0		Rod, Truss, Headed, 11/16"
2	06-0804-2		Screw, 1/2-13 x 1-1/4", Hex, Gr. 5
3	06-2418-9		Nut, 1/2-13, Lock
4	10-5892-4		Anchor, Rod, Gen II, Small
5	10-5893-2		Anchor, Rod, Gen II, Large
6	13-8996-0		Screw, 1/2-13 x 1-1/8", Car, Zinc
7	12-2660-0		Anchor, Rod, Top, 1-3/4" I.D.
8	12-2661-0		Anchor, Rod, Bottom, 1-3/4" I.D.
9	26-0760-4		Screw, 1/2-13 x 1-1/2", Hex, Gr. 5



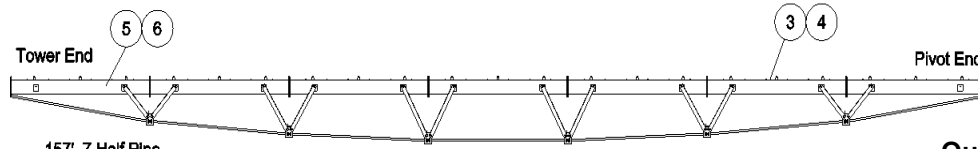
# Alternative Pipe

## Span Assembly (Pipe Identification) Poly-Lined Pipe, 8-5/8"



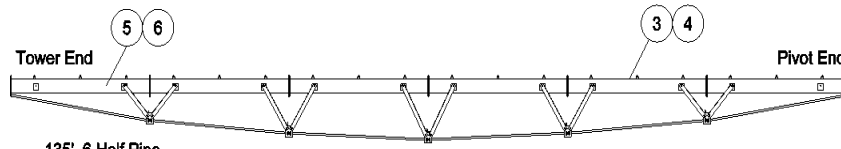
179' 8 Half Pipe  
SEE DETAIL "A"

FLANGE SCREWS  
SCREW, 5/8 x 2 - 8" Pipe

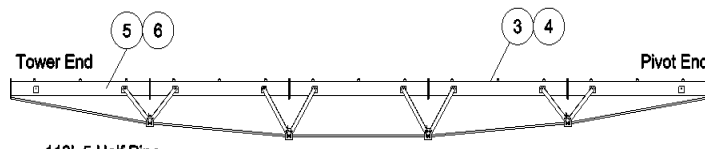


157' 7 Half Pipe

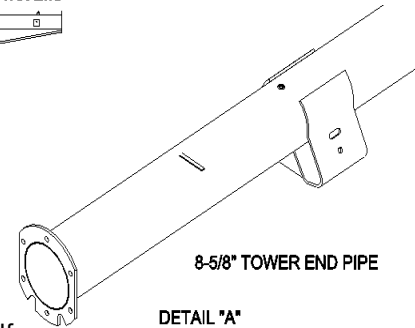
**Outlets Per Half Pipe**  
30" = 9 each  
90" = 3 each (shown)



135' 6 Half Pipe



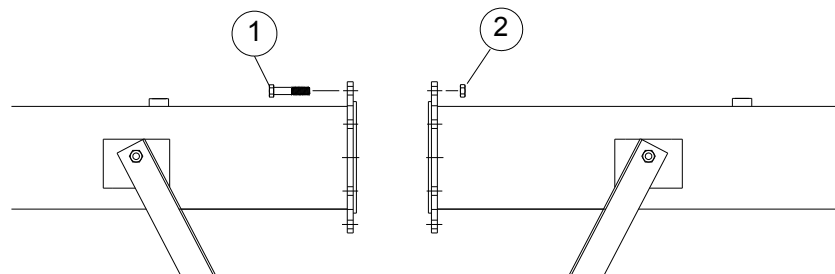
113' 5 Half Pipe



DETAIL "A"

Make sure spans are not tilted when tightening bolts. If there is a tilt to the span, loosen bolts, level span, and re-tighten bolts.

**NOTE:** No gaskets are used between half pipe.  
Gaskets are used at the half pipe to the pivot end and tower end joint.



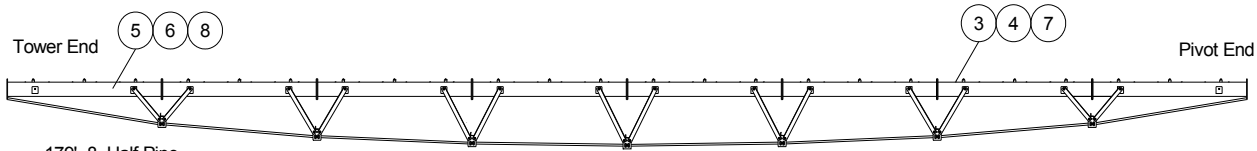
Ref.	Original Part No.	Substitute Part No.	Description
1	06-0807-5		Screw, 5/8-11 x 2", Hex, Gr. 5
2	06-2416-3		Nut, 5/8-11, Lock
3	14-4530-0		Pipe, Half, 8-5/8", 90", Polylined
4	14-4531-0		Pipe, Half, 8-5/8", 30", Polylined

Ref.	Original Part No.	Substitute Part No.	Description
5	14-4532-0		Pipe, Half, T.E., 8-5/8", 90", Poly
6	14-4533-0		Pipe, Half, T.E., 8-5/8", 30", Poly
7			
8			



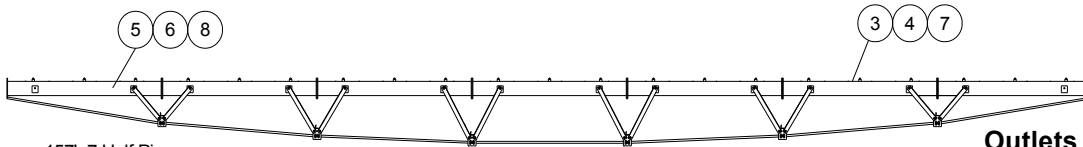
# Alternative Pipe

## Span Assembly (Pipe Identification) Poly-Lined Pipe, 8"



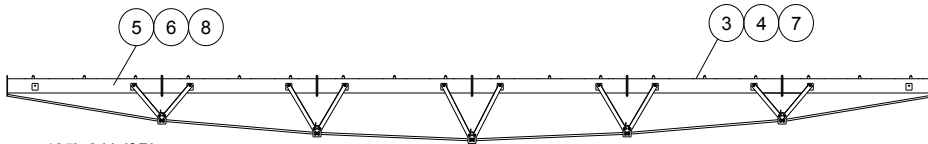
179' 8 Half Pipe  
SEE DETAIL "A"

FLANGE SCREWS  
SCREW, 5/8 x 2 - 8" Pipe

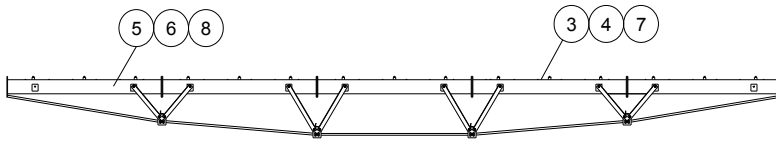


157' 7 Half Pipe

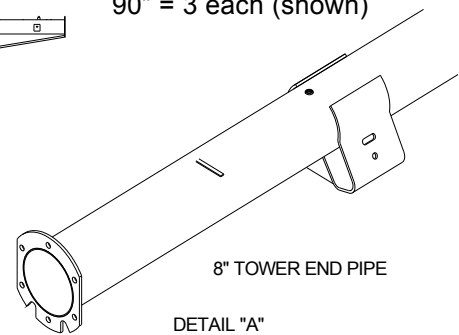
**Outlets Per Half Pipe**  
30" = 9 each  
52.8 = 5 each  
90" = 3 each (shown)



135' 6 Half Pipe

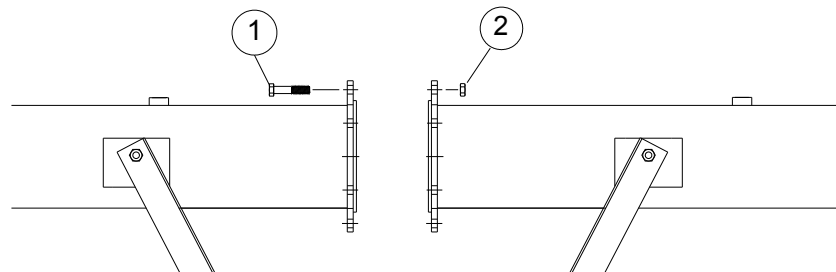


113' 5 Half Pipe



Make sure spans are not tilted when tightening bolts. If there is a tilt to the span, loosen bolts, level span, and re-tighten bolts.

**NOTE:** No gaskets are used between half pipe.  
Gaskets are used at the half pipe to the pivot end and tower end joint.



Ref.	Original Part No.	Substitute Part No.	Description
1	06-0807-5		Screw, 5/8-11 x 2", Hex, Gr. 5
2	06-2416-3		Nut, 5/8-11, Lock
3	13-5505-0		Pipe, Half, 8", 90", Poly-Lined
4	13-5507-0		Pipe, Half, 8", 30", Poly-Lined

Ref.	Original Part No.	Substitute Part No.	Description
5	13-5514-0		Pipe, Half, T.E., 8", 90", Poly-Lined
6	13-5516-0		Pipe, Half, T.E., 8", 30", Poly-Lined
7	13-5965-0		Pipe, Half, 8", 52.8", Poly-Lined
8	13-5967-0		Pipe, Half, TE, 8", 52.8", Poly-Lined



# Alternative Pipe

## Span Assembly (Pipe Identification) Poly-Lined Pipe, 6-5/8"

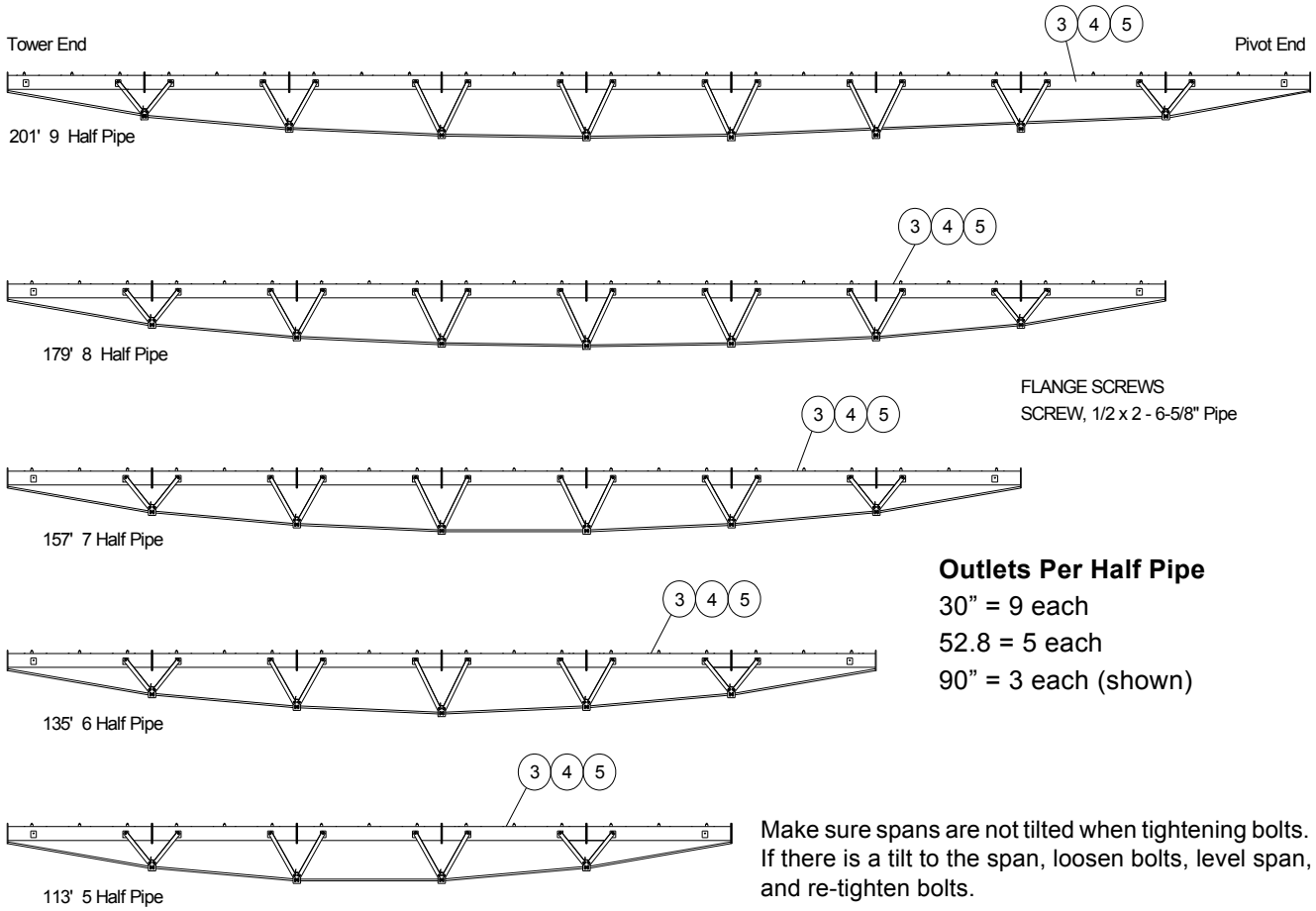
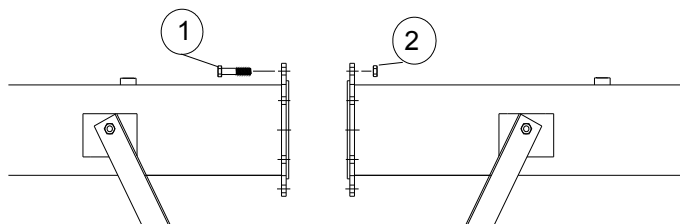


Figure 3.1

**NOTE:** No gaskets are used between half pipe. Gaskets are used at the half pipe to the pivot end, tower end and last joint, also at the overhang pipe to last joint and overhang cap.

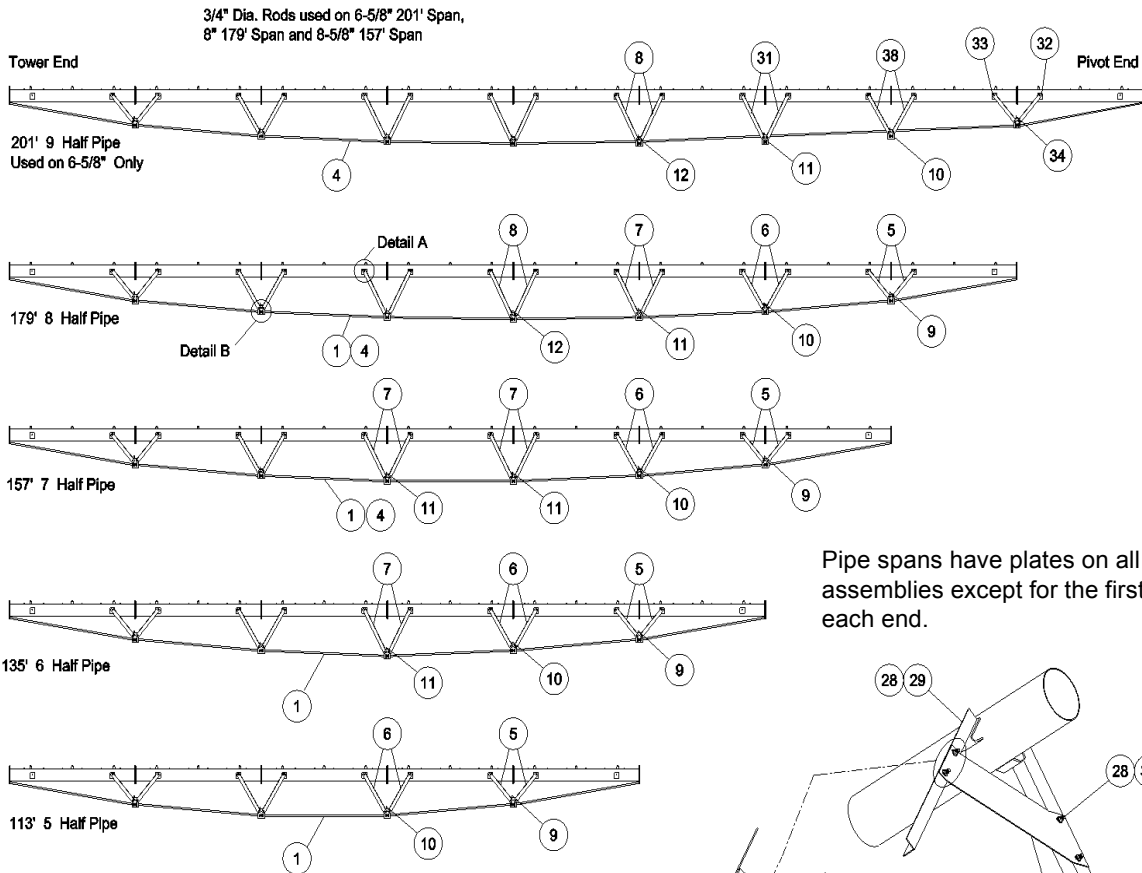


Ref.	Original Part No.	Substitute Part No.	Description
1	06-2418-9		Nut, 1/2-13, Lock
2	06-0805-9		Screw, 1/2-13 x 2", Hex, Gr. 5
3	13-4505-0		Pipe, Half, 6-5/8", 90", Poly-Lined
4	13-5484-0		Pipe, Half, 6-5/8", 30", Poly-Lined
5	13-5921-0		Pipe, Half, 6-5/8", 52.8", Poly-Lined

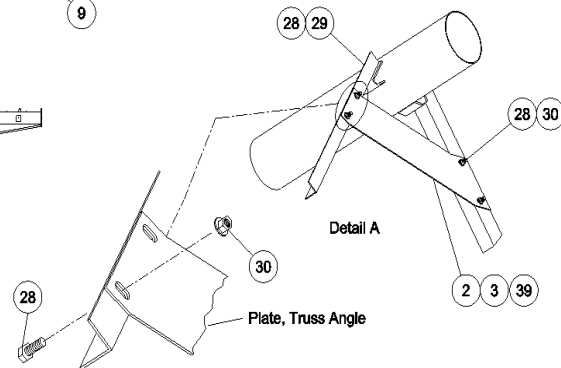


# Alternative Pipe

## Span Assembly (Truss Assembly) Poly-Lined Pipe, 6-5/8", 8", 8-5/8"



Pipe spans have plates on all truss assemblies except for the first two on each end.



Flange Screws  
Screw, 5/8" x 2" - 8" & 8-5/8" Pipe  
Screw 1/2 x 2" - 6-5/8" Pipe

Make sure spans are not tilted when tightening bolts. If there is a tilt to the span, loosen bolts, level span, and re-tighten bolts.



# Alternative Pipe

## Span Assembly (Truss Assembly) Poly-Lined Pipe, 6-5/8", 8", 8-5/8" (cont'd.)

### Electrical Cable Lengths

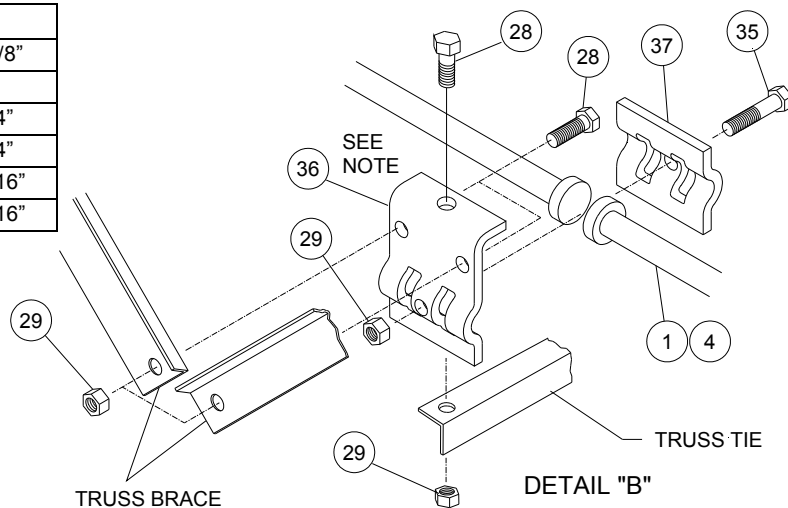
Span Lengths	Cable Lengths
201'	206.5'
179'	184.5'
157'	162.5'
135'	140.5'
113'	118.5'

### International Electrical Cable Lengths (Non-Shielded Cable)

Part Number	Span Lengths	Cable Lengths
3-8164-0	201'	206.5'
3-8170-7	179'	184.5'
3-8171-5	157'	162.5'
3-8172-3	135'	140.5'
3-8173-1	113'	118.5'

### Rod Diameter

Length	Pipe Diameter		
	6 5/8"	8"	8-5/8"
201'	3/4"		
179'	11/16"	3/4"	3/4"
157'	11/16"	11/16"	3/4"
135'	11/16"	11/16"	11/16"
113'	11/16"	11/16"	11/16"



**NOTE:** While suspending the span during erection, align the rod anchors before tightening to allow a box wrench to fit onto the screw head when tightening the truss screw.

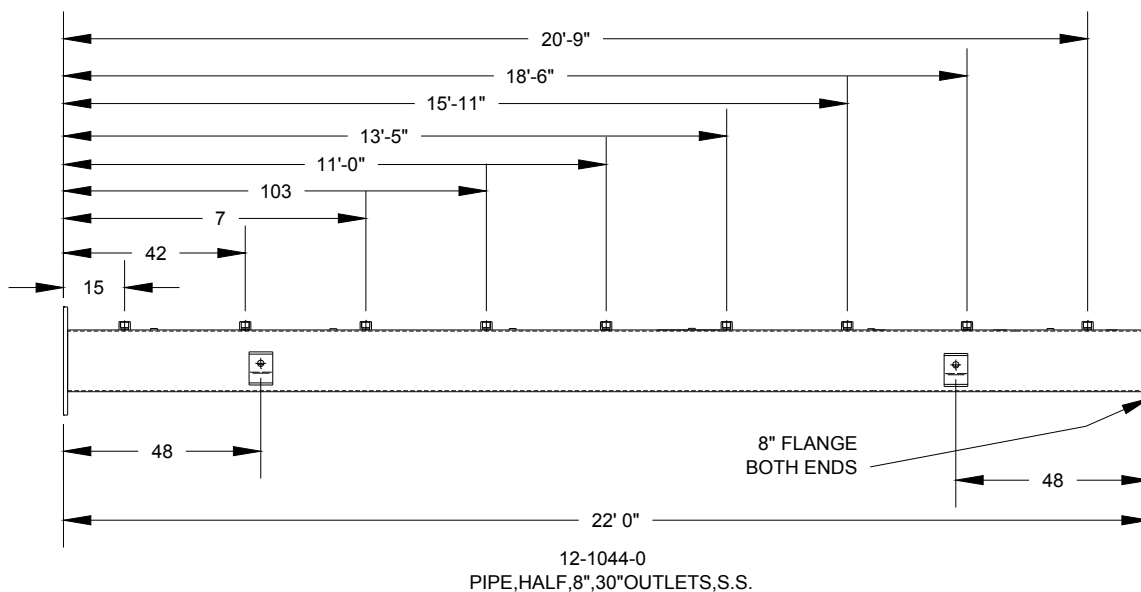
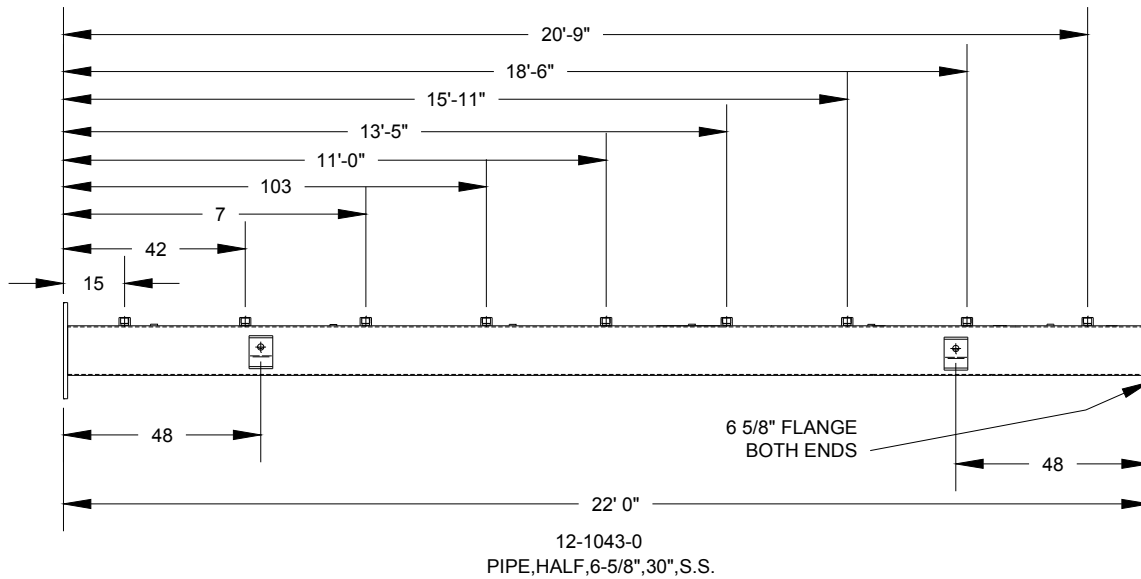
Ref.	Original Part No.	Substitute Part No.	Description
1	03-0337-0		Rod, Truss, Headed, 11/16"
2	03-0498-0		Plate, Truss Angle, 6-5/8"
3	03-0514-4		Plate, Truss Angle, 8"
4	03-6707-8		Rod, Truss, Headed, 3/4", Gr. 60
5	03-6709-4		Brace, Truss, 63-1/2"
6	03-6710-2		Brace, Truss, 81-1/4"
7	03-6711-0		Brace, Truss, 97-3/4"
8	03-6712-8		Brace, Truss, 101-3/4"
9	03-6713-6		Tie, Truss, 62-1/2"
10	03-6714-4		Tie, Truss, 95-1/2"
11	03-6715-1 1353680		Tie, Truss, 123-1/2" Tie, Truss, 114-3/4", 201' Only
12	03-6716-9		Tie, Truss, 129-1/2"
13	03-6917-3		Cable, Elec., 4#10, 6#14, 118.5'
14	03-6918-1		Cable, Elec., 4#10, 6#14, 140.5'
15	03-6919-9		Cable, Elec., 4#10, 6#14, 162.5'
16	03-6920-7		Cable, Elec., 4#10, 6#14, 184.5'
17	03-6926-4		Cable, Elec., 4#10, 6#14, 206.5'
18	03-6927-2		Cable, Elec., 4#12, 6#14, 118.5'
19	03-6928-0		Cable, Elec., 4#12, 6#14, 140.5'

Ref.	Original Part No.	Substitute Part No.	Description
20	3-6929-8		Cable, Elec., 4#12, 6#14, 162.5'
21	3-6930-6		Cable, Elec., 4#12, 6#14, 184.5'
22	3-6936-3		Cable, Elec., 4#12, 6#14, 206.5'
23	3-8135-0		Cable, Elec., 4#14, 6#18, 206.5'
24	3-8141-8		Cable, Elec., 4#14, 6#18, 184.5'
25	3-8142-6		Cable, Elec., 4#14, 6#18, 162.5'
26	3-8143-4		Cable, Elec., 4#14, 6#18, 140.5'
27	3-8144-2		Cable, Elec., 4#14, 6#18, 118.5'
28	6-0804-2		Screw, 1/2-13 x 1-1/8", Hex, Gr. 5
29	6-2418-9		Nut, 1/2-13, Lock
30	11-4529-1		Nut, 1/2-13, Flange, Toplock
31	13-3996-0		Brace, Truss, 94-1/4"
32	13-5356-0		Brace, Truss, 61-1/2" Black
33	13-5357-0		Brace, Truss, 60" Pink
34	13-5365-0		Tie, Truss, 57-5/8" White
35	13-8996-0		Screw, 1/2-13 x 1-1/8", Car, Zinc
36	13-9995-0		Anchor, Rod, Gen II, Large
37	13-9996-0		Anchor, Rod, Gen II, Small
38	14-7295-0		Brace, Truss, 79-1/4 8500P
39	14-4310-0		Plate, Truss Angle, 8-5/8"



# Alternative Pipe

## Pipe, Half, 8", Stainless Steel, (Outlets are Couplings)

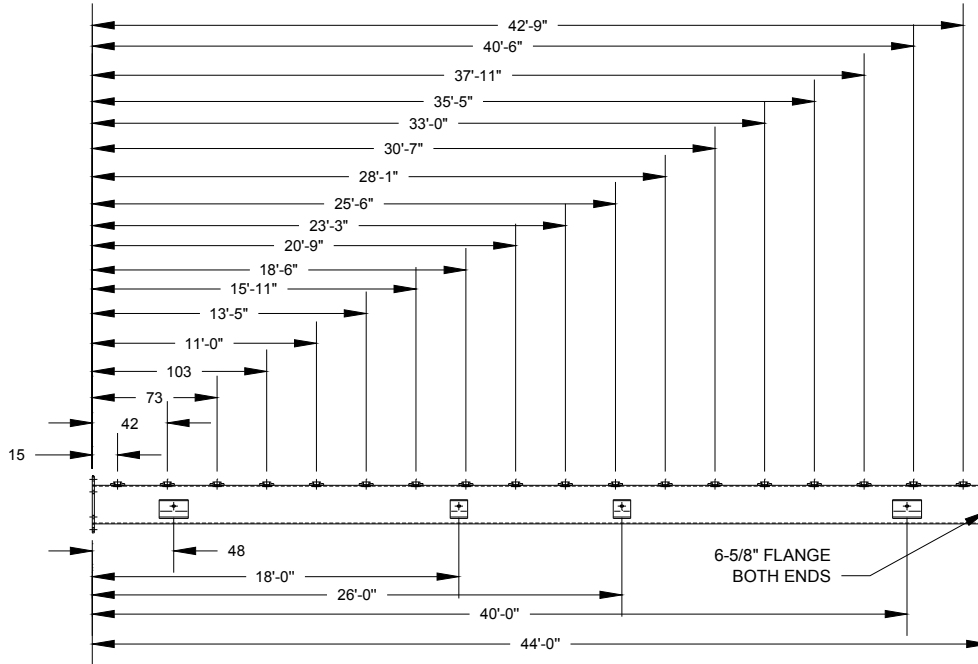


Ref.	Original Part No.	Substitute Part No.	Description
1	12-1043-0		Pipe, Half, 6-5/8", 30" Outlets, S.S.
2	12-1044-0		Pipe, Half, 8", 30" Outlets, S.S.

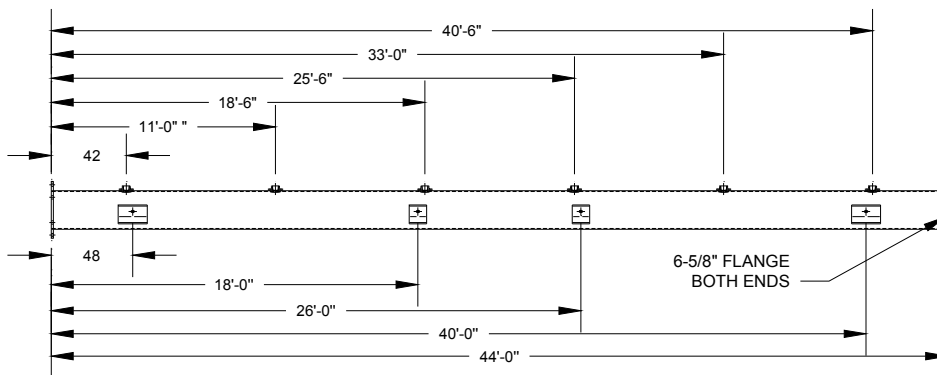


# Alternative Pipe

## Pipe, Span, 6-5/8", Aluminum



12-3753-0  
PIPE, SPAN, 6-5/8", 30", ALUMINUM



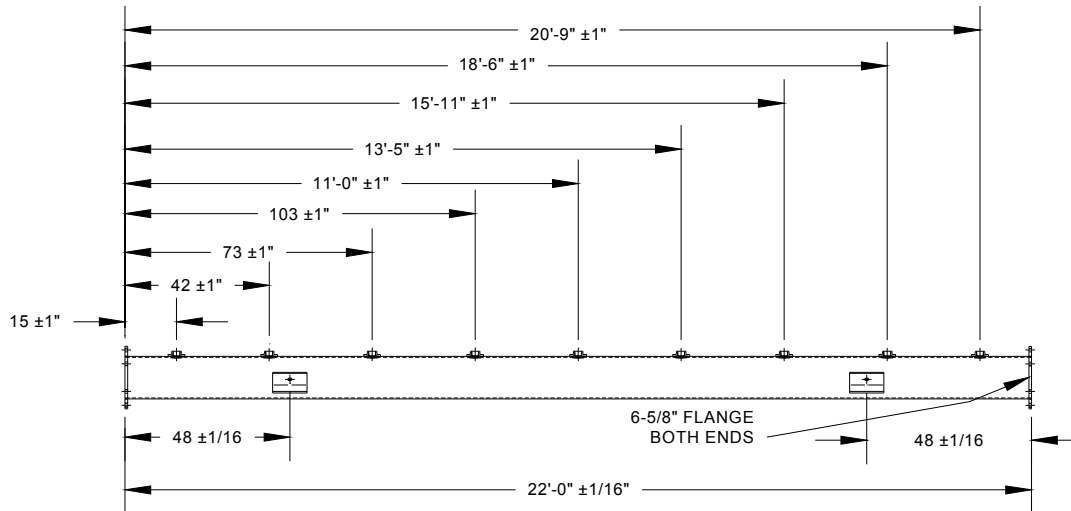
12-3751-0  
PIPE, SPAN, 6-5/8", 90", ALUMINUM

Ref.	Original Part No.	Substitute Part No.	Description
1	12-3753-0		Pipe, Span, 6-5/8", 30", Aluminum
2	12-3751-0		Pipe, Span, 6-5/8", 90", Aluminum

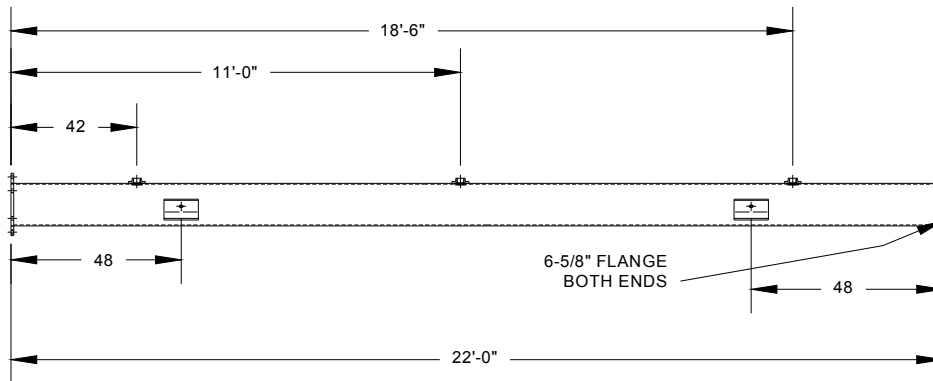


# Alternative Pipe

## Pipe, Half, 6-5/8", Aluminum



12-3752-0  
PIPE, HALF, 6-5/8", 30", ALUMINUM



12-3750-0  
PIPE, HALF, 6-5/8", 90", ALUMINUM

Ref.	Original Part No.	Substitute Part No.	Description
1	12-3750-0		Pipe, Half, 6-5/8", 90", Aluminum
2	12-3752-0		Pipe, Half, 6-5/8", 30", Aluminum

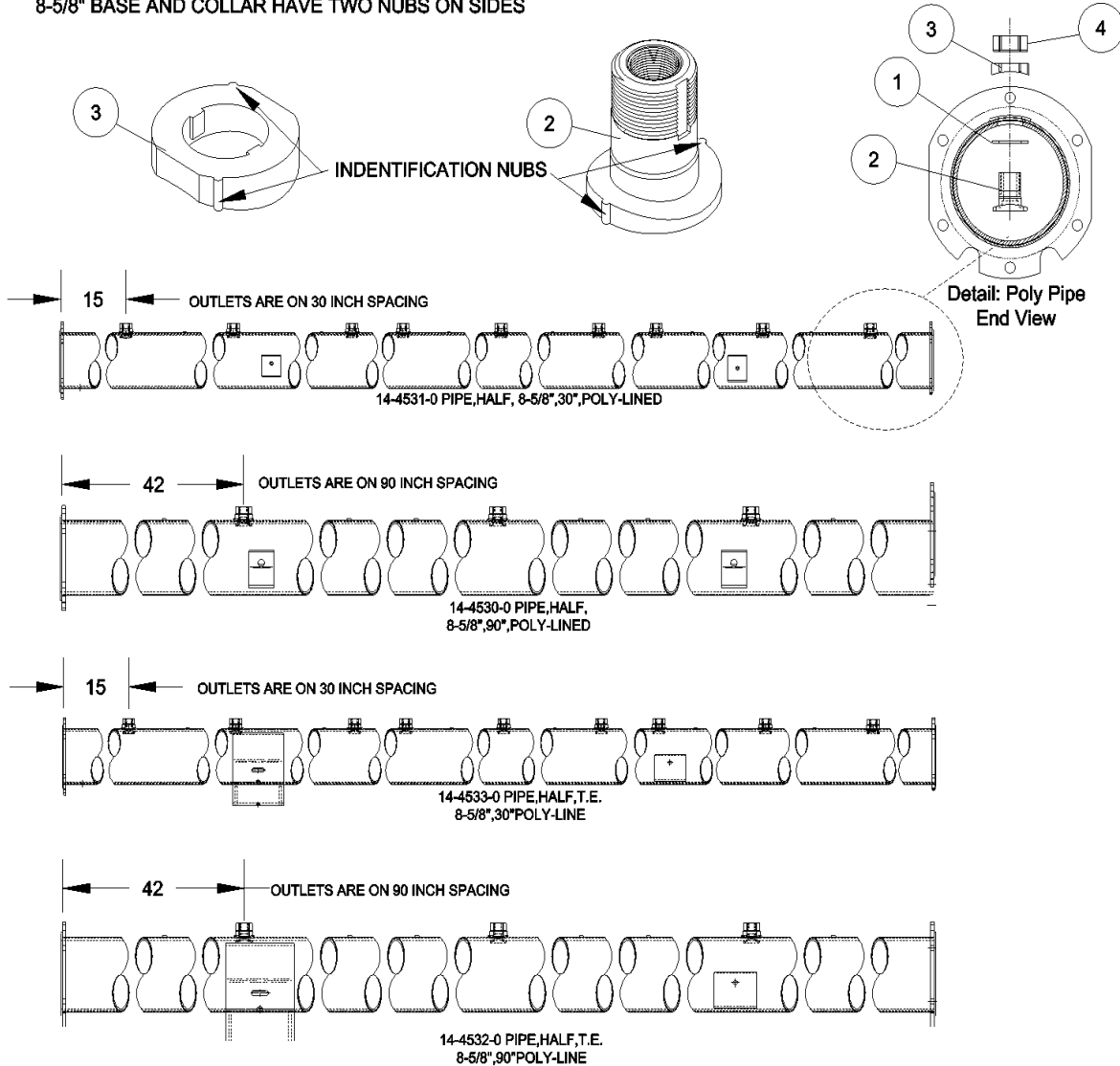


# Alternative Pipe

## Pipe, 8-5/8", Poly-Lined

NOTE:

8-5/8" BASE AND COLLAR HAVE TWO NUBS ON SIDES



Ref.	Original Part No.	Substitute Part No.	Description
1	13-4583-0		Gasket, Outlet Assembly
2	13-5520-0		Base, 1/2" Outlet Assembly, 8"
3	13-5519-0		Collar, Plastic Outlet, 8"
4	13-4586-0		Nut, Plastic Outlet
5	14-4530-0		Pipe, Half, 8-5/8", 90", PolyLined

Ref.	Original Part No.	Substitute Part No.	Description
6	14-4531-0		Pipe, Half, 8-8/5", 30", Poly-Lined
7	14-4532-0		Pipe, Half, T.E., 8-5/8", 90", Poly
8	14-4533-0		Pipe, Half, T.E., 8-5/8", 30", Poly
9			
10			



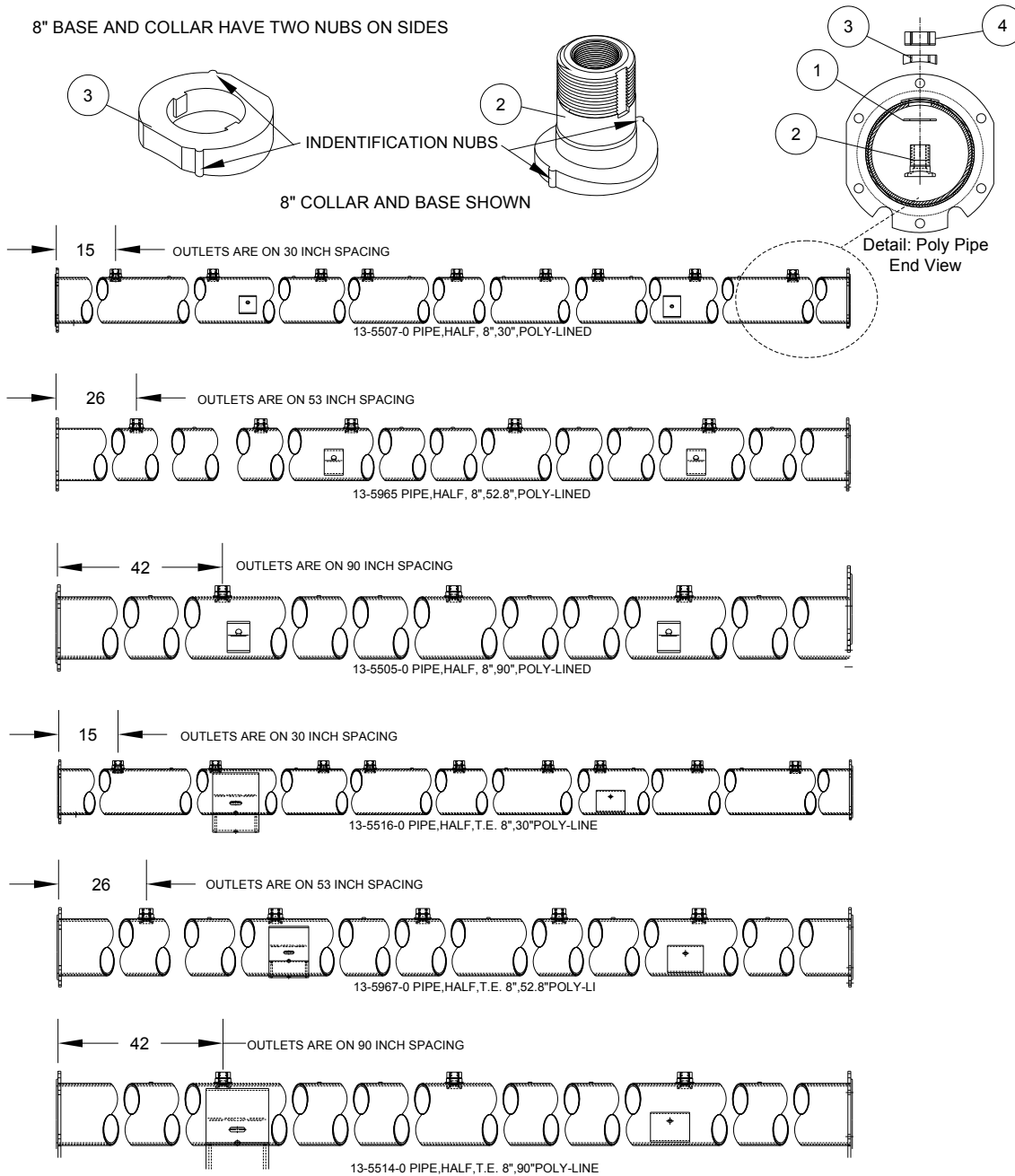
# Alternative Pipe

## Pipe, 8", Poly-Lined

NOTE:

6 5/8" BASE AND COLLAR HAVE NO NUBS ON SIDES

8" BASE AND COLLAR HAVE TWO NUBS ON SIDES



Ref.	Original Part No.	Substitute Part No.	Description
1	13-4583-0		Gasket, Outlet Assembly
2	13-5520-0		Base, 1/2" Outlet Assembly, 8"
3	13-5519-0		Collar, Plastic Outlet, 8"
4	13-4586-0		Nut, Plastic Outlet
5	13-5505-0		Pipe, Half, 8", 90", Poly-Lined

Ref.	Original Part No.	Substitute Part No.	Description
6	13-5507-0		Pipe, Half, 8", 30", Poly-Lined
7	13-5514-0		Pipe, Half, T.E., 8", 90", Poly-Lined
8	13-5516-0		Pipe, Half, T.E., 8", 30", Poly-Lined
9	13-5965-0		Pipe, Half, 8", 52.8", Poly-Lined
10	13-5967-0		Pipe, Half, TE, 8", 52.8", Poly-Lined



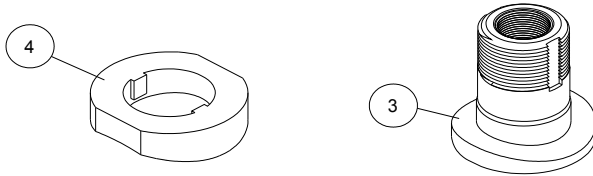
# Alternative Pipe

## Pipe, 6-5/8", Poly-Lined

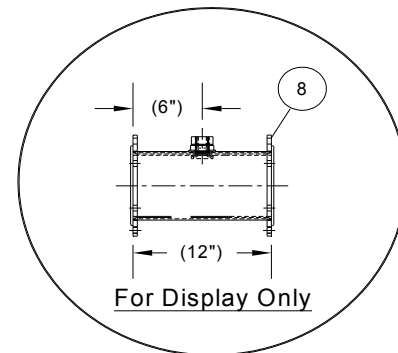
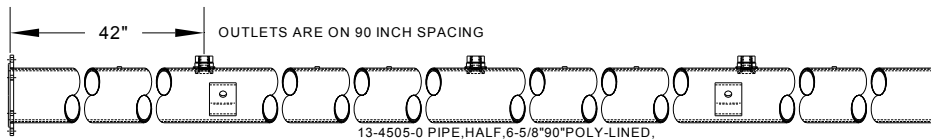
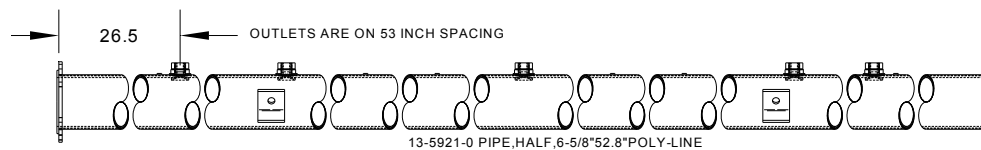
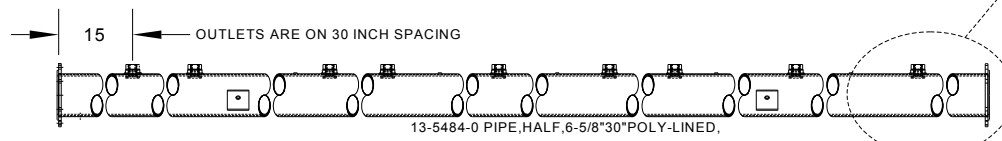
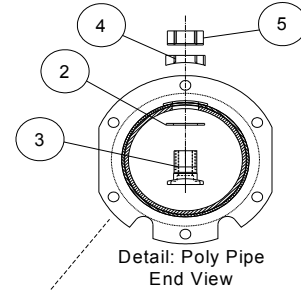
**NOTE:**

6 5/8" BASE AND COLLAR HAVE NO NUBS ON SIDES

8" BASE AND COLLAR HAVE TWO NUBS ON SIDES



6 5/8" COLLAR AND BASE SHOWN

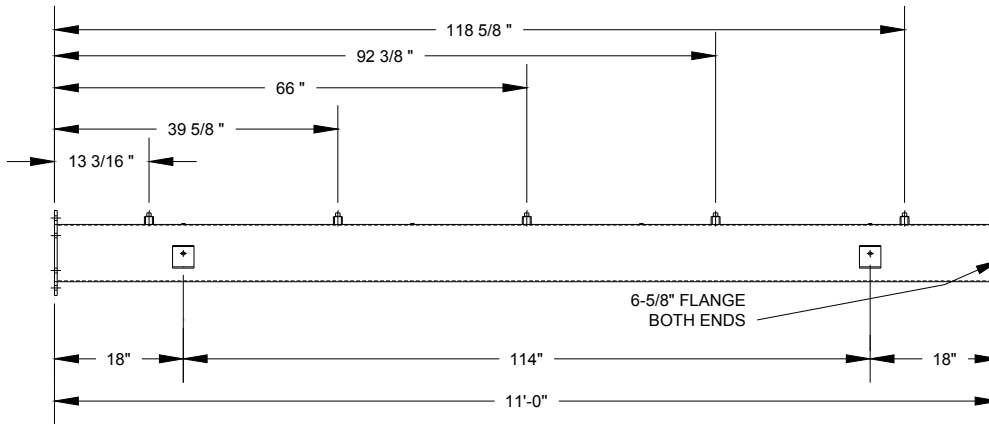


Ref.	Original Part No.	Substitute Part No.	Description
1	13-4505-0		Pipe, Half, 6-5/8", 90", Poly-Lined
2	13-4583-0		Gasket, Outlet Assembly
3	13-4584-0		Base, 1/2" Outlet Assembly
4	13-4585-0		Collar, Plastic Outlet
5	13-4586-0		Nut, Plastic Outlet
6	13-5484-0		Pipe, Half, 6-5/8", 30", Poly-Lined
7	13-5921-0		Pipe, Half, 6-5/8", 52.8", Poly-Lined
8	11-7324-4		Pipe, Display, Poly Lined

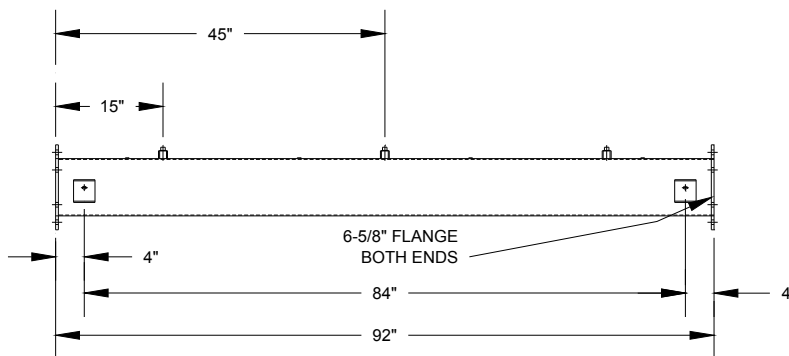


# Alternative Pipe

## Pipe, Extensions, Stainless Steel, 6-5/8" x 7' 8" and 11'



14-0438-0  
PIPE,WELD,EXT,6-5/8"x11'-0"S.S



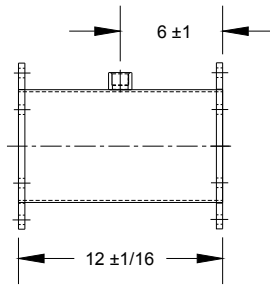
14-0435-0  
PIPE,WELD,EXT,6-5/8"x7'-8"S.S.

Ref.	Original Part No.	Substitute Part No.	Description
1	14-0435-0		Pipe, Extension, 6-5/8" x 7' 8", S.S.
2	14-0438-0		Pipe, Extension, 6-5/8" x 11', S.S.

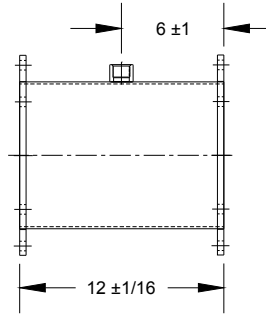


# Alternative Pipe

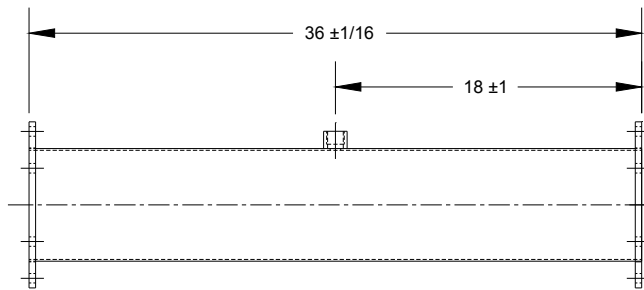
## Pipe Extensions, 1' and 3', Stainless Steel



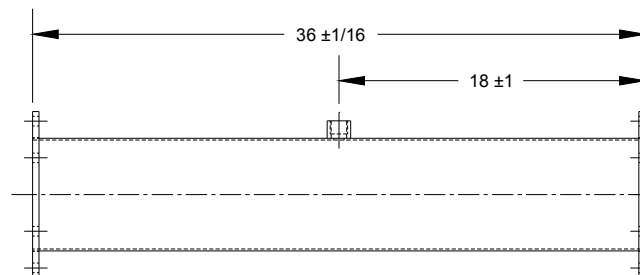
11-6738-6  
PIPE,WELD,EXT,6-5/8"X12",SS



14-0433-0  
PIPE,WELD,EXT,8"X 12", SS



12-5773-0  
PIPE WELD,6-5/8"X36"SPAN EX,SS



14-0430-0  
PIPE,WELD,EXT,8"X 36", SS

Ref.	Original Part No.	Substitute Part No.	Description
1	11-6738-6		Pipe, Extension, 6-5/8" x 12", S.S.
2	12-5773-0		Pipe, Extension, 6-5/8" x 36", S.S.
3	14-0430-0		Pipe, Extension, 8" x 36", S.S.
4	14-0433-0		Pipe, Extension, 8" x 12", S.S.

## Alternative Pipe



This page is left blank intentionally



## Table of Contents

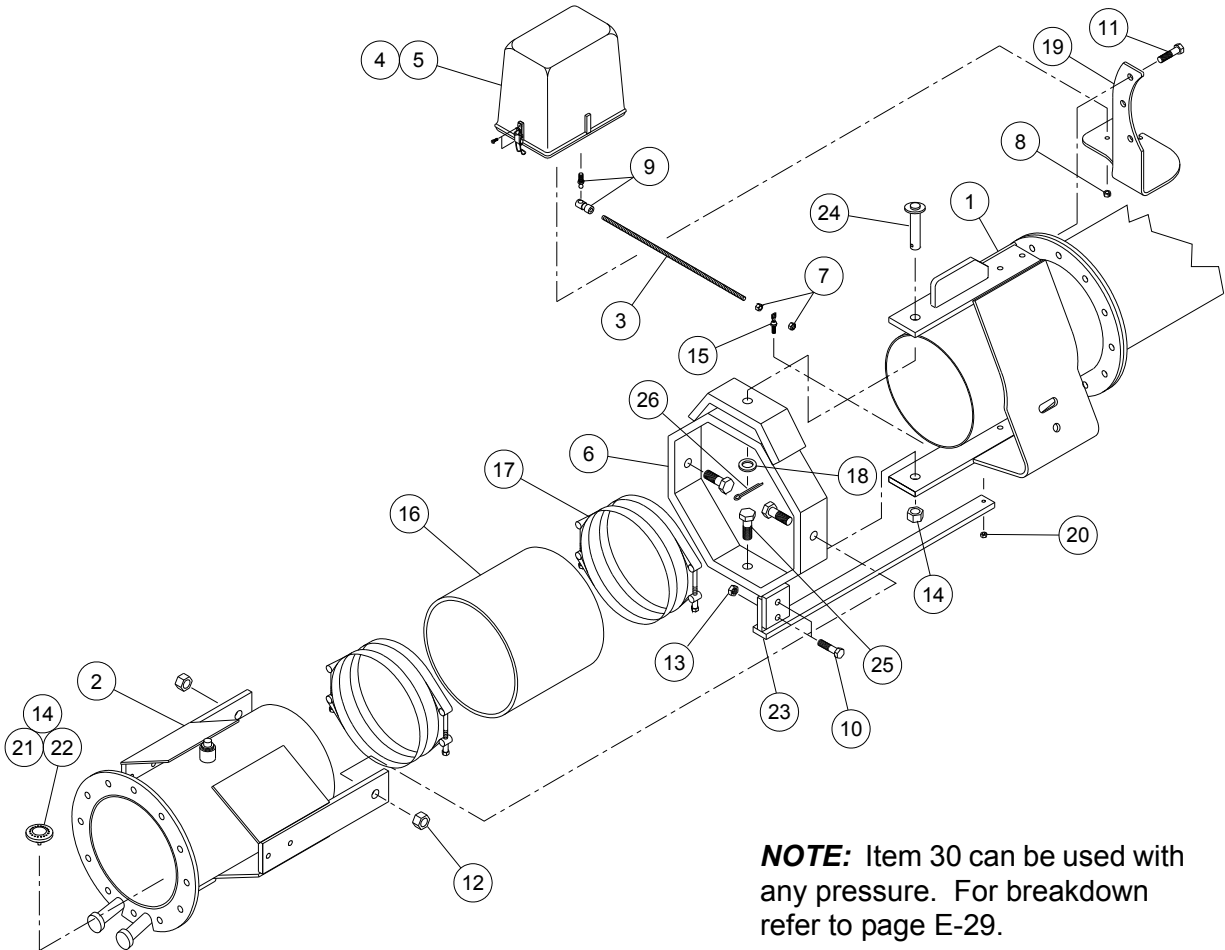
<b>Pivot Joints</b> .....	E-3
Joint Assembly, Solid, 10" .....	E-3
Joint Assembly, Solid, 8-5/8" Galvanized & Stainless Steel .....	E-4
Joint Assembly, Swivel, 8-5/8" .....	E-5
Joint Assembly, Solid, 8" .....	E-6
Joint Assembly, Swivel, 8" .....	E-7
Joint Assembly, Solid, 6-5/8" (Galvanize & Stainless Steel).....	E-8
Joint Assembly, Swivel, 6-5/8" .....	E-10
Joint Assembly, Solid, 6-5/8", 8500P .....	E-12
Joint Assembly, Swivel, 6-5/8", 8500P .....	E-13
Joint Assembly, Solid, 5-9/16" .....	E-14
Joint Assembly, Swivel, 5-9/16" .....	E-15
Joint Assembly, Reduction, Solid, 10" x 8-5/8" .....	E-16
Joint Assembly, Reduction, Solid, 10" x 8" .....	E-17
Joint Assembly, Reduction, 8-5/8" x 8", Solid (Galvanize & Stainless Steel).....	E-18
Joint Assembly, Reduction, 8-5/8" x 6-5/8", Solid (Galvanize & Stainless Steel) .....	E-19
Joint Assembly, Reduction, Solid, 8" x 6-5/8" (Galvanize & Stainless Steel) .....	E-20
Joint Assembly, Reduction, Swivel, 8-5/8" or 8" x 6-5/8", Beginning Serial #24912 .....	E-21
Joint Assembly, Reduction, Solid, 6-5/8" x 5-9/16", Beginning Serial #24912 .....	E-22
Joint Assembly, Reduction, Swivel, 6-5/8" x 5-9/16", Beginning Serial #24911 .....	E-23
Joint Assembly, Solid, 8", Stainless Steel .....	E-24
Wire Alignment.....	E-25
Standard System Alignment.....	E-26
Advanced System Alignment (Option) .....	E-27
Long System Alignment (Non-Wire).....	E-28
Optional Drain, 14-2643-0 .....	E-29
Stainless Steel Tower Control Components .....	E-29
Split Coupler, 5-9/16" .....	E-30
Coupler, Split, 6-5/8" .....	E-30
Coupler, Split, 8" .....	E-30

Coupler, Split, 8-5/8" .....	E-31
Joint, Pivot End, 6-5/8" w/2" Outlet, Volume Gun, Wastewater .....	E-31
Joint Assembly, FieldPLUS .....	E-32
Joint Assembly, FieldPLUS .....	E-33
FieldPLUS with End Gun Control.....	E-34
Installation, Overhang Sign Assembly, FieldPLUS.....	E-35



# E Pivot Joints

## Joint Assembly, Solid, 10"



**NOTE:** Item 30 can be used with any pressure. For breakdown refer to page E-29.

Ref.	Original Part No.	Substitute Part No.	Description
1	11-7849-0		Joint, Tower End, 10"
2	03-0962-5		Joint, Pivot End, Solid, 10" w/Outlet
3	03-1320-5		Rod, Linkage Control
4	03-7986-7		Panel, Tower Control, Std, 10 Wire
5	03-7987-5		Panel, Tower Control, N-L., 10 Wire
6	04-6814-0		Ring Weldment, Octagon, 8"
7	06-0240-9		Nut, 5/16-24, Hex
8	06-0262-3		Nut, 5/16-18, Lock, Nylon Insert
9	06-0470-2		Joint, Ball, Quick Disconnect
10	06-0803-4		Screw, 3/8-16 x 1-1/2", Hex, Gr. 5
11	06-0805-9		Screw, 1/2-13 x 2", Hex, Gr. 5
12	06-2417-1		Nut, 3/4-10, Lock
13	06-2420-5		Nut, 3/8-16, Lock
14	06-3509-4		Plug, Drain, 20-75PSI, Multi-Prs (Red)
15	06-4411-2		Joint, Adjuster, Ball Swivel
16	06-4698-4		Hose, 150 PSI, 10" I.D. x 9-3/4"

Ref.	Original Part No.	Substitute Part No.	Description
17	06-4699-2		Clamp, T-Bolt, 10"
18	10-2876-0		Washer, Flat, 3/4"
19	10-3963-5		Mount, Tower Panel, 10"
20	11-1244-0		Nut, 1/4-28, Lock, Nylon Insert
21	11-3324-8		Plug, Drain, 50-150PSI, High Prs (Wh)
22	11-3466-7		Plug, Drain, 5-30 PSI, Low Prs (Blk)
23	11-7705-4		Arm, Weldment, Alignment
24	11-7707-0		Pin, 3/4" Dia., Plated
25	11-7710-4		Screw, 3/4-10 x 2", Controlled
26	11-7712-0		Pin, Cotter, .125" x 1-3/4", Plated
27	03-2766-8		Kit, Tower Box Linkage Replacement (Includes Items 7, 9, 15 and 20)
28	10-1726-8		Kit, Control Rod (Items 7, 15 and 20)
29	13-3038-0		Kit, Control Rod and Linkage (Items 3, 7, 15 and 20)
30	14-2643-0		Drain Assembly, Pivot (Optional)

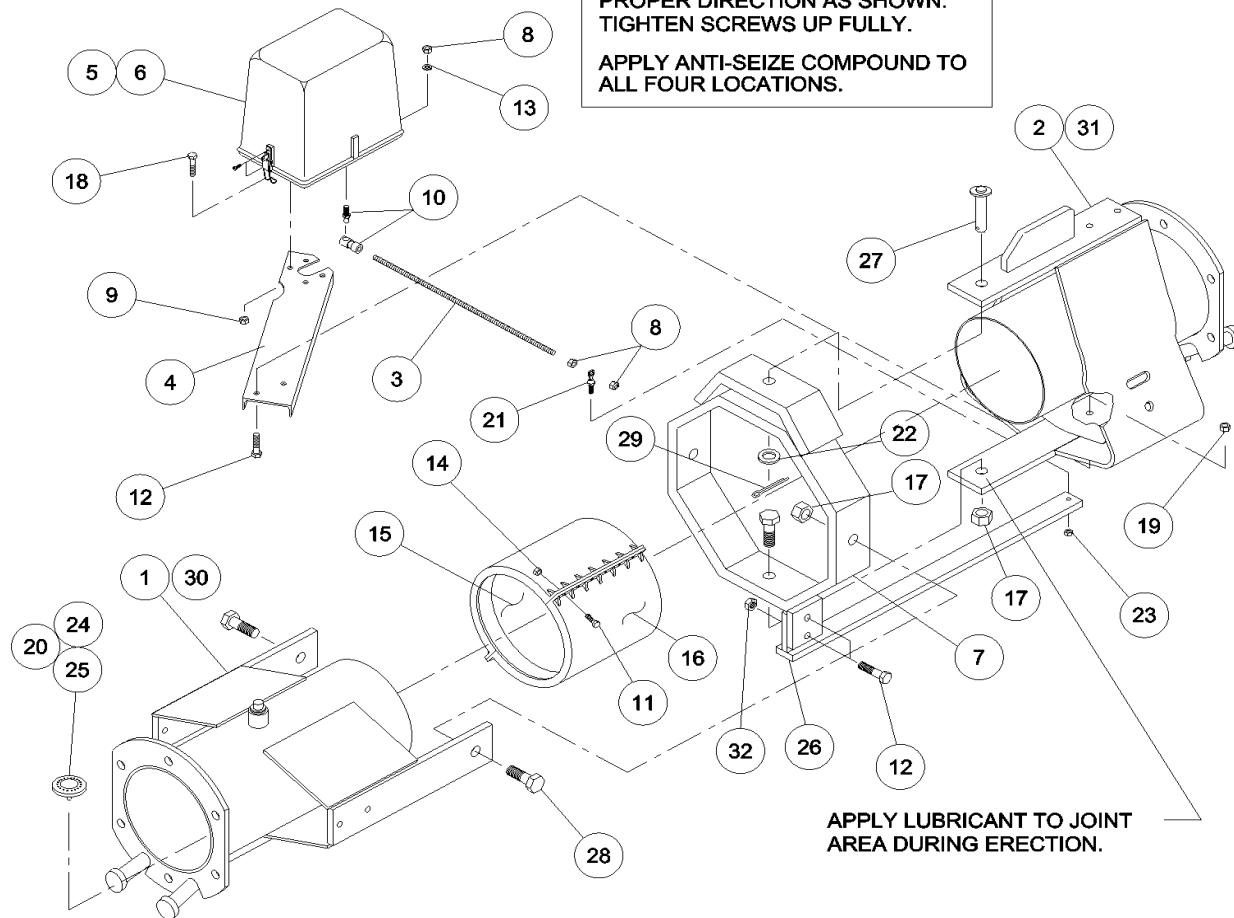


# Pivot Joints

## Joint Assembly, Solid, 8-5/8" Galvanized & Stainless Steel

NOTE: INSERT SCREWS IN RING IN PROPER DIRECTION AS SHOWN. TIGHTEN SCREWS UP FULLY.

APPLY ANTI-SEIZE COMPOUND TO ALL FOUR LOCATIONS.



APPLY LUBRICANT TO JOINT AREA DURING ERECTION.

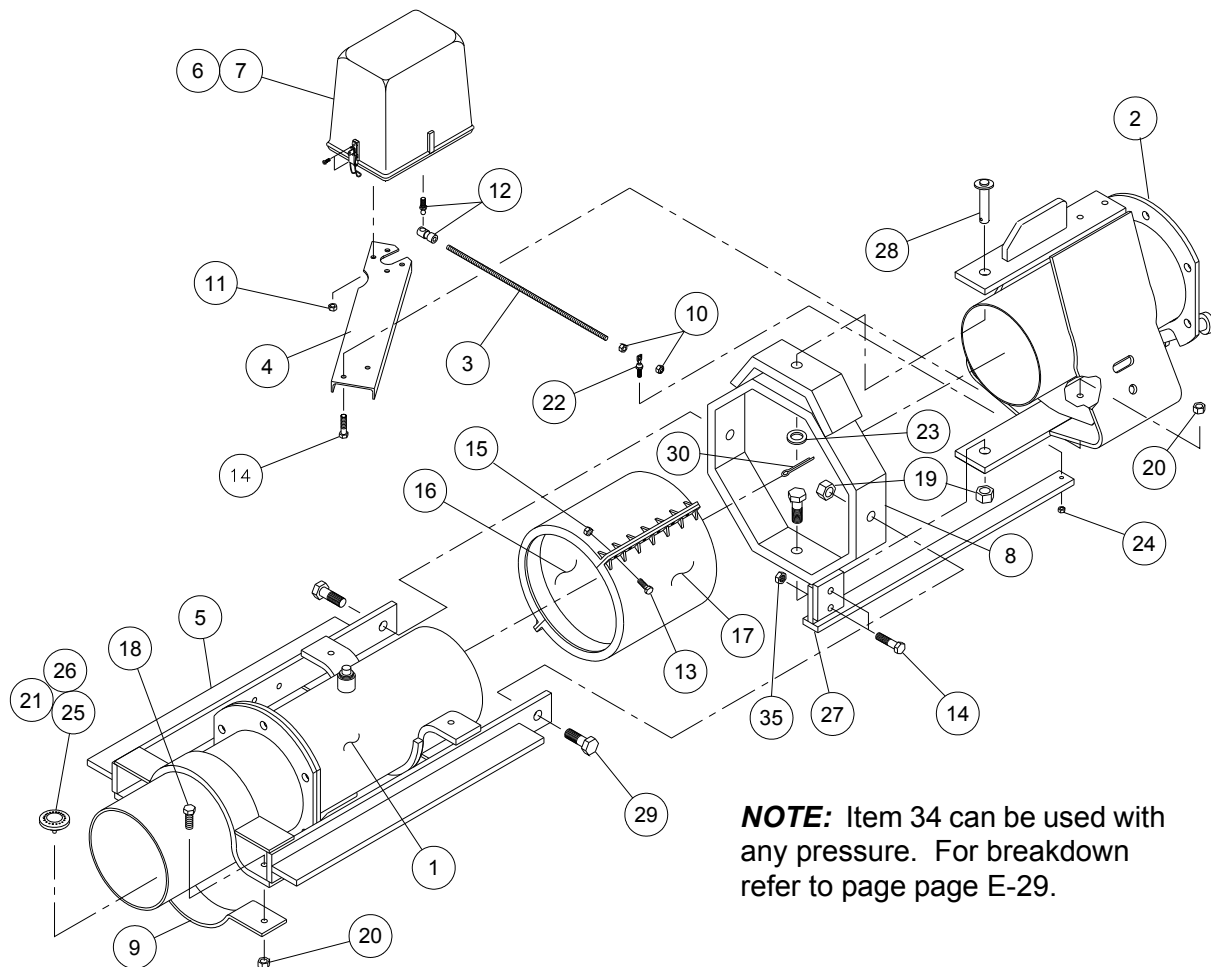
Ref.	Part No.	Description
1	14-3779-0	Joint, Pivot End, 8-5/8", w/Outlet
2	14-3770-0	Joint, Tower End, 8-5/8"
3	3-1320-5	Rod, Linkage Control
4	3-6760-7	Mount, Tower Panel
5	3-7986-7	Panel, Tower Control, Std, 10 Wire
6	3-7987-5	Panel, Tower Control, Next-Last, 10 Wire
7	4-6814-0	Ring, 8", Octagon
8	6-0240-9	Nut, 5/16-24, Hex
9	6-0262-3	Nut, 5/16-18, Lock, Nylon Insert
10	6-0470-2	Joint, Ball, Quick Disconnect
11	6-0802-6	Screw, 5/16-18 x 1", Hex
12	6-0803-4	Screw, 3/8-16 x 1-1/2", Hex, Gr. 5
13	6-0812-5	Washer, Lock, 5/16"
14	6-0822-4	Nut, 5/16-18, Hex
15	14-4313-0	Gasket, Boot, Zimmatic, 8-5/8"
16	14-4314-0	Coupler, Half, Zimmatic, Split, 8-5/8"
17	6-2417-1	Nut, 3/4-10, Lock
18	6-3146-5	Screw, 5/16-18 x 1-1/2", Hex, Gr. 5

Ref.	Part No.	Description
19	6-3419-6	Nut, 3/8-16, Flange, Toplock
20	6-3509-4	Plug, Drain, 20-75 PSI, Multi-Press.(Red)
21	6-4411-2	Joint, Adjuster, Ball Swivel
22	10-2876-0	Washer, Flat, 3/4"
23	11-1244-0	Nut, 1/4-28, Lock, Nylon Insert
24	11-3324-8	Plug, Drain, 50-150PSI, High-Press.(White)
25	11-3466-7	Plug, Drain, 5-30 PSI, Low-Press. (Black)
26	11-7705-4	Arm, Weldment, Alignment
27	11-7707-0	Pin, 3/4" Dia., Plated
28	11-7710-4	Screw, 3/4-10 x 2", Controlled
29	11-7712-0	Pin, Cotter, .125" x 1-3/4", Plated
30	14-4550-0	Joint, Pivot End, 8-5/8", S.S.
31	16-0041-4	Joint, Tower End, 8-5/8", S.S.
32	06-2420-5	Nut, 3/4-10, Lock
33	03-2766-8	Kit, Tower Box Linkage Replacement (Items 8, 11, 21, and 23)
34	13-3038-0	Kit, Control Rod & Linkage (Items 3, 8, 21 & 23)
35	10-1726-8	Kit, Control Rod (Items 8, 21 & 23)



# Pivot Joints

## Joint Assembly, Swivel, 8-5/8"



**NOTE:** Item 34 can be used with any pressure. For breakdown refer to page page E-29.

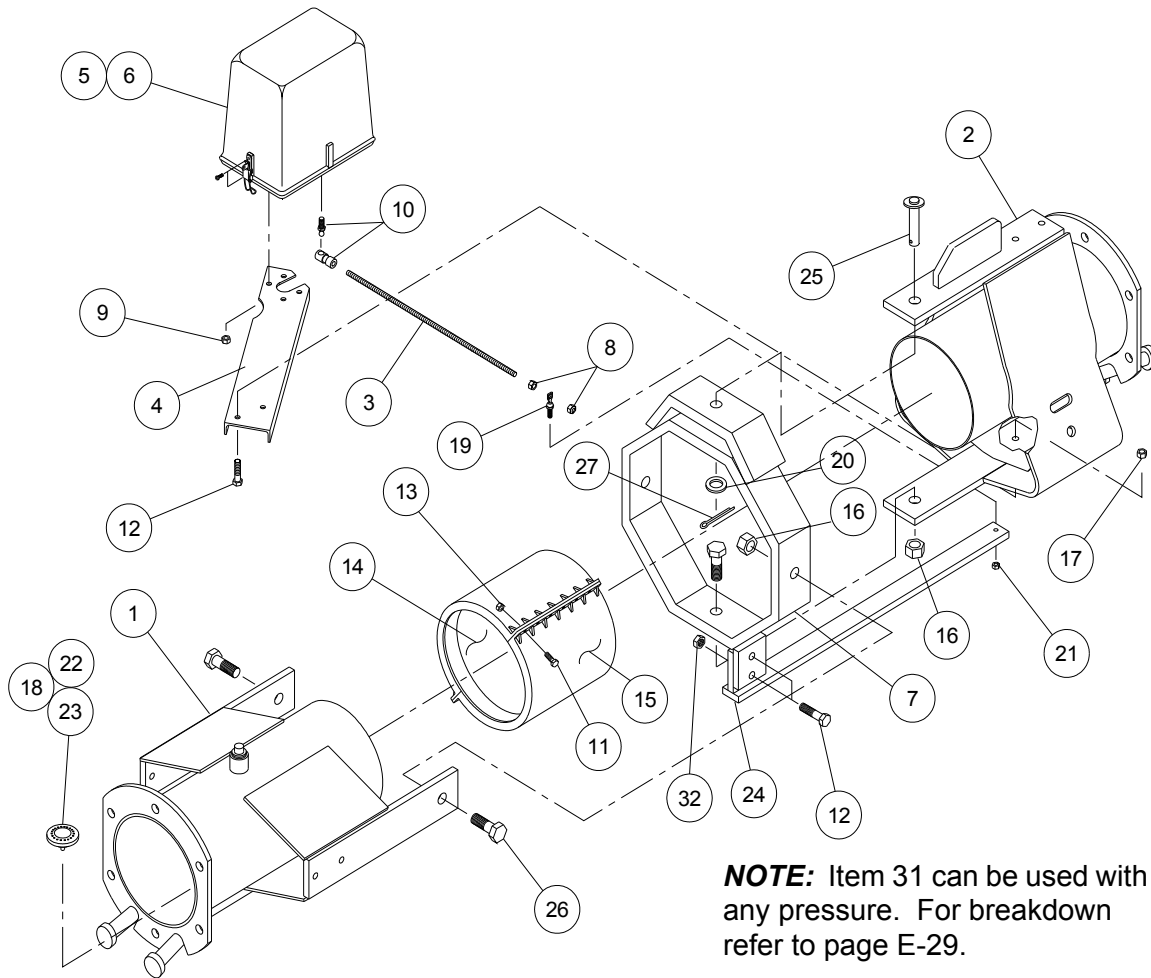
Ref.	Original Part No.	Substitute Part No.	Description
1	14-4318-0		Joint, Piv End, 8-5/8", Swiv, w/Outlet
2	14-3770-0		Joint, Tower End, 8-5/8"
3	03-1320-5		Rod, Linkage Control
4	03-6760-7		Mount, Tower Panel
5	14-4320-0		Coupler, 8-5/8", Swivel Mount
6	03-7986-7		Panel, Tower Control, Std, 10 Wire
7	03-7987-5		Panel, Tower Control, N. L., 10 Wire
8	04-6814-0		Ring, 8", Octagon
9	04-8109-3		Cap, Saddle
10	06-0240-9		Nut, 5/16-24, Hex
11	06-0262-3		Nut, 5/16-18, Lock, Nylon Insert
12	06-0470-2		Joint, Ball, Quick Disconnect
13	06-0802-6		Screw, 5/16-18 x 1", Hex
14	06-0803-4		Screw, 3/8"-16 x 1-1/2", Hex, Gr. 5
15	06-0822-4		Nut, 5/16-18, Hex
16	14-4313-0		Gasket, Boot, Zimmatic, 8-5/8"
17	14-4314-0		Coupler, Half, Zimm, Split, 8-5/8"
18	06-2221-7		Screw, 3/8-16 x 1", Hex, Gr. 5

Ref.	Original Part No.	Substitute Part No.	Description
19	06-2417-1		Nut, 3/4-10, Lock
20	06-3419-6		Nut, 3/8-16, Flange, Toplock
21	06-3509-4		Plug, Drain, 20-75 PSI, Multi-Prs. (Red)
22	06-4411-2		Joint, Adjuster, Ball, Swivel
23	10-2876-0		Washer, Flat, 3/4"
24	11-1244-0		Nut, 1/4-28, Lock, Nylon Insert
25	11-3324-8		Plug, Drain, 50-150 PSI, High-Prs (Wh)
26	11-3466-7		Plug, Drain, 5-30 PSI, Low-Prs. (Blk)
27	11-7705-4		Arm, Weldment, Alignment
28	11-7707-0		Pin, 3/4" Dia., Plated
29	11-7710-4		Screw, 3/4-10 x 2", Controlled
30	11-7712-0		Pin, Cotter, .125" x 1-3/4", Plated
31	03-2766-8		Kit, Tower Box Linkage Replacement (Includes Items 10, 12, 22 and 24)
32	10-1726-8		Kit, Control Rod (Items 10, 22 and 24)
33	13-3038-0		Kit, Control Rod and Linkage (Items 3, 10, 22 and 24)
34	14-2643-0		Drain Assembly, Pivot (Optional)
35	06-2420-5		Nut, 3/8-16, Lock



# Pivot Joints

## Joint Assembly, Solid, 8"



**NOTE:** Item 31 can be used with any pressure. For breakdown refer to page E-29.

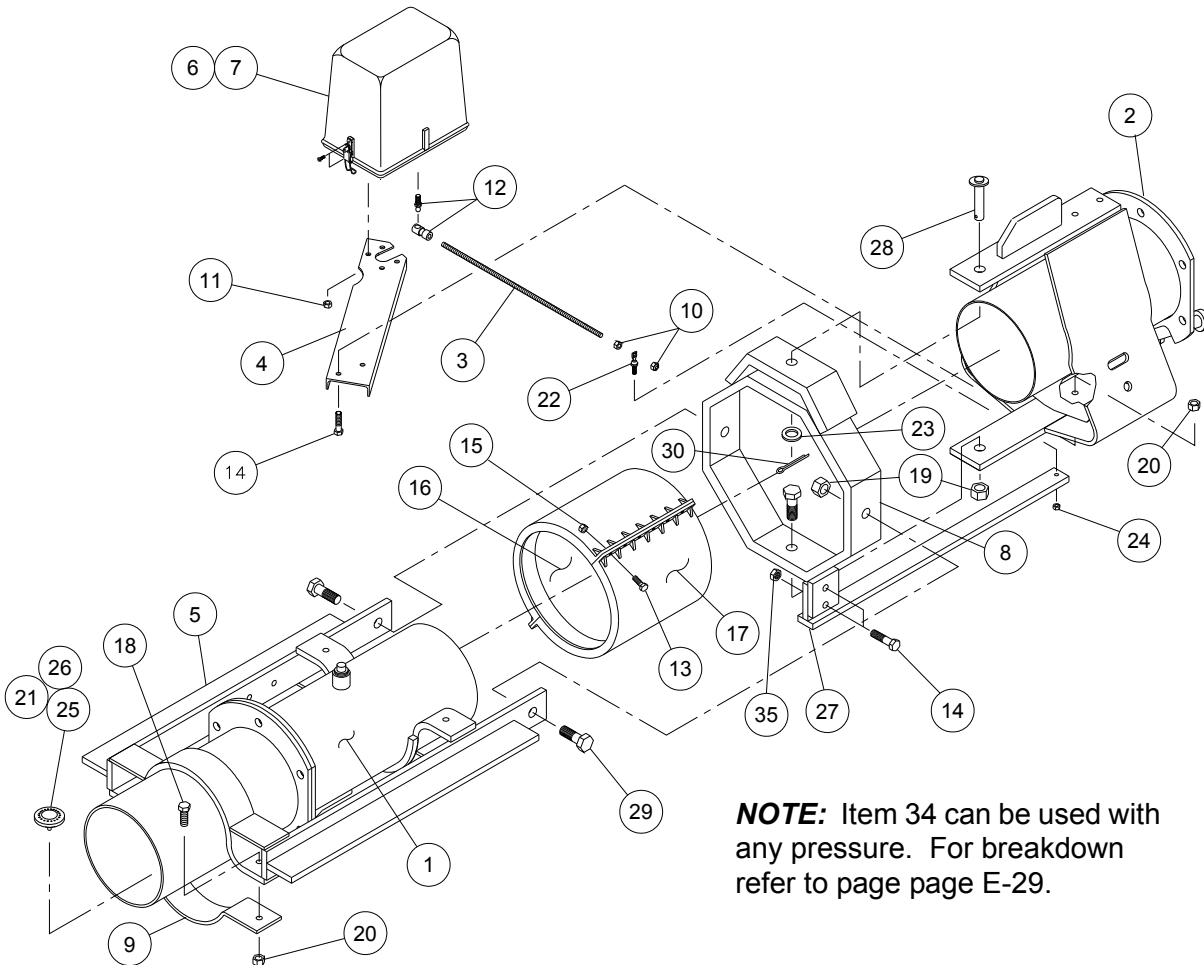
Ref.	Original Part No.	Substitute Part No.	Description
1	03-0680-3		Joint, Pivot End, 8", w/Outlet
2	11-7850-8		Joint, Tower End, 8"
3	03-1320-5		Rod, Linkage Control
4	03-6760-7		Mount, Tower Panel
5	03-7986-7		Panel, Tower Control, Std, 10 Wire
6	03-7987-5		Panel, Tower Control, N.L., 10 Wire
7	04-6814-0		Ring, 8", Octagon
8	06-0240-9		Nut, 5/16-24, Hex
9	06-0262-3		Nut, 5/16-18, Lock, Nylon Insert
10	06-0470-2		Joint, Ball, Quick Disconnect
11	06-0802-6		Screw, 5/16-18 x 1", Hex
12	06-0803-4		Screw, 3/8-16 x 1-1/2", Hex, Gr. 5
13	06-0822-4		Nut, 5/16-18, Hex
14	06-2087-2		Gasket, Boot, Zimmatic, 8"
15	06-2100-3		Coupler, Half, Zimmatic, Split, 8"
16	06-2417-1		Nut, 3/4-10, Lock
17	06-3419-6		Nut, 3/8-16, Flange, Toplock

Ref.	Original Part No.	Substitute Part No.	Description
18	06-3509-4		Plug, Drain, 20-75PSI, Multi-Prs. (Red)
19	06-4411-2		Joint, Adjuster, Ball Swivel
20	10-2876-0		Washer, Flat, 3/4"
21	11-1244-0		Nut, 1/4-28, Lock, Nylon Insert
22	11-3324-8		Plug, Drain, 50-150PSI, High-Prs (Wh)
23	11-3466-7		Plug, Drain, 5-30 PSI, Low-Prs. (Blk)
24	11-7705-4		Arm, Weldment, Alignment
25	11-7707-0		Pin, 3/4" Dia., Plated
26	11-7710-4		Screw, 3/4-10 x 2", Controlled
27	11-7712-0		Pin, Cotter, .125" x 1-3/4", Plated
28	03-2766-8		Kit, Tower Box Linkage Replacement (Includes Items 8, 10, 19 and 21)
29	10-1726-8		Kit, Control Rod (Items 8, 19 and 21)
30	13-3038-0		Kit, Control Rod and Linkage (Items 3, 8, 19 and 21)
31	14-2643-0		Drain Assembly, Pivot (Optional)
32	06-2420-5		Nut, 3/8-16, Lock



# Pivot Joints

## Joint Assembly, Swivel, 8"



**NOTE:** Item 34 can be used with any pressure. For breakdown refer to page E-29.

Ref.	Original Part No.	Substitute Part No.	Description
1	03-0682-9		Joint, Pivot End, 8", Swivel, w/Outlet
2	11-7850-8		Joint, Tower End, 8"
3	03-1320-5		Rod, Linkage Control
4	03-6760-7		Mount, Tower Panel
5	03-6811-8		Coupler, 8", Swivel Mount
6	03-7986-7		Panel, Tower Control, Std, 10 Wire
7	03-7987-5		Panel, Tower Control, N. L., 10 Wire
8	04-6814-0		Ring, 8", Octagon
9	04-8109-3		Cap, Saddle
10	06-0240-9		Nut, 5/16-24, Hex
11	06-0262-3		Nut, 5/16-18, Lock, Nylon Insert
12	06-0470-2		Joint, Ball, Quick Disconnect
13	06-0802-6		Screw, 5/16-18 x 1", Hex
14	06-0803-4		Screw, 3/8"-16 x 1-1/2", Hex, Gr. 5
15	06-0822-4		Nut, 5/16-18, Hex
16	06-2087-2		Gasket, Boot, Zimmatic, 8"
17	06-2100-3		Coupler, Half, Zimmatic, Split, 8"
18	06-2221-7		Screw, 3/8-16 x 1", Hex, Gr. 5

Ref.	Original Part No.	Substitute Part No.	Description
19	06-2417-1		Nut, 3/4-10, Lock
20	06-3419-6		Nut, 3/8-16, Flange, Toplock
21	06-3509-4		Plug, Drain, 20-75 PSI, Multi-Prs. (Red)
22	06-4411-2		Joint, Adjuster, Ball, Swivel
23	10-2876-0		Washer, Flat, 3/4"
24	11-1244-0		Nut, 1/4-28, Lock, Nylon Insert
25	11-3324-8		Plug, Drain, 50-150 PSI, High-Prs (Wh)
26	11-3466-7		Plug, Drain, 5-30 PSI, Low-Prs. (Blk)
27	11-7705-4		Arm, Weldment, Alignment
28	11-7707-0		Pin, 3/4" Dia., Plated
29	11-7710-4		Screw, 3/4-10 x 2", Controlled
30	11-7712-0		Pin, Cotter, .125" x 1-3/4", Plated
31	03-2766-8		Kit, Tower Box Linkage Replacement (Includes Items 10, 12, 22 and 24)
32	10-1726-8		Kit, Control Rod (Items 10, 22 and 24)
33	13-3038-0		Kit, Control Rod and Linkage (Items 3, 10, 22 and 24)
34	14-2643-0		Drain Assembly, Pivot (Optional)
35	06-2420-5		Nut, 3/8-16, Lock

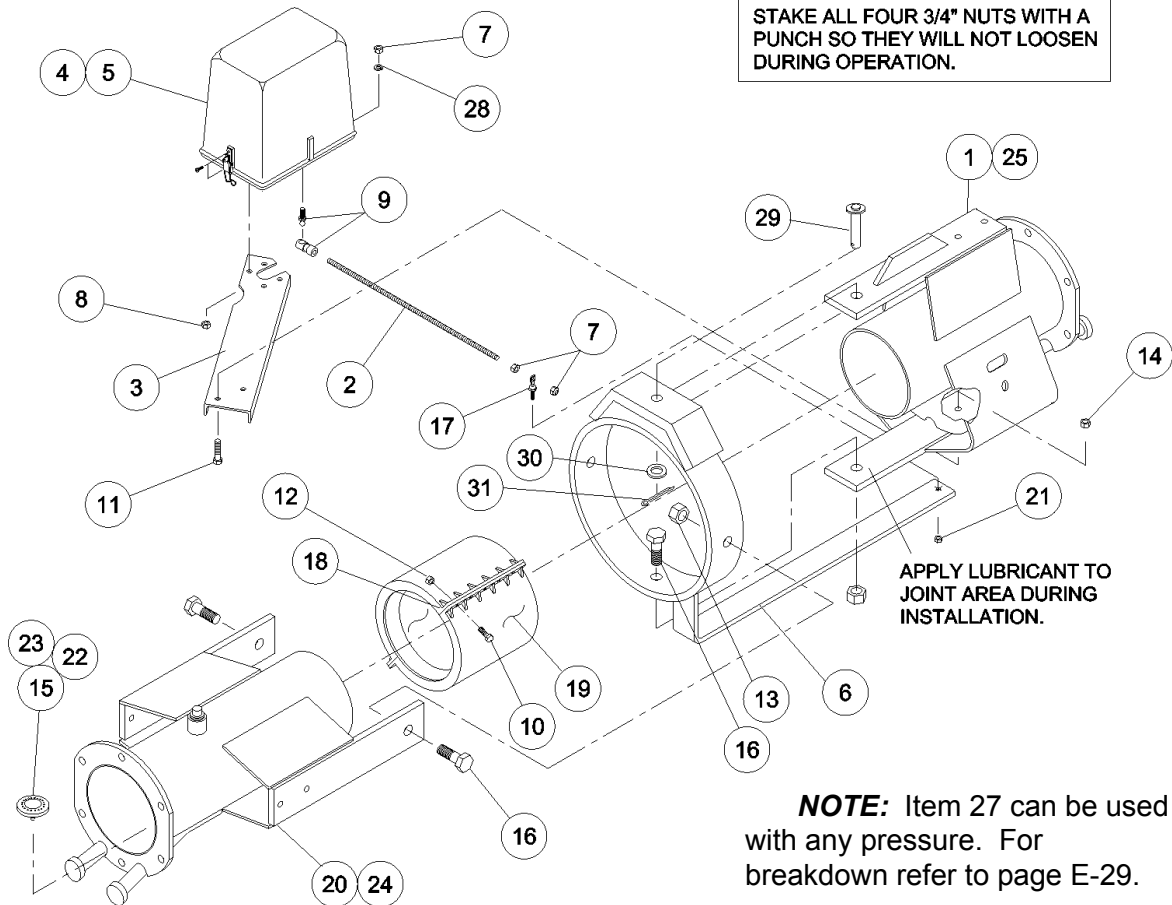


# Pivot Joints

## Joint Assembly, Solid, 6-5/8" (Galvanize & Stainless Steel)

NOTE: INSERT SCREWS IN RING IN PROPER DIRECTION AS SHOWN. TIGHTEN SCREWS UP FULLY, THEN BACK OFF NUTS 1/4 TURN.

STAKE ALL FOUR 3/4" NUTS WITH A PUNCH SO THEY WILL NOT LOOSEN DURING OPERATION.



**NOTE:** Item 27 can be used with any pressure. For breakdown refer to page E-29.

Ref.	Original Part No.	Substitute Part No.	Description
1	03-0692-8		Joint, Tower End, 6-5/8", w/Anchor
2	03-1320-5		Rod, Linkage Con. 5/16-24x16"
3	03-6760-7		Mount, Tower Panel
4	03-7986-7		Panel, Tower Ctrl, Std, Adv. Align
5	03-7987-5		Panel, Tower Ctrl, N-L, Adv. Align
6	1608761		Ring, 6-5/8" Alignment
7	06-0240-9		Nut, 5/16-24, Hex
8	06-0262-3		Nut, 5/16-18, Lock, Nylon Insert
9	06-0470-2		Joint, Ball, Quick Disconnect
10	06-0802-6		Screw, 5/16-18 x 1", Hex
11	06-0803-4		Screw, 3/8-16 x 1-1/2", Hex, Gr. 5
12	06-0822-4		Nut, 5/16-18, Hex
13	06-2417-1		Nut, 3/4-10, Lock
14	06-3419-6		Nut, 3/8-16, Flange, Top Lock
15	06-3509-4		Plug, Drain, 20-75 PSI, Multi-Prs, Red

Ref.	Original Part No.	Substitute Part No.	Description
16	12-9175-0		Screw, 3/4-10 x 2", w/1.156 SHD PLT
17	06-4411-2		Joint, Adjuster, Ball Swivel
18	06-4490-6		Gasket, Boot, 6-5/8"
19	06-4491-4		Coupler, Half, Zimmatic, 6-5/8"
20	11-0062-7		Joint, Pivot End, 6-5/8", w/Outlet
21	11-1244-0		Nut, 1/4-28, Lock, Nylon Insert
22	11-3324-8		Plug, Drain, 50-150 PSI, Hi-Prs. (Wh)
23	11-3466-7		Plug, Drain, 5-30 PSI, Low-Prs (Blk)
24	11-6098-5		Joint, Pivot End, 6-5/8, w/Anchor SS
25	11-6099-3		Joint, Tower End, 6-5/8, w/Anc, SS
26	13-3038-0		Kit, Control Rod and Linkage (Items 2, 7, 17 and 21)
27	14-2643-0		Drain Assembly, Pivot (Optional)
28	06-0812-5		Washer, Lock, 5/16"
29	1177070		Pin, 3/4" Dia. Plated
30	1028760		Washer, 3/4", Flat
31	1177120		Pin, Cotter, .125 x 1-3/4"

## Pivot Joints



This page is left blank intentionally

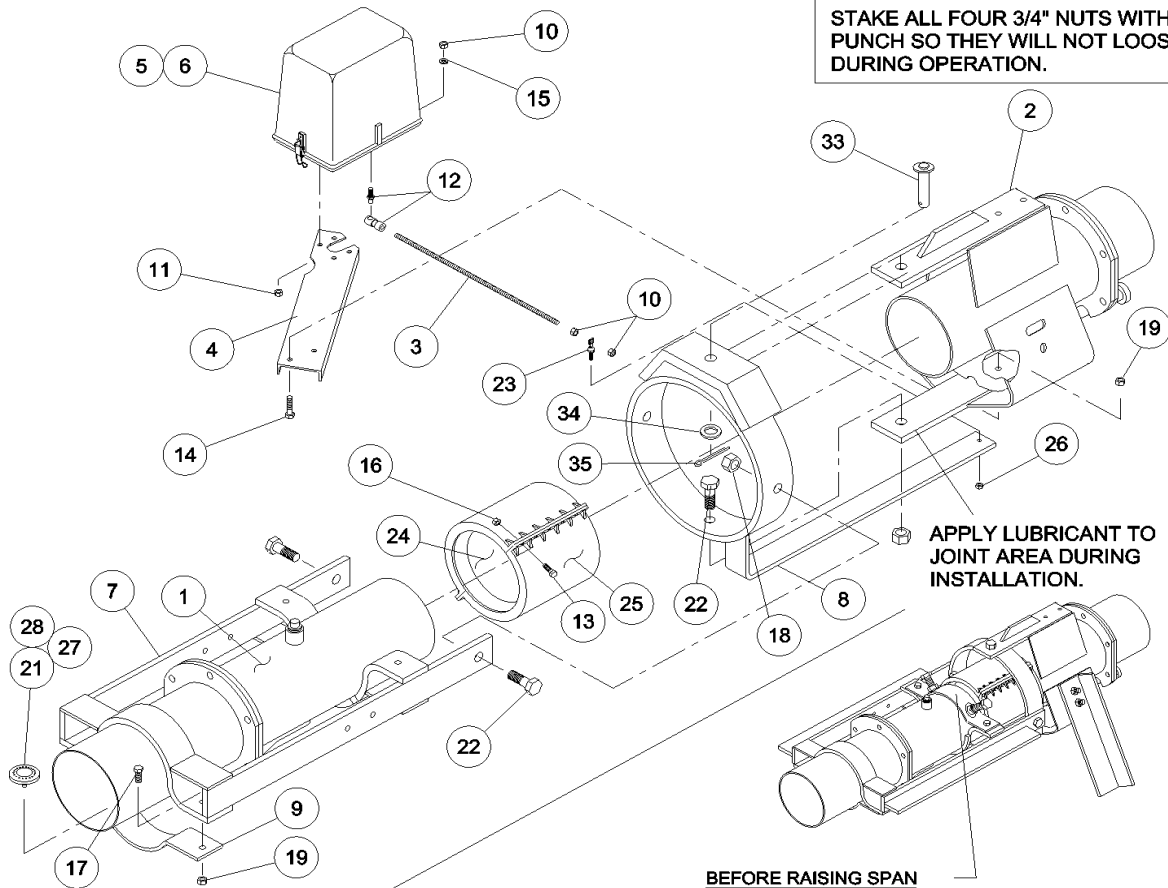


# Pivot Joints

## Joint Assembly, Swivel, 6-5/8"

NOTE: INSERT SCREWS IN RING IN PROPER DIRECTION AS SHOWN. TIGHTEN SCREWS UP FULLY, THEN BACK OFF NUTS 1/4 TURN.

STAKE ALL FOUR 3/4" NUTS WITH A PUNCH SO THEY WILL NOT LOOSEN DURING OPERATION.



APPLY LUBRICANT TO JOINT AREA DURING INSTALLATION.

BEFORE RAISING SPAN

AFTER RAISING SPAN

BEFORE RAISING THE SYSTEM, BOLT THE SADDLE CAP TO THE SWIVEL MOUNT COUPLER ON THE TOP OF THE PIPE. TIGHTEN THE 1/2" SCREWS TO PREVENT THE PIPE FROM ROTATING.

AFTER THE SYSTEM IS INSTALLED, REMOVE THE SADDLE CAP AND BOLT TO THE SWIVEL MOUNT COUPLER ON THE BOTTOM SIDE OF THE PIPE. REMOVE THE 1/2" SCREWS.



# Pivot Joints

## Joint Assembly, Swivel, 6-5/8", continued

Ref.	Part No.	Substitute Part No.	Description
1	03-0690-2		Joint, Pivot End, 6-5/8", Swivel, w/Outlet
2	03-0692-8		Joint, Tower End, 6-5/8", w/Anchor
3	03-1320-5		Rod, Linkage Control 5/16-24x16"
4	03-6760-7		Mount, Tower Panel
5	03-7986-7		Panel, Tower Control, Std, Adv. Align
6	03-7987-5		Panel, Tower Ctrl, Next-Last, Adv. Align
7	4-0691-8		Coupler, 6-5/8", Swivel Mounts
8	1608761		Ring, 6-5/8" Alignment
9	4-8108-5		Cap, Saddle, 6-5/8"
10	6-0240-9		Nut, 5/16-24, Hex
11	6-0262-3		Nut, 5/16-18, Lock, Nylon Insert
12	6-0470-2		Joint, Ball, Quick Disconnect
13	6-0802-6		Screw, 5/16-18 x 1", Hex
14	6-0803-4		Screw, 3/8-16 x 1-1/2", Hex, Gr. 5
15	6-0812-5		Washer, Lock, 5/16"
16	6-0822-4		Nut, 5/16-18, Hex
17	6-2221-7		Screw, 3/8-16 x 1", Hex, Gr. 5
18	6-2417-1		Nut, 3/4-10, Lock
19	6-3419-6		Nut, 3/8-16, Flange, Toplock
20	6-3146-5		Screw, 5/16-10 x 1-1/2", Hex, Gr. 5
21	6-3509-4		Plug, Drain, 20-75 PSI, Multi-Press. (Red)
22	12-9175-0		Screw, 3/4-10 x 2", w/1.156 SHD, PLT
23	6-4411-2		Joint, Adjuster, Ball, Swivel
24	6-4490-6		Gasket, Boot, 6-5/8" x 7.12" Long
25	6-4491-4		Coupler, Half, Zimmatic, 6-5/8" x 7-1/2"
26	11-1244-0		Nut, 1/4-28, Lock, Nylon Insert
27	11-3324-8		Plug, Drain, 50-150 PSI, High-Press. (White)
28	11-3466-7		Plug, Drain, 5-30 PSI, Low-Press. (Black)
29	03-2766-8		Kit, Tower Box linkage, Replacement
30	10-1726-8		Kit, Control Rod
31	13-3038-0		Kit, Control Rod and Linkage
32	14-2643-0		Drain Assy, Pivot
33	1177070		Pin, 3/4" Dia. Plated
34	1028760		Washer, 3/4", Flat
35	1177120		Pin, Cotter, .125 x 1-3/4"

**NOTICE:** Items 4 and 5, Panel, Tower Control, Std, 10 Wire, CE part number is 14-9411-0. Panel, Tower Control, Next-Last, 10 Wire, CE part number is 14-9412-0.

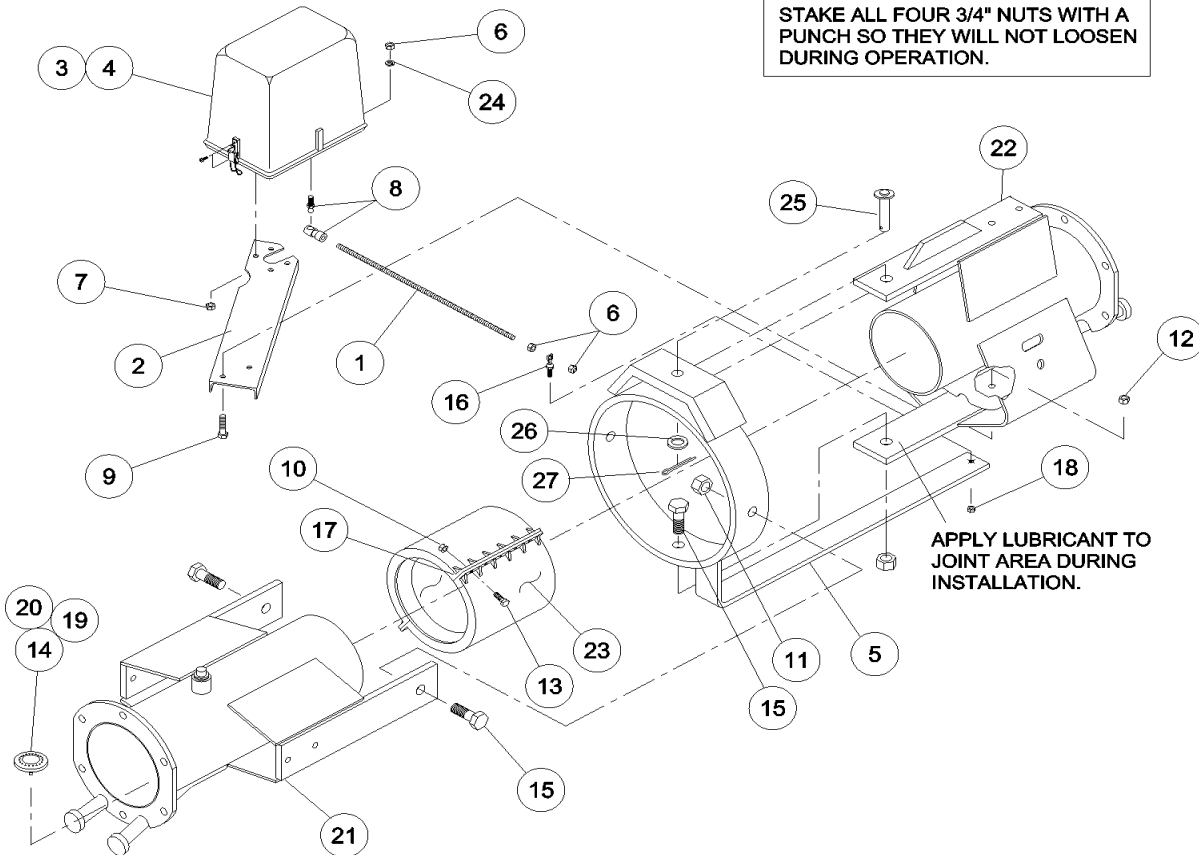


# Pivot Joints

## Joint Assembly, Solid, 6-5/8", 8500P

NOTE: INSERT SCREWS IN RING IN PROPER DIRECTION AS SHOWN. TIGHTEN SCREWS UP FULLY, THEN BACK OFF NUTS 1/4 TURN.

STAKE ALL FOUR 3/4" NUTS WITH A PUNCH SO THEY WILL NOT LOOSEN DURING OPERATION.



APPLY LUBRICANT TO JOINT AREA DURING INSTALLATION.

Ref.	Part No.	Description
1	03-1320-5	Rod, Linkage Control 5/16-24x16"
2	3-6760-7	Mount, Tower Panel
3	03-7986-7	Panel, Tower Control, Std. Adv. Align
4	03-7987-5	Panel, Tower Ctrl, Next-Last, Adv. Align
5	1608761	Ring, 6-5/8" Alignment
6	6-0240-9	Nut, 5/16-24, Hex
7	6-0262-3	Nut, 5/16-18, Lock, Nylon Insert
8	6-0470-2	Joint, Ball, Quick Disconnect
9	6-0803-4	Screw, 3/8-16 x 1-1/2", Hex, Gr. 5
10	6-0822-4	Nut, 5/16-18, Hex
11	6-2417-1	Nut, 3/4-10, Lock
12	6-3419-6	Nut, 3/8-16, Flange, Top Lock

Ref.	Part No.	Description
13	6-3146-5	Screw, 5/16-18 x 1-1/2", Hex, Gr. 5
14	6-3509-4	Plug, Drain, 20-75 PSI, Multi-Press.(Red)
15	12-9175-0	Screw, 3/4-10 x 2", w/1.156 SHD, PLT
16	6-4411-2	Joint, Adjuster, Ball Swivel
17	6-4490-6	Gasket, Boot, 6-5/8"
18	11-1244-0	Nut, 1/4-28, Lock, Nylon Insert
19	11-3324-8	Plug, Drain, 50-150 PSI, High-Press.(White)
20	11-3466-7	Plug, Drain, 5-30 PSI, Low-Press. (Black)
21	13-3061-0	Joint, Pivot End, 6-5/8", 8500P
22	13-3062-0	Joint, Tower End, 6-5/8", 8500P
23	14-1225-0	Coupler, Half, Composite, 8500P
24	06-0812-5	Washer, Lock, 5/16"
25	1177070	Pin, 3/4" Dia., Plated
26	1028760	Washer, Flat, 3/4"
27	1177120	Pin, Cotter, .125 x 1-3/4

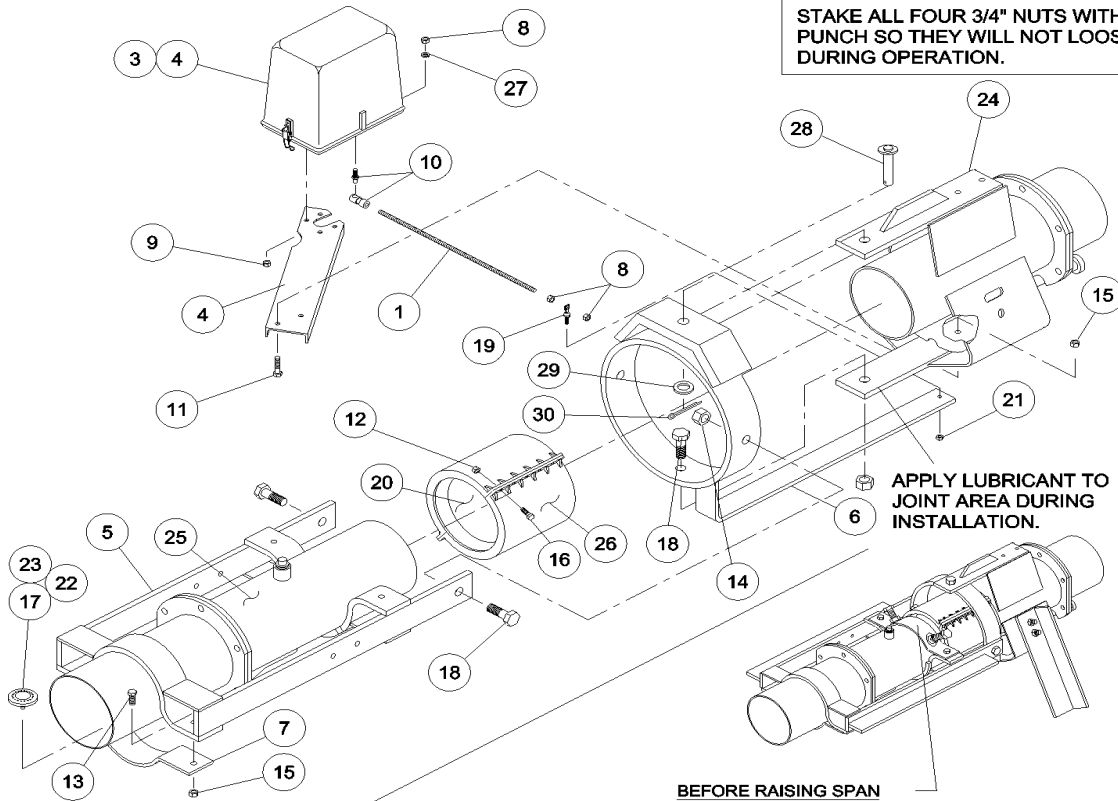
NOTE: Items 3 and 4, Panel, Tower Control, Std. 10 Wire, CE part number is 14-9411-0. Panel, Tower Control, Next-Last, 10 Wire, CE part number is 14-9412-0.



# Pivot Joints

## Joint Assembly, Swivel, 6-5/8", 8500P

NOTE: INSERT SCREWS IN RING IN PROPER DIRECTION AS SHOWN. TIGHTEN SCREWS UP FULLY, THEN BACK OFF NUTS 1/4 TURN.  
STAKE ALL FOUR 3/4" NUTS WITH A PUNCH SO THEY WILL NOT LOOSEN DURING OPERATION.



AFTER RAISING SPAN

BEFORE RAISING THE SYSTEM, BOLT THE SADDLE CAP TO THE SWIVEL MOUNT COUPLER ON THE TOP OF THE PIPE. TIGHTEN THE 1/2" SCREWS TO PREVENT THE PIPE FROM ROTATING.

AFTER THE SYSTEM IS INSTALLED, REMOVE THE SADDLE CAP AND BOLT TO THE SWIVEL MOUNT COUPLER ON THE BOTTOM SIDE OF THE PIPE. REMOVE THE 1/2" SCREWS.

Ref.	Part No.	Description
1	03-1320-5	Rod, Linkage Con. 5/16-24x16
2	3-6760-7	Mount, Tower Panel
3	03-7986-7	Panel, Tower Control, Std, Adv. Align
4	03-7987-5	Panel, Tower Control, Next-Last, Adv. Align
5	4-0691-8	Coupler, 6-5/8", Swivel Mounts
6	1608761	Ring, 6-5/8" Alignment
7	4-8108-5	Cap, Saddle, 6-5/8"
8	6-0240-9	Nut, 5/16-24, Hex
9	6-0262-3	Nut, 5/16-18, Lock, Nylon Insert
10	6-0470-2	Joint, Ball, Quick Disconnect
11	6-0803-4	Screw, 3/8-16 x 1-1/2", Hex, Gr. 5
12	6-0822-4	Nut, 5/16-18, Hex
13	6-2221-7	Screw, 3/8-16 x 1", Hex, Gr. 5
14	6-2417-1	Nut, 3/4-10, Lock

Ref.	Part No.	Description
15	6-3419-6	Nut, 3/8-16, Flange, Toplock
16	6-3146-5	Screw, 5/16-18 x 1-1/2", Hex, Gr. 5
17	6-3509-4	Plug, Drain, 20-75 PSI, Multi-Press. (Red)
18	12-9175-0	Screw, 3/4-10 x 2", w/1.156 SHD, PLT
19	6-4411-2	Joint, Adjuster, Ball, Swivel
20	6-4490-6	Gasket, Boot, 6-5/8" x 7.12" Long
21	11-1244-0	Nut, 1/4-28, Lock, Nylon Insert
22	11-3324-8	Plug, Drain, 50-150 PSI, High-Press. (White)
23	11-3466-7	Plug, Drain, 5-30 PSI, Low-Press. (Black)
24	13-3062-0	Joint, Tower End, 6-5/8", 8500P
25	13-8919-0	Joint, Pivot End, 6-5/8", Swivel, 8500P
26	14-1225-0	Coupler, Half, Composite, 8500P
27	06-0812-5	Washer, Lock, 5/16"
28	1177070	Pin, 3/4" Dia., Plated
29	1028760	Washer, Flat, 3/4"
30	1177120	Pin, Cotter, .125 x 1-3/4"

NOTE: Items 3 and 4, Panel, Tower Control, Std, 10 Wire, CE part number is 14-9411-0. Panel, Tower Control, Next-Last, 10 Wire, CE part number is 14-9412-0.

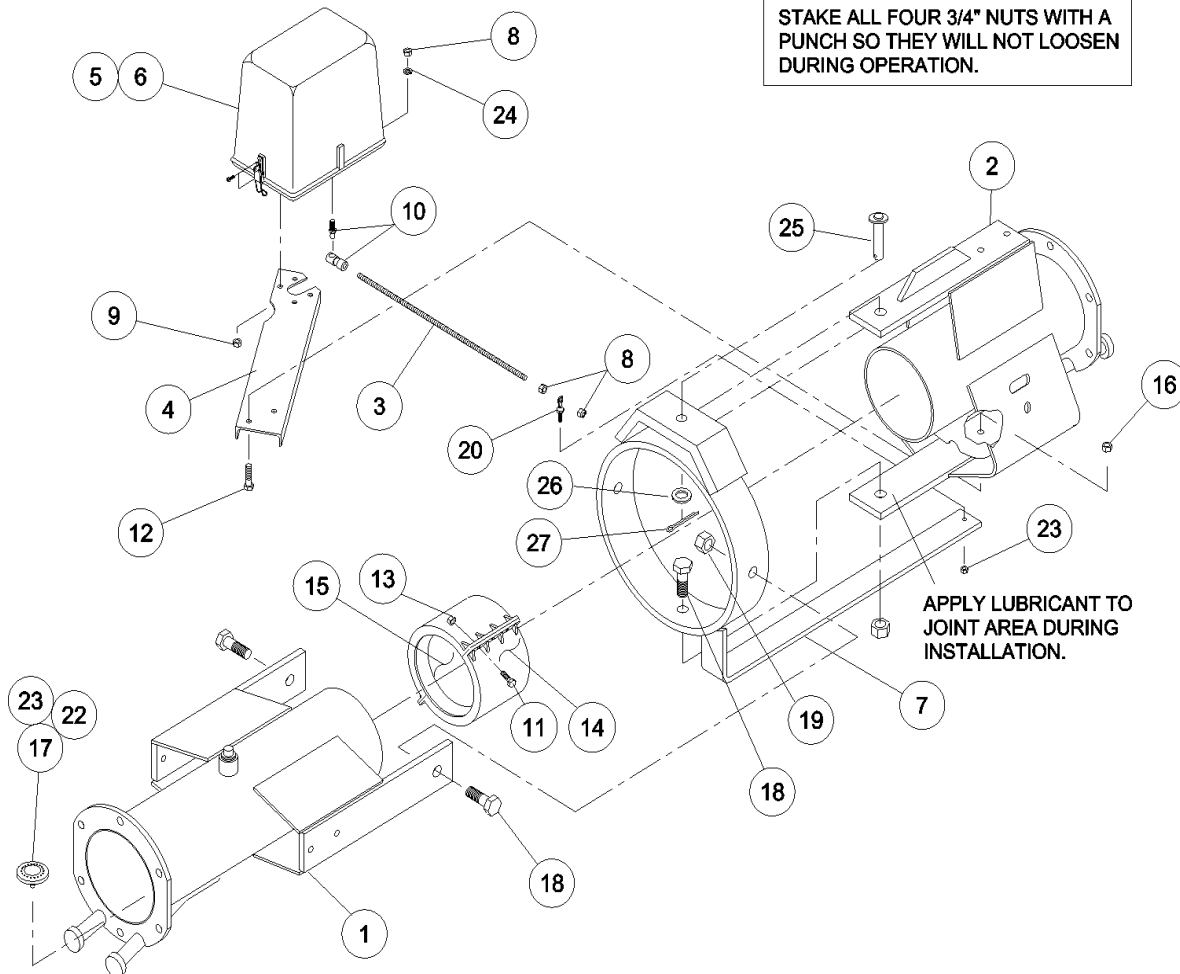


# Pivot Joints

## Joint Assembly, Solid, 5-9/16"

NOTE: INSERT SCREWS IN RING IN PROPER DIRECTION AS SHOWN. TIGHTEN SCREWS UP FULLY, THEN BACK OFF NUTS 1/4 TURN.

STAKE ALL FOUR 3/4" NUTS WITH A PUNCH SO THEY WILL NOT LOOSEN DURING OPERATION.



APPLY LUBRICANT TO JOINT AREA DURING INSTALLATION.

Ref.	Original Part No.	Substitute Part No.	Description
1	3-0699-3		Joint, Pivot End, 5-9/16", w/Outlet
2	3-0703-3		Joint, Tower End, 5-9/16", w/Anchor
3	03-1320-5		Rod, Linkage Con. 5/16-24x16"
4	3-6760-7		Mount, Tower Panel
5	03-7986-7		Panel, Tower Ctrl, Std, Adv. Align
6	03-7987-5		Panel, Tower Control, Next-Last, Adv. Align
7	1608908		Ring, 5-9/16" Alignment
8	6-0240-9		Nut, 5/16-24, Hex
9	6-0262-3		Nut, 5/16-18, Lock, Nylon Insert
10	6-0470-2		Joint, Ball, Quick Disconnect
11	6-0802-6		Screw, 5/16-18 x 1", Hex
12	6-0803-4		Screw, 3/8-16 x 1-1/2", Hex, Gr. 5
13	6-0822-4		Nut, 5/16-18, Hex
14	6-3256-2		Coupler, Half, Zim, 5-9/16" x 6" Long
15	6-3257-0		Gasket, Boot, Zim, 5-9/16" x 5.63"

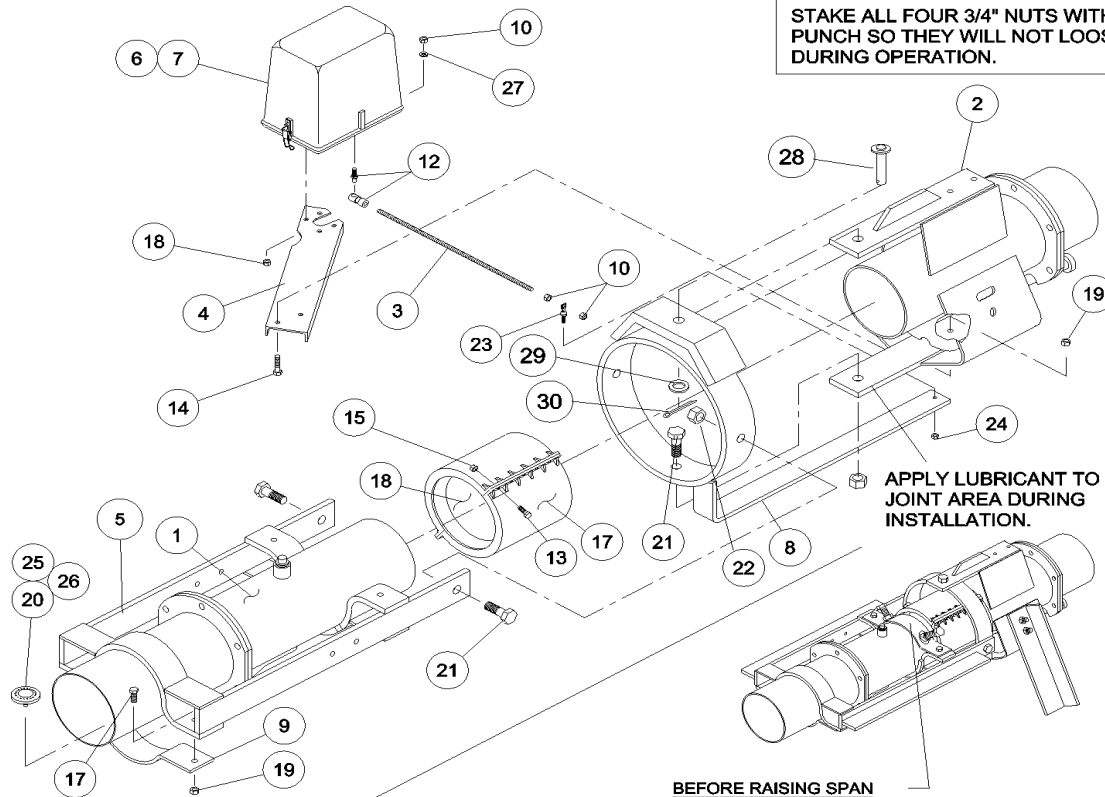
Ref.	Original Part No.	Substitute Part No.	Description
16	6-3419-6		Nut, 3/8-16, Flange, Toplock
17	6-3509-4		Plug, Drain, 20-75 PSI, Multi-Press. (Red)
18	6-4269-4		Screw, 3/4-10 x 1 1/2", Hex, Gr. 5
19	6-4270-2		Nut, 3/4-10, Jam, Toplock
20	6-4411-2		Joint, Adjuster, Ball Swivel
21	11-1244-0		Nut, 1/4-28, Lock, Nylon Insert
22	11-3324-8		Plug, Drain, 50-150 PSI, High-Press. (White)
23	11-3466-7		Plug, Drain, 5-30 PSI, Low-Press. (Black)
24	06-0812-5		Washer, Lock, 5/16"
25	1177070		Pin, 3/4" Dia., Plated
26	1028760		Washer, Flat, 3/4"
27	1177120		Pin, Cotter, .125 x 1-3/4"



# Pivot Joints

## Joint Assembly, Swivel, 5-9/16"

NOTE: INSERT SCREWS IN RING IN PROPER DIRECTION AS SHOWN. TIGHTEN SCREWS UP FULLY, THEN BACK OFF NUTS 1/4 TURN.  
STAKE ALL FOUR 3/4" NUTS WITH A PUNCH SO THEY WILL NOT LOOSEN DURING OPERATION.



APPLY LUBRICANT TO JOINT AREA DURING INSTALLATION.

AFTER RAISING SPAN

BEFORE RAISING SPAN

BEFORE RAISING THE SYSTEM, BOLT THE SADDLE CAP TO THE SWIVEL MOUNT COUPLER ON THE TOP OF THE PIPE. TIGHTEN THE 1/2" SCREWS TO PREVENT THE PIPE FROM ROTATING.

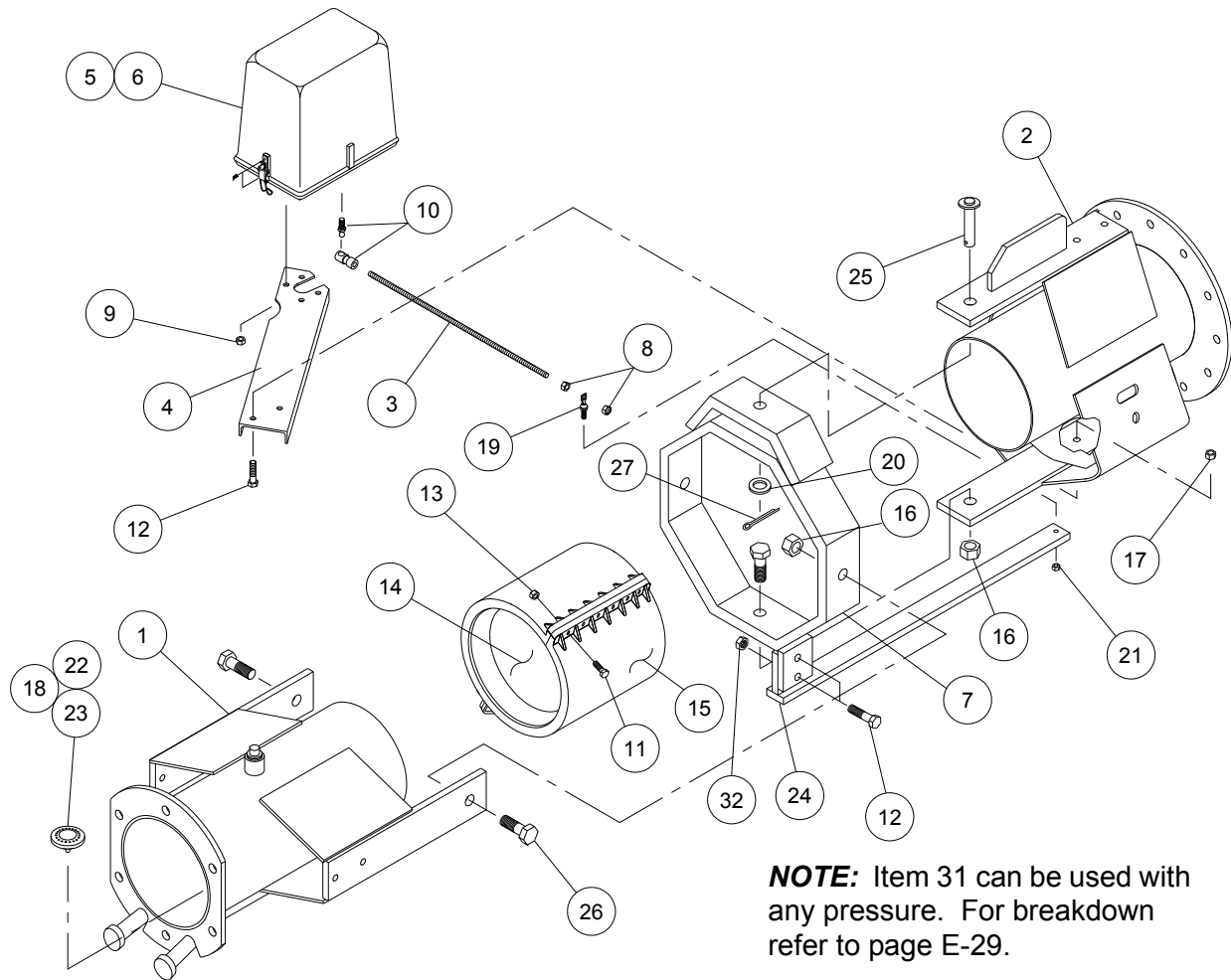
AFTER THE SYSTEM IS INSTALLED, REMOVE THE SADDLE CAP AND BOLT TO THE SWIVEL MOUNT COUPLER ON THE BOTTOM SIDE OF THE PIPE. REMOVE THE 1/2" SCREWS.

Ref.	Original Part No.	Substitute Part No.	Description	Ref.	Original Part No.	Substitute Part No.	Description
1	3-0702-5		Joint, Pivot End, 5-9/16", Swivel, w/ Outlet	16	6-2221-7		Screw, 3/8-16 x 1", Hex, Gr. 5
2	3-0703-3		Joint, Tower End, 5-9/16", w/Anchor	17	6-3256-2		Coupler, Half, Zim, 5-9/16" x 6" Long
3	03-1320-5		Rod, Linkage Con. 5/16-24x16"	18	6-3257-0		Gasket, Boot, Zimmatic, 5-9/16" x 5.63"
4	3-6760-7		Mount, Tower Panel	19	6-3419-6		Nut, 3/8-16, Flange, Toplock
5	3-6793-8		Coupler, 5-9/16", Swivel Mount	20	6-3509-4		Plug, Drain, 20-75 PSI, Multi-Press. (Red)
6	03-7986-7		Panel, Tower Control, Std, 10 Wire	21	6-4269-4		Screw, 3/4-10 x 1-1/2", Hex, Gr. 5
7	03-7987-5		Panel, Tower Control, Next-Last, Adv. Align	22	6-4270-2		Nut, 3/4-10, Toplock, Jam
8	1608908		Ring, 5-9/16" Alignment	23	6-4411-2		Joint, Adjuster, Ball Swivel
9	4-8107-7		Cap, Saddle, 5-9/16"	24	11-1244-0		Nut, 1/4-28, Lock, Nylon Insert
10	6-0240-9		Nut, 5/16-24, Hex	25	11-3324-8		Plug, Drain, 50-150 PSI, High-Press. (White)
11	6-0262-3		Nut, 5/16-18, Lock, Nylon Insert	26	11-3466-7		Plug, Drain, 5-30 PSI, Low-Press. (Black)
12	6-0470-2		Joint, Ball, Quick Disconnect	27	06-0812-5		Washer, Lock, 5/16"
13	6-0802-6		Screw, 5/16"-18 x 1", Hex	28	1177070		Pin, 3/4" Dia., Plated
14	6-0803-4		Screw, 3/8"-16 x 1-1/2", Hex, Gr. 5	29	1028760		Washer, Flat, 3/4"
15	6-0822-4		Nut, 5/16-18, Hex	30	1177120		Pin, Cotter, .125 x 1-3/4"



# Pivot Joints

## Joint Assembly, Reduction, Solid, 10" x 8-5/8"



**NOTE:** Item 31 can be used with any pressure. For breakdown refer to page E-29.

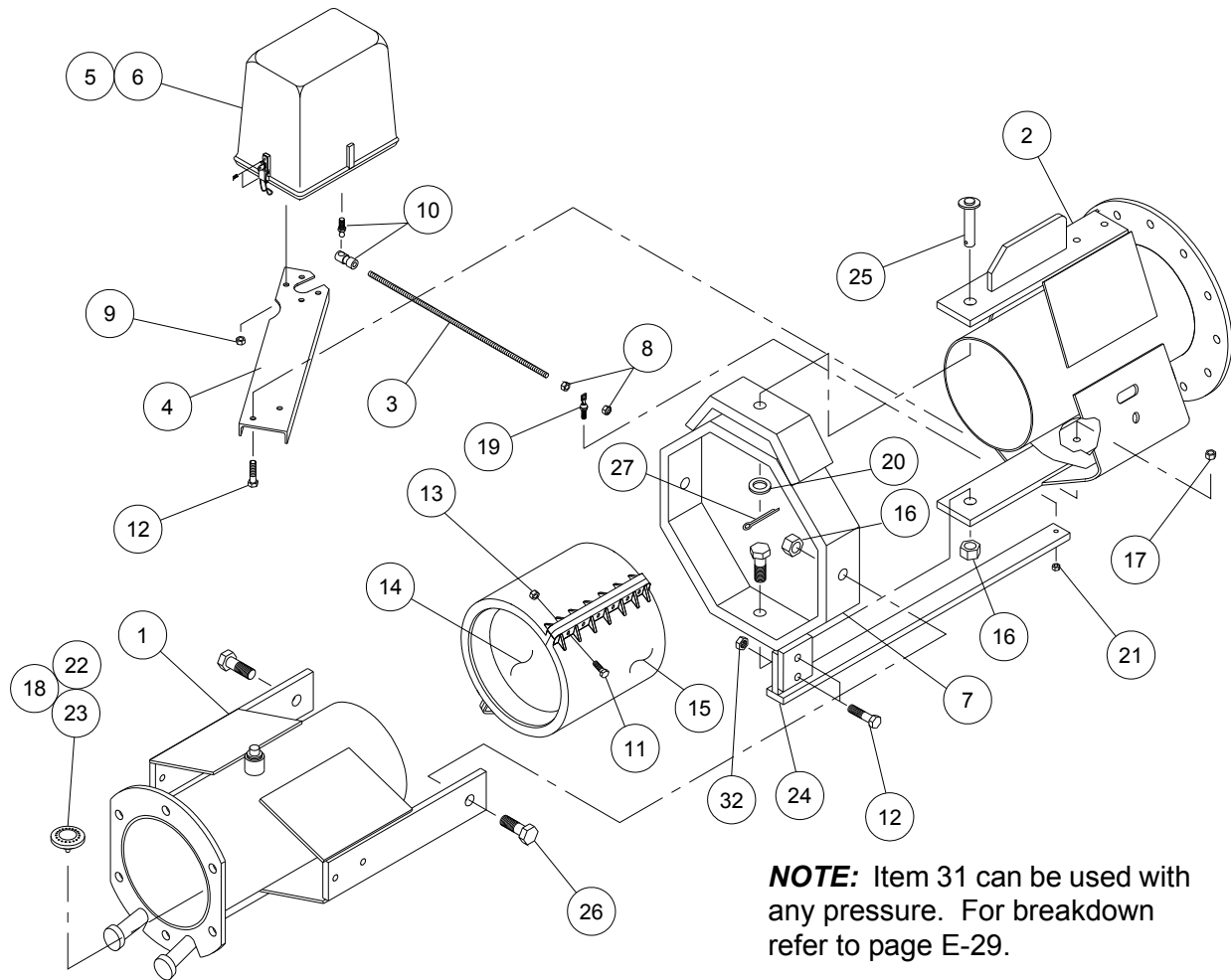
Ref.	Original Part No.	Substitute Part No.	Description
1	14-3779-0		Joint, Pivot End, 8-5/8", w/Outlet
2	14-3786-0		Joint, Twr. End, 10" x 8-5/8", Reduction
3	03-1320-5		Rod, Linkage Control
4	03-6760-7		Mount, Tower Panel
5	03-7986-7		Panel, Tower Control, Std, 10 Wire
6	03-7987-5		Panel, Tower Control, N.L., 10 Wire
7	04-6814-0		Ring, Octagon, 8"
8	06-0240-9		Nut, 5/16-24, Hex
9	06-0262-3		Nut, 5/16-18, Lock, Nylon Insert
10	06-0470-2		Joint, Ball, Quick Disconnect
11	06-0802-6		Screw, 5/16-18 x 1", Hex
12	06-0803-4		Screw, 3/8-16 x 1-1/2", Hex, Gr. 5
13	06-0822-4		Nut, 5/16-18, Hex
14	14-4313-0		Gasket, Boot, Zimmatic, 8-5/8"
15	14-4314-0		Coupler, Half, Zim, Split, 8-5/8"
16	06-2417-1		Nut, 3/4-10, Lock
17	06-3419-6		Nut, 3/8-16, Flange, Toplock

18	06-3509-4		Plug, Drain, 20-75 PSI, Multi-Prs. (Red)
19	06-4411-2		Joint, Adjuster, Ball Swivel
20	10-2876-0		Washer, Flat, 3/4"
21	11-1244-0		Nut, 1/4-28, Lock, Nylon Insert
22	11-3324-8		Plug, Drain, 50-150 PSI, High Prs. (Wh)
23	11-3466-7		Plug, Drain, 5-30 PSI, Low Prs. (Blk)
24	11-7705-4		Arm, Weldment, Alignment
25	11-7707-0		Pin, 3/4" Dia., Plated
26	11-7710-4		Screw, 3/4-10 x 2", Controlled
27	11-7712-0		Pin, Cotter, .125" x 1-3/4", Plated
28	03-2766-8		Kit, Tower Box Linkage Replacement (Items 8, 10, 19 and 21)
29	10-1726-8		Kit, Control Rod (Items 8, 19 and 21)
30	13-3038-0		Kit, Control Rod and Linkage (Items 3, 8, 19 and 21)
31	14-2643-0		Drain Assembly, Pivot (Optional)
32	06-2420-5		Nut, 3/8-16, Lock



# Pivot Joints

## Joint Assembly, Reduction, Solid, 10" x 8"



**NOTE:** Item 31 can be used with any pressure. For breakdown refer to page E-29.

Ref.	Original Part No.	Substitute Part No.	Description
1	03-0680-3		Joint, Pivot End, 8", w/Outlet
2	11-7851-6		Joint, Twr. End, 10" x 8", Reduction
3	03-1320-5		Rod, Linkage Control
4	03-6760-7		Mount, Tower Panel
5	03-7986-7		Panel, Tower Control, Std, 10 Wire
6	03-7987-5		Panel, Tower Control, N.L., 10 Wire
7	04-6814-0		Ring, Octagon, 8"
8	06-0240-9		Nut, 5/16-24, Hex
9	06-0262-3		Nut, 5/16-18, Lock, Nylon Insert
10	06-0470-2		Joint, Ball, Quick Disconnect
11	06-0802-6		Screw, 5/16-18 x 1", Hex
12	06-0803-4		Screw, 3/8-16 x 1-1/2", Hex, Gr. 5
13	06-0822-4		Nut, 5/16-18, Hex
14	06-2087-2		Gasket, Boot, Zimmatic, 8"
15	06-2100-3		Coupler, Half, Zimmatic, Split, 8"
16	06-2417-1		Nut, 3/4-10, Lock
17	06-3419-6		Nut, 3/8-16, Flange, Toplock

Ref.	Original Part No.	Substitute Part No.	Description
18	06-3509-4		Plug, Drain, 20-75 PSI, Multi-Prs. (Red)
19	06-4411-2		Joint, Adjuster, Ball Swivel
20	10-2876-0		Washer, Flat, 3/4"
21	11-1244-0		Nut, 1/4-28, Lock, Nylon Insert
22	11-3324-8		Plug, Drain, 50-150 PSI, High Prs. (Wh)
23	11-3466-7		Plug, Drain, 5-30 PSI, Low Prs. (Blk)
24	11-7705-4		Arm, Weldment, Alignment
25	11-7707-0		Pin, 3/4" Dia., Plated
26	11-7710-4		Screw, 3/4-10 x 2", Controlled
27	11-7712-0		Pin, Cotter, .125" x 1-3/4", Plated
28	03-2766-8		Kit, Tower Box Linkage Replacement (Items 8, 10, 19 and 21)
29	10-1726-8		Kit, Control Rod (Items 8, 19 and 21)
30	13-3038-0		Kit, Control Rod and Linkage (Items 3, 8, 19 and 21)
31	14-2643-0		Drain Assembly, Pivot (Optional)
32	06-2420-5		Nut, 3/8-16, Lock

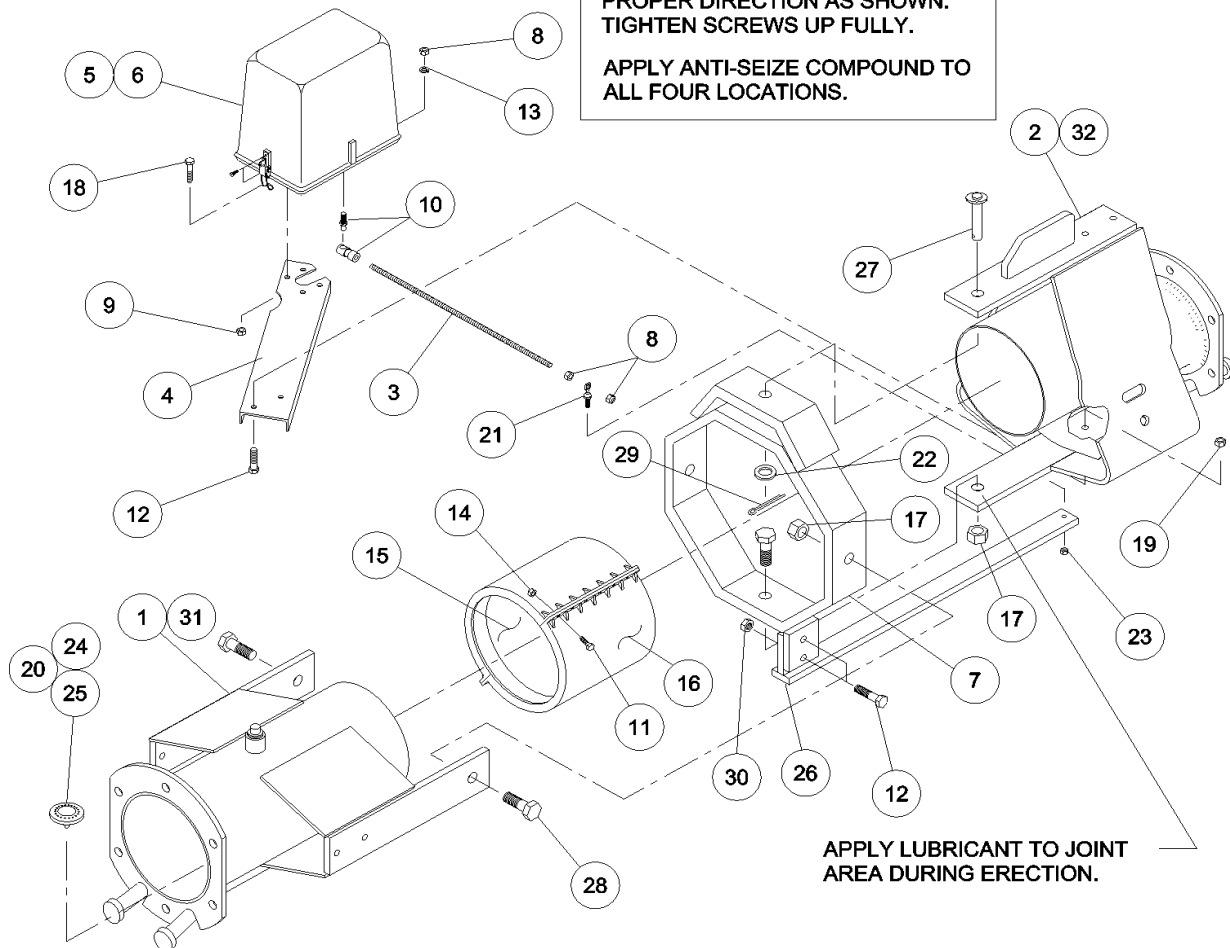


# Pivot Joints

## Joint Assembly, Reduction, 8-5/8" x 8", Solid (Galvanize & Stainless Steel)

NOTE: INSERT SCREWS IN RING IN PROPER DIRECTION AS SHOWN. TIGHTEN SCREWS UP FULLY.

APPLY ANTI-SEIZE COMPOUND TO ALL FOUR LOCATIONS.



APPLY LUBRICANT TO JOINT AREA DURING ERECTION.

Ref.	Part No.	Description
1	3-0680-3	Joint, Pivot End, 8", w/Outlet
2	14-4286-0	Joint, Tower End, 8-5/8" x 8", Reduction
3	3-1320-5	Rod, Linkage Control
4	3-6760-7	Mount, Tower Panel
5	3-7986-7	Panel, Tower Control, Std, 10 Wire
6	3-7987-5	Panel, Tower Control, Next-Last, 10 Wire
7	4-6814-0	Ring, Octagon, 8"
8	6-0240-9	Nut, 5/16-24, Hex
9	6-0262-3	Nut, 5/16-18, Lock, Nylon Insert
10	6-0470-2	Joint, Ball, Quick Disconnect
11	6-0802-6	Screw, 5/16-18 x 1", Hex
12	6-0803-4	Screw, 3/8-16 x 1-1/2", Hex, Gr. 5
13	6-0812-5	Washer, Lock, 5/16"
14	6-0822-4	Nut, 5/16-18, Hex
15	6-2087-2	Gasket, Boot, Zimmatic, 8"
16	6-2100-3	Coupler, Half, Zimmatic, Split, 8"
17	6-2417-1	Nut, 3/4-10, Lock
18	6-3146-5	Screw, 5/16-18 x 1-1/2", Hex, Gr. 5

Ref.	Part No.	Description
19	6-3419-6	Nut, 3/8-16, Flange, Toplock
20	6-3509-4	Plug, Drain, 20-75 PSI, Multi-Press. (Red)
21	6-4411-2	Joint, Adjuster, Ball Swivel
22	10-2876-0	Washer, Flat, 3/4"
23	11-1244-0	Nut, 1/4-28, Lock, Nylon Insert
24	11-3324-8	Plug, Drain, 50-150 PSI, High Press. (White)
25	11-3466-7	Plug, Drain, 5-30 PSI, Low Press. (Black)
26	11-7705-4	Arm, Weldment, Alignment
27	11-7707-0	Pin, 3/4" Dia., Plated
28	11-7710-4	Screw, 3/4-10 x 2", Controlled
29	11-7712-0	Pin, Cotter, .125" x 1-3/4", Plated
30	06-2420-5	Nut, 3/4-10, Lock
31	11-6482-1	Joint, Pivot End, 8", Stainless Steel
32	14-4553-0	Joint, Tower End, 8-5/8" x 8", S.S.
33	10-1726-8	Kit, Control Rod (Items 3, 8, 21, 23)
34	03-2766-8	Kit, Tower Box Linkage Replacement (Items 3, 8, 21 & 23)
35	13-3038-0	Kit, Control Rod & Linkage (Items 3, 8, 21 & 23)

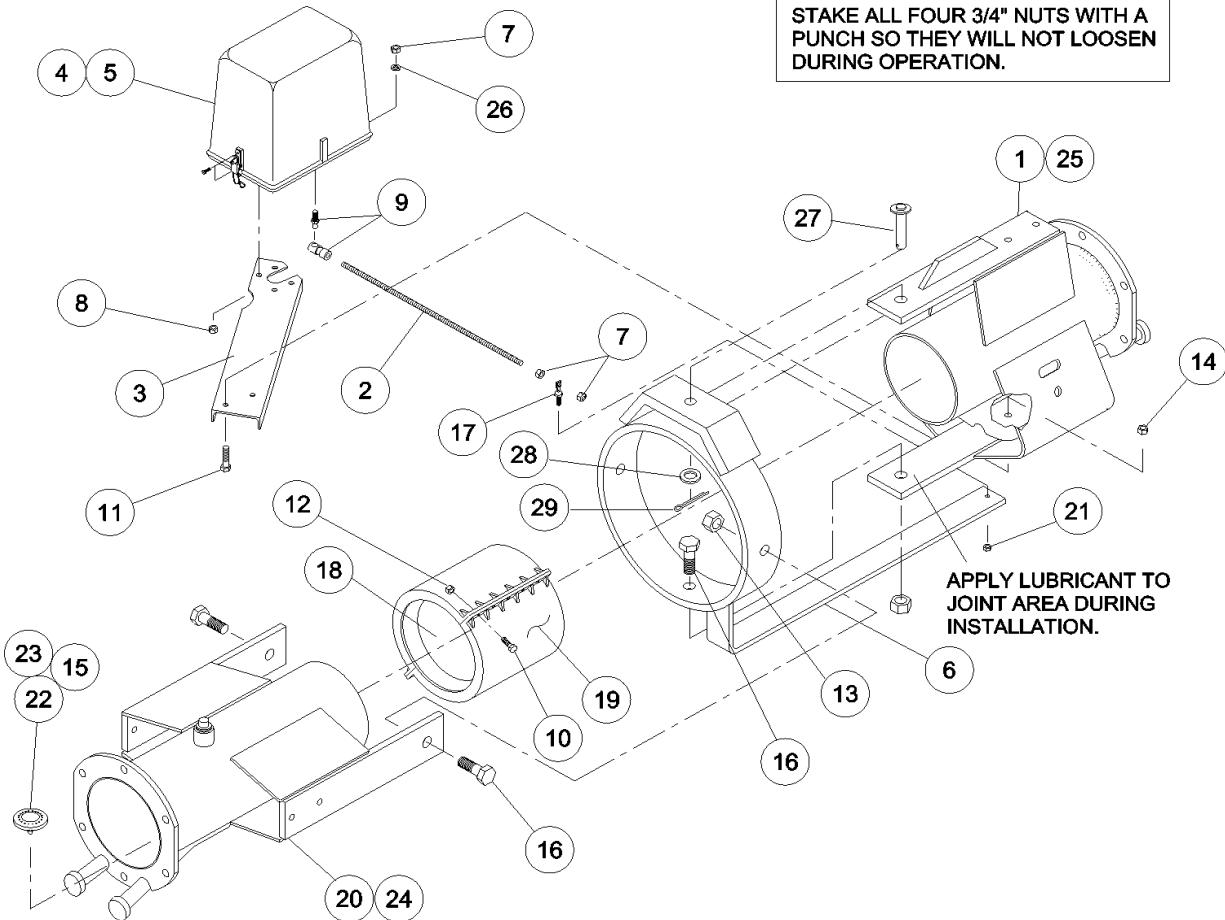


# Pivot Joints

## Joint Assembly, Reduction, 8-5/8" x 6-5/8", Solid (Galvanize & Stainless Steel)

NOTE: INSERT SCREWS IN RING IN PROPER DIRECTION AS SHOWN. TIGHTEN SCREWS UP FULLY.

STAKE ALL FOUR 3/4" NUTS WITH A PUNCH SO THEY WILL NOT LOOSEN DURING OPERATION.



APPLY LUBRICANT TO JOINT AREA DURING INSTALLATION.

Ref.	Part No.	Description
1	14-3783-0	Joint, Twr End, 8-5/8" x 6-5/8", w/Anchor
2	03-1320-5	Rod, Linkage Control 5/16-24x16"
3	03-6760-7	Mount, Tower Panel
4	03-7986-7	Panel, Tower Control, Std, Adv. Align
5	03-7987-5	Panel, Tower Ctrl, Next-Last, Adv. Align
6	1608761	Ring, 6-5/8" Alignment
7	6-0240-9	Nut, 5/16-24, Hex, SS
8	6-0262-3	Nut, 5/16-18, Lock, Nylon Insert
9	6-0470-2	Joint, Ball, Quick Disconnect
10	6-0802-6	Screw, 5/16-18 x 1", Hex
11	6-0803-4	Screw, 3/8-16 x 1-1/2", Hex, Gr. 5
12	6-0822-4	Nut, 5/16-18, Hex
13	6-2417-1	Nut, 3/4-10, Lock
14	6-3419-6	Nut, 3/8-16, Flange, Toplock
15	6-3509-4	Plug, Drain, 20-75 PSI, Multi-Press. (Red)

Ref.	Part No.	Description
16	12-9175-0	Screw, 3/4-10 x 2" w/1.156 SHD, PLT
17	6-4411-2	Joint, Adjuster, Ball Swivel
18	6-4490-6	Gasket, Boot, 6-5/8"
19	6-4491-4	Coupler, Half, Zimmatic, 6-5/8"
20	11-0062-7	Joint, Pivot End, 6-5/8", w/Outlet
21	11-1244-0	Nut, 1/4-28, Lock, Nylon Insert
22	11-3324-8	Plug, Drain, 50-150 PSI, High-Press. (White)
23	11-3466-7	Plug, Drain, 5-30 PSI, Low-Press. (Black)
24	11-6098-5	Joint, Pivot End, 6-5/8", Stainless Steel
25	14-4551-0	Joint, Tower End, 8-5/8" x 6-5/8", S.S.
26	06-0812-5	Washer, Lock, 5/16"
27	1177070	Pin, 3/4" Dia., Plated
28	1028760	Washer, Flat, 3/4"
29	1177120	Pin, Cotter, .125 x 1-3/4"

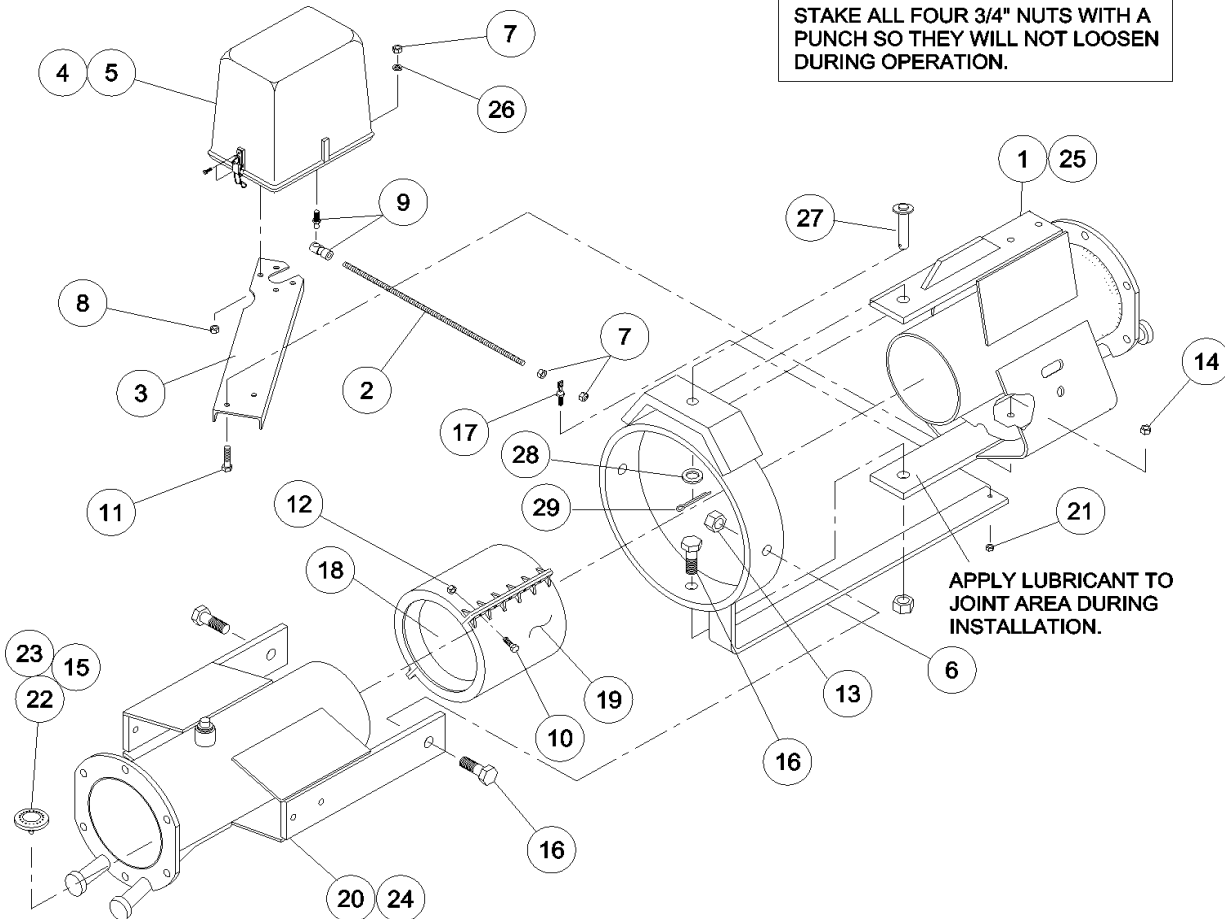


# Pivot Joints

## Joint Assembly, Reduction, Solid, 8" x 6-5/8" (Galvanize & Stainless Steel)

NOTE: INSERT SCREWS IN RING IN PROPER DIRECTION AS SHOWN. TIGHTEN SCREWS UP FULLY.

STAKE ALL FOUR 3/4" NUTS WITH A PUNCH SO THEY WILL NOT LOOSEN DURING OPERATION.



APPLY LUBRICANT TO JOINT AREA DURING INSTALLATION.

Ref.	Original Part No.	Substitute Part No.	Description
1	3-0685-2		Joint, Tower End, 8" x 6-5/8", w/ Anchor
2	03-1320-5		Rod, Linkage Con. 5/16-24x16"
3	3-6760-7		Mount, Tower Panel
4	03-7986-7		Panel, Tower Ctrl, Std, Adv. Align
5	03-7987-5		Panel, Tower Control, Next-Last, Adv. Align
6	1608761		Ring, 6-5/8" Alignment
7	6-0240-9		Nut, 5/16-24, Hex, SS
8	6-0262-3		Nut, 5/16-18, Lock, Nylon Insert
9	6-0470-2		Joint, Ball, Quick Disconnect
10	6-0802-6		Screw, 5/16-18 x 1", Hex
11	6-0803-4		Screw, 3/8-16 x 1-1/2", Hex, Gr. 5
12	6-0822-4		Nut, 5/16-18, Hex
13	6-2417-1		Nut, 3/4-10, Lock
14	6-3419-6		Nut, 3/8-16, Flange, Toplock
15	6-3509-4		Plug, Drain, 20-75 PSI, Multi-Press. (Red)

Ref.	Original Part No.	Substitute Part No.	Description
16	12-9175-0		Screw, 3/4-10 x 2" w/1.156 SHD, PLT
17	6-4411-2		Joint, Adjuster, Ball Swivel
18	6-4490-6		Gasket, Boot, 6-5/8"
19	6-4491-4		Coupler, Half, Zimmatic, 6-5/8"
20	11-0062-7		Joint, Pivot End, 6-5/8", w/Outlet
21	11-1244-0		Nut, 1/4-28, Lock, Nylon Insert
22	11-3324-8		Plug, Drain, 50-150 PSI, High-Press. (White)
23	11-3466-7		Plug, Drain, 5-30 PSI, Low-Press. (Black)
24	11-6098-5		Joint, Pivot, End, 6 5/8", Stainless Steel
25	11-6491-2		Joint, Tower End, 8" x 6-5/8", Stainless Steel
26	06-0812-5		Washer, Lock, 5/16"
27	1177070		Pin, 3/4" Dia., Plated
28	1028760		Washer, Flat, 3/4"
29	1177120		Pin, Cotter, .125 x 1-3/4"

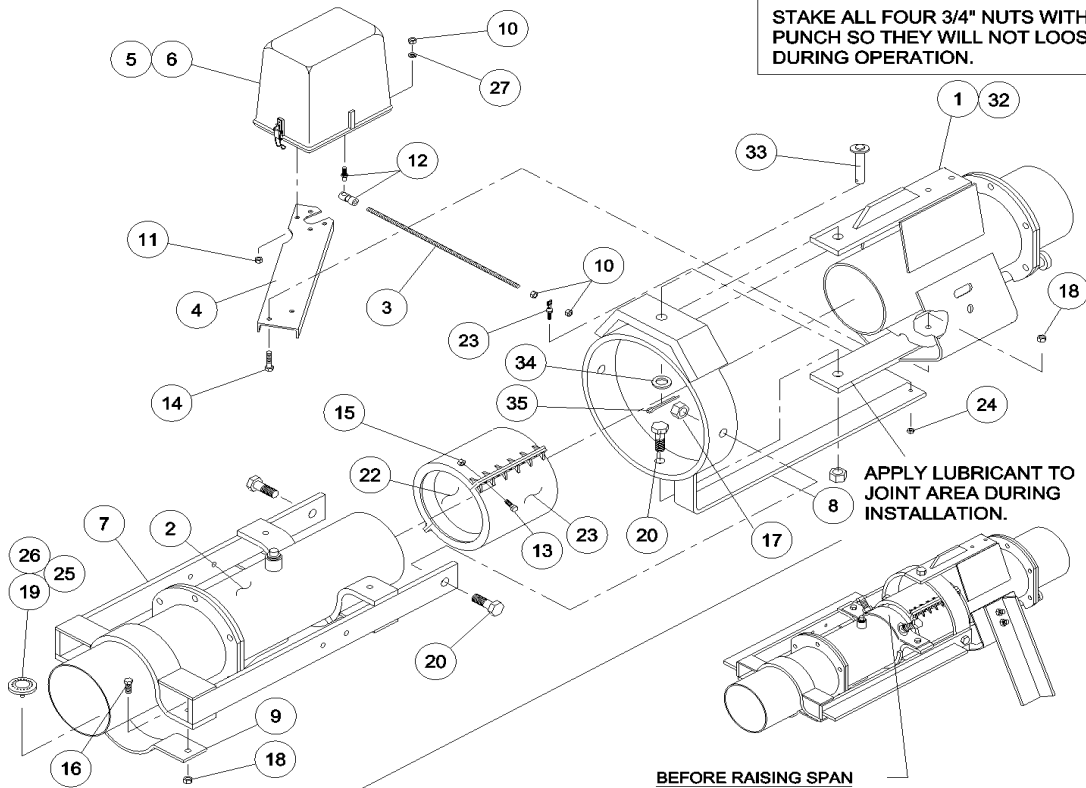


# Pivot Joints

## Joint Assembly, Reduction, Swivel, 8-5/8" or 8" x 6-5/8", Beginning Serial #24912

NOTE: INSERT SCREWS IN RING IN PROPER DIRECTION AS SHOWN. TIGHTEN SCREWS UP FULLY.

STAKE ALL FOUR 3/4" NUTS WITH A PUNCH SO THEY WILL NOT LOOSEN DURING OPERATION.



APPLY LUBRICANT TO JOINT AREA DURING INSTALLATION.

AFTER RAISING SPAN

BEFORE RAISING SPAN

BEFORE RAISING THE SYSTEM, BOLT THE SADDLE CAP TO THE SWIVEL MOUNT COUPLER ON THE TOP OF THE PIPE. TIGHTEN THE 1/2" SCREWS TO PREVENT THE PIPE FROM ROTATING.

AFTER THE SYSTEM IS INSTALLED, REMOVE THE SADDLE CAP AND BOLT TO THE SWIVEL MOUNT COUPLER ON THE BOTTOM SIDE OF THE PIPE. REMOVE THE 1/2" SCREWS.

Ref.	Original Part No.	Description
1	3-0685-2	Joint, Tower End, 8" x 6-5/8", w/Anchor
2	3-0690-2	Joint, Pivot End, 6-5/8", Swivel w/Outlet
3	03-1320-5	Rod, Linkage Con. 5/16-24x16"
4	3-6760-7	Mount, Tower Panel
5	03-7986-7	Panel, Tower Control, Std, Adv. Align
6	03-7987-5	Panel, Tower Control, Next-Last, Adv. Align
7	4-0691-8	Coupler, 6-5/8", Swivel Mounts
8	1608761	Ring Weldment, Alignment, 6-5/8"
9	4-8108-5	Cap Weldment, Saddle, 6-5/8"
10	6-0240-9	Nut, 5/16-24, Hex
11	6-0262-3	Nut, 5/16-18, Lock, Nylon Insert
12	6-0470-2	Joint, Ball, Quick Disconnect
13	6-0802-6	Screw, 5/16-18 x 1", Hex
14	6-0803-4	Screw, 3/8-16 x 1-1/2", Hex, Gr. 5
15	6-0822-4	Nut, 5/16-18, Hex
16	6-2221-7	Screw, 3/8-16 x 1", Hex, Gr. 5
17	6-2417-1	Nut, 3/4-10, Lock
18	6-3419-6	Nut, 3/8-16, Flange, Toplock

Ref.	Original Part No.	Description
19	6-3509-4	Plug, Drain, 20-75 PSI, Multi-Press.(Red)
20	12-9175-0	Screw, 3/4-10 x 2" W/1.156 SHD, PLT
21	6-4411-2	Joint, Adjuster, Ball, Swivel
22	6-4490-6	Gasket, Boot, 6-5/8"
23	6-4491-4	Coupler, Half, Zimmatic, 6-5/8"
24	11-1244-0	Nut, 1/4-28, Lock, Nylon Insert
25	11-3324-8	Plug, Drain, 50-150 PSI, High-Press. (White)
26	11-3466-7	Plug, Drain, 5-30 PSI, Low-Press. (Black)
27	06-0812-5	Washer, Lock, 5/16"
28	3-2766-8	Kit, Tower Box linkage, Replacem
29	10-1726-8	Kit, Control Rod
30	13-3038-0	Kit, Control Rod and Linkage
31	14-2643-0	Drain Assy, Pivot
32	14-3783-0	Joint, Tower End, 8-5/8" x 6-5/8", w/Anchor
33	1177070	Pin, 3/4" Dia., Plated
34	1028760	Washer, Flat, 3/4"
35	1177120	Pin, Cotter, .125 x 1-3/4"

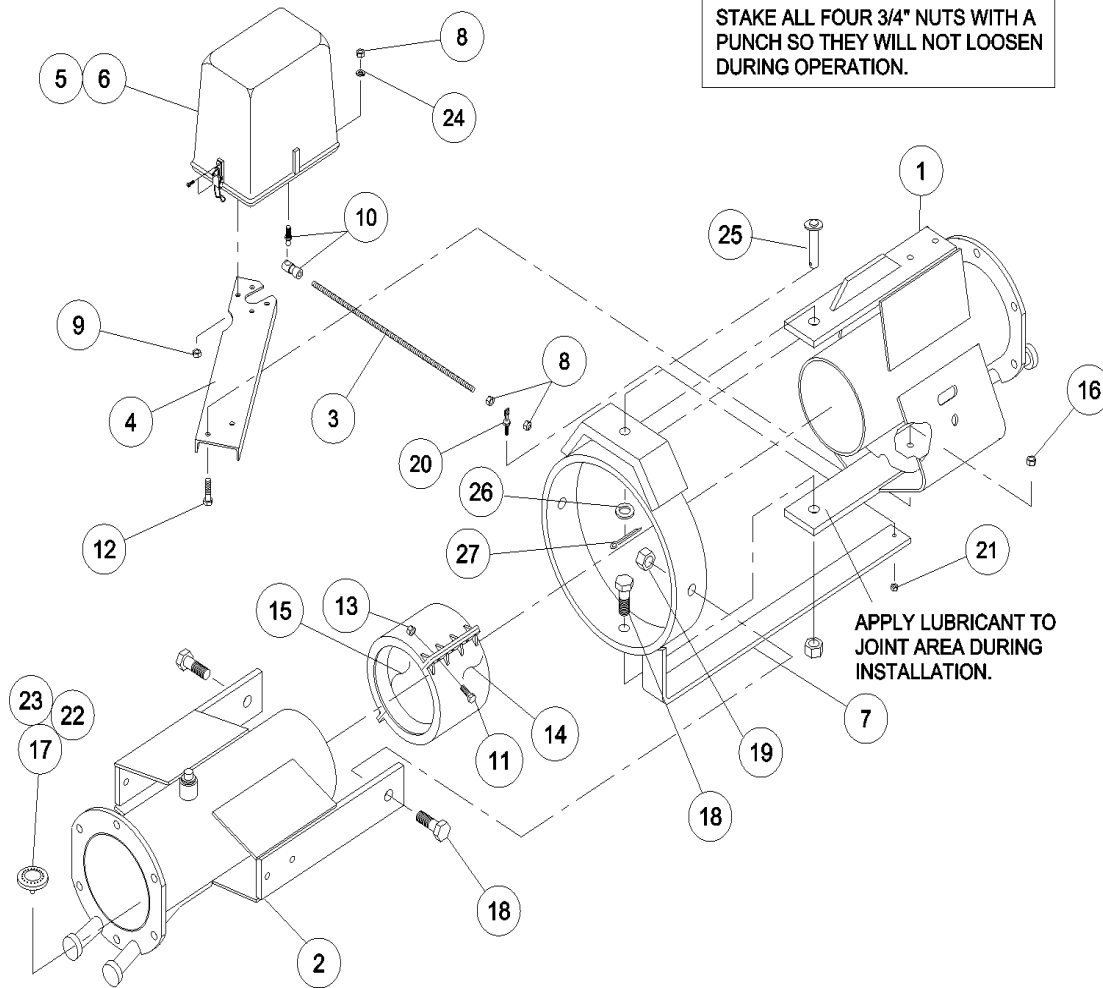


# Pivot Joints

## Joint Assembly, Reduction, Solid, 6-5/8" x 5-9/16", Beginning Serial #24912

NOTE: INSERT SCREWS IN RING IN PROPER DIRECTION AS SHOWN. TIGHTEN SCREWS UP FULLY, THEN BACK OFF NUTS 1/4 TURN.

STAKE ALL FOUR 3/4" NUTS WITH A PUNCH SO THEY WILL NOT LOOSEN DURING OPERATION.



Ref.	Original Part No.	Description
1	3-0695-1	Joint, Tower End, 6-5/8" x 5-9/16", w/Anchor
2	3-0699-3	Joint, Pivot End, 5-9/16", w/Outlet
3	03-1320-5	Rod, Linkage Control 5/16-24x16"
4	3-6760-7	Mount, Tower Panel
5	03-7986-7	Panel, Tower Control, Std, Adv. Align
6	03-7987-5	Panel, Tower Control, Next-Last, Adv. Align
7	1608908	Ring, 5-9/16" Alignment
8	6-0240-9	Nut, 5/16-24, Hex
9	6-0262-3	Nut, 5/16-18, Lock, Nylon Insert
10	6-0470-2	Joint, Ball, Quick Disconnect
11	6-0802-6	Screw, 5/16-18 x 1", Hex
12	6-0803-4	Screw, 3/8-16 x 1-1/2", Hex, Gr. 5
13	6-0822-4	Nut, 5/16-18, Hex

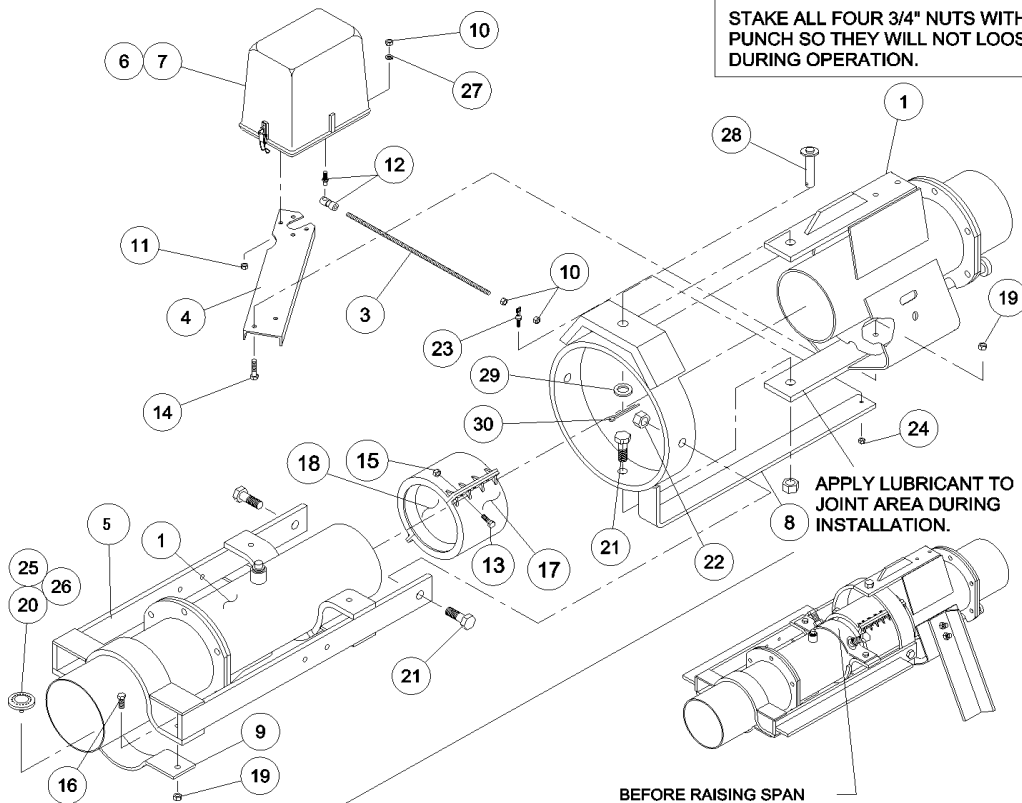
Ref.	Original Part No.	Description
14	6-3256-2	Coupler, Half, Zimmatic, 5-9/16" x 6" Long
15	6-3257-0	Gasket, Boot, Zimmatic, 5-9/16" x 5.63"
16	6-3419-6	Nut, 3/8-16, Flange, Toplock
17	6-3509-4	Plug, Drain, 20-75 PSI, Multi-Press.(Red)
18	6-4269-4	Screw, 3/4-10 x 1-1/2" Hex, Gr. 5
19	6-4270-2	Nut, 3/4-10, Toplock, Jam, Hex
20	6-4411-2	Joint, Adjuster, Ball Swivel
21	11-1244-0	Nut, 1/4-28, Lock, Nylon Insert
22	11-3324-8	Plug, Drain, 50-150PSI, High-Press. (White)
23	11-3466-7	Plug, Drain, 5-30 PSI, Low-Press. (Black)
24	06-0812-5	Washer, Lock, 5/16"
25	1177070	Pin, 3/4" Dia., Plated
26	1028760	Washer, Flat, 3/4"
27	1177120	Pin, Cotter, .125 x 1-3/4"



# Pivot Joints

## Joint Assembly, Reduction, Swivel, 6-5/8" x 5-9/16", Beginning Serial #24911

NOTE: INSERT SCREWS IN RING IN PROPER DIRECTION AS SHOWN. TIGHTEN SCREWS UP FULLY, THEN BACK OFF NUTS 1/4 TURN.  
STAKE ALL FOUR 3/4" NUTS WITH A PUNCH SO THEY WILL NOT LOOSEN DURING OPERATION.



APPLY LUBRICANT TO JOINT AREA DURING INSTALLATION.

BEFORE RAISING SPAN

AFTER RAISING SPAN

BEFORE RAISING THE SYSTEM, BOLT THE SADDLE CAP TO THE SWIVEL MOUNT COUPLER ON THE TOP OF THE PIPE. TIGHTEN THE 1/2" SCREWS TO PREVENT THE PIPE FROM ROTATING.

AFTER THE SYSTEM IS INSTALLED, REMOVE THE SADDLE CAP AND BOLT TO THE SWIVEL MOUNT COUPLER ON THE BOTTOM SIDE OF THE PIPE. REMOVE THE 1/2" SCREWS.

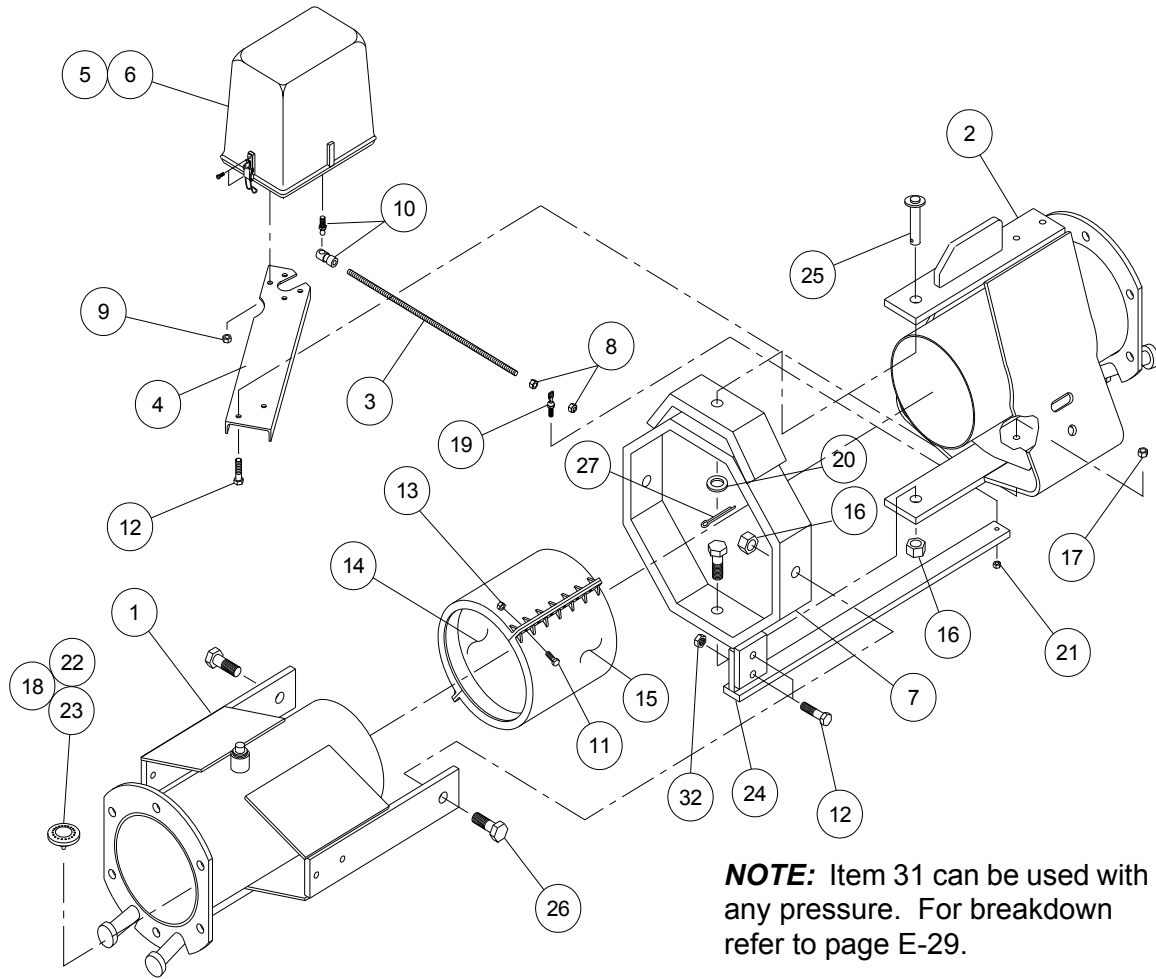
Ref.	Original Part No.	Substitute Part No.	Description
1	3-0695-1		Joint, Tower End, 6-5/8" x 5-9/16", w/ Anchor
2	3-0702-5		Joint, Pivot End, 5-9/16", Swivel w/Outlet
3	03-1320-5		Rod, Linkage Con. 5/16-24x16"
4	3-6760-7		Mount, Tower Panel
5	3-6793-8		Coupler, 5-9/16", Swivel Mount
6	03-7986-7		Panel, Tower Ctrl, Std, Adv. Align
7	03-7987-5		Panel, Tower Control, Next-Last, Adv. Align
8	1608908		Ring, 5-9/16" Alignment
9	4-8107-7		Cap Weldment, Saddle, 5-9/16"
10	6-0240-9		Nut, 5/16-24, Hex
11	6-0262-3		Nut, 5/16-18, Lock, Nylon Insert
12	6-0470-2		Joint, Ball, Quick Disconnect
13	6-0802-6		Screw, 5/16-18 x 1", Hex
14	6-0803-4		Screw, 3/8-16 x 1-1/2", Hex, Gr. 5
15	6-0822-4		Nut, 5/16-18, Hex
16	6-2221-7		Screw, 3/8-16 x 1", Hex, Gr. 5

Ref.	Original Part No.	Substitute Part No.	Description
17	6-3256-2		Coupler, Half, Zimmatic, 5-9/16" x 6" Long
18	6-3257-0		Gasket, Boot, Zimmatic, 5-9/16" x 5.63"
19	6-3419-6		Nut, 3/8-16, Flange, Toplock
20	6-3509-4		Plug, Drain, 20-75 PSI, Multi-Press. (Red)
21	6-4269-4		Screw, 3/4-10 x 1-1/2" Hex, Gr. 5
22	6-4270-2		Nut, 3/4-10, Toplock, Jam, Hex
23	6-4411-2		Joint, Adjuster, Ball, Swivel
24	11-1244-0		Nut, 1/4-28, Lock, Nylon Insert
25	11-3324-8		Plug, Drain, 50-150 PSI, High-Press. (White)
26	11-3466-7		Plug, Drain, 5-30 PSI, Low-Press. (Black)
27	06-0812-5		Washer, Lock, 5/16"
28	1177070		Pin, 3/4" Dia., Plated
29	1028760		Washer, Flat, 3/4"
30	1177120		Pin, Cotter, .125 x 1-3/4"



# Pivot Joints

## Joint Assembly, Solid, 8", Stainless Steel



**NOTE:** Item 31 can be used with any pressure. For breakdown refer to page E-29.

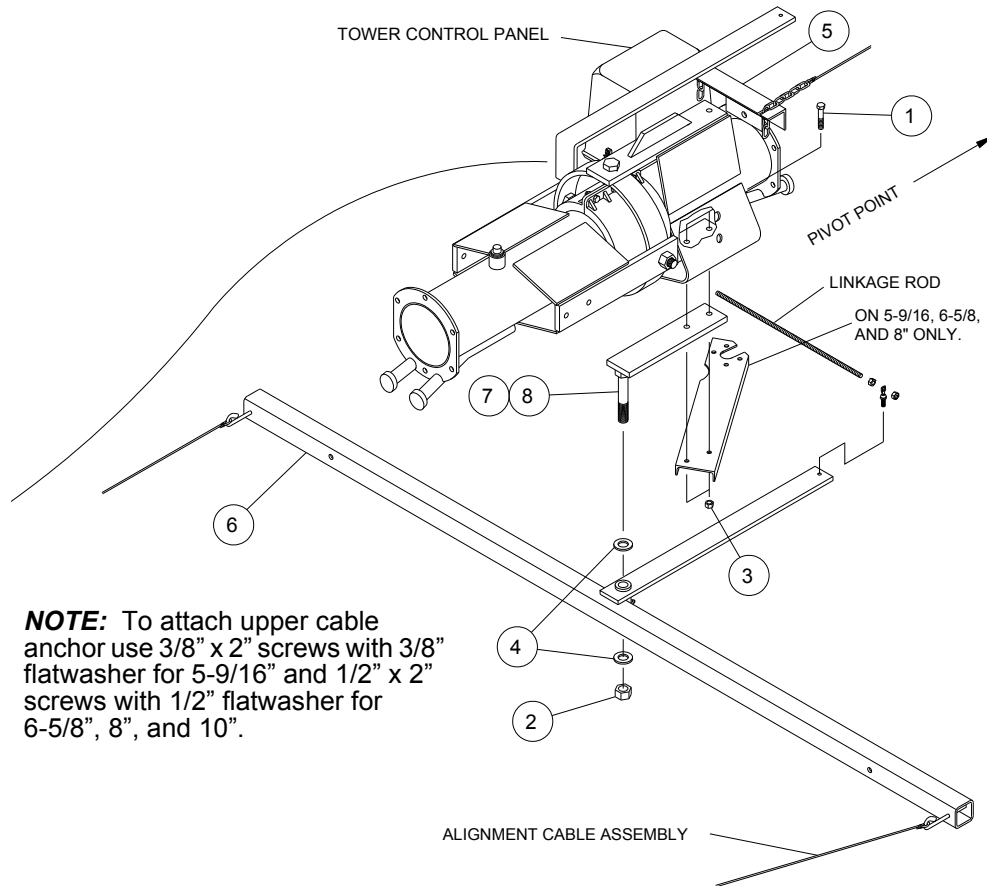
Ref.	Original Part No.	Substitute Part No.	Description
1	11-6482-1		Joint, Pivot End, 8", Stainless Steel
2	11-6515-8		Joint, Tower End, 8" w/Anchor, S.S.
3	03-1320-5		Rod, Linkage Control
4	03-6760-7		Mount, Tower Panel
5	03-7986-7		Panel, Tower Control, Std, 10 Wire
6	03-7987-5		Panel, Tower Control, N.L., 10 Wire
7	04-6814-0		Ring, 8", Octagon
8	06-0240-9		Nut, 5/16-24, Hex
9	06-0262-3		Nut, 5/16-18, Lock, Nylon Insert
10	06-0470-2		Joint, Ball, Quick Disconnect
11	06-0802-6		Screw, 5/16-18 x 1", Hex
12	06-0803-4		Screw, 3/8-16 x 1-1/2", Hex, Gr. 5
13	06-0822-4		Nut, 5/16-18, Hex
14	06-2087-2		Gasket, Boot, Zimmatic, 8"
15	06-2100-3		Coupler, Half, Zimmatic, Split, 8"
16	06-2417-1		Nut, 3/4-10, Lock
17	06-3419-6		Nut, 3/8-16, Flange, Toplock

Ref.	Original Part No.	Substitute Part No.	Description
18	06-3509-4		Plug, Drain, 20-75PSI, Multi-Prs. (Red)
19	06-4411-2		Joint, Adjuster, Ball Swivel
20	10-2876-0		Washer, Flat, 3/4"
21	11-1244-0		Nut, 1/4-28, Lock, Nylon Insert
22	11-3324-8		Plug, Drain, 50-150PSI, High-Prs (Wh)
23	11-3466-7		Plug, Drain, 5-30 PSI, Low-Prs. (Blk)
24	11-7705-4		Arm, Weldment, Alignment
25	11-7707-0		Pin, 3/4" Dia., Plated
26	11-7710-4		Screw, 3/4-10 x 2", Controlled
27	11-7712-0		Pin, Cotter, .125" x 1-3/4", Plated
28	03-2766-8		Kit, Tower Box Linkage Replacement (Items 8, 10, 19 and 21)
29	10-1726-8		Kit, Control Rod (Items 8, 19 and 21)
30	13-3038-0		Kit, Control Rod and Linkage (Items 3, 8, 19 and 21)
31	14-2643-0		Drain Assembly, Pivot (Optional)
32	06-2420-5		Nut, 3/8-16, Lock



# Pivot Joints

## Wire Alignment



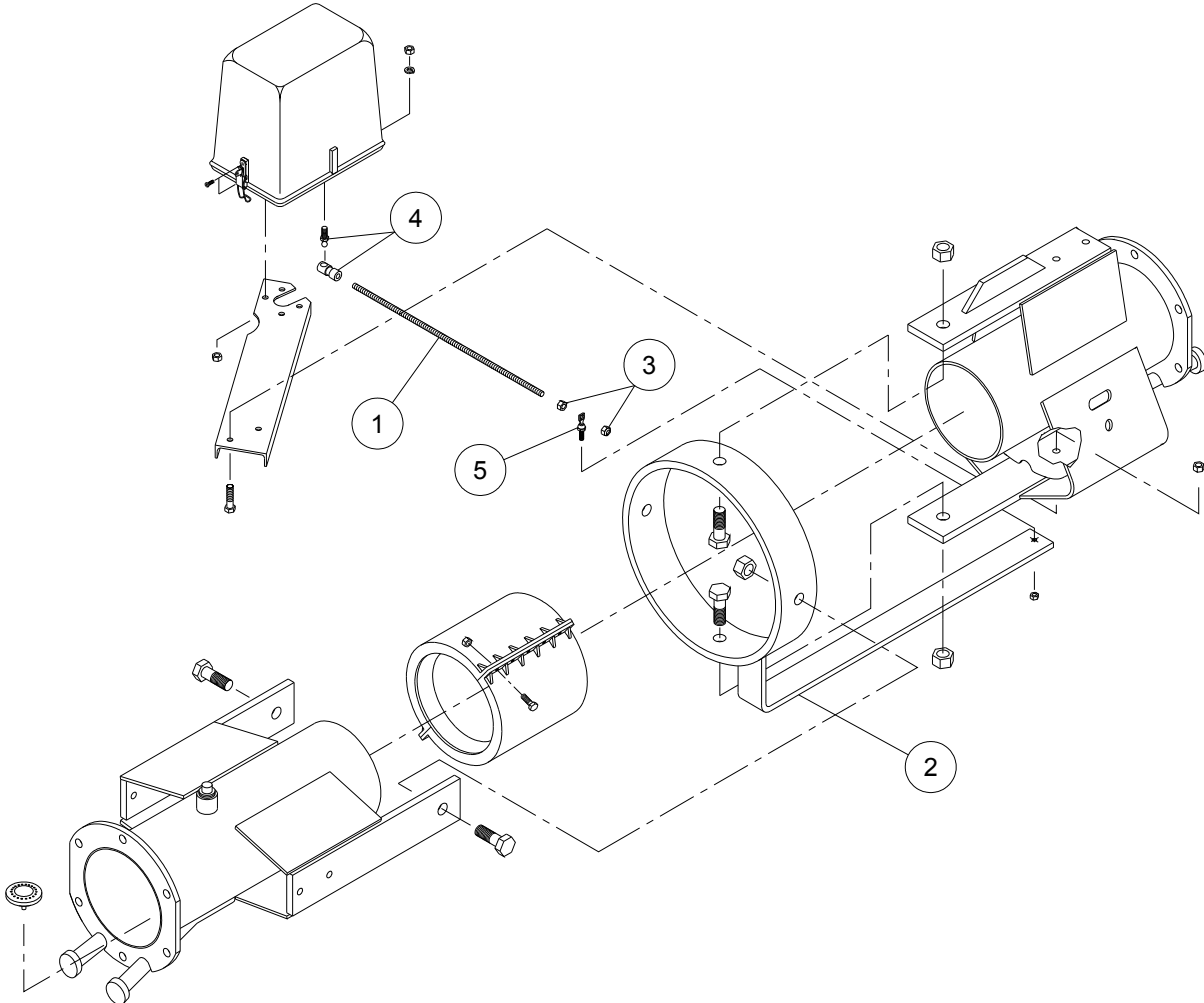
**NOTE:** To attach upper cable anchor use 3/8" x 2" screws with 3/8" flatwasher for 5-9/16" and 1/2" x 2" screws with 1/2" flatwasher for 6-5/8", 8", and 10".

Ref.	Original Part No.	Substitute Part No.	Description
1	06-1910-6		Screw, 3/8-16 x 2", Hex, Gr. 5
2	06-2417-1		Nut, 3/4-10, Lock
3	06-3419-6		Nut, 3/8-16, Flange, Toplock
4	06-4010-2		Washer, Flat, 3/4"
5	10-1551-0		Anchor, Align, Cable, Upper
6	10-1559-3		Arm Weldment, Wire Alignment
7	10-7621-5		Fulcrum Weldment, 5-9/16"
8	10-7619-9		Fulcrum Weldment, 6-5/8", 8", 10"
9	03-1018-5		Cable Assy, Align, 113' Span
10	14-8633-0		Cable Assy, Align, 113' Span, SS
11	06-4130-8		Cable Assy, Align, 135' Span
12	14-8634-0		Cable Assy, Align, 135' Span, SS
13	06-4129-0		Cable Assy, Align, 157' Span
14	14-8635-0		Cable Assy, Align, 157' Span, SS
15	11-4330-4		Cable Assy, Align, 168' Span
16	14-8636-0		Cable Assy, Align, 168' Span, SS
17	06-4131-6		Cable Assy, Align, 179' Span
18	14-8637-0		Cable Assy, Align, 179' Span, SS
19	11-4329-6		Cable Assy, Align, 186'8" Span
20	14-8638-0		Cable Assy, Align, 186'8" Span, SS
21	03-0375-0		Cable Assy, Align, 201' Span
22	14-8639-0		Cable Assy, Align, 201' Span, SS



# Pivot Joints

## Standard System Alignment

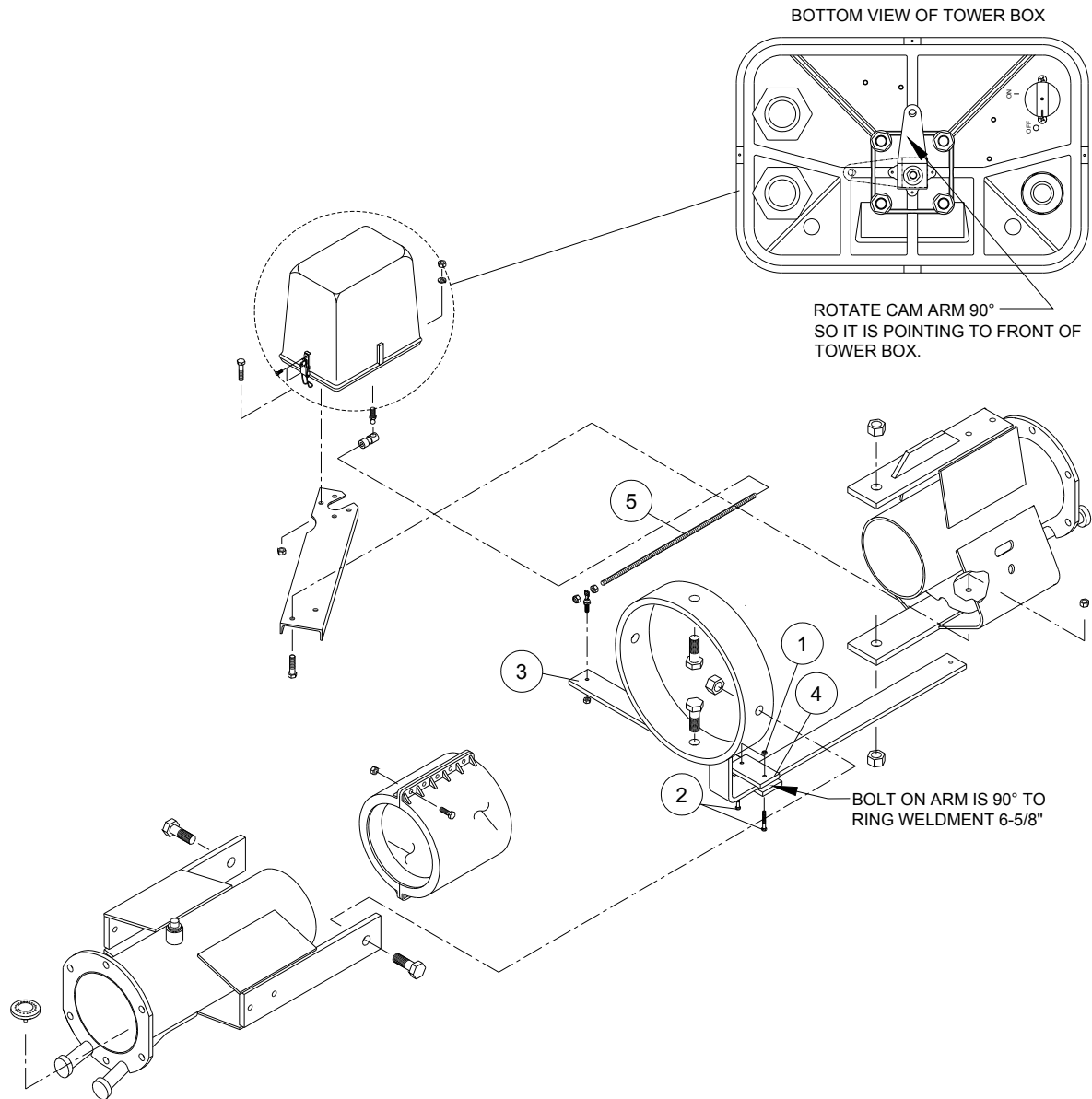


Ref.	Original Part No.	Substitute Part No.	Description
1	03-1320-5		Rod, Linkage Control
2	04-6758-9		Ring, 6-5/8 Alignment
3	06-0240-9		Nut, 5/16-24, Hex
4	06-0470-2		Joint, Ball, Quick Disconnect
5	06-4411-2		Joint, Adjuster, Ball Swivel



# Pivot Joints

## Advanced System Alignment (Option)

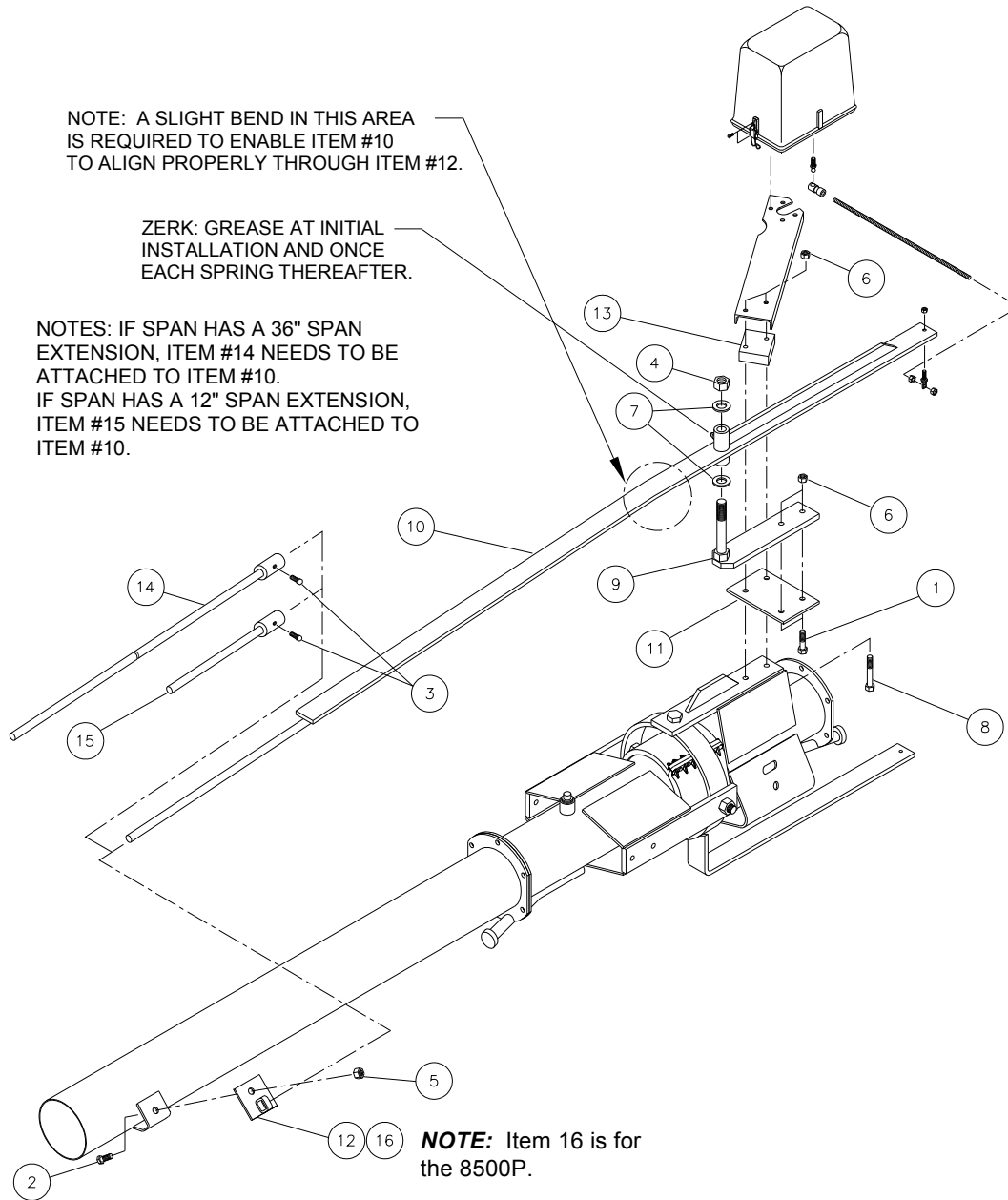


Ref.	Part No.	Description
1	06-0262-3	Nut, 5/16-18, Lock, Nylon Insert
2	06-3146-5	Screw, 5/16-18 x 1-1/2", Hex, Gr. 5
3	13-4639-0	Arm, Alignment, Bolt-On
4	13-4640-0	Clamp, Alignment Arm
5	13-5370-0	Rod, Linkage Con., 5/16-24 x 24", SS



# Pivot Joints

## Long System Alignment (Non-Wire)



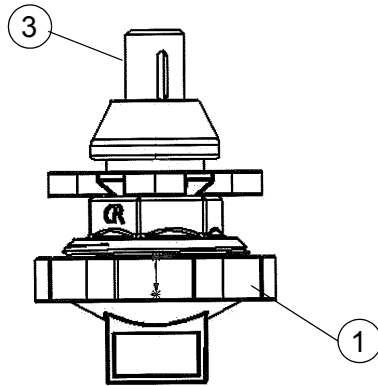
Ref.	Original Part No.	Substitute Part No.	Description
1	06-0803-4		Screw, 3/8"-16 x 1-1/2", Hex, Gr. 5
2	06-0804-2		Screw, 1/2-13 x 1-1/4", Hex, Gr. 5
3	06-2198-7		Screw, 3/8-16 x 3/4", Hex, Gr. 5
4	06-2417-1		Nut, 3/4-10, Lock
5	06-2418-9		Nut, 1/2-13, Lock
6	06-2420-5		Nut, 3/8-16, Lock
7	06-4010-2		Washer, Flat, 3/4"
8	10-7375-8		Screw, 3/8-16 x 3", Hex, Gr. 5

Ref.	Original Part No.	Substitute Part No.	Description
9	10-7621-5		Fulcrum, Weldment, 5-9/16"
10	11-1789-4		Bar, Alignment, Non-Wire
11	11-3316-4		Mount Plate, Non-Wire
12	11-3384-2		Anchor, Non-Wire
13	11-3385-9		Spacer, Non-Wire
14	11-4338-7		Ext., Alignment Arm, 36"
15	11-4339-5		Ext., Alignment Arm, 12"
16	13-8863-0		Anchor, Non-Wire, 8500P



# Pivot Joints

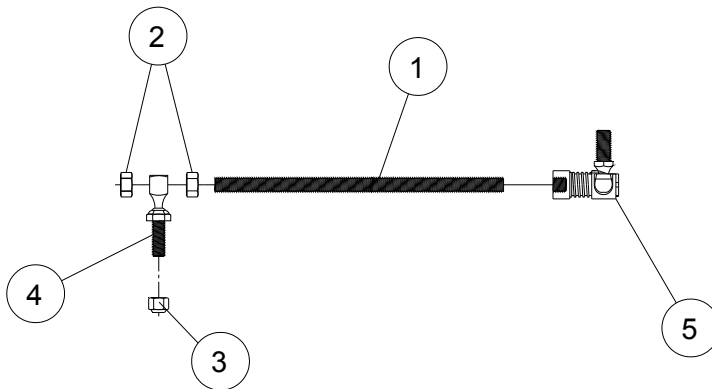
## Optional Drain, 14-2643-0



**NOTE:** Item 2 not shown

Ref.	Original Part No.	Substitute Part No.	Description
1	14-2644-0		Cap, Drain
2	14-2645-0		Gasket, Rubber Star
3	14-2646-0		Body, Drain
4	14-2643-0		Drain Assembly, Pivot (Items 1 thru 3)

## Stainless Steel Tower Control Components

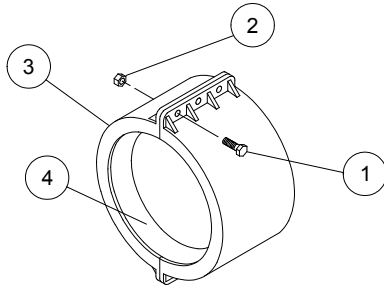


Ref.	Original Part No.	Substitute Part No.	Description
1	03-1320-5		Rod, Linkage Control, 5/16-24 x 16", Stainless Steel
2	06-0240-9		Nut, 5/16-24, Hex, Stainless Steel
3	11-1244-0		Nut, 1/4-28, Lock, Nylon
4	11-6161-1		Joint A., Ball, Swivel, 1/4-28 x 3/4", Stainless Steel
5	11-6162-9		Joint, Ball, Quick Disconnect, Stainless Steel
6	11-8284-8		Kit, Tower Box Linkage, S.S. (Items 2 thru 5)
7	13-3204-0		Kit, Control Rod and Linkage, S.S. (Items 1 thru 5)



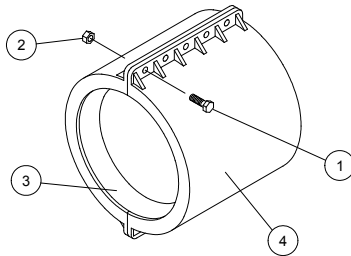
# Pivot Joints

## Split Coupler, 5-9/16"



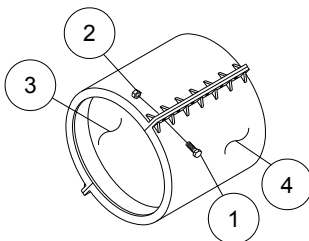
Ref.	Original Part No.	Substitute Part No.	Description
1	06-0802-6		Screw, 5/16-18 x 1", Hex
2	06-0822-4		Nut, 5/16-18, Hex
3	06-3256-2		Coupler, 5-9/16", Split x 6" Long
4	06-3257-0		Gasket, Boot, Zim, 5-9/16 x 5.63 Lg

## Coupler, Split, 6-5/8"



Ref.	Original Part No.	Substitute Part No.	Description
1	06-0802-6		Screw, 5/16-18 x 1", Hex
2	06-0822-4		Nut, 5/16-18, Hex
3	06-4490-6		Gasket, Boot, Zim, 6-5/8" x 7.12" Lg
4	06-4491-4		Coupler, Half, Zim, 6-5/8 x 7-1/2"

## Coupler, Split, 8"



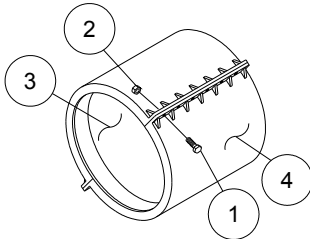
Ref.	Original Part No.	Substitute Part No.	Description
1	06-0802-6		Screw, 5/16-18 x 1", Hex
2	06-0822-4		Nut, 5/16-18, Hex
3	06-2087-2		Gasket, Boot, Zim, 8" x 8-3/8" Long



# Pivot Joints

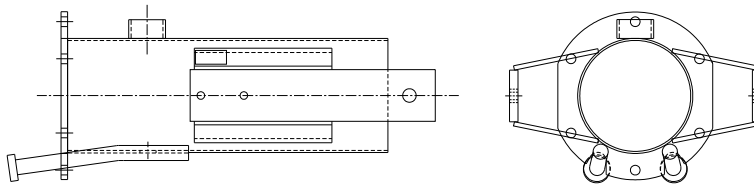
4	06-2100-3		Coupler, Half, 8" x 8-3/4"
---	-----------	--	----------------------------

## Coupler, Split, 8-5/8"

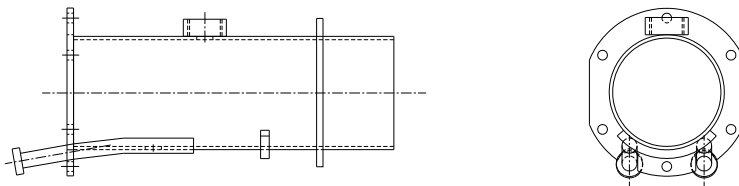


Ref.	Original Part No.	Substitute Part No.	Description
1	06-0802-6		Screw, 5/16-18 x 1", Hex
2	06-0822-4		Nut, 5/16-18, Hex
3	14-4313-0		Gasket, Boot, Zim, 8-5/8" x 8-3/8" Long
4	14-4314-0		Coupler, Half, 8-5/8" x 8-3/4"

## Joint, Pivot End, 6-5/8" w/2" Outlet, Volume Gun, Wastewater



11-0117-9 JOINT, PIVOT, END, SOLID



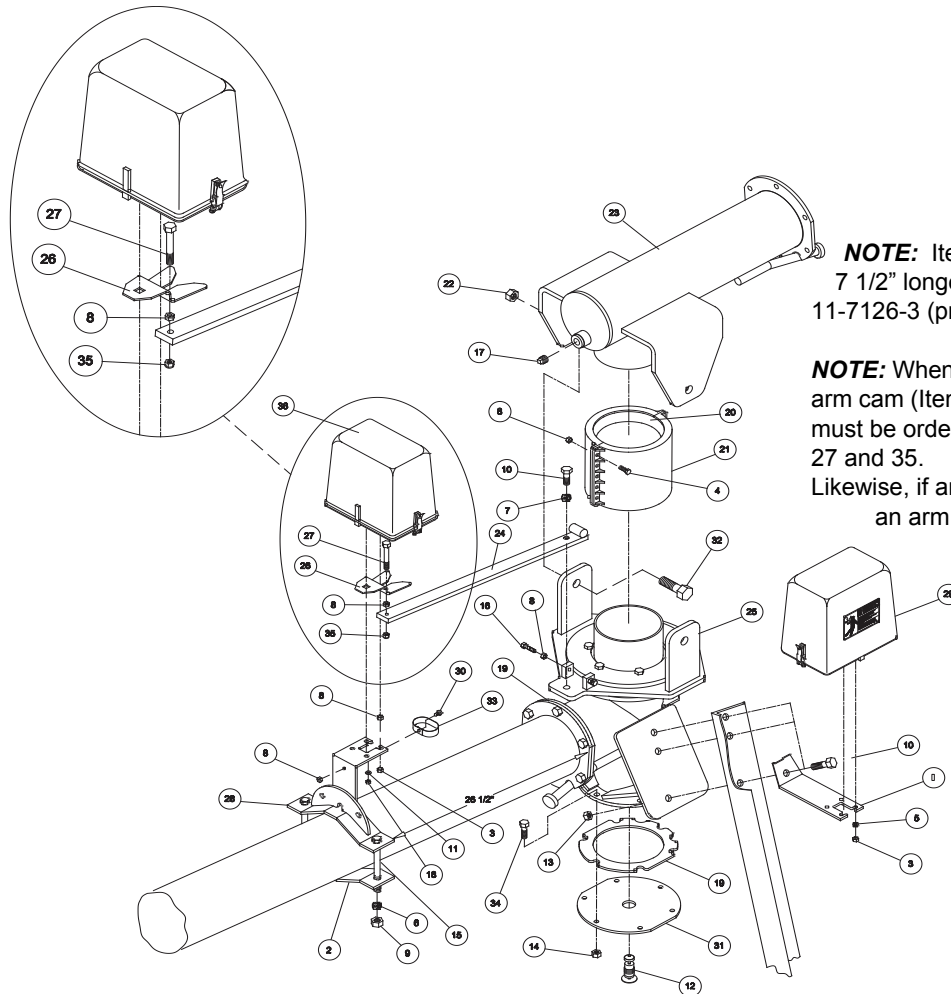
11-0118-7 JOINT, PIVOT, END, SWIVEL

Ref.	Original Part No.	Substitute Part No.	Description
1	11-0117-9		Joint, Pivot End, Solid, 6-5/8" w/2" Outlet
2	11-0118-7		Joint, Pivot End, Swivel, 6-5/8" w/2" Outlet



# Pivot Joints

## Joint Assembly, FieldPLUS



**NOTE:** Item 23, 14-2258-0 is 7 1/2" longer than previous joint, 11-7126-3 (prior to 10-10-08).

**NOTE:** When ordering a replacement arm cam (Item 26), a new alignment arm must be ordered (Item 24) with Items 8, 27 and 35. Likewise, if an alignment arm is ordered, an arm cam must also be ordered.

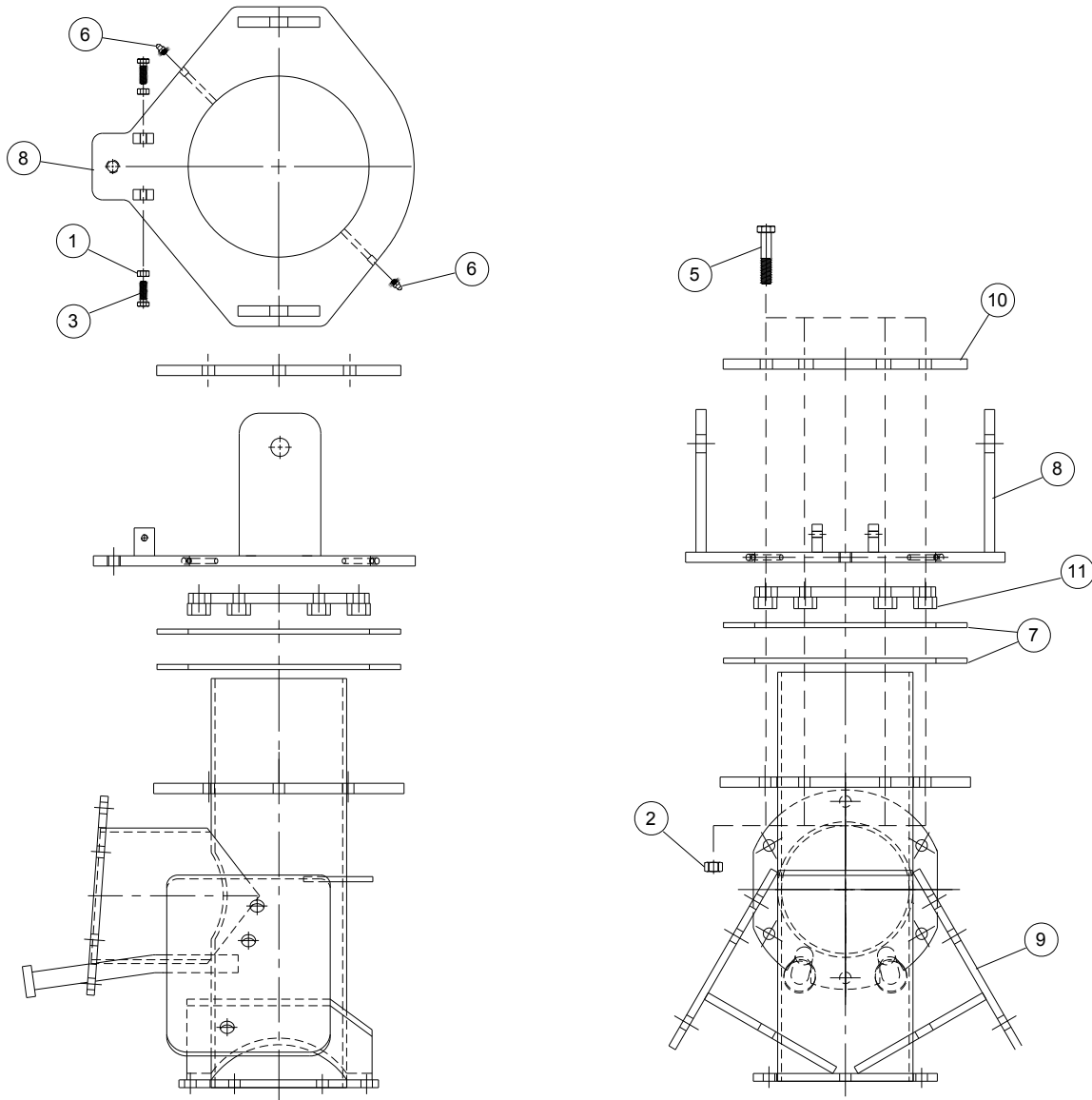
Ref.	Original Part No.	Substitute Part No.	Description
1	04-0900-3		Mount, Booster Pump Panel
2	04-7243-1		Clamp, Saddle, 5-9/16", 6-5/8", 8"
3	06-0262-3		Nut, 5/16-18, Lock, Nylon Insert
4	06-0802-6		Screw, 5/16-18 x 1", Hex,
5	06-0812-5		Washer, Lock, 5/16"
6	06-0814-1		Washer, Lock, 1/2"
7	06-0815-8		Washer, Lock, 5/8"
8	06-0822-4		Nut, 5/16-18, Hex
9	06-0824-0		Nut, 1/2-13, Hex
10	06-0839-8		Screw, 5/8-11 x 1-1/2", Hex, Gr. 5
11	06-0842-2		Washer, Flat, 1/4"
12	06-2070-8		Valve, Drain, 1"
13	06-2416-3		Nut, 5/8-11, Lock
14	06-2418-9		Nut, 1/2-13, Lock
15	06-3070-7		Screw, 1/2-13 x 5-1/2", Hex, Gr. 5
16	06-3358-6		Screw, 5/16-18 x 1-1/4", Hex, Gr. 5
17	06-3875-9		Plug, Pipe, Sq. Head, 1", Black
18	06-4267-8		Nut, 1/4-20, Lock, Nylon Insert

Ref.	Original Part No.	Substitute Part No.	Description
19	06-4486-4		Gasket, Flange, 6-5/8" Pipe
20	06-4490-6		Gasket, Boot, Zim, 6-5/8" x 7.12", Lg
21	06-4491-4		Coupler Half, 6-5/8" x 7-1/2" Long
22	11-0024-7		Nut, 7/8-9, Lock, Nylon Insert
23	14-2258-0		Joint, Pivot End, Piv. Twr., Style 2
24	11-7131-3		Arm, Alignment, Pivoting Tower
25	11-7156-0		Joint Assembly, Pivoting Tower
26	1603388		Arm, Cam, Field + Tower Panel
27	11-4322-1		Screw, 5/16-18x3, HX, GR5, ZP
28	11-7316-0		Bracket, Weldment, Panel
29	11-7931-6		Panel, Junction, Pivoting Tower
30	12-0249-0		Screw, 5/16-18 x 1/2", Hex, Gr. 5
31	12-1695-0		Cap Weldment w/1" Coupling
32	12-2404-0		Screw, 7/8-9 x 2-1/4", Hex, Gr. 5
33	13-8456-0		Spring, Cam, FieldPLUS
34	26-0760-4		Screw, 1/2-13 x 1-1/2", Hex, Gr. 5
35	06-4364-3		Nut, 5/16-18, Lock
36	1609914		Panel, Tower, Ctrl, FieldPLUS



# Pivot Joints

## Joint Assembly, FieldPLUS

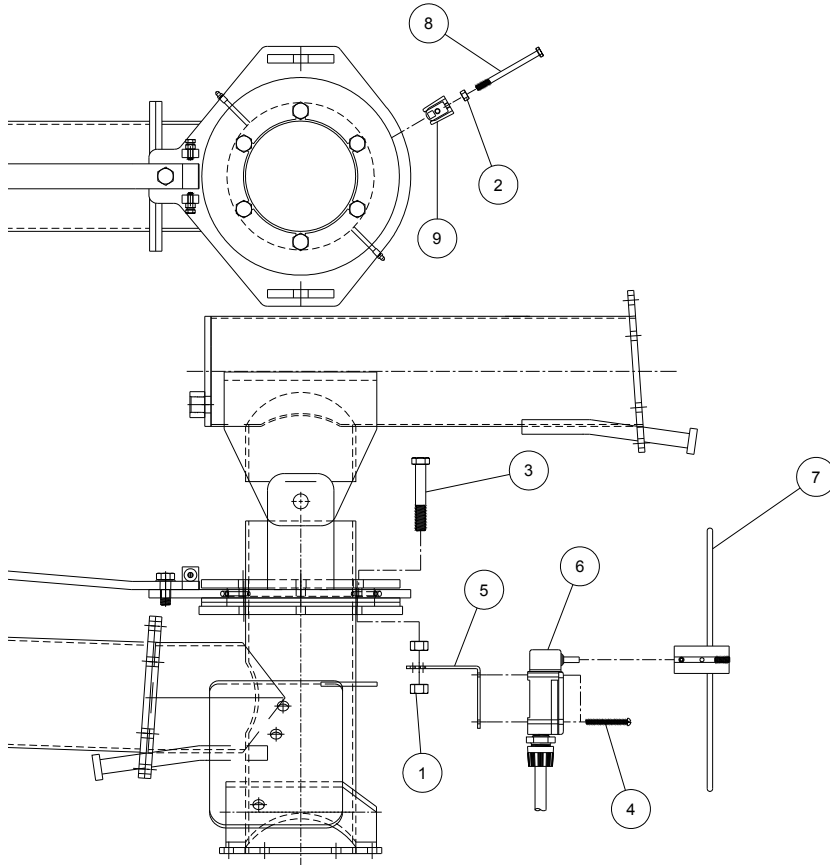


Ref.	Original Part No.	Substitute Part No.	Description
1	06-0822-4		Nut, 5/16-18", Hex
2	06-2418-9		Nut, Lock, 1/2-13
3	06-3358-6		Screw, 5/16-18 x 1-1/4", Hex, Gr. 5
4	10-3135-0		JD, Grease, Multi-Purpose
5	10-5771-0		Screw, 1/2-13 x 3", Hex, Gr. 8
6	11-0470-2		Zerk, 5/16", Drive-In
7	11-7139-6		Bearing, Joint Assembly
8	11-7141-2		Coupler Bar Weldment, Vertical
9	11-7145-3		Joint Weldment, Pivoting Tower
10	11-7148-7		Plate, Holding
11	12-2781-0		Weldment, Centering Flange



# Pivot Joints

## FieldPLUS with End Gun Control

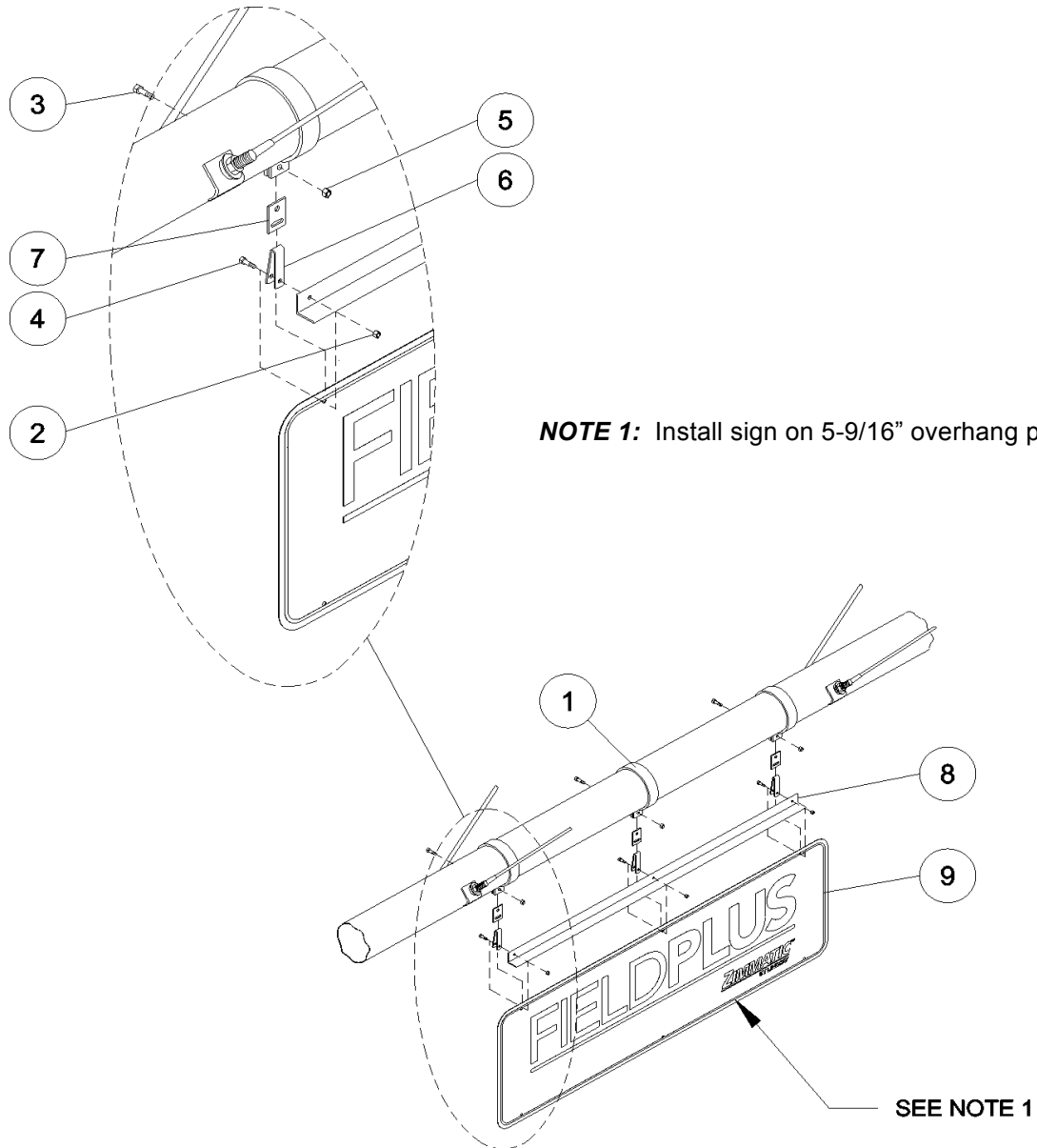


Ref.	Original Part No.	Substitute Part No.	Description
1	06-0824-0		Nut, 1/2-13, Hex
2	06-0841-4		Nut, 1/4-20, Hex
3	06-2307-4		Screw, 1/2-13 x 3-1/4" Hex
4	06-4339-5		Screw, 10-24 x 2", Sl. Round Head
5	10-4586-3		Mount, Switch, End Gun
6	10-4591-3		Switch Assembly, End Gun
7	10-4592-1		Actuator, Limit Switch, 360°
8	11-6080-3		Screw, 1/4-20 x 3-1/2", Hex
9	14-0287-0		Clamp, End Gun



# Pivot Joints

## Installation, Overhang Sign Assembly, FieldPLUS



Ref.	Original Part No.	Substitute Part No.	Description
1	3-0177-0		Strap, Sign Mount, 5-9/16"
2	6-2419-7		Nut, 1/4-20, Lock
3	6-3358-6		Screw, 5/16-18 x 1-1/4", Hex, Gr. 5
4	6-3936-9		Screw, 1/4-20 x 1", Hex, Gr. 5
5	6-4364-3		Nut, 5/16-18, Lock
6	10-7379-0		Clevis, Sign
7	10-7380-8		Hanger, Sign
8	10-9598-3		Bracket, Sign
9	16-0018-3		Sign, Overhang, FieldPLUS

# Pivot Joints

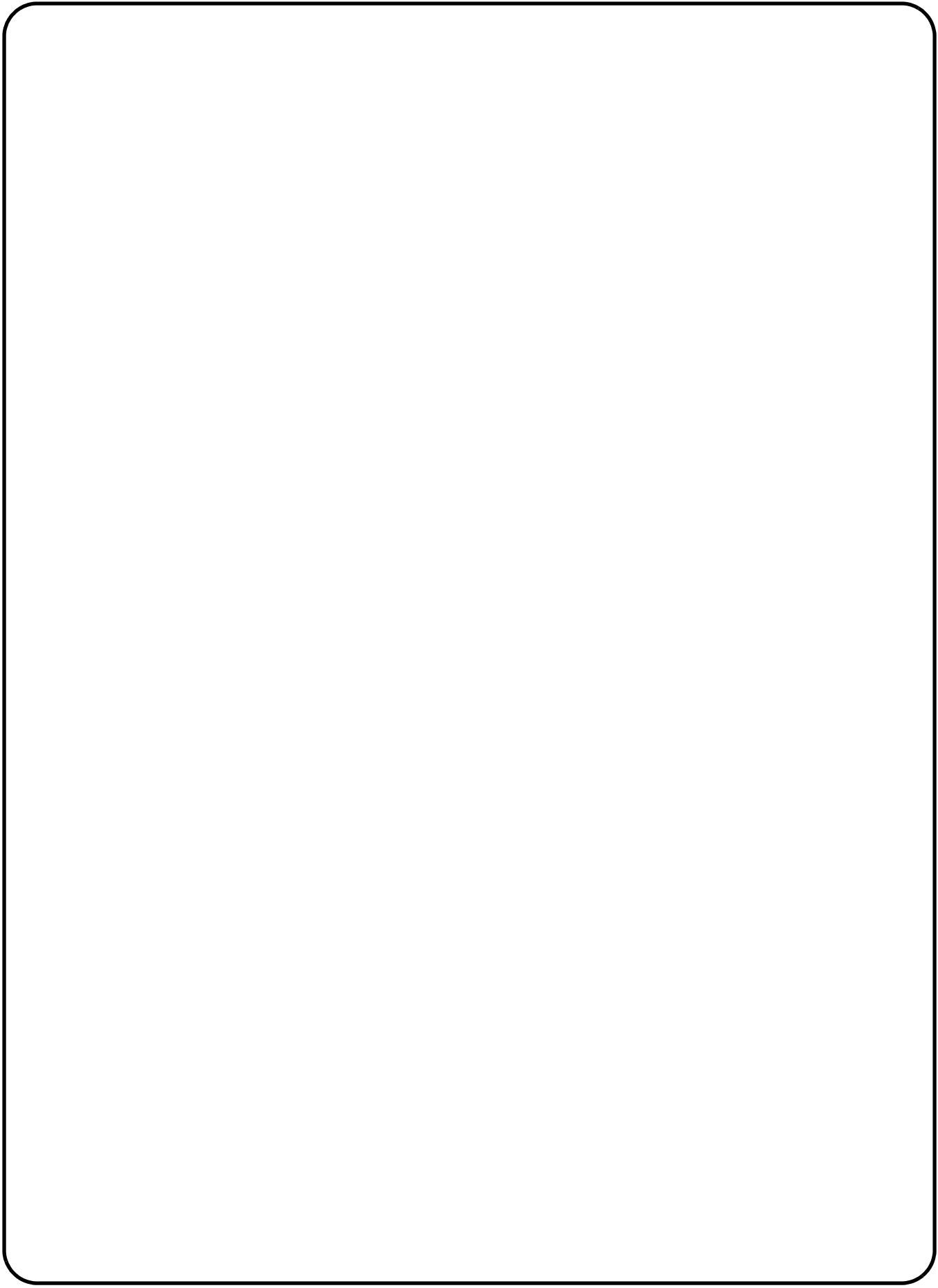


This page is left blank intentionally



## Table of Contents

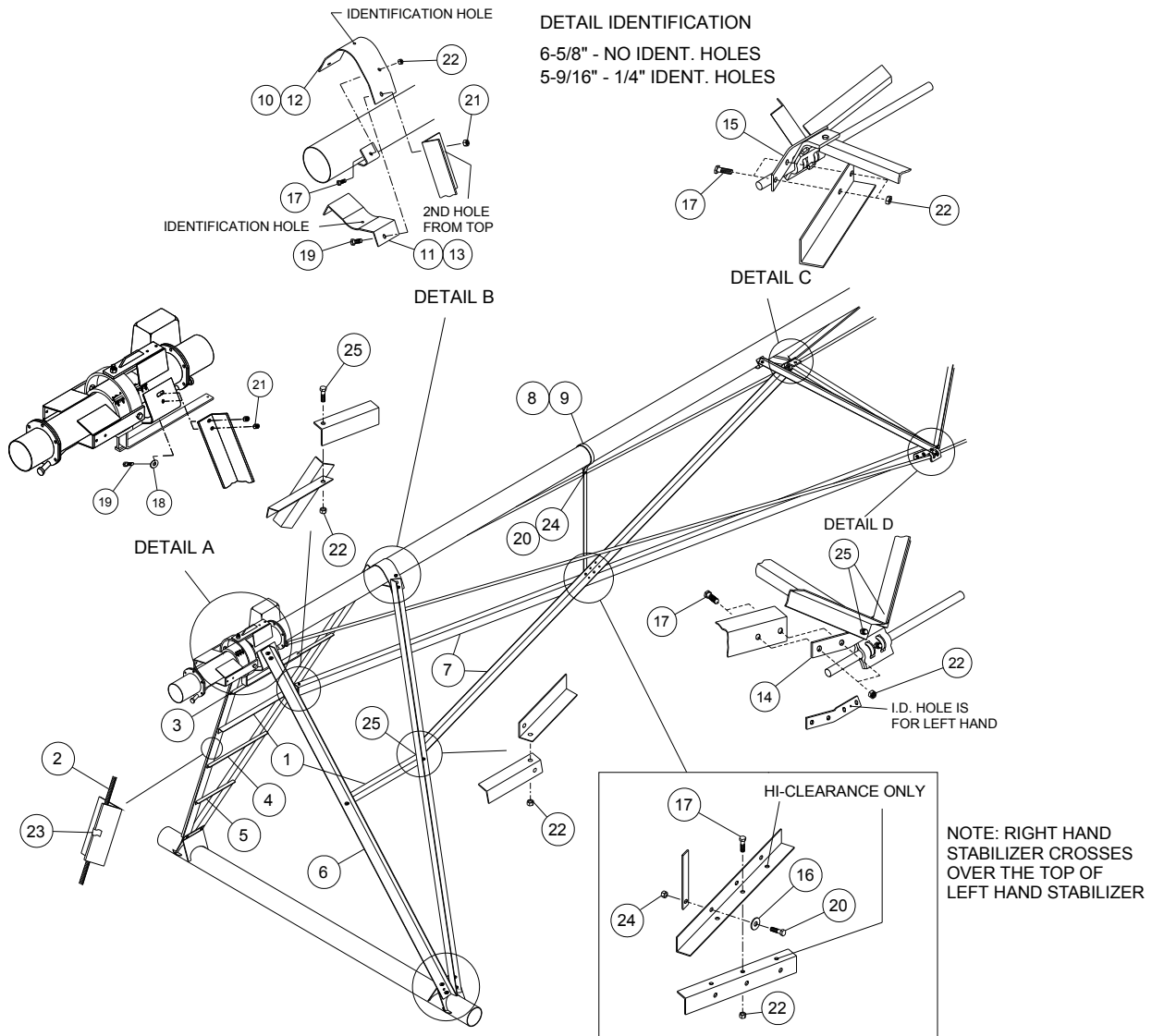
<b>Tower/Drive Tube Assembly</b> .....	F-3
Tower Assembly, 6-5/8" and 5-9/16" (Beginning 1996) .....	F-3
Tower Legs and Stabilizer Angles, 6-5/8", 8500P .....	F-5
Tower Assembly, 8", 8-5/8" and 10" .....	F-7
Tower Assembly, 8", 8-5/8" and 10" (cont'd.).....	F-8
Tower Assembly, Low Profile.....	F-9
Medium Clearance Tower, Non-Tow .....	F-10
Tower Legs Attachment Details , 6-5/8", 8", 8-5/8" .....	F-11
High Clearance Tower, Non-Tow .....	F-12
Tower Assembly, High Clearance, Tow/Non-Tow.....	F-13
Tower Assembly, Super High Clearance.....	F-15
Water Drive Assembly .....	F-17
Auto Reverse w/Stop, Any Tower, 10-0242-7 (Jan. 2002 - Present).....	F-22
Auto Reverse w/Stop, Super High Clearance.....	F-23
Barricade Installation (Sept. 2005 - Present).....	F-24
Drive Tube Assembly, Towable .....	F-25
Drive Tube Assembly, Non-Towable.....	F-26
Drive Tube Assembly - Non-Towable, 8500P .....	F-27
Drive Tube Assembly, 3 Wheel .....	F-28
Drive Tube Assembly, 3 Wheel with 2 Wheel Hardware .....	F-29
Drive Conversion, 3 to 4 Wheel.....	F-30
Driveline Replacement Parts.....	F-31
Wheel, Weld in Center Hub.....	F-31
Wheel Assemblies .....	F-32
Rims .....	F-32
NFTRAX .....	F-33
Tires .....	F-34
Tubes .....	F-34
Valves .....	F-34
Cable, Electric, 4#14 .....	F-34
Cattle Protector.....	F-35
Safety Decals, Tower.....	F-36





# F Tower/Drive Tube Assembly

## Tower Assembly, 6-5/8" and 5-9/16" (Beginning 1996)



Ref.	Original Part No.	Substitute Part No.	Description
1	03-0513-6		Tie, Tower, Stab. Attachment
2	03-1190-2		Cable, Electric, 4#14 x 18' 4"
3	03-2344-4		Tie, Tower, Top
4	03-2346-9		Tie, Tower, 2nd From Bottom
5	03-2347-7		Tie, Tower, Bottom
6	03-6741-7		Leg, Tower
7	03-6743-3		Angle, Stabilizer
8	03-6748-2		Support, Stabilizer, 5-9/16"
9	03-6749-0		Support, Stabilizer, 6-5/8"
10	03-6751-6		Clamp, Upper Half, 6-5/8" Leg
11	03-6752-4		Clamp, Lower Half, 6-5/8" Leg
12	03-6753-2		Clamp, Upper Half, 5-9/16" Leg
13	03-6754-0		Clamp, Lower Half, 5-9/16" Leg
14	04-0295-8		Tie, Stabilizer Angle, Left

Ref.	Original Part No.	Substitute Part No.	Description
15	04-0348-5		Tie, Stabilizer Angle, Right
16	06-0250-8		Washer, Flat, 3/8"
17	06-0804-2		Screw, 1/2-13 x 1-1/4", Hex, Gr. 5
18	06-0818-2		Washer, Flat, 5/8"
19	06-0839-8		Screw, 5/8-11 x 1 1/2", Hex, Gr. 5
20	06-2221-7		Screw, 3/8-16 x 1", Hex, Gr. 5
21	06-2416-3		Nut, 5/8-11, Lock
22	06-2418-9		Nut, 1/2-13, Lock
23	06-2515-2		Clip, Speed, "S"
24	06-3419-6		Nut, 3/8-16, Flange, Toplock
25	26-0760-4		Screw, 1/2-13 x 1-1/2", Hex, Gr. 5
26	03-0760-3		Kit, Span, Stabilizer Hardware (Items 14, 15, 16, 22 and 25)
27	13-6460-0		Bundle, Tower Ties (Items 1,3,4 5)

# Tower/Drive Tube Assembly

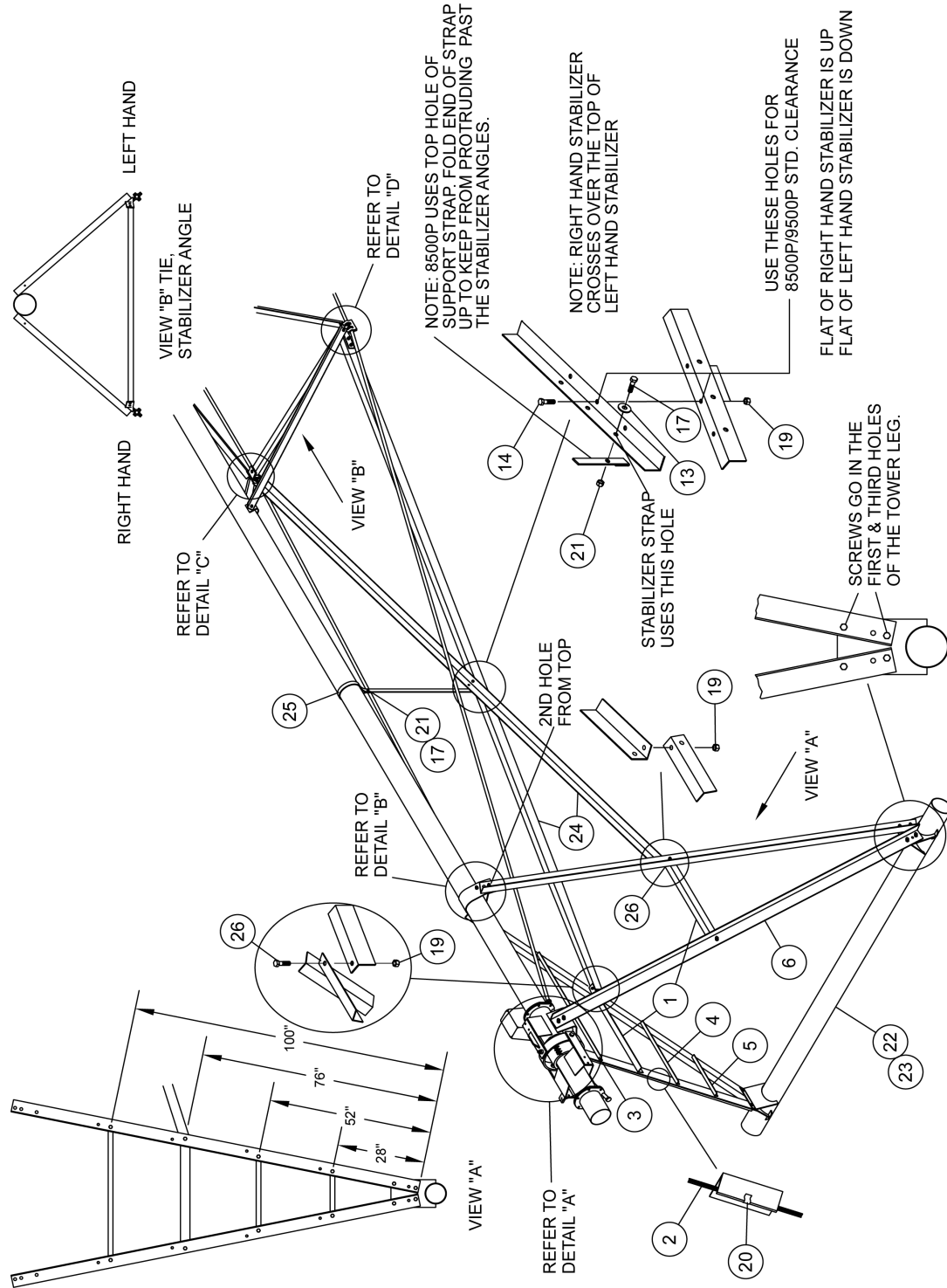


This page is left blank intentionally



# Tower/Drive Tube Assembly

## Tower Legs and Stabilizer Angles, 6-5/8", 8500P



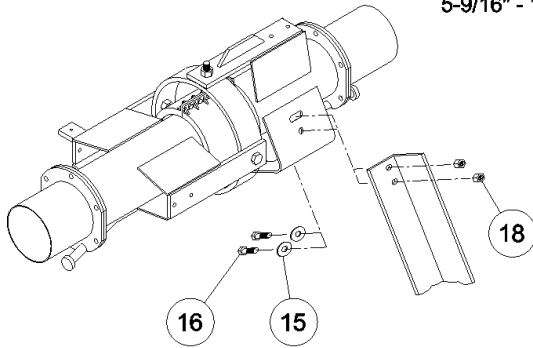


# Tower/Drive Tube Assembly

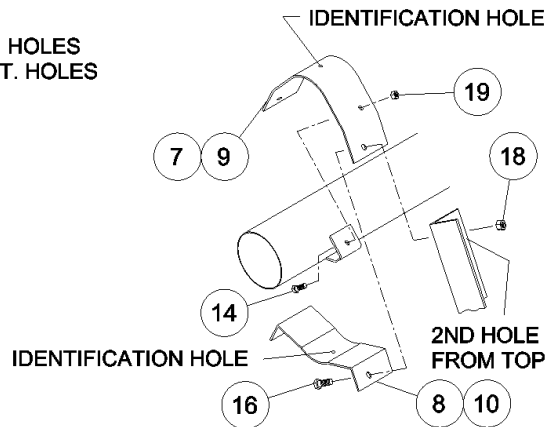
## Tower Legs and Stabilizer Angles, 6-5/8", 8500P (cont'd.)

### IDENTIFICATION

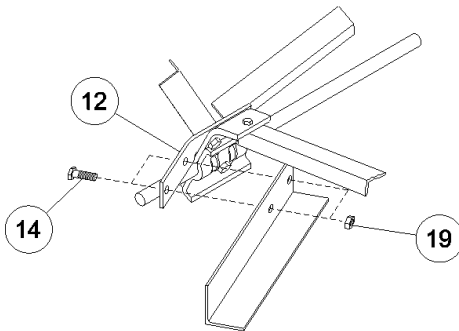
6-5/8" - NO IDENT. HOLES  
5-9/16" - 1/4" IDENT. HOLES



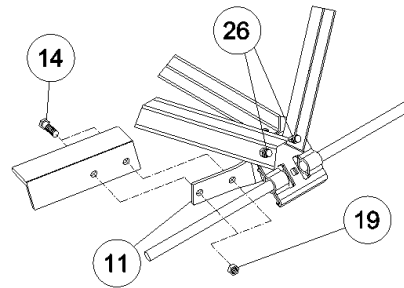
DETAIL "A"



DETAIL "B"



DETAIL "C"



DETAIL "D"

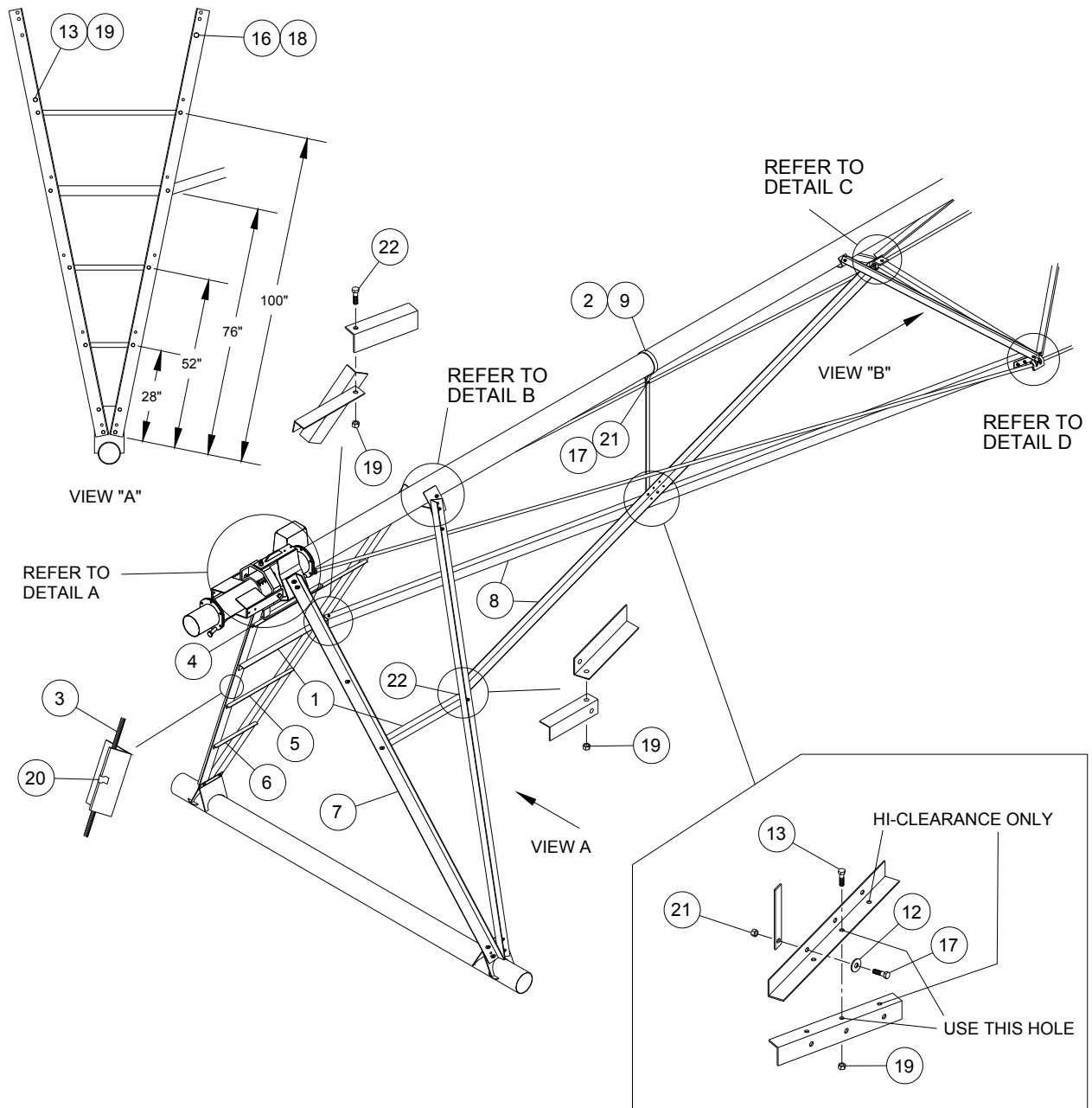
Ref.	Part No.	Description
1	3-0513-6	Tie, Tower, Stabilizer Attachment
2	3-1190-2	Cable, Electric, 4#14 x 18' 4"
3	3-2344-4	Tie, Tower, Top, 44-3/8"
4	3-2346-9	Tie, Tower, 2nd From Bottom, 25-1/4"
5	3-2347-7	Tie, Tower, Bottom, 15-3/4"
6	3-6741-7	Leg, Tower, 11'
7	3-6751-6	Clamp, Upper Half, 6-5/8" Leg
8	3-6752-4	Clamp, Lower Half, 6-5/8" Leg
9	3-6753-2	Clamp, Upper Half, 5-9/16" Leg
10	3-6754-0	Clamp, Lower Half, 5-9/16" Leg
11	4-0295-8	Tie, Stabilizer Angle, Left, 10-13/16"
12	4-0348-5	Tie, Stabilizer Angle, Right, 10-13/16"
13	6-0250-8	Washer, Flat, 3/8"

Ref.	Part No.	Description
14	6-0804-2	Screw, 1/2-13 x 1-1/4", Hex, Gr. 5
15	6-0818-2	Washer, Flat, 5/8"
16	6-0839-8	Screw, 5/8-11 x 1 1/2", Hex, Gr. 5
17	6-2221-7	Screw, 3/8-16 x 1", Hex, Gr. 5
18	6-2416-3	Nut, 5/8-11, Lock
19	6-2418-9	Nut, 1/2-13, Lock
20	6-2515-2	Clip, Speed, "S"
21	6-3419-6	Nut, 3/8-16, Flange, Toplock
22	13-3064-0	Frame, Drivetube, Solid, 8500P
23	13-3065-0	Frame, Drivetube, Swivel, 8500P
24	3-6743-3	Angle, Stabilizer, 19' 4-1/2"
25	03-6749-0	Support, Stabilizer, 6-5/8", H.T.H-55,
26	26-0760-4	Screw, 1/2-13 x 1-1/2", Hex, Gr. 5



# Tower/Drive Tube Assembly

Tower Assembly, 8", 8-5/8" and 10"



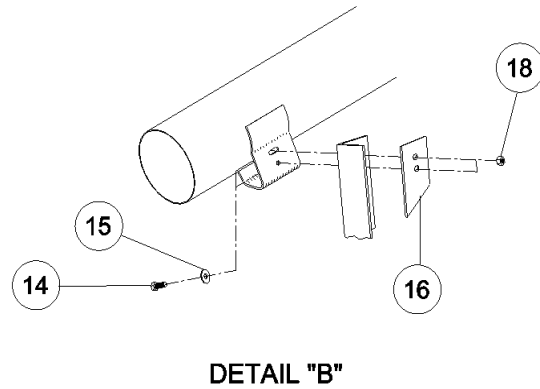
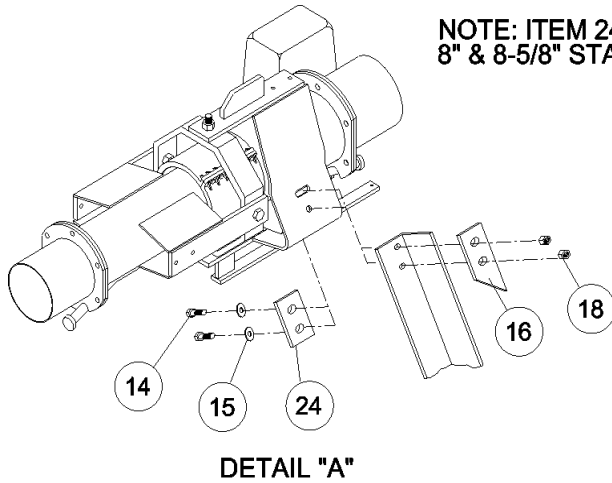
NOTE: RIGHT HAND STABILIZER CROSSES OVER THE TOP OF LEFT HAND STABILIZER



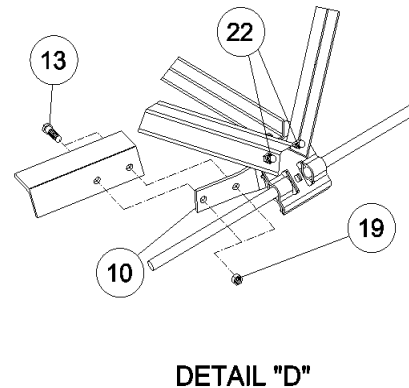
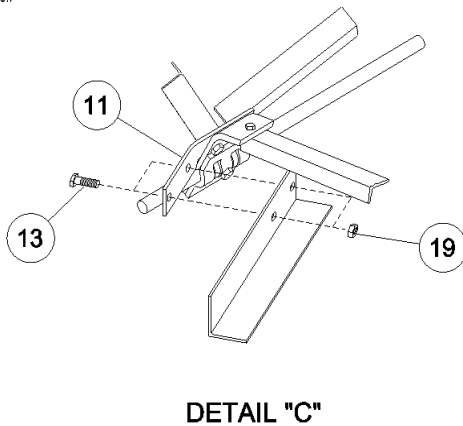
# Tower/Drive Tube Assembly

## Tower Assembly, 8", 8-5/8" and 10" (cont'd.)

NOTE: ITEM 24 IS ONLY USED ON 8" & 8-5/8" STAINLESS STEEL JOINTS



1120606-017



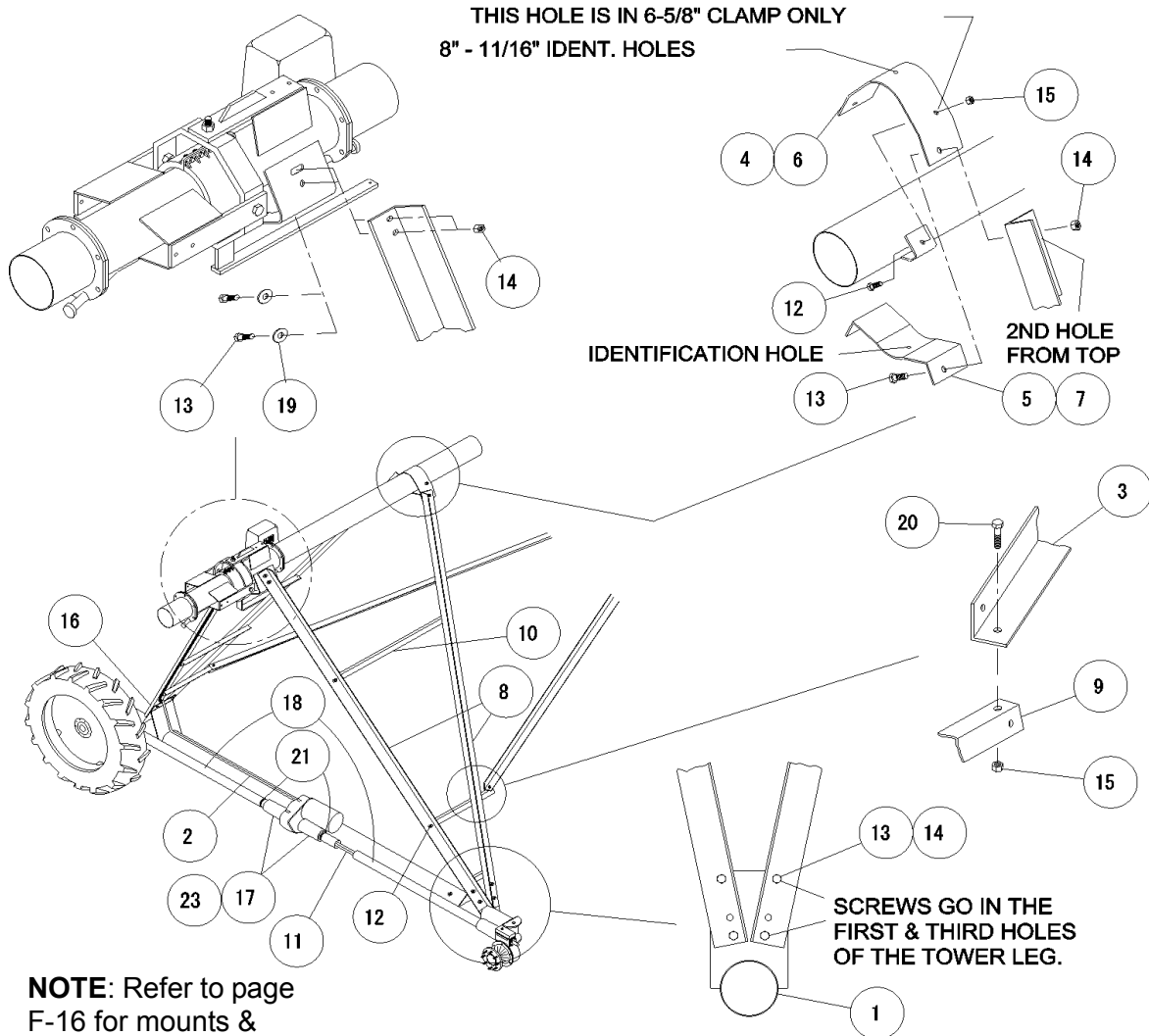
Ref.	Original Part No.	Substitute Part No.	Description
1	03-0513-6		Tie, Tower, Stab. Attach., 36-3/4"
2	03-1013-6		Support, Stabilizer, 10"
3	03-1190-2		Cable, Electric, 4#14 x 18'4"
4	03-2344-4		Tie, Tower Top, 44-3/8"
5	03-2346-9		Tie, Tower, 2nd Frm Bottom, 25-1/4"
6	03-2347-7		Tie, Tower, Bottom, 15-3/4"
7	03-6741-7		Leg, Tower, 11'
8	03-6743-3		Angle, Stabilizer, 19' 4-1/2"
9	03-6750-8		Support, Stabilizer, 8"
10	04-0295-8		Tie, Stab. Angle, Left, 10-13/16"
11	04-0348-5		Tie, Stab. Angle, Right, 10-13/16"
12	06-0250-8		Washer, Flat, 3/8"
13	06-0804-2		Screw, 1/2-13 x 1-1/4", Hex, Gr. 5

Ref.	Original Part No.	Substitute Part No.	Description
14	06-0807-5		Screw, 5/8-11 x 2", Hex, Gr. 5
15	06-0818-2		Washer, Flat, 5/8"
16	16-0012-0		Washer, Tower Leg
17	06-2221-7		Screw, 3/8-16 x 1", Hex, Gr. 5
18	06-2416-3		Nut, 5/8-11, Lock
19	06-2418-9		Nut, 1/2-13, Lock
20	06-2515-2		Clip, Speed, "S"
21	06-3419-6		Nut, 3/8-16, Flange, Toplock
22	26-0760-4		Screw, 1/2-13 x 1-1/2", Hex, Gr. 5
23	03-0760-3		Kit, Span, Stabilizer Hardware (Items 10, 11, 12, 19 and 22)
24	13-6460-0		Bundle, Tower Ties (Items 1, 4, 5 and 6)



# Tower/Drive Tube Assembly

## Tower Assembly, Low Profile



**NOTE:** Refer to page F-16 for mounts & couplers.

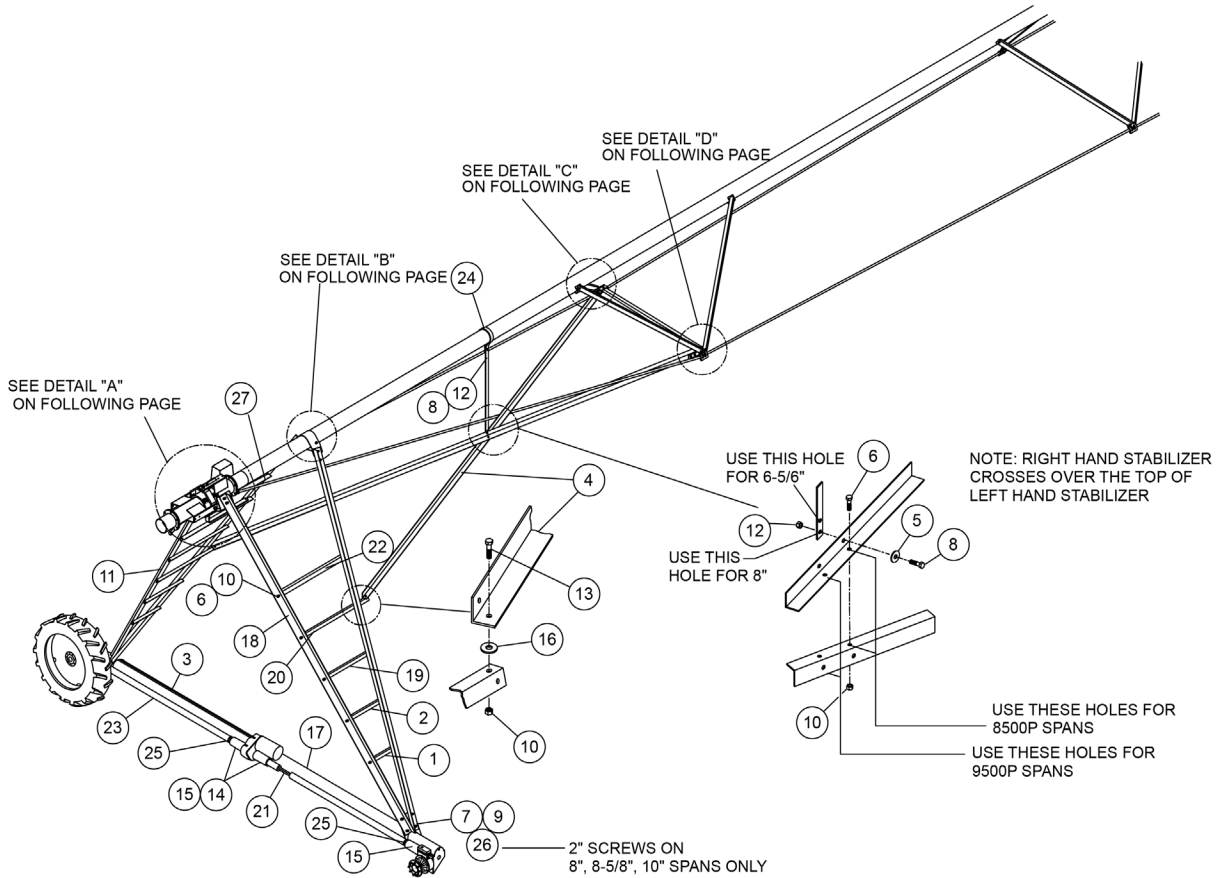
Ref.	Original Part No.	Substitute Part No.	Description
1	03-1280-1		Frame, Drive Tube, Low Profile
2	03-6737-5		Cable, Electric, 4#14 x 14'
3	03-6743-3		Angle, Stabilizer
4	03-6751-6		Clamp, Upper Half, 6-5/8" Leg
5	03-6752-4		Clamp, Lower Half, 6-5/8" Leg
6	03-6755-7		Clamp, Upper Half, 8" Leg
7	03-6756-5		Clamp, Lower Half, 8" Leg
8	03-6841-5		Leg, Tower, Low Profile
9	03-6843-1		Tie, Twr., Bottom, Low Profile, 29"
10	03-6844-9		Tie, Tower, Top, 35-7/16"
11	11-3942-7		Shaft, Drive, 7/8", 35-1/8"
12	06-0804-2		Screw, 1/2-13 x 1-1/4", Hex, Gr. 5

Ref.	Original Part No.	Substitute Part No.	Description
13	06-0839-8		Screw, 5/8-11 x 1-1/2", Hex, Gr. 5
14	06-2416-3		Nut, 5/8-11, Lock
15	06-2418-9		Nut, 1/2-13, Lock
16	06-2515-2		Clip, Speed, "S"
17	06-3589-6		Bell, Drive Shaft End
18	06-3590-4		Tube, Drive Shaft Cover, 60"
19	06-4009-4		Washer, Flat, 5/8"
20	26-0760-4		Screw, 1/2-13 x 1-1/2", Hex, Gr. 5
21	26-1091-3		Clamp, Hose, Worm Drive, #24
22	03-6845-6		Bundle, Tie, Lower Profile (2 of Item 9 and 1 of Item 10)



# Tower/Drive Tube Assembly

## Medium Clearance Tower, Non-Tow



Ref.	Original Part No.	Substitute Part No.	Description
1	03-4649-4		Tie, Tower, 1st, 13-15/16"
2	03-4650-2		Tie, Tower, 2nd, 20-1/8"
3	03-3231-2		Cable, Electric, 4#14 x 27'
4	03-6743-3		Angle, Stabilizer, 19' 4-1/2"
5	06-0250-8		Washer, Flat, 3/8"
6	06-0804-2		Screw, 1/2-13 x 1-1/4", Hex, Gr. 5
7	06-0839-8		Screw, 5/8-11 x 1-1/2", Gr. 5
8	06-2221-7		Screw, 3/8-16 x 1", Hex, Gr. 5
9	06-2416-3		Nut, 5/8-11, Lock
10	06-2418-9		Nut, 1/2-13, Lock
11	06-2515-2		Clip, Speed, "S"
12	06-3419-6		Nut, 3/8-16, Flange, Toplock
13	06-3423-8		Screw, 1/2-13 x 1-3/4", Gr. 5
14	06-3589-6		Bell, Drive Shaft End, 5-1/4"

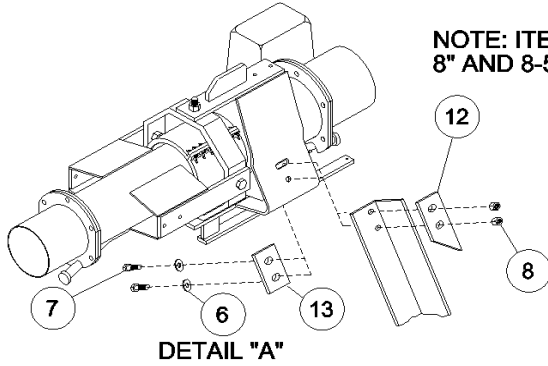
Ref.	Original Part No.	Substitute Part No.	Description
15	06-4378-3		Bell, Drive Shaft End, 4-1/8" O.D.
16	11-0231-8		Shim, Stabilizer Angle
17	13-9168-0		Frame, Drive Tube, Non, Tow
18	13-9171-0		Leg, Tower, 4 x 3, Med. Clear.
19	13-9172-0		Tie, Tower, 3rd, 26-3/4"
20	13-9173-0		Tie, Tower, 4th, 40-1/8"
21	13-9174-0		Shaft, Drive, 7/8", 73-1/4"
22	13-9186-0		Tie, Tower, 5th, 41-1/2"
23	13-9217-0		Tube, Driveshaft, 1-1/2" x 68"
24	13-9431-0		Support, Stab., 6-5/8", 8", 8-5/8"
25	26-1091-3		Clamp, Hose, Worm Drive
26	6-0807-5		Screw, 5/8-11 x 2", Hex, Gr. 5
27	1601631		Tie, Tower, 6th, Med Clr. 48-1/2"
28	13-9216-0		Bundle, Tower Ties (Items 1, 2, 19, 20 and 22)



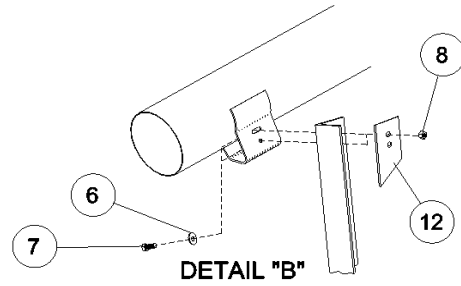
# Tower/Drive Tube Assembly

## Tower Legs Attachment Details , 6-5/8", 8", 8-5/8"

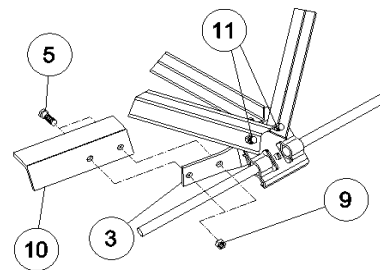
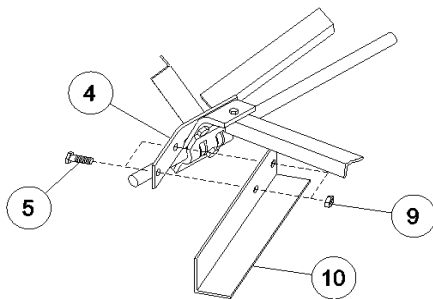
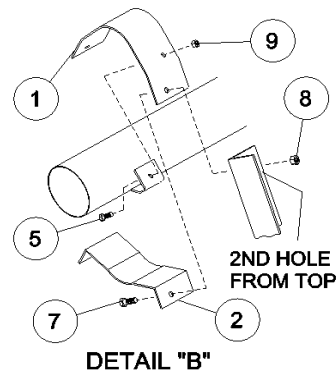
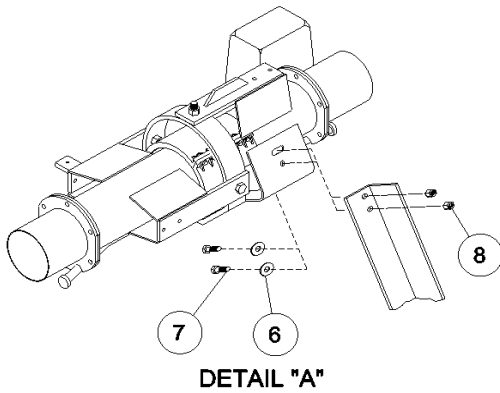
### TOWER LEGS ATTACHMENT, 8", 8-5/8", 10"



NOTE: ITEM 13 IS ONLY USED ON 8" AND 8-5/8" STAINLESS STEEL JOINTS



### TOWER LEGS ATTACHMENT, 6-5/8"



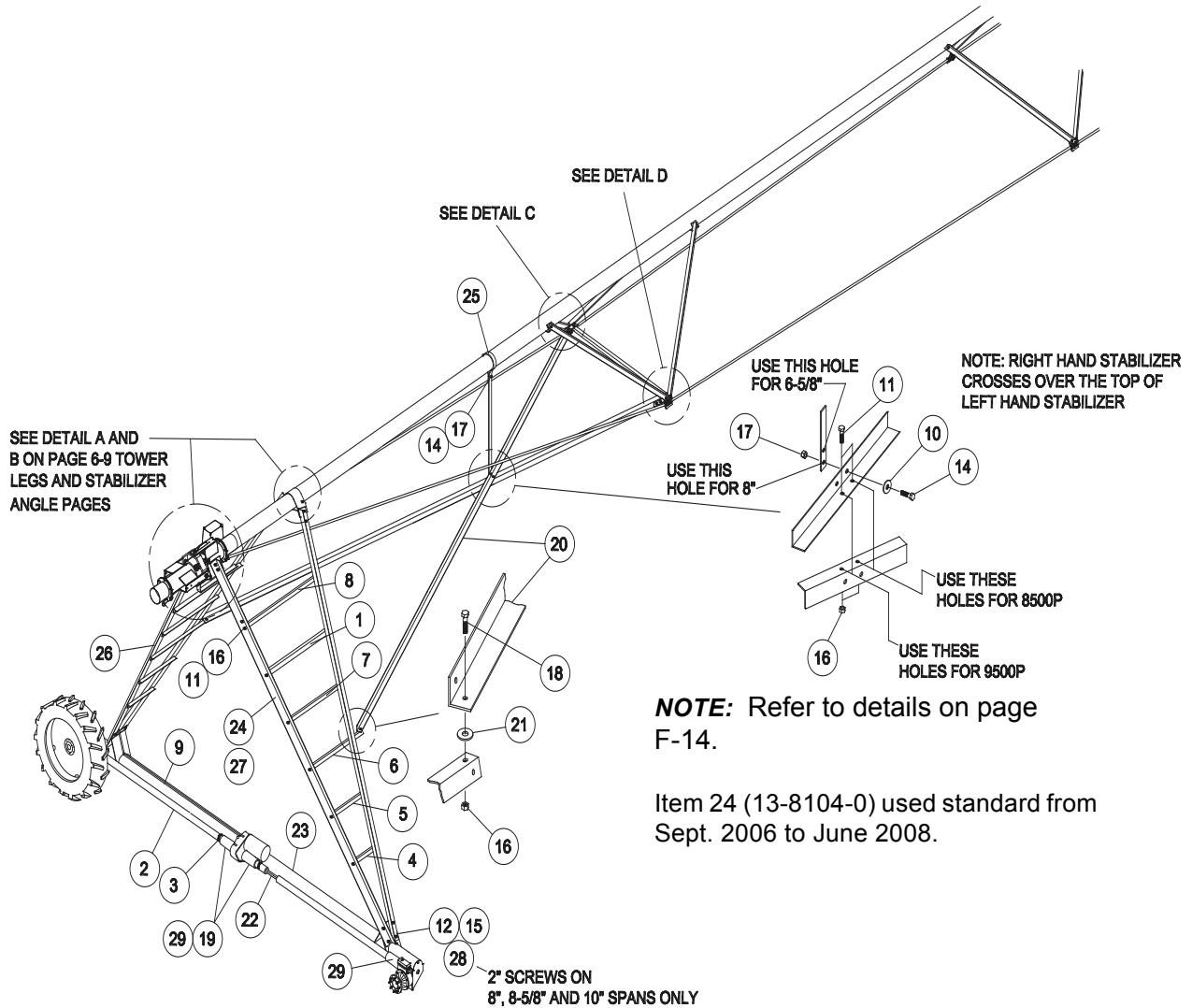
Ref.	Original Part No.	Substitute Part No.	Description
1	03-6751-6		Clamp, Upper Half, 6-5/8" Leg
2	03-6752-4		Clamp, Lower Half, 6-5/8" Leg
3	04-0295-8		Tie, Stab. Angle, Left, 10-13/16"
4	04-0348-5		Tie, Stab. Angle, Right, 10-13/16"
5	06-0804-2		Screw, 1/2-13 x 1-1/4", Hex, Gr. 5
6	06-0818-2		Washer, Flat, 5/8"

Ref.	Original Part No.	Substitute Part No.	Description
7	6-0807-5		Screw, 5/8-11 x 2", Hex, Gr. 5
8	06-2416-3		Nut, 5/8-11, Lock
9	06-2418-9		Nut, 1/2-13, Lock
10	10-9813-6		Angle, Stabilizer, 20- 8 1/4"
11	26-0760-4		Screw, 1/2-13 x 1-1/2", Hex, Gr. 5
12	16-0012-0		Washer, Tower Leg



# Tower/Drive Tube Assembly

## High Clearance Tower, Non-Tow



**NOTE:** Refer to details on page F-14.

Item 24 (13-8104-0) used standard from Sept. 2006 to June 2008.

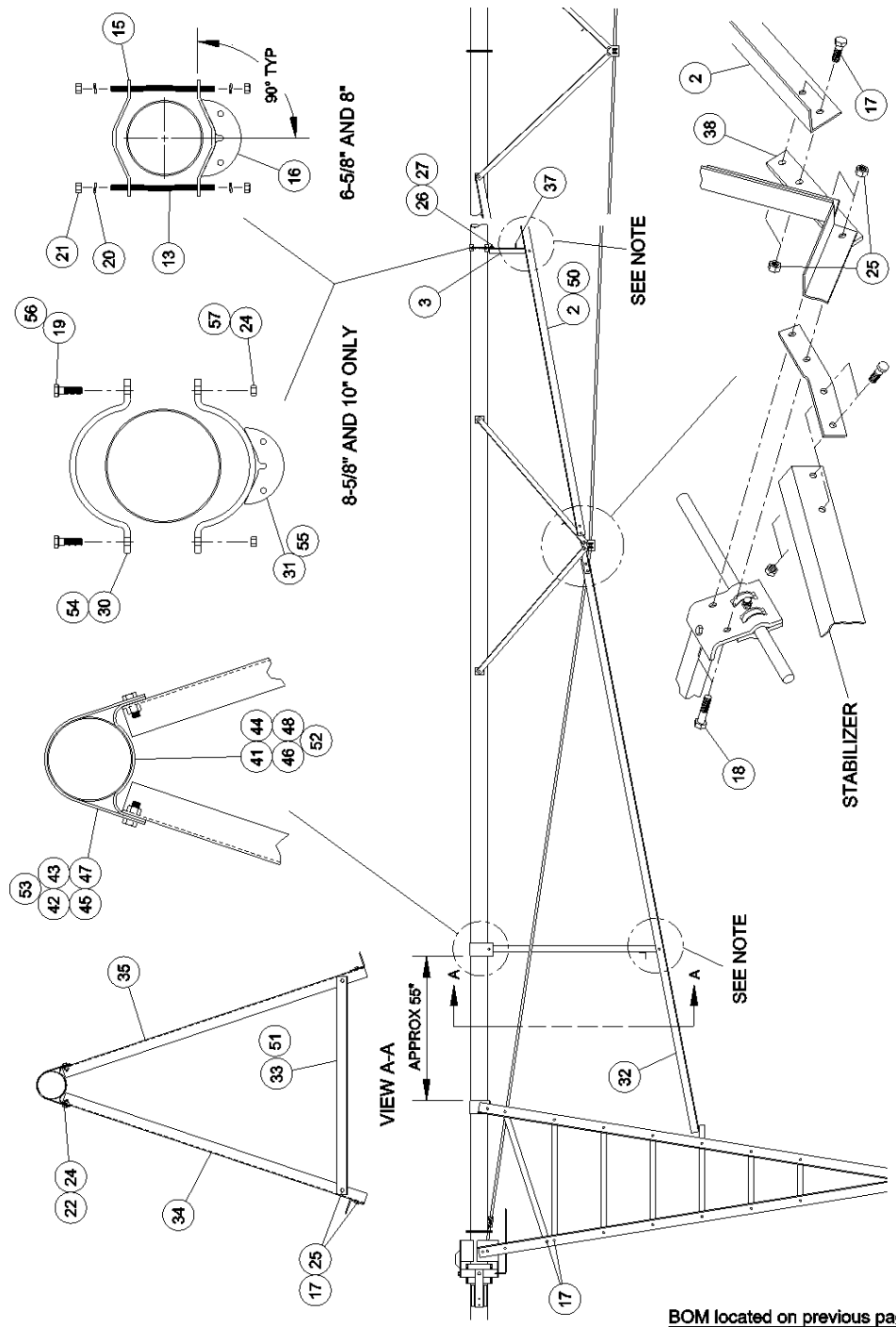
Ref.	Original Part No.	Substitute Part No.	Description
1	03-0106-9		Tie, Tower, 5th, 41-1/2"
2	1606463		Tube, Drive Shaft, High
3	2610913		Clamp, Hose, Worm Drive, #24
4	03-4649-4		Tie, Tower, 1st, 13-15/16"
5	03-4650-2		Tie, Tower, 2nd, 20-1/8"
6	03-4651-0		Tie, Tower, 3rd, 32-3/4"
7	03-4652-8		Tie, Tower, 4th, 33"
8	03-4654-4		Tie, Tower, 6th, 45-1/2"
9	03-4657-7		Cable, Electric, 4#14 x 29'-4"
10	06-0250-8		Washer, Flat, 3/8"
11	06-0804-2		Screw, 1/2-13 x 1-1/4", Hex, Gr. 5
12	06-0839-8		Screw, 5/8-11 x 1-1/2", Gr. 5
13			
14	06-2221-7		Screw, 3/8-16 x 1", Hex, Gr. 5

Ref.	Original Part No.	Substitute Part No.	Description
15	06-2416-3		Nut, 5/8-11, Lock
16	06-2418-9		Nut, 1/2-13, Lock
17	06-3419-6		Nut, 3/8-16, Flange, Toplock
18	06-3423-8		Screw, 1/2-13 x 1-3/4", Gr. 5
19	06-3589-6		Bell, Drive Shaft End, 5-1/4"
20	10-9813-6		Angle, Stabilizer, 20' 8-1/4"
21	11-0231-8		Shim, Stabilizer Angle
22	11-3941-9		Shaft, Drive, 7/8", 87 9-16"
23	13-8779-0		Frame, Drive Tube, Non, Tow
24	13-8104-0		Leg, Tower, 4 x 3, 15' 7"
25	13-8366-0		Support, Stabilizer, 6-5/8", 8", 8-5/8"
26	6-2515-2		Clip, Speed, "S"
27	03-7293-8		Leg, Tower, 4 x 4 x 3/8", 15' 7"
28	6-0807-5		Screw, 5/8-11 x 2", Hex, Gr. 5



# Tower/Drive Tube Assembly

## Tower Assembly, High Clearance, Tow/Non-Tow

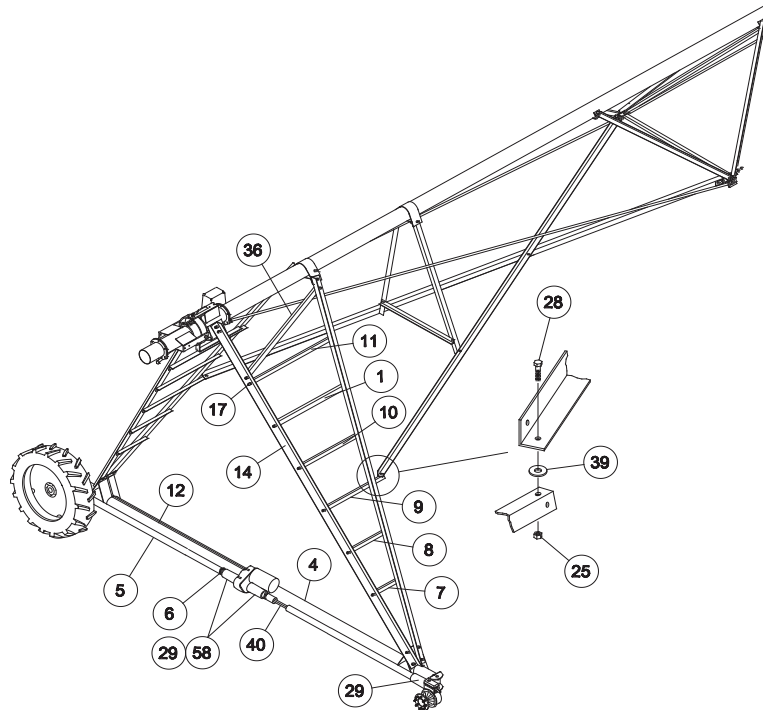


NOTE: FOR 8500P SYSTEMS, USE THE UPPER HOLE ON THE TRUSS BRACES TO SECURE THE STABILIZERS.



# Tower/Drive Tube Assembly

## Tower Assembly, High Clearance, Tow/Non-Tow



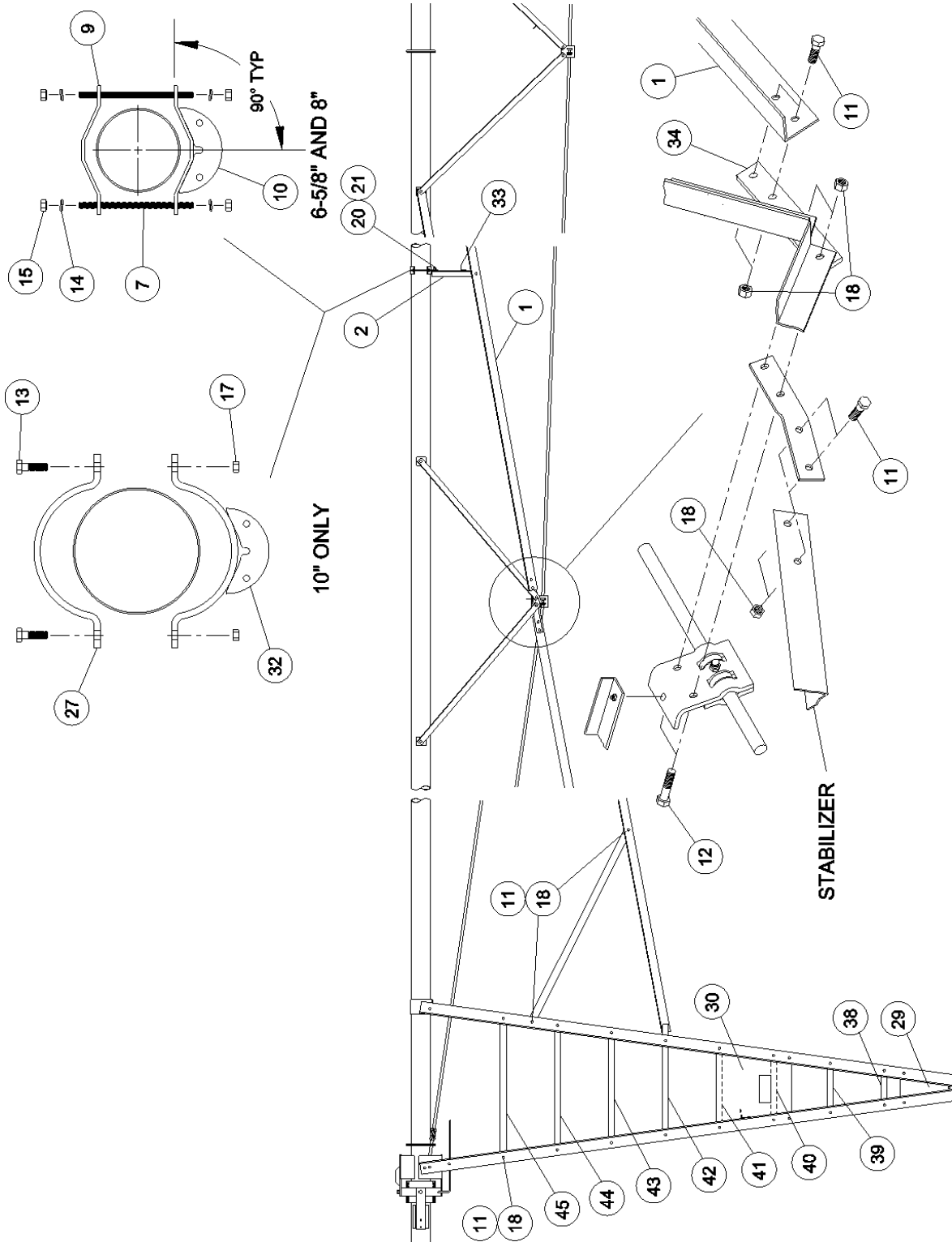
Ref.	Original Part No.	Substitute Part No.	Description
1	03-0106-9		Tie, Tower, 5th
2	03-0728-0		Angle, Stabilizer
3	03-0746-2		Brace, 2nd Stabilizer
4	03-1282-7		Frame, Drive Tube
5	1606463		Tube, Drive Shaft, High
6	2610193		Clamp, Hose, Worm Drive, #24
7	03-4649-4		Tie, Tower, 1st
8	03-4650-2		Tie, Tower, 2nd
9	03-4651-0		Tie, Tower, 3rd
10	03-4652-8		Tie, Tower, 4th
11	03-4654-4		Tie, Tower, 6thx
12	03-4657-7		Cable, Electric, 4#14 x 29'-4"
13	03-5272-4		Rod, Threaded, 1/2-13 x 9"
14	03-7293-8		Leg, Tower
15	04-7243-1		Clamp, Saddle
16	04-7244-9		Mount, Universal Tower Panel
17	06-0804-2		Screw, 1/2-13 x 1-1/4", Hex, Gr. 5
18	06-0805-9		Screw, 1/2-13 x 2", Hex, Gr. 5
19	06-0807-5		Screw, 5/8-11 x 2", Hex, Gr. 5
20	06-0814-1		Washer, Lock, 1/2"
21	06-0824-0		Nut, 1/2-13, Hex
22	06-0839-8		Screw, 5/8-11 x 1-1/2", Gr. 5
23			
24	06-2416-3		Nut, 5/8-11, Lock
25	06-2418-9		Nut, 1/2-13, Lock
26	06-3415-4		Screw, 3/8-16 x 1-1/4", Gr. 5
27	06-3419-6		Nut, 3/8-16, Flange, Toplock
28	06-3423-8		Screw, 1/2-13 x 1-3/4", Gr. 5
29	06-3589-6		Bell, Drive Shaft End

Ref.	Original Part No.	Substitute Part No.	Description
30	10-9720-3		Clamp, Saddle, 10"
31	10-9774-0		Clamp, Weldment, 10"
32	10-9813-6		Angle, Stabilizer
33	10-9814-4		Tie, Truss, 58"
34	10-9815-1		Brace, Truss, 77-1/2", RH
35	10-9816-9		Brace, Truss, 74-1/4", LH
36	10-9817-7		Brace, Diagonal
37	10-9818-5		Tie, Stabilizer, "V" Jack
38	10-9819-3		Mount, Secondary Stab Angle
39	11-0231-8		Shim, Stabilizer Angle
40	11-3941-9		Shaft, Drive, 7/8", 87 9-16"
41	3-1016-9		Clamp, Lower Half, 10"
42	3-1017-7		Clamp, Upper Half, 10"
43	3-6751-6		Clamp, Upper Half, 6-5/8" Leg
44	3-6752-4		Clamp, Lower Half, 6-5/8" Leg
45	3-6753-2		Clamp, Upper Half, 5-9/16" Leg
46	3-6754-0		Clamp, Lower Half, 5-9/16" Leg
47	3-6755-7		Clamp, Upper Half, 8" Leg
48	3-6756-5		Clamp, Lower Half, 8" Leg
49	03-7295-3		Bundle, Tie, High Clearance (Items 1, 7 thru 11 and 36)
50	14-8882-0		Angle, Stab, Second, 8500P, 18'
51	14-8894-0		Tie, Truss, 52-3/4, Galv.
52	14-4401-0		Clamp, Lower Half, 8-5/8" Leg
53	14-4400-0		Clamp, Upper Half, 8-5/8" Leg
54	11-0734-1		Clamp, Saddle, 8-5/8"
55	14-4406-0		Clamp, Weldment, 8-5/8"
56	06-0809-1		Screw, 3/4-10 x 2", Hex, Gr. 5
57	06-2417-1		Nut, 3/4-10, Lock



# Tower/Drive Tube Assembly

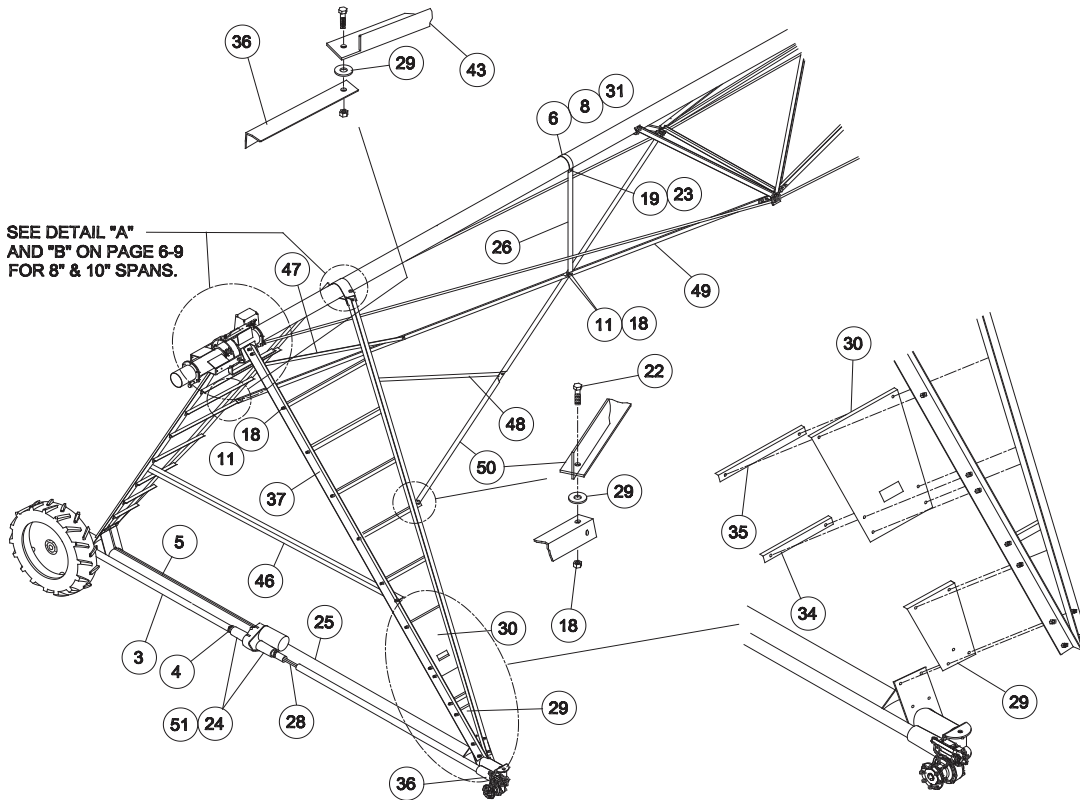
## Tower Assembly, Super High Clearance





# Tower/Drive Tube Assembly

## Tower Assembly, Super High Clearance (cont'd.)



Ref.	Original Part No.	Substitute Part No.	Description
1	03-0728-0		Angle, Stabilizer
2	03-0746-2		Brace, 2nd Stabilizer
3	1606462		Tube, Drive Shaft, Super High
4	2610913		Clamp, Hose, Worm Drive, #24
5	03-4657-7		Cable, Electric, 4#14 x 29'-4"
6	03-4865-6		Band, Collector Ring
7	03-5272-4		Rod, Threaded, 1/2-13 x 9"
8	03-8216-8		Strap, Sign Mount, 6-5/8"
9	04-7243-1		Clamp, Saddle
10	04-7244-9		Mount, Universal Tower Panel
11	06-0804-2		Screw, 1/2-13 x 1-1/4", Hex, Gr. 5
12	06-0805-9		Screw, 1/2-13 x 2", Hex, Gr. 5
13	06-0807-5		Screw, 5/8-11 x 2", Hex, Gr. 5
14	06-0814-1		Washer, Lock, 1/2"
15	06-0824-0		Nut, 1/2-13, Hex
16			
17	06-2416-3		Nut, 5/8-11, Lock
18	06-2418-9		Nut, 1/2-13, Lock
19	06-3358-6		Screw, 5/16-18 x 1-1/4", Hex, Gr. 5
20	06-3415-4		Screw, 3/8-16 x 1-1/4", Gr. 5
21	06-3419-6		Nut, 3/8-16, Flange, Toplock
22	06-3423-8		Screw, 1/2-13 x 1-3/4", Gr. 5
23	06-4364-3		Nut, 5/16-18, Lock
24	06-4378-3		Bell, Drive Shaft End
25	11-3839-5		Frame, Drivetube

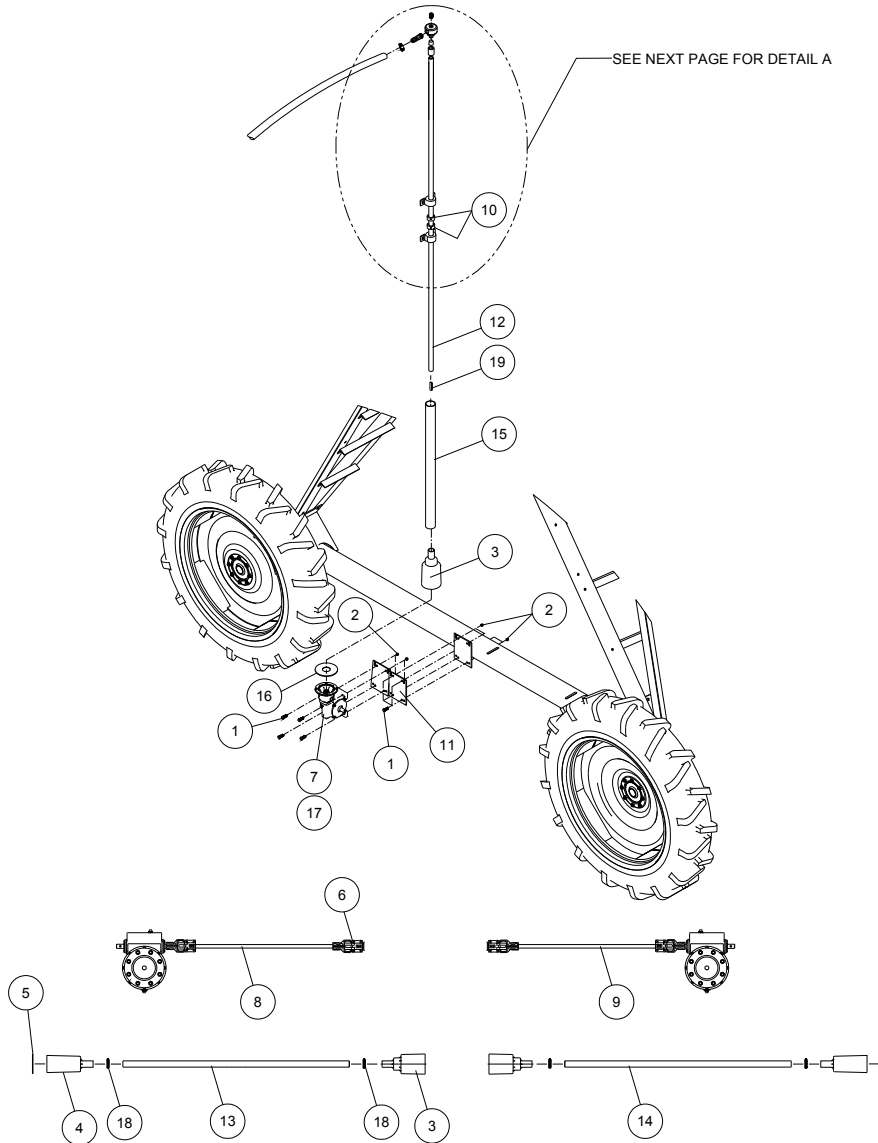
Ref.	Original Part No.	Substitute Part No.	Description
26	11-3848-6		Brace, Cross-Stabilizers, 47"
27	10-9720-3		Clamp, Saddle, 10"
28	11-3943-5		Shaft, Drive, 7/8" 102'-5/8"
29	11-4054-0		Stabilizer, Plate, Lower
30	11-4055-7		Stabilizer, Plate, Upper
31	11-4395-7		Band, 10" Pipe
32	10-9774-0		Clamp, Weldment, 10"
33	10-9818-5		Tie, Stabilizer, "V" Jack
34	10-9819-3		Mount, Secondary Stab. Angle
35	11-0231-8		Shim Stabilizer Angle
36	11-3315-6		Coupler, Kit, 7/8" Shaft, Towable
37	11-3816-3		Leg, Super High Tower
38	11-3819-7		Tie, Tower, 1st, 14-1/2"
39	11-3820-5		Tie, Tower, 2nd, 19-5/8"
40	11-3821-3		Tie, Tower, 3rd, 24-3/4"
41	11-3822-1		Tie, Tower, 4th, 29-7/8"
42	11-3823-9		Tie, Tower, 5th, 36-7/8"
43	11-3824-7		Tie, Tower, 6th, 39-5/8"
44	11-3825-4		Tie, Tower, 7th, 44-5/8"
45	11-3826-2		Tie, Tower, 8th, 49-1/2"
46	11-3827-0		Stabilizer, Tower, 138-1/16"
47	11-3828-8		Stabilizer, R., 68-13/16"
48	11-3829-6		Stabilizer, L., Reinforce, 243-7/8"
49	11-3830-4		Stabilizer, Right, 243-7/8"
50	11-3831-2		Stabilizer, Left, 243-7/8"



# Tower/Drive Tube Assembly

## Water Drive Assembly

### Drive Line, Water Drive



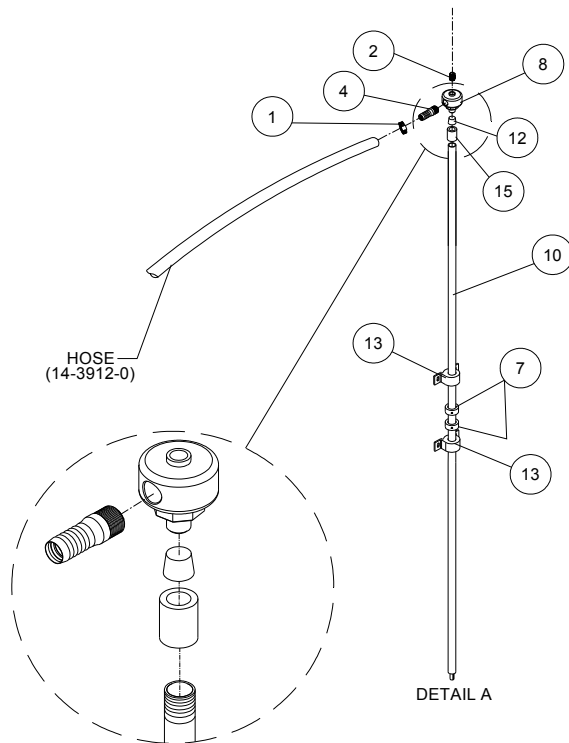
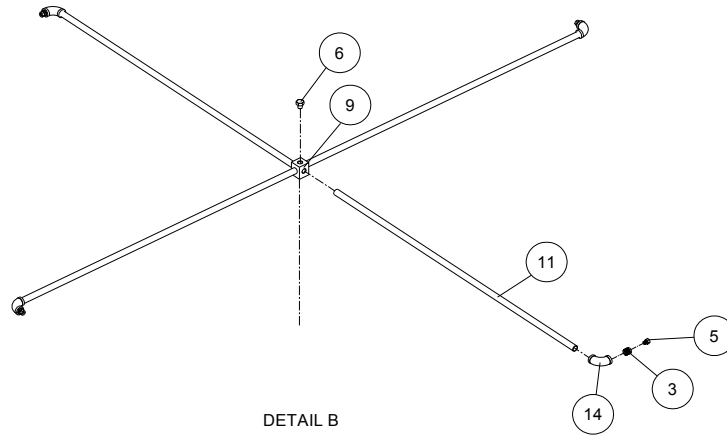
Ref.	Part No.	Description
1	6-3415-4	Screw, 3/8-16x1-1/4, HX
2	6-3419-6	Nut, 3/8-16, Fling
3	6-3589-6	Bell, Drive shaft End, 5-1/4"
4	6-4378-3	Bell, Drive shaft End, 4-1/8"
5	14-9301-0	Washer, Drive shaft bell
6	10-1250-9	Coupler, Kit, 3/4" Driveshaft, Alu
7	11-0867-9	Gearbox, UMC, 30:1
8	14-3840-0	Shaft, Drive, 3/4" x 50-1/2
9	14-3841-0	Shaft, Drive, 3/4" x 63-3/4

Ref.	Part No.	Description
10	14-3846-0	Bushing, Bearing Support
11	14-3857-0	Plate, Offset, Motor Mount
12	14-3871-0	Tube Assy, Water Drive
13	14-3963-0	Tube, Driveshaft, 1-1/2" x 48-3/4
14	14-3964-0	Tube, Driveshaft, 1-1/2" x 58-1/2
15	14-4002-0	Tube, Driveshaft, 2-11/16" x 60
16	14-4003-0	Washer, 8" bell
17	14-6390-0	Gearbox, Emerson, 9:1 CD
18	26-1091-3	Hose Clamp, Worm Drive, Size #24
19	14-7109-0	Key, 3/16 x 3/16 x 3/4 Geo Lateral



# Tower/Drive Tube Assembly

## Spinner, Water Drive



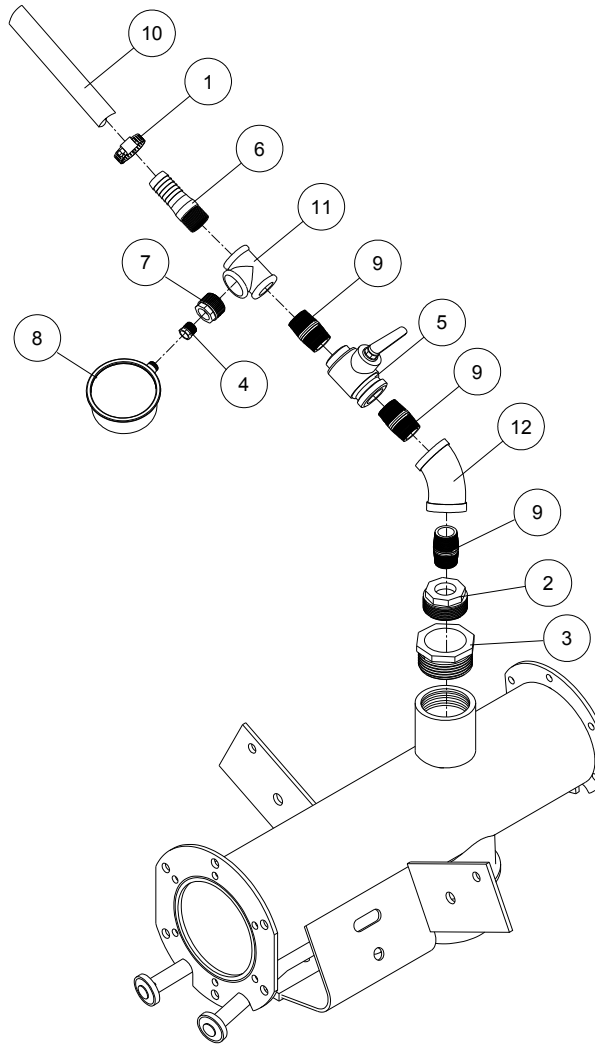
Ref.	Part No.	Description
1	6-2000-5	Hose Clamp, Worm drive, Size 40
2	6-0638-4	Nipple, Pipe, 3/4" x close, Galv.
3	6-2135-9	Bushing, Hex, 3/4" x 1/4", Galv.
4	6-3770-2	Adaptor, 1" MPTx1" Barb, Steel
5	10-4240-7	Nozzle, Nel. Flow control
6	11-3790-0	Plug, Plastic, Hex head, 3/4" NPT
7	14-3846-0	Bushing, Bearing Support
8	14-3867-0	Coupling, Rotary, 1"

Ref.	Part No.	Description
9	14-3868-0	Manifold, Spinner
10	14-3871-0	Tube assembly, Water Drive
11	14-3895-0	Tube, Spinner
12	14-3923-0	Plug, Rubber stopper #6
13	14-4001-0	Bearing, 1-3/8
14	26-1172-1	Elbow, 3/4" x 90 deg., Galv
15	10-9657-7	Coupling, Pipe, Steel, 1" Galv.



# Tower/Drive Tube Assembly

## Hose Hook-up, Water Drive



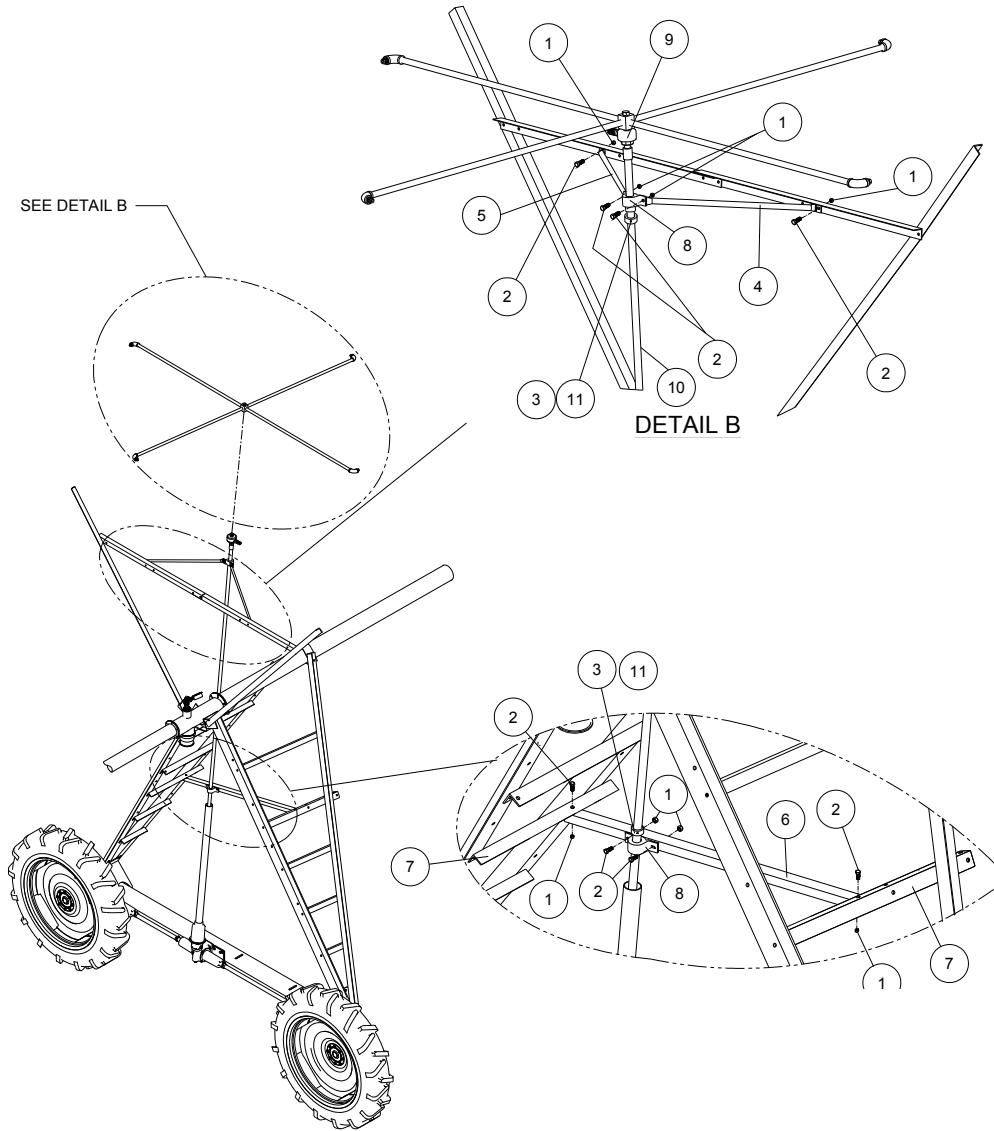
Ref.	Part No.	Description
1	6-2000-5	Hose Clamp, Worm drive, Size 40
2	6-2502-0	Bushing, Hex, 2" x 1", Galv.
3	6-3154-9	Bushing, Hex, 2-1/2" x 2", Galv.
4	6-3404-8	Bushing, Hex, 3/8" x 1/4", Galv.
5	6-3498-0	Valve, Manual Ball, Bronze, 1"
6	6-3770-2	Adaptor, 1" MPTx1" Barb, Steel

Ref.	Part No.	Description
7	6-3773-6	Bushing, Hex, 1" x 3/8", Galv.
8	6-4715-6	Pressure Gauge, Liq-Fill, 0-100 PSI
9	13-6840-0	Nipple, Pipe, 1xclosure, Galv.
10	14-3912-0	Hose, Waterdrive, 1" ID
11	14-3984-0	Tee Pipe, 1", Galv.
12	14-3985-0	Elbow, Pipe, 1" x 45 Deg.



# Tower/Drive Tube Assembly

## Water Drive Main Assembly



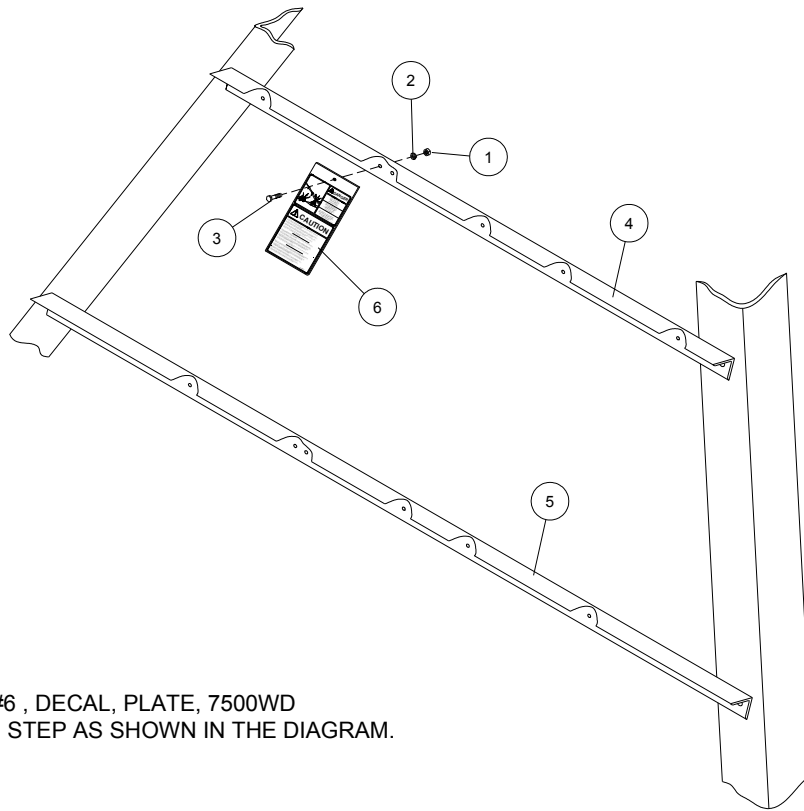
Ref.	Part No.	Description
1	6-2420-5	Nut, 3/8-16, Lock
2	6-3415-4	Screw, 3/8-16x1-1/4, Hx
3	14-3846-0	Bushing, Bearing Support
4	14-3855-0	Support, Bearing, Tube, 37"
5	14-3856-0	Support, Bearing, Tube, 31"
6	14-3873-0	Angle, Lower Bearing, Water Drive

Ref.	Part No.	Description
7	14-3874-0	Tie Down Stabilizer, Water Drive
8	14-4001-0	Bearing, Water Drive 1-3/8IDBK22
9	14-3867-0	Coupling, Rotary, 1"
10	14-3871-0	Tube Assembly
11	12-3035-0	Screw, Set, 1/4-20 x 1/4", Cup pt.



# Tower/Drive Tube Assembly

## Decal Plate Mounting, Water Drive



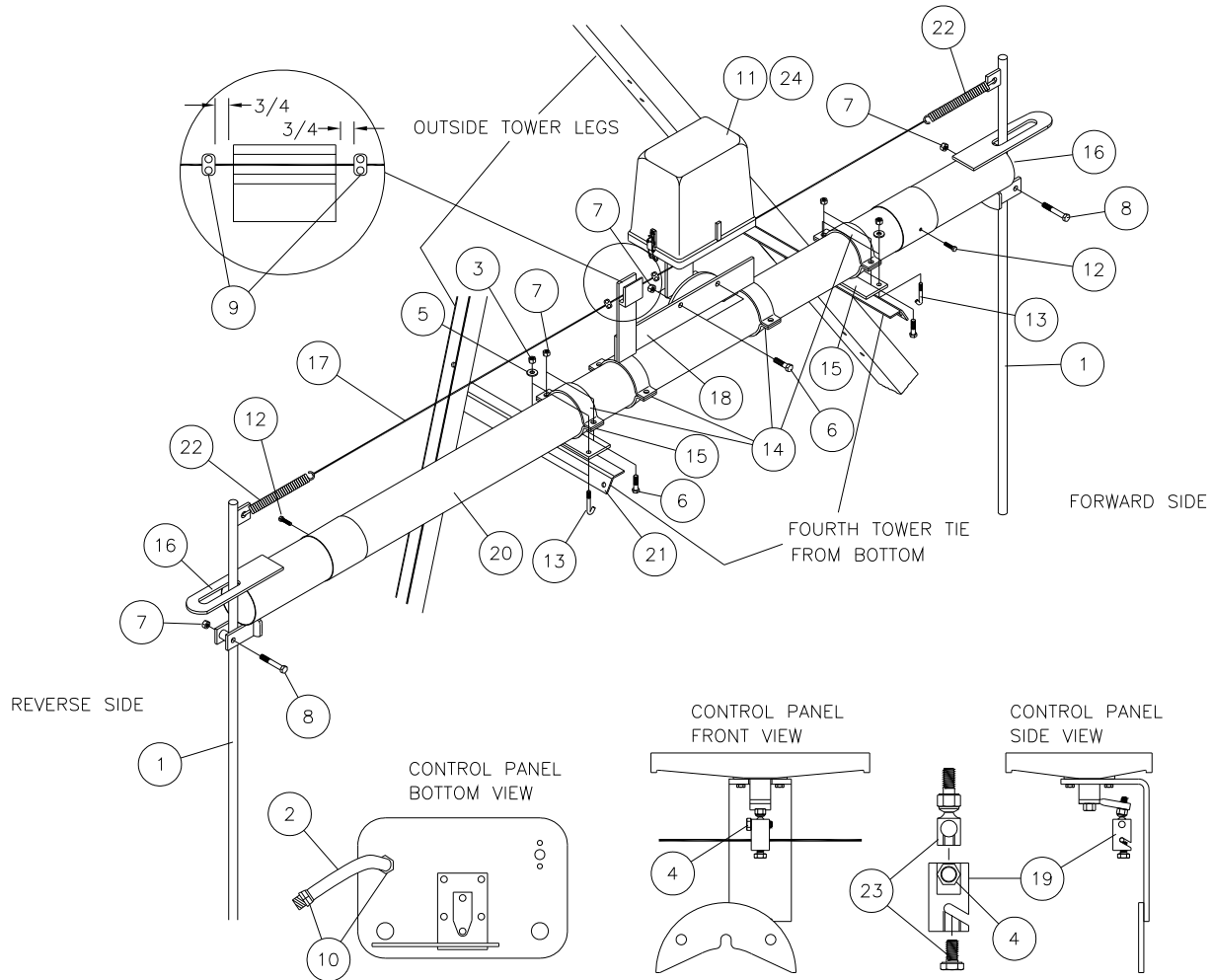
MOUNT ITEM #6 , DECAL, PLATE, 7500WD  
TO THE THIRD STEP AS SHOWN IN THE DIAGRAM.

Ref.	Part No.	Description
1	6-0841-4	Nut, 1/4-20, Hex
2	6-1510-4	Washer, Lock, 1/4"
3	10-2985-9	Screw, 1/4-20 x 3/4", Hex, Gr. 5
4	11-9461-0	Tie, Pivot, Panel Mount, Top, 51 1/2"
5	11-9462-0	Tie, Pivot, Panel Mount, Bottom, 71 11/16"
6	14-4028-0	Decal, Plate, Water Drive



# Tower/Drive Tube Assembly

Auto Reverse w/Stop, Any Tower, 10-0242-7 (Jan. 2002 - Present)



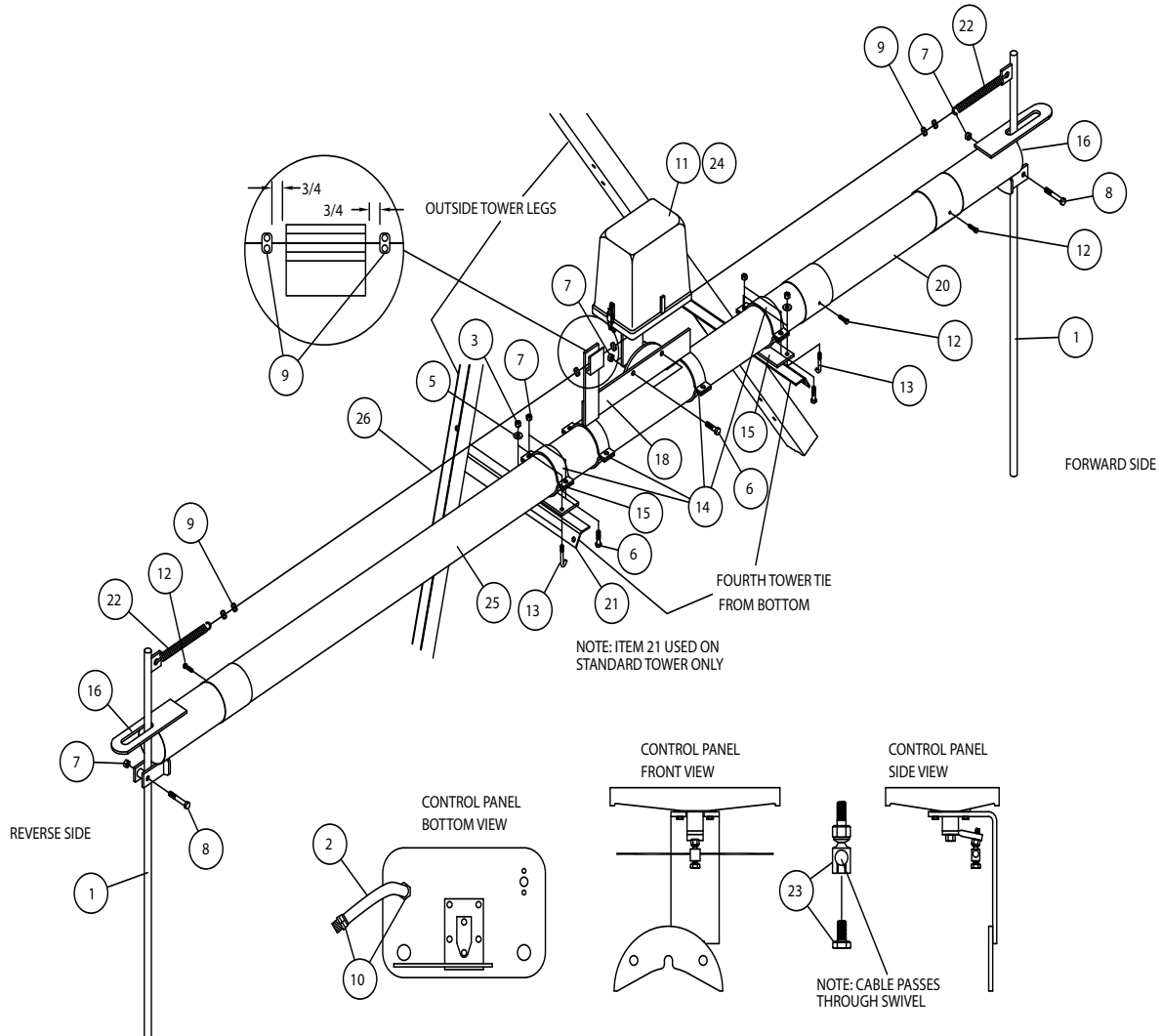
Ref.	Original Part No.	Substitute Part No.	Description
1	04-6579-9		Rod, Control, Safety Switch, 60"
2	03-8146-7	1609550	Cable, Elec., #4#14, 6# 18 x 7'
3	06-0262-3		Nut, 5/16-18, Lock, Nylon Insert
4	06-0802-6		Screw, 5/16-18 x 1", Hex
5	06-0817-4		Washer, Flat, 5/16"
6	06-2221-7		Screw, 3/8-16 x 1", Hex, Gr. 5
7	06-2420-5		Nut, 3/8-16, Lock
8	06-2451-0		Screw, 3/8-16 x 2-1/2" Hex, Gr. 5
9	06-2621-8		Clamp, Cable, 3/16"
10	09-9183-6		Connector, 3/4", w/Nut, .6-.7 Dia.
11	10-0052-0		Panel, Control, Auto Rev./Stop
12	10-9699-9		Screw, #14 x 1", Hex, Self-Drill

Ref.	Original Part No.	Substitute Part No.	Description
13	11-0559-2		Bolt, 5/16-18 x 2-1/2", "J"
14	11-7813-6		Clamp, Saddle, 4"
15	11-7815-1		Mount Weld, 4" Tube
16	11-7820-1		Joint, Rod Mount, Complete
17	11-7822-7		Cable, 3/16" x 21'
18	11-7825-0		Mount, Panel and Cable Guide
19	11-7826-8		Lug, Cable Attachment
20	11-8060-3		Pipe, Safety Rod Mount
21	11-9310-0		Angle, Tube Mounting
22	26-1149-9		Spring, Yoke
23	06-3910-4	1607512	Swivel, Set Screw



# Tower/Drive Tube Assembly

## Auto Reverse w/Stop, Super High Clearance



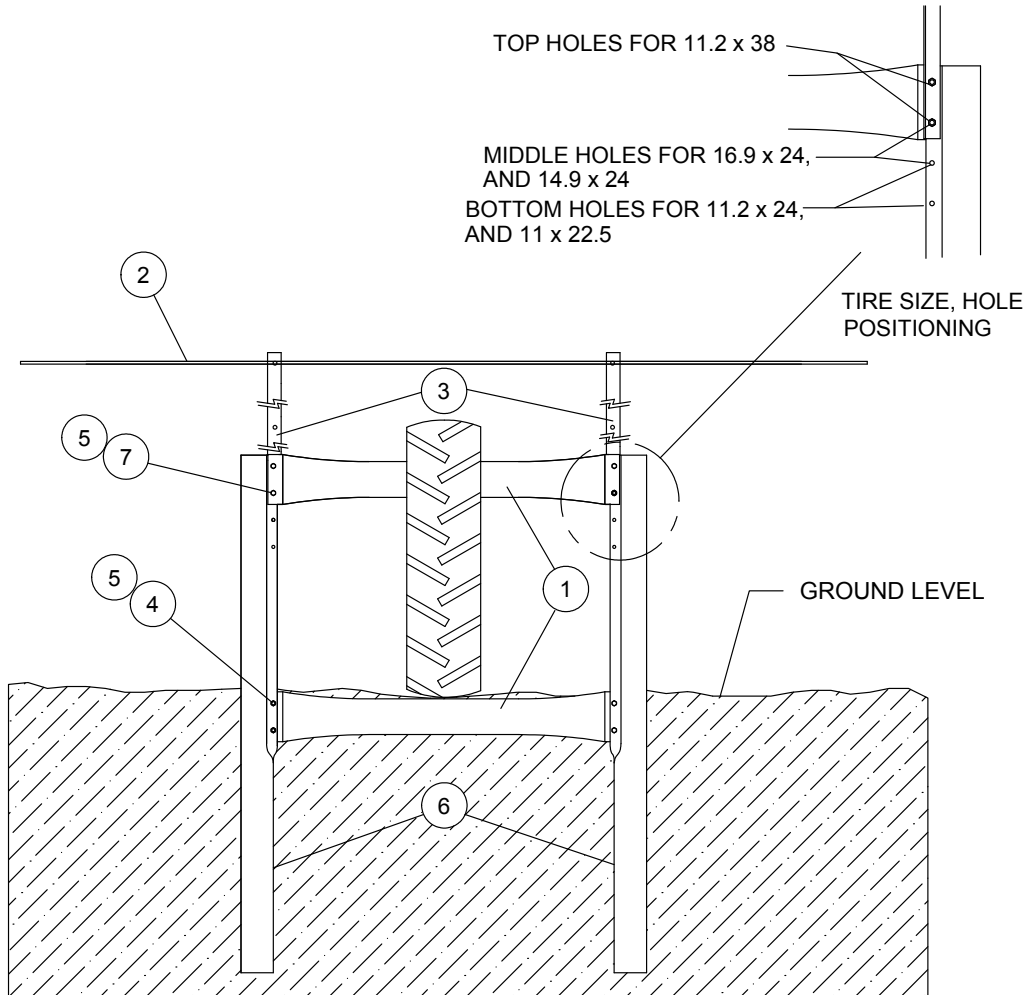
Ref.	Original Part No.	Substitute Part No.	Description
1	04-6579-9		Rod, Control, Safety Switch, 60"
2	03-8146-7	1609550	Cable, Elec., 4#14, 6# 18 x 7'
3	06-0262-3		Nut, 5/16-18, Lock, Nylon Insert
4			
5	06-0817-4		Washer, Flat, 5/16"
6	06-2221-7		Screw, 3/8-16 x 1", Hex, Gr. 5
7	06-2420-5		Nut, 3/8-16, Lock
8	06-2451-0		Screw, 3/8-16 x 2-1/2" Hex, Gr. 5
9	26-0055-9		Clamp, Cable, 1/4"
10	09-9183-6		Connector, 3/4", w/Nut, .6-.7 Dia.
11	10-0052-0		Panel, Control, Auto Rev./Stop
12	10-9699-9		Screw, #14 x 1", Hex, Self-Drill

Ref.	Original Part No.	Substitute Part No.	Description
13	11-0559-2		Bolt, 5/16-18 x 2-1/2", "J"
14	11-7813-6		Clamp, Saddle, 4"
15	11-7815-1		Mount Weld, 4" Tube
16	11-7820-1		Joint, Rod Mount, Complete
17			
18	11-7825-0		Mount, Panel and Cable Guide
19			
20	1601280		Pipe, Safety Ext., 4" Rod Mount
21	11-9310-0		Angle, Tube Mounting
22	26-1149-9		Spring, Yoke
23	06-3910-4	1607512	Swivel, Set Screw
24	11-8294-6		Panel, Control, Auto Rev/Stop
25	11-8060-3		Pipe, Safety, Rod Mount
26	11-5653-8		Cable, AirCraft, 7x19, 1/4"x27'



# Tower/Drive Tube Assembly

## Barricade Installation (Sept. 2005 - Present)



Ref.	Part No.	Description
1	03-5388-8	Tube, Horiz. C Fence
2	04-5205-2	Rod, Safety Trip, 10' Long, Galv.
3	04-5206-0	Bracket, Safety Trip, 52" Long
4	06-0804-2	Screw, 1/2-13 x 1-1/4", Hex, Gr. 5
5	06-2418-9	Nut, 1/2-13, Lock
6	13-3799-0	Post, Barricade, Vertical
7	26-0760-4	Screw. 1/2-13 x 1-1/2", Gr. 5

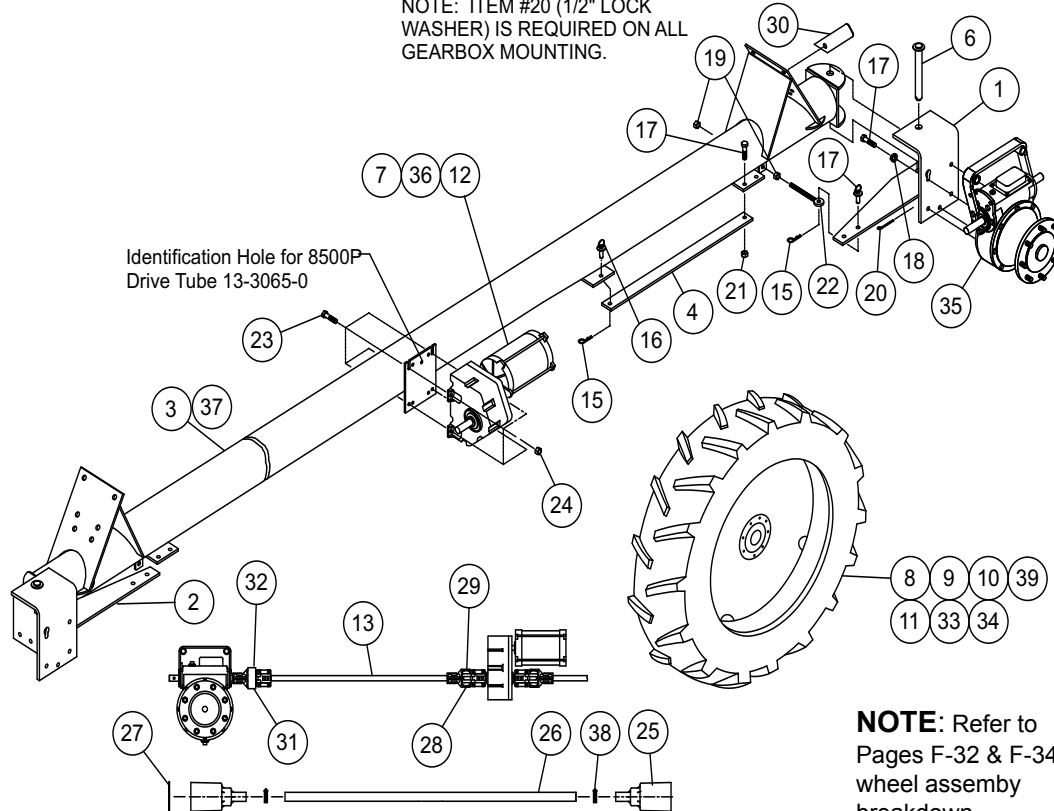
**NOTE:** Barricade must be assembled prior to installing in the ground.



# Tower/Drive Tube Assembly

## Drive Tube Assembly, Towable

NOTE: ITEM #20 (1/2" LOCK WASHER) IS REQUIRED ON ALL GEARBOX MOUNTING.



**NOTE:** Refer to Pages F-32 & F-34 for wheel assembly breakdown.

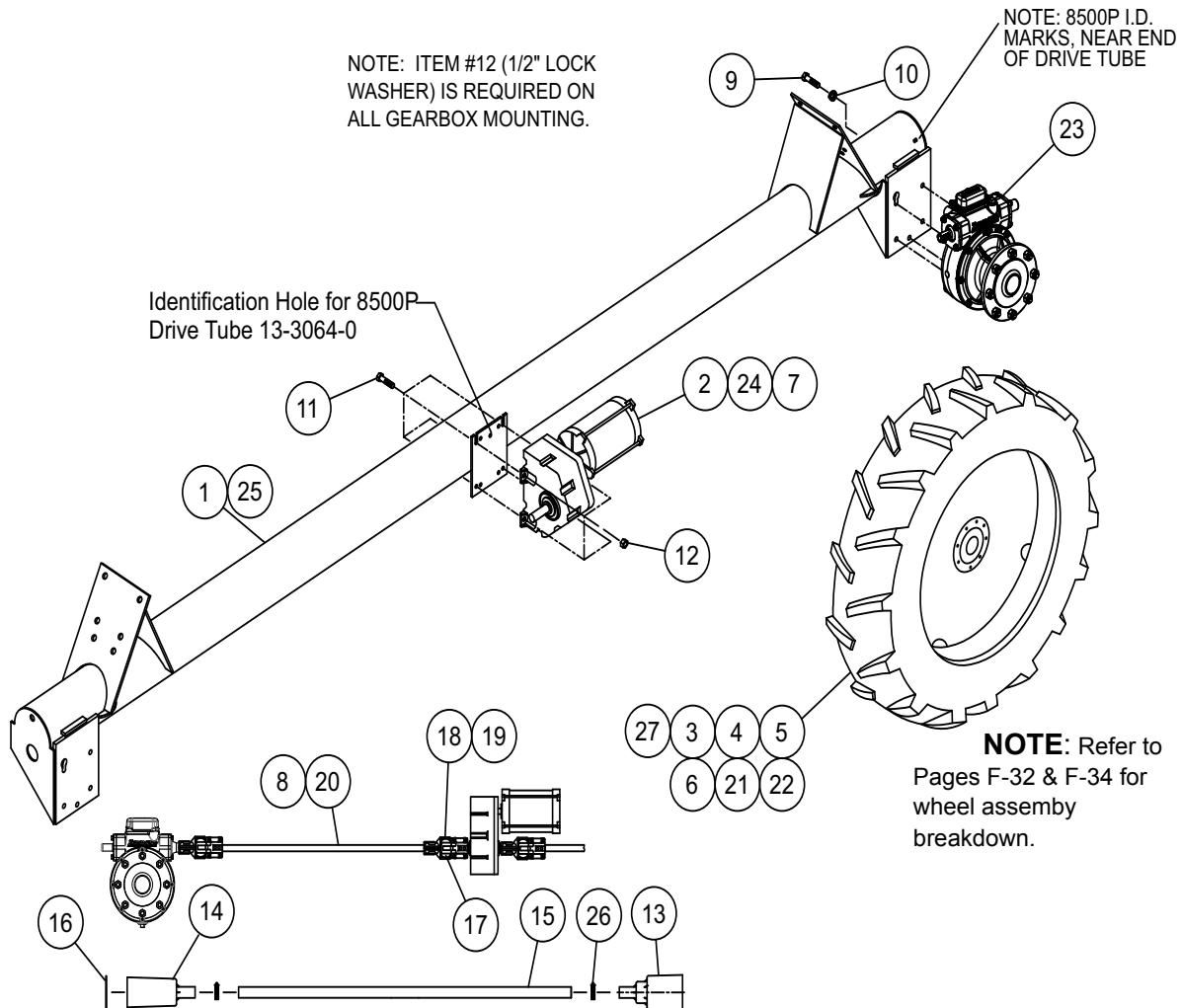
Ref.	Original Part No.	Substitute Part No.	Description
1	03-0110-1		Mount, Gearbox, Left
2	03-0120-0		Mount, Gearbox, Right
3	03-0759-5		Frame, Drive Tube, Swivel Mount
4	03-0880-9		Tie, Rod, Towable
5			
6	03-2158-8		Pin Assembly, Gearbox Mount
7	03-4184-2		Motor Assy, LCD, 3/4 HP, 43 RPM
8	03-4840-9		Wheel Assy, 11.2 x 24", Right
9	03-4841-7		Wheel Assy, 11.2 x 24", Left
10	03-4842-5		Wheel Assy, 14.9 x 24, Right
11	03-4843-3		Wheel Assy, 14.9 x 24, Left
12	03-4984-5		Motor Assy, 1 HP, 30 RPM
13	04-0716-3		Shaft, Drive, 7/8", 59-1/4"
14			
15	1603007		Pin, Retaining, .120 x 4.375
16	06-0570-9		Pin, Hitch, Towable Arm Lock
17	06-3415-4		Screw, 3/8-16 x 1-1/4" Hex, Gr. 5
18	06-0804-2		Screw, 1/2-13 x 1-1/4", Hex, Gr. 5
19	06-0814-1		Washer, Lock, 1/2"

Ref.	Original Part No.	Substitute Part No.	Description
20	06-0824-0		Nut, Hex, 1/2-13
21	06-2085-6		Pin, Cotter, 1/4 x 2-1/4"
22	06-2418-9		Nut, 1/2-13, Lock
23	06-2522-8		Rod End, 1/2-13 x 6
24	06-3419-6		Nut, 3/8-16, Hex, Flange
25	06-3589-6		Bell, Drive Shaft, End
26	06-4442-7		Tube, Drive Shaft, 1-1/2" x 54"
27	14-9301-0		Washer, Drive Shaft Bell
28	10-0433-2		Insert Coupler, Non-Tow
29	10-0435-7		Coupler, 7/8" Drive Shaft
30	10-4983-2		Bracket, Towable Drive Shaft
31	11-4697-6		Insert Coupler, Towable
32	11-4698-4		Coupler, 7/8" Drive Shaft, Towable
33	11-5491-3		Wheel Assy, 11 x 22.5, R, Recap
34	11-5492-1		Wheel Assy, 11 x 22.5, L, Recap
35	14-5230-0		Gearbox, 2-1/4", Tow, Non-Tow
36	12-5327-0		Motor Assy, Lind.CD, 1 HP 59 RPM
37	13-3065-0		Frame, Drive Tube, Swivel, 8500P
38	26-1091-3		Clamp, Hose, Worm Drive
39	1601599		Wheel Assy, NFTrax



# Tower/Drive Tube Assembly

## Drive Tube Assembly, Non-Towable



Ref.	Original Part No.	Substitute Part No.	Description
1	03-0758-7		Frame, Drive Tube, Solid Mount
2	03-4184-2		Motor Assy, LCD, 3/4 HP, 43 RPM
3	03-4840-9		Wheel Assy, 11.2 x 24", Right
4	03-4841-7		Wheel Assy, 11.2 x 24", Left
5	03-4842-5		Wheel Assy, 14.9 x 24, Right
6	03-4843-3		Wheel Assy, 14.9 x 24, Left
7	03-4984-5		Motor Assembly, 1 HP, 30 RPM
8	04-0716-3		Shaft, Drive, 7/8", 59-1/4"
9	06-3415-4		Screw, 3/8-16 x 1-1/4" Hex, Gr. 5
10	06-08141		Washer, Lock, 1/2"
11	06-3415-4		Screw, 3/8-16 x 1-1/4", Hex, Gr. 5
12	06-3419-6		Nut, 3/8-16, Hex, Flange
13	06-3589-6		Bell, Drive Shaft End, 5-1/4"

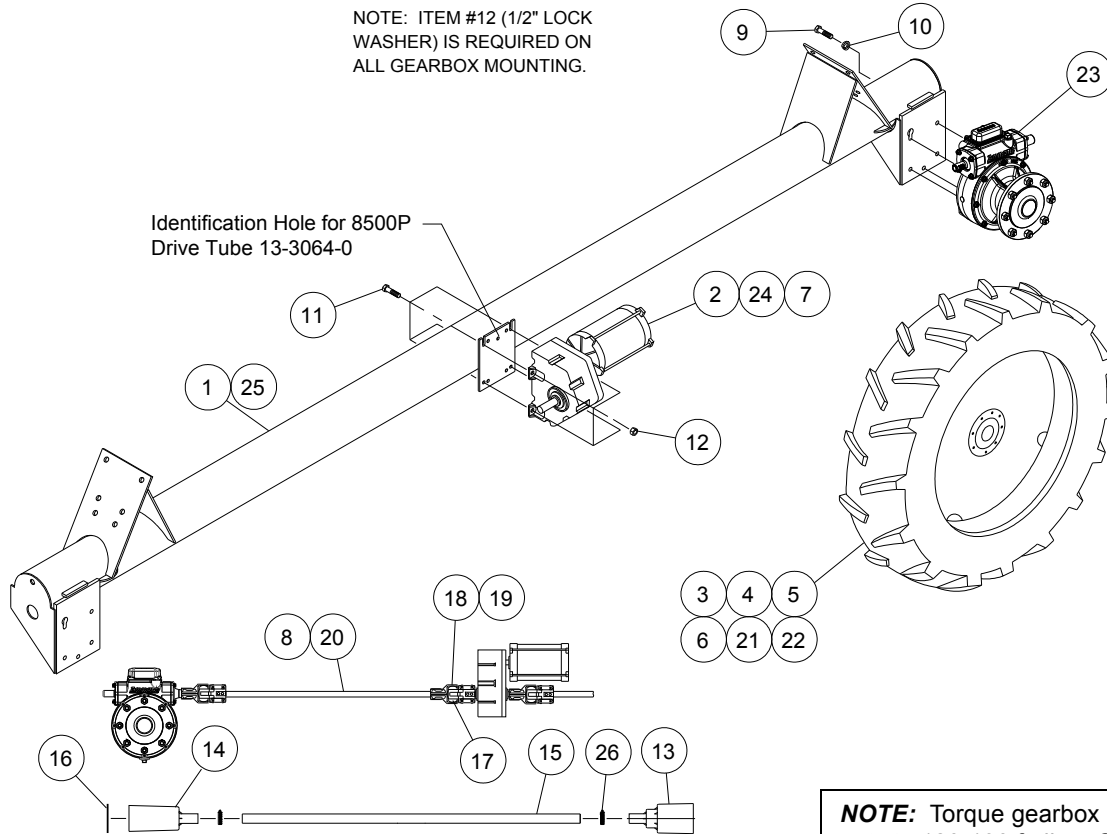
Ref.	Original Part No.	Substitute Part No.	Description
14	06-4378-3		Bell, Drive Shaft End
15	06-4442-7		Tube, Drive Shaft, 1-1/2" x 54"
16	14-9301-0		Washer, Drive Shaft Bell
17	10-0433-2		Insert, Drive Shaft Coupler
18	10-0435-7		Coupler, Kit, 7/8" Drive Shaft
19	10-1250-9		Coupler, Kit, 3/4" Drive Shaft
20	10-1774-8		Shaft, Drive, 3/4", 59-1/4"
21	11-5491-3		Wheel Assy, 11 x 22.5, R, Recap
22	11-5492-1		Wheel Assy, 11 x 22.5, L, Recap
23	13-9953-0	1605990	Gearbox, AT, Non-Tow
24	12-5327-0		Motor Assy, Lind. CD, 1 HP, 59 RPM
25	13-3064-0		Frame, Drive Tube, Solid, 8500P
26	26-1091-3		Clamp, Hose, Worm Drive
27	1601599		Wheel Assy, NFTrax



# Tower/Drive Tube Assembly

## Drive Tube Assembly - Non-Towable, 8500P

NOTE: ITEM #12 (1/2" LOCK WASHER) IS REQUIRED ON ALL GEARBOX MOUNTING.



**NOTE:** Torque gearbox lug nuts to 120-130 ft. lbs. Check again after 100 hours of operation.

Ref.	Part No.	Substitute Part No.	Description	Ref.	Part No.	Substitute Part No.	Description
1	3-0758-7		Frame, Drive Tube, Solid Mount	14	6-4378-3		Bell, Drive Shaft End, 4-1/8"
2	3-4184-2		Motor Assy, LCD, 3/4 HP, 43 RPM	15	6-4442-7		Tube, Drive Shaft, 1-1/2" x 54"
3	3-4840-9		Wheel Assembly, 11.2 x 24", Right	16	14-9301-0		Washer, Drive Shaft Bell
4	3-4841-7		Wheel Assembly, 11.2 x 24", Left	17	10-0433-2		Insert, Drive Shaft Coupler
5	3-4842-5		Wheel Assembly, 14.9 x 24, Right	18	10-0435-7		Coupler, Kit, 7/8" Drive Shaft
6	3-4843-3		Wheel Assembly, 14.9 x 24, Left	19	10-1250-9		Coupler, Kit, 3/4" Drive Shaft
7	3-4984-5		Motor Assembly, 1 HP, 30 RPM	20	10-1774-8		Shaft, Drive, 3/4", 59-1/4"
8	4-0716-3		Shaft, Drive, 7/8", 59-1/4"	21	11-5491-3		Wheel Assy, 11 x 22.5, R, Radial
9	6-0804-2		Screw, 1/2-13 x 1-1/4", Hex, Gr. 5	22	11-5492-1		Wheel Assy, 11 x 22.5, L, Radial
10	6-0814-1		Washer, Lock, 1/2"	23	13-9953-0	1605990	Gearbox, AT, Non-Tow
11	6-3415-4		Screw, 3/8-16 x 1-1/4" Hex, Gr. 5	24	12-5327-0		Motor Assy, Lind CD, 1HP, 59RPM
12	6-3419-6		Nut, 3/8-16, Hex, Flange	25	13-3064-0		Frame, Drive Tube, Sol Mnt, 8500P
13	6-3589-6		Bell, Drive Shaft End, 5-1/4"	26	26-1091-3		Clamp, Hose, Worm Drive

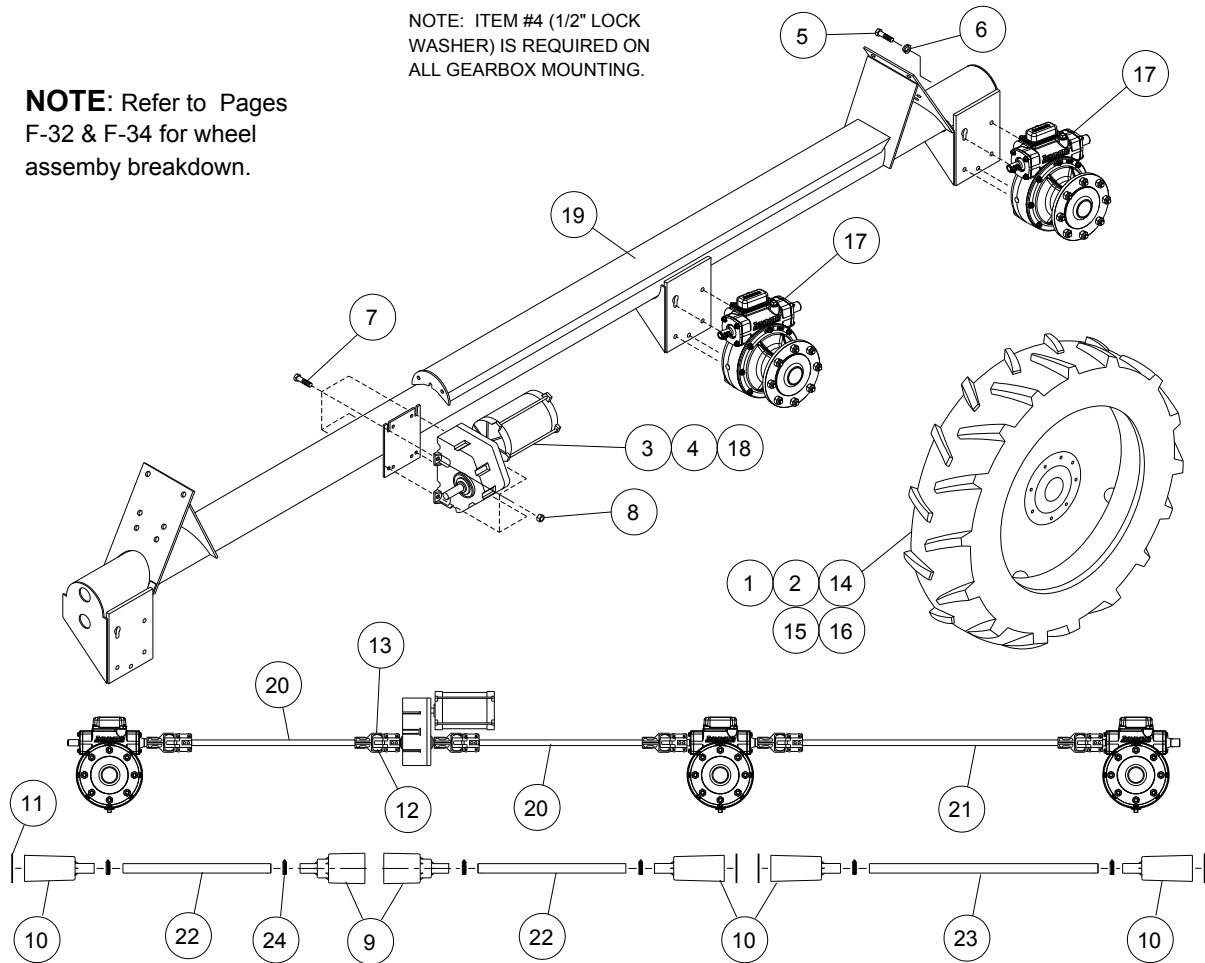


# Tower/Drive Tube Assembly

## Drive Tube Assembly, 3 Wheel

**NOTE:** Refer to Pages F-32 & F-34 for wheel assembly breakdown.

NOTE: ITEM #4 (1/2" LOCK WASHER) IS REQUIRED ON ALL GEARBOX MOUNTING.



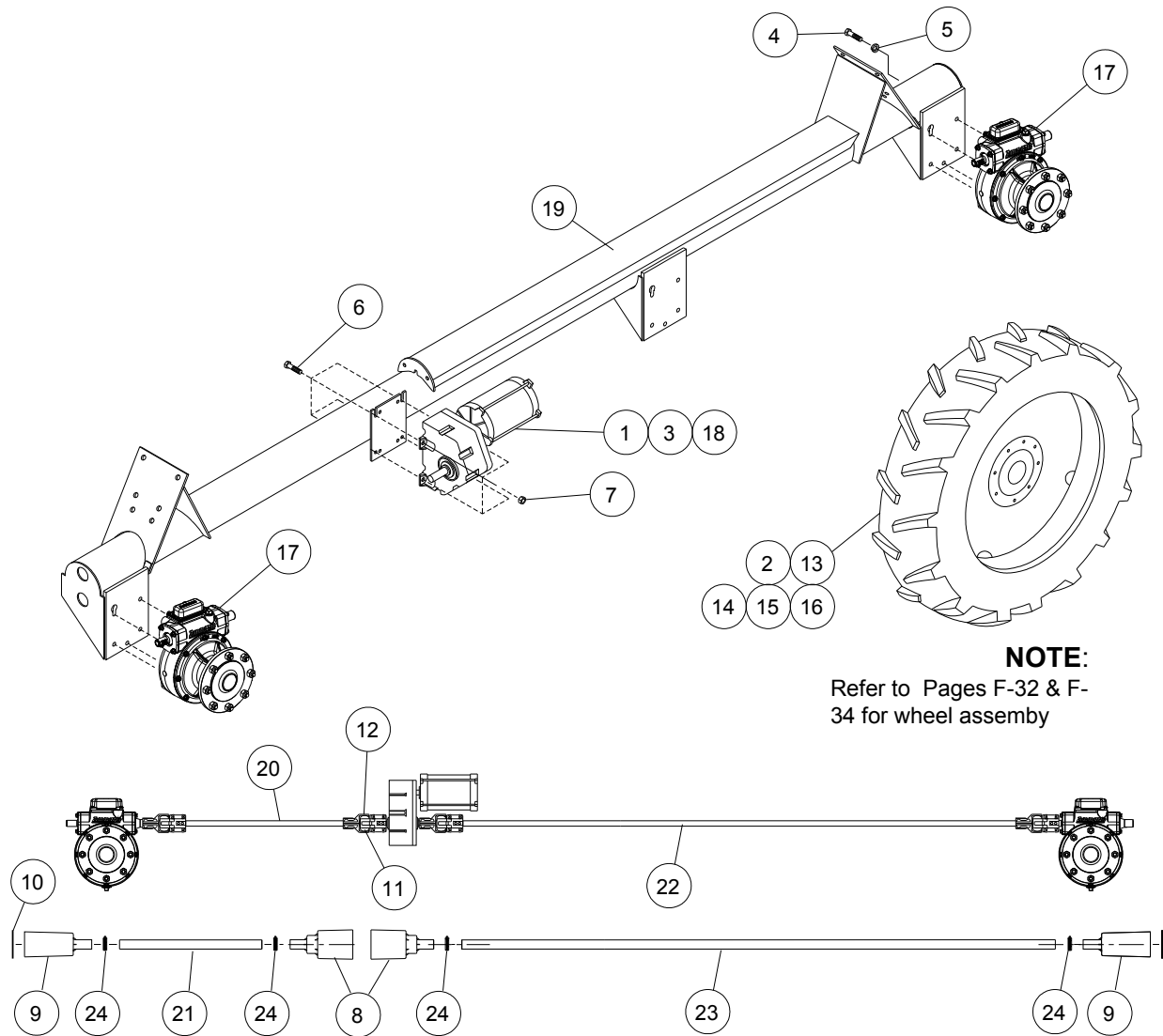
Ref.	Original Part No.	Substitute Part No.	Description
1	3-4845-8		Wheel Assy, 11 x 24.5L 8.25 Rim
2	3-1365-0		Wheel Assy, 14.9 x 24" 8" Rim
3	3-4184-2		Motor Assy, LCD,3/4 HP, 43 RPM
4	3-4984-5		Motor Assembly, 1 HP, 30 RPM
5	6-0804-2		Screw, 1/2-13 x 1-1/4", Hex, Gr. 5
6	6-0814-1		Washer, Lock, 1/2"
7	6-3415-4		Screw, 3/8-16 x 1-1/4", Hex, Gr. 5
8	6-3419-6		Nut, 3/8-16, Hex, Flange
9	6-3589-6		Bell, Drive Shaft, End, 5-1/4" O.D.
10	6-4378-3		Bell, Drive Shaft End, 4-1/8" O.D.
11	14-9301-0		Washer, Drive Shaft Bell
12	10-0433-2		Insert, Coupler, Non-Tow

Ref.	Original Part No.	Substitute Part No.	Description
13	10-0435-7		Coupler, Kit, 7/8" Drive Shaft
14	10-5864-3		Wheel Assy, 14.9 x 24L 12" Rim
15	10-5924-5		Wheel Assy, 11.2 x 24L 8" Rim
16	10-9100-8		Wheel Assy, 11.2 x 38L 10" Rim
17	13-9953-0	1605990	Gearbox, AT, Non-Tow
18	12-5327-0		Motor Assy, Lind. CD,1 HP,59 RPM
19	12-6159-0		Frame, Drive Tube, 3 Wheel Mount
20	12-6459-0		Shaft, Drive, 7/8", 28-1/8"
21	12-6462-0		Shaft, Drive, 7/8", 42-5/8"
22	12-6463-0		Tube, Drive Shaft, 1-1/2" x 23"
23	12-6464-0		Tube, Drive Shaft, 1-1/2" x 36-5/8"
24	26-1091-3		Clamp, Hose, Worm Drive



# Tower/Drive Tube Assembly

## Drive Tube Assembly, 3 Wheel with 2 Wheel Hardware



**NOTE:**  
Refer to Pages F-32 & F-34 for wheel assembly

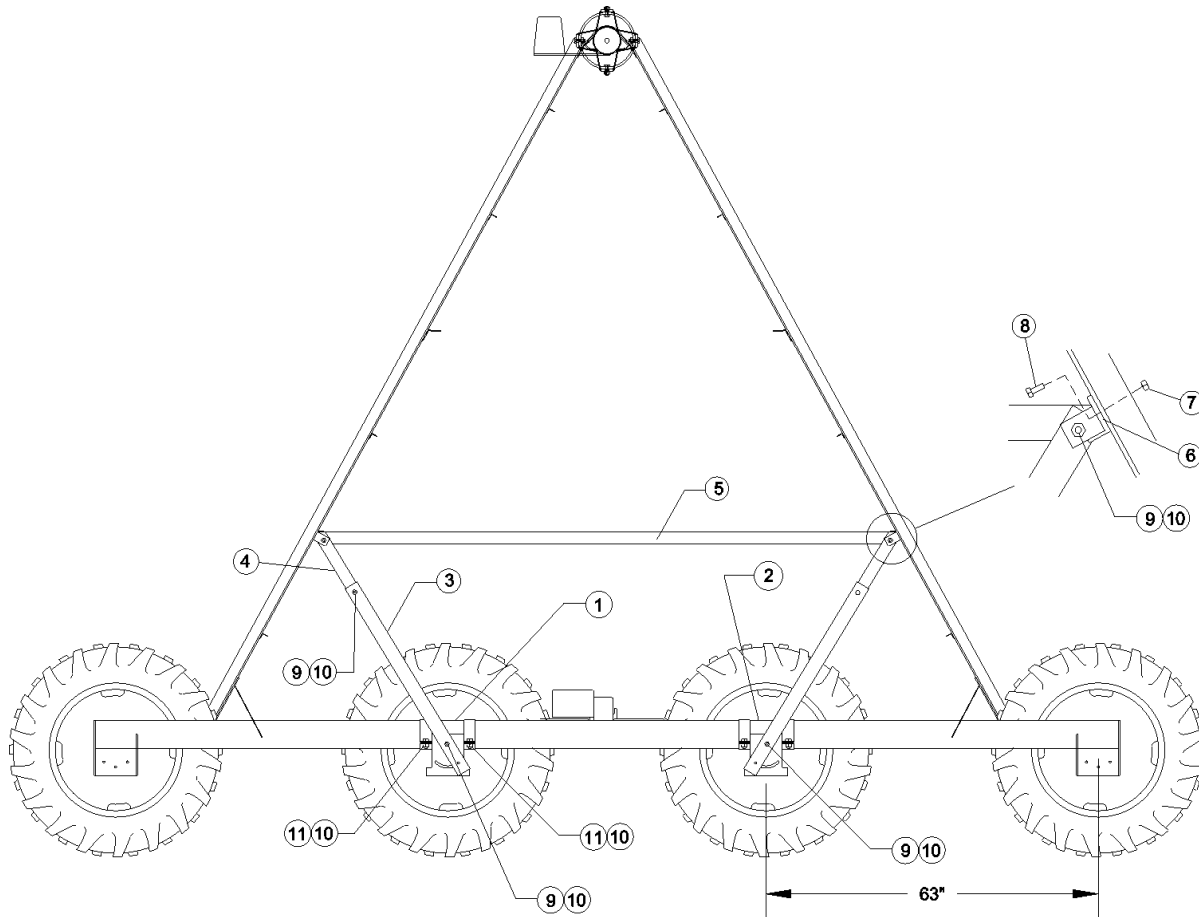
Ref.	Original Part No.	Substitute Part No.	Description
1	03-4184-2		Motor Assy, LCD, 3/4 HP, 43 RPM
2	03-4845-8		Wheel Assy, 11 x 24.5L 8.25 Rim
3	03-4984-5		Motor Assembly, 1 HP, 30 RPM
4	06-0804-2		Screw, 1/2-13 x 1-1/4", Hex, Gr. 5
5	06-0814-1		Washer, Lock, 1/2"
6	06-3415-4		Screw, 3/8-16 x 1-1/4", Hex, Gr. 5
7	06-3419-6		Nut, 3/8-16, Hex, Flange
8	06-3589-6		Bell, Drive Shaft, End, 5-1/4" O.D.
9	06-4378-3		Bell, Drive Shaft, End, 4-1/8" O.D.
10	14-9301-0		Washer, Drive Shaft Bell
11	10-0433-2		Insert, Drive Shaft Coupler
12	10-0435-7		Coupler, Kit, 7/8" Drive Shaft

Ref.	Original Part No.	Substitute Part No.	Description
13	3-1365-0		Wheel Assy, 14.9 x 24 on 8" Rim
14	10-5864-3		Wheel Assy, 14.9 x 24 on 12" Rim
15	10-5924-5		Wheel Assy, 11.2 x 24
16	10-9100-8		Wheel Assy, 11.2 x 38
17	13-9953-0	1605990	Gearbox, AT, Non-Tow
18	12-5327-0		Motor Assy, Lind.CD, 1 HP, 59 RPM
19	12-6159-0		Frame, Drive Tube, 3 Wheel Mount
20	12-6459-0		Shaft, Drive, 7/8", 28-1/8"
21	12-6463-0		Tube, Drive Shaft, 1-1/2" x 23"
22	14-1050-0		Shaft, Drive, 7/8", 91"
23	14-1051-0		Tube, Drive Shaft, 1-1/2" x 85-3/4"
24	26-1091-3		Clamp, Hose, Worm Drive



# Tower/Drive Tube Assembly

## Drive Conversion, 3 to 4 Wheel



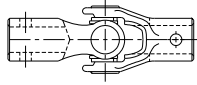
**NOTE:** Space inner wheels 63", center to center, from the outside wheels.

Ref.	Original Part No.	Substitute Part No.	Description
1	1165182		Support, Gearbox
2	1600581		Support, Gearbox, Right
3	1165265		Brace, Outer Support
4	1165257		Brace Weld, Inner Support
5	1600586		Stab., Tower, 137-1/2", HC, GA
6	1600584		Support, Weld, Upper Brace, HC
7	0608042		Screw, 1/2-13 x 1-1/4", Hex, GR 5,ZPY
8	0624189		Nut, 1/2-13,Lock, A563-GR A, ZN
9	0633370		Screw, 5/8-11 x 4", Hex, Gr 5, ZN
10	0624163		Nut, 5/8-11, Lock, A563-Gr A, ZN
11	0624064		Screw, 5/8-11 x 2-1/2", Hex, Gr 5, ZN

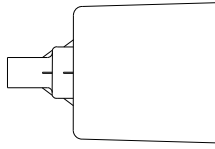


# Tower/Drive Tube Assembly

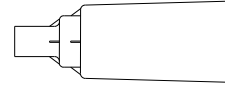
## Driveline Replacement Parts



6-4708-1 JOINT, UNIVERSAL, 3/4 x 1, 6R  
10-4982-4 JOINT, UNIVERSAL, 7/8 x 1, 6R



6-3589-6  
BELL, DRIVE SHAFT END, 5-1/4" O.D.



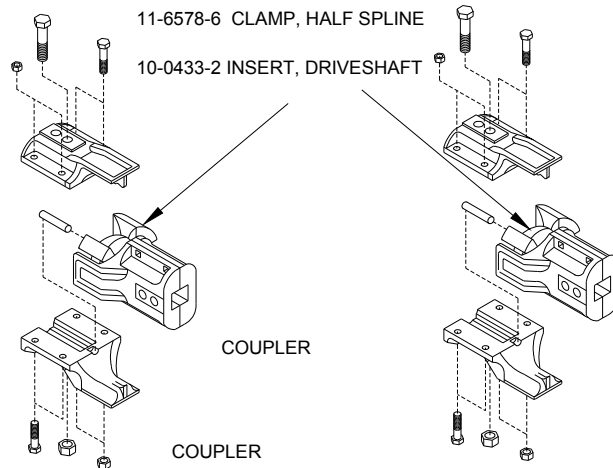
6-4378-3  
BELL, DRIVE SHAFT END, 4-1/8" O.D.



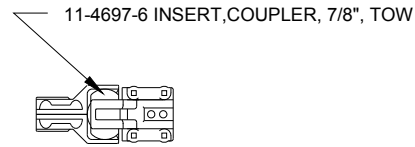
6-4442-7 TUBE, DRIVESHAFT, 1-1/2" x 54"  
6-3590-4 TUBE, DRIVESHAFT, 1-1/2" x 60"

### 11-6579-4 KIT, SPLINE COUPLER BOLT

- 1 EACH NUT, 3/8-16, LOCK, 2-WAY, GR. A, PLATED
- 1 EACH SCREW, 3/8-16 x 2-1/4, HHCS, GR. 5, PLATED
- 8 EACH SCREW, 1/4-20 x 1, CARRIAGE, GR. 5, PLATED
- 8 EACH NUT, 1/4-20, LOCK, 2-WAY, GR. A, PLATED
- 1 EACH ROD, 3/8" x 2-9/16"



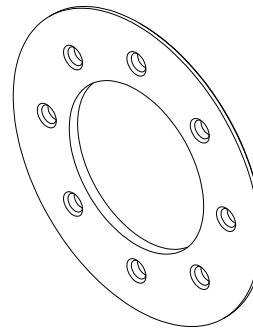
11-6578-6 CLAMP, HALF SPLINE  
10-0433-2 INSERT, DRIVESHAFT  
10-1250-9 COUPLER, 3/4 DRIVESHAFT  
10-0435-7 COUPLER, 7/8 DRIVESHAFT



11-4697-6 INSERT, COUPLER, 7/8", TOW  
11-4698-4 COUPLER, 7/8", TOWABLE

Ref.	Original Part No.	Substitute Part No.	Description
1	06-3589-6		Bell, Drive Shaft End
2	06-3590-4		Tube, Drive Shaft Cover, 60"
3	06-4378-3		Bell, Drive Shaft End
4	06-4442-7		Tube, Drive Shaft, 1-1/2" x 54"
5	06-4708-1		Joint, Universal, 3/4" Sq.
6	10-0433-2		Insert, Coupler, Non-Tow
7	10-0435-7		Coupler, Kit, 7/8" Drive Shaft
8	10-1250-9		Coupler, Kit, 3/4" Drive Shaft
9	10-4982-4		Joint, Universal, 7/8" Sq.
10	11-4697-6		Insert, Coupler, Towable
11	11-4698-4		Coupler Kit, Towable 7/8" Shaft
12	11-6578-6		Clamp, Half Spline Coupler
13	11-6579-4		Kit, Spline Coupler Bolt

## Wheel, Weld in Center Hub



Ref.	Original Part No.	Substitute Part No.	Description
1	13-9287-0		Wheel, Weld in Center Hub



# Tower/Drive Tube Assembly

## Wheel Assemblies

Ref.	Original Part No.	Substitute Part No.	Description	Rim Part No.
1	03-1364-3		Wheel Assembly, 14.9 x 24, w/Tube, R	3-7470-2
2	03-1365-0		Wheel Assembly, 14.9 x 24, w/Tube, L	3-7470-2
3	03-4631-2		Wheel Assembly, Rice, 14.9 x 24, Right	10-4688-7
4	03-4632-0		Wheel Assembly, Rice, 14.9 x 24, Left	10-4688-7
5	03-4838-3		Wheel Assembly, 16.9 x 24, w/Tube, R	3-4837-5
6	03-4839-1		Wheel Assembly, 16.9 x 24, w/Tube, L	3-4837-5
7	03-4840-9		Wheel Assembly, 11.2 x 24, New, R	3-7470-2
8	03-4841-7		Wheel Assembly, 11.2 x 24, New, L	3-7470-2
9	03-4842-5		Wheel Assembly, 14.9 x 24, Right	3-7470-2
10	03-4843-3		Wheel Assembly, 14.9 x 24, Left	3-7470-2
11	03-4844-1		Wheel Assembly, 11 x 24.5, R, Recap	11-5713-0
12	03-4845-8		Wheel Assembly, 11 x 24.5, L, Recap	11-5713-0
13	10-5913-8		Wheel Assembly, Turf, 16.9 x 24, w/Tube	3-4837-5
14	10-5914-6		Wheel Assembly, Turf, 14.9 x 24, w/Tube	3-4837-5
15	10-9099-2		Wheel Assembly, 11.2 x 38, w/Tube, R	10-9098-4
16	10-9100-8		Wheel Assembly, 11.2 x 38, w/Tube, L	10-9098-4
17	11-0993-3		Wheel Assembly, 16" x 8, Bolt, Recap, w/Tube	11-2724-0
18	11-2668-9		Wheel Assembly, 14.9 x 24 x 12 x 3/8", R.H.	11-2667-1
19	11-2669-7		Wheel Assembly, 14.9 x 24 x 12 x 3/8", L.H.	11-2667-1
20	11-2722-4		Wheel Assembly, 16.9 x 24 x 15 x 3/8", R.H.	11-2721-6
21	11-2723-2		Wheel Assembly, 16.9 x 24 x 15 x 3/8", L.H.	11-2721-6
22	11-5491-3		Wheel Assembly, 11 x 22.5 (R) Recap, Radial	11-5489-7
23	11-5492-1		Wheel Assembly, 11 x 22.5 (L) Recap, Radial	11-5489-7
24	11-5705-6		Wheel Assy, 11.2 x 38, R, Tubeless	10-9098-4
25	11-5706-4		Wheel Assy, 11.2 x 38, L, Tubeless	10-9098-4
26	14-0454-0		Wheel Assy, Valley, 14.9 x 24, R	14-0464-0
27	14-0455-0		Wheel Assy, Valley, 14.9 x 24, L	14-0464-0
28	14-0456-0		Wheel Assy, Valley, 11.2 x 38, R	14-0462-0
29	14-0457-0		Wheel Assy, Valley, 11.2 x 38, L	14-0462-0
30	14-0458-0		Wheel Assy, Valley, 11.2 x 24, R	14-0463-0
31	14-0459-0		Wheel Assy, Valley, 11.2 x 24, L	14-0463-0
32	14-0460-0		Wheel Assy, Valley, 16.9 x 24, R	14-0464-0
33	14-0461-0		Wheel Assy, Valley, 16.9 x 24, L	14-0464-0

**NOTE:** For Rim size on Wheel Assemblies, see Rim Part No. column above and refer to table below.

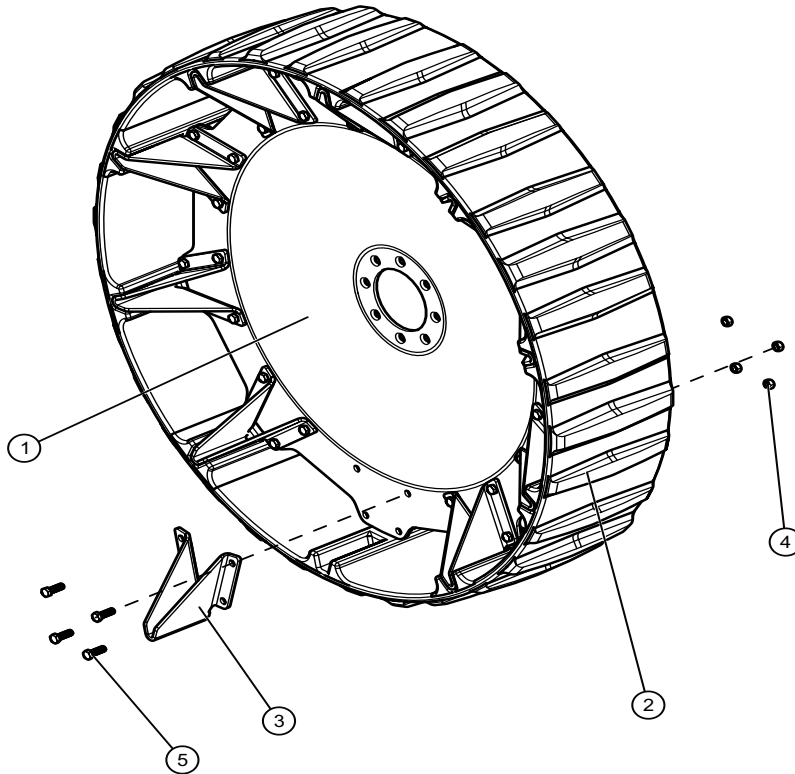
## Rims

Ref.	Original Part No.	Substitute Part No.	Description
1	03-4837-5		Rim, Wheel, 15" x 24"
2	03-7470-2		Rim, Wheel, 8" x 24", w/Offset
3	10-4791-9		Rim, Wheel, 8" x 22", w/Offset
4	10-4688-7		Rim, Wheel, 12" x 24"
5	10-9098-4		Rim, Wheel, 10" x 38"
6	11-2721-6		Rim, Wheel, 15" x 24" x 3/8"
7	11-2724-0		Rim, Wheel, 6" x 16", 8 Bolt
8	11-2667-1		Rim, Wheel, 12" x 24" x 3/8"
9	11-5489-7		Rim, Wheel, 8.25 x 22.5
10	14-0462-0		Rim, Wheel, 10 x 38, Valley
11	14-0463-0		Rim, Wheel, 8 x 24, Valley
12	14-0464-0		Rim, Wheel, 15 x 24, Valley



# Tower/Drive Tube Assembly

NFTRAX



Ref.	Original Part No.	Substitute Part No.	Description
1	1601593		Rim, Center, 5/16" Thick, NFT
2	1600955		Track, Straight Bar, 12.5 Wide
3	1601594		Drive Point, NFT, 5/16"
4	0624189		Nut, 1/2-13, Lock, A563
5	2607604		Screw, 1/2-13 x 1-1/2", Hex, Gr. 5



# Tower/Drive Tube Assembly

## Tires

Ref.	Original Part No.	Substitute Part No.	Description
1	06-0910-7		Tire, New, 11.2 x 24, 4 Ply
2	06-2202-7		Tire, New, 14.9 x 24, 4 Ply
3	06-3247-1		Tire, New, 16.9 x 24, 8 Ply
4	06-3519-3		Tire, Rice, R-20, w/Tube, 14.9 x 24
5	10-4700-0	N/A	Tire, Recap, 10 x 22
6	10-5912-0		Tire, Turf, 14.9 x 24, 6 Ply
7	10-9059-6		Tire, Turf, 16.9 x 24, 6 Ply, Tubeless
8	10-9090-1		Tire, Recapped, 10 x 20
9	10-9575-1		Tire, Recap, 11 x 24.5, Radial
10	11-4558-0		Tire, Recap, Rib Implement, 235R15
11	11-5490-5		Tire, Recap, 11 x 22.5, Radial
12	11-5704-9		Tire, 11.2 x 38 w/o Tube

## Tubes

Ref.	Original Part No.	Substitute Part No.	Description
1	06-0920-6		Tube, Tire, 11.2" x 24" TR 415, 2-1/4" Offset
2	06-0950-3		Tube, Tire, 14.9" x 24"
3	10-9429-1		Tube, Tire, 11.2" x 38"
4	11-4683-6		Tube, Tire, 16.9" x 24"

## Valves

Ref.	Original Part No.	Substitute Part No.	Description
1	06-4434-4		Valve, Tubeless Tire, Snap-In

## Cable, Electric, 4#14

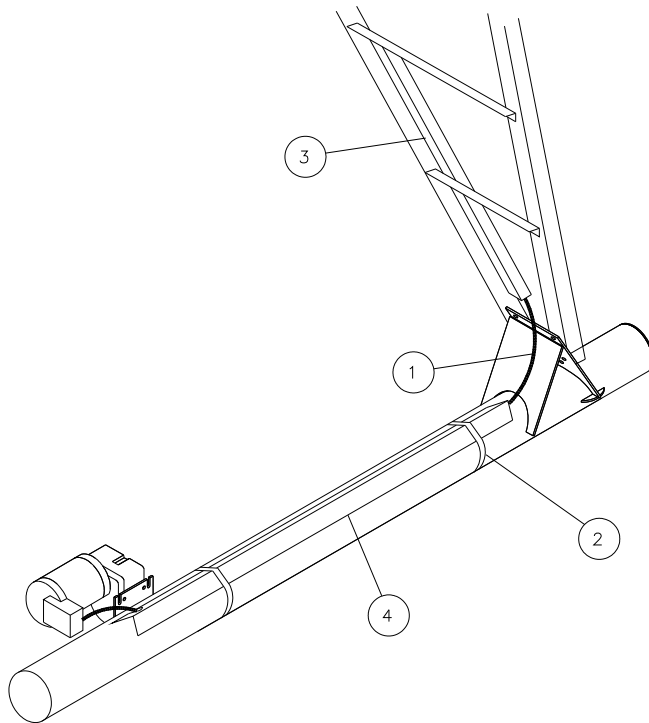
Ref.	Original Part No.	Substitute Part No.	Description
1	03-0116-8		Cable, Electric, 4#14 x 51'
2	03-0126-7		Cable, Electric, 4#14 x 74'
3	03-0127-5		Cable, Electric, 4#14 x 96'
4	03-1190-2		Cable, Electric, 4#14 x 18'4"
5	03-3187-6		Cable, Electric, 4#14 x 6'
6	03-4027-3		Cable, Electric, 4#14 x 7'
7	03-4029-9		Cable, Electric, 4#14 x 17'6"
8	03-4657-7		Cable, Electric, 4#14 x 29'4"
9	03-5701-2		Cable, Electric, 4#14 x 16'8"
10	03-5702-0		Cable, Electric, 4#14 x 19'8"
11	03-6737-5		Cable, Electric, 4#14 x 14'8"
12	03-7796-0		Cable, Electric, 4#14 x 9'
13	03-8272-1		Cable, Electric, 4#14 x 8'
14	09-8822-0		Wire, Electric, 4#14, Shielded

**NOTE:** Item 14, 09-8822-0, is for one foot. Specify number of feet needed when ordering.



# Tower/Drive Tube Assembly

## Cattle Protector



Ref.	Original Part No.	Substitute Part No.	Description
1	03-5702-0		Cable, Elect., 4#14 x 19' x 8"
2	06-3863-5		Clamp, T-Bolt, 6-5/8"
3	10-4649-9		Angle, Cattle Protector, 42"
4	10-4650-7		Angle, Cattle Protector, 68"

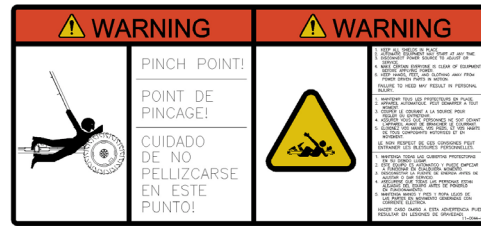


# Tower/Drive Tube Assembly

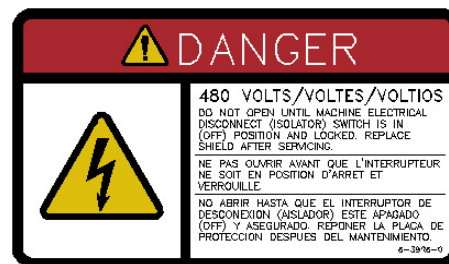
## Safety Decals, Tower



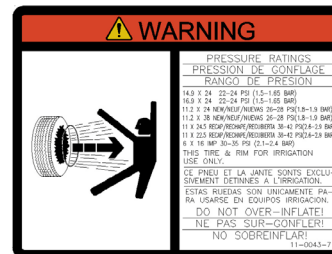
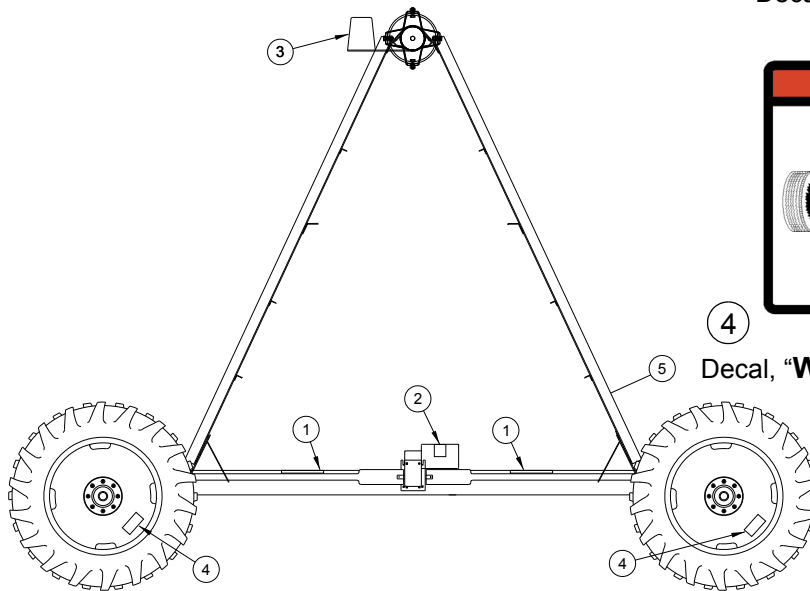
- ② 14-2456-0  
Nameplate, Lindsay CD, 3/4 HP, 43 RPM
- 14-4438-0  
Nameplate, Lindsay CD, 1 1/2 HP, 86 RPM
- 06-3964-1  
Nameplate, Lindsay CD, 1 HP, 30 RPM
- 14-3220-0  
Nameplate, Lindsay CD, 3/4 HP, 43 RPM, 380V



① 11-0044-5  
Decal, "WARNING", Pinch Point/Drive Shaft



③ 06-3926-0  
Decal, "DANGER" Tower Panel



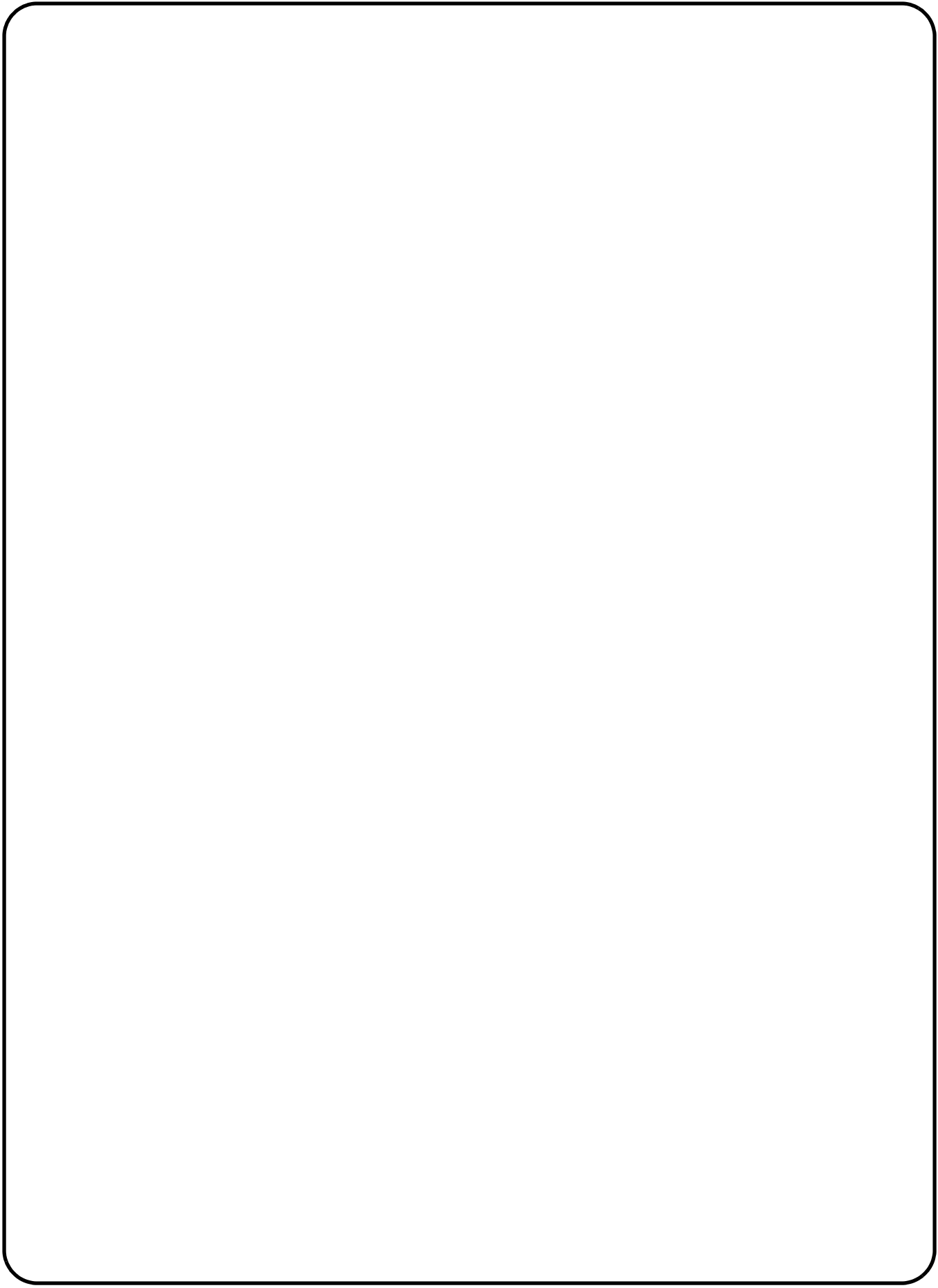
④ 11-0043-7  
Decal, "WARNING", Tire Pressure

Ref.	Original Part No.	Substitute Part No.	Description
1	14-2456-0		Nameplate, Lindsay CD, 3/4 HP, 43 RPM
2	14-4438-0		Nameplate, Lindsay CD, 1-1/2 HP, 86 RPM
3	06-3926-0		Decal, "Danger", Tower Panel
4	06-3964-1		Nameplate, Lindsay CD, 1 HP, 30 RPM
5	14-3220-0		Nameplate, Lindsay CD, 3/4 HP, 43RPM, 380V
6	11-0043-7		Decal, "Warning", Tire Pressure
7	11-0044-5		Decal, "Warning", Pinch Point/Drive Shaft



## Table of Contents

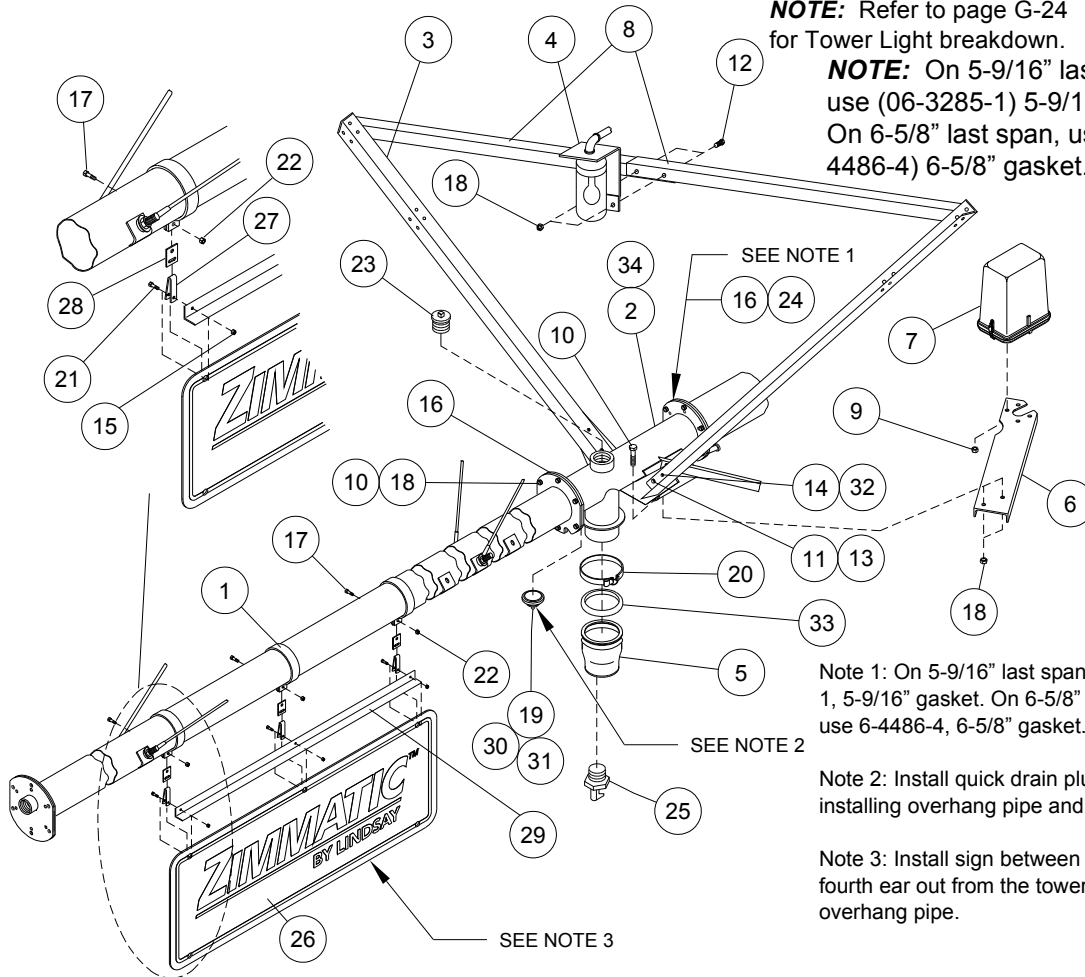
<b>Overhangs</b> .....	G-3
Overhang Sign and End Tower Joint Assembly.....	G-3
Sign and End Tower Joint Assembly, 8500P .....	G-4
Overhang Assembly, 5-9/16", 11' and 22' .....	G-5
Overhang Assembly, 6-5/8", 11' and 22', Stainless Steel.....	G-7
Overhang Assembly, 5-9/16", 33' .....	G-9
Overhang Assembly, 6-5/8", 33', Stainless Steel, Poly-Lined and Aluminum .....	G-11
Overhang Assembly, 5-9/16", 44' .....	G-13
Overhang Assembly, 5-9/16", 55' .....	G-15
Overhang Assembly, 5-9/16"- 66' .....	G-17
Overhang Assembly, 5-9/16"- 88' .....	G-19
Overhang Assembly, 5-9/16", 88' For 201' Span Only, w/0181640 Cable Kit (Opt.) .....	G-21
Overhang Assembly, 5-9/16"- 55', 66' or 88', w/7'8" or 11' Extension ....	G-23
Sign and End Tower Joint Assembly, Stainless Steel.....	G-24
6-5/8" Last Tower Joint w/6" Male Drop.....	G-25
Overhang Assembly, 6-5/8", 22', Stainless Steel .....	G-26
Overhang Assembly, 6-5/8", 22', Aluminum	
Overhang Assembly, 6-5/8", 22', Poly-Lined .....	G-26
Overhang Assembly, 6-5/8", 22', Stainless Steel .....	G-27
Overhang Assembly, 6-5/8", 44', Stainless Steel (Uses two Half Pipe)	
Overhang Assembly, 6-5/8", 44', Aluminum	
Overhang Assembly, 6-5/8", 44', Poly-Lined (Uses two Half Pipe) .....	G-28
Joint Flush-out Kit, 10-0762-4 .....	G-30
Sand trap, Cap .....	G-31
Tower Light Detail, 3-1330-4 .....	G-32
Light and Sign Mount, w/o Overhang .....	G-32
LED Overhang Lighting .....	G-33





# G Overhangs

## Overhang Sign and End Tower Joint Assembly



**NOTE:** Refer to page G-24 for Tower Light breakdown.

**NOTE:** On 5-9/16" last span, use (06-3285-1) 5-9/16" gasket. On 6-5/8" last span, use (06-4486-4) 6-5/8" gasket.

Note 1: On 5-9/16" last span, use 6-3285-1, 5-9/16" gasket. On 6-5/8" last span, use 6-4486-4, 6-5/8" gasket.

Note 2: Install quick drain plug before installing overhang pipe and raising span.

Note 3: Install sign between third and fourth ear out from the tower on 5-9/16" overhang pipe.

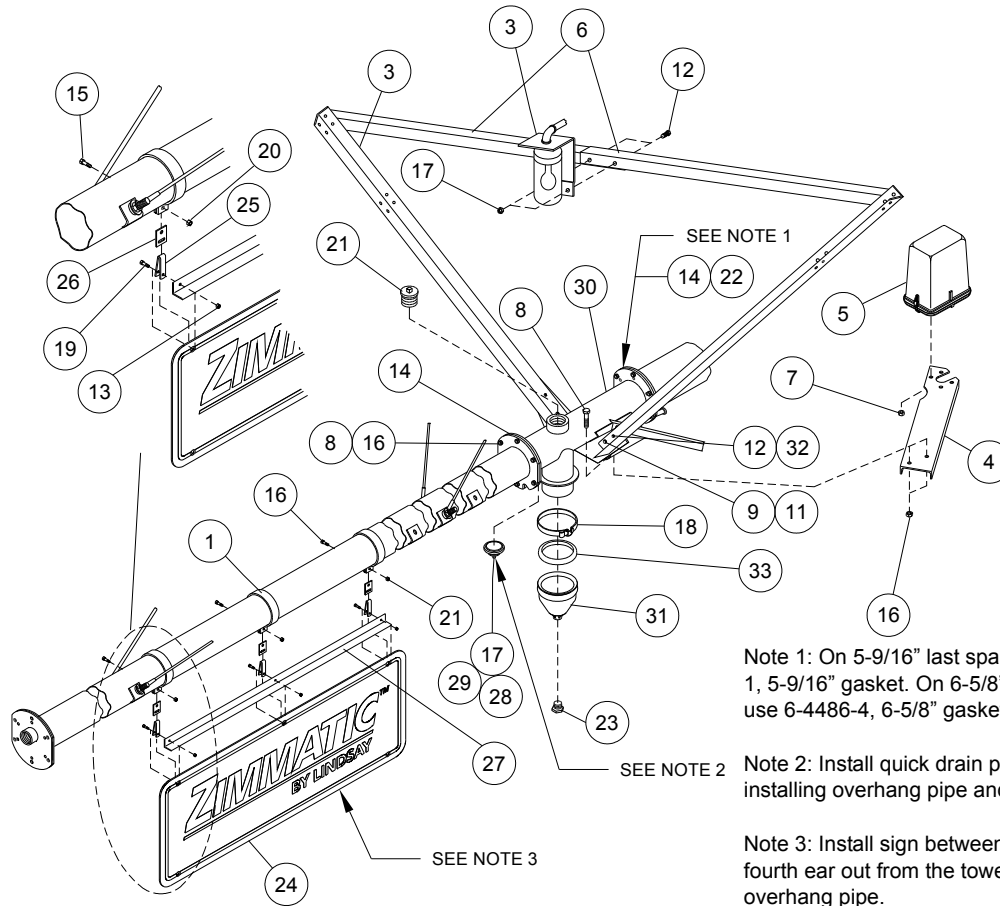
Ref.	Original Part No.	Substitute Part No.	Description
1	03-0177-0		Strap, Sign Mount, 5-9/16"
2	03-0706-6		Joint, Last Tower, w/Anchor
3	03-0893-2		Leg, Overhang, w/Anchor Joint
4	03-1330-4		Light Assembly, Last Tower
5	03-4727-8		Cap, Sand Trap, 5-9/16"
6	03-6760-7		Mount, Tower Panel
7	03-7988-3		Panel, Tower Control, Last, 10W
8	03-8202-8		Tie, Overhang, Half
9	06-0262-3		Nut, 5/16-18, Lock, Nylon Insert
10	06-0803-4		Screw, 3/8-16 x 1-1/2", Hex, Gr. 5
11	06-0839-8		Screw, 5/8-11 x 1-1/2", Hex, Gr. 5
12	06-2221-7		Screw, 3/8-16 x 1", Hex, Gr. 5
13	06-2416-3		Nut, 5/8-11, Lock
14	06-2418-9		Nut, 1/2-13, Lock
15	06-2419-7		Nut, 1/4-20, Lock
16	06-3285-1		Gasket, Flange, Zimmatic, 5-9/16"
17	06-3358-6		Screw, 5/16-18 x 1-1/4", Hex, Gr. 5

Ref.	Original Part No.	Substitute Part No.	Description
18	06-3419-6		Nut, 3/8-16, Flange, Toplock
19	06-3509-4		Plug, Drain, 0-75 PSI, Multi-Prs, Red
20	06-3712-4		Clamp, Ringlock, 5" Steel Coupler
21	06-3936-9		Screw, 1/4-20 x 1", Hex, Gr. 5
22	06-4364-3		Nut, 5/16-18, Lock
23	06-4444-3		Plug, 2-1/2", Pipe, PVC, Sch. 40
24	06-4486-4		Gasket, 6-5/8", Pipe Flange
25	10-4185-4		Nozzle, Senninger, 180, #10, 5/32
26	1600181		Sign, Zimmatic By Lindsay
27	10-7379-0		Clevis, Sign
28	10-7380-8		Hanger, Sign
29	10-9598-3		Bracket, Sign, Zimmatic
30	11-3324-8		Plug, Drain, 50-150 PSI, High Prs, Wh
31	11-3466-7		Plug, Drain, 5-30 PSI, Low Prs (Blk)
32	26-0760-4		Screw, 1/2-13 x 1-1/2", Hex, Gr. 5
33	66-1050-5		Gasket, Round Back, Pierce, 5"
34	11-5448-3		Joint, Last Tower, Fr., 6-5/8" Span



# Overhangs

## Sign and End Tower Joint Assembly, 8500P



Note 1: On 5-9/16" last span, use 6-3285-1, 5-9/16" gasket. On 6-5/8" last span, use 6-4486-4, 6-5/8" gasket.

Note 2: Install quick drain plug before installing overhang pipe and raising span.

Note 3: Install sign between third and fourth ear out from the tower on 5-9/16" overhang pipe.

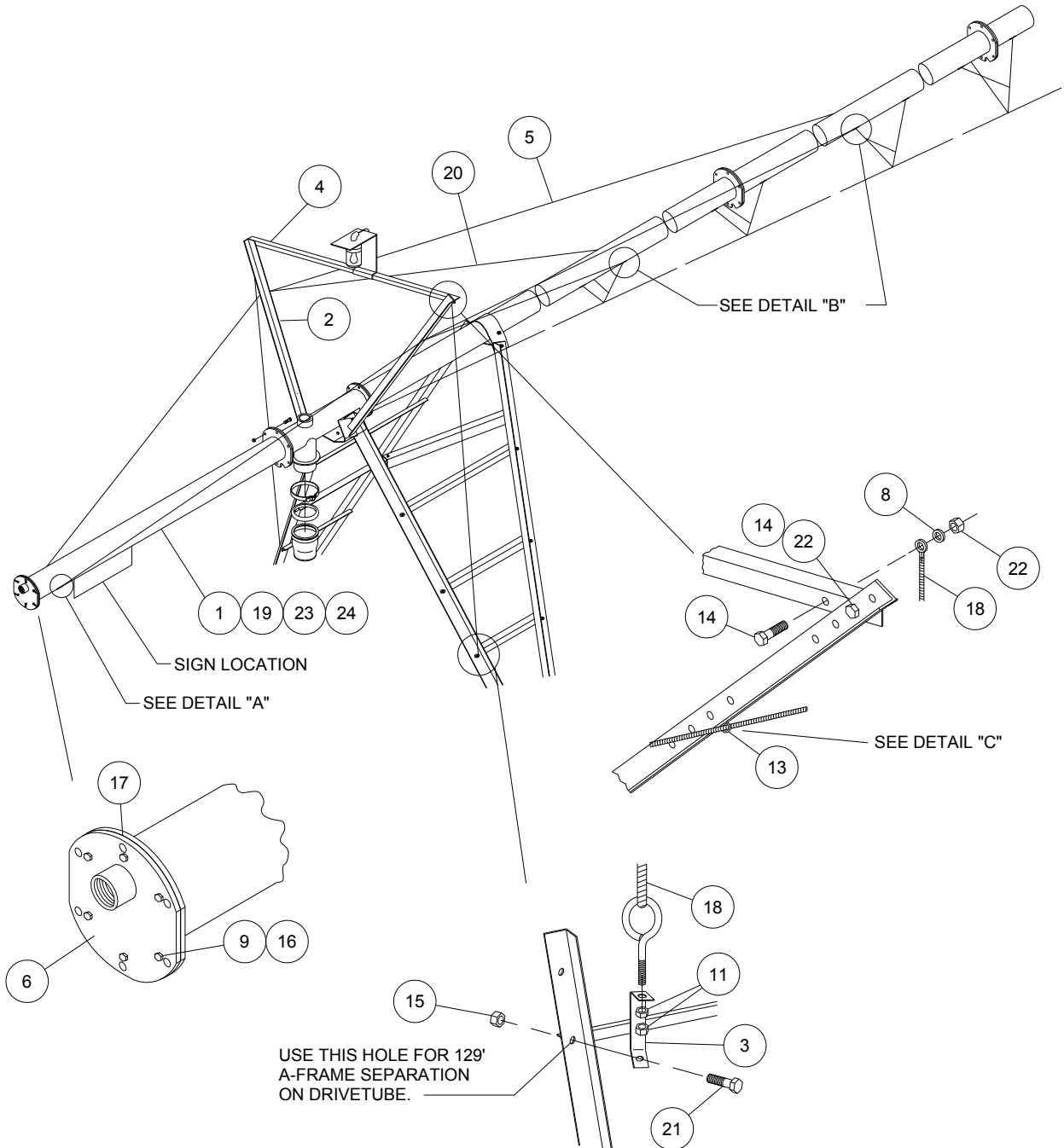
Ref.	Part No.	Description
1	3-0177-0	Strap, Sign Mount, 5-9/16"
2	3-0893-2	Leg, Overhang, w/Anchor Joint, 84"
3	3-1330-4	Light Assembly, Last Tower
4	3-6760-7	Mount, Tower Panel
5	3-7988-3	Panel, Tower Control, Last, 10 Wire
6	3-8202-8	Tie, Overhang, Half, 58"
7	6-0262-3	Nut, 5/16-18, Lock, Nylon Insert
8	6-0803-4	Screw, 3/8-16 x 1-1/2", Hex, Gr. 5
9	6-0839-8	Screw, 5/8-11 x 1-1/2", Hex, Gr. 5
10	6-2221-7	Screw, 3/8-16 x 1", Hex, Gr. 5
11	6-2416-3	Nut, 5/8-11, Lock
12	6-2418-9	Nut, 1/2-13, Lock
13	6-2419-7	Nut, 1/4-20, Lock
14	6-3285-1	Gasket, Flange, Zimmatic, 5-9/16"
15	6-3358-6	Screw, 5/16-18 x 1-1/4", Hex, Gr. 5
16	6-3419-6	Nut, 3/8-16, Flange, Toplock
17	6-3509-4	Plug, Quick Drain, Multi-Pressure (Red)

Ref.	Part No.	Description
18	6-3712-4	Clamp, Ringlock, 5" Steel Coupler
19	6-3936-9	Screw, 1/4-20 x 1", Hex, Gr. 5
20	6-4364-3	Nut, 5/16-18, Lock
21	6-4444-3	Plug, 2-1/2", Pipe, PVC, Schedule 40
22	6-4486-4	Gasket, 6-5/8", Pipe Flange
23	10-4185-4	Nozzle, Senninger, 180, #10, 5/32
24	1600181	Sign, Zimmatic By Lindsay
25	10-7379-0	Clevis, Sign
26	10-7380-8	Hanger, Sign
27	10-9598-3	Bracket, Sign, Zimmatic
28	11-3324-8	Plug, Quick Drain, High Pressure (White)
29	11-3466-7	Plug, Quick Drain, Low Pressure (Black)
30	11-5448-3	Joint, Last Tower for 6-5/8" Span
31	14-7039-0	Cap, Sand Trap, 5-9/16"
32	26-0760-4	Screw, 1/2-13 x 1-1/2", Hex, Gr. 5
33	66-1050-5	Gasket, Round Back, Pierce, 5"



# Overhangs

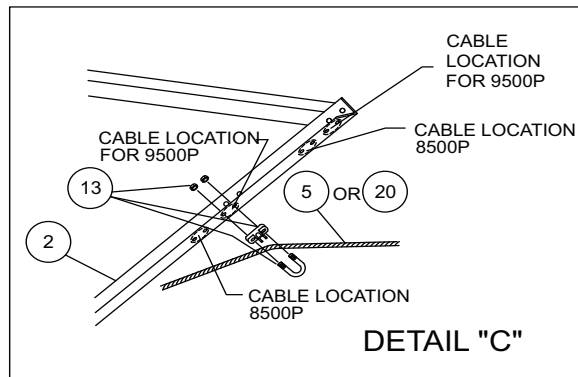
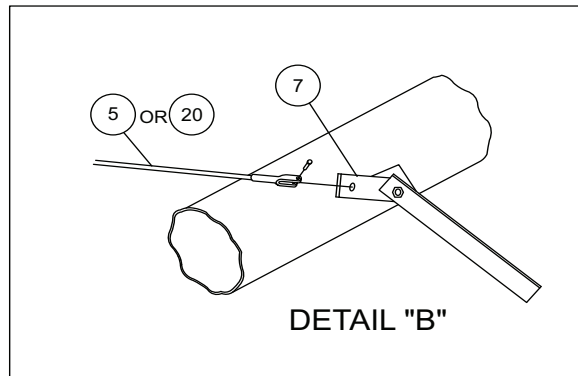
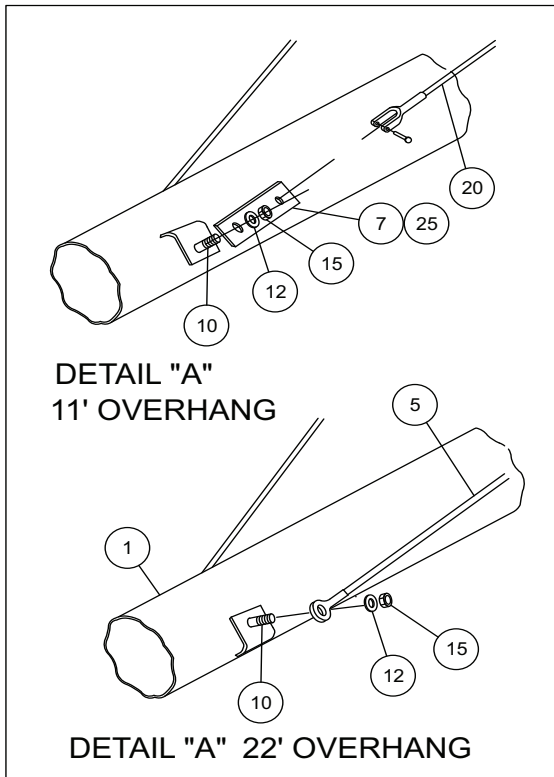
## Overhang Assembly, 5-9/16", 11' and 22'





# Overhangs

## Overhang Assembly, 5-9/16", 11' and 22'



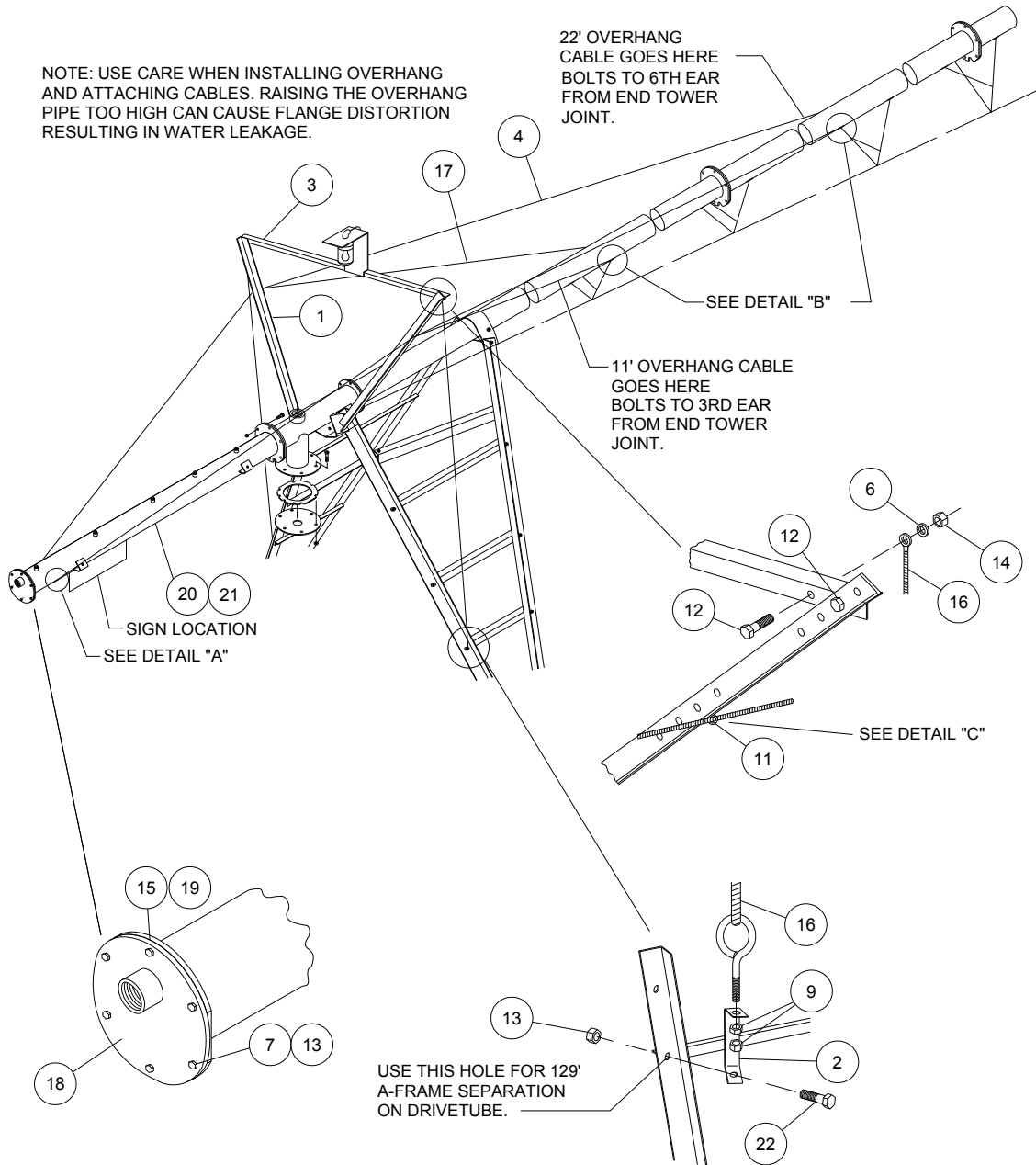
Ref.	Original Part No.	Substitute Part No.	Description
1	11-3650-6		Pipe, Half, 5-9/16", 90" Outlet
2	03-0893-2		Leg, Overhang, w/Anchor Joint
3	03-4717-9		Bracket, Drop Cable, Tie Down
4	03-8202-8		Tie, Overhang, Half
5	03-8209-3		Cable, Overhang, w/Pin, 82' 5-1/2"
6	04-0085-3		Cap, Overhang Pipe, w/2-1/2" Coupling
7	04-8208-3		Eyelet, Tie Back Cable
8	06-0250-8		Washer, Flat, 3/8"
9	06-0803-4		Screw, 3/8-16 x 1-1/2", Hex, Gr. 5
10	06-0805-9		Screw, 1/2-13 x 2", Hex, Gr. 5
11	06-0824-0		Nut, Hex, 1/2-13
12	06-0843-0		Washer, Flat, 1/2"
13	06-0884-4		Clamp, Cable, 3/8"
14	06-2221-7		Screw, 3/8-16 x 1", Hex, Gr. 5
15	06-2418-9		Nut, 1/2-13, Lock
16	06-3419-6		Nut, 3/8-16, Flange, Toplock
17	06-3443-6		Gasket, Overhang Flange, 5-9/16"
18	06-4653-9		Cable, 22' and 44' Drop, 10'-9"
19	10-0678-2	1601517	Pipe, Overhang, 5-9/16" x 11', 90"
20	10-1622-9		Cable, Overhang, 44' w/Pins
21	26-0760-4		Screw, 1/2-13 x 1-1/2", Hex, Gr. 5
22	06-2420-5		Nut, 3/8"-16, Lock
23	10-0680-8	1601518	Pipe, Overhang, 5-9/16" x 11', 30"
24	11-3652-2		Pipe, Half, 5-9/16", 30" Outlets
25	1601396		Eyelet, Tieback, Cable, 11' OH Only



# Overhangs

## Overhang Assembly, 6-5/8", 11' and 22', Stainless Steel

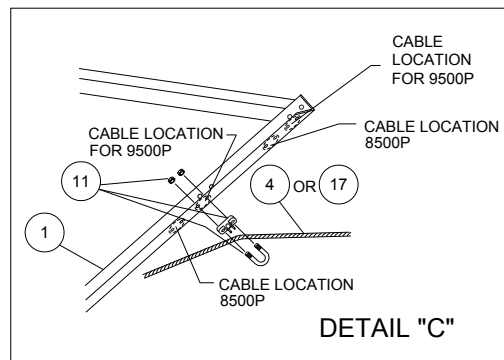
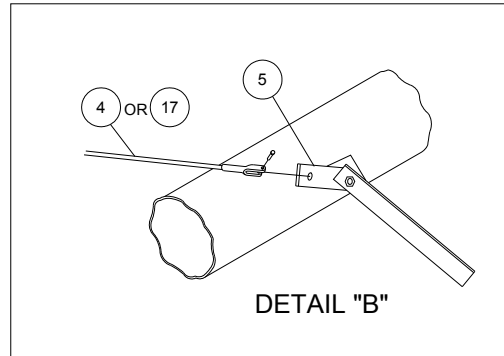
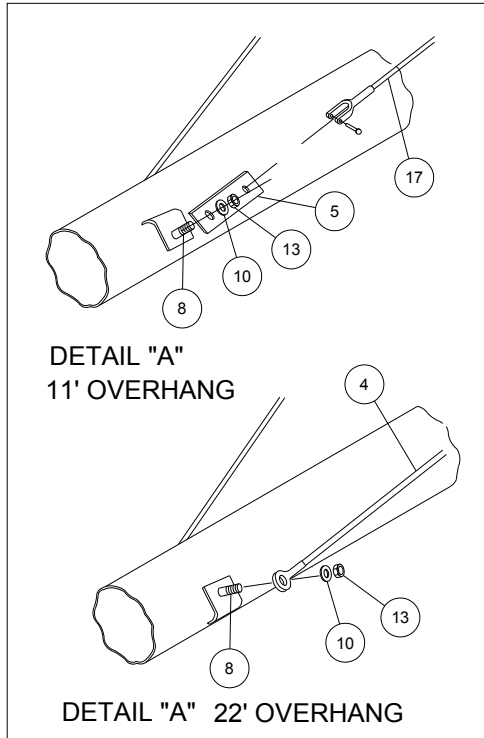
NOTE: USE CARE WHEN INSTALLING OVERHANG AND ATTACHING CABLES. RAISING THE OVERHANG PIPE TOO HIGH CAN CAUSE FLANGE DISTORTION RESULTING IN WATER LEAKAGE.





# Overhangs

## Overhang Assembly, 6-5/8", 11' and 22', Stainless Steel



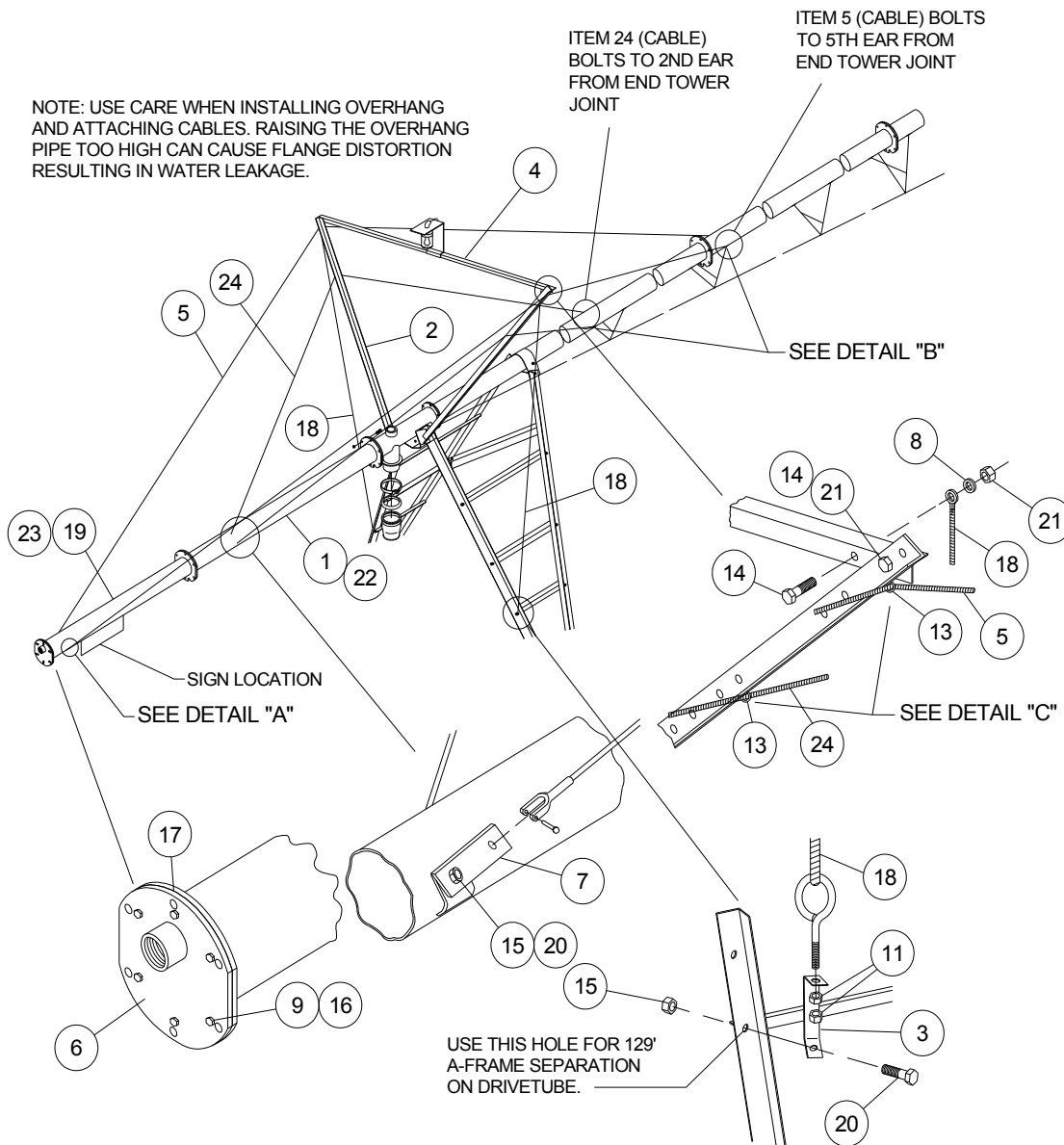
Ref.	Part No.	Description
1	3-0893-2	Leg, Overhang, w/Anchor Joint, 84"
2	3-4717-9	Bracket, Drop Cable, Tie Down
3	3-8202-8	Tie, Overhang, Half, 58"
4	3-8209-3	Cable, Overhang, w/Pin, 82' 5-1/2"
5	4-8208-3	Eyelet, Tie Back Cable
6	6-0250-8	Washer, Flat, 3/8"
7	6-0804-2	Screw, 1/2-13x1-1/4, HX, Gr. 5
8	6-0805-9	Screw, 1/2-13 x 2", Hex, Gr. 5
9	6-0824-0	Nut, Hex, 1/2-13
10	6-0843-0	Washer, Flat, 1/2"
11	6-0884-4	Clamp, Cable, 3/8"
12	6-2221-7	Screw, 3/8-16 x 1", Hex, Gr. 5
13	6-2418-9	Nut, 1/2-13, Lock
14	6-2420-5	Nut, 3/8-16, Lock
15	6-4486-4	Gasket, Flange, 6-5/8" Pipe
16	6-4653-9	Cable, 22' and 44' Overhang Drop
17	10-1622-9	Cable, Overhang, 44' w/Pins
18	11-6177-7	Cap, OH, 6-5/8", w/Coupling, S.S.
19	11-6031-6	Gasket, Flange, 6-5/8", No-Lip
20	12-1043-0	Pipe, Half, 6-5/8", 30", Stainless Steel
21	14-0438-0	Pipe, Ext, 6-5/8"x11'-0", Stainless Steel
22	26-0760-4	Screw, 1/2-13 x 1-1/2", Hex, Gr. 5



# Overhangs

## Overhang Assembly, 5-9/16", 33'

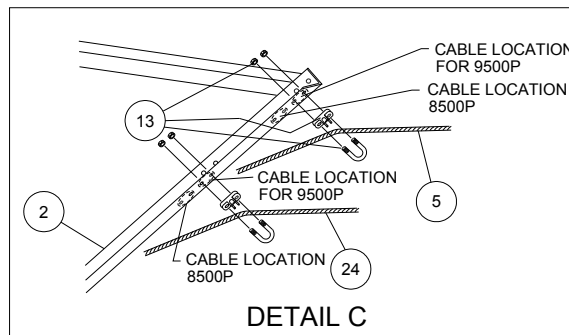
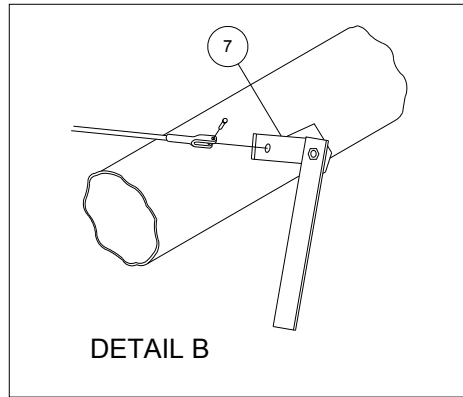
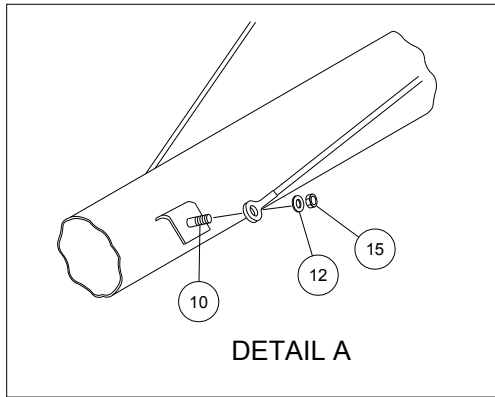
NOTE: USE CARE WHEN INSTALLING OVERHANG AND ATTACHING CABLES. RAISING THE OVERHANG PIPE TOO HIGH CAN CAUSE FLANGE DISTORTION RESULTING IN WATER LEAKAGE.





# Overhangs

## Overhang Assembly, 5-9/16", 33' (Beginning Serial No. 24912) (cont'd.)

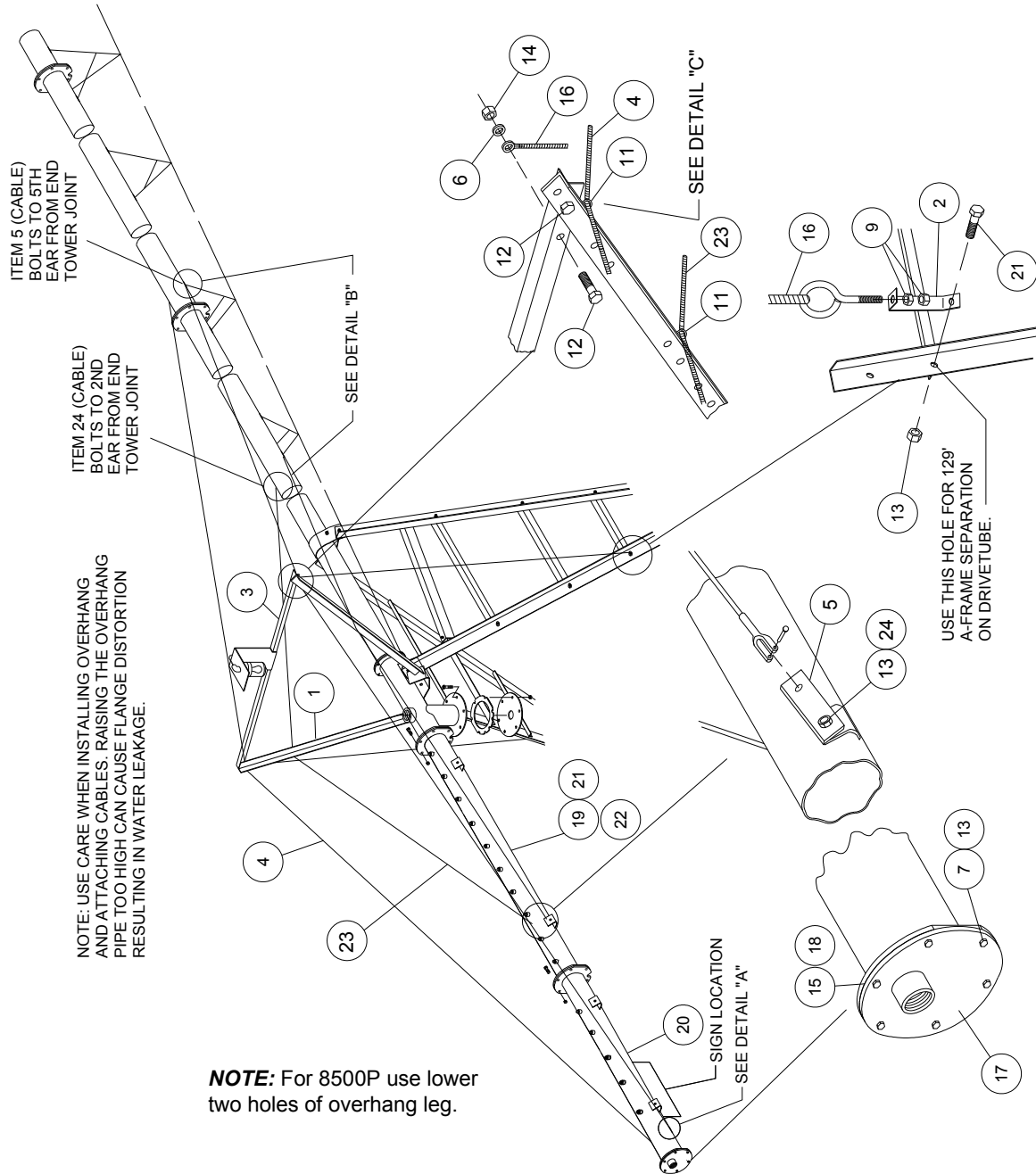


Ref.	Original Part No.	Substitute Part No.	Description
1	11-3650-6		Pipe, Half, 5-9/16", 90" Outlets
2	03-0893-2		Leg, Overhang, w/Anchor Joint
3	03-4717-9		Bracket, Drop Cable, Tie Down
4	03-8202-8		Tie, Overhang, Half
5	03-8209-3		Cable, Overhang, w/Pin, 82'-5-1/2"
6	04-0085-3		Cap, Overhang Pipe, 2-1/2" Coupling
7	04-8208-3		Eyelet, Tie Back Cable
8	06-0250-8		Washer, Flat, 3/8"
9	06-0803-4		Screw, 3/8-16 x 1-1/2", Hex, Gr. 5
10	06-0805-9		Screw, 1/2-13 x 2", Hex, Gr. 5
11	06-0824-0		Nut, Hex, 1/2-13
12	06-0843-0		Washer, 1/2", Flat
13	06-0884-4		Clamp, Cable, 3/8"
14	06-2221-7		Screw, 3/8-16 x 1", Hex, Gr. 5
15	06-2418-9		Nut, 1/2-13, Lock
16	06-3419-6		Nut, 3/8-16, Flange, Toplock
17	06-3443-6		Gasket, O.H., Flange, 5-9/16"
18	06-4653-9		Cable, 22' and 44' Drop, 10'-9"
19	10-0678-2	1601517	Pipe, Overhang, 5-9/16" x 11', 90"
20	26-0760-4		Screw, 1/2-13 x 1-1/2", Hex, Gr. 5
21	06-2420-5		Nut, 3/8"-16, Lock
22	11-3652-2		Pipe, Half, 5-9/16", 30" Outlets
23	10-0680-8	1601518	Pipe, Overhang, 5-9/16" x 11', 30"
24	10-1622-9		Cable, Overhang, 44' w/Pins, 38'-5"



# Overhangs

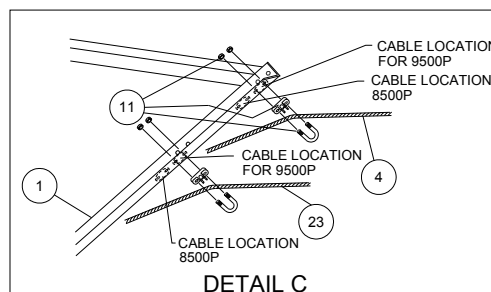
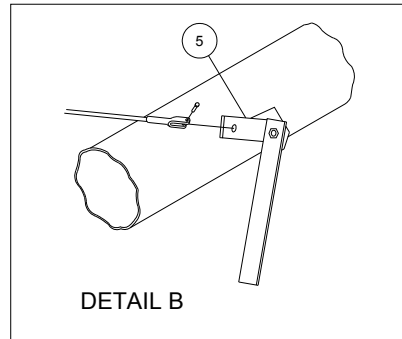
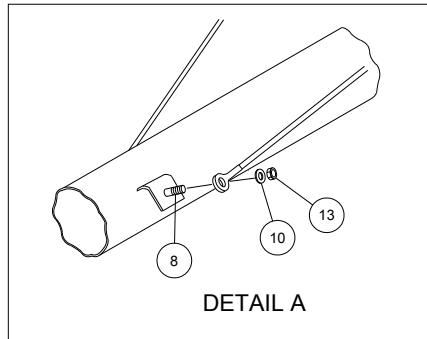
## Overhang Assembly, 6-5/8", 33', Stainless Steel, Poly-Lined and Aluminum





# Overhangs

## Overhang Assembly, 6-5/8", 33', Stainless Steel, Poly-Lined and Aluminum



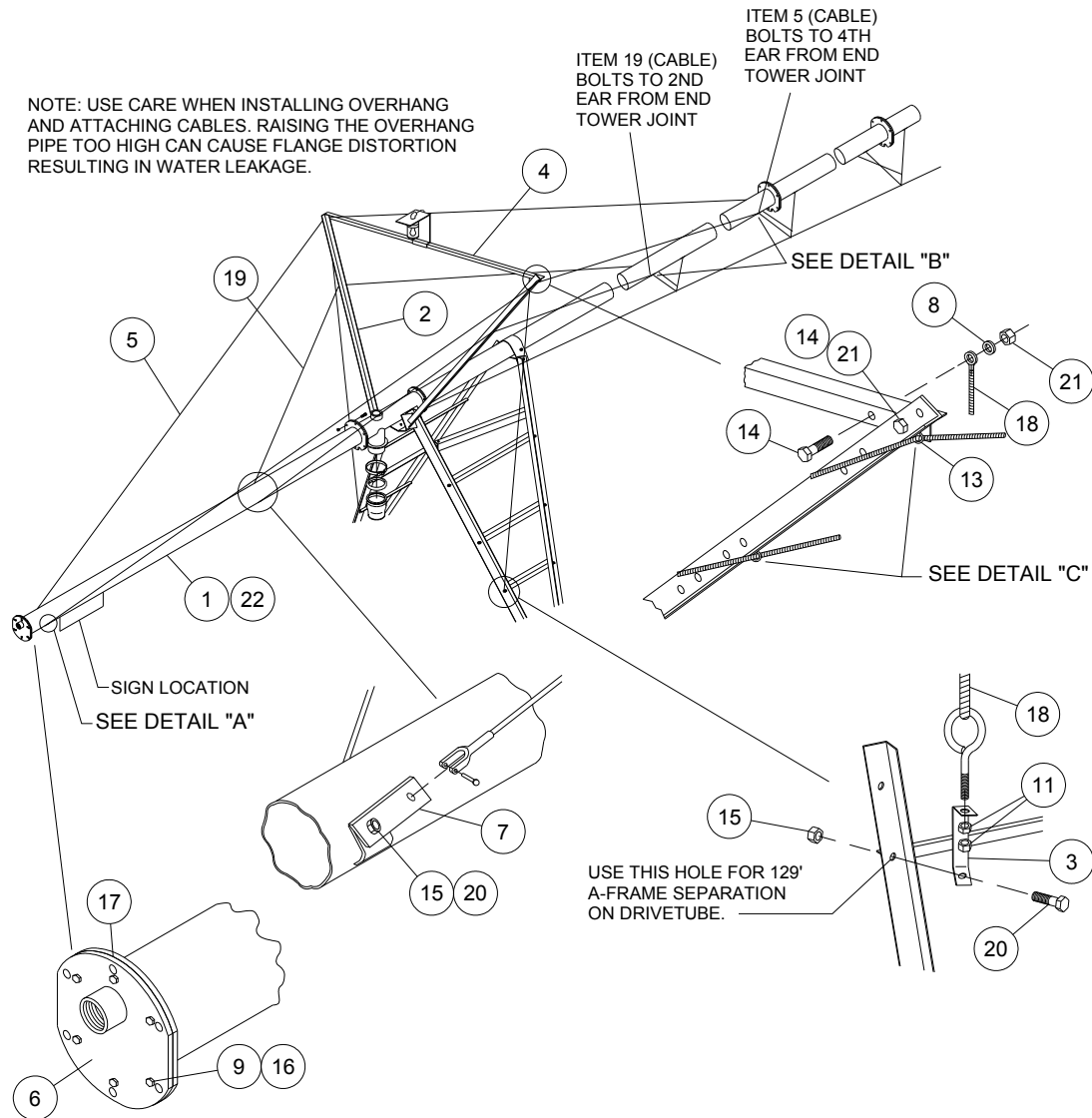
Ref.	Part No.	Description
1	3-0893-2	Leg, Overhang, w/Anchor Joint, 84"
2	3-4717-9	Bracket, Drop Cable, Tie Down
3	3-8202-8	Tie, Overhang, Half, 58"
4	3-8209-3	Cable, Overhang, w/Pin, 82' 5-1/2"
5	4-8208-3	Eyelet, Tie Back Cable
6	6-0250-8	Washer, Flat, 3/8"
7	6-0804-2	Screw, 1/2-13x1-1/4, HX, Gr. 5
8	6-0805-9	Screw, 1/2-13 x 2", Hex, Gr. 5
9	6-0824-0	Nut, Hex, 1/2-13
10	6-0843-0	Washer, Flat, 1/2"
11	6-0884-4	Clamp, Cable, 3/8"
12	6-2221-7	Screw, 3/8-16 x 1", Hex, Gr. 5
13	6-2418-9	Nut, 1/2-13, Lock
14	6-2420-5	Nut, 3/8-16, Lock
15	6-4486-4	Gasket, Flange, 6-5/8" Pipe
16	6-4653-9	Cable, 22' and 44' Overhang Drop
17	11-6177-7	Cap, OH, 6-5/8", w/Coupling, S.S.
18	11-6031-6	Gasket, Flange, 6-5/8", No-Lip
19	12-1043-0	Pipe, Half, 6-5/8", 30", Stainless Steel
20	14-0438-0	Pipe, Ext, 6-5/8"x11'-0", Stainless Steel
21	12-3752-0	Pipe, Half, 6-5/8", 30" Aluminum
22	13-5484-0	Pipe, Half, 6-5/8", 30" PolyLined
23	10-1622-9	Cable, Overhang, 44' w/Pins, 38'-5"
24	26-0760-4	Screw, 1/2-13 x 1-1/2", Hex, Gr. 5



# Overhangs

## Overhang Assembly, 5-9/16", 44'

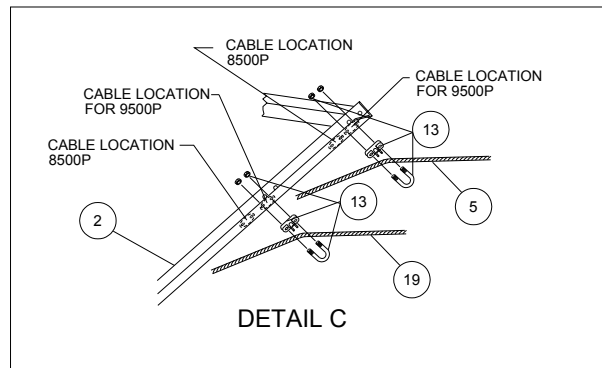
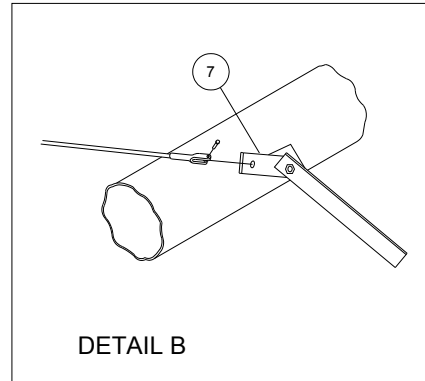
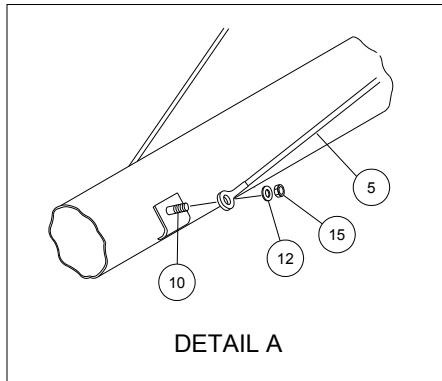
NOTE: USE CARE WHEN INSTALLING OVERHANG AND ATTACHING CABLES. RAISING THE OVERHANG PIPE TOO HIGH CAN CAUSE FLANGE DISTORTION RESULTING IN WATER LEAKAGE.





# Overhangs

## Overhang Assembly, 5-9/16", 44' (Beginning Serial No. 24912) (cont'd.)



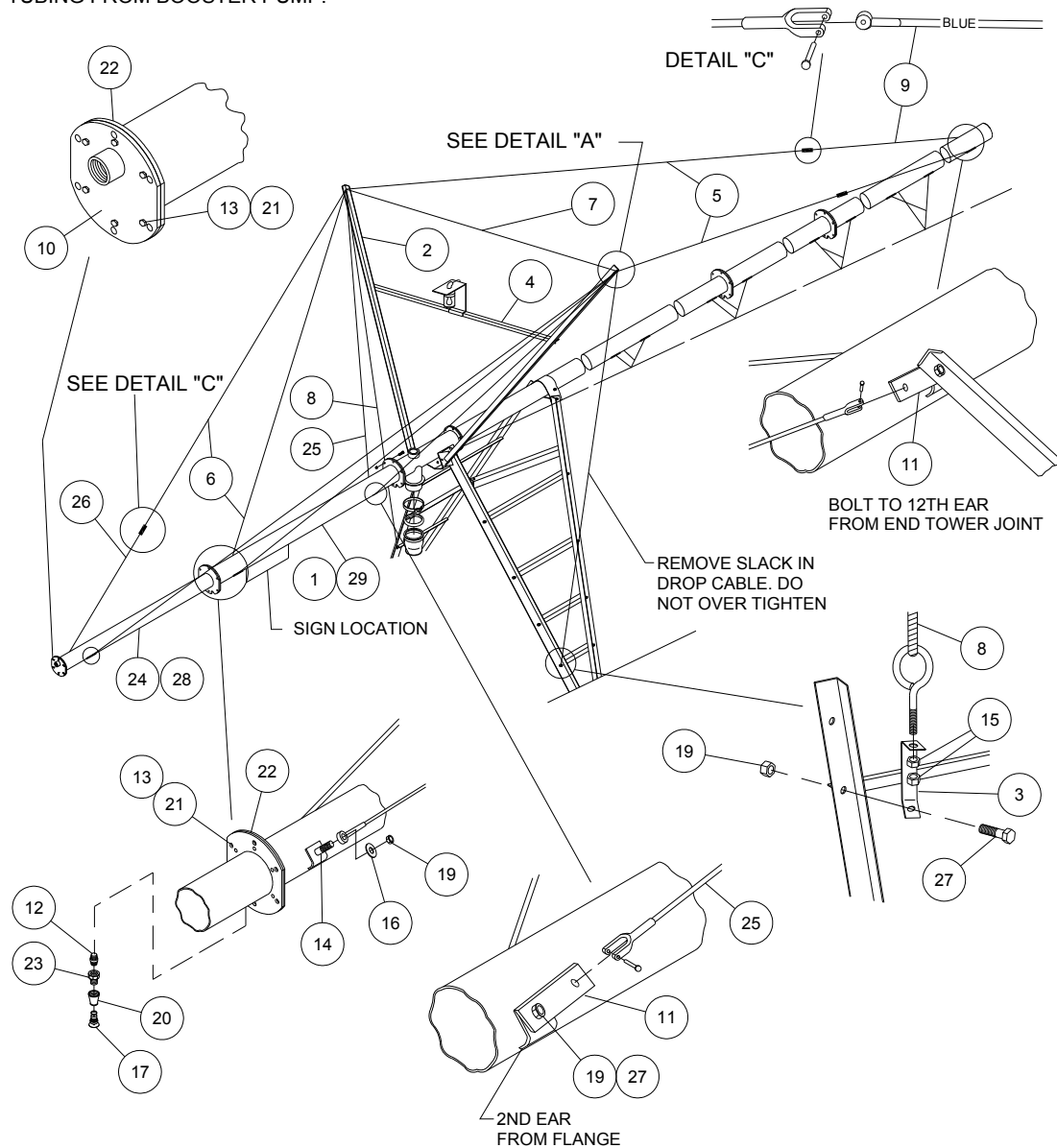
Ref.	Original Part No.	Substitute Part No.	Description
1	11-3651-4		Pipe, Span, 5-9/16", 90" Outlets
2	03-0893-2		Leg, Overhang, w/Anchor Joint
3	03-4717-9		Bracket, Drop Cable Tie-Down
4	03-8202-8		Tie, Overhang, Half
5	03-8209-3		Cable, Overhang, w/Pin, 82' - 5-1/2"
6	04-0085-3		Cap, Overhang Pipe w/2-1/2" Coupling
7	04-8208-3		Eyelet, Tie-Back Cable
8	06-0250-8		Washer, Flat, 3/8"
9	06-0803-4		Screw, 3/8-16 x 1-1/2", Hex, Gr. 5
10	06-0805-9		Screw, 1/2-13 x 2", Hex, Gr. 5
11	06-0824-0		Nut, Hex, 1/2-13
12	06-0843-0		Washer, Flat, 1/2"
13	06-0884-4		Clamp, Cable, 3/8"
14	06-2221-7		Screw, 3/8-16 x 1", Hex, Gr. 5
15	06-2418-9		Nut, 1/2-13, Lock
16	06-3419-6		Nut, 3/8-16, Flange, Toplock
17	06-3443-6		Gasket, Overhang Flange, 5-9/16"
18	06-4653-9		Cable, 22' and 44' Drop, 10'-9"
19	10-1622-9		Cable, Overhang, 44' w/Pins, 38'-5"
20	26-0760-4		Screw, 1/2-13 x 1-1/2", Hex, Gr. 5
21	06-2420-5		Nut, 3/8"-16, Lock
22	11-3653-0		Pipe, Span, 5-9/16", 30" Outlets



# Overhangs

## Overhang Assembly, 5-9/16", 55'

**NOTE:** REFER TO SPRINKLER COMPONENTS FOR P/N 4-0137-2 (CAP, OVERHANG PIPE, 4") USED WITH 2 1/2" TUBING FROM BOOSTER PUMP.

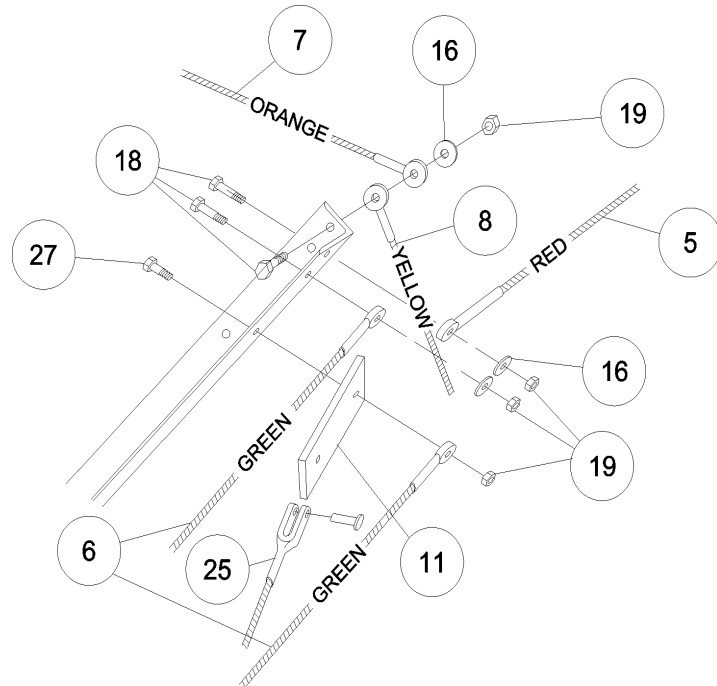




# Overhangs

## Overhang Assembly, 5-9/16" - 55'

PART NO.	LENGTH	COLOR CODE
3-8209-3	82' - 5-1/2"	RED ENDS
3-8210-1	43' - 0"	GREEN ENDS
3-8213-5	19' - 4"	ORANGE ENDS
3-8214-3	17' - 10"	YELLOW ENDS
3-8215-0	47' - 2"	BLUE ENDS
10-1623-7	22' - 6"	CLEVIS ENDS
11-0931-3	12'-11"	RED ENDS



DETAIL "A"

Ref.	Original Part No.	Substitute Part No.	Description
1	11-3651-4		Pipe, Span, 5-9/16", 90" Outlets
2	03-0892-4		Angle, Mast, 66'/88', OH, w/Anchor Jt
3	03-4717-9		Bracket, Drop Cable, Tie-Down
4	03-8202-8		Tie, Overhang, Half
5	03-8209-3		Cable, Overhang, w/Pin, 82' 5-1/2"
6	03-8210-1		Cable, Overhang, 1st Outboard, 43'
7	03-8213-5		Cable, 66'/88', OH, Crosstie, 19-4"
8	03-8214-3		Cable, 66'/88', OH, Drop, 17'-10"
9	03-8215-0		Cable, 66'/88', w/Pin, 47'-2"
10	04-0085-3		Cap, Overhang Pipe, 2-1/2" Coup.
11	04-8208-3		Eyelet, Tie-Back Cable
12	06-0638-4		Nipple, Pipe, 3/4" x Close, Black
13	06-0803-4		Screw, 3/8-16 x 1-1/2", Hex, Gr. 5
14	06-0805-9		Screw, 1/2-13 x 2", Hex, Gr. 5
15	06-0824-0		Nut, 1/2-13, Hex

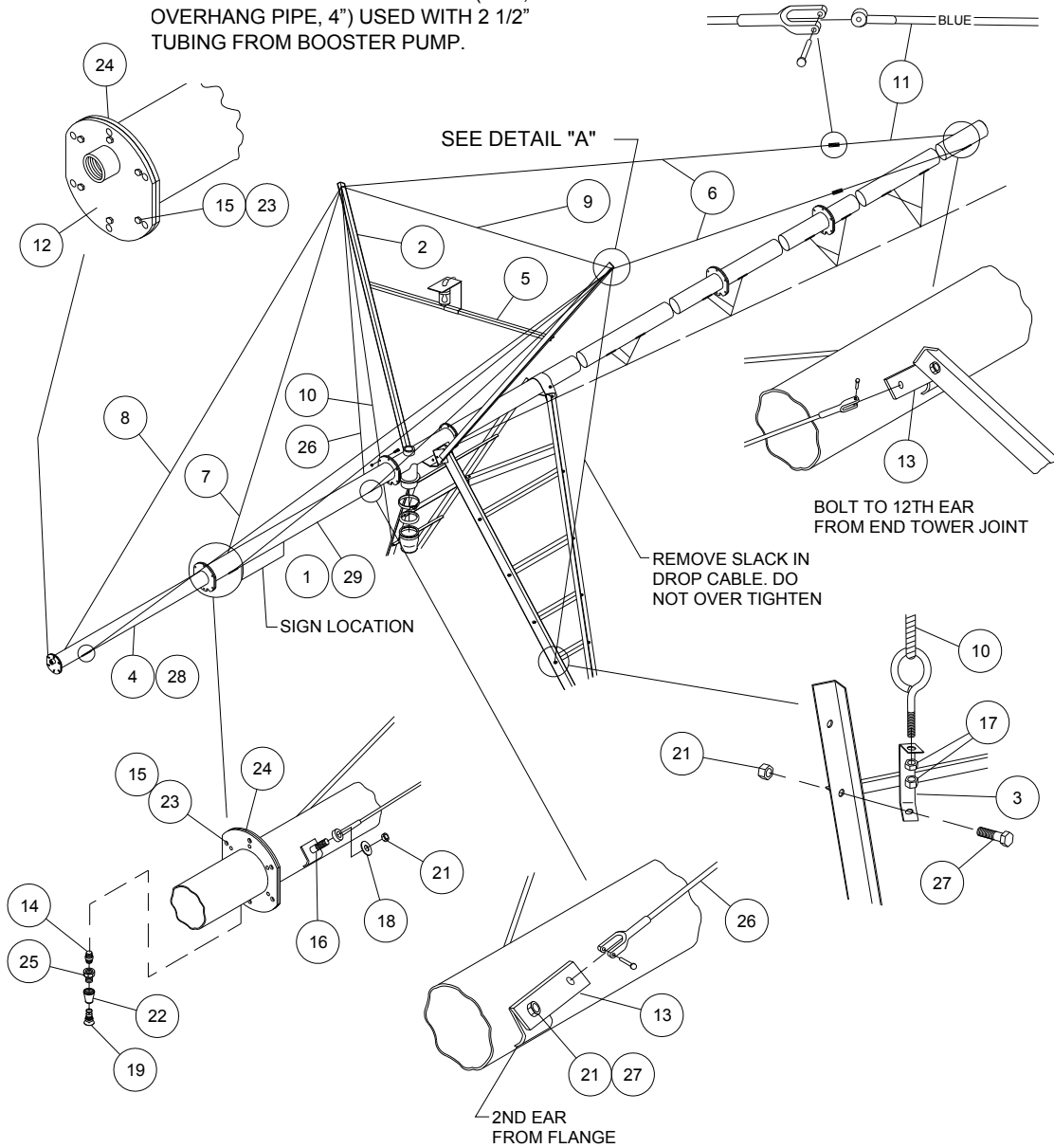
Ref.	Original Part No.	Substitute Part No.	Description
16	06-0843-0		Washer, Flat, 1/2"
17	06-2070-8		Valve, Drain, 1"
18	06-2304-1		Screw, 1/2-13 x 2-1/2", Hex, Gr. 5
19	06-2418-9		Nut, 1/2-13, Lock
20	06-2514-5		Reducer, Bell, 2" x 1"
21	06-3419-6		Nut, 3/8-16, Flange, Toplock
22	06-3443-6		Gasket, Overhang Flange, 5-9/16"
23	06-4654-7		Bushing, Hex, 2" x 3/4"
24	10-0678-2	1601517	Pipe, Overhang, 5-9/16" x 11', 90"
25	10-1623-7		Cable, OH, 66'/88', w/Pin, 22'-6"
26	11-0931-3		Cable, 55' Overhang, Ext. 12' 11"
27	26-0760-4		Screw, 1/2-13 x 1-1/2", Hex, Gr. 5
28	10-0680-8	1601518	Pipe, Overhang, 5-9/16" x 11', 30"
29	11-3653-0		Pipe, Span, 5-9/16", 30" Outlets



# Overhangs

## Overhang Assembly, 5-9/16"- 66'

**NOTE:** REFER TO SPRINKLER COMPONENTS FOR P/N 4-0137-2 (CAP, OVERHANG PIPE, 4") USED WITH 2 1/2" TUBING FROM BOOSTER PUMP.

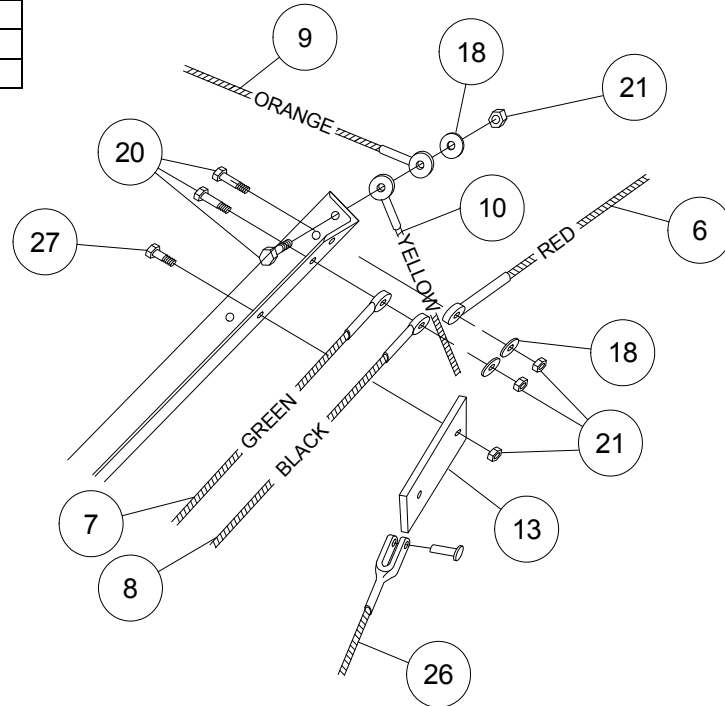




# Overhangs

## Overhang Assembly, 5-9/16'' - 66' (Beginning Serial No. 24912) (cont'd.)

PART NO.	LENGTH	COLOR CODE
3-8209-3	82' - 5-1/2"	RED ENDS
3-8210-1	43' - 0"	GREEN ENDS
3-8211-9	64' - 3/4"	BLACK ENDS
3-8213-5	19' - 4"	ORANGE ENDS
3-8214-3	17' - 10"	YELLOW ENDS
3-8215-0	47' - 2"	BLUE ENDS
10-1623-7	22' - 6"	CLEVIS ENDS



DETAIL "A"

Ref.	Original Part No.	Substitute Part No.	Description
1	11-3651-4		Pipe, Span, 5-9/16", 90" Outlet
2	03-0892-4		Angle, Mast, 66'/88', OH, w/Anch. Jt
3	03-4717-9		Bracket, Drop Cable Tie-Down
4	03-8198-8		Pipe, Overhang, 4" x 22', 90"
5	03-8202-8		Tie, Overhang, Half
6	03-8209-3		Cable, Overhang, w/Pin, 82'-5-1/2"
7	03-8210-1		Cable, Overhang, 1st Outboard, 43'
8	03-8211-9		Cable, OH, 2nd Outboard, 64'-3/4"
9	03-8213-5		Cable, 66'/88', OH, Crosstie, 19'-4"
10	03-8214-3		Cable, 66'/88', OH, Drop, 17'-10"
11	03-8215-0		Cable, 66'/88', w/Pin, 47'-2"
12	04-0085-3		Cap, Overhang Pipe, 2-1/2" Coup.
13	04-8208-3		Eyelet, Tie-Back Cable
14	06-0638-4		Nipple, Pipe, 3/4" x Close, Black
15	06-0803-4		Screw, 3/8-16 x 1-1/2", Hex, Gr. 5

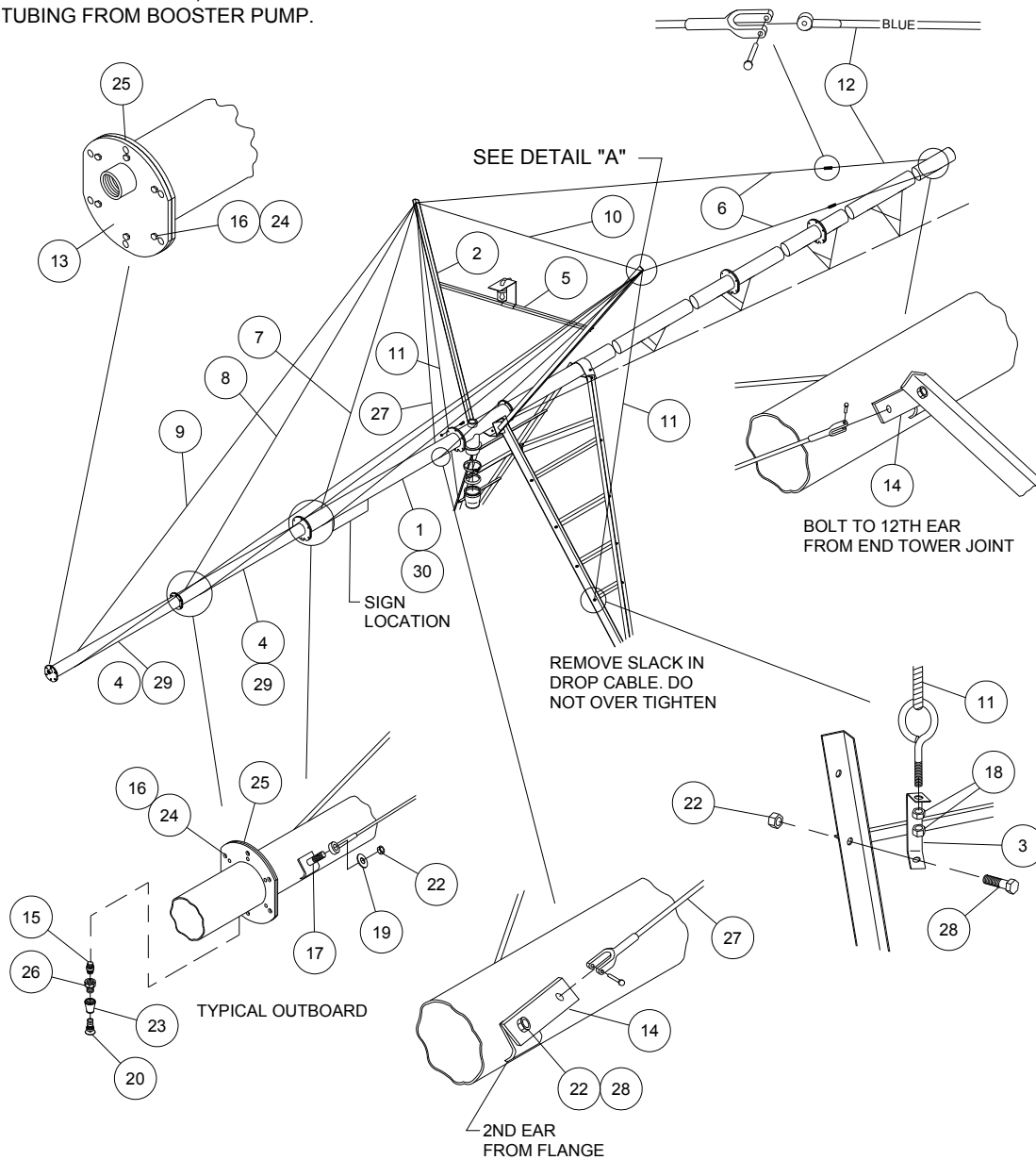
Ref.	Original Part No.	Substitute Part No.	Description
16	06-0805-9		Screw, 1/2-13 x 2", Hex, Gr. 5
17	06-0824-0		Nut, Hex, 1/2-13
18	06-0843-0		Washer, Flat, 1/2"
19	06-2070-8		Valve, Drain, 1"
20	06-2304-1		Screw, 1/2-13 x 2-1/2", Hex, Gr. 5
21	06-2418-9		Nut, 1/2-13, Lock
22	06-2514-5		Reducer, Bell, 2" x 1"
23	06-3419-6		Nut, 3/8-16, Toplock
24	06-3443-6		Gasket, Overhang Flange, 5-9/16"
25	06-4654-7		Bushing, Hex, 2" x 3/4"
26	10-1623-7		Cable, OH, 66'/88', w/Pins, 22'-6"
27	26-0760-4		Screw, 1/2-13 x 1-1/2", Hex, Gr. 5
28	03-8241-6		Pipe, Overhang, 4" x 22', 30"
29	11-3653-0		Pipe, Span, 5-9/16", 30" Outlets



# Overhangs

## Overhang Assembly, 5-9/16" - 88'

**NOTE:** REFER TO SPRINKLER COMPONENTS FOR P/N 4-0137-2 (CAP, OVERHANG PIPE, 4") USED WITH 2 1/2" TUBING FROM BOOSTER PUMP.

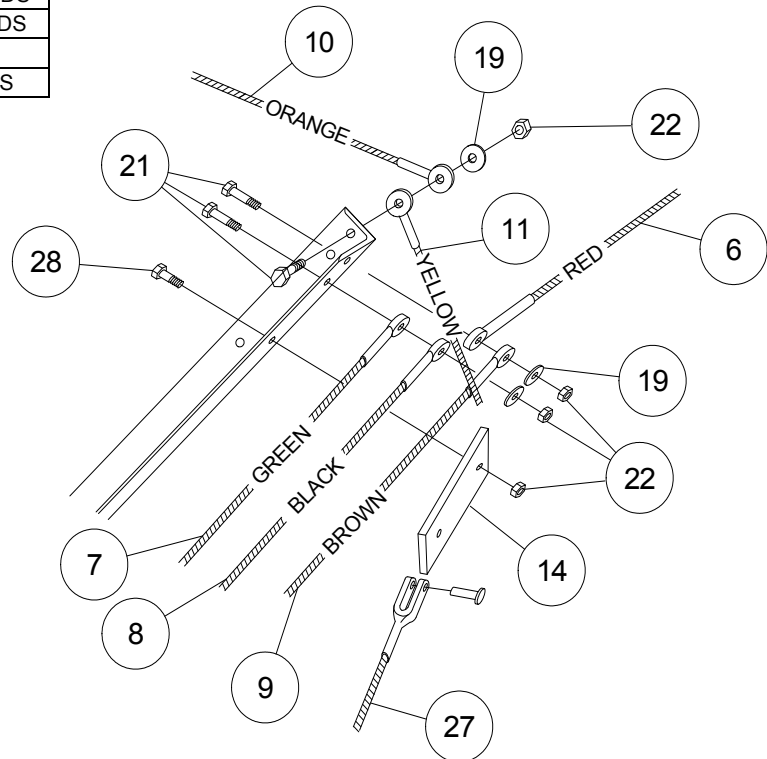




# Overhangs

## Overhang Assembly, 5-9/16'' - 88' (Beginning Serial No. 24912) (cont'd.)

PART NO.	LENGTH	COLOR CODE
3-8209-3	82' - 5-1/2"	RED ENDS
3-8210-1	43' - 0"	GREEN ENDS
3-8211-9	64' - 3/4"	BLACK ENDS
3-8212-7	85' - 5-3/4"	BROWN ENDS
3-8213-5	19' - 4"	ORANGE ENDS
3-8214-3	17' - 10"	YELLOW ENDS
3-8215-0	47' - 2"	BLUE ENDS
10-1623-7	22' - 6"	CLEVIS ENDS



DETAIL "A"

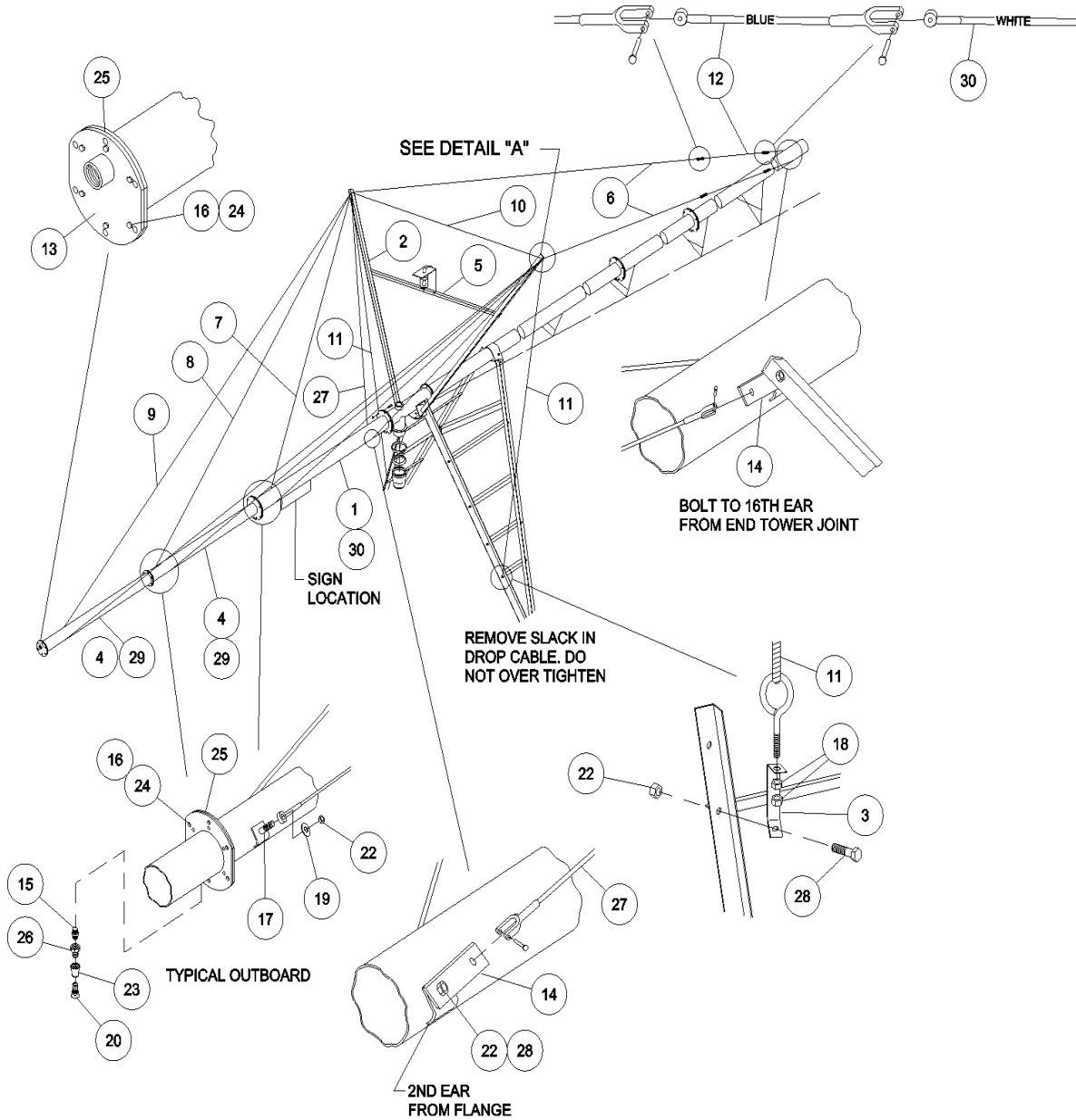
Ref.	Original Part No.	Substitute Part No.	Description
1	11-3651-4		Pipe, Span, 5-9/16", 90"
2	03-0892-4		Angle, Mast, 66'/88' OH, w/Anch. Jt
3	03-4717-9		Bracket, Drop Cable Tie-Down
4	03-8198-8		Pipe, Overhang, 4" x 22"
5	03-8202-8		Tie, Overhang, Half
6	03-8209-3		Cable, Overhang, w/Pin, 82'-5-1/2"
7	03-8210-1		Cable, Overhang, 1st Outboard, 43'
8	03-8211-9		Cable, OH, 2nd Outboard, 64'-3/4"
9	03-8212-7		Cable, 3rd Outboard, 85'-3/4"
10	03-8213-5		Cable, 66'/88', OH, Crosstie, 19'-4"
11	03-8214-3		Cable, 66'/88', OH, Drop, 17'-10"
12	03-8215-0		Cable, OH, 66'/88', w/Pin, 47'-2"
13	04-0085-3		Cap, OH Pipe, 2-1/2" Coupling
14	04-8208-3		Eyelet, Tie-Back Cable
15	06-0638-4		Nipple, Pipe, 3/4" x Close, Black

Ref.	Original Part No.	Substitute Part No.	Description
16	06-0803-4		Screw, 3/8-16 x 1-1/2", Hex, Gr. 5
17	06-0805-9		Screw, 1/2-13 x 2", Hex, Gr. 5
18	06-0824-0		Nut, Hex, 1/2-13
19	06-0843-0		Washer, Flat, 1/2"
20	06-2070-8		Valve, Drain, 1"
21	06-2304-1		Screw, 1/2-13 x 2-1/2", Hex, Gr. 5
22	06-2418-9		Nut, 1/2-13, Lock
23	06-2514-5		Reducer, Bell, 2" x 1"
24	06-3419-6		Nut, 3/8-16, Toplock
25	06-3443-6		Gasket, Overhang Flange, 5-9/16"
26	06-4654-7		Bushing, Hex, 2" x 3/4"
27	10-1623-7		Cable, OH, 66'/88', w/Pins, 22'-6"
28	26-0760-4		Screw, 1/2-13 x 1-1/2", Hex, Gr. 5
29	03-8241-6		Pipe, Overhang, 4" x 22", 30"
30	11-3653-0		Pipe, Span, 5-9/16", 30" Outlets



# Overhangs

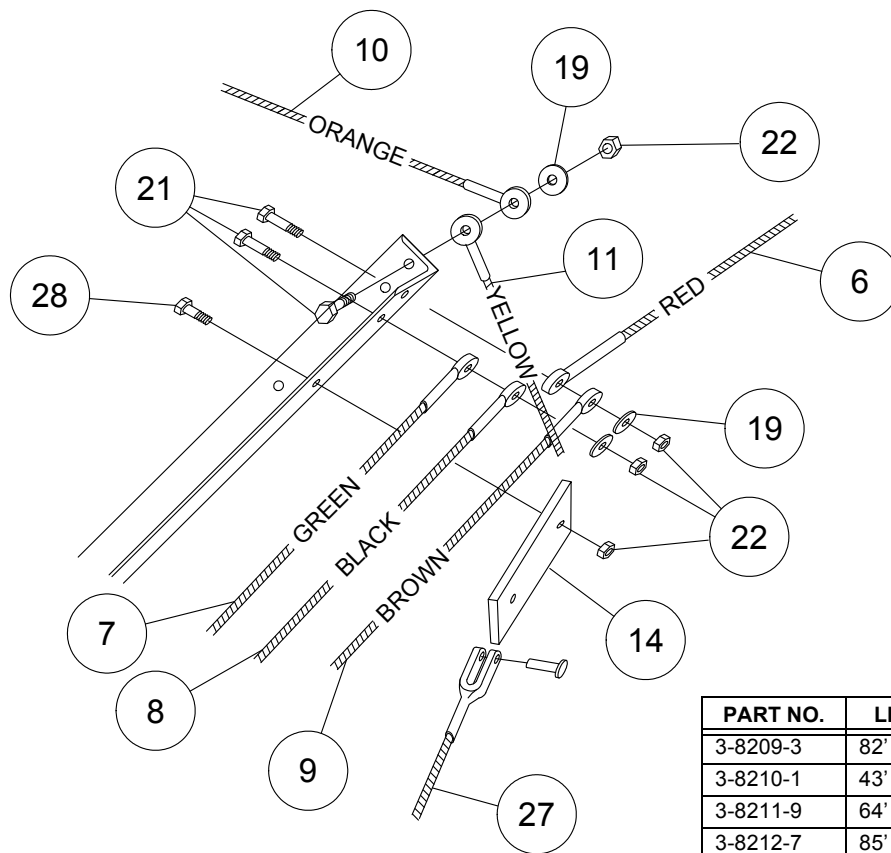
## Overhang Assembly, 5-9/16", 88' For 201' Span Only, w/0181640 Cable Kit (Opt.)





# Overhangs

**Overhang Assembly, 5-9/16", 88' For 201' Spans Only, W/0181640 Cable Kit (Opt.)**



**DETAIL "A"**

PART NO.	LENGTH	COLOR CODE
3-8209-3	82' - 5-1/2"	RED ENDS
3-8210-1	43' - 0"	GREEN ENDS
3-8211-9	64' - 3/4"	BLACK ENDS
3-8212-7	85' - 5-3/4"	BROWN ENDS
3-8213-5	19' - 4"	ORANGE ENDS
3-8214-3	17' - 10"	YELLOW ENDS
3-8215-0	47' - 2"	BLUE ENDS
1600734	44' - 10"	WHITE ENDS
10-1623-7	22' - 6"	CLEVIS ENDS

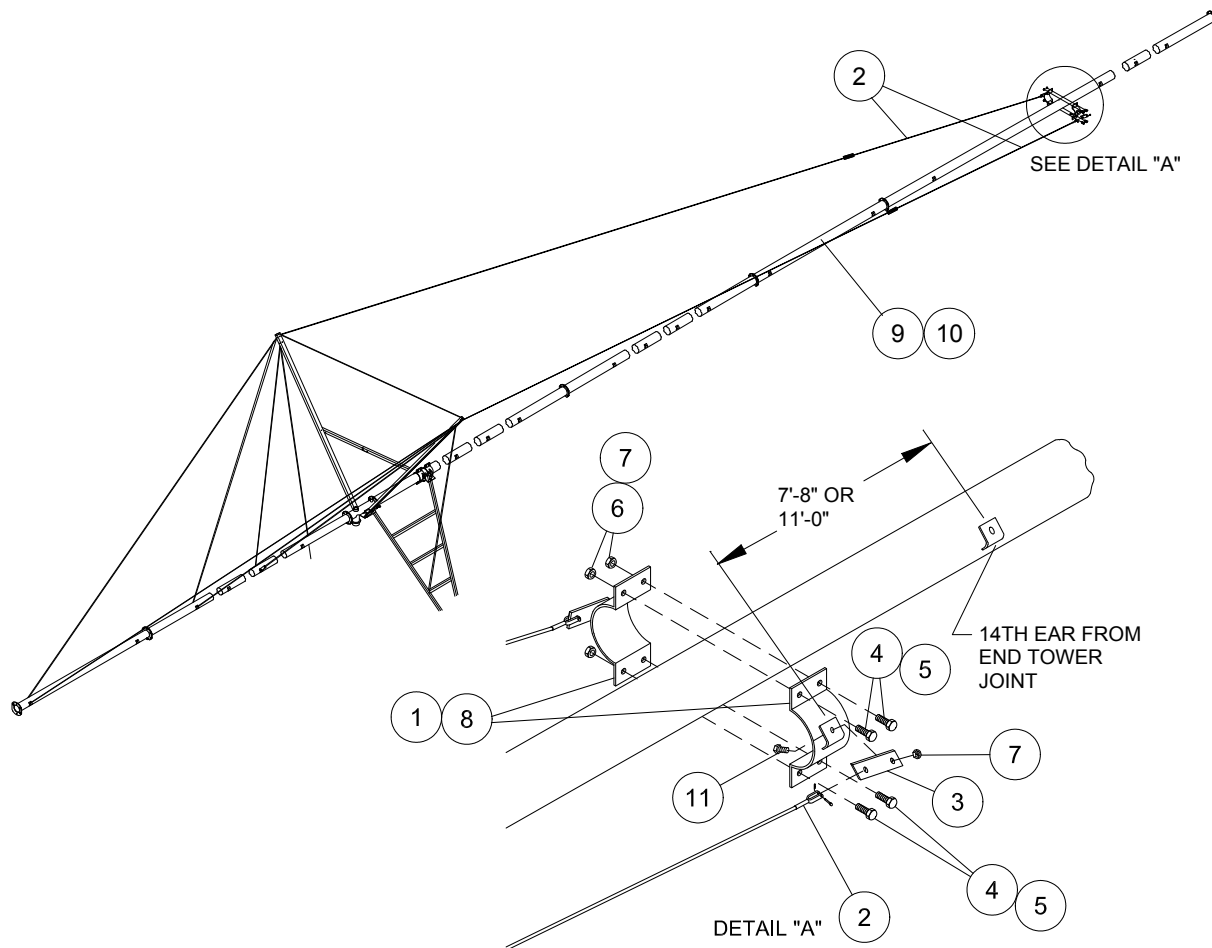
Ref.	Part No.	Description
1	11-3651-4	Pipe, Span, 5-9/16", Formed Outlet
2	3-0892-4	Angle, Mast, 66'/88' OH, w/Anchor Jt
3	3-4717-9	Bracket, Drop Cable Tie-Down
4	3-8198-8	Pipe, Overhang, 4" x 22'
5	3-8202-8	Tie, Overhang, Half
6	3-8209-3	Cable, Overhang, w/Pin, 82' - 5-1/2"
7	3-8210-1	Cable, Overhang, 1st Outboard, 43'
8	3-8211-9	Cable, Overhang, 2nd Outboard, 64'-3/4"
9	3-8212-7	Cable, 3rd Outboard
10	3-8213-5	Cable, 66'/88', Overhang, Cross-Tie
11	3-8214-3	Cable, 66'/88', Overhang, Drop
12	3-8215-0	Cable, Overhang, 66'/88', w/Pin
13	4-0085-3	Cap, Overhang Pipe, 2-1/2" Coupling
14	4-8208-3	Eyelet, Tie-Back Cable
15	6-0638-4	Nipple, Pipe, 3/4" x Close, Black

Ref.	Part No.	Description
16	6-0803-4	Screw, 3/8-16 x 1-1/2", Hex, Gr. 5
17	6-0805-9	Screw, 1/2-13 x 2", Hex, Gr. 5
18	6-0824-0	Nut, Hex, 1/2-13
19	6-0843-0	Washer, Flat, 1/2"
20	6-2070-8	Valve, Drain, 1"
21	6-2304-1	Screw, 1/2-13 x 2-1/2", Hex, Gr. 5
22	6-2418-9	Nut, 1/2-13, Lock
23	6-2514-5	Reducer, Bell, 2" x 1"
24	6-3419-6	Nut, 3/8-16, Toplock
25	6-3443-6	Gasket, Overhang Flange, 5-9/16"
26	6-4654-7	Bushing, Hex, 2" x 3/4"
27	10-1623-7	Cable, Overhang, 66'/88', w/Pins
28	26-0760-4	Screw, 1/2-13 x 1-1/2", Hex, Gr. 5
29	11-3653-0	Pipe, Span, 5-9/16", 30" Outlets
30	1600734	Cable, Kit, Overhang,



# Overhangs

## Overhang Assembly, 5-9/16" - 55', 66' or 88', w/7'8" or 11' Extension



FOR 5-9/16" O.H. PIPE USE 06-0805-9 1/2" SCREWS & 06-2418-9 1/2" LOCK NUTS.  
 FOR 6-5/8" O.H. PIPE USE 06-0807-5 5/8" SCREWS & 06-2416-3 5/8" LOCK NUTS.  
 POSITION TRUSS MOUNT BRACKET 7'-8" FROM 14TH EAR IF 7'-8" EXTENSION IS USED OR  
 POSITION TRUSS MOUNT BRACKET 11'-0" FROM 14TH EAR IF 11'-0" EXTENSION IS USED.

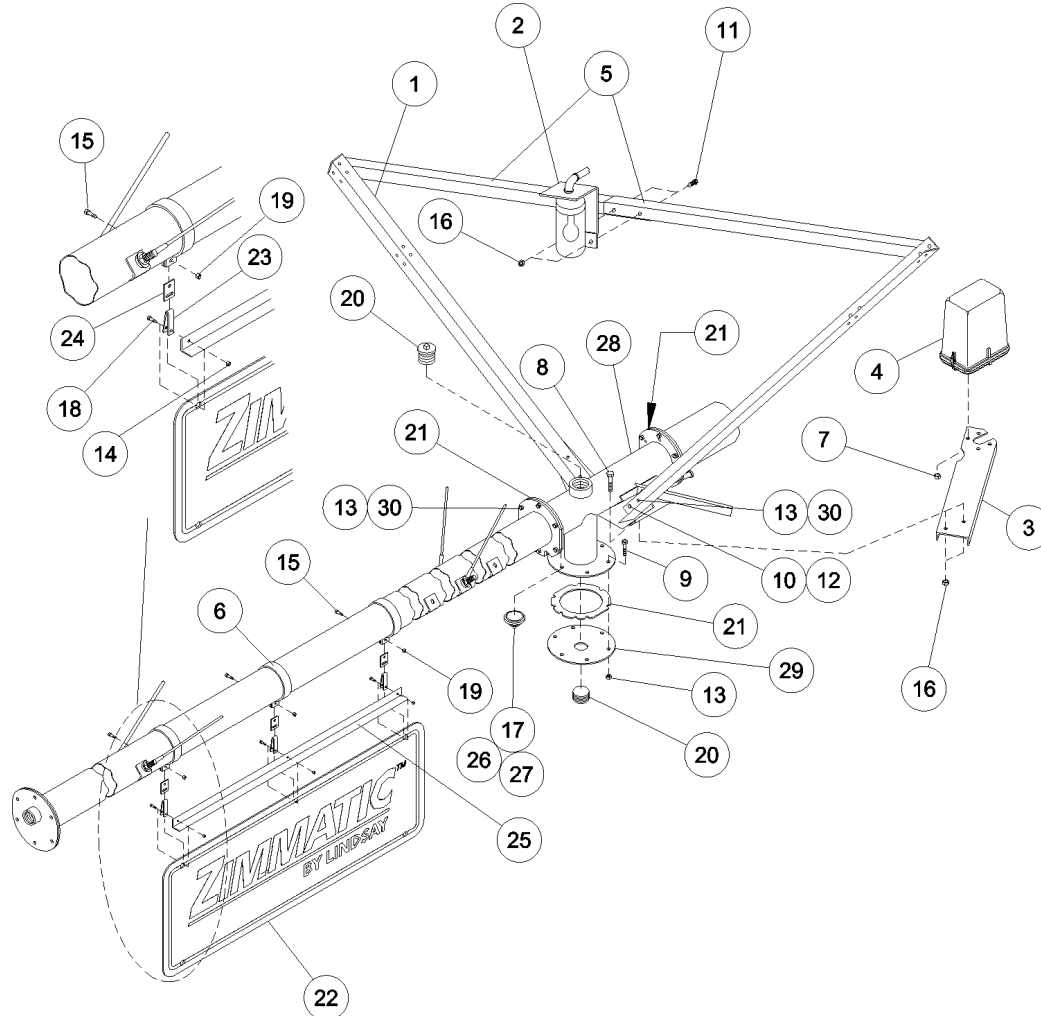
Ref.	Original Part No.	Substitute Part No.	Description
1	03-6083-4		Bracket, Truss Mount, 5-9/16"
2	03-8215-0		Cable, Overhang, 66'/88', w/Pin
3	04-8208-3		Eyelet, Tie-Back Cable
4	06-0805-9		Screw, 1/2-13 x 2", Hex, Gr. 5
5	06-0807-5		Screw, 5/8-11 x 2", Hex, Gr. 5
6	06-2416-3		Nut, 5/8-11, Lock
7	06-2418-9		Nut, 1/2-13, Lock
8	11-3008-7		Bracket, Truss Mount, 6-5/8"
9	11-3658-9		Pipe, 6-5/8" x 11' Extension
10	11-3659-7		Pipe, 6-5/8" x 7'8" Extension
11	26-0760-4		Screw, 1/2-13 x 1-1/2", Hex, Gr. 5



# Overhangs

## Sign and End Tower Joint Assembly, Stainless Steel

(NOTE: Also used on Aluminum and Poly-Lined)

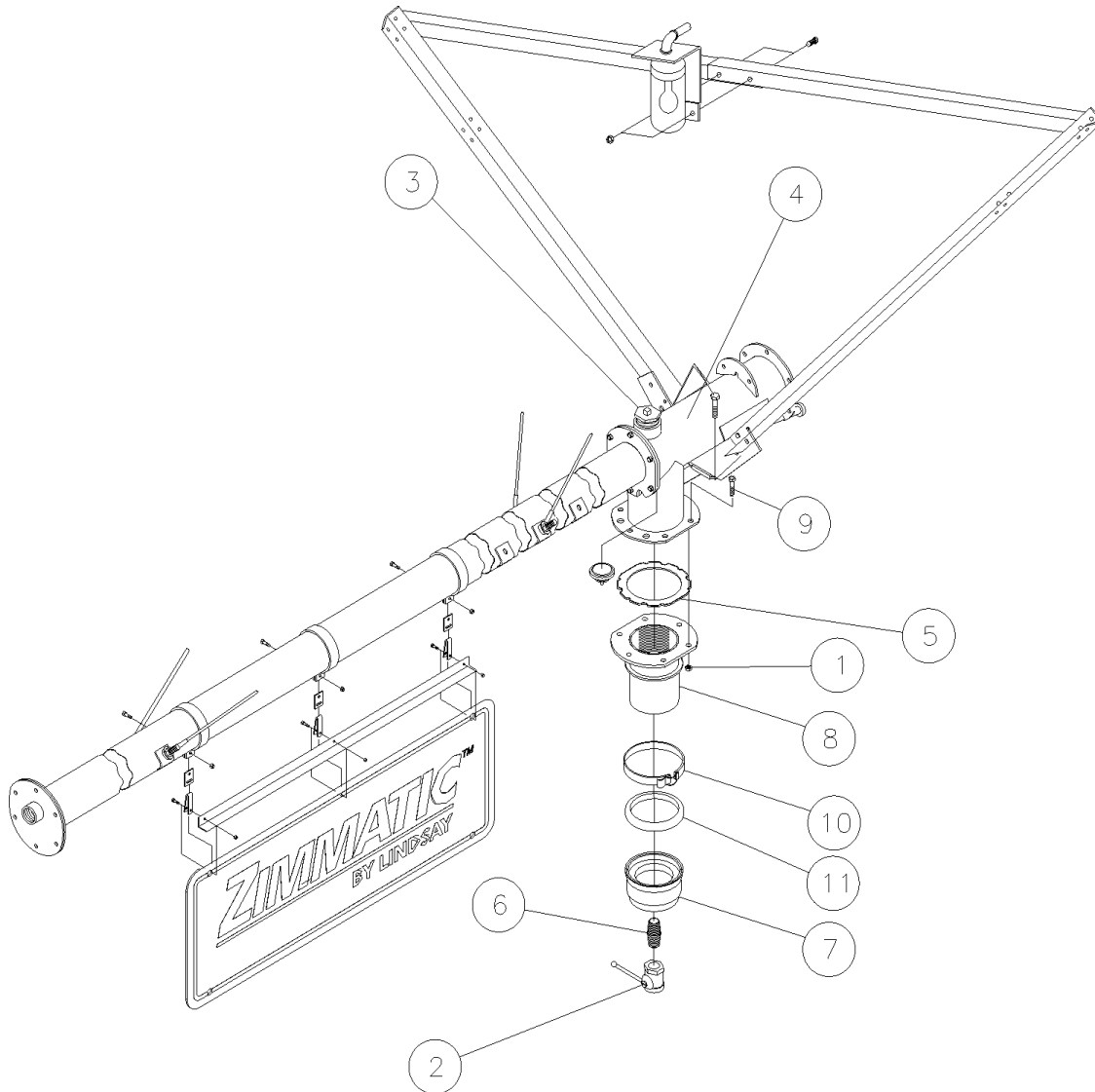


Ref.	Original Part No.	Substitute Part No.	Description
1	03-0893-2		Leg, Overhang, w/Anchor Joint
2	03-1330-4		Light Assembly, Last Tower
3	03-6760-7		Mount, Tower Panel
4	03-7988-3		Panel, Tower Control, Last, 10W
5	03-8202-8		Tie, Overhang, Half
6	03-8216-8		Strap, Sign Mount
7	6-0262-3		Nut, 5/16-18, Lock, Nylon Insert
8	6-0803-4		Screw, 3/8-16 x 1-1/2", Hex, Gr. 5
9	6-0804-2		Screw, 1/2-13 x 1-1/4", Hex, Gr. 5
10	06-0839-8		Screw, 5/8-11 x 1-1/2", Hex, Gr. 5
11	06-2221-7		Screw, 3/8-16 x 1", Hex, Gr. 5
12	06-2416-3		Nut, 5/8-11, Lock
13	06-2418-9		Nut, 1/2-13, Lock
14	06-2419-7		Nut, 1/4-20, Lock
15	06-3358-6		Screw, 5/16-18 x 1-1/4", Hex, Gr. 5

Ref.	Original Part No.	Substitute Part No.	Description
16	06-3419-6		Nut, 3/8-16, Flange, Toplock
17	06-3509-4		Plug, Drain, 0-75 PSI, Multi-Prs, Red
18	06-3936-9		Screw, 1/4-20 x 1", Hex, Gr. 5
19	06-4364-3		Nut, 5/16-18, Lock
20	06-4444-3		Plug, 2-1/2", Pipe, PVC, Sch. 40
21	06-4486-4		Gasket, 6-5/8", Pipe Flange
22	1600181		Sign, Zimmatic By Lindsay
23	10-7379-0		Clevis, Sign
24	10-7380-8		Hanger, Sign
25	10-9598-3		Bracket, Sign, Zimmatic
26	11-3324-8		Plug, Drain, 50-150 PSI, High Prs, Wh
27	11-3466-7		Plug, Drain, 5-30 PSI, Low Prs (Blk)
28	11-6100-9		Joint, Last Tower, 6-5/8", S.S.
29	11-6177-7		Cap, Overhang, 6-5/8", S.S.
30	26-0760-4		Screw, 1/2-13 x 1-1/2", Hex, Gr. 5

# Overhangs

## 6-5/8" Last Tower Joint w/6" Male Drop



Ref.	Original Part No.	Substitute Part No.	Description
1	06-2418-9		Nut, 1/2-13, Lock
2	06-3499-8		Valve, Manual, Ball, Bronze, 3/4"
3	06-4444-3		Plug, 2-1/2" Pipe, PVC, Schedule 40
4	11-2379-3		Joint, End Fed, 2 WHP
5	11-6031-6		Gasket, Flange, 6-5/8", No-Lip
6	11-6193-4		Nipple, Pipe, 3/4" x Close,
7	13-3160-0		Cap, 6" Female
8	13-3161-0		Coupler, 6" Male x 6-5/8" Flange
9	26-0760-4		Screw, 1/2-13 x 1-1/2", Hex, Gr. 5
10	66-0638-8		Clamp, Ringlock, 6", Steel Coup.
11	66-1060-4		Gasket, Round-Back, Pierce, 6"



# Overhangs

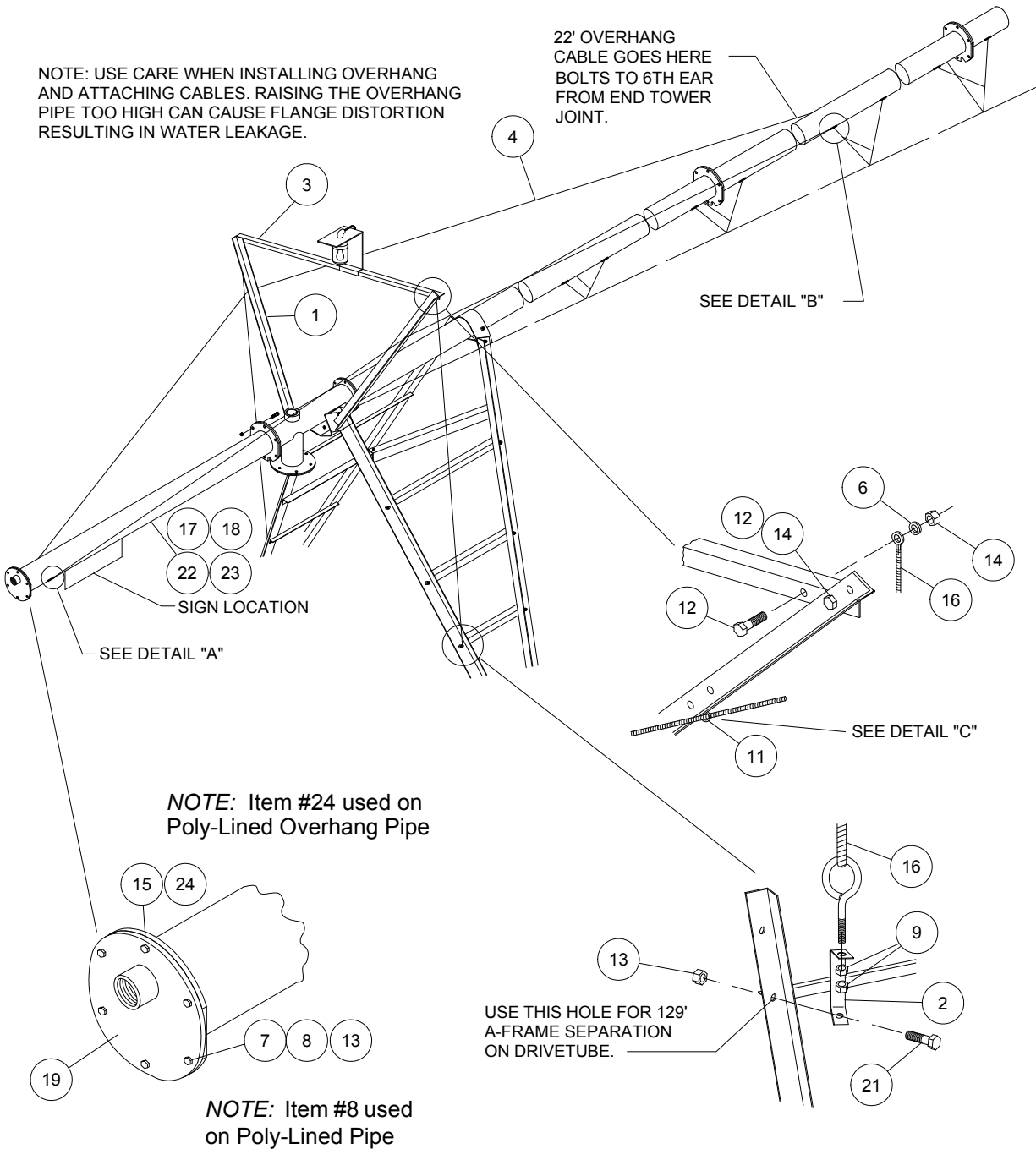
**Overhang Assembly, 6-5/8", 22', Stainless Steel**

**Overhang Assembly, 6-5/8", 22', Aluminum**

**Overhang Assembly, 6-5/8", 22', Poly-Lined**

NOTE: USE CARE WHEN INSTALLING OVERHANG AND ATTACHING CABLES. RAISING THE OVERHANG PIPE TOO HIGH CAN CAUSE FLANGE DISTORTION RESULTING IN WATER LEAKAGE.

22' OVERHANG CABLE GOES HERE BOLTS TO 6TH EAR FROM END TOWER JOINT.



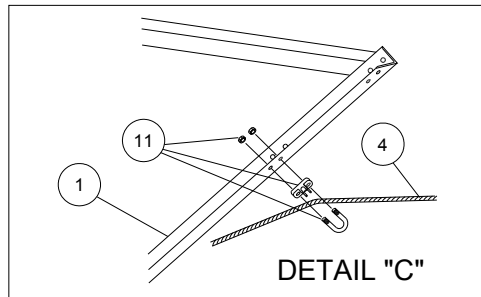
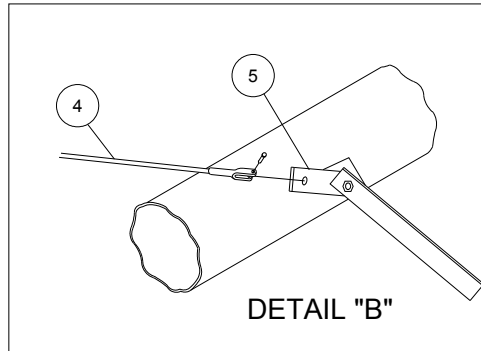
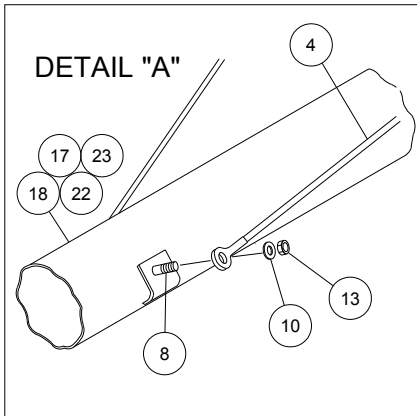


# Overhangs

**Overhang Assembly, 6-5/8", 22', Stainless Steel**

**Overhang Assembly, 6-5/8", 22', Aluminum**

**Overhang Assembly, 6-5/8", 22', Poly-Lined**



Ref.	Original Part No.	Substitute Part No.	Description
1	03-0893-2		Leg, Overhang, w/Anchor Joint, 84"
2	03-4717-9		Bracket, Drop Cable, Tie Down
3	03-8202-8		Tie, Overhang, Half, 58"
4	03-8209-3		Cable, Overhang, w/Pin, 82' - 5-1/2"
5	04-8208-3		Eyelet, Tie Back Cable
6	06-0250-8		Washer, Flat, 3/8"
7	06-0804-2		Screw, 1/2-13 x 1-1/4", Hex, Gr. 5
8	06-0805-9		Screw, 1/2-13 x 2", Hex, Gr. 5
9	06-0824-0		Nut, Hex, 1/2-13
10	06-0843-0		Washer, Flat, 1/2"
11	06-0884-4		Clamp, Cable, 3/8"
12	06-2221-7		Screw, 3/8-16 x 1", Hex, Gr. 5
13	06-2418-9		Nut, 1/2-13, Lock
14	06-2420-5		Nut, 3/8-16, Lock
15	06-4486-4		Gasket, 6-5/8" Pipe Flange
16	06-4653-9		Cable, 22' and 44' Overhang Drop
17	12-1043-0		Pipe, Half, 6-5/8", 30" Outlets, Stainless Steel
18	12-3750-0		Pipe, Half, 6-5/8", 90" Outlets, Aluminum
19	11-6177-7		Cap, Overhang, 6-5/8" w/Coupling, Stainless Steel
20	11-6333-6		Clip, Conduit, Spring Wire, 6-5/8", Stainless Steel
21	26-0760-4		Screw, 1/2-13 x 1-1/2", Hex, Gr. 5
22	12-3752-0		Pipe, Half, 6-5/8", 30" Outlets, Aluminum
23	13-4505-0		Pipe, Half, 6-5/8", 90", Poly-Lined
24	11-6031-6		Gasket, Flange, 6-5/8", No Lip

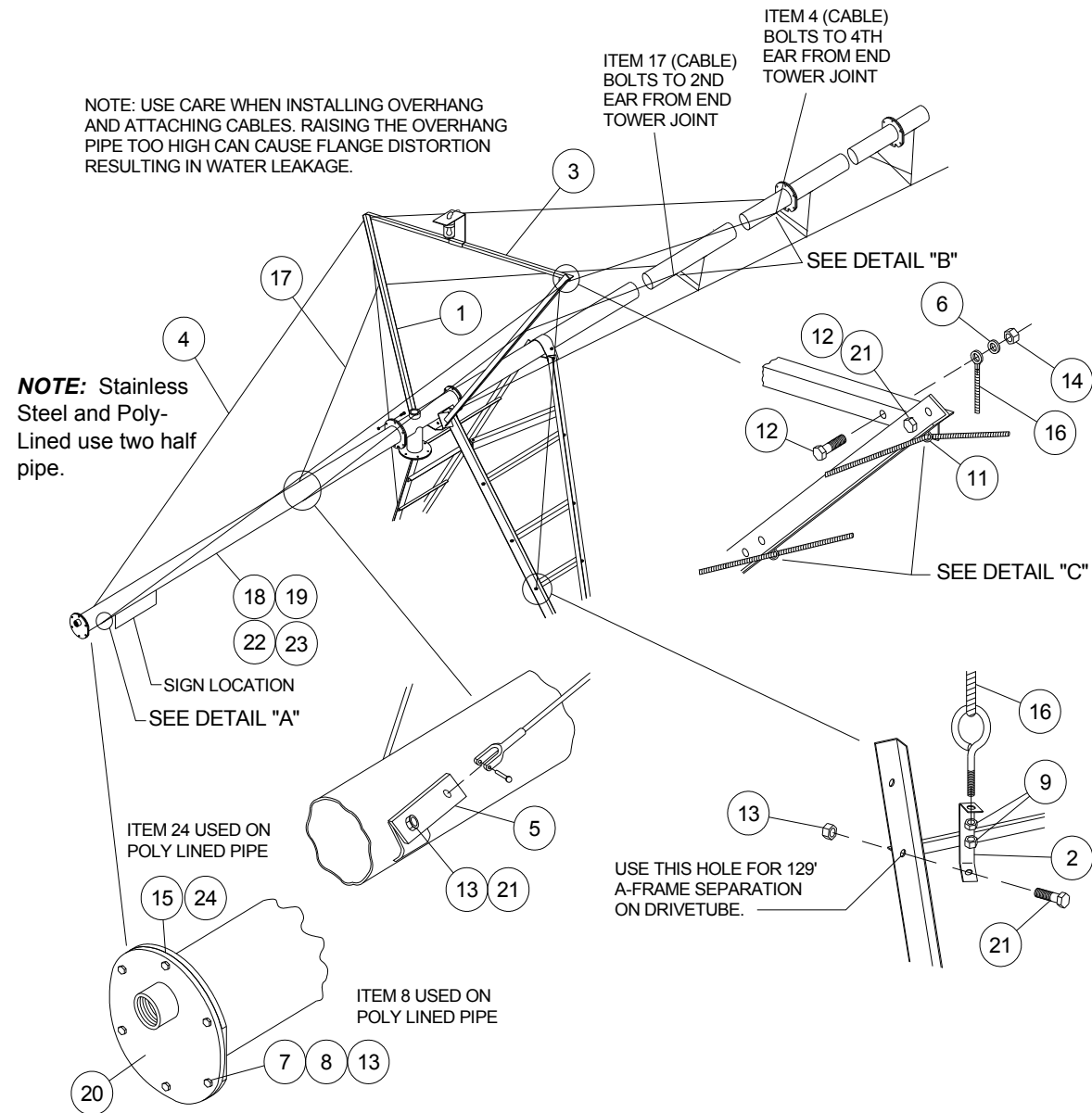


# Overhangs

**Overhang Assembly, 6-5/8", 44', Stainless Steel (Uses two Half Pipe)**

**Overhang Assembly, 6-5/8", 44', Aluminum**

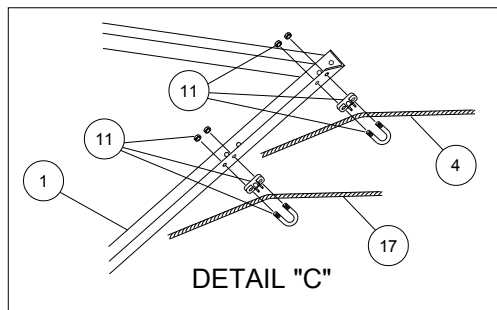
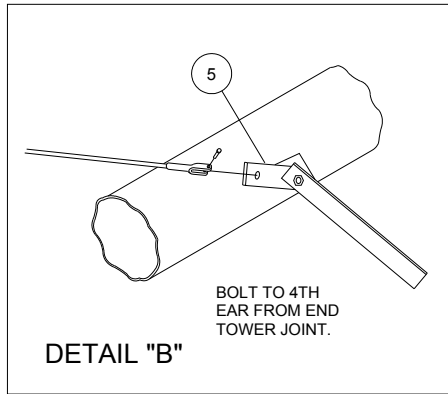
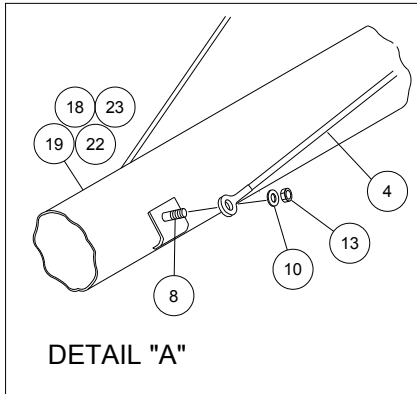
**Overhang Assembly, 6-5/8", 44', Poly-Lined (Uses two Half Pipe)**





# Overhangs

**Overhang Assembly, 6-5/8", 44', Stainless Steel (Uses two Half Pipe)**  
**Overhang Assembly, 6-5/8", 44', Aluminum**  
**Overhang Assembly, 6-5/8", 44', Poly-Lined (Uses two Half Pipe)**

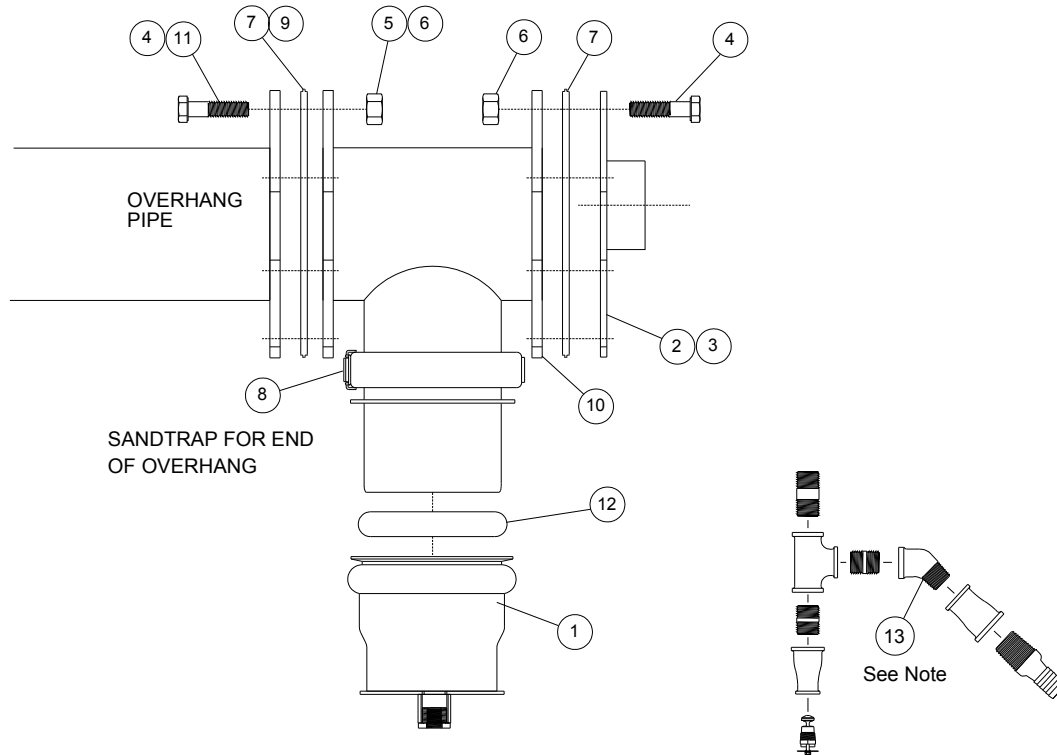


Ref.	Original Part No.	Substitute Part No.	Description
1	03-0893-2		Leg, Overhang, w/Anchor Joint, 84"
2	03-4717-9		Bracket, Drop Cable Tie-Down
3	03-8202-8		Tie, Overhang, Half, 58"
4	03-8209-3		Cable, Overhang, w/Pin, 82' - 5-1/2"
5	04-8208-3		Eyelet, Tie-Back Cable
6	06-0250-8		Washer, Flat, 3/8"
7	06-0804-2		Screw, 1/2-13 x 1-1/4", Hex, Gr. 5
8	06-0805-9		Screw, 1/2-13 x 2", Hex, Gr. 5
9	06-0824-0		Nut, Hex, 1/2-13
10	06-0843-0		Washer, Flat, 1/2"
11	06-0884-4		Clamp, Cable, 3/8"
12	06-2221-7		Screw, 3/8-16 x 1", Hex
13	06-2418-9		Nut, 1/2-13, Lock
14	06-2420-5		Nut, 3/8-16, Lock
15	06-4486-4		Gasket, Pipe Flange, 6-5/8"
16	06-4653-9		Cable, 22' and 44' Overhang Drop
17	10-1622-9		Cable, Overhang, 44' w/Pins
18	12-1043-0		Pipe, Half, 6-5/8", 30" Outlets, SS
19	12-3751-0		Pipe, Span, 6-5/8", 90" Outlets, Aluminum
20	11-6177-7		Cap, Overhang Pipe w/Coupling, Stainless Steel
21	26-0760-4		Screw, 1/2-13 x 1-1/2", Hex, Gr. 5
22	12-3753-0		Pipe, Span, 6-5/8", 30" Outlets, Aluminum
23	13-4505-0		Pipe, Half, 6-5/8", 90", Poly-Lined
24	11-6031-6		Gasket, Flange, 6-5/8", No Lip



# Overhangs

## Joint Flush-out Kit, 10-0762-4



**NOTE:** Item 13 is used with 55', 66' & 88' overhangs with booster pump. Install between the nipple and reducer to allow clearance for cleanout.

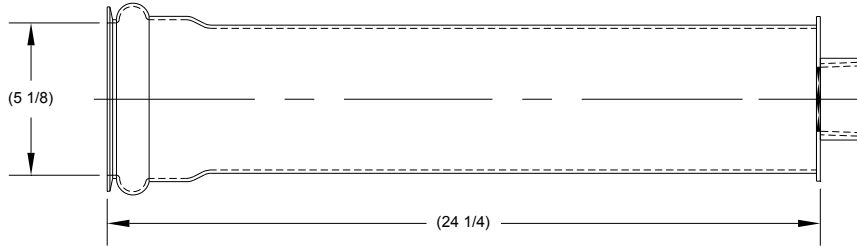
Ref.	Original Part No.	Substitute Part No.	Description
1	03-4727-8		Cap, Sandtrap, 5-9/16"
2	04-0085-3		Cap, Overhang Pipe, w/2-1/2" Coupling
3	04-0137-2		Cap, Overhang Pipe, 4"
4	06-0803-4		Screw, 3/8-16 x 1-1/2", Hex, Gr. 5
5	06-2418-9		Nut, 1/2-13, Lock
6	06-3419-6		Nut, 3/8-16, Top Lock Hex, Flange
7	06-3443-6		Gasket, Overhang, Flange, 5-9/16"
8	06-3712-4		Clamp, Ringlock, 5" Steel Coupler
9	06-4443-5		Gasket, 6-5/8", Overhang Pipe
10	10-0759-0		Joint, Flushout
11	26-0760-4		Screw, 1/2-13 x 1-1/2", Hex, Gr. 5
12	66-1050-5		Gasket, Roundback, Pierce, 5"
13	10-9973-8		Elbow, Street, 2" x 45 degree

**NOTE:** Gaskets and Screws are shown for both 6-5/8 and 5-9/16" overhang. End Cap is shown for standard and 88' overhang w/booster pump. End Cap is not included in Kit.



# Overhangs

## Sand trap, Cap

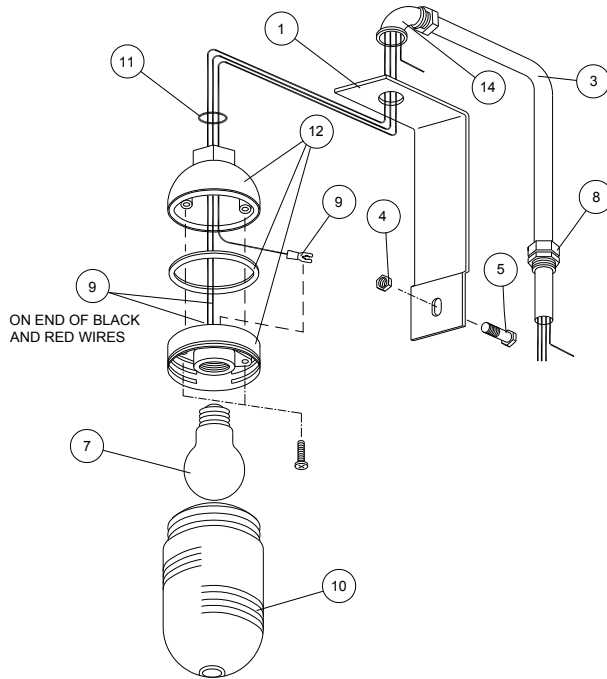


Ref.	Original Part No.	Description
1	14-7039-0	Cap, Sand Trap, 5-9/16", 24" w/2" C



# Overhangs

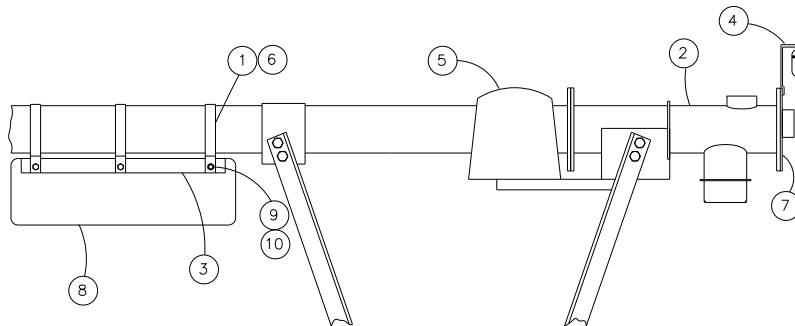
## Tower Light Detail, 3-1330-4



Ref.	Original Part No.	Substitute Part No.	Description
1	03-1335-3		Bracket, Light
2	03-4629-6		Termifoil Assembly
3	03-6737-5		Cable, Electric, 4#14 x 14'
4	06-0841-4		Nut, 1/4-20, Hex
5	06-1580-7	11-8405-0	Screw, 1/4-20 x 1", Hex, Stainless
6	06-2515-2		Clip, Speed, "S"
7	09-0010-0		Bulb, 75 Watt, 120V, GE, #74A21/RS

Ref.	Original Part No.	Substitute Part No.	Description
8	09-0839-2		Connector, 1/2" w/Nut, .37-.50 Dia.
9	09-7608-4		Terminal, Wire, B, #16-14, Spade 8
10	09-8871-7		Globe, Light Fixture, Plastic
11	09-9155-4		O-Ring, 1/2" Conduit
12	09-9352-7		Light, Fixture, Tower Assembly
13	11-6062-1		Tab, White Collector Ring
14	13-5187-0		Connector, 1/2" x 90°, .44-.50

## Light and Sign Mount, w/o Overhang



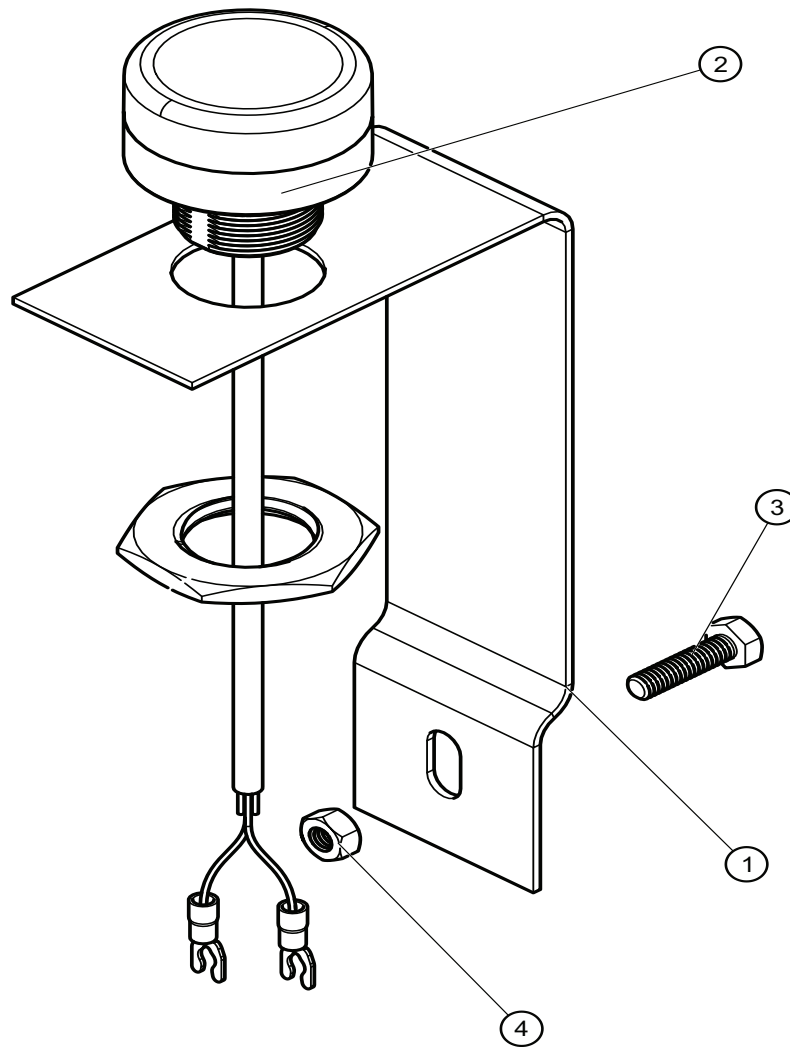
Ref.	Original Part No.	Substitute Part No.	Description
1	03-0177-0		Strap, Sign Mount, 5-9/16"
2	03-0706-6		Joint, Comb, Last Tower, w/Anchor
3	03-1150-6		Bracket, Sign, Zimmatic, 53"
4	03-1330-4		Light, Assembly, Last Tower
5	03-7988-3		Panel, Tower, Control, Last, 10 Wire

Ref.	Original Part No.	Substitute Part No.	Description
6	03-8216-8		Strap, Sign Mount, 6-5/8"
7	04-0085-3		Cap, O.H., Pipe, w/2-1/2" Coupling
8	10-5029-3		Sign, "Zimmatic"
9	06-3146-5		Screw, 5/16-18 x 1-1/2", Hex, Gr. 5
10	06-4364-3		Nut, 5/16-18, Lock



# Overhangs

## LED Lighting, Overhang



Ref.	Part No.	Description
1	1601435	Bracket, Light, LED
2	1601436	Light, Fixture, LED, White, Beacon
3	1184050	Screw, 1/4-20 x 1", Hex, Gr. 2
4	0608414	Nut, 1/4-20, Hex, A563

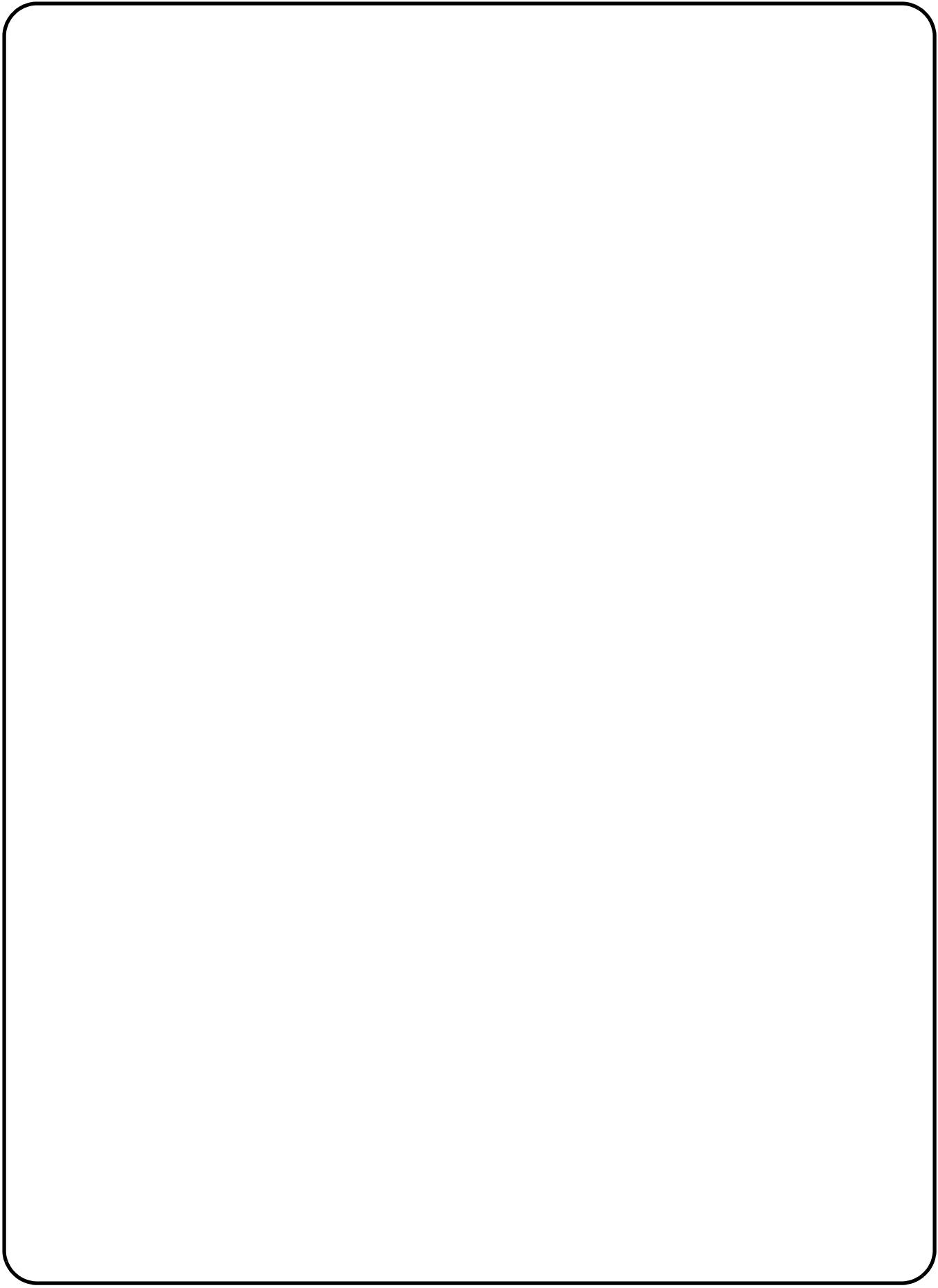
# Overhangs





## Table of Contents

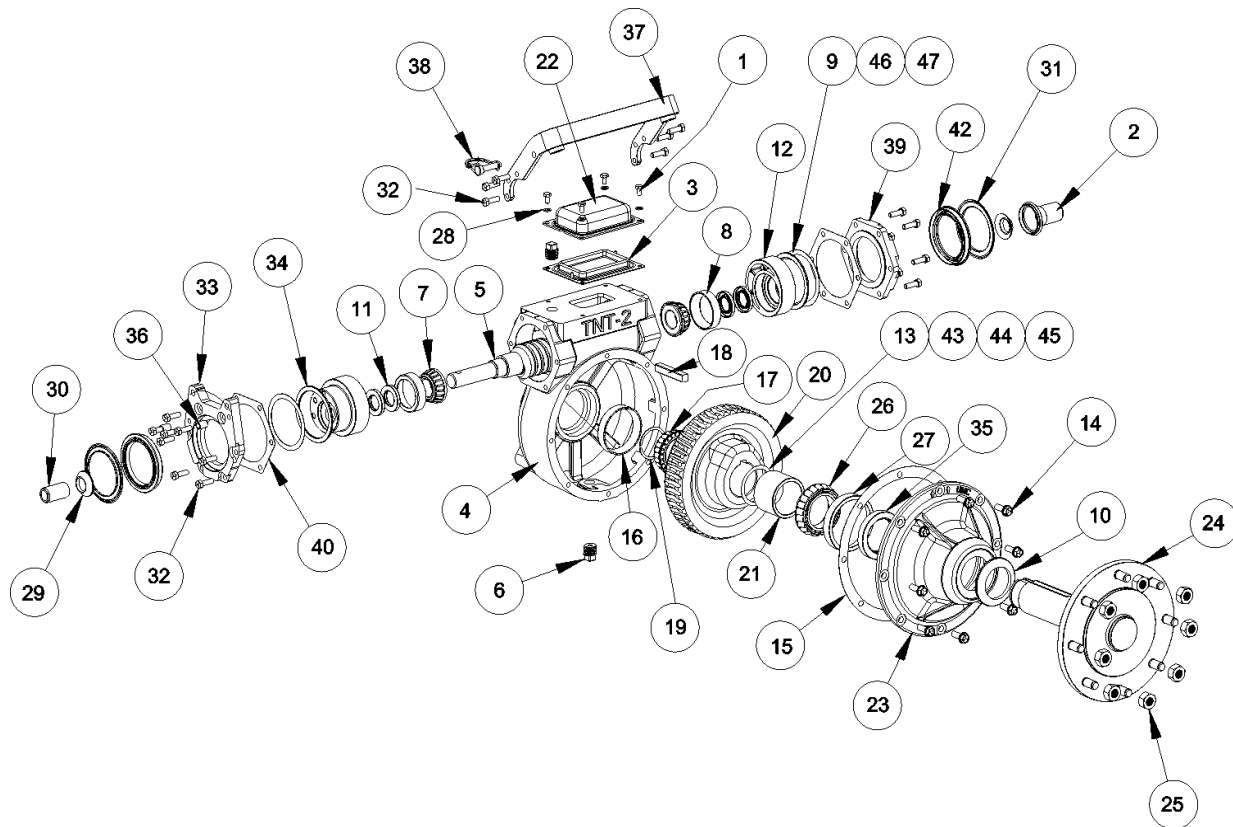
<b>Gearboxes</b> .....	H-3
Gearbox, 2-1/4", Tow, Non-Tow, 14-5230-0 .....	H-3
Gearbox, Non-Tow, Extreme Duty, 11-2482-5 .....	H-4
Gearbox, Non-Tow, AT, 1605990.....	H-5
Gearbox Shims .....	H-6





# H Gearboxes

## Gearbox, 2-1/4", Tow, Non-Tow, 14-5230-0



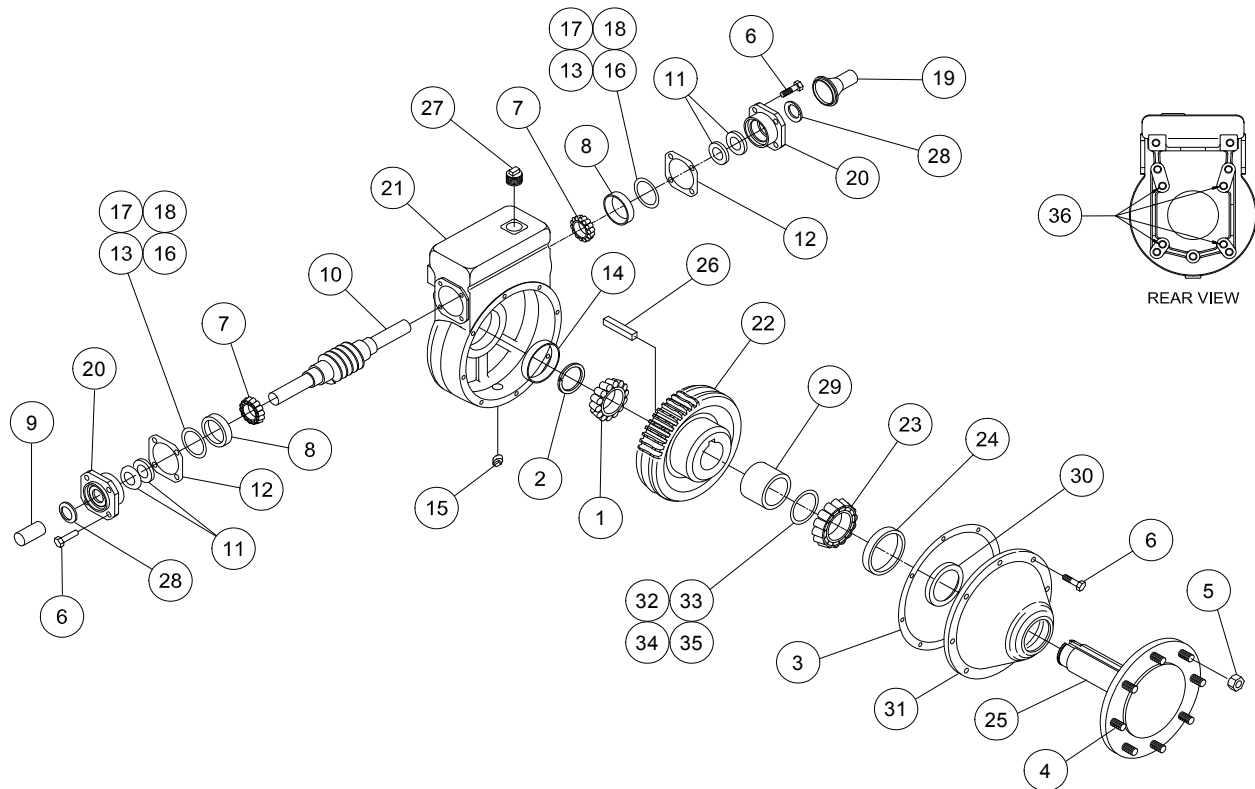
Ref.	Original Part No.	Substitute Part No.	Description
1	12-1732-0		Screw, Hex, Cap, 1/4-20 x .5 LG.
2	11-1225-9		Guard, Shaft, Made in China
3	06-4667-9		Diaphragm, Rubber (Stamp Cover)
4	14-9071-0		Housing, LW 725, TNT-2
5	11-7907-6		Worm, TNT 50:1
6	06-3577-1		Plug, Pipe, 1/2", Square Head
7	06-3812-2		Cone, Bearing, 1.1875 I.D.
8	06-3813-0		Cup, Bearing, 2.5312 O.D.
9	11-7908-4		Shim, Input, .006"
10	14-5277-0		Seal Saver 2.25 Shaft
11	11-7912-6		Seal, Oil, Dbl. Lip, 1 x 1.752x .25
12	14-9050-0		End Cap TNT-2
13	11-5934-2		Shim, Output, .006"
14	06-2221-7		Screw, Hex, Flange, 3/8-16 x 1
15	12-0449-0		Gasket, Cover
16	06-4686-0		Bearing, Cup, 3.25 O.D.
17	06-2104-5		Bearing, Cone, 2.00 I.D. SPL
18	11-2561-6		Key, 1/2" Sq. x 2.88 L.
19	06-2109-4		Ring, Snap, 1.88 O.D.
20	11-2557-4		Gear, Universal, 50:1, 2-1/4" I.D.
21	14-9065-0		Spacer, TNT-2, 1.99 L.
22	06-4662-0		Cover, TNT Expan. Chamber
23	14-5272-0		Cover, Gearbox, 2.25", Universal

Ref.	Original Part No.	Substitute Part No.	Description
24	11-7934-0		Shaft, Assy, Out. Weld, 2-1/4"
25	06-2154-0		Nut, Lug 9/16-18, ZN Plate
26	11-2558-2		Bearing, Cone, 2.25 I.D.
27	11-2559-0		Bearing, Cup, 3.8125 O.D.
28	06-1510-4		Washer, Lock, Hel. Spring 1/4"
29	11-5985-4		Seal, Shaft Face, Rubber, 1"
30			Cover, PVC Shaft 50mmx1.75"
31	14-9056-0		Cover, Dust, TNT-2
32	11-9417-0		Screw, Hx, Cap, 5/16-8x1, GR5
33	14-9051-0		End Plate, Std. TNT
34	11-7918-3		Washer, Bearing TNT
35	14-9057-0		Seal, Oil, Triple Lip, 2.25x3.251
36	14-9054-0		Stop, Handle
37	14-9053-0		Handle, TNT-2
38	11-7928-0		Pin, Lock, 3/8x1-3/8 L.
39	14-9052-0		End Plate, Hex, TNT-2
40	14-9072-0		Gasket, End Plate, TNT-2
41			
42	14-9055-0		Seal, Oil, 3x3.751x.375 Flange
43	11-5935-9		Shim, Output, .010
44	11-5936-7		Shim, Output, .015
45	11-5937-5		Shim, Output, .020
46	11-7909-2		Shim, Input, .020
47	11-7910-0		Shim, Input, .012



# Gearboxes

## Gearbox, Non-Tow, Extreme Duty, 11-2482-5



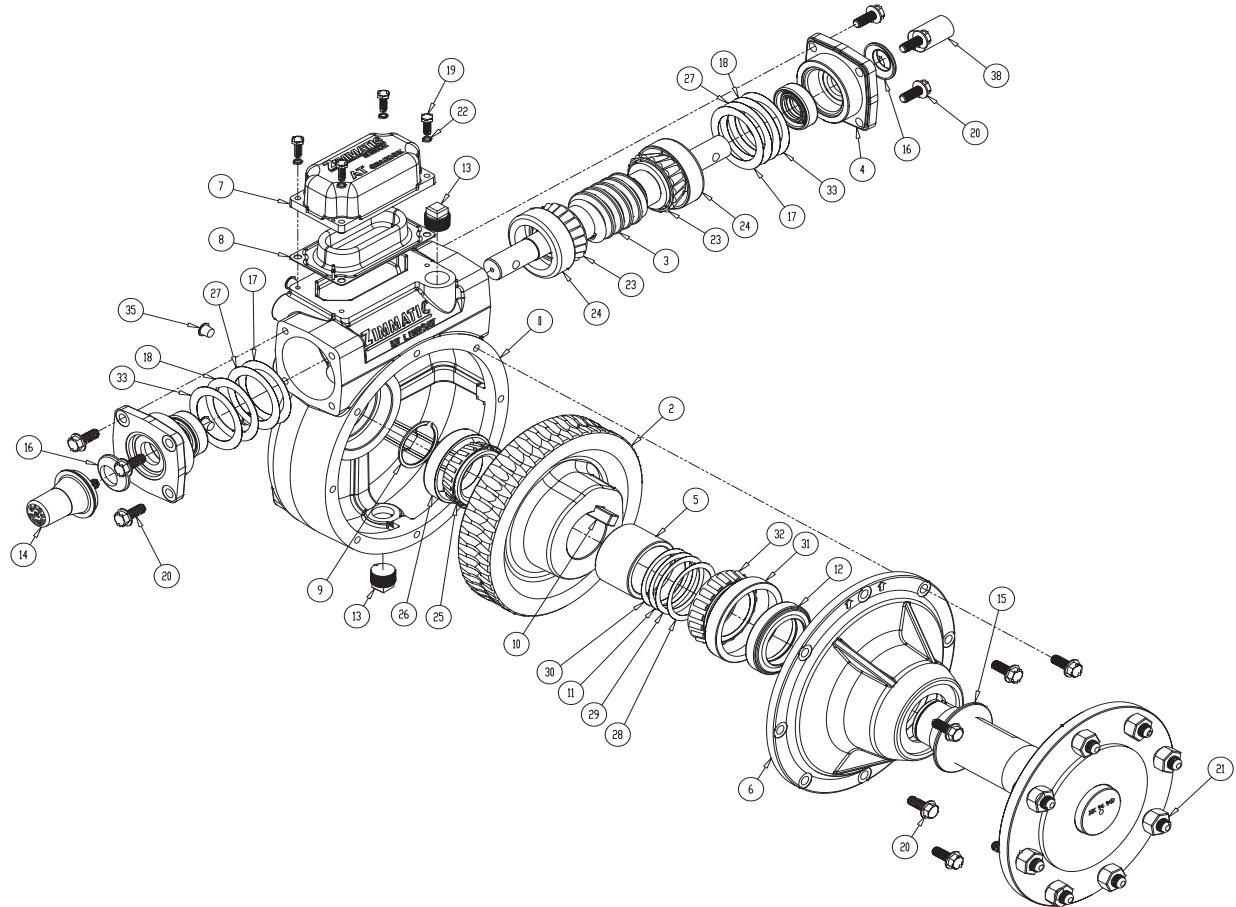
Ref.	Original Part No.	Substitute Part No.	Description
1	6-2104-5		Cone, Bearing, LM104949, C103
2	6-2109-4		Ring, Snap, Gearbox
3	6-2150-8		Gasket, Cover, Gearbox
4	6-2153-2		Bolt, 9/16 x 1-5/8", Hub, Gr. 5
5	6-2154-0		Nut, 9/16-18, Wheel, Lug
6	6-2221-7		Screw, 3/8-16 x 1, Hex, Gr. 5
7	6-3812-2		Cone, Bearing, M86649
8	6-3813-0		Cup, Bearing, M86610
9	6-4055-7		Cap Shaft, 15/16" I.D.
10	6-4664-6		Shaft, Worm, Double End, E4596
11	6-4665-3		Seal, Grease, Input, K278
12	6-4666-1		Gasket, End Cap, K319-1
13	6-4669-5		Shim, Input, .020
14	6-4686-9		Cup, Bearing, LM104911
15	6-4812-1		Plug, Pipe, 1/2", Black
16	10-9233-7	N/A	Shim, Bearing, Input, .005
17	10-9234-5		Shim, Bearing, Input, .007
18	10-9235-2		Shim, Bearing, Input, .010

Ref.	Original Part No.	Substitute Part No.	Description
19	11-1225-9		Shaft Protector
20	11-2554-1	N/A	Cap, End, Open, A192-S
21	11-2555-8		Housing, Gearbox, Lindsay
22	11-2557-4		Gear, Worm, 2-1/4"
23	11-2558-2		Cone, Bearing 2-1/4" 387A
24	11-2559-0		Bearing, Cup, 382A
25	11-2560-8		Shaft, Output, 2-1/4"
26	11-2561-6		Key, Chamfered
27	06-1490-9		Plug, Pipe, Sq. Head, 3/4", Galv.
28	11-5985-4		Seal, Face
29	11-2566-5		Spacer, Gearbox, 2-1/4" I.D.
30	11-4005-2		Seal, 2.250 x 3.000, UMC, 3 Lip
31	11-4006-0		Cover, Gearbox, 2-1/4", UMC
32	11-5934-2		Shim, Bearing, Output, 0.006
33	11-5935-9		Shim, Bearing, Output, 0.010
34	11-5936-7		Shim, Bearing, Output, 0.015
35	11-5937-5		Shim, Bearing, Output, 0.020
36	11-5938-3		Plug, Caplug, #3X



# Gearboxes

## Gearbox, Non-Tow, AT, 1605990 (Beginning Jan. 2016)



Ref.	Original Part No.	Substitute Part No.	Description
1	1606024		Housing, Gearbox
2	1606017		Bull Gear
3	1606025		Shaft, Worm, Gearbox
4	1606022		End Cap, Input Shaft, Gearbox
5	1606027		Spacer, 2-1/4", Gearbox
6	1606021		Gearbox Cover
7	1606028		Expan. Chamber Cover, Gearbox
8	1606029		Diaphragm, Gearbox
9	1605996		Snap Ring, Gearbox
10	1606007		Key, Chamfered
11	1606010		Shim, Bearing, Output, 0.010"
12	1607347		Oil Seal, Output, 57.15mm
13	1605991		Pipe Plug, Sq. Head, 3/4"
14	1606005		Shaft Protector, Gearbox
15	1606030		Face Seal, 2-1/4", Gearbox
16	1606014		Face Seal, Input, 1"
17	1606002		Shim, Bearing, Input, 0.007
18	1606004		Shim, Bearing, Input, 0.020
19	1029859		Screw, 1/4-20 x 3/4", Hex

Ref.	Original Part No.	Substitute Part No.	Description
20	1070457		Screw, 3/8-16 x 1", Hex, Flange
21	1606026		Shaft Ass'y, 2-1/4", Output
22	1605994		Washer, 1/4", Lock, Helical
23	1605995		Cone, Bearing, 1-1/4" Shaft
24	1605999		Cup, Bearing, 1-1/4" Shaft
25	1606006		Cone, Bearing, 2" Shaft
26	1606008		Cup, Bearing, 2" Shaft
27	1605998		Shim, Bearing, Input, 0.005"
28	1606011		Shim, Bearing, Output, 0.015"
29	1606012		Shim, Bearing, Output, 0.020"
30	1606009		Shim, Bearing, Output, 0.006"
31	1606015		Cup, Bearing, 2-1/4" Shaft
32	1606016		Cone, Bearing, 2-1/4" Shaft
33	1606003		Shim, Bearing, Input, 0.010"
34	1606018		Sealant, Cover, Gearbox
35	1159383		Plug, Caplug, #3X
36	N/A		Oil, AGMA EP #7 or 85W 140 GL5
37	1607348		Oil Seal, Input, 27.05mm
38	1609459		Cover, Input Shaft, Gearbox



# Gearboxes

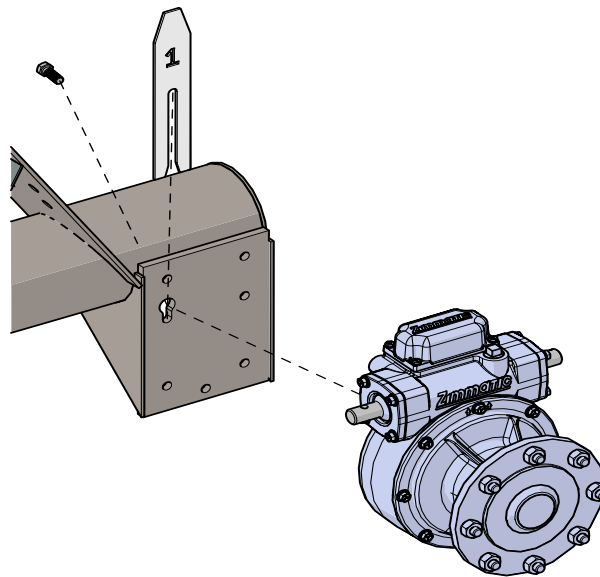
## Gearbox Shims

### Shim Kits

Ref.	Original Part No.	Substitute Part No.	Description
1	1610177		Kit, Standard DT Shim
2	1610178		Kit, Med. Clearance DT Shim
3	1610179		Kit, High Clearance DT Shim
4	1610180		Kit, Super-High Clearance DT Shim

### Individual Shims

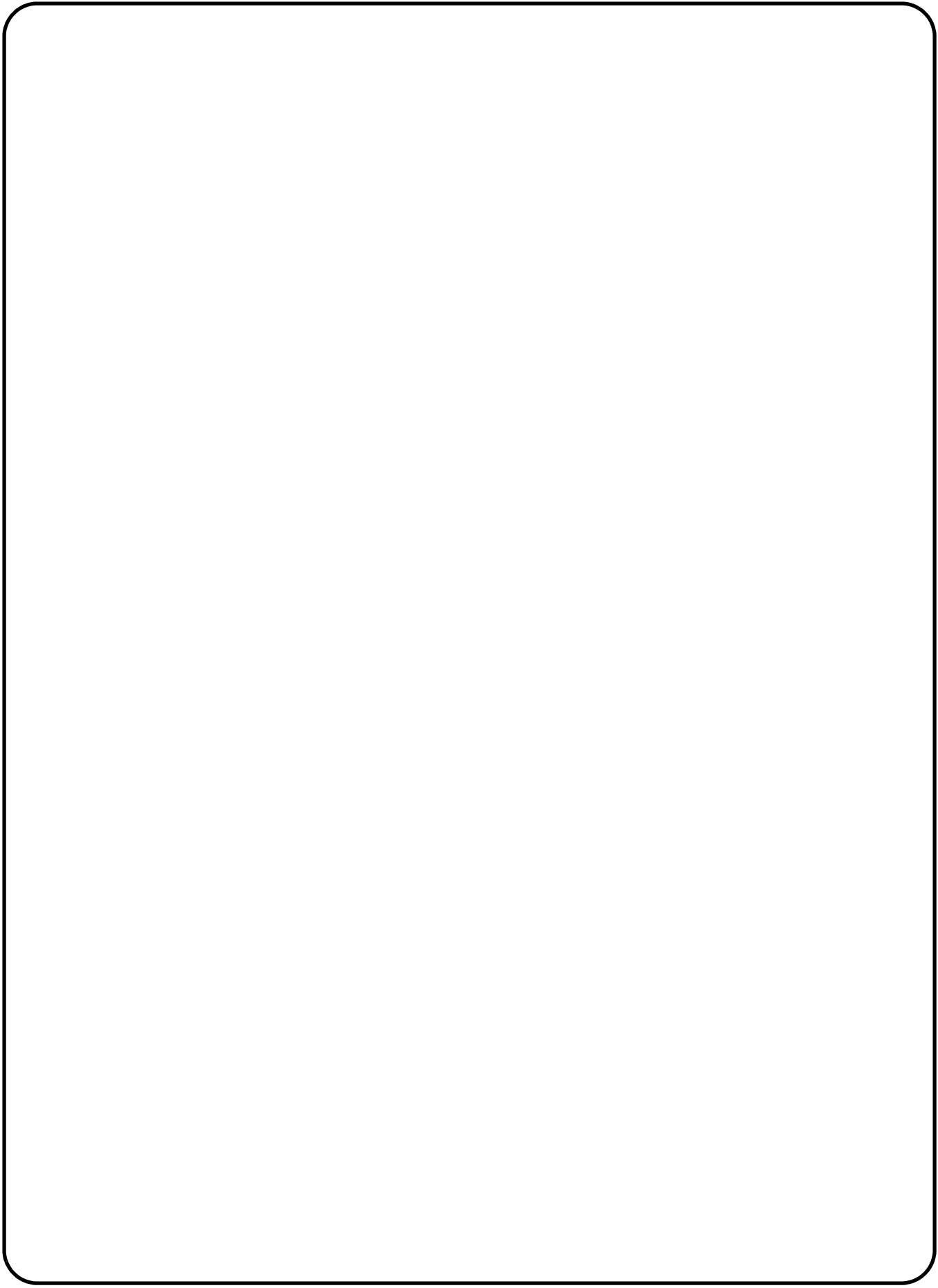
Ref.	Original Part No.	Substitute Part No.	Description
1	1610104		Shim, First Tower, #1
2	1610105		Shim, Second Tower, #2
3	1610106		Shim, Third Tower, #3
4	1610107		Shim, Fourth Tower, #4
5	1610108		Shim, Floating, #5
6	2607604		Screw, 1/2-13 x 1-1/2",Hex





## Table of Contents

<b>Center Drives</b> .....	I-3
Center Drive Assembly (Beginning Serial #L42081, May, 1992).....	I-3
Center Drive Assembly, 3/4 HP, 43 RPM, 380/460, 10-9540-5.....	I-5
Center Drive Assembly (1 HP, 30 RPM, 03-4984-5 3/4 HP, 43 RPM, 03-4184-2 and 1-1/2 HP, 86 RPM, 03-4853-2).....	I-7
Motor Assembly, Lindsay C.D., 1 HP, 59 RPM, 12-5327-0.....	I-9
Lindsay Gear Oil Replacement .....	I-11
Motor Cover.....	I-11
Z-Vent, Plastic, 1/4" .....	I-11

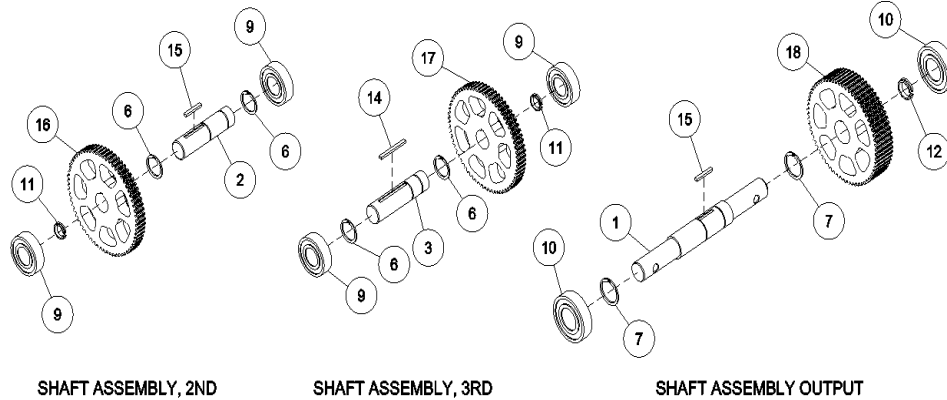




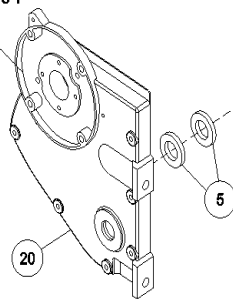
# I Center Drives

## Center Drive Gearbox Assemblies

**NOTE:** Order parts only, assemblies not available.

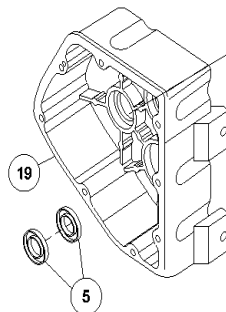


APPLY SEALANT P/N 06-3876-7 OR EQUIVALENT



COVER ASSEMBLY

GEARBOX OIL: REFER TO SECTION: LINDSAY GEARBOX OIL REPLACEMENT



HOUSING ASSEMBLY

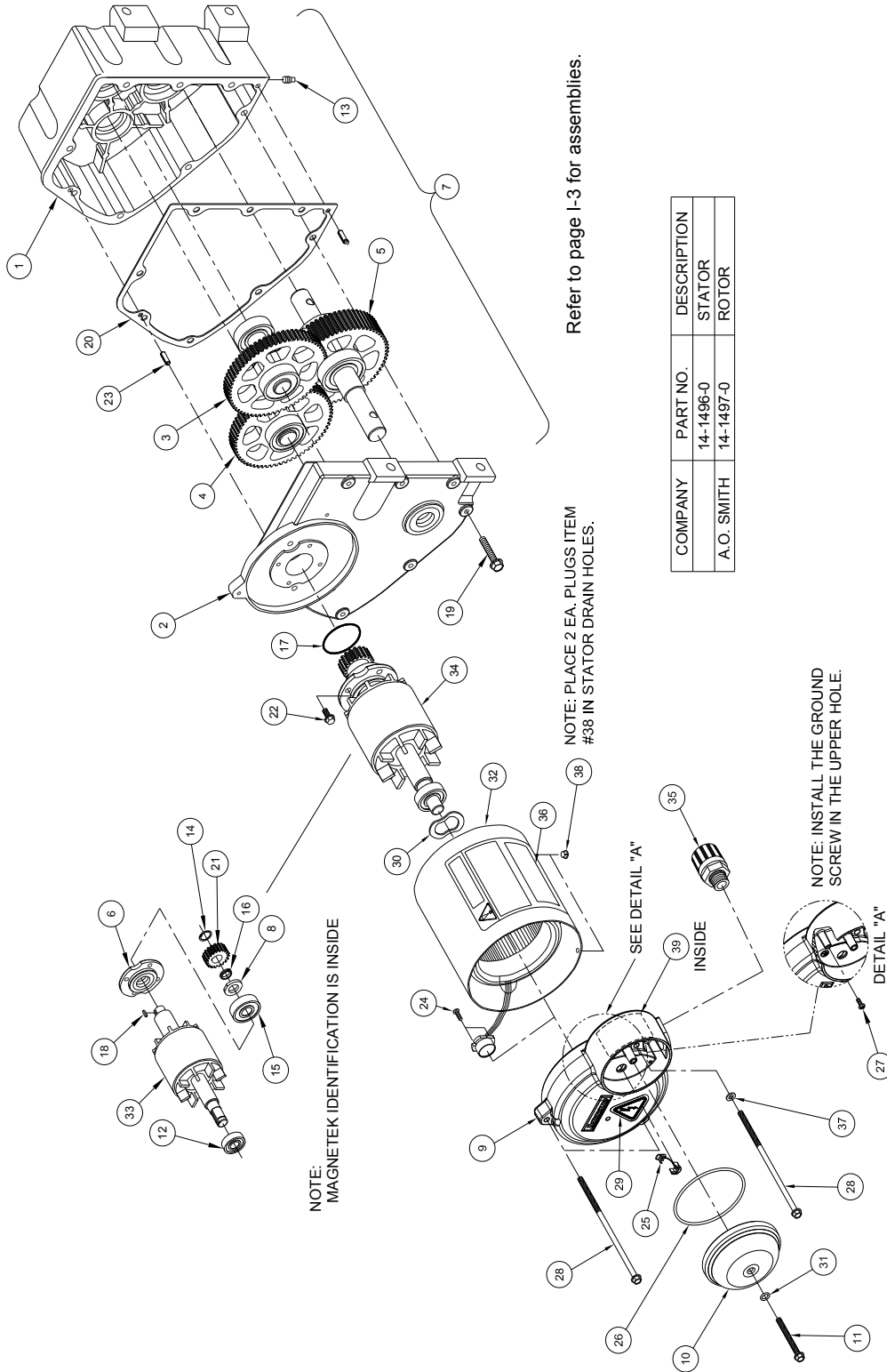
Ref.	Original Part No.	Substitute Part No.	Description
1	03-4081-0		Shaft, Output, Center Drive, 1"
2	03-4082-8		Shaft, 2nd, Center Drive, 1"
3	03-4083-6		Shaft, 3rd, Center Drive, 1"
4			
5	06-2106-0		Seal, Grease, GB, C/R, #9998
6	06-3099-6		Ring, Ret., Inverted Ext., 1"
7	06-3100-2		Ring, Ret., Inverted Ext., 1-3/16"
8			
9	06-3102-8		Bearing, Ball, 6205, 0.984 I.D
10	06-3103-6		Bearing, Ball, 6206, 1.181 I.D.

Ref.	Original Part No.	Substitute Part No.	Description
11	06-3106-9		Ring, Load, 25mm Shaft
12	06-3107-7		Ring, Load, 30mm Shaft
13			
14	06-3114-3		Key, 1/8 x 3/16x 1-15/16", Heat Treat
15	06-3115-0		Key, 1/8 x 3/16x 1-1/4", Heat Treated
16	06-3130-9		Gear, Spur, Center Drive 2nd
17	06-3131-7		Gear, Spur, Center Drive 3rd
18	06-3132-5		Gear, Spur, Center Drive 4th
19	10-4666-3		Housing, Center Drive, Machined
20	10-4668-9		Cover, Center Drive, Machined



# Center Drives

## Center Drive Assembly, 3/4 HP, 43 RPM, 380/460, 10-9540-5



COMPANY	PART NO.	DESCRIPTION
A.O. SMITH	14-1496-0	STATOR
	14-1497-0	ROTOR



## Center Drives

### Center Drive Assembly, 3/4 HP, 43 RPM, 380/460, 10-9540-5 (cont'd.)

Ref.	Original Part No.	Substitute Part No.	Description
1	MP	Note	Housing Assembly
2		Note	Cover Assembly
3		Note	Shaft Assembly, 2nd
4		Note	Shaft Assembly, 3rd
5		Note	Shaft Assembly, Output
6		Note	Retainer Assembly, Seal, Center Drive
7		Note	Gearbox Assembly
8	3-4182-6		Spacer, Center Drive
9	14-4914-0		Bracket, Motor, Lindsay
10	14-4916-0		Cover, Conduit Box, Center Drive
11	14-4920-0		Clamp, Grommet, Motor Bracket
12	6-0987-5		Bearing, Ball, 620 3LLU
13	6-2103-7		Plug, Pipe, Sq. Head, 3/8"
14	6-3098-8		Ring, Ret., Inverted Ext., 3/4"
15	6-3104-4		Bearing, Ball, 6304LLU
16	6-3105-1		Ring, Load, 3/4" Shaft
17	6-3109-3		O-Ring, 2" I.D. x 2-1/8" O.D.
18	6-3112-7		Key, 1/8 x 3/16 x 5/8", Heat Treated
19	6-3120-0		Screw, 5/16-18 x 1-3/4", Special
20	6-3128-3		Gasket, Center Drive Cover
21	6-3129-1		Gear, Spur, Center Drive 1st
22	6-3148-1		Screw, 1/4-20 x 5/8", Hex, Gr. 5, LW
23	6-3195-2		Pin, Spring, .25" x .75", PLM
24	6-3249-7		Screw, 8-32 x 5/8", Pan, Head
25	14-4919-0		Grommet, Motor End Bkt., Lindsay CD
26	14-4917-0		Screw, #10-32 x 7/16 PPH
27	6-3297-6		Screw, #10-32 x 7/16 PPH, Tyc, Green
28	6-3300-8		Screw, 1/4-20 x 8-11/16", HWH
29	11-7354-1		Gasket, Conduit Box Cover, C.D.
30	6-3342-0		Washer, Wave, 1-3/16 I.D. x 1-9/16" O.D.
31	14-4918-0		Screw, 1/4-20 x 5/8"
32	14-1496-0		Stator, 3/4 HP, 50HZ, 1800 RPM, 08F
33	14-1497-0		Rotor, 3/4 HP, 50HZ, 1800 RPM, 08F
34	11-4252-0		Rotor Assembly, 3/4 HP, 1800 RPM, 380/460
35	11-4325-4		Kit, Motor, 3/4 HP, 380/460
36	14-3220-0		Nameplate, LCD08, 3/4 HP, 43R, 380V
37	6-4523-4		Washer, 1/4", Nylon
38	6-4235-5* 14-2883-0*		Plug, Hole, Nylon, 1/4 x 0.062 thick Z-Vent, Plastic Vent, 1/4"
39	14-8447-0		Decal, Motor Schematic

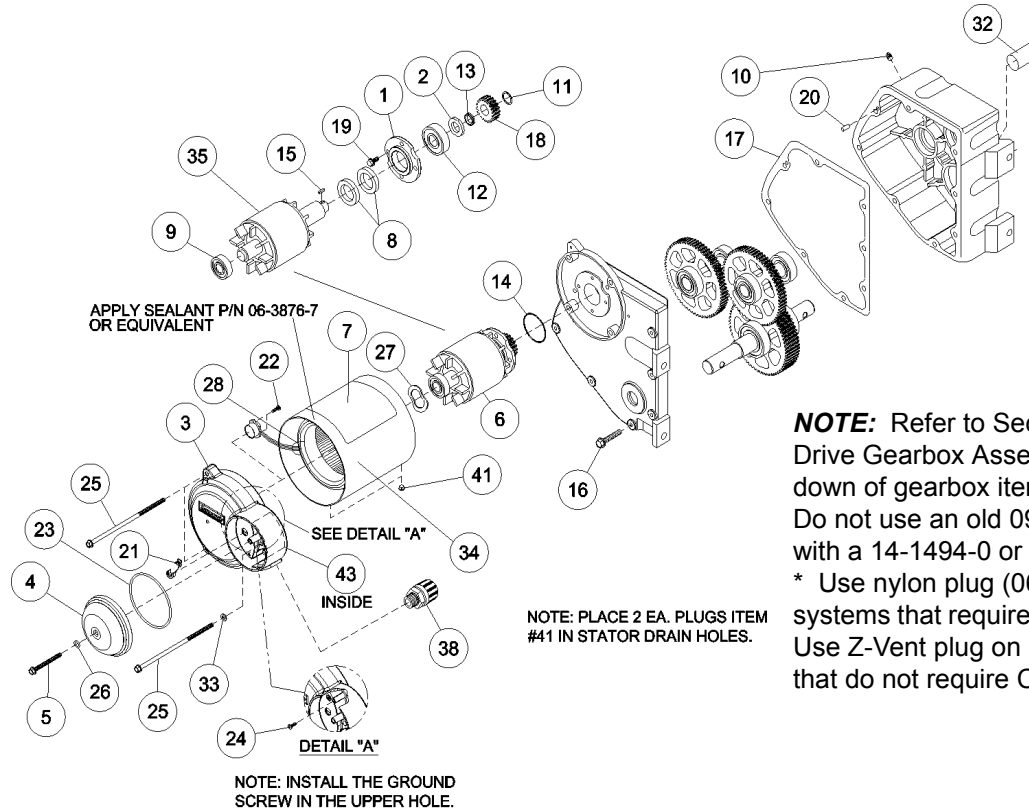
**NOTE:** Assemblies are no longer available. Refer to page I-3 for breakdown of assemblies and item part numbers.

\* Use nylon plug (06-4235-5) for systems that require CE compliance. Use Z-Vent plug on all applications that do not require CE compliance.



# Center Drives

## Center Drive Assembly 3/4 HP, 43 RPM, 03-4184-2



**NOTE:** Refer to Section: Center Drive Gearbox Assemblies for break-down of gearbox items.  
Do not use an old 09-9046-5 rotor with a 14-1494-0 or 1600714 stator.  
\* Use nylon plug (06-4235-5) for systems that require CE compliance. Use Z-Vent plug on all applications that do not require CE compliance.

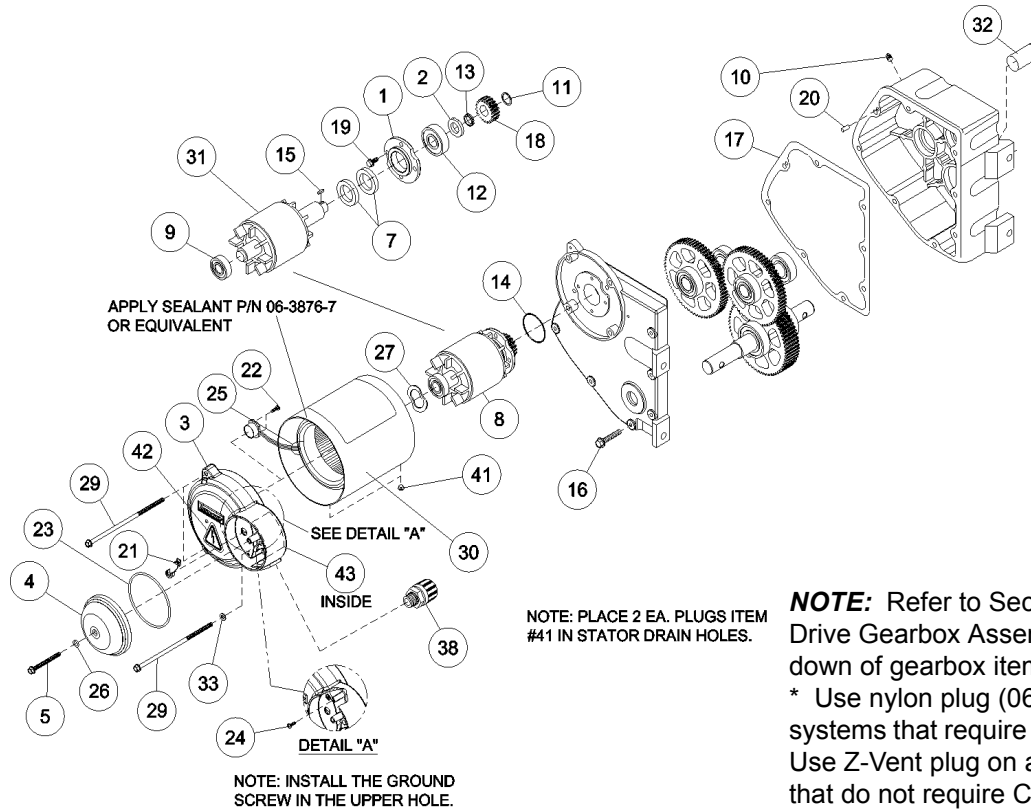
Ref.	Original Part No.	Substitute Part No.	Description
1	03-4084-4		Retainer, Seal, Center Drive
2	03-4182-6		Spacer, Center Drive
3	14-4914-0		Bracket, Motor, Lindsay, RD.Cap
4	14-4916-0		Cap, End Bracket, Clear-Coat
5	14-4920-0		Screw, 1/4-20 x 2, Taptite,SS
6	03-4482-0		Rotor Assy, 3/4HP, 43RPM, 2008F
7	1601083		Label, Warning, Stator
8	06-3101-0		Seal, Grease, Chic Rawhide #9878
9	06-0987-5		Bearing, Ball, 620 3LLU , .669 I.D.
10	06-2103-7		Plug, Pipe, Sq. Head, 3/8"
11	06-3098-8		Ring, Ret., Inverted Ext., 3/4"
12	06-3104-4		Bearing, Ball, 6304LLU,787 I.D
13	06-3105-1		Ring, Load, 3/4" Shaft
14	06-3109-3		O-Ring, 2" I.D x 2-1/8" O.D
15	06-3112-7		Key, 1/8 x 3/16 x 5/8", Heat Treat.
16	06-3120-0		Screw, 5/16-18 x 1-3/4", Special
17	06-3128-3		Gasket, Center Drive Cover
18	06-3129-1		Gear, Spur, Center Drive 1st
19	06-3148-1		Screw, 1/4-20 x 5/8", Hex, Gr. 5
20	06-3195-2		Pin, Spring, .25" x .75", PLM
21	14-4919-0		Strain Relief Bushg. HEYCO#1184
22	06-3249-7		Screw, #8-32 x 5/8" Phillips Pan Hd

Ref.	Original Part No.	Substitute Part No.	Description
23	14-4917-0		O-Ring, 1/8" x 3-7/8", #239
24	06-3297-6		Screw, #10-32 x 7/16 PPH, Green
25	06-3300-8		Screw, 1/4-20 x 8-11/16", HWH
26	14-4918-0		O-Ring, 1/16" x 1/4" x 3/8", #010
27	06-3342-0		Washer,Wave,1-3/16ID x 1-9/16OD
28	09-0816-0		Tie, Cable, Plastic, 5-1/2" Long
29			
30			
31			
32	06-4055-7		Cap, Shaft, Vinyl, 15/16" I.D.
33	06-4523-4		Washer, 1/4", Nylon
34	14-1494-0	1600714	Stator,3/4HP,60Hz,1800RPM, 006
35	14-1495-0		Rotor, 3/4 HP, 1800 RPM, 08F
36			
37			
38	11-4325-4		Connector, 1/2", w/o Nut and O-ring
39			
40	11-9894-0		Kit, Motor, Repair, 3/4HP, 43R, US
41	06-4235-5* 14-2883-0*		Plug, Hole, Nylon, 1/4 x 0.062 thick Z-Vent, Plastic Vent, 1/4"
42			
43	14-8447-0		Decal, Motor Schematic



# Center Drives

## Center Drive Assembly 1 HP, 30 RPM, 03-4984-5



**NOTE:** Refer to Section: Center Drive Gearbox Assemblies for breakdown of gearbox items.  
\* Use nylon plug (06-4235-5) for systems that require CE compliance. Use Z-Vent plug on all applications that do not require CE compliance.

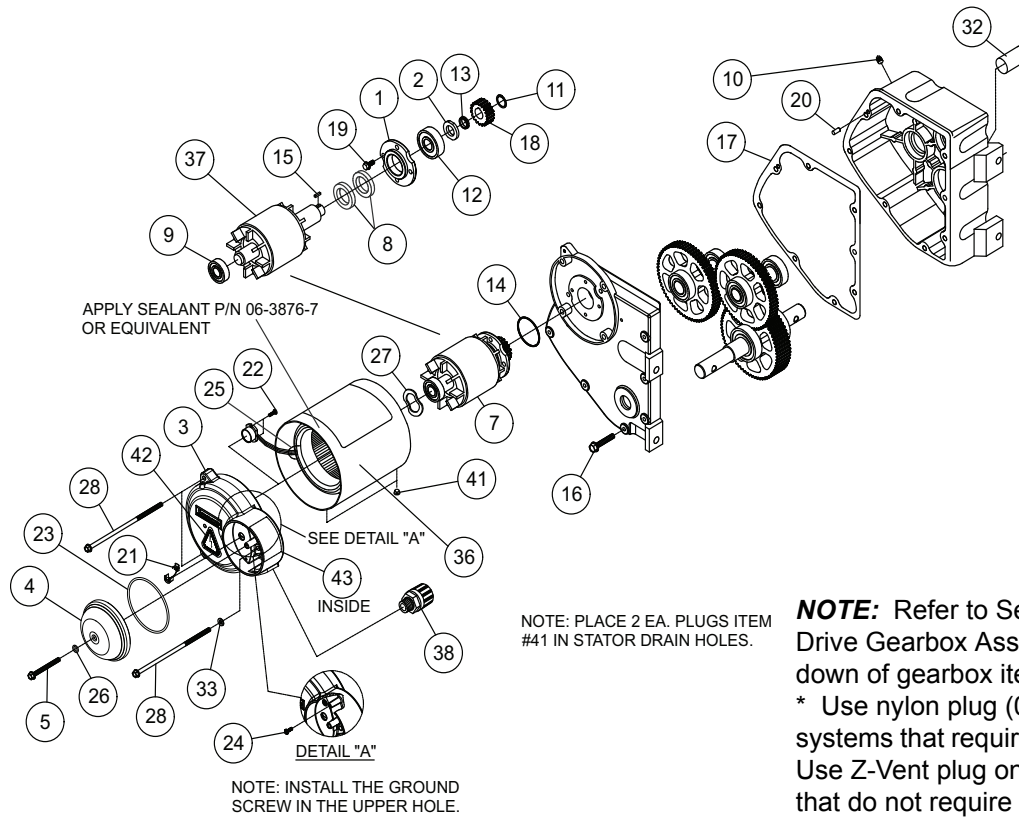
Ref.	Original Part No.	Substitute Part No.	Description
1	03-4084-4		Retainer, Seal, Center Drive
2	03-4182-6		Spacer, Center Drive
3	14-4914-0		Bracket, Motor, Lindsay, RD.Cap
4	14-4916-0		Cap, End Bracket, Clear-Coat
5	14-4920-0		Screw, 1/4-20 x 2, Taptite,SS
6	1601083		Label, Warning, Stator
7	06-3101-0		Seal, Grease, Chic Rawhide #9878
8	03-4983-7		Rotor Assembly, 1HP, 30 RPM
9	06-0987-5		Bearing, Ball, 620 3LLU, .669 I.D.
10	06-2103-7		Plug, Pipe, Sq. Head, 3/8"
11	06-3098-8		Ring, Ret., Inverted Ext., 3/4"
12	06-3104-4		Bearing, Ball, 6304LLU,787 I.D
13	06-3105-1		Ring, Load, 3/4" Shaft
14	06-3109-3		O-Ring, 2" I.D x 2-1/8" O.D
15	06-3112-7		Key, 1/8 x 3/16 x 5/8", Heat Treat.
16	06-3120-0		Screw, 5/16-18 x 1-3/4", Special
17	06-3128-3		Gasket, Center Drive Cover
18	06-3129-1		Gear, Spur, Center Drive 1st
19	06-3148-1		Screw, 1/4-20 x 5/8", Hex, Gr. 5
20	06-3195-2		Pin, Spring, .25" x .75", PLM
21	14-4919-0		Strain Relief Bushg. HEYCO#1184
22	06-3249-7		Screw, #8-32 x 5/8" Phillips Pan Hd

Ref.	Original Part No.	Substitute Part No.	Description
23	14-4917-0		O-Ring, 1/8" x 3-7/8", #239
24	06-3297-6		Screw, #10-32 x 7/16 PPH, Green
25	09-0816-0		Tie, Cable, Plastic, 5-1/2" Long
26	14-4918-0		O-Ring, 1/16" x 1/4" x 3/8", #010
27	06-3342-0		Washer,Wave,1-3/16ID x 1-9/16OD
28			
29	06-3961-7		Screw, 1/4-20 x 9-3/16" HWH
30	06-3962-5		Stator, 1 HP, 1200 RPM
31	06-3963-3		Rotor, 1 HP, 1200 RPM
32	06-4055-7		Cap, Shaft, Vinyl, 15/16" I.D.
33	06-4523-4		Washer, 1/4", Nylon
34			
35			
36			
37			
38	11-4325-4		Connector, 1/2", w/o Nut and O-ring
39			
40			
41	06-4235-5* 14-2883-0*		Plug, Hole, Nylon, 1/4 x 0.062 thick Z-Vent, Plastic Vent, 1/4"
42	11-7354-1		Decal, Electric Shock, ISO/CE
43	14-8447-0		Decal, Motor Schematic



# Center Drives

## Center Drive Assembly 1-1/2 HP, 86 RPM, 03-4853-2



**NOTE:** Refer to Section: Center Drive Gearbox Assemblies for break-down of gearbox items.  
\* Use nylon plug (06-4235-5) for systems that require CE compliance. Use Z-Vent plug on all applications that do not require CE compliance.

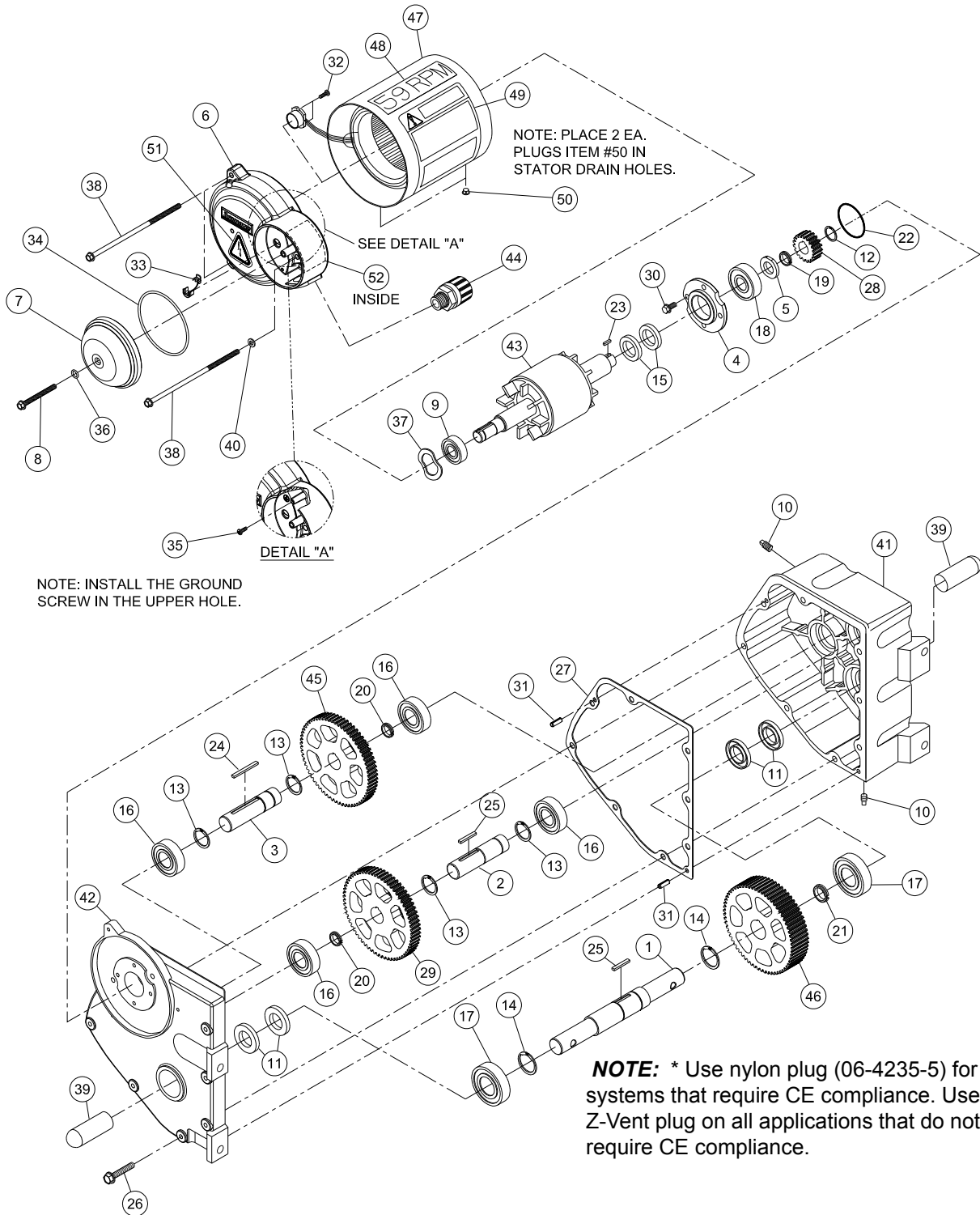
Ref.	Original Part No.	Substitute Part No.	Description
1	03-4084-4		Retainer, Seal, Center Drive
2	03-4182-6		Spacer, Center Drive
3	14-4914-0		Bracket, Motor, Lindsay, RD.Cap
4	14-4916-0		Cap, End Bracket, Clear-Coat
5	14-4920-0		Screw, 1/4-20 x 2, Taptite,SS
6	1601083		Label, Warning, Stator
7	03-4852-4		Rotor Assembly, 1-1/2HP, 86 RPM
8	06-3101-0		Seal, Grease, Chic Rawhide #9878
9	06-0987-5		Bearing, Ball, 620 3LLU , .669 I.D.
10	06-2103-7		Plug, Pipe, Sq. Head, 3/8"
11	06-3098-8		Ring, Ret., Inverted Ext., 3/4"
12	06-3104-4		Bearing, Ball, 6304LLU,787 I.D
13	06-3105-1		Ring, Load, 3/4" Shaft
14	06-3109-3		O-Ring, 2" I.D x 2-1/8" O.D
15	06-3112-7		Key, 1/8 x 3/16 x 5/8", Heat Treat.
16	06-3120-0		Screw, 5/16-18 x 1-3/4", Special
17	06-3128-3		Gasket, Center Drive Cover
18	06-3129-1		Gear, Spur, Center Drive 1st
19	06-3148-1		Screw, 1/4-20 x 5/8", Hex, Gr. 5
20	06-3195-2		Pin, Spring, .25" x .75", PLM
21	14-4919-0		Strain Relief Bushg. HEYCO#1184
22	06-3249-7		Screw, #8-32 x 5/8" Phillips Pan Hd

Ref.	Original Part No.	Substitute Part No.	Description
23	14-4917-0		O-Ring, 1/8" x 3-7/8", #239
24	06-3297-6		Screw, #10-32 x 7/16 PPH, Green
25	09-0816-0		Tie, Cable, Plastic, 5-1/2" Long
26	14-4918-0		O-Ring, 1/16" x 1/4" x 3/8", #010
27	06-3342-0		Washer,Wave,1-3/16ID x 1-9/16OD
28	06-3496-4		Screw, 1/4-20 x 10-15/16", HWH
29			
30			
31			
32	06-4055-7		Cap, Shaft, Vinyl, 15/16" I.D.
33	06-4523-4		Washer, 1/4", Nylon
34			
35			
36	14-5073-0		Stator, 1-1/2 HP, 3600 RPM, Clas F
37	10-0079-3		Rotor, 1-1/2 HP, 3600 RPM
38	11-4325-4		Connector, 1/2", w/o Nut and O-ring
39			
40			
41	06-4235-5* 14-2883-0*		Plug, Hole, Nylon, 1/4 x 0.062 thick Z-Vent, Plastic Vent, 1/4"
42	11-7354-1		Decal, Electric Shock, ISO/CE
43	14-8447-0		Decal, Motor Schematic



# Center Drives

## Motor Assembly, Lindsay C.D., 1 HP, 59 RPM, 12-5327-0





# Center Drives

## Motor Assembly, Lindsay C.D., 1 HP, 59 RPM, 12-5327-0 (cont'd.)

Ref.	Original Part No.	Substitute Part No.	Description
1	03-4081-0		Shaft, Output, Center Drive
2	03-4082-8		Shaft, 2nd, Center Drive
3	03-4083-6		Shaft Assembly, 3rd, Center Drive
4	03-4084-4		Retainer, Seal, Center Drive
5	03-4182-6		Spacer, Center Drive
6	14-4914-0		Bracket, Motor, Lindsay
7	14-4916-0		Cap, End Bracket, Clear-Coat
8	14-4920-0		Screw, 1/4-20x2, Taptite, SS
9	06-0987-5		Bearing, Ball, 6203LLU, .669 I.D.
10	06-2103-7		Plug, Pipe, Square Head, 3/8", Plated, w/Seal
11	06-2106-0		Seal, Grease, Chic, Rawhide, #9998
12	06-3098-8		Ring, Retainer, Inverted Ext., 3/4"
13	06-3099-6		Ring, Retainer, Inverted External, 1"
14	06-3100-2		Ring, Ret., Inverted Ext., 1-3/16"
15	06-3101-0		Seal, Grease, Chic, Rawhide, #9878
16	06-3102-8		Bearing, Ball, 6205, 984 I.D.
17	06-3103-6		Bearing, Ball, 6206, 1.181 I.D.
18	06-3104-4		Bearing, Ball, 6304LLU, 787 I.D.
19	06-3105-1		Ring, Load, 3/4" Shaft
20	06-3106-9		Ring, Load, 25 MM Shaft
21	06-3107-7		Ring, Load, 30 MM Shaft
22	06-3109-3		O-Ring, 2" I.D. x 2-1/8" O.D.
23	06-3112-7		Key, 1/8 x 3/16 x 5/8", Heat Treated
24	06-3114-3		Key, 1/8 x 3/16 x 1 15/16", Heat Treated
25	06-3115-0		Key, 1/8 x 3/16 x 1-1/4", Heat Treated
26	06-3120-0		Screw, 5/16-18 x 1-3/4", Special
27	06-3128-3		Gasket, Center Drive Cover
28	06-3129-1		Gear, Spur, Center Drive 1st
29	06-3130-9		Gear, Spur, Center Drive, 2nd
30	06-3148-1		Screw, 1/4-20 x 5/8", Hex, Gr. 5
31	06-3195-2		Pin, Spring, .25" x .75", PLM
32	06-3249-7		Screw, 8-32 x 5/8", Phillips Pan, Head, #23
33	14-4919-0		Strain Relief Bushing, HEYCO#1184
34	14-4917-0		O-Ring, 1/8" x 3-5/8" x 3-7/8", #239
35	06-3297-6		Screw, #10-32 x 7/16 PPH, Green
36	14-4918-0		O-Ring, 1/16" x 1/4" x 3/8", #010
37	06-3342-0		Washer, Wave, 1-3/16 I.D. x 1-9/16" O.D.
38	06-3961-7		Screw, 1/4-20 x 9-3/16", HWH
39	06-4055-7		Cap, Shaft, Vinyl, 15/16" I.D.
40	06-4523-4		Washer, 1/4", Nylon
41	10-4666-3		Housing, Center Drive (Machined)
42	10-4668-9		Cover, Center Drive (Machined)
43	14-1499-0		Rotor, 1 HP, 1800 RPM, 2008F
44	11-2835-4		Connector, 1/2" w/o Nut, 37-.5" Dia.
45	11-6089-4		Gear, Spur, Center Drive, 3rd
46	11-6090-2		Gear, Spur, Center Drive, 4th
47	14-1498-0		Stator, 1 HP, 1725 RPM, 2008F
48	11-6410-2		Decal, 59 RPM
49	14-3221-0		Nameplate, Lind08 CD, 1 HP, 59 RPM
50	06-4235-5* 14-2883-0*		Plug, Hole, Nylon, 1/4 x 0.062 thick Z-Vent. Plastic Vent, 1/4"
51	11-7354-1		Decal, Electric Shock, ISO/CE
52	14-8447-0		Decal, Motor Schematic

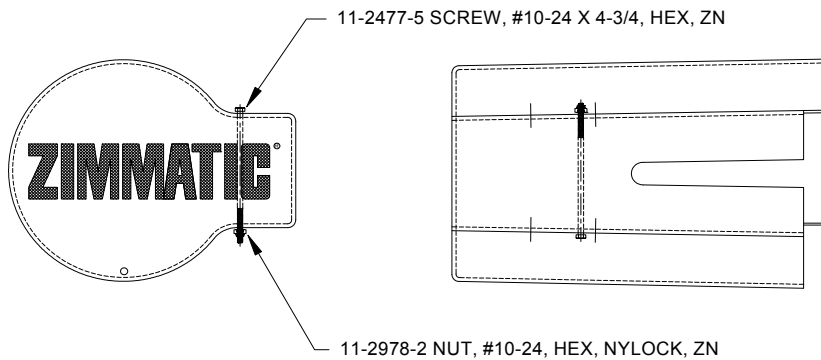


# Center Drives

## Lindsay Gear Oil Replacement

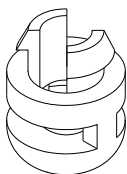
Ref.	Original Part No.	Substitute Part No.	Description
1	06-4765-1		Oil, Gear 80W90 GL-4, 5 Gal.
2	06-4766-9		Oil, Gear 80W90 GL-4, 55 Gal.
3	06-4767-7		Oil, Gear 20W GL-4, 5 Gal.
4	06-4768-5		Oil, Gear 20W GL-4, 55 Gal.
5	11-3131-7		Oil, Gear, 85W-140, GL-5, 2-1/2 Gal.
6	15-0100-0		Oil, Gear, 85W-140, GL-5, 5 Gal.
7	97-0650-8		Oil, Gear, 85W-140, GL-5, 55 Gal.

## Motor Cover



Ref.	Original Part No.	Substitute Part No.	Description
1	11-2553-3		Cover, Motor w/Hardware and Decal
2	11-2477-5		Screw, #10-24 x 4-3/4", Hex
3	11-2978-2		Nut, #10-24, Hex, Nylock, Zn

## Z-Vent, Plastic, 1/4"



**NOTE:** Must be ordered in multiples of 100.

Ref.	Original Part No.	Substitute Part No.	Description
1	14-2883-0		Z-Vent, Plastic, 1/4"

# Center Drives





## Table of Contents

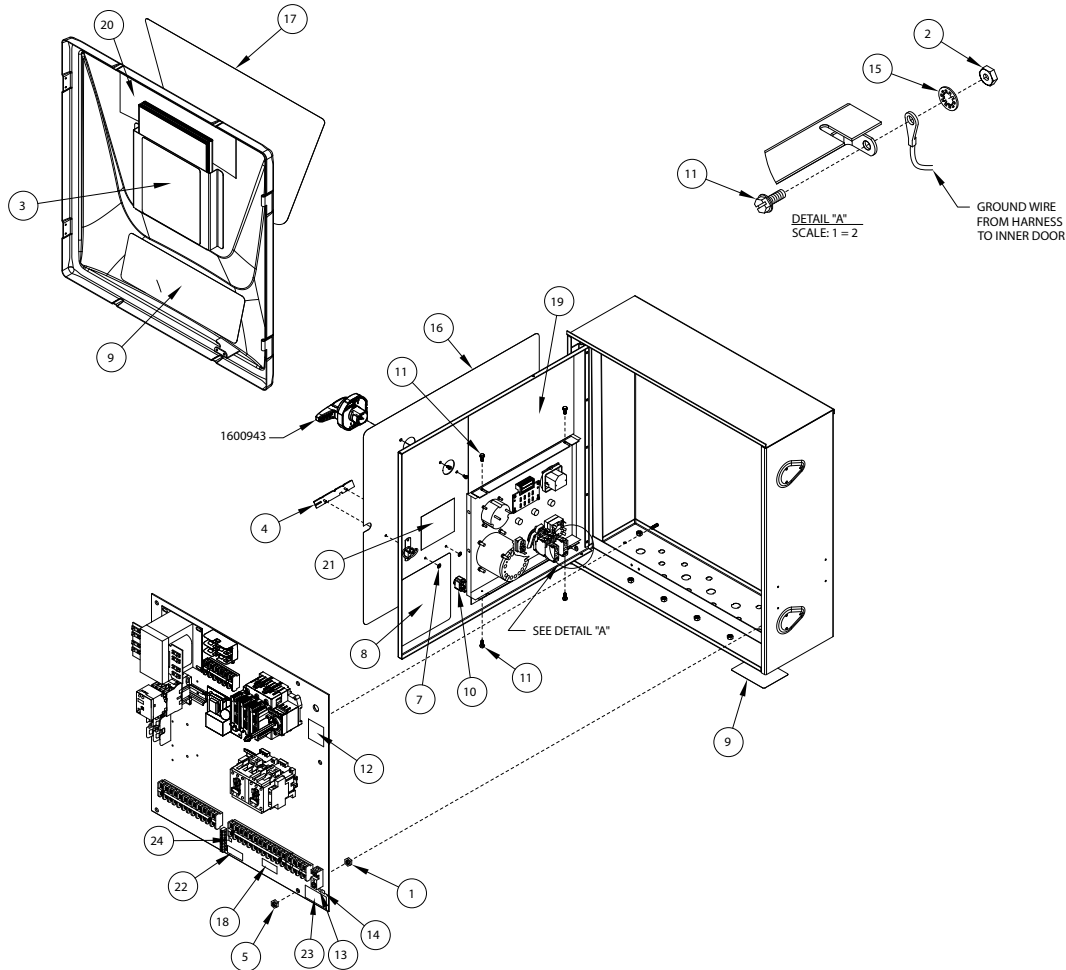
<b>Main Panels</b> .....	J-3
Panel, BASIC, 480V, 1600574 .....	J-3
Back Panel for 1600574 .....	J-5
Panel, VISION, 480V, 1600580 .....	J-7
Back Panel, VISION, 480V, 1600580 .....	J-8
Panel, VISION, Lateral, 480V, 1600501 .....	J-9
Back Panel, VISION, Lateral, 480V, 1600501 .....	J-10
Main Panel, BOSS, 480V, 1600611 .....	J-11
Back Panel, BOSS, 480V, 1600611 .....	J-12
Main Panel, BOSS, 380/400V, 1600777, 45 AMP .....	J-13
Back Panel, BOSS, 380/400V, 1600777 .....	J-14
Main Panel, BOSS, 480V, 1600800, 45 AMP .....	J-15
Back Panel, BOSS, 480V, 1600800 .....	J-16
Main Panel Enclosure Components, BOSS 1600777, 1600800, 1600611, VISION 1600580, BASIC 1600574, VISION Lateral 1600500 .	J-17
Main Panel Enclosure Components CE, BASIC 1600629, BOSS 1600661, VISION 1600631, VISION Lateral 1600501, VISION Chinese 1600740 .....	J-18
Conversion Kit, AIMS to BOSS, 1190740 Conversion Kit, AIMS to BOSS, Remanufactured, 1343490 .....	J-19
Timer Assemblies .....	J-20
Terminal Lugs .....	J-20
Toggle Switches, Main Panel .....	J-21
Kit, Green, LED's, Update, 1216910 (BASIC) .....	J-22
LCD Screen, BOSS, 1168293 .....	J-22
Board, BOSS, Com, 232, 485, Encoder, 1386530 .....	J-23
Eproms, BOSS .....	J-23
BOSS Transducer .....	J-24
Pressure Transducer Analyzer Kit, 1170265 .....	J-25
Service Conductor Terminal Block Kit, 0349100 .....	J-26
Low Temperature Shutdown .....	J-26
Main Panel Fuses .....	J-26
Forward Guidance Panel, LM, 0352930, Reverse Guidance Panel, LM, 0353797 .....	J-27
Panel, Control, Lateral Move, Buried Guidance, 1101112 .....	J-29
Back Panel for 1101112 .....	J-30

Switch Panel, Lateral Cart, 1601338.....	J-31
Panel, E.P. Ground Fault Interrupter, 03-4638-7.....	J-32
Mount, Plate, 1126887.....	J-32
Panel, BASIC, 380V, CE, 1600629.....	J-33
Back Panel for BASIC, 380V, CE, 1600629.....	J-35
Panel, VISION, 380V, CE, 1600631.....	J-37
Back Panel for VISION, 380V, CE, 1600631.....	J-39
Panel, VISION, Lateral, 380V, CE, 1600500.....	J-41
Back Panel for VISION, Lateral, 380V, CE, 1600500.....	J-42
Panel, BOSS, 380V, CE, 1600661.....	J-44
Back Panel Assembly for 1600661, CE.....	J-46
Panel, Air Compressor 1430710.....	J-48
Panel, Air Compressor 1430710, continued.....	J-49
GPS Guidance Processor Panel Position.....	J-50
.....	J-50



# J Main Panels

## Panel, BASIC, 480V, 1600574



Ref.	Original Part No.	Substitute Part No.	Description
1	0608224		Nut, 5/16-18, Hex, A563
2	0608489		Nut, #10-32, Hex
3	0634535		Decal, "Caution", Main Panel
4	1600065		Badge, BASIC Panel
5	0642678		Nut, 1/4-20, Lock, Nylon Insert
6	0912485		Decal, "Machine Ground"
7	1600499		Ring, Retainer, Push-On, 1/8"
8	0972638		Decal, "Warning", Main Panel
9	1600895		Decal, "Danger"- "Caution", Tow
10	0992305		Switch, Toggle, SPDT, On-On
11	1028992		Screw, #10-24 x 1/2, Hex
12	1152842		Decal, Emp. ID, Assy/Wiring

Ref.	Original Part No.	Substitute Part No.	Description
13	1601326		Decal, Green/Yellow, "PE"
14	1173574		Decal, P.E., Ground Symbol
15	1180157		Washer, #10, Lock
16	1600042		Decal, Zimm. BOSS/BASIC, Inner
17	1600075		Decal, Door, Zimmatic by Lindsay
18	1190470		Decal, Terminal Torque
19	1191050		Decal, Schematic, BASIC
20	1191520		Decal, Troubleshooting, BASIC
21	1191800		Decal, Comp. ID, BASIC
22	1375550		Decal, Term. Torque, Groundbar
23	1399740		Decal, Term Trq., Gndbar Lug
24	1286470		Decal, Ground Symbol

## Main Panels

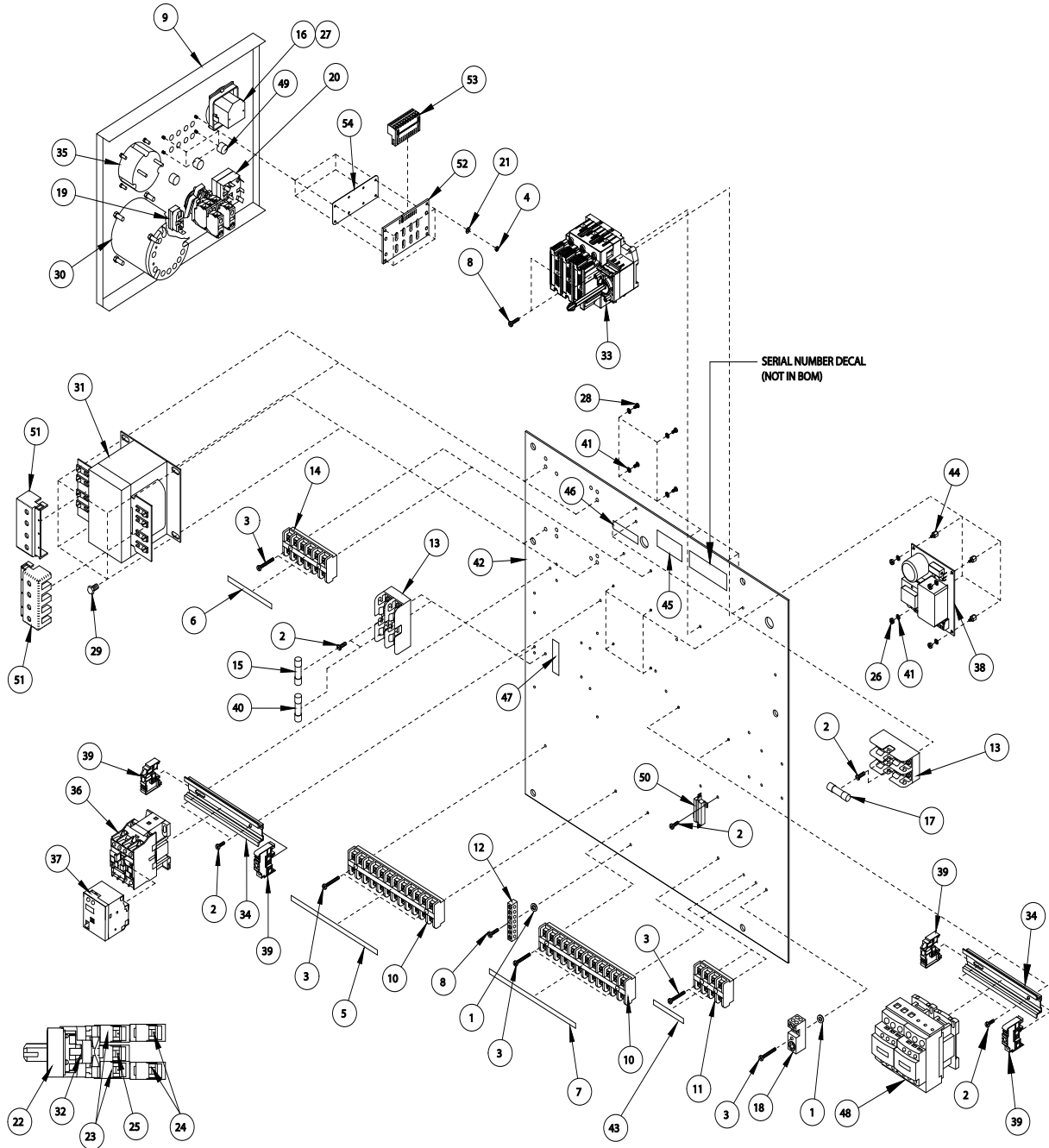


This page is left blank intentionally



# Main Panels

## Back Panel for 1600574





# Main Panels

## Back Panel for 1600574

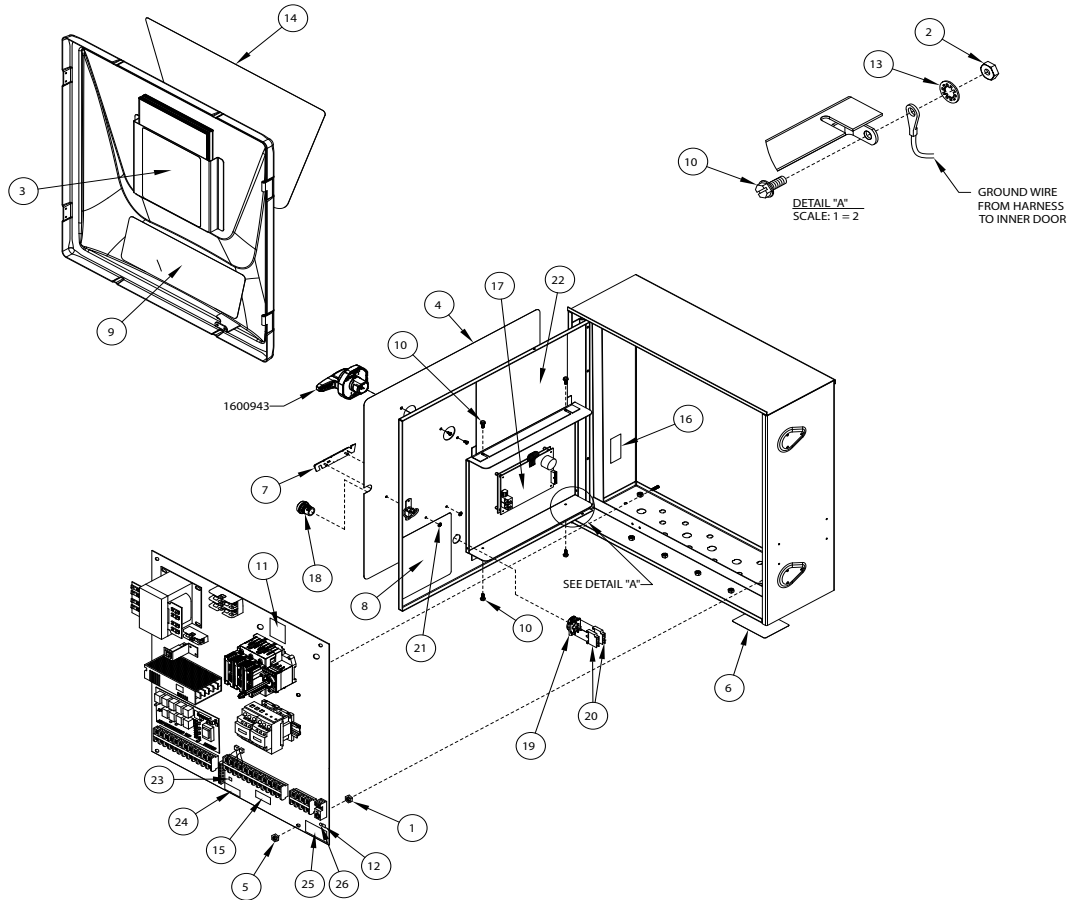
Ref.	Original Part No.	Substitute Part No.	Description
1	0608448		Washer, Lock, 1/4", I-Tooth
2	0608471		Screw, #8-32 x 3/8", Ph. Pn Hd,#23
3	0608505		Screw, #8-32 x 1", Ph. Pan Hd, #23
4	0622001		Nut, #6-32, Hex
5	0643478		Decal, Term. Marker, T Block 3, 10
6	0643510		Decal, Term. Marker, Term Block 2
7	0643528		Decal, Term. Marker, Term Block 1
8	0645531		Screw, #8-32 x 3/4", Ph. Pn Hd,#23
9	1600507		Panel, Insert, BASIC, LED
10	0976027		Block, Term., 12 Pt, CR151B26AF
11	0976043		Block, Term., 4 Pt. CR151BA46AF
12	0976316	1610341	Bar, Ground Terminal, 6-#14, 6-#8
13	0988709		Fuseholder, 600V, 30A, 2 Pole
14	0990598		Block, Term., 6 Pt., #CR151B66AF
15	0990648		Fuse, 5 AMP, 500V, D.E.T.D.
16	0991323		Timer, Hour Meter, Pnl Mt w/o Bez
17	0991414		Fuse, 3.2 AMP, 500V, D.E.T.D.
18	0992081		Terminal, Lug, 2#2/0, 4#4-14, #10
19	0992321		Switch, Toggle, SPST
20	0992867		Switch, Toggle, 3 PDT, On-On
21	1050715		Washer, Lock, #6, I-Tooth
22	1400200		Switch, Operator, 3 Pos, Spr. Ret.
23	1400210		Switch, Block, N.O., #101
24	1400230		Switch,Block,NO,Early Make,#201
25	1400240		Switch,Block, NC,Late Break,#202
26	1096726		Nut, #4-40, Hex
27	1099936		Bezel, Hour Meter
28	1130624		Screw, 1/4-20 x 3/8", Hex, Typ.#23
29	1147545		Timer, Percent, 60 Sec., Sol. State
30	1107077		Screw, #4-40 x 1/4", Sl. Pan Head

Ref.	Original Part No.	Substitute Part No.	Description
31	1150143		Transformer, 480V, .5 KVA
32	1400260		Switch, Operator, Base
33	1600943		Disconnect, IEC Fused, 194R-D
34	1160449		Rail Din, 5.875"
35	1173798		Meter, 600V, CE
36	1173913		Relay, 2nd, 2NC (Latch)
37	1173921		Latch, Relay, 120V
38	1174655		Board, PC, 2 Sec. Delay
39	1174671		Rail, Din, End
40	1174879		Fuse, 1.25 AMP, 500V, D.E.T.D.
41	1177542		Washer, Lock, #4, I-Tooth
42	1178052		Panel, Back, 2001
43	1178334		Decal, Terminal Marker
44	1178623		Spacer, Male/Fem., .25 Hex, 4-40
45	1179605		Decal, ETL
46	1183302		Decal, Fuse Size (2) -3.2 Amp
47	1183311		Decal, Fuse Size, 1.25 -5 Amp
48	1189210	1608449	Contacto, 3Ph,Rev,20HP @ 480V
49	1198600		Plug, Hole, Nylon, 7/16"
50	1211590		Resistor Assy, 2K, 25W
51	1150168		Cover, Transfrm Term, 9070FSC2
52	1343260		Board, PC, BASIC, LED
53	1343470		Connector, Plug, 10 Position, Edge
54	1345020		Gasket, LED Board



# Main Panels

## Panel, VISION, 480V, 1600580



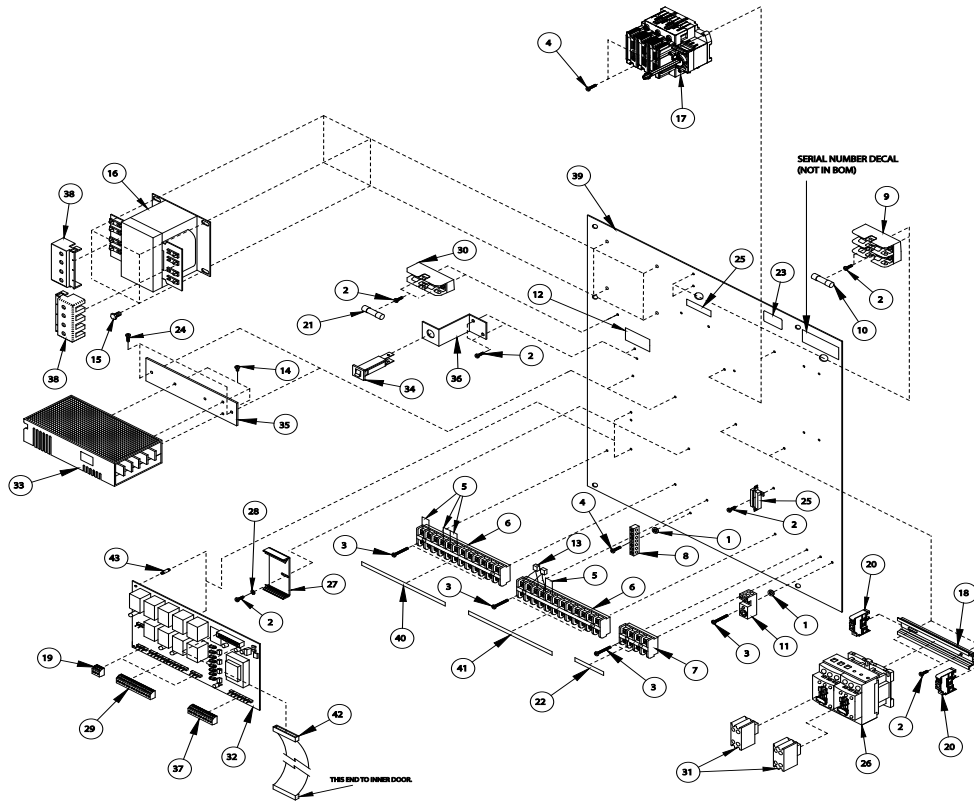
Ref.	Original Part No.	Substitute Part No.	Description
1	0608224		Nut, 5/16", Hex
2	0608489		Nut, #10-32, Hex
3	0634535		Decal, "Caution", Main Panel
4	1600041		Decal, Zimmatic, VISION, Inner
5	0642678		Nut, 1/4-20, Lock, Nylon Insert
6	0912485		Decal, "Machine Ground"
7	1600066		Badge, VISION Panel
8	0972638		Decal, "Warning"
9	1600895		Decal, "Danger-Caution", Tow
10	1028992		Screw, #10-24 x 1/2, Hex
11	1152842		Decal, EMP. ID, Assy/Wiring
12	1173574		Decal, P.E., Ground Symbol
13	1180157		Washer, #10, Lock, Internal Tooth
14	1600075		Decal, Door, Zimmatic By Lindsay
15	1190470		Decal, Terminal Torque
16	1221810		Clamp, Ribbon, Cable, 2" Wide
17	1600090		Module, Assy, VISION Panels
18	1335360		Switch, Push, Moment, BLK

Ref.	Original Part No.	Substitute Part No.	Description
19	1335370		Switch, Contact Latch, AB
20	1335400		Switch, N.O., Contact Block
21	1600499		Ring, Retainer, Push-On, 1/8"
22	1337900		Decal, Schematic, VISION
23	1286470		Decal, Ground Symbol
24	1375550		Decal, Term. Trq., Groundbar
25	1399740		Decal, Term. Trq., GEC, Gnd. Lug
26	1601326		Decal, Green/Yellow, "PE"



# Main Panels

## Back Panel, VISION, 480V, 1600580



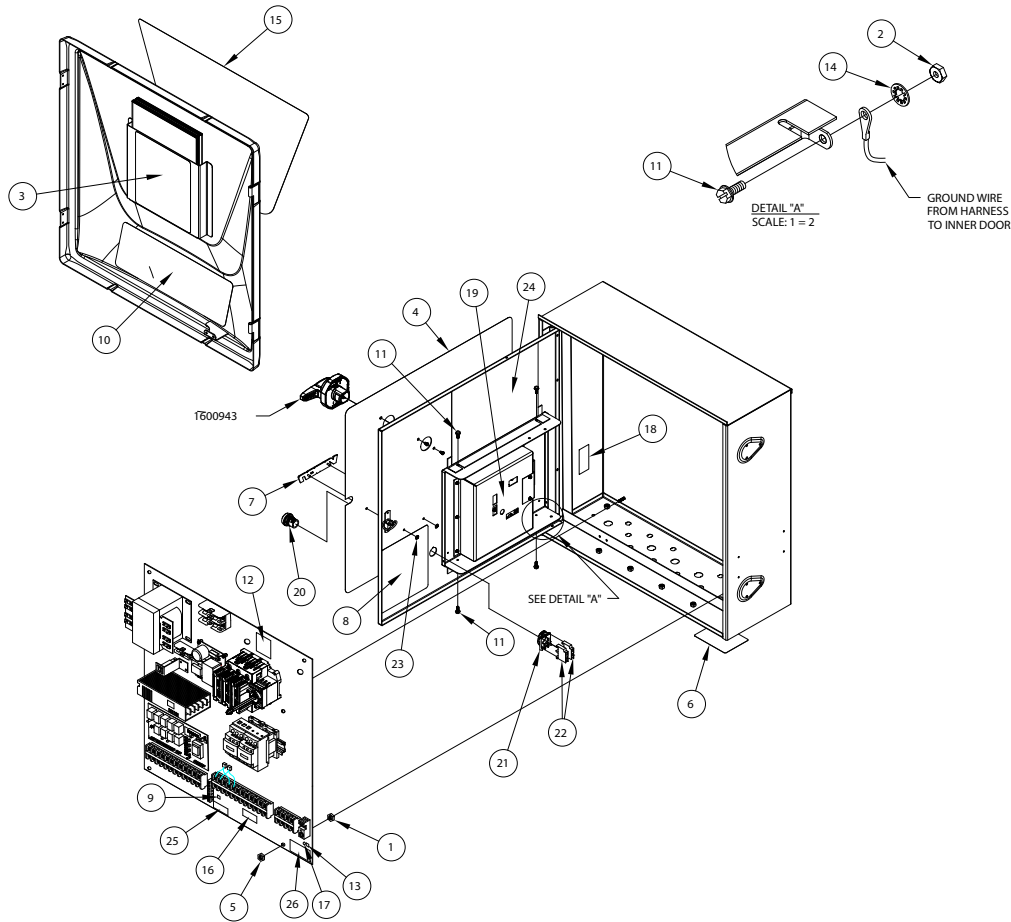
Ref.	Original Part No.	Substitute Part No.	Description
1	06-0844-8		Washer, Lock, 1/4", I-Tooth
2	0608471		Screw, #8-32 x 3/8", Ph. Pn. Hd., #23
3	0608505		Screw, #8-32 x 1", Ph. Pn. Hd., #23
4	0645531		Screw, #8-32 x 3/4", Ph. Pn. Hd., #23
5	1340070		Term. Block, ACC, Jumper, CR151
6	0976027		Block, Term., 12 Pt, CR151B26AF
7	0976043		Block, Term., 4 Pt. CR151BA46AF
8	0976316	1610341	Bar, Ground Terminal, 6-#14, 6-#8
9	0988709		Fuseholder, 600V, 30A, 2 Pole
10	0991414		Fuse, 3.2 AMP, 500V, D.E.T.D.
11	0992081		Terminal, Lug, 2#2/0, 4#4-14, #10
12	13404460		Decal, Fuse Size, 1.25-5 Amp
13	0993410		Suppressor, ARC, 200, VDC, Mod.2
14	1107077		Screw, #4-40-1/4", Sl. Pn. Hd.
15	1130624		Screw, 1/4-20 x 3/8" Hex, Type 23
16	1150143		Transformer, 480V, .5 KVA
17	1600943		Disconnect, IEC Fused, 194R-D
18	1160449		Rail Din, 5.875"
19	1173772		Connector, Plug, 5MM, 3 Pos.
20	1174671		Rail, Din, End
21	1174879		Fuse, 1.25 AMP, 500V, D.E.T.D.
22	1178334		Decal, Terminal Marker
23	1179605		Decal, ETL

Ref.	Original Part No.	Substitute Part No.	Description
24	1183348		Screw, #8-32 x 1/2", Ph. Pn. Hd.#23
25	1183302		Decal, Fuse, Size (2)-3.2 AMP
26	1189210	1608449	Contactor, 3P Rev, 20HP @ 480V
27	1341030		Snaptrack, 4" x 2"
28	0639682		Washer, Flat, #8
29	1240120		Connector, Plug, 5mm, 12 Pos.
30	1263960		Fuseholder, 600V, 30A, 1 Pole
31	1321040		Contact, Aux, Sq. D, LADN11
32	1335240		Board, PC, Relay, VISION
33	1335280		Power Supply, 12V, 50W, SWS
34	1335310		Breaker, Therm Circuit, 5A
35	1336350		Bracket, SWS PS Mounting
36	1336370		Bracket, Circuit Break Mount
37	1337070		Connector, Plug, 5MM, 7 Position
38	1150168		Cover, Trnsfrmer Term., 9070FSC2
39	1337730		Panel, Back, VISION
40	1338370		Decal, Term. Marker, VISION-1
41	1338380		Decal, Term. Marker, VISION-2
42	1338600		Cable, Ribbon, 29", 26 Cond.
43	1433000		Spacer, Plastic, Lock, .375x.125



# Main Panels

## Panel, VISION, Lateral, 480V, 1600501



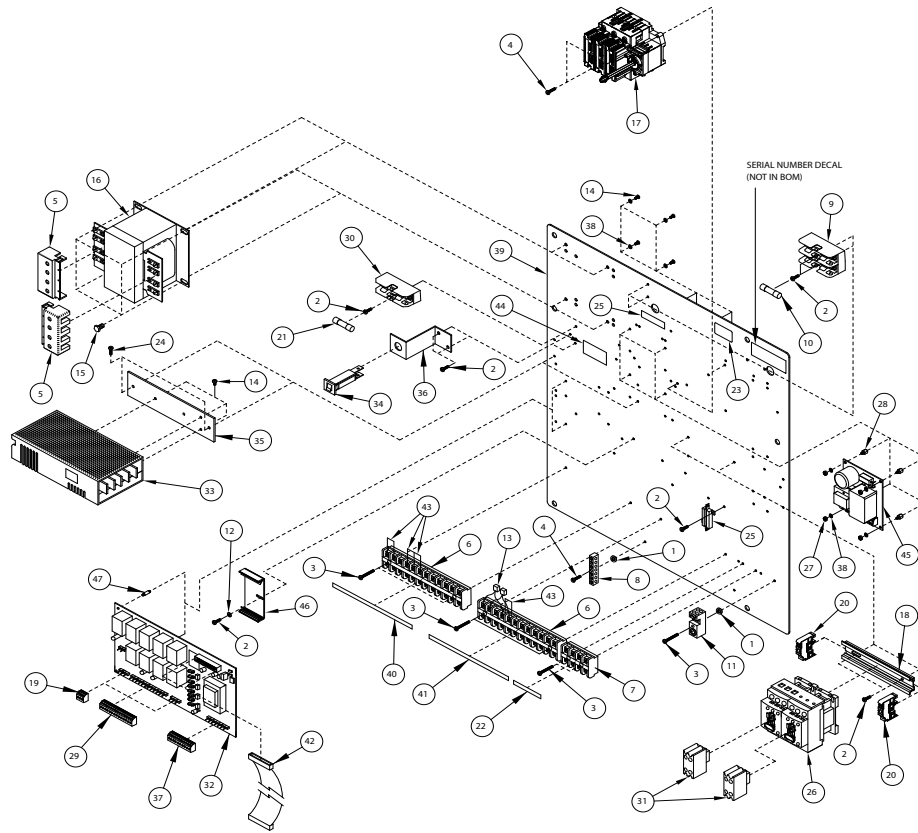
Ref.	Original Part No.	Substitute Part No.	Description
1	0608224		Nut, 5/16-18, Hex, A563
2	0608489		Nut, #10-32, Hex
3	0634535		Decal, "Caution", Main Panel
4	1600041		Decal, Zimmatic, VISION, Inner
5	0642678		Nut, 1/4-20, Lock, Nylon Insert
6	0912485		Decal, "Danger", Machine Ground
7	1600066		Badge, VISION Panel
8	0972638		Decal, "Warning"
9	1286470		Decal, ground Symbol
10	1600895		Decal, "Danger, "Caution", Tow
11	1028992		Screw, #10-24 x 1/2, Hex
12	1152842		Decal, Emp ID, Assy/ Wiring
13	1173574		Decal, P.E., Ground Symbol

Ref.	Original Part No.	Substitute Part No.	Description
14	1180157		Washer, Lock, #10, Internal Tooth
15	1600075		Decal, Door, Zimmatic by Lindsay
16	1190470		Decal, Terminal Torque
17	1601326		Decal, Green/Yellow, "PE"
18	1221810		Clamp, Ribbon Cable, 2" Wide
19	1600487		Module, Assy, VISION, Lateral
20	1335360		Switch, Push, Moment, AB
21	1335370		Switch, Contact Latch, AB
22	1335400		Switch, N.O., Contact Block, AB
23	1600499		Ring, Retainer, Push-On, 1/8"
24	1600633		Decal, Schematic, VISION, Lateral
25	1375550		Decal, Terminal Torque, Groundbar
26	1399740		Decal, Term. Torque, Ground Lug



# Main Panels

## Back Panel, VISION, Lateral, 480V, 1600501



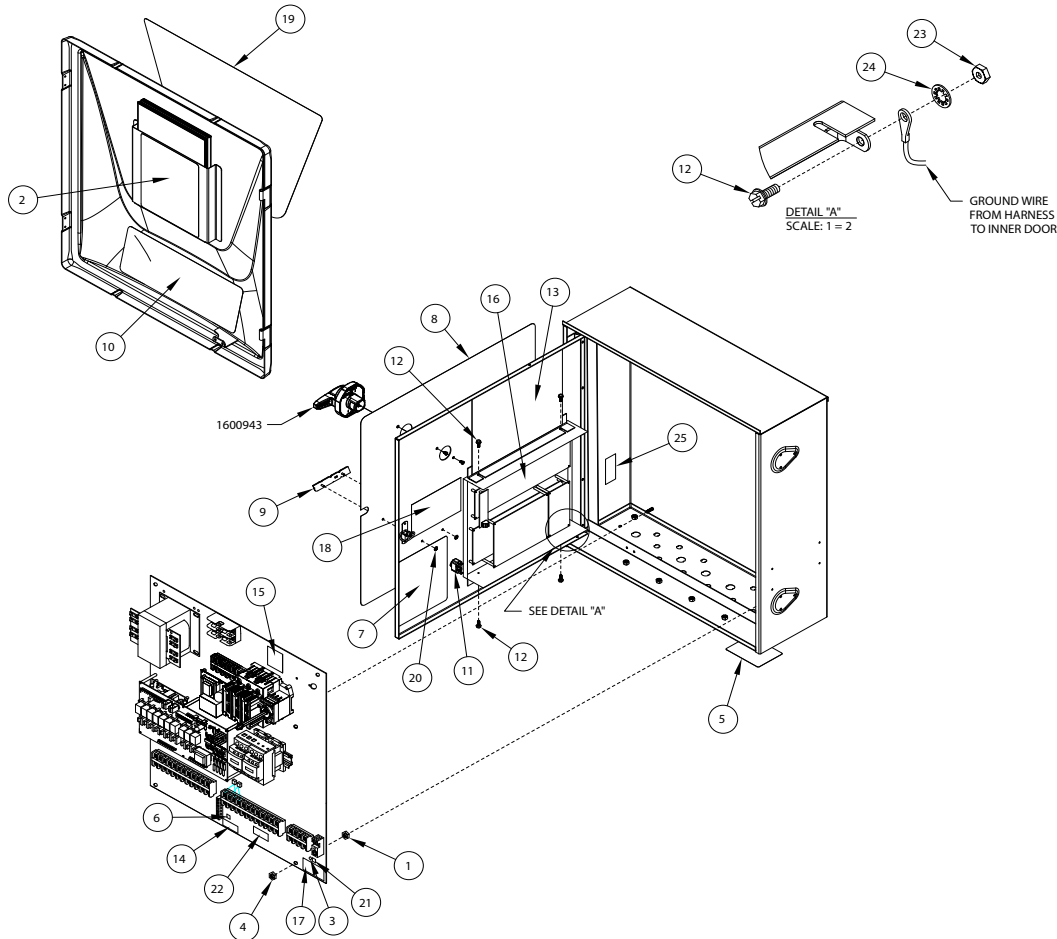
Ref.	Original Part No.	Substitute Part No.	Description
1	0608448		Washer, 1/4", Lock
2	0608471		Screw, #8-32 x 3/8", Pan Hd. Phil.
3	0608505		Screw, #8-32 x 1", Pan Hd. Phil.
4	0645531		Screw, #8-3 x 3/4", Pan Hd. Phil.
5	1150168		Cover, Transfrmr Term, 9070FSC2
6	0976027		Block, Term. 12 Pt., CR151B2
7	0976043		Block, Term. 4 Pt., CR151846AF
8	0976316	1610341	Bar, Ground, Term. 6-#14, 6-#8
9	0988709		Fuseholder, 600V, 30A, 2 Pole
10	0991414		Fuse, 3.2 Amp, 500V, DETD
11	0992081		Term. Lug, 2/0-14, 4-#4-14
12	0639682		Washer, Flat, #8
13	0993410		Suppressor, Arc, 200 VDC
14	1107077		Screw, #4-40x 1/4", Pan Hd., Slot
15	1130624		Screw, 1/4-20 x 3/8", Hex
16	1150143		Transformer, 480V, 5KVA, CE
17	1600943		Disconnect, FUsed, 194R-D
18	1160449		Rail, Din, 5.875"
19	1173772		Connector, Plug, 5mm, 3 Pos.
20	1174671		Rail, Din, End Stop
21	1174879		Fuse, 1.25 Amp, 500V, DETD
22	1178334		Decal, Term. Marker, 480 AIMS
23	1179605		Decal, ETL
24	1183348		Screw, #8-32 x 1/2, Pan Hd. Phil.

Ref.	Original Part No.	Substitute Part No.	Description
25	1183302		Decal, Fuse Size (2), 3.2 Amp
26	1189210	1608449	Contact, 3Ph, Rev, 20HP @ 480V
27	1096726		Nut, #4-40, Hex
28	1178623		Spacer, Male/Female, Hex, #4-40
29	1240120		Connector, Plug, 5mm, 12 Pos.
30	1263960		Fuseholder, 600V, 30A, 1 Pole
31	1321040		Contact, Aux., LADN 11
32	1335240		Board, PC, Relay, VISION
33	1335280		Power SUPPLY, 12V, 50W, SWS
34	1335310		Breaker, Therm. Circuit, 5A
35	1336350		Bracket, SWS PS Mounting
36	1336370		Bracket, Circuit Break Mount
37	1337070		Connector, Plug, 5mm, 7 Pos.
38	1177542		Washer, #4, Lock
39	1337730		Panel, Back, VISION
40	1338370		Decal, Term., Mark, VISION 1
41	1338380		Decal, Term., Mark, VISION 2
42	1338600		Cable, Ribbon, 29", 26 Conductor
43	1340070		Term., Block, ACC, Jumper, CR151
44	1340460		Decal, Fuse Size 1.25-5 Amp CB
45	1174655		Board, PC, 2 Second Delay
46	1341030		Snaptrack, 4" x 2"
47	1433000		Spacer, Plastic, Lock, .375 x .125



# Main Panels

## Main Panel, BOSS, 480V, 1600611

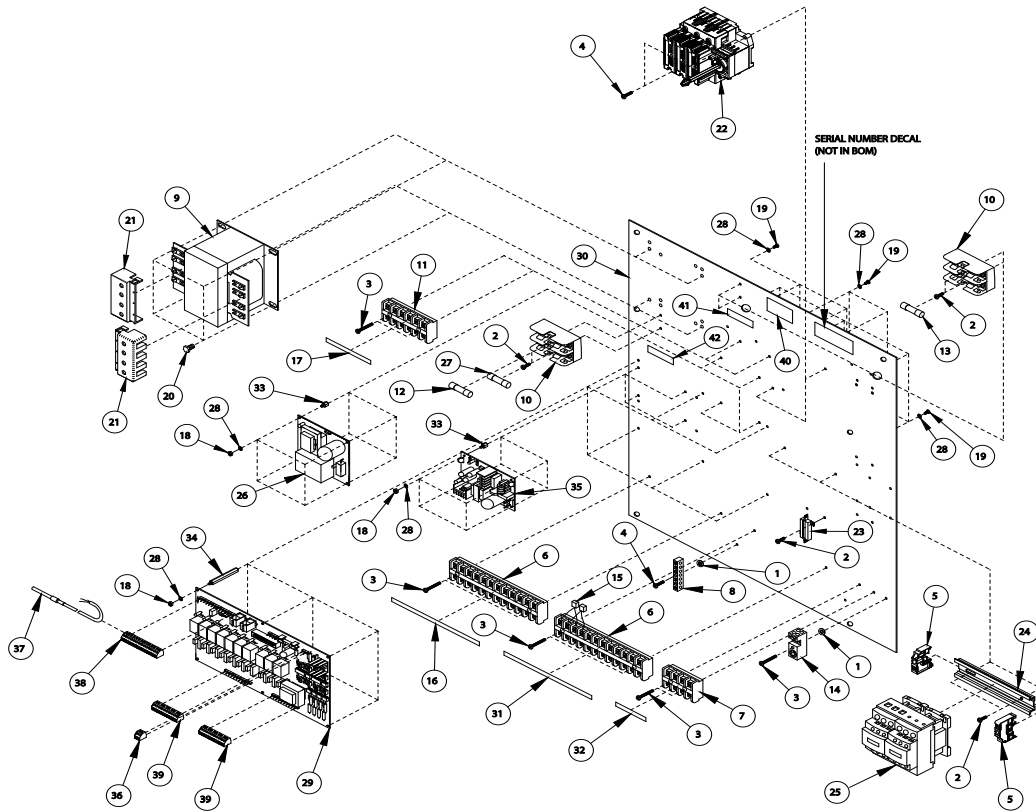


Ref.	Original Part No.	Substitute Part No.	Description
1	0608224		Nut, 5/16-18, Hex
2	0634535		Decal, "Caution" Main Panel
3	1601326		Decal, Green/Yellow, "PE"
4	0642678		Nut, 1/4-20, Lock, Nylon Insert
5	0912485		Decal, "Machine Ground"
6	1286470		Decal, Ground Symbol
7	0972638		Decal, "Warning"
8	1600042		Decal, Zimm., BOSS/BASIC, Inner
9	1600067		Badge, BOSS Panel
10	1600895		Decal, "Danger" Tow, "Caution" RST
11	0992305		Switch, Toggle, SPDT, On-On
12	1028992		Screw, #10-24 x 1/2, Hex
13	1449350		Decal, Schematic, BOSS
14	1375550		Decal, Terminal Torque, Gndbar
15	1152842		Decal, EMP ID, Assy/Wiring
16	1600089		Module, Assy, BOSS Panel

Ref.	Original Part No.	Substitute Part No.	Description
17	1399740		Decal, Term. Torq., GEC, Gnd Lug
18	1181098		Diagram, Block, BOSS
19	1600075		Decal, Door, Zimmatic By Lindsay
20	1600499		Ring, Retainer, Push-On, 1/8"
21	1173574		Decal, P.E., Ground Symbol
22	1190470		Decal, Terminal Torque
23	0608489		Nut, #10-32, Hex
24	1180157		Washer, Lock, #10, Internal Tooth
25	1221810		Clamp, Ribbon Cable, 2" Wide

# Main Panels

## Back Panel, BOSS, 480V, 1600611



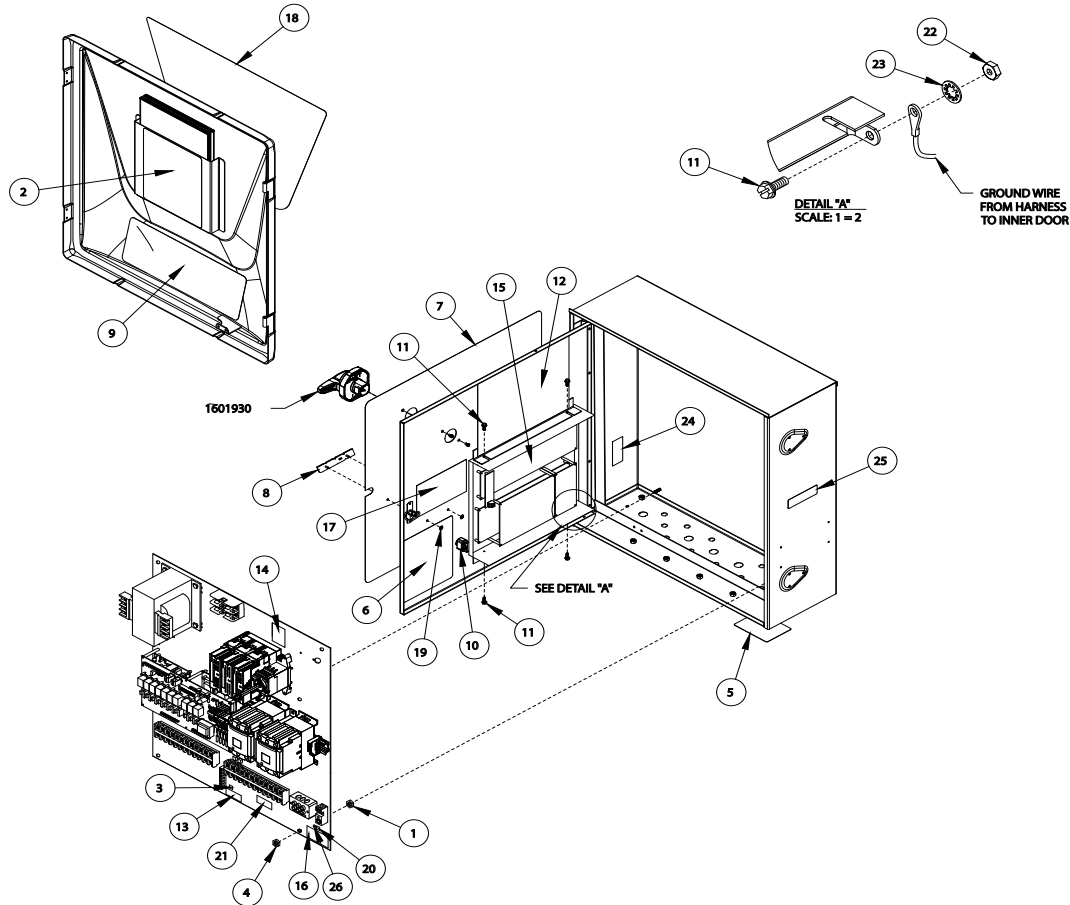
Ref.	Original Part No.	Substitute Part No.	Description
1	0608448		Washer, Lock, 1/4", I-Tooth
2	0608471		Screw, #8-32 x 3/8", Ph. Pn Hd,#23
3	0608505		Screw, #8-32 x 1", Ph. Pan Hd, #23
4	0645531		Screw, #8-32 x 3/4", Ph. Pn Hd,#23
5	1174671		Resistor, Assy, 2K, 25W, BOSS
6	0976027		Block Terminal, 12Pt.
7	0976043		Block Term., 4 Pt. #CR151846AF
8	0976316	1610341	Bar, Ground, Terminal, 6-#14, 6-#8
9	1150143		Transformer, 480V, 5KVA, CE
10	0988709		Fuseholder, 600V, 30A, 2 Pole
11	0990598		Block, Terminal, 6 Pt. #CR151B66
12	0990648		Fuse, 5 AMP, 500 Volt, DETD
13	0991414		Fuse, 3.2 AMP, 500 Volt, DETD
14	0992081		Terminal, Lug, 2#2/0, 4#4-14, #10
15	0993410		Suppressor, ARC, 200 VDC, Mod. 2
16	1092246		Decal, Term., Marker, Aux.
17	1093194		Decal, Term. Marker, 12V
18	1096726		Nut, #4-10, Hex
19	1107077		Screw, #4-40 x 1/4", Sl. Pan Head
20	1130624		Screw, 1/4-20 x 3/8", Hex, Typ.#23
21	1150168		Cover, Trnsfrmr Term., 9070FSC2

Ref.	Original Part No.	Substitute Part No.	Description
22	1600943		Disconnect, IEC, Fused, 194R-D
23	1215120		Resistor, Assy, 2K, 25W, BOSS
24	1160449		Rail, Din, 5.875"
25	1189210	1608449	Contactora, 3Ph,REV,20HP @ 480V
26	1174655		Board, PC, 2 Second Delay
27	1174879		Fuse, 1.25 AMP, 500V, DETD
28	1177542		Washer, Lock, #4, I-Tooth
29	1177765		Board, PC, Relay, BOSS
30	1178052		Panel, Back
31	1178326		Decal, Term. Marker, BOSS
32	1178334		Decal, Terminal, Marker, 480
33	1178623		Spacer, Male/Female, 25 Hex 4-40
34	1178631		Spacer, Male/Female, 2" Hex 4-40
35	1178979		Power Supply, BOSS Assy
36	1177229		Connector, Plug, 5mm, 2 Pos.
37	1105253		Sensor, Temperature Monitor
38	1109545		Connector, Plug, AIMS, Micro
39	1182765		Connector, Plug, 5mm, 10 Pos.
40	1179605		Decal, ETL
41	1183302		Decal, Fuse Size (2) -3.2 Amp
42	1183311		DEcal, Fuse Size 1.25-5 Amp.



# Main Panels

## Main Panel, BOSS, 380/400V, 1600777, 45 AMP

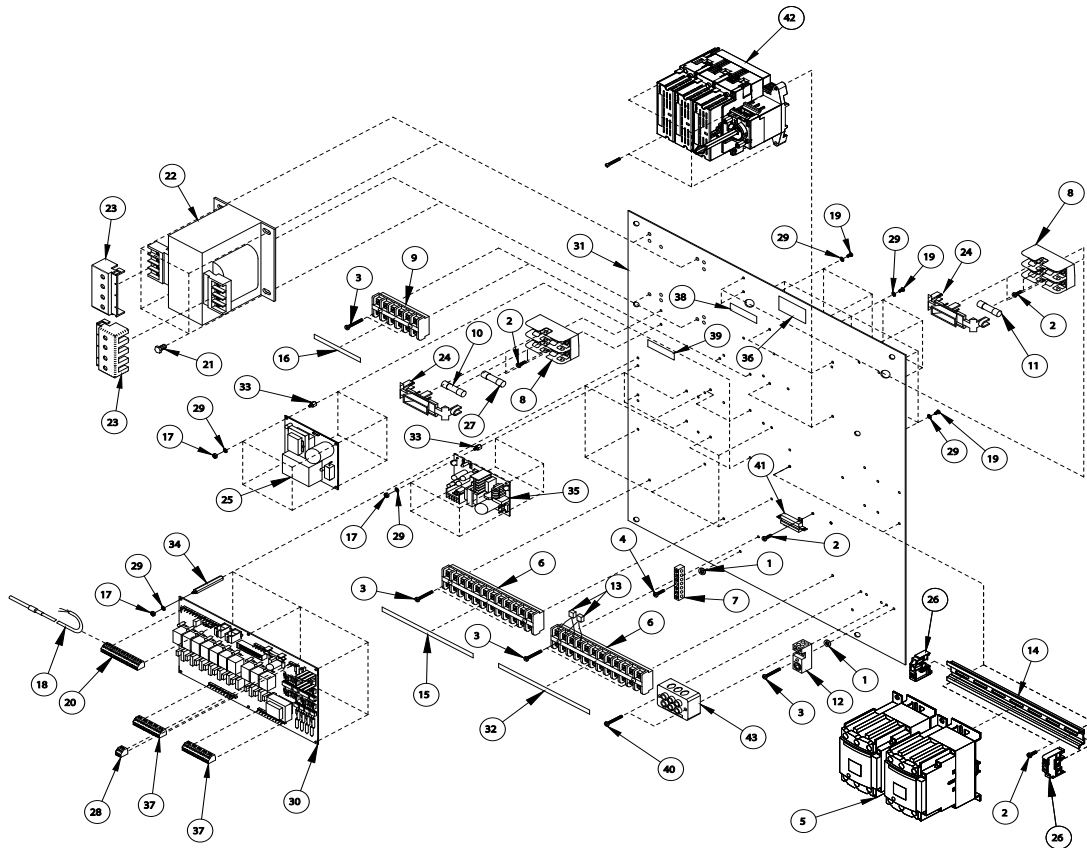


Ref.	Original Part No.	Substitute Part No.	Description
1	0608224		Nut, 5/16-18, Hex
2	0634535		Decal, "Caution" Main Panel
3	1286470		Decal, Ground Symbol
4	0642678		Nut, 1/4-20, Lock, Nylon Insert
5	0912485		Decal, "Machine Ground"
6	0972638		Decal, "Warning"
7	1600042		Decal, Zimmatic, BOSS/BASIC
8	1600067		Badge, BOSS Panel
9	1600895		Decal, "Danger" Tow, "Caution" RST
10	0992305		Switch, Toggle, SPDT, ON ON
11	1028992		Screw, #10-24 x 1/2", Hex, S.T.
12	1453740		Decal, Schematic, BOSS, 380V
13	1375550		Decal, Terminal Torque, Gndbar
14	1152842		Decal, EMP ID, Assy/Wiring

Ref.	Original Part No.	Substitute Part No.	Description
15	1600089		Module Assy, BOSS
16	1399740		Decal, Term. Trq., GEC, Gnd Lug
17	1181098		Decal, Block, BOSS
18	1600075		Decal, Door, Zimmatic By Lindsay
19	1600499		Ring, Retainer, Push-On, 1/8"
20	1173574		Decal, P.E., Ground Symbol
21	1190470		Decal, Terminal Torque
22	0608489		Nut, #10-32, Hex
23	1180157		Washer, Lock, #10, Internal Tooth
24	1221810		Clamp, Ribbon Cable, 2" Wide
25	1174754		Decal, Label, Manufacture, CE
26	1601326		Decal, Green/Yellow, "PE"

# Main Panels

## Back Panel, BOSS, 380/400V, 1600777



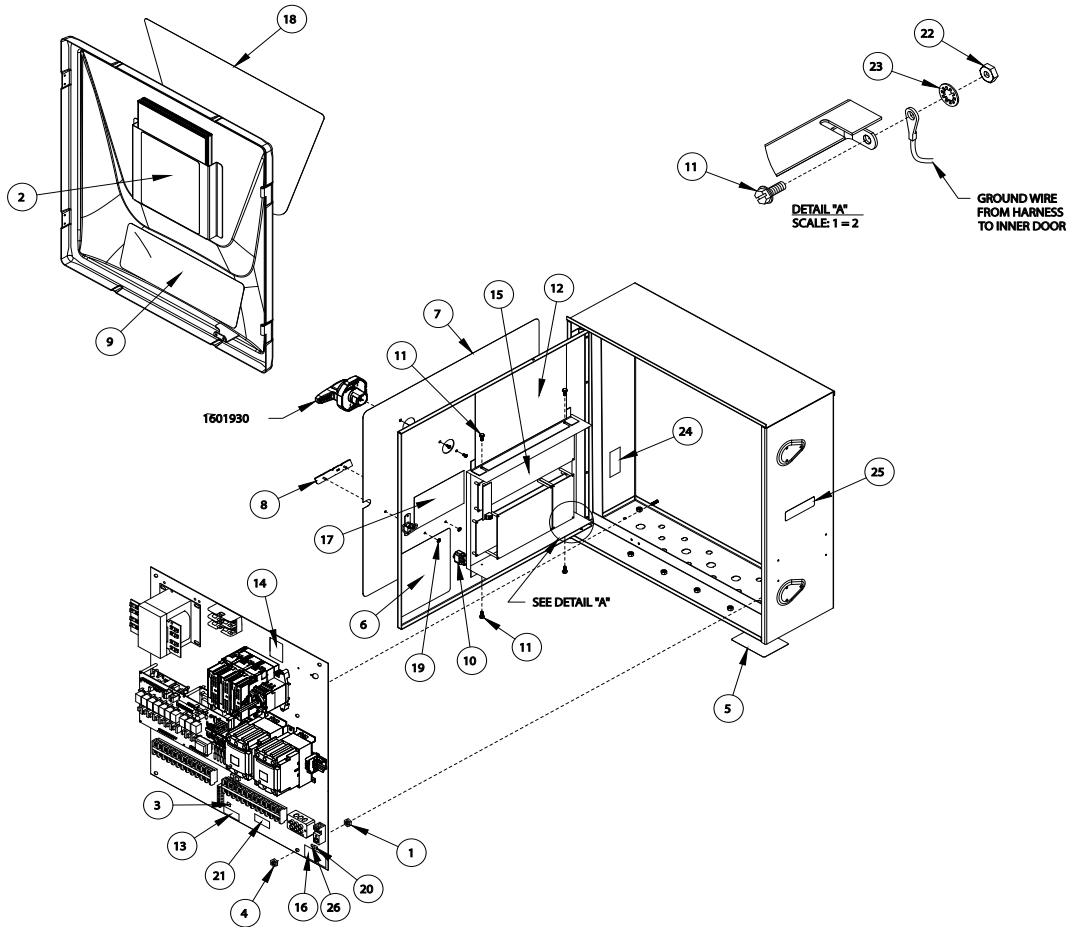
Ref.	Original Part No.	Substitute Part No.	Description
1	0608448		Washer, Lock, 1/4", I-Tooth
2	0608471		Screw, #8-32 x 3/8", Ph. Pn Hd.#23
3	0608505		Screw, #8-32 x 1", Ph. Pan Hd, #23
4	0645531		Screw, #8-32 x 3/4", Ph. Pn Hd,#23
5	1424650		Contactora, 3Ph., Rev, 50A, Aux.
6	0976027		Block Terminal, 12Pt.
7	0976316	1610341	Bar, Ground, Terminal, 6-#14, 6-#8
8	0988709		Fuseholder, 600V, 30A, 2 Pole
9	0990598		Block, Terminal, 6 Pt. #CR151B66
10	0990648		Fuse, 5 AMP, 500 Volt, DETD
11	0991414		Fuse, 3.2 AMP, 500 Volt, DETD
12	0992081		Terminal, Lug, 2#2/0, 4#4-14, #10
13	0993410		Suppressor, ARC, 200 VDC,Mod. 2
14	1087576		Rail, Din, 10" AIMS
15	1092246		Decal, Term., Marker, Aux.
16	1093194		Decal, Term. Marker, 12V
17	1096726		Nut, #4-10, Hex
18	1105253		Sensor, Temperature Monitor
19	1107077		Screw, #4-40 x 1/4", Sl. Pan Head
20	1109545		Connector, Plug, 5 MM, 14 Pos.
21	1130624		Screw, 1/4-20 x 3/8", Hex, Typ.#23
22	1600227		Transformer, 380/400/415 Volts

Ref.	Original Part No.	Substitute Part No.	Description
23	1150168		Cover, Transformer, Term 9070FS
24	1173525		Cover, Fuse Holder, CE
25	1174655		Board, PC, 2 Second Delay
26	1174671		Rail, Din, End Stop
27	1174879		Fuse, 1.25 AMP, 500V, DETD
28	1177229		Connector, Plug, 5 MM 2 Position
29	1177542		Washer, Lock, #4, I-Tooth
30	1177765		Board, PC, Relay, BOSS
31	1178052		Panel, Back
32	1178326		Decal, Term. Marker, BOSS
33	1178623		Spacer, Male/Female, 25 Hex 4-40
34	1178631		Spacer, Male/Female, 2" Hex 4-40
35	1178979		Power Supply, BOSS Assy
36	1179605		DEcal, ETL
37	1182765		Connector, Plug, 5mm, 10 Pos.
38	1183302		Decal, Fuse, Size (2)-3.2 AMP
39	1183311		Decal, Fuse, Size, 1.25-5 AMP
40	1199720		Screw, #8-32 x 1-1/4
41	1215120		Resistor Assy, 2K, 25W
42	1601930		Disconnect, 60A, IEC Fused, Mod.



# Main Panels

## Main Panel, BOSS, 480V, 1600800, 45 AMP



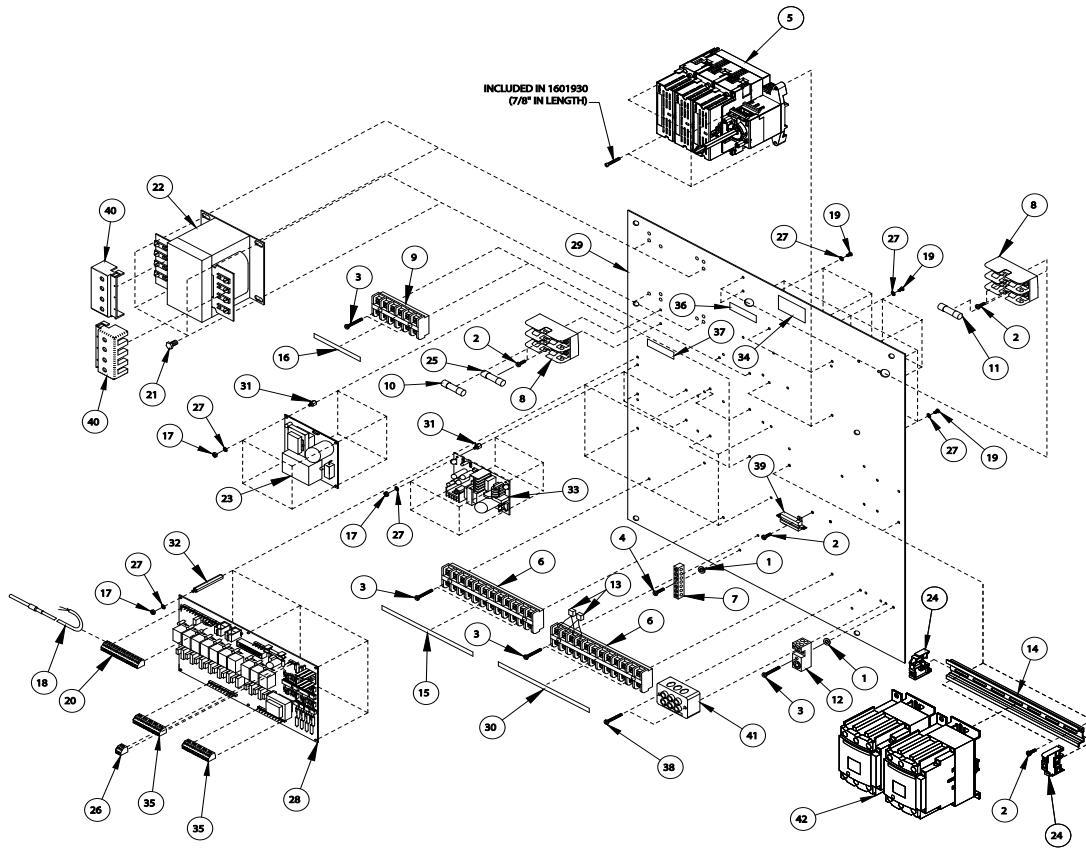
Ref.	Original Part No.	Substitute Part No.	Description
1	0608224		Nut, 5/16-18, Hex
2	0634535		Decal, "Caution", Main Panel
3	1286470		Decal, Ground Symbol
4	0642678		Nut, 1/4-20, Lock, Nylon Insert
5	0912485		Decal, "Machine Ground"
6	0972638		Decal, "Warning"
7	1600042		Decal, Zimmatic BOSS/BASIC, inr
8	1600067		Badge, BOSS Panel
9	1600895		Decal, "Danger", Tow;"Caution", Rst
10	0992305		Switch, Toggle, SPDT, ON ON
11	1028992		Screw, #10-24 x 1/2", Hex, S.T.
12	1449350		Decal, Schematic, BOSS
13	1375550		Decal, Term. Torque, Gndbar.
14	1152842		Decal, EMP ID, Assy/Wiring

Ref.	Original Part No.	Substitute Part No.	Description
15	1600089		Module Assy, BOSS
16	1399740		Decal, Term. Trq., GEC, Gnd. Lug
17	1181098		Decal, Block, BOSS
18	1600075		Decal, Door, Zimmatic by Lindsay
19	1600499		Ring, Ret. Push-On, 1/8" Stud
20	1173574		Decal, PE, Ground Symbol
21	1190470		Decal, Terminal Torque
22	0608489		Nut, #10-32, Hex, Zn
23	1180157		Washer, #10, Lock, Int. Tooth
24	1221810		Clamp, Ribbon Cable, 2" Wide
25	1174754		Decal, Label, Manufacture, CE
26	1601326		Decal, Green/Yellow, CE



# Main Panels

## Back Panel, BOSS, 480V, 1600800



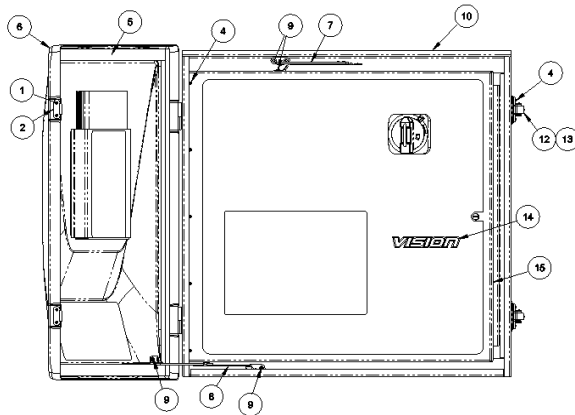
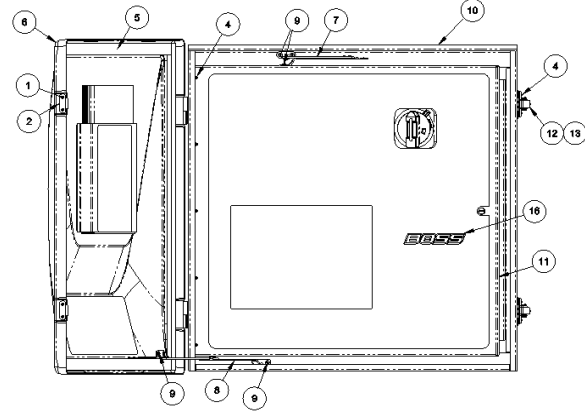
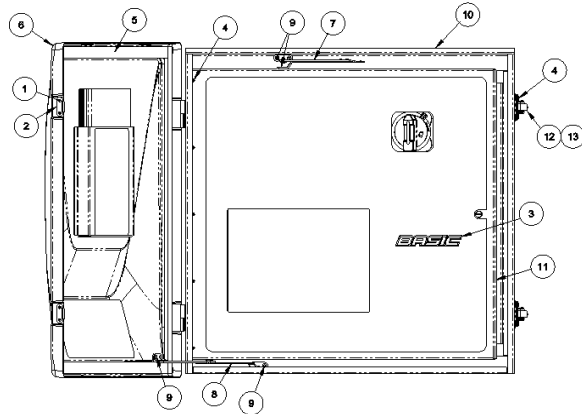
Ref.	Original Part No.	Substitute Part No.	Description
1	0608448		Washer, Lock, 1/4", I-Tooth
2	0608471		Screw, #8-32 x 3/8", Ph. Pn Hd,#23
3	0608505		Screw, #8-32 x 1", Ph. Pan Hd, #23
4	0645531		Screw, #8-32 x 3/4", Ph. Pn Hd,#23
5	1601930		Disconnect, 60A, IEC Fused, Mod.
6	0976027		Block Terminal, 12Pt.
7	0976316	1610341	Bar, Ground, Terminal, 6-#14, 6-#8
8	0988709		Fuseholder, 600V, 30A, 2 Pole
9	0990598		Block, Terminal, 6 Pt. #CR151B66
10	0990648		Fuse, 5 AMP, 500 Volt, DETD
11	0991414		Fuse, 3.2 AMP, 500 Volt, DETD
12	0992081		Terminal, Lug, 2#2/0, 4#4-14, #10
13	0993410		Suppressor, ARC, 200 VDC,Mod. 2
14	1087576		Rail, Din, 10", AIMS
15	1092246		Decal, Term., Marker, Aux.
16	1093194		Decal, Term. Marker, 12V
17	1096726		Nut, #4-10, Hex
18	1105253		Sensor, Temperature Monitor
19	1107077		Screw, #4-40x 1/4", SL.PN.HD.
20	1109545		Connector, Plug, 5 MM, 14 Pos.
21	1130624		Screw, 1/4-20 x 3/8", Hex, Typ.#23
22	1150143		Transformer, 480V, .5KVA
23	1174655		Board, PC, 2 Second Delay

Ref.	Original Part No.	Substitute Part No.	Description
24	1174671		Rail, Din, End Stop
25	1174879		Fuse, 1.25 AMP, 500V, DETD
26	1177229		Connector, Plug, 5 MM 2 Position
27	1177542		Washer, Lock, #4, I-Tooth
28	1177765		Board, PC, Relay, BOSS
29	1178052		Panel, Back
30	1178326		Decal, Term. Marker, BOSS
31	1178623		Spacer, Male/Female, 25 Hex 4-40
32	1178631		Spacer, Male/Female, 2" Hex 4-40
33	1178979		Power Supply, BOSS Assy
34	1179605		Decal, ETL
35	1182765		Connector, Plug, 5 MM, 10 Position
36	1183302		Decal, Fuse, Size (2)-3.2 AMP
37	1183311		Decal, Fuse, Size, 1.25-5 AMP
38	1199720		Screw, #8-32x1-1/4, PH.PN.HD.
39	1215120		Resistor Assy, 2K, 25W
40	1150168		Cover, Transfmr Term., 9070FSC2.
41	1424620		Block Term., 3 Pt.
42	1424650		Contactora, 3P, Rev, 50A,Aux, Sqd

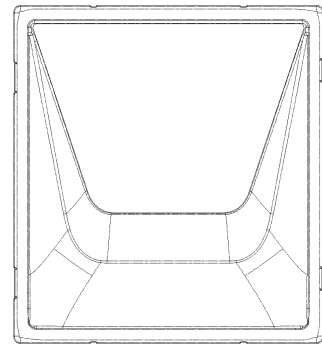


# Main Panels

## Main Panel Enclosure Components, BOSS 1600777, 1600800, 1600611, VISION 1600580, BASIC 1600574, VISION Lateral 1600500



Front view of outer door for reference only



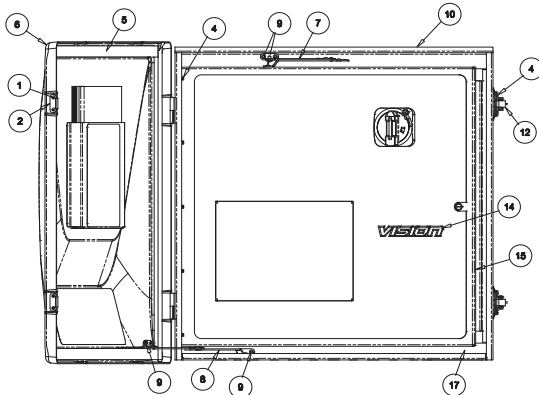
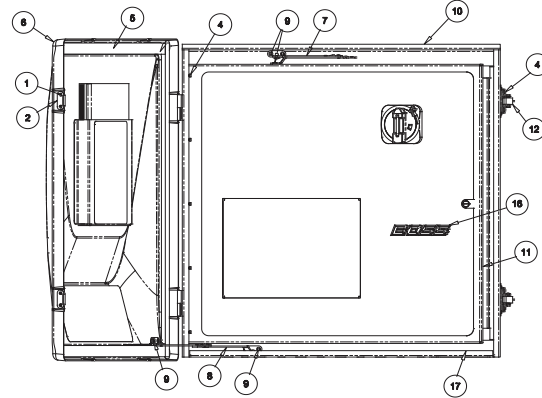
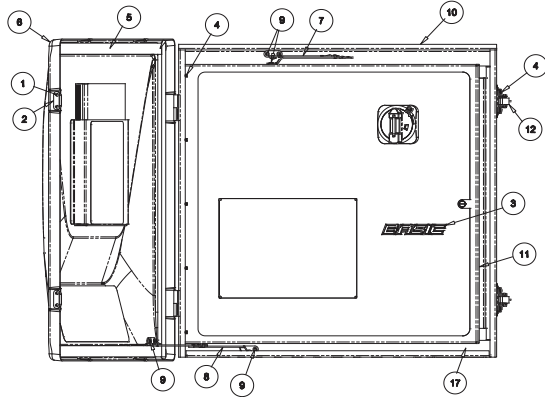
Ref.	Original Part No.	Substitute Part No.	Description
1	06-4366-8		Rivet, Dome Head, Pop, 1/8" SS
2	10-3447-9		Strike Latch
3	16-0006-5		Badge, BASIC Panel
4	10-3469-3		Rivet, Dome Head, Pop, 3/16
5	1607494		Gasket, Panel
6	16-0008-0		Door w/Hinges & Pocket, Red
7	10-9228-7		Holder, Door, Inner, MP

Ref.	Original Part No.	Substitute Part No.	Description
8	10-9229-5		Holder, Door, Outer, MP
9	10-9231-1		Rivet, Dome Head, Pop, 5/32
10	16-0007-9		Box, Main Panel, w/o Door, Red
11	16-0008-5		Door, Inner BASIC/BOSS, Red
12	1609116		Latch, Catch, CH 4050
13	11-6122-3		Latch, Base, BH 4050
14	16-0006-6		Badge, VISION, Panel
15	16-0008-7		Door, Inner VISION, Red
16	16-0006-7		Badge, BOSS, Panel

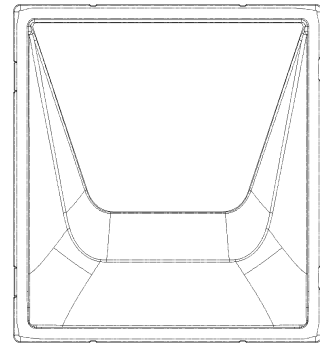


# Main Panels

**Main Panel Enclosure Components CE, BASIC 1600629, BOSS 1600661, VISION 1600631, VISION Lateral 1600501, VISION Chinese 1600740**



Front view of outer door for reference only



Ref.	Original Part No.	Substitute Part No.	Description
1	06-4366-8		Rivet, Dome Head, Pop, 1/8" SS
2	10-3447-9		Strike Latch
3	16-0006-5		Badge, BASIC Panel
4	14-8554-0		Rivet, Closed End, Pop, 3/16
5	1607494		Gasket, Panel
6	16-0008-0		Door w/Hinges & Pocket, Red
7	10-9228-7		Holder, Door, Inner, MP
8	10-9229-5		Holder, Door, Outer, MP
9	10-9231-1		Rivet, Dome Head, Pop, 5/32

Ref.	Original Part No.	Substitute Part No.	Description
10	16-0007-7		Box, MP, w/o Door, CE, Red
11	16-0008-5		Door, Inner BASIC/BOSS, CE, Red
12	1609116		Latch, Catch, CH 4050
13			
14	16-0006-6		Badge, VISION, Panel
15	16-0008-8		Door, Inner VISION, CE, Red
16	16-0006-7		Badge, BOSS, Panel
17	14-8529-0		Vent, Control Panel, CE

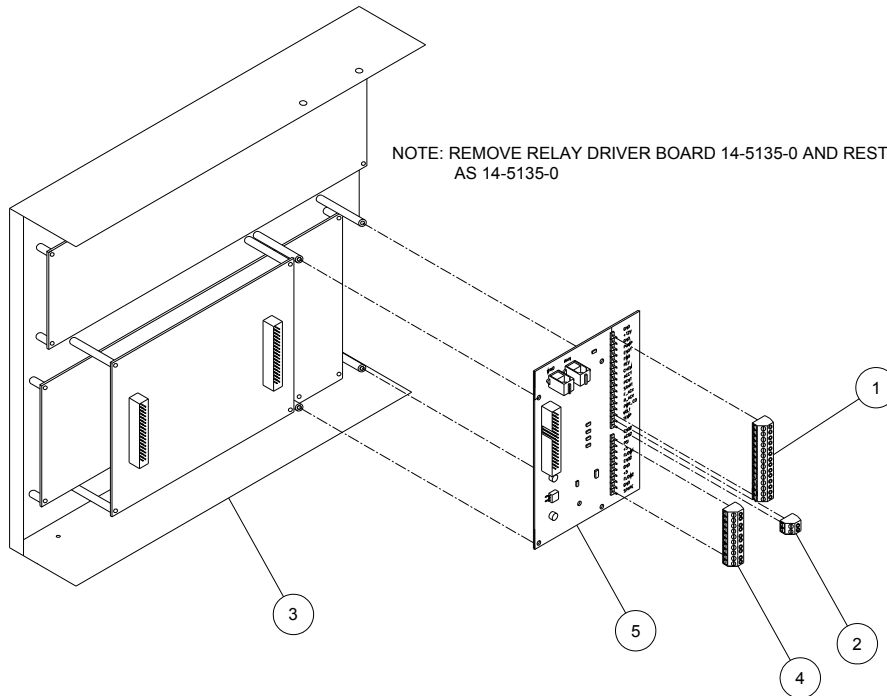
Note: Item 17, Vent is supplied taped to the inside of the panel for shipping and must be field installed.



# Main Panels

**Conversion Kit, AIMS to BOSS, 1190740**

**Conversion Kit, AIMS to BOSS, Remanufactured, 1343490**

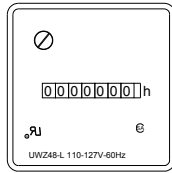


Ref.	Original Part No.	Substitute Part No.	Description
1	11-0954-5		Connector, Plug, 5 MM, 14 Pos.
2	11-7722-9		Connector, Plug, 5 MM, 2 Position
3	12-1015-0		Module, BOSS, Remanufac.
4	11-8276-5		Connector, Plug, 5 MM, 10 Pos.
5	14-4872-0		Board, PC, BOSS to AIMS, Relay Driver

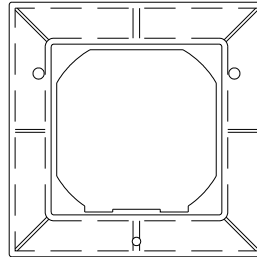


# Main Panels

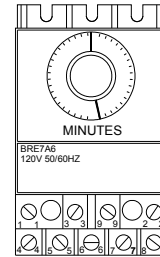
## Timer Assemblies



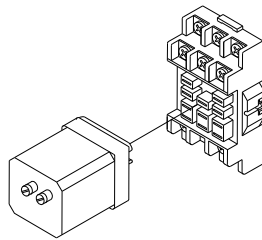
9-9132-3 TIMER, HOURMETER,  
PANEL MOUNT, W/O BEZEL (FIELD BASIC)



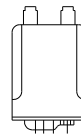
10-9993-6 BEZEL, HOURMETER  
(FIELD BASIC)



9-7262-0 TIMER, EAGLE SIGNAL, #BR17A6



9-9182-8 SOCKET, 11 BLADE, SQ. SURFACE MNT.  
NOTE: USE IN CONJUNCTION WITH PART NO.  
9-9181-0 TIMER, DUAL RESTART, 120VAC



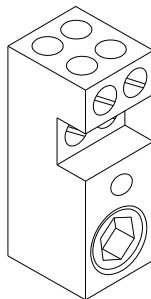
EAGLE SIGNAL



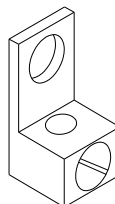
9-9181-0  
DUAL RESTART, 120VAC

Ref.	Original Part No.	Substitute Part No.	Description
1	09-9132-3		Timer, Hourmeter, Panel Mount
2	09-9181-0		Dual Restart, 120 VAC
3	09-9182-8		Socket, 11 Blade, Sq. Surface Mnt.
4	09-7261-2		Timer, Internal, 5 Min. Reset
5	09-7262-0		Timer, Eagle Signal (Type B)
6	10-9993-6		Bezel, Hourmeter

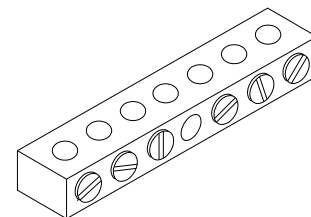
## Terminal Lugs



9-9208-1  
TERM., LUG, 2-#2/0, 4-#14, #10



9-7618-3 TERM., WIRE LUG, N, #2-14 AWG, 1/4"



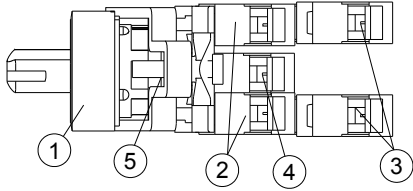
1610341  
Ground Bar, Terminal, 6-#4-14, 2 Screws

Ref.	Original Part No.	Substitute Part No.	Description
1	09-7618-3		Term., Wire, Lug, N, #2-14, AWG, 1/4"
2	09-7631-6	1610341	Bar, Gnd Terminal, 6-#14, 2 Screws
3	09-9208-1		Term., Lug, 2-#2/0, 4-#14, #10



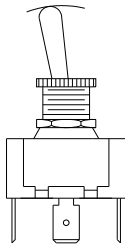
# Main Panels

## Switch Assembly Components for BASIC, 1600877

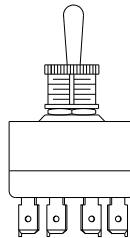


Ref.	Original Part No.	Substitute Part No.	Description
1	14-0020-0		Switch, Operator, 3 Position, Spring Ret.
2	14-0021-0		Switch Block, N.O., #101
3	14-0023-0		Switch Block, N.O., Early Make, #201
4	14-0024-0		Switch Block, N.C., Late Break, #202
5	14-0026-0		Switch, Operator Base

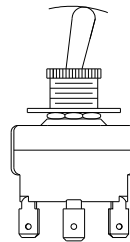
## Toggle Switches, Main Panel



9-9230-5  
SWITCH, TOGGLE, SPDT, ON-ON



13-3598-0  
SWITCH, TOGGLE, 4 PDT, ON/ON

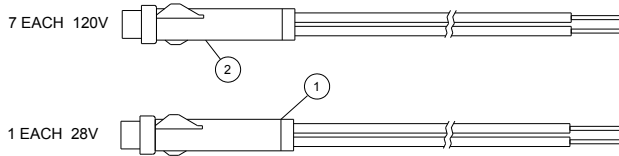


Ref.	Original Part No.	Substitute Part No.	Description
1	13-3598-0		Switch, Toggle, 4 PDT, ON/ON
2	09-9230-5		Switch, Toggle, SPDT, ON/ON

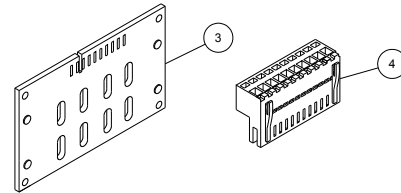


# Main Panels

## Kit, Green, LED's, Update, 1216910 (BASIC)

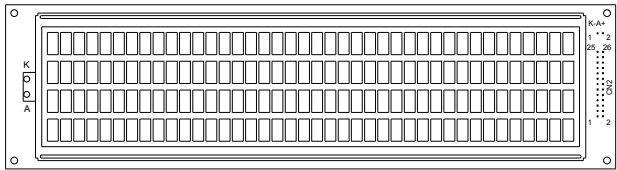


**NOTE:** These lights were replaced with items below. Can be ordered for replacement only.



Ref.	Original Part No.	Substitute Part No.	Description
1	11-74812		Light Green, LED, 28 VAC
2	11-7482-0		Light, Green, LED, 120 VAC
3	13-4326-0		Board, PC, BASIC, LED
4	13-4347-0		Connector, Plug, 10 Position Edge

## LCD Screen, BOSS, 1168293



Ref.	Original Part No.	Substitute Part No.	Description
1	11-6829-3		Screen, LCD, 4 x 40, Service Part

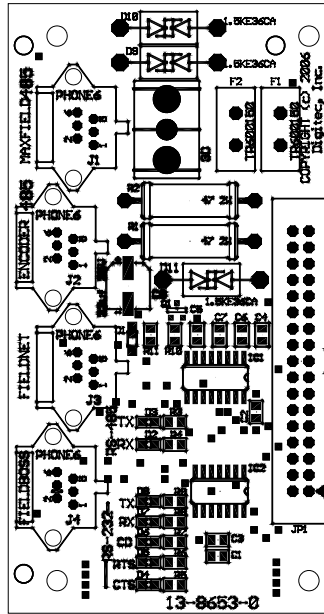


# Main Panels

## Board, BOSS, Com, 232, 485, Encoder, 1386530

2, 2, 3, 75

- MAXfield 485 port \_\_\_\_\_
- ENCODER 485 port \_\_\_\_\_
- FieldBOSS 232 port \_\_\_\_\_
- FieldNET 232 port \_\_\_\_\_



Ref.	Original Part No.	Substitute Part No.	Description
1	13-8653-0		Board, BOSS, Com, 232, 485, Encoder

## Eproms, BOSS

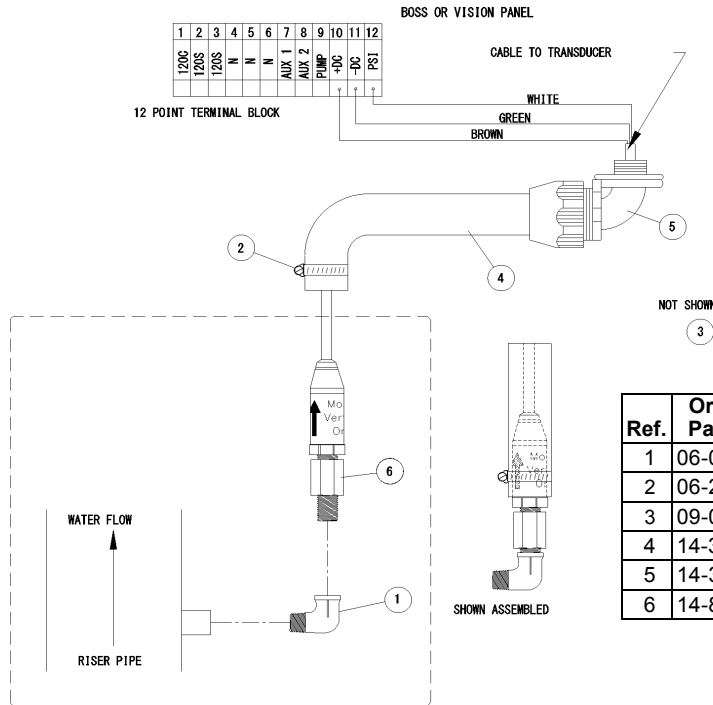
Ref.	Original Part No.	Substitute Part No.	Description
1	12-1464-0		EPROM, BOSS, Demo, 9P, Nulink
2	12-1465-0		EPROM, BOSS, MPVT, 9P, Nulink
3	12-1466-0		EPROM, BOSS, PRPP, 9P, Nulink
4	11-9679-0		EPROM, BOSS, 1024, 9P, Nulink
5	1601429		EPROM, BOSS, STD, TRANS, DDC
6	11-1799-3		IC, Multiplexer 4 Channel



# Main Panels

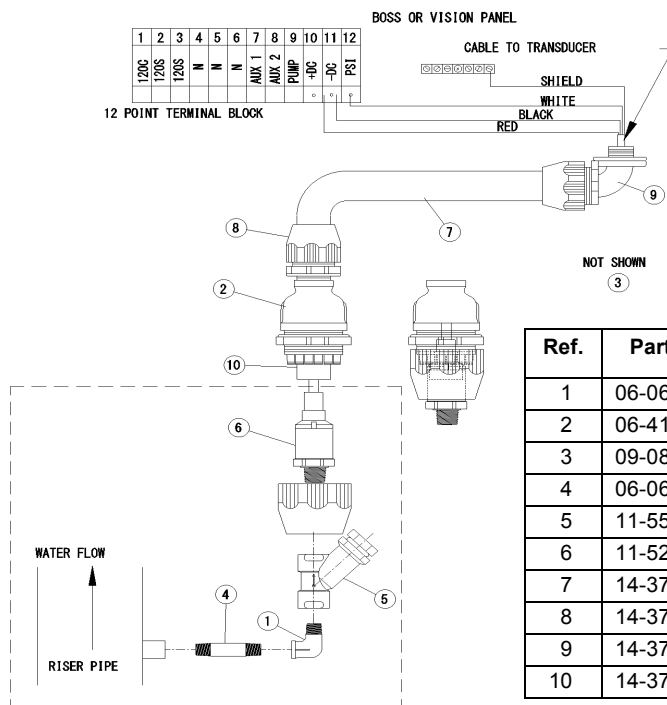
## BOSS Transducer

### Transducer, Span - 14-9393-0 Kit Trans. Riser Span



Ref.	Original Part No.	Substitute Part No.	Description
1	06-0648-3		Elbow, Street, 1/4" x 90 Deg, Gv.
2	06-2532-7		Clamp, Hose, Worm Drive
3	09-0822-8		Tie, Cable, Plastic, 14-1/2" Long
4	14-3760-0		Conduit, Liq, T, NonMetallic, 3/4"
5	14-3762-0		Connector, 3/4"x90 Deg, Liq, Tt
6	14-8844-0		Transducer, Span,0-150,w/FP,HP

### Transducer, Ashcroft - 14-3766-0 Kit Trans. Riser Ashcroft

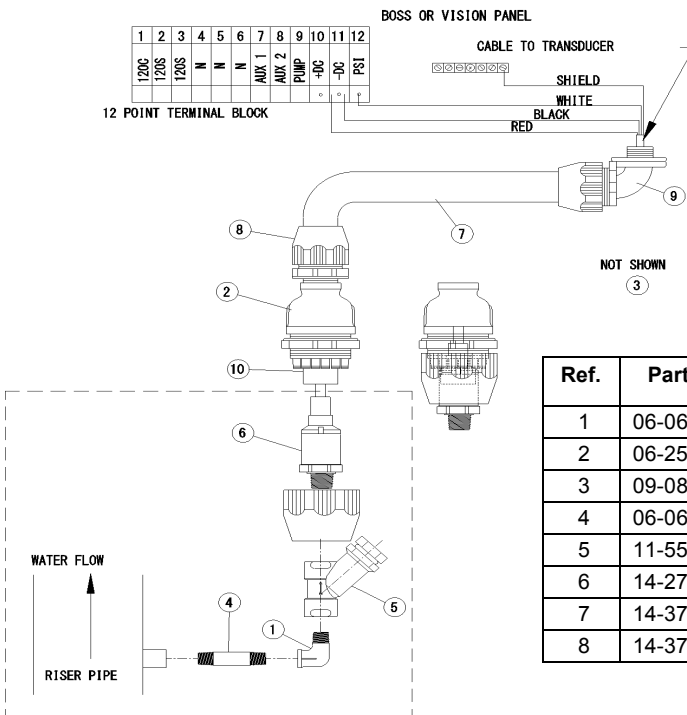


Ref.	Part No.	Substitute Part No.	Description
1	06-0648-3		Elbow, Street, 1/4" x 90 Deg, Galv.
2	06-4121-7		Reducer. Bell, 1"x3/4", Galv.
3	09-0822-8		Tie, Cable, Plastic, 14-1/2" Long
4	06-0652-5		Nipple, Pipe, 1/4x2, Galv.
5	11-5533-2		Filter, 1/4" Y-Line Str 100 Mesh
6	11-5244-6		Transducer, Ashcroft, 0-150
7	14-3760-0		Conduit, Liq, T, NonMetallic, 3/4"
8	14-3761-0		Connector, 3/4" Str., Liquidtight
9	14-3762-0		Connector, 3/4"x90 Deg, Liq, Tight
10	14-3764-0		Connector, 1" Str, Liquidtight



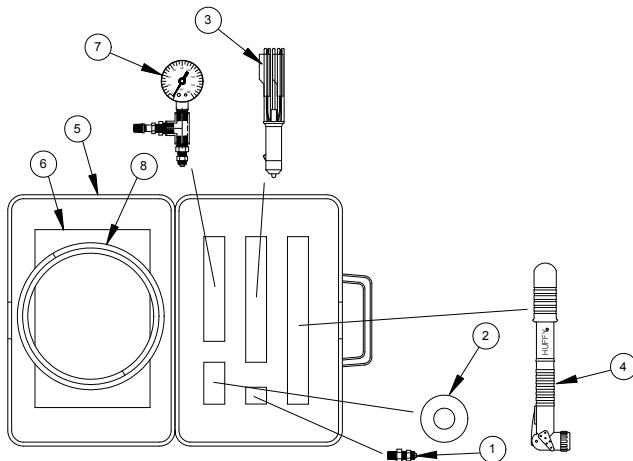
# Main Panels

## Transducer, Setra - 14-3769-0 Kit Trans. Riser Setra



Ref.	Part No.	Substitute Part No.	Description
1	06-0648-3		Elbow, Street, 1/4" x 90 Deg, Galv.
2	06-2532-7		Clamp, Hose, Worm Drive, Sz. 12
3	09-0822-8		Tie, Cable, Plastic, 14-1/2" Long
4	06-0652-5		Nipple, Pipe, 1/4x2, Galv.
5	11-5533-2		Filter, 1/4" Y-Line Str 100 Mesh
6	14-2714-0		Transducer, 0-150PSI, Setra
7	14-3760-0		Conduit, Liq, T, Nonmetallic, 3/4"
8	14-3762-0		Connector, 3/4"x90 Deg, Liq, Tight

## Pressure Transducer Analyzer Kit, 1170265



Ref.	Original Part No.	Substitute Part No.	Description
1	06-0956-0		Connector, Hose, 1/4" x 1/4" MPT
2	10-9541-3		Tape, Teflon Tape Sealing
3	11-7020-8		Cable Assy, Transducer w/Plug
4	11-7022-4		Pump, Huffy Air
5	11-7023-2		Case, Plastic Carrying (Platt)
6	11-7024-0		Instructions, Transducer Test
7	11-7025-7		Assembly, Air Valve & Gauge
8	11-8335-7		Tubing, 1/4" O.D. x 6-1/2" L, Nylon

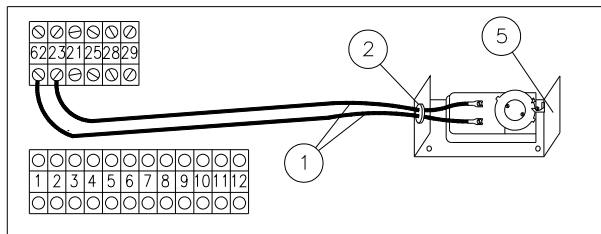


# Main Panels

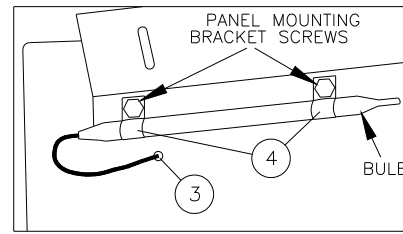
## Service Conductor Terminal Block Kit, 0349100

Ref.	Original Part No.	Substitute Part No.	Description
1	06-0844-8		Washer, Lock, 1/4"
2	06-0847-1		Screw, #8-32 x 3/8", Ph. Pan Head, #23
3	06-3249-7		Screw, #8-32 x 5/8", Ph. Pan Head, #23
4	06-3857-7		Decal, "Danger", Terminal Block Shield
5	06-4231-4		Screw, 1/4-20 x 1/2", Slotted Round Head
6	06-4232-2		Instructions, Terminal Block
7	09-7612-6		Terminal, Wire, D, #10-12, Ring, 1/4"
8	09-8821-2		Wire, Electric, 10 TEW, Black
9	09-9171-1		Shield, 3 Pt. Terminal, Block
10	09-9172-9		Block, Terminal, 3 Pt.

## Low Temperature Shutdown



PANEL BACK PLATE



BOTTOM VIEW OF PANEL

Ref.	Original Part No.	Substitute Part No.	Description
1	03-4908-4		Wire, w/Term., 21-1/2" Hook-Up
2	06-3898-1		Grommet, Rubber, 5/8" ID x 1-1/8 OD
3	06-3899-9		Bushing, Universal, .875"
4	09-9033-3		Clamp, Tube, 3/8" Insulated
5	09-9034-1		Switch, Low Temperature

## Main Panel Fuses

Ref.	Original Part No.	Substitute Part No.	Description
1	09-2020-7		Fuse, 250V, 5 Amp, Non-Time Delay
2	09-9135-6		Fuse, 600V, 15 Amp, D.E.T.D
3	09-9136-4		Fuse, 600V, 20 Amp, D.E.T.D
4	09-2028-0		Fuse, 600V, 30 Amp, D.E.T.D
5	09-8869-1		Fuse, 500V, 2 Amp, D.E.T.D
6	09-9134-9		Fuse, 600V, 8 Amp, D.E.T.D
7	09-9137-2		Fuse, 600V, 25 Amp, D.E.T.D
8	09-9291-7		Fuse, 1.5Amp, 500V, D.E.T.D
9	11-5566-2		Fuse, 15 Amp, 600V, Class CC

Ref.	Original Part No.	Substitute Part No.	Description
10	11-8344-0		Fuse, 30 Amp, 600V, Class CC
11	11-8345-0		Fuse, 25 Amp, 600V, Class CC
12	11-8346-0		Fuse, 20 Amp, 600V, Class CC
13	11-8347-0		Fuse, 12 Amp, 600V, Class CC
14	11-8348-0		Fuse, 10 Amp, 600V, Class CC
15	11-8349-0		Fuse, 8 Amp, 600V, Class CC
16	11-8350-0		Fuse, 5 Amp, 600V, Class CC
17	13-5856-0		Fuse, 1.0 Amp, 600V, Fast Blow
18	13-5836-0		Fuse, 1.8 Amp, 600V, Class CC
19	16-0031-2		Decal, Fuse Size (2) 1.25AMP CC



# Main Panels

Forward Guidance Panel, LM, 0352930, Reverse Guidance Panel, LM, 0353797

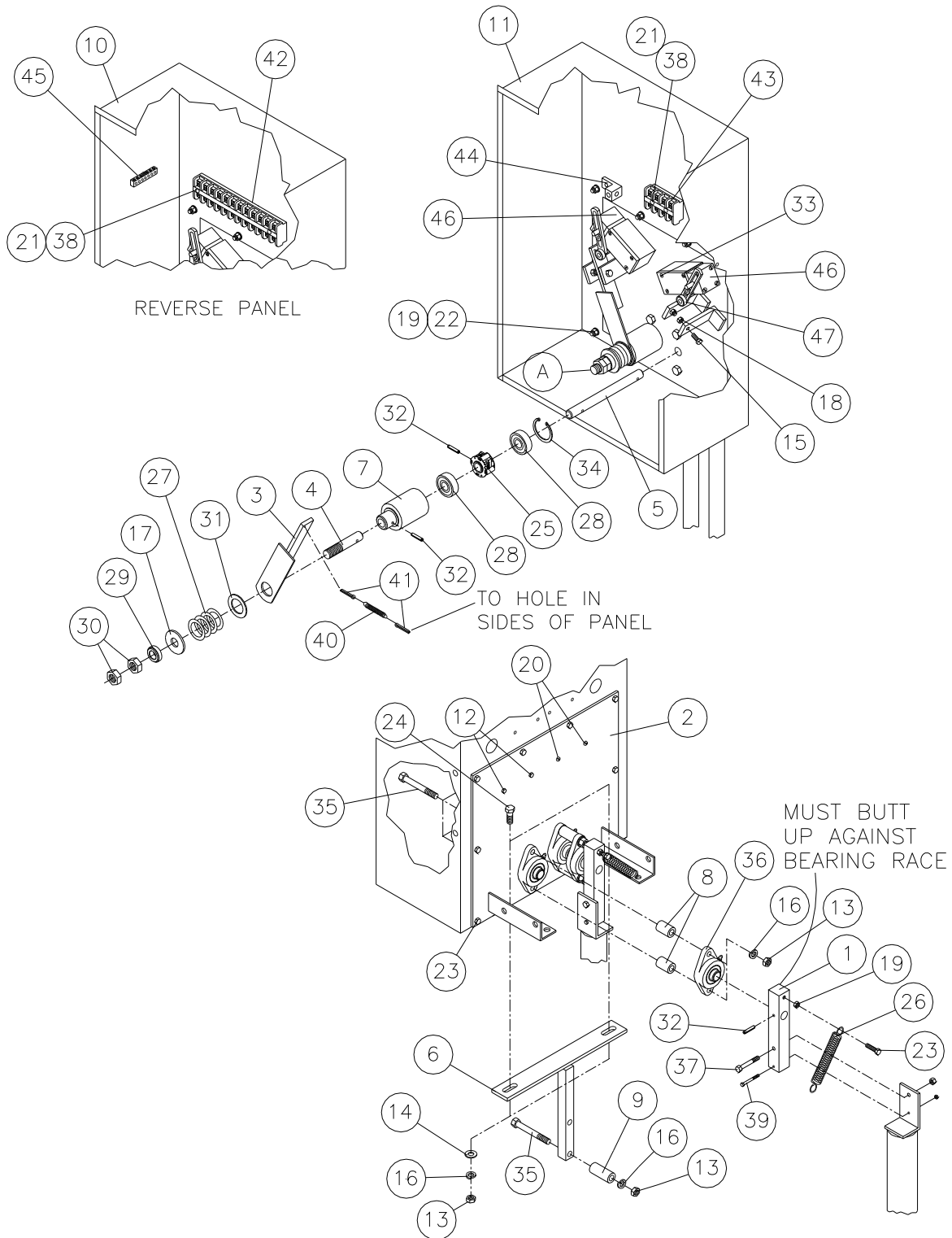


Figure 1



# Main Panels

## Forward Guidance Panel, 3-5293-0, Reverse Guidance Panel, 3-5379-7 (cont'd.)

Ref.	Original Part No.	Substitute Part No.	Description
1	3-5015-7	4-5015-5	Mount, Quill, Lateral Move, Pntd.
2	3-5017-3		Plate, Guidance Panel, Back, Lateral Move
3	3-5022-3		Lever, Switch, Actuator, Lateral Move
4	3-5025-6		Stud, Brake Adjustment, Lateral Move
5	3-5027-2		Shaft, Guidance Actuator, Lateral Move
6	3-5028-0		Mount, Quill Stop, Lateral Move
7	3-5033-0		Housing, One-Way Clutch, Lateral Move
8	3-5368-0		Space, Bearing, Guidance Quill, Lateral Move
9	3-5370-6		Stop, Quill, Lateral Move
10	3-5373-0	9-9299-0	Box, Control, Guidance, Lateral Move
11	3-5374-8	9-9299-0	Box, Control, Guidance, Lateral Move
12	6-0090-8		Nut, #10-20, Hex
13	6-0120-3		Nut, 3/8-16, Hex
14	6-0250-8		Washer, Flat, 3/8"
15	6-0802-6		Screw, 5/16-18 x 1", Hex
16	6-0813-3		Washer, Lock, 3/8", Helical
17	6-0818-2		Washer, Flat, 5/8"
18	6-0822-4		Nut, 5/16-18, Hex
19	6-0841-4		Nut, 1/4-20, Hex
20	6-0846-3		Screw, #10-32 x 1/2", Slotted Pan Head
21	6-0850-5		Screw, #8-32 x 1", Phillip Pan Head, #25
22	6-1510-4		Washer, Lock, 1/4", Helical
23	6-1580-7	11-8405-0	Screw, 1/4-20 x 1", Hex, Stainless
24	6-2221-7		Screw, 3/8-16 x 1", Hex, Grade 5
25	6-3261-2		Clutch, One-Way, HU74A10R, Spec.
26	6-3263-8		Spring, Quill Return, Lateral Move
27	6-3264-6		Spring, Break Compression, Lateral Move
28	6-3265-3		Bearing, Ball, 1628 DC, 5/8" I.D.
29	6-3266-1		Bearing, Ball, Thrust, 605, 5/8" I.D.
30	6-3267-9		Nut, 5/8-11, hex, Jam
31	6-3268-7		Bushing, Machine, 1-1/8", 14 Ga.
32	6-3270-3		Pin, Spring, .188" x 1"
33	6-3271-1		Screw, #10-24 x 2", Hex
34	6-3309-9		Ring, Retaining, Basic Int., 1-9/16"
35	6-3427-9		Screw, 3/8-16 x 3", Hex
36	6-3428-7		Bearing, 5/8", 2 Bolt Flange
37	6-3429-5		Screw, 1/4-20 x 1-3/4", Hex
38	6-3430-3		Nut, #8-32, Lock
39	6-3431-1		Screw, #8-32 x 1-1/2", Hex
40	6-4773-5		Spring, Extension, #E26
41	6-4774-3		Pin, Cotter, .125" x 1.04"
42	9-7602-7		Block, Terminal, 12 Pt., #CR151B26AF
43	9-7604-3		Block, Terminal, 4 Pt., #CR151B46AF
44	9-7618-3		Terminal, Wire Lug, N, #2-14 AWG, 1/4"
45	9-7631-6	1610341	Bar, Ground Terminal, 6-#14, 6-#8
46	9-8946-7		Switch, Lim., Side R, SPDT, Momentum
47	9-8952-5		Actuator, Switch, Adjustment R, w/ Roller



# Main Panels

## Panel, Control, Lateral Move, Buried Guidance, 1101112

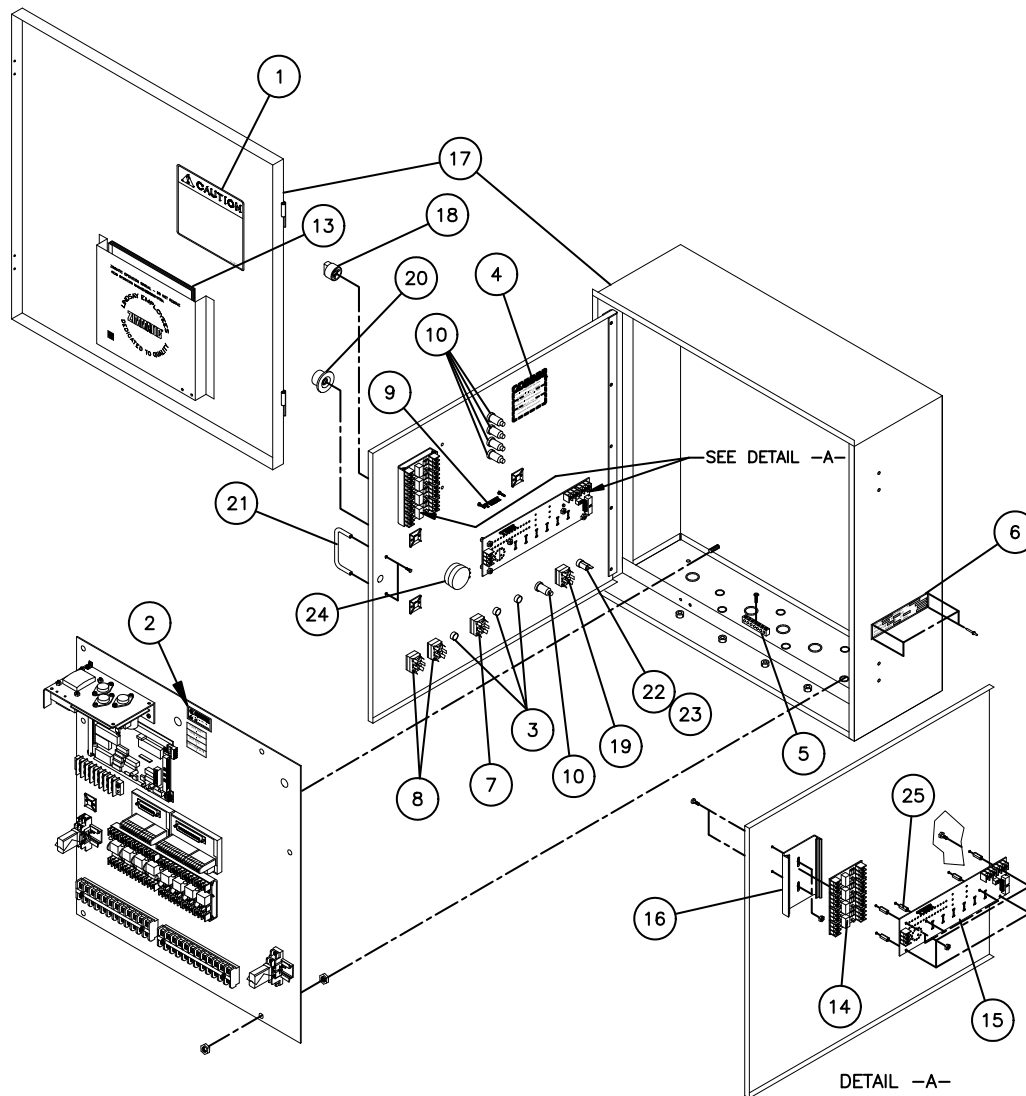


Figure 1

Ref.	Original Part No.	Substitute Part No.	Description
1	6-3453-5		Decal, "Caution", Main Panel
2	6-4153-0	N/A	Decal, UL, "Open Ind. Cont. Panel"
3	6-4264-5		Plug, Hole, Nylon, 1/2"
4	9-1250-1		Decal, "Danger", 480 Volt
5	9-7631-6	1610341	Bar, Ground, Terminal, 6-#14, 6-#8
6	9-9273-5		Nameplate, Irrigation System
7	9-9287-5		Switch, Tog., 2 PDT, Mom., ON
8	9-9339-4		Switch, Tog., DPDT-ON, Mom-ON
9	10-1586-6		Meter, LCD, Corner Machine
10	10-1587-4		Light Indicator, Corner Machine
11	10-1589-0		Cable Assy, 20 Cond, 3 Conn, 34"
12	10-1590-8		Cable Assy, 34 Cond, 2 Conn, 8-1/4"
13	10-9126-3		Manual, Operation, SCP

Ref.	Original Part No.	Substitute Part No.	Description
14	11-4681-0		Board, PC, AC Latch Output, Digi
15	11-4682-8		Board, PC, Switch Panel, Digi
16	11-6043-1		Snap-Track, 4.75"
17	11-6048-0		Box, Complete, SCP
18	11-6051-4		Knob, Switch, Panel 250-077
19	11-6053-0		Switch, Toggle, DPDT, ON/ON
20	11-6054-8		Knob, Alum., Inlay, PKB-90B1/4
21	11-6055-5		Handle, Inner Door, SCP, 94F4260
22	11-6056-3		Holder, Fuse, LITL #342838
23	11-6057-1		Fuse, 5 AC SLO-BLO 313005
24	11-8122-1		Potentiometer Assembly, S.C.
25	11-8198-1		Spacer, Male/Female, .625 Hex 4-40

# Main Panels

## Back Panel for 1101112

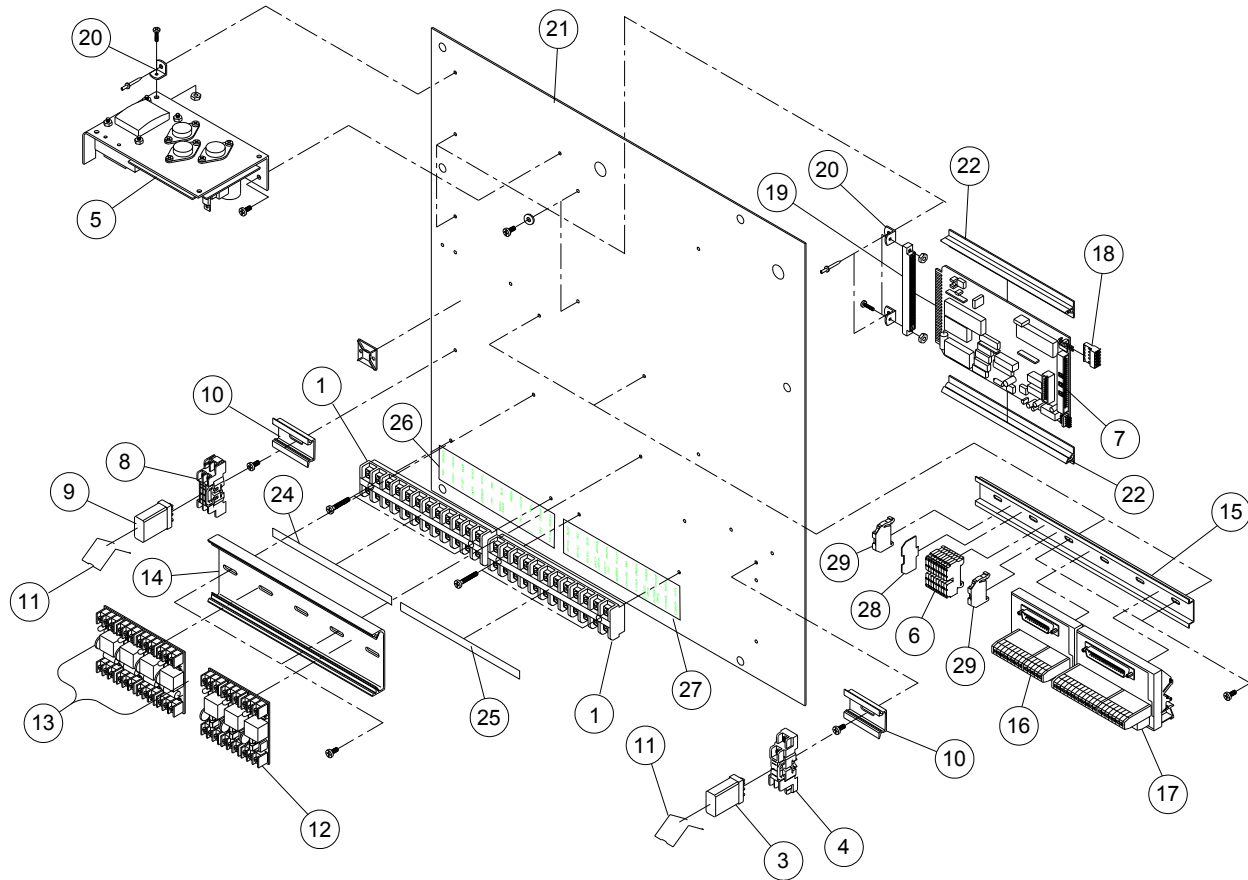


Figure 1

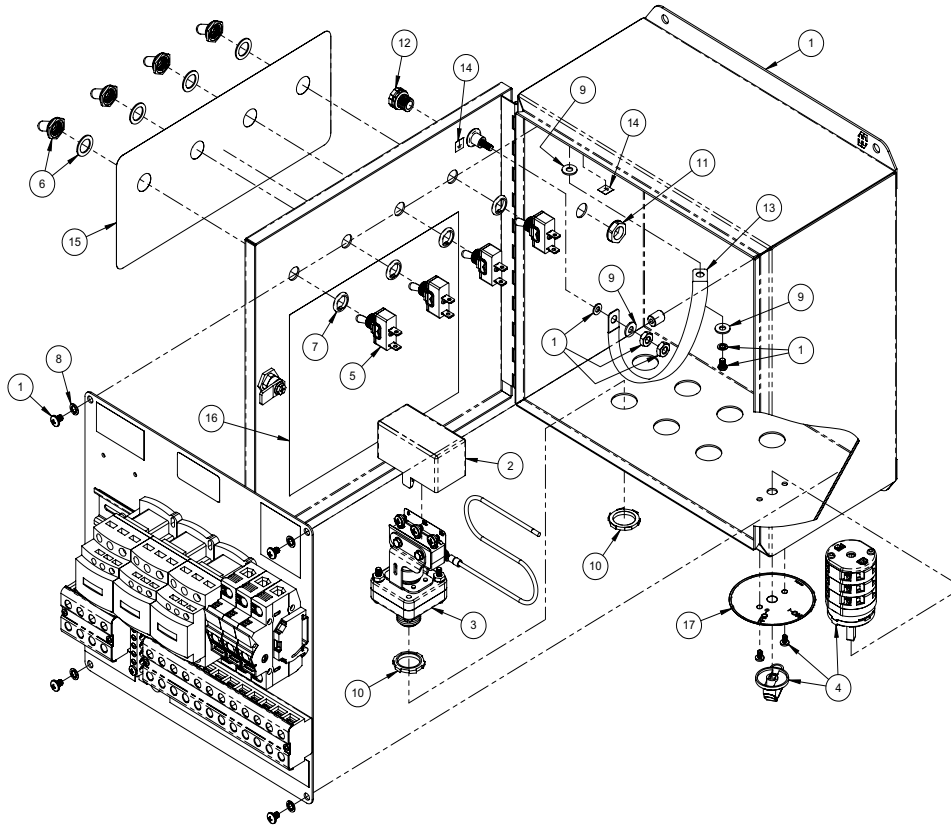
Ref.	Original Part No.	Substitute Part No.	Description
1	9-7602-7		Block, Term, 12 Pt. CR151BA26AF
2	9-9341-0		Suppressor,ARC, 200 VDC,Mod. 2
3	10-0060-3		Relay, Plug-In, SPDT
4	10-0061-1		Socket, Relay, Plug-In, 5 Bl., 300V
5	10-1576-7		Power Supply Assy,+5+15-15V,DC
6	12-3868-0		Block, Terminal, Clamp, 4
7	10-9946-4		Board, CPU, Single Corner
8	11-0015-5		Relay, Plug-In, DPDT, 120V
9	11-0016-3		Socket, Relay, DPDT, 5 AMP,300V
10	11-1788-6		Rail, Din, 2"
11	11-1797-7		Spring, Relay Retainer, SPDT
12	11-4679-4		Board, PC, AC 1 Output, Digi.
13	11-4680-2		Board, PC, AC 1 Input, Digi.
14	11-6041-5		Snap-Track, 9.25"

Ref.	Original Part No.	Substitute Part No.	Description
15	13-4209-0		Rail, Din, 12" (304.8MM)
16	11-6049-8		Module, Interface 25 Position
17	11-6050-6		Module, Interface, 37 Position
18	11-6052-2		Connector Housing
19	11-6058-9		Connector, Card Edge R644
20	11-6060-5		Bracket, Universal Elec. #615
21	11-6171-0		Panel, Back, Corner System
22	11-6179-3	N/A	Mount, Board, PVC 7"
23	11-7166-9		Suppressor, TVS, 6 Volt, 500 Watt
24	11-8721-0		Decal, Terminal Marker, LMBC
25	11-8722-0		Decal, Terminal Marker, LMBC, Left
26	11-8724-0		Decal, Terminal, LMBC, Left
27	11-8725-0		Decal, Terminal, LMBC, Right
28	12-3873-0		Block, Terminal, Clamp, 4, End
29	12-4620-0		Block, Terminal, EndStp, ScrewLS



# Main Panels

## Switch Panel, Lateral Cart, 1601338



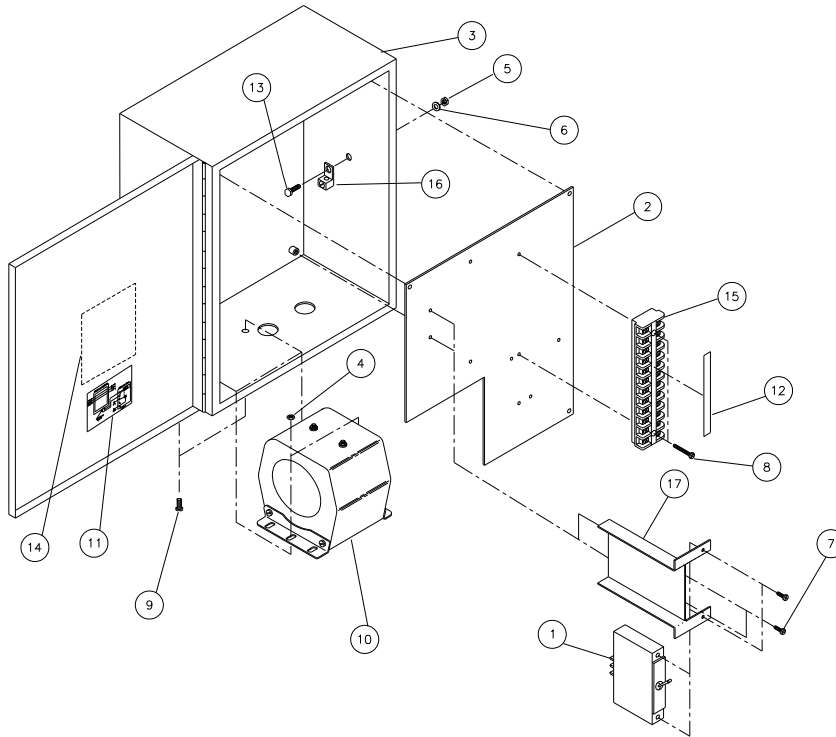
Ref.	Part No.	Description
1	1601347	Enclosure, Switch, Lateral Cart
2	1180801	Cover, Terminal, Pressure Switch
3	1344900	Switch, Pressure, 2-50 PSI, with Ground
4	0988667	Switch, Rotary Power, 6 PST, 10A
5	1601412	Switch, Toggle, SPST, CE
6	1602688	Boot, Switch, Toggle, APEM600H
7	1602687	Washer, Sealing, Switch, APEM600H
8	1180157	Washer, Lock, #10, Internal Tooth

9	1028786	Washer, Flat, #10
10	1095009	Nut, Conduit, 1/2", Lock, Sealing
11	1600368	Nut, Vent, Envir, Gore, M12 x 1.5
12	1600367	Vent, Envir, Gore, Poly
13	1602110	Cable, Braided, Flat, 1/2" x 9"
14	1286470	Decal, Ground Symbol
15	1601342	Decal, Switch, Lateral Cart
16	1602670	Decal, Schematic for 1601338
17	1602409	Decal, On/Off, Lateral Cart



# Main Panels

## Panel, E.P. Ground Fault Interrupter, 03-4638-7



Ref.	Original Part No.	Substitute Part No.	Description
1	06-3545-8		Interrupter, E.P. Ground Fault
2	03-4635-3		Plate, Back, E.P. Ground Fault Int.
3	03-4636-1		Box, E.P. Ground Fault Interrupter
4	06-0090-8		Nut, #10-24, Hex
5	06-0841-4		Nut, 1/2-20, Hex
6	06-0844-8		Washer, Lock, 1/4" I-Tooth
7	06-0847-1		Screw, #8-32 x 3/8", Ph. Pn. Hd. #23
8	06-0850-5		Screw, #8-32 x 1", Ph. Pn. Hd. #23
9	06-1840-5		Screw, #10-24 x 1/2", Sl. Pn. Hd.

Ref.	Original Part No.	Substitute Part No.	Description
10	06-3544-1		Coil, Ground Fault Sensor
11	06-3547-4		Decal, G.F.I. Schematic
12	06-3548-2		Decal, Line Terminal Designation
13	06-4687-7		Screw, 1/4-20 x 5/8", Hex, Gr. 5
14	09-1250-1		Decal, "Danger"
15	09-7602-7		Block, Terminal, 12 Pt.
16	09-7618-3		Term, Wire Lug, N, #2-14 AWG, 1/4"
17	11-7806-0		Bracket, Coil Switch

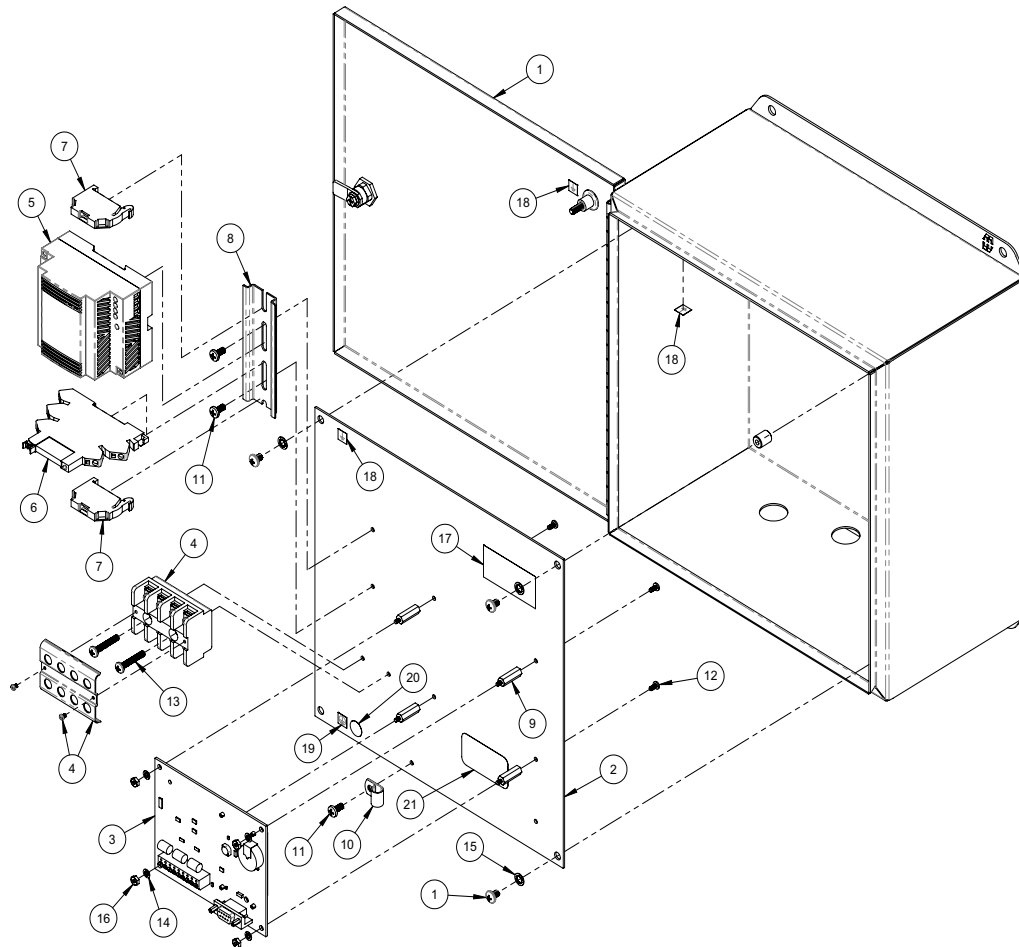
## Mount, Plate, 1126887



Ref.	Original Part No.	Substitute Part No.	Description
1	11-2688-7		Mount, Plate, GFI

# Main Panels

## Base GPS Panel, 1602016

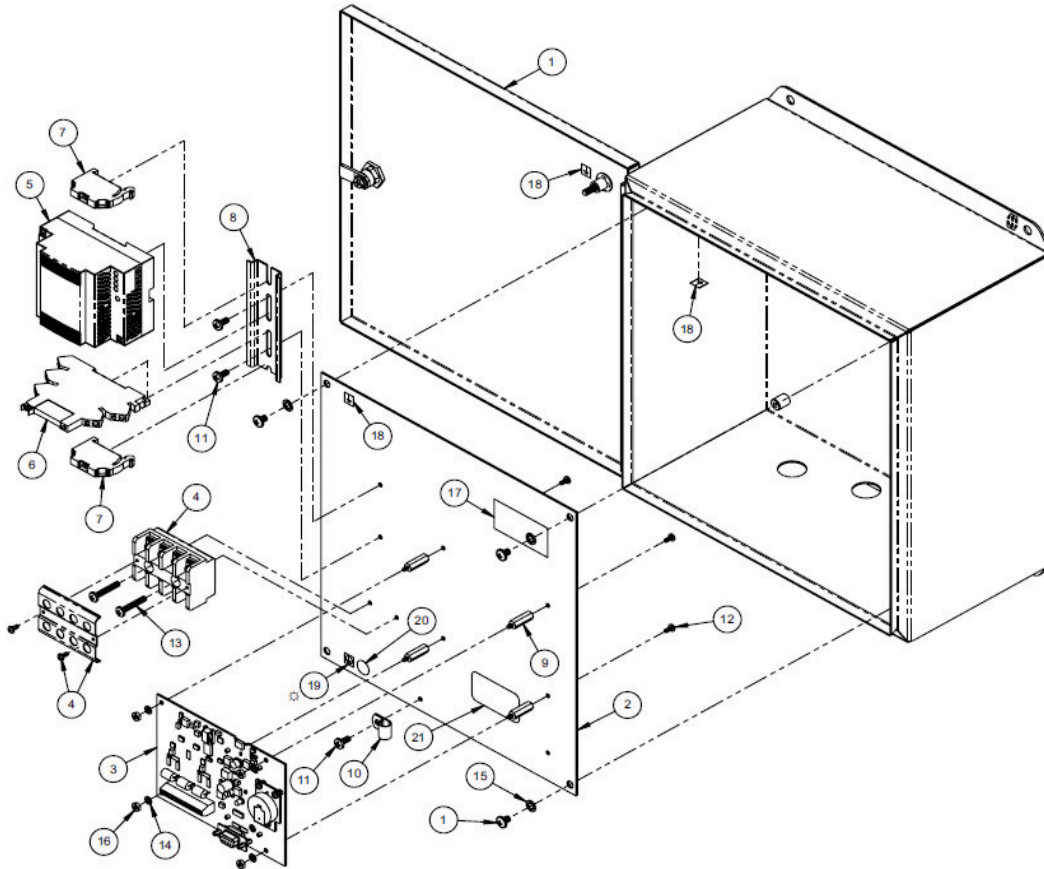


Ref.	Part No.	Description
1	1483420	Enclosure, Base, GPS, 9500CC
2	1501220	Panel, back, 10 x 10, Hammond
3	1609687	Boar Assy, GPS, Base, L1/L2
4	0976043	Block, Terminal, 4PT, #CR151B46AF
5	1600373	Power Supply, 12V, 4.5A, 60 Watt
6	1238230	Relay, Din-Rail Mount, SPDT, CE
7	1246200	Block, Terminal, Endstop, Screwless
8	1177872	Din Rail, 4"
9	1163724	Spacer, Male/Female, .75", Hex
10	1501050	Clamp, P, Grounding

11	0608471	Screw, #8-32 x 3/8, Phil. Pan Head, #23
12	1107077	Screw, #4-40 x 1/4", Slot Pan Head
13	0608505	Screw, #8-32 x 1 Phil. Pan Head, #23
14	1177542	Washer, #4, Lock, Internal Tooth
15	1180157	Washer, #10, Lock, Internal Tooth
16	1096726	Nut, #4-40, Hex
17	0636621	Decal, Built-Tested
18	1286470	Decal, Ground Symbol
19	1173574	Decal, PE, Ground Symbol
20	1601326	Decal, Green/Yellow, PE
21	1605703	Decal, Base, Rover, L1/L2 PCBs

# Main Panels

## Corner GPS Panel, 1609795

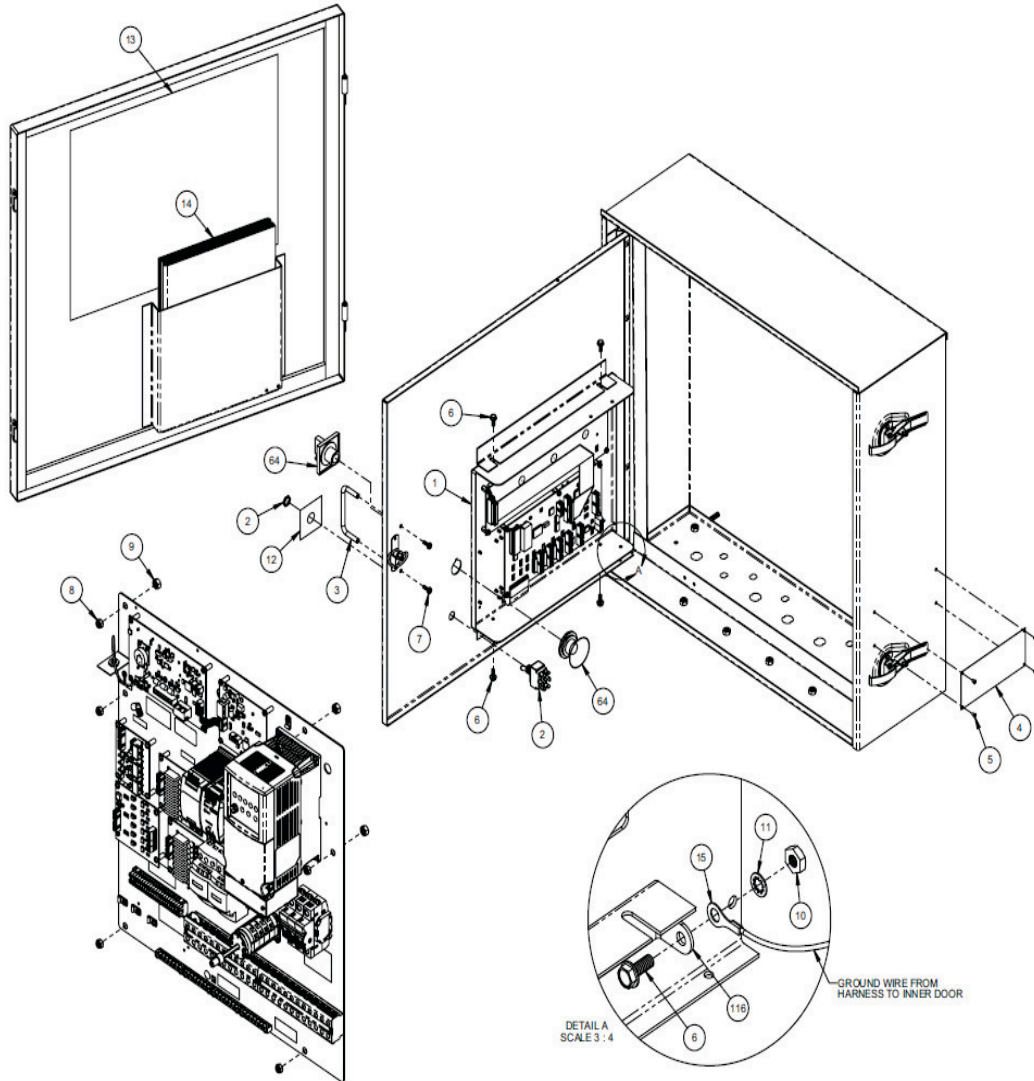


Ref.	Part No.	Description
1	1603465	Module, Assy, 9500CC, Micro, CE
2	0992875	Switch, Toggle, DPDT, Moment On-Off-On
3	1160555	Handle, Inner Door, SCP Key7173
4	1609019	Nameplate, 9500CC, Ratings
5	0635631	Rivet, 1/8", Klik-Fast 770-2758
6	1028992	Screw, #10-24 x 1/2", Hex
7	0624700	Screw, #8-32 x 1/2", Slot Pan Head

8	0642678	Nut, 1/4-20, Lock, Nylon Insert
9	0608224	Nut, 5/16-18, Hex
10	0608489	Nut, #10-32, Hex
11	1180157	Washer, #10, Lock, Internal Tooth
12	1286510	Decal, "FWD/REV", 9500CC
13	1609799	Decal, Schematic, 9500CC
14	1239680	Manual, Operation, 9500CC
15	1148196	Terminal, Wire, #10-12, Ring, #10

# Main Panels

## Corner GPS Panel, Back Plane, 1609795





# Main Panels

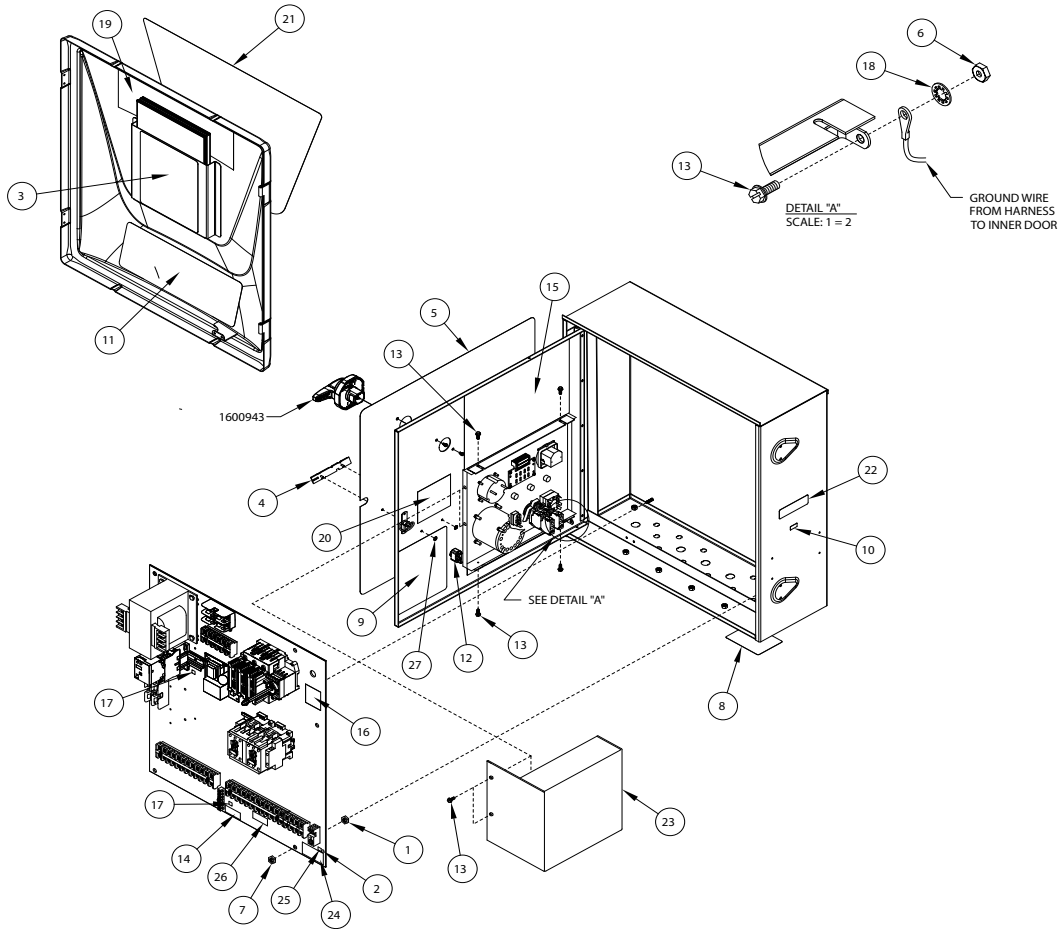
## Corner GPS Panel, Back Plane, 1609795

Ref.	Part No.	Description
58	1609798	Panel, Back, 9500CC, GPS
59	1602194	Drive, VFD, 5HP, A-B Powerflex 4
60	1601157	Cover, VFD, Base, PF4, Cable Ground
61	1601194	Clamp, NM Cable, 1/2" KO with Nut
62	1601138	P-Clamp, Grounding, 1/8"
63	1501050	P-Clamp, Grounding
64	1177310	Switch, Rotary Power, 8 PST, 30 A
65	1608855	Board, Assy, GPS Rover, L1/L2, CE
66	1482090	Board, Output, 9500CC
67	1236550	Board, Communication, 9500CC
68	1601052	Board, Input, 9500CC, Surge Suppressor
69	1103316	Block, Terminal, 20 PNT, #02M0117
70	0976027	Block, Terminal, 12 PT, CR151B26AF
71	1610341	Bar, Ground, Terminal, 6-#4-14, 2 Screws
72	1092139	Spacer, #8 x 5/8"
73	1608741	Ferrite, Core, Ring, 28B1020-100
74	0908244	Base, Wire Tie Support
75	0908160	Tie, Cable, Plastic, 5-1/2"
76	1160449	Din Rail, 5-7/8"
77	1087576	Din rail, 10"
78	1499560	Bracket, Antenna, GPS Corner
79	1480610	Cable, Coaxial, TNC-MCX, 8"
80	1132463	Terminal Wire, B, #16-14, Ring, 1/4"
81	1340070	Terminal Block, ACC, Jumper, CR151
82	0608505	Screw, #8-32 x 1", Phil. Pan Head, #23
83	0632497	Screw, #8-32 x 5/8", Phil. Pan Head, #23
84	0645531	Screw, #8-32 x 3/4", Phil. Pan Head, #23
85	0608471	Screw, #8-32 x 3/8", Phil. Pan Head, #23
86	1183348	Screw, #8-32 x 1/2", Phil. Pan Head, #23
87	0636621	Decal, Built-Tested
88	1179605	Decal, ETL
89	1602354	Decal, Fuses, VFD, 15A, CC
90	1190470	Decal, Terminal Block, Torque
91	1375550	Decal, Terminal Torque, Ground Bar
92	1404100	Decal, Terminal Block Torque
93	1609806	Decal, Term Marker, Comm, 9500CC
94	1601326	Decal, Green/Yellow, PE
95	1173574	Decal, PE, Ground Symbol
96	1177815	Decal Terminal Marker, Output 1, CMC
97	1177823	Decal, Terminal Marker, Output 2, CMC
98	117864	Decal, Terminal Marker, Comm BD, CMC
99	117849	Decal, Terminal Marker, Input BD, CMC
100	1601290	Decal Term Marker, 9500CC, 12 PT, LH
101	1601289	Decal, Term Marker, 9500CC, 12 PT, RH



# Main Panels

## Panel, BASIC, 380V, CE, 1600629



Ref.	Original Part No.	Substitute Part No.	Description
1	0608224		Nut, 5/16-18, Hex A563
2	1601326		Decal, Green/Yellow, "PE"
3	0634535		Decal, "Caution", Main Panel
4	1600065		Badge, BASIC Panel
5	1600042		Decal, Zimm. BOSS/BASIC, Inner
6	0608489		Nut, #10-32, Hex
7	0642678		Nut, 1/4-20, Lock, Nylon Insert
8	0912485		Decal, "Machine Ground"
9	0972638		Decal, "Warning", Main Panel
10	1493550		Decal, Label, C-Tick, CE-Aus-NZ
11	1600895		Decal, Danger, Caution, Tow
12	0992305		Switch, Toggle, SPDT, On-On
13	1028992		Screw, #10-24 x 1/2", Hex
14	1375550		Decal, Terminal Torque, Gndbar

Ref.	Original Part No.	Substitute Part No.	Description
15	1177328		Decal, Schem., 10W, BASIC, CE
16	1152842		Decal, EMP. ID, Assy/Wiring
17	1286470		Decal, Ground Symbol
18	1180157		Washer, Lock, #10, Internal Tooth
19	1191520		Instructions, BASIC, Trblshooting
20	1191800		Decal, Component ID, BASIC
21	1600075		Decal, Door, Zimmatic by Lindsay
22	1174754		Decal, Label, Manufacture, CE
23	1174705		Shield, Comp., Inner Door
24	1399740		Decal, Term. Tq., GEC, Gnd. Lug
25	1173574		Decal, P.E., Ground Symbol
26	1190470		Decal, Terminal Torque
27	1600499		Ring, Retainer, Push-On, 1/8"

# Main Panels

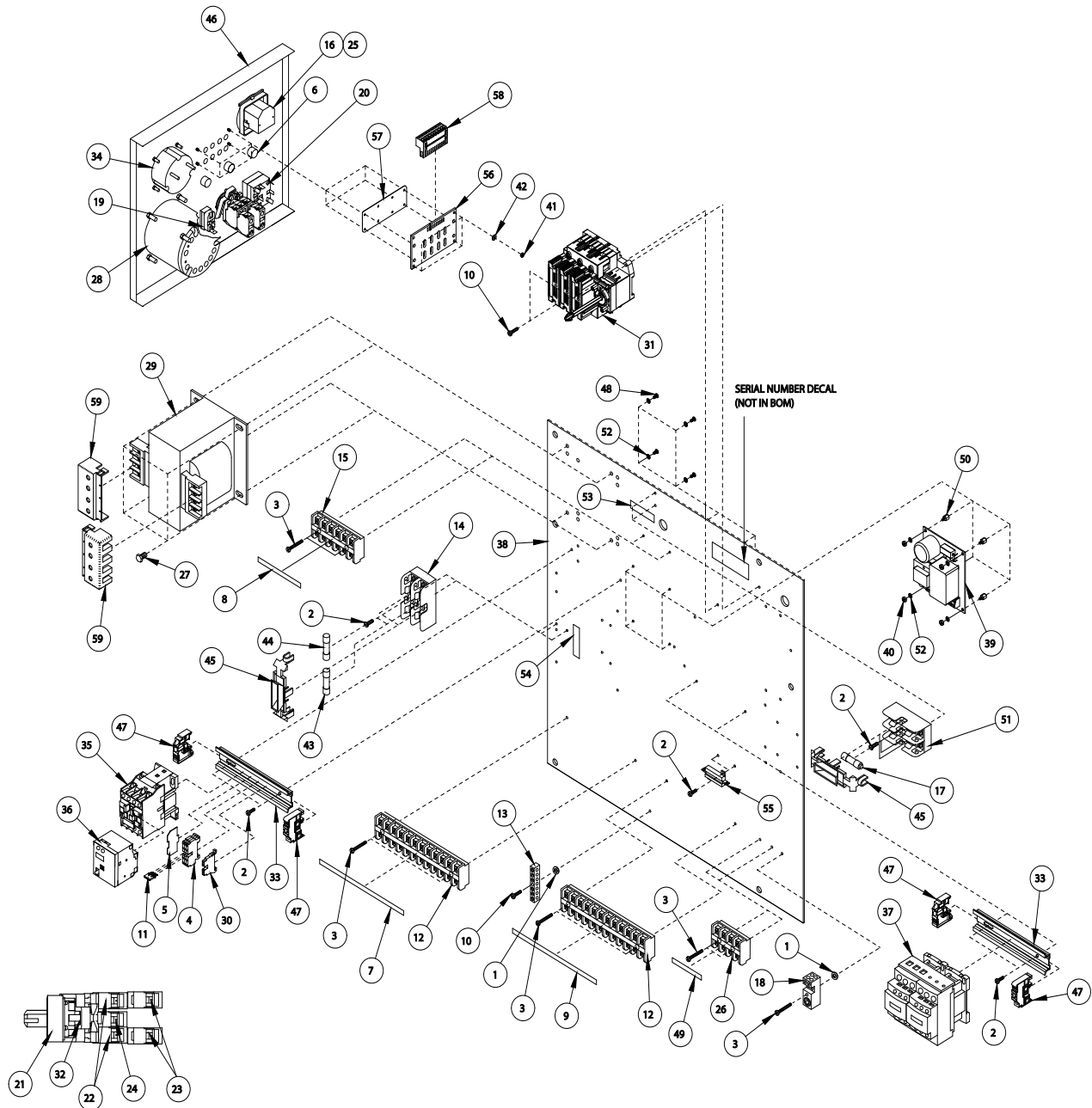


This page is left blank intentionally



# Main Panels

## Back Panel for BASIC, 380V, CE, 1600629





# Main Panels

## Back Panel for BASIC, 380V, CE, 1600629

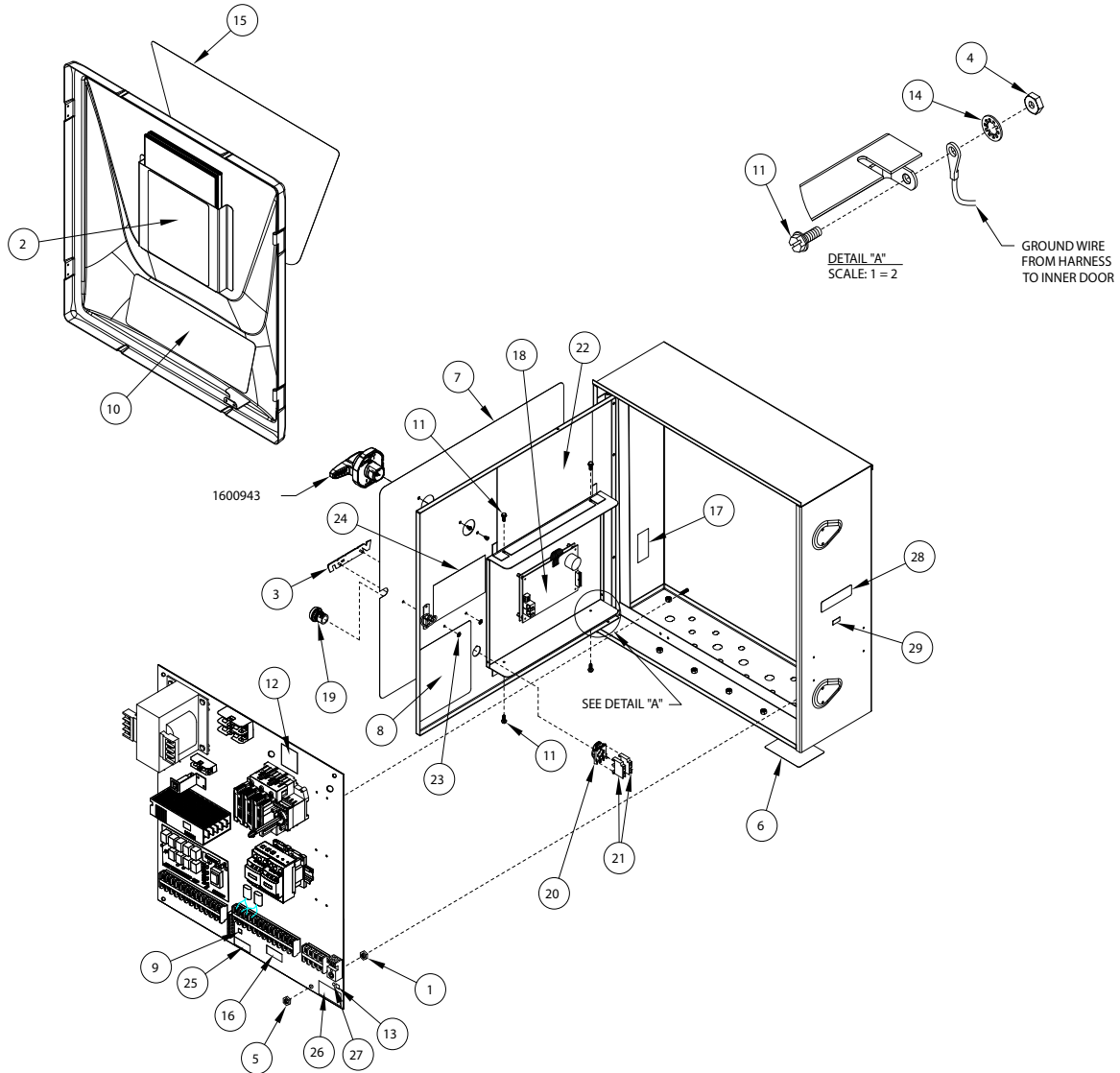
Ref.	Original Part No.	Substitute Part No.	Description
1	0608448		Washer, Lock, 1/4", I-Tooth
2	0608471		Screw, #8-32 x 3/8", Ph. Pn Hd,#23
3	0608505		Screw, #8-32 x 1", Ph. Pan Hd, #23
4	1238680		Block, Terminal, Clamp, 4
5	1238730		Block, Terminal, Clamp, 4, End
6	1198600		Plug, Hole, Nylon, 7/16"
7	0643478		Decal, Term., Mark, Term Blk 3, 10
8	0643510		Decal, Term., Mark, Term Blk. 2
9	0643528		Decal, Term., Mark, Term Blk 1, 10
10	0645531		Screw, #8-32 x 3/4", Pan Hd. Phil.
11	1281180		Block, Terminal, Clamp 3, Jumper
12	0976027		Block, Terminal, 12 Pt., #CR151B2
13	0976316	1610341	Bar, Ground Term., 6-#14, 6-#8
14	0988709		Fuseholder, 600V, 30A, 2 Pole
15	0990598		Block, Terminal, 6 Pt., #CR151B65
16	0991323		Timer, Hrmeter, Pnl. Mt., w/o BZL
17	1600469		Fuse, 1.25Amp,600VAC, Class CC
18	0992081		Terminal, Lug,2#2/0, 4#4-14,#10
19	0992321		Switch, Toggle, SPST
20	0992867		Switch, Toggle, 3 PDT, On-On
21	1400200		Switch, Oper., 3 Pos., Spring Ret.
22	1400210		Switch, Block, N.O., #101
23	1400230		Switch, Block, N.O., E'Y Make
24	1400240		Switch, Block, N.C., Late Brk.
25	1099936		Bezel, Hour Meter
26	0976043		Block Term.,4Pt.,#CR151BA46AF
27	1130624		Screw, 1/4-20 x 3/8", Hex
28	1147545		Timer, Percent, 60 Sec., Solid St.
29	1600227		Transfmer, 380/400/415V, 750 VA
30	1238640		Block, Terminal Clamp, 2, Gnd.
31	1600943		Disconnect, IEC, Fused, 194R-D

Ref.	Original Part No.	Substitute Part No.	Description
32	1400260		Switch, Operator, Base
33	1160449		Rail, Din, 5.875"
34	1173798		Meter, 600V, CE
35	1173913		Relay, 2 N.O., 2 N.C., Latch
36	1173920		Latch, Relay, 120V
37	1189210	1608449	Contactora,3 Ph.,Rev,20HP @480V
38	1178052		Panel, Back, All
39	1174655		Board, P.C., 2 Sec. Delay
40	1096726		Nut, #4-40, Hex
41	0622001		Nut, #6-32, Hex
42	1050715		Washer, #6, Lock, Internal Tooth
43	1174879		Fuse, 1.25 Amp, 500V, DEDT
44	0990648		Fuse, 5 Amp, 500V, DEDT
45	1173525		Cover, Fuse Holder, CE\
46	1600507		Panel, Insert, BASIC
47	1174671		Rail, Din, End Stop
48	1107077		Screw, #4-40 x 1/4, Pan Hd. Slot
49	1178334		Decal, Term. Marker, 480 Aims+
50	1178623		Spacer, Male/Female, #4-40, Hex
51	1268000		Fuseholder, 600V, 30A, 2 Pole
52	1177542		Washer, #4, Lock, Internal Tooth
53	1600312		Decal, Fuse Size (2), 3.2 Amp, CC
54	1183311		Decal, Fuse Size 1.25 -5 Amp
55	1211590		Resistor Ass'y, 2K, 25W
56	1343260		Board, PC, BASIC, LED
57	1345020		Gasket, LED Board
58	1343470		Conn., Plug, 10 Pos., Edge
59	1150168		Cover, Trnsfmr Term., 9070FS



# Main Panels

## Panel, VISION, 380V, CE, 1600631





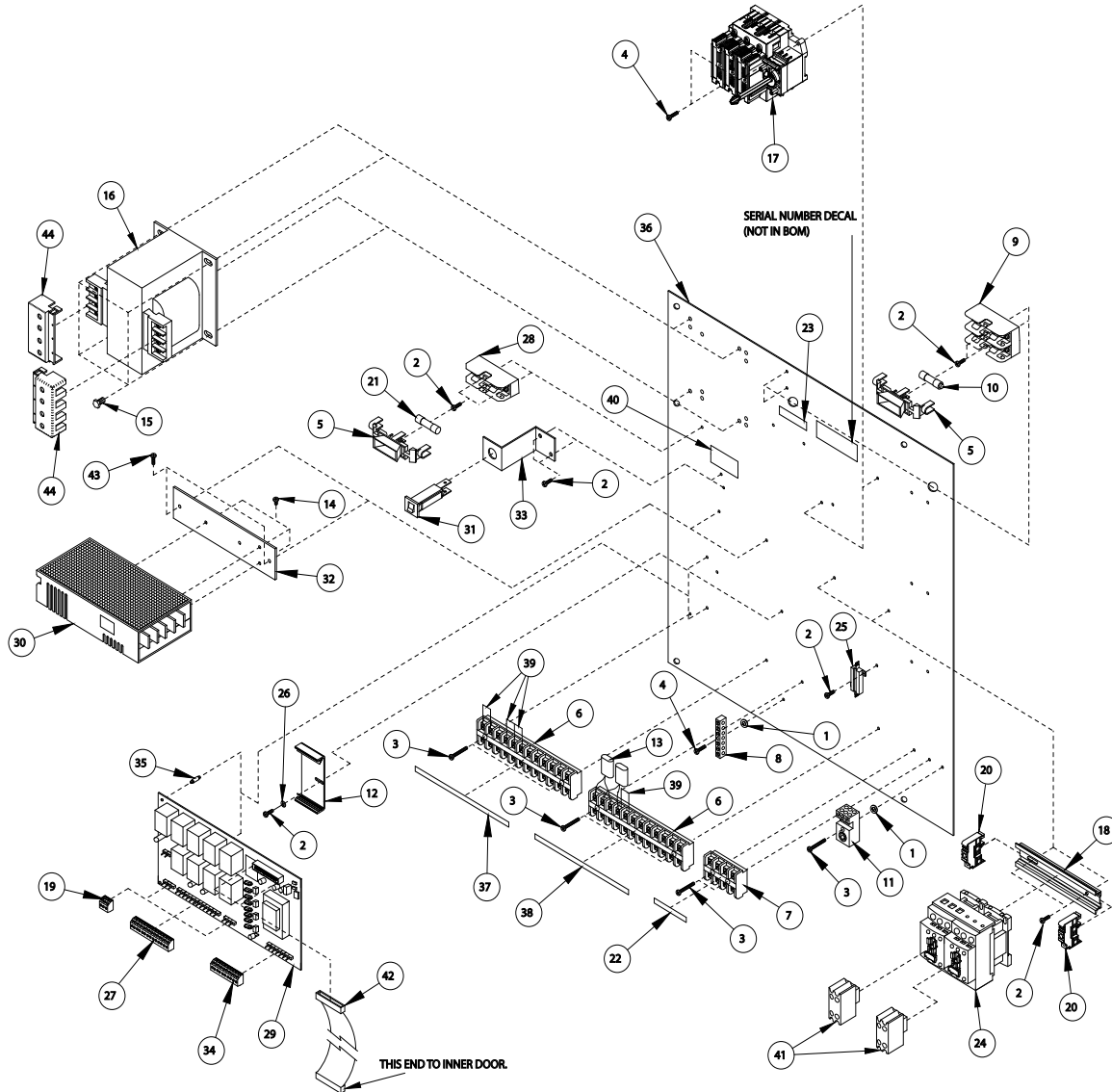
## Main Panels

### Panel, VISION, 380V, CE, 1600631

Ref.	Original Part No.	Substitute Part No.	Description
1	0608224		Nut, 5/16", Hex
2	0634535		Decal, "Caution", Main Panel
3	1600066		Badge, VISION Panel
4	0608489		Nut, #10-32, Hex
5	0642678		Nut, 1/4-20, Lock, Nylon Insert
6	0912485		Decal, "Machine Ground"
7	1600041		Decal, Zimmatic, Inner Door
8	0972638		Decal, "Warning"
9	1286470		Decal, Ground Symbol
10	1600895		Decal, "Danger", Tow; "Caution", RST
11	1028992		Screw, #10-24 x 1/2", Hex, S.T.
12	1152842		Decal, EMP ID, Assy/ Wiring
13	1173574		Decal, Protective Earth (GRD)
14	1180157		Washer, Lock, #10, I-Tooth
15	1600075		Decal, Door, Zimmatic By Lindsay
16	1190470		Decal, Terminal Torque
17	1221810		Clamp, Ribbon Cable,
18	1600090		Module, Assy, VISION Panel
19	1335360		Switch, Push, Momen, Black, AB
20	1335370		Switch, Contact Latch, AB
21	1335400		Switch, NO, Contact Block, AB
22	1505910		Decal, Schematic, VISION, 380mV, CE
23	1600499		Ring, Retainer, Push-On, 1/8"
24	1358430		Decal, Block, VISION
25	1375550		Decal, Term. Torque, Gndbar
26	1399740		Decal, Term. Torque, GEC, Gnd Lug
27	1601326		Decal, Green/Yellow, "PE"
28	1174754		Decal, Label Manufacture, CE
29	1493550		Decal, Labell, C-Tick, CE-Aus-NZ

# Main Panels

## Back Panel for VISION, 380V, CE, 1600631





# Main Panels

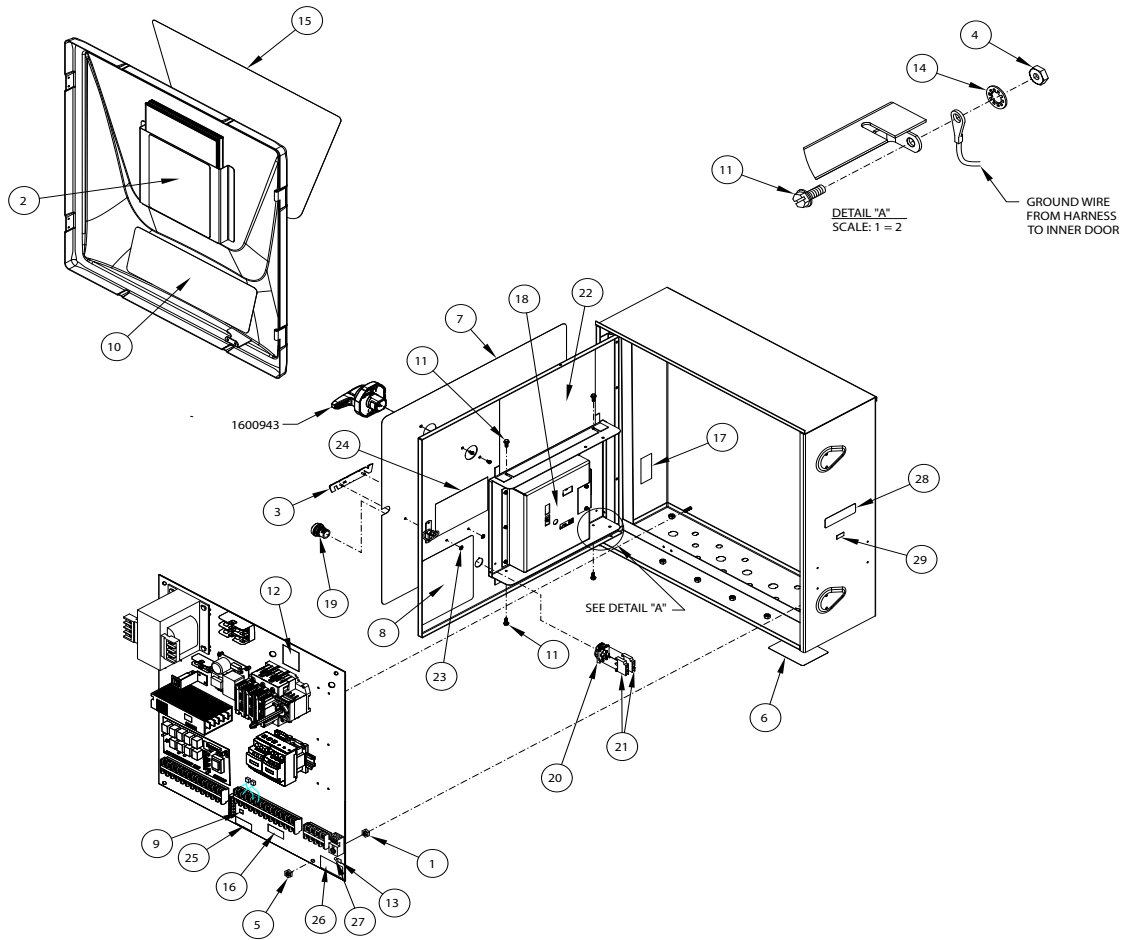
## Back Panel for VISION, 380V, CE, 1600631

Ref.	Original Part No.	Substitute Part No.	Description
1	0608448		Washer, Lock, 1/4", I-Tooth
2	0608471		Screw, #8-32 x 3/8", Ph. Pn Hd, #23
3	0608505		Screw, #8-32 x 1", Ph. Pan Hd, #23
4	0645531		Screw, #8-32 x 3/4", Ph. Pan Hd, #23
5	1173525		Cover, Fuseholder, CE
6	0976027		Block, Term., 12 Pt, CR151B26AF
7	0976043		Block, Term., 4 Pt. CR151BA46AF
8	0976316	1610341	Bar, Ground Terminal, 6-#14, 6-#8
9	1268000		Fuseholder, 600V, 30A, 2 Pole
10	1600469		Fuse, 3.2 Amp, 600VAC, Class CC
11	1483560		Terminal Lug, 2- #2/0, 6-#4-14
12	1341030		Snaptrack, 4" x 2"
13	1489340		Snubber, RC, 250 VAC, CE
14	1170707		Screw, #4-40 x 1/4", Pan Hd., Slot
15	1130624		Screw, 1/4-20 x 3/8", Hex
16	1600227		Transformer, 380/400/415V, 750VA
17	1600943		Disconnect, IEC Fused, 194R-D
18	1160449		Rail, Din, 5.875"
19	1173772		Connector, Plug, 5MM, 3 Pos.
20	1174671		Rail, Din, End
21	1174879		Fuse, 1.25 Amp, 500V, DETD
22	1178334		Decal, Terminal Marker
23	1600312		Decal, Fuse Size (2) 3.2 Amp, CC
24	1189210	1608449	Contact, 3P Rev, 20HP @ 480VAC
25	1215120		Resistor Assy, 2K, 25W
26	0639682		Washer, #8, Flat
27	1240120		Connector, Plug, 5 MM, 12 Pos.
28	1263960		Fuseholder, 600V, 30A, 1 Pole
29	1335240		Board, PC, Relay, VISION
30	1335280		Power Supply, 12V, 50W, SWS
31	1335310		Breaker, Therm. Circuit, 5 Amp
32	1336350		Bracket, SWS PS Mounting
33	1336370		Bracket, Circuit Break Mount
34	1337070		Connector, Plug, 5MM, 7 Position
35	1433000		Spacer, Plastic, Lock, .375 x .125
36	1337730		Panel, Back, VISION
37	1338370		Decal, Term. Marker, VISION-1
38	1338380		Decal, Term. Marker, VISION-2
39	1340070		Term. Block, ACC, Jumper, CR151
40	1340460		Decal, Fuse Size 1.25 - 5 Amp
41	1321040		Contact, Aux, LADN11
42	1338600		Cable, Ribbon, 29", 26 Conductor
43	1183348		Screw, #8-32 x 1/2", Pan Hd., Phil.



# Main Panels

## Panel, VISION, Lateral, 380V, CE, 1600500

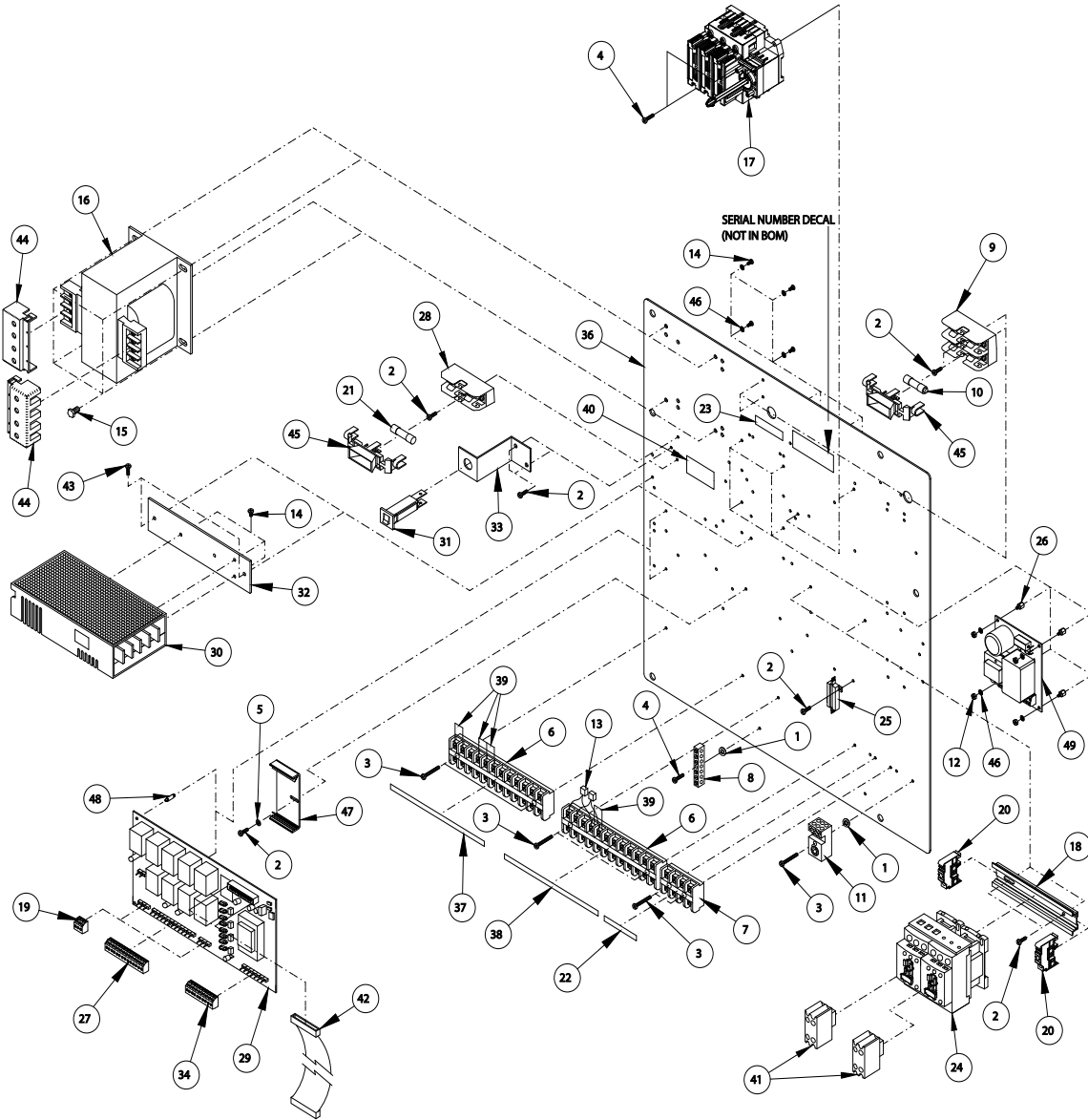


Ref.	Original Part No.	Substitute Part No.	Description
1	0608224		Nut, 5/16-18, Hex, A563
2	0634535		Decal, "Caution", Main Panel
3	1600066		Badge, VISION Panel
4	0608489		Nut, #10-32, Hex
5	0642678		Nut, 1/4-20, Lock, Nylon Ins.
6	0912485		Decal, "Danger", Machine Ground
7	1600041		Decal, VISION, Inner Door
8	0972638		Decal, "Warning"
9	1286470		Decal, Ground Symbol
10	1600895		Decal, "Danger-Caution"
11	1028992		Screw, #10-32 x 1/2", Hex
12	1152842		Decal, EMP ID ASSY Wiring
13	1173574		Decal, PE Ground Symbol
14	1180157		Washer, #10, Lock, Int. Tooth
15	1600075		Decal, Door, Zimmatic by Lindsay

Ref.	Original Part No.	Substitute Part No.	Description
16	1190470		Decal, Terminal Torque
17	1221810		Clamp, Ribbon Cable, 2" Wide
18	1600487		Module, Assy, VISION, Lateral
19	1335360		Switch, Push, Moment, Black
20	1335370		Switch, Contact Latch
21	1335400		Switch, N/O, Contact Block
22	1600634		Decal, Schematic, VISION, 380
23	1600499		Ring, Retainer, Push-On, 1/8"
24	1358430		Decal, Block, VISION
25	1375550		Decal, Terminal Torque, Gnd. Bar
26	1399740		Decal, Term. Tq., Ground Lug
27	1601326		Decal, Green/Yellow, "PE"
28	1174754		Decal, Label, Manufacture, CE
29	1493550		Decal, Label, C-Tick, CE-AU-NZ

# Main Panels

## Back Panel for VISION, Lateral, 380V, CE, 1600500





# Main Panels

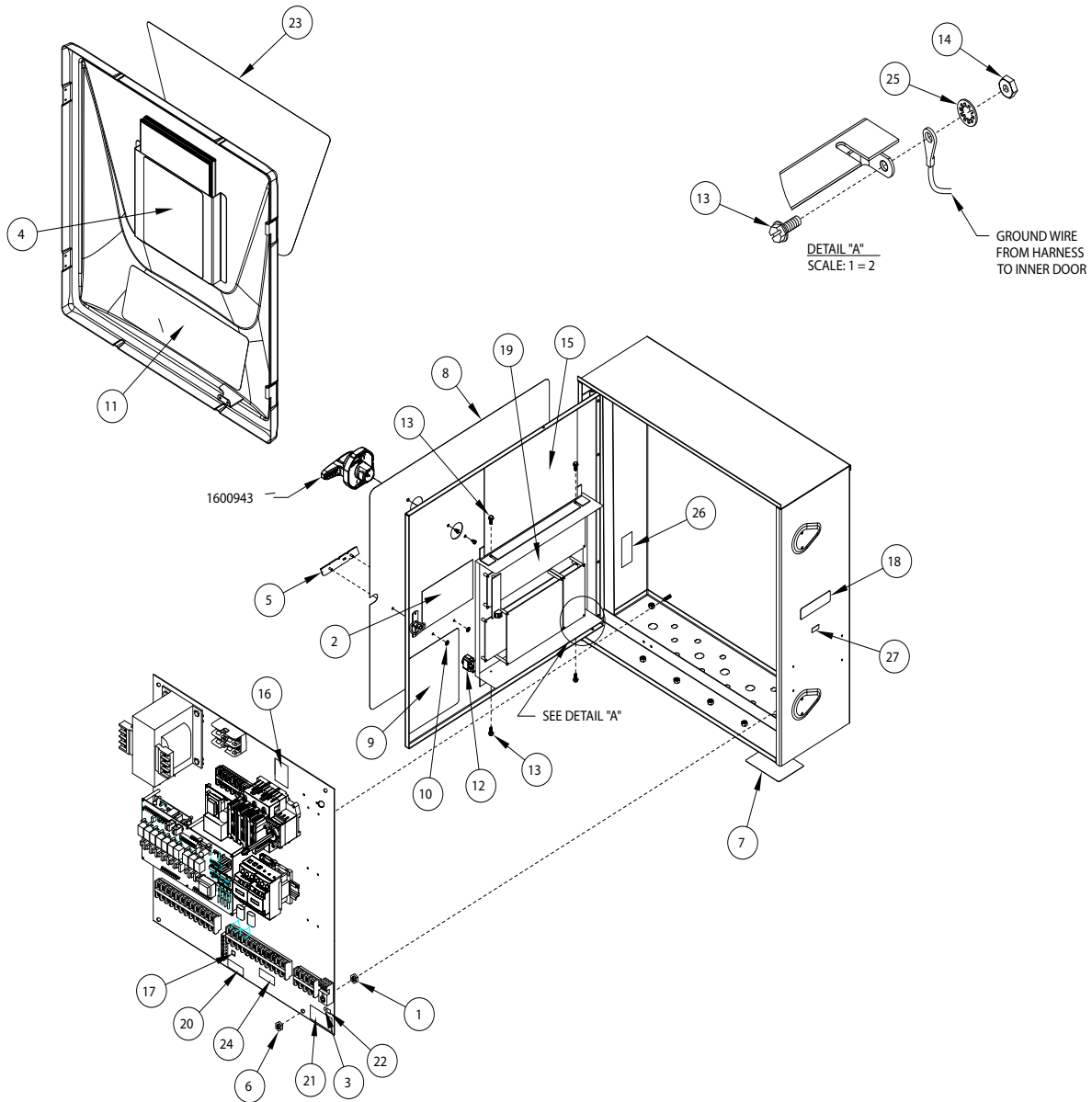
## Back Panel for VISION, Lateral, 380V, CE, 1600500

Ref.	Original Part No.	Substitute Part No.	Description
1	0608448		Washer, 1/4", Lock
2	0608471		Screw, #8-32 x 3/8", Ph. Pn. Head
3	0608505		Screw, #8-32x 1", Ph. Pn. Head
4	0645531		Screw, #8-32x 3/4", Ph. Pn. Head
5	0639682		Washer, #8, Flat
6	0976027		Block Terminal, 12 PT, #CR151B2
7	0976043		Block Term., 4 PT, #CR151846AF
8	0976316	1610341	Bar, Ground, Term., 6-#14, 6-#8
9	1268000		Fuseholder, 600V, 30A, 2-Pole
10	1600469		Fuse, 3.2 Amp, 600 VAC, Class CC
11	1483560		Terminal, Lug, 2-#2/0, 6-#4-14
12	1096726		Nut, #4-40, Hex
13	1489340		Snubber, RC, 250 VAC, CE
14	1107077		Screw, #8-40 x 1/4", Sl. Pn. Head
15	1130624		Screw, 1/4-20 x 3/8", Hex
16	1600227		Transformer, 380/400/415V, 750A
17	1600943		Disconnect, IEC Fused, 194R-D
18	1160449		Rail, Din, 5.875"
19	1173772		Connector, Plug, 5mm, 3 Position
20	1174671		Rail, Din, End Stop
21	1174879		Fuse, 1.25 A, 500V, DETD
22	1178334		Decal, Term., Marker, 480 AIMS
23	1600312		Decal, Fuse Size, 3.2 A, CC
24	1189210	1608449	Contactor, 3P, Rev, 20HP @ 480V
25	1215120		Resistor, Assy, 2k, 25W, BOSS
26	1178623		Spacer, Male/Female, .25 Hex 4-40
27	1240120		Connector, Plug, 5mm, 12 Position
28	1263960		Fuseholder, 600V, 30A, 1 Pole
29	1335240		Board, PC, Relay, VISION
30	1335280		Power, Supply, 12V, 50W, SWS
31	1335310		Breaker, Therm. Circuit, 5A
32	1336350		Bracket, SWS, PS Mounting
33	1336370		Bracket, Circuit Breaker Mount
34	1337070		Connector, Plug, 5mm, 7 Position
35	1503050		Ferrite, Clamp, Ring, 0461164181
36	1337730		Panel, Back, VISION
37	1338370		Decal, Term., Mark, VISION-1
38	1338380		Decal, Term., Mark, VISION-2
39	1340070		Term. Block, ACC, Jumper, CR151
40	1340460		Decal, Fuse Size, 1.25-5 A, CB
41	1321040		Contact, Aux, LADN11
42	1338600		Cable, Ribbon, 29", 26 Conductor
43	1183348		Screw, #8-32 x 1/2", Ph. Pn. Head
44	1150168		Cover, Trnsfrmer Term, 9070FSC2
45	1173525		Cover, Fuseholder, CE
46	1177542		Washer, #4, Lock, Int. Tooth
47	1341030		Snaptrack, 4" x 2"
48	1433000		Spacer, Plastic, Lock, .375 x .125
49	1174655		Board, PC. 2 Second Delay



# Main Panels

## Panel, BOSS, 380V, CE, 1600661





## Main Panels

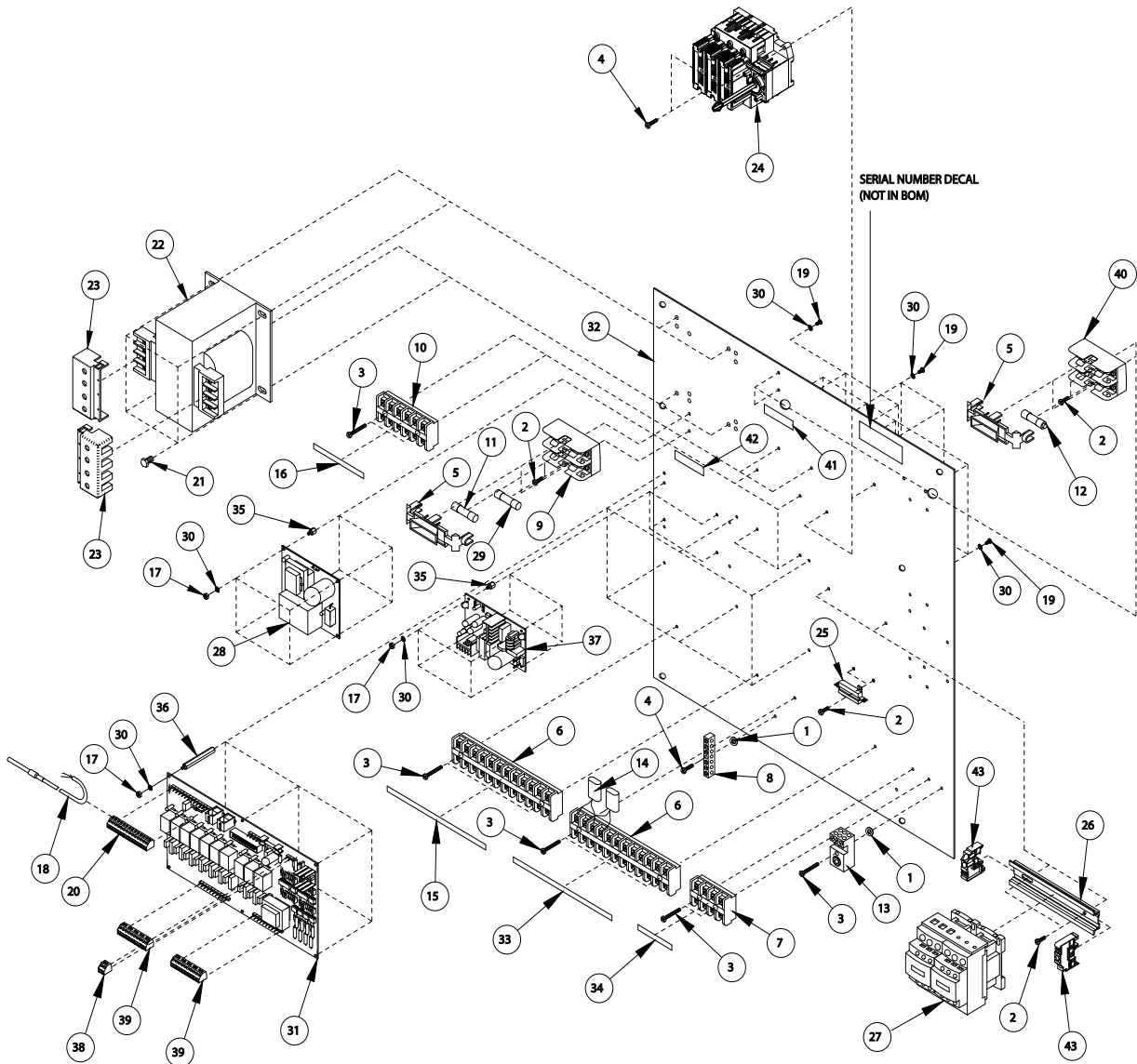
### Panel, BOSS, 380V, CE, 1600661, continued

Ref.	Original Part No.	Substitute Part No.	Description
1	0608224		Nut, 5/16-18, Hex
2	1181098		Decal, Block, BOSS
3	1601326		Decal, Green/Yellow, "PE"
4	0634535		Decal, "Caution", Main Panel
5	1600067		Badge, BOSS Panel
6	0642678		Nut, 1/4-20, Lock, Nylon Insert
7	0912485		Decal, "Machine Ground"
8	1600042		Decal, Zimmatic, BOSS/BASIC, Inner
9	0972638		Decal, "Warning"
10	1600499		Ring, Retainer, Push-On, 1/8"
11	1600895		Decal, "Danger": Tow, "Caution": RST
12	0992305		Switch, Toggle, SPDT, On-On
13	1028992		Screw, #10-24 x 1/2", Hex, S.T.
14	0608489		Nut, #10-32, Hex
15	1505900		Decal, Schematic, BOSS, 380mV, CE
16	1152842		Decal, EMP ID, Assy/Wiring
17	1286470		Decal, Ground Symbol
18	1174754		Decal, label, Manufacture, CE
19	1600089		Module Assy, BOSS Panel
20	1375550		Decal, Terminal Torque, Gdnbar
21	1399740		Decal, Term. Torque, GEC, Grnd. Lug
22	1173574		Decal, P.E., Ground Lug
23	1600075		Decal, Door, Zimmatic By Lindsay
24	1190471		Decal, Terminal Torque
25	1180157		Washer, Lock, #10, Internal Tooth
26	1221810		Clamp, Ribbon Cable, 2" Wide
27	1493550		Decal, Label, C-Tick, CE-Aus-NZ



# Main Panels

## Back Panel Assembly for 1600661, CE





# Main Panels

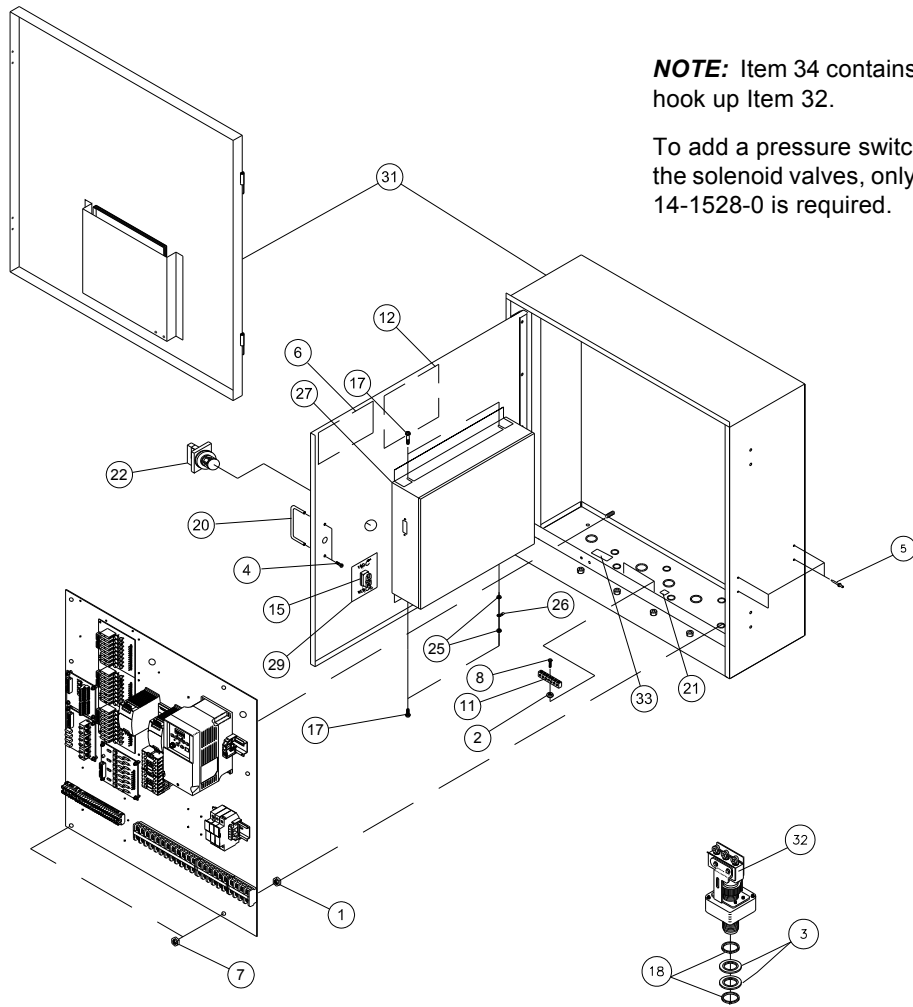
## Back Panel Assembly for 1600661, CE, continued

Ref.	Original Part No.	Substitute Part No.	Description
1	0608448		Washer, Lock, 1/4", I-Tooth
2	0608471		Screw, #8-32 x 3/8", Ph. Pn Hd,#23
3	0608505		Screw, #8-32 x 1", Ph. Pan Hd, #23
4	0645531		Screw, #8-32 x 3/4",Ph. Pn Hd, #23
5	1173525		Cover, Fuse Holder, CE
6	0976027		Block, Term., 12 Pt, CR151B26AF
7	0976043		Block, Term., 4 Pt. CR151BA46AF
8	0976316	1610341	Bar, Ground Terminal, 6-#14, 6-#8
9	0988709		Fuseholder, 600V, 30A, 2 Pole
10	0990598		Block, Terminal, 6 Pt. #CR151B66
11	0990648		Fuse, 5 AMP, 500 Volt, DETD
12	1600469		Fuse, 1.25 AMP, 600 VAC, Class CC
13	1483560		Terminal, Lug, 2#2/0, 6#4-14
14	1489340		Snubber, RC, 250 VAC, CE
15	1092246		Decal, Term., Marker, Aux.
16	1093194		Decal, Term. Marker, 12V
17	1096726		Nut, #4-40, Hex
18	1105253		Sensor, Temperature, Monitor
19	1107077		Screw, #4-40 x 1/4", Sl. Pan Head
20	1109545		Connector, Plug, 5 MM, 14 Pos.
21	1130624		Screw, 1/4-20 x 3/8", Hex, Typ.#23
22	1600227		Transformer, 380V, 5 KVA, CE
23	1150168		Cover, Transformer Terminal
24	1600943		Disconnect, IEC Fused, 194R-D
25	1215120		Resistor, Assy, 2K, 25W, BOSS
26	1160449		Rail, Din, 5.875"
27	1189210	1608449	Contact, 3Ph., Rev, 20HP @ 480V
28	1174655		Board, PC, 2 Second Delay
29	1174879		Fuse, 1.25 AMP, 500V, DETD
30	1177542		Washer, Lock, #4, I-Tooth
31	1177765		Board, PC, Relay, BOSS
32	1178052		Panel, Back, 2001
33	1178326		Decal, Term. Marker, BOSS
34	1178334		Decal, Terminal, Marker, 480
35	1178623		Spacer, Male/Female, .25 Hex 4-40
36	1178631		Spacer, Male/Female, 2" Hex 4-40
37	1178979		Power Supply, BOSS Assy
38	1177229		Connector, Plug, 5mm, 2 Pos.
39	1182765		Connector, Plug, 5 MM, 10 Position
40	1268000		Fuseholder, 600V, 30A, 2 Pole
41	1600312		Decal, Fuse, Size (2) - 1.25 AMP, CC
42	1183311		Decal, Fuse, Size, 1.25-5 AMP
43	1174671		Rail, Din, End Stop



# Main Panels

## Panel, Processor, 9500CC, 1227240



**NOTE:** Item 34 contains plumbing to hook up Item 32.

To add a pressure switch to control the solenoid valves, only Item 35, PN 14-1528-0 is required.

Ref.	Original Part No.	Substitute Part No.	Description
1	6-0822-4		Nut, 5/16-18, Hex
2	6-0844-8		Washer, Lock, 1/4", I-Tooth
3	6-2158-1		Washer, Reducing, 3/4 x 1/2, Cond.
4	6-2470-0		Screw, #8-32 x 1/2", Sl. Pn. Hd.
5	6-3563-1		Rivet, 1/8", Klik Fast 770-2758
6	6-3926-0		Decal, "Danger", 480V
7	6-4267-8		Nut, 1/4-20, Lock, Nylon Insert
8	6-4553-1		Screw, #8-32 x 3/4", Ph. Pn. Hd,#23
9	9-0824-4		Base, Wire Tie Support
10	9-7608-4		Terminal, Wire, B, #16-14, Spade 6
11	9-7631-6	1610341	Bar, Ground Terminal, 6-#14, 6-#8
12	9-8915-2		Decal, "Caution", Restart
13	9-9211-5		Terminal, Slip-On, 16-14-1/4"
14	9-9226-3		Terminal, 1/4 Slip-On, Piggy-Back
15	9-9287-5		Switch, Toggle, Mom.ON-OFF-ON
16	9-9341-0		Suppressor, ARC, 200 VDC
17	10-2899-2		Screw, #10-24 x 1/2",Hex, Self-Tap
18	10-9500-9	09-9156-2 09-9155-4	Nut, Conduit, 1/2", Lk, Zn O-Ring, 1/2", Conduit

Ref.	Original Part No.	Substitute Part No.	Description
19	11-4485-6		Cable, Electric, 15 Cond., 24 AWG
20	11-6055-5		Handle, Inner Door
21	11-7357-4		Decal, P.E., Ground Symbol
22	11-7731-0		Switch, Rotary Power, 8 PST, 30A
23	11-7746-8		Ring Ferrite Core R50
24	11-7779-9		Clamp Retainer, Ribbon Cable
25	11-8015-7		Washer, Lock, #10, I-Tooth
26	11-8016-5		Terminal, Wire, #14-16, Ring, #10
27	15-1191-0		Module Assy, MF2,Reject 1239180
28	12-4019-0		Cable Assembly, RS484, 9"
29	12-8651-0		Decal, "FWD/REV"
30	12-8868-0		Cable Assembly, FJ45 to FJ11, 48"
31	12-9118-0		Box Assembly, Processor
32	13-4490-0	1608417	Switch, Pressure, 2-50 PSI
33	13-7555-0		Decal, Terminal Torque,Groundbar
34	14-1192-0		Kit, Pressure Switch Hook-Up
35	14-1528-0		Kit, MF2, Processor Panel, Prs Sw.

# Main Panels

## Back Plate for 1227240

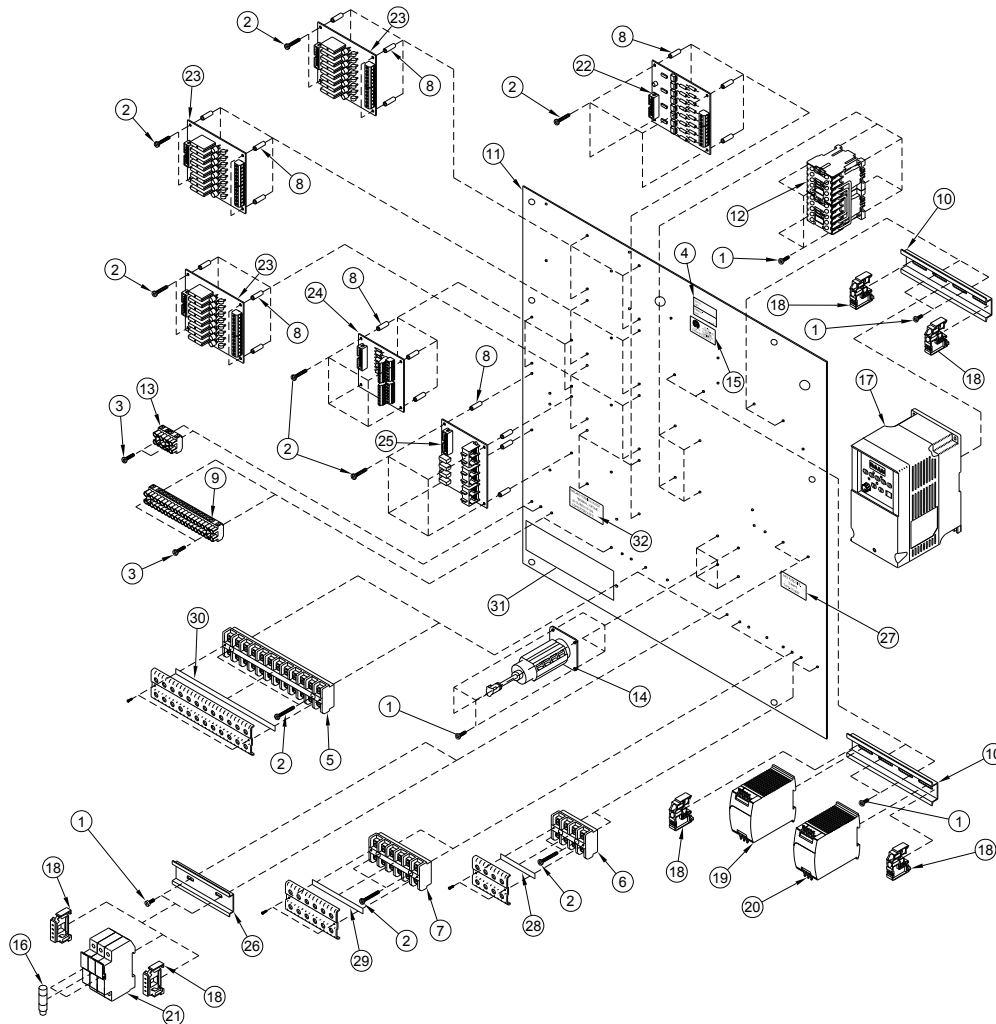


Figure 1

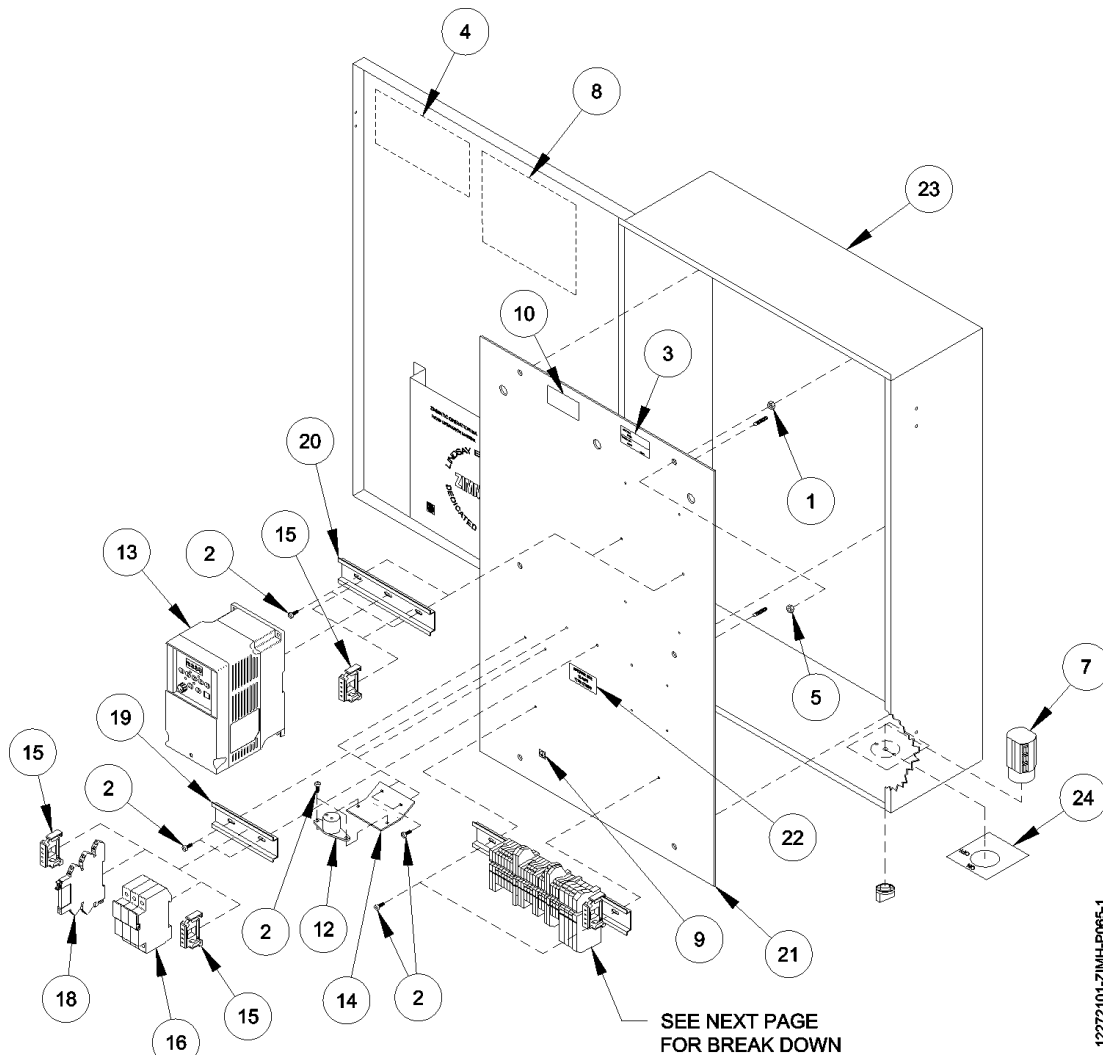
Ref.	Original Part No.	Substitute Part No.	Description
1	6-0847-1		Screw,#8-32 x 3/8",Ph. Pan Hd,#23
2	6-0850-5		Screw, #8-32 x 1", Ph. Pan Hd, #23
3	6-3249-7		Screw, #8-32 x 5/8",Ph. Pan Hd,#23
4	6-3662-1		Decal, Built Tested
5	9-7602-7		Block, Term., 12 Pt., CR151B26AF
6	9-7604-3		Block, Term., 4 Pt., CR151BA46AF
7	9-9059-8		Block, Terminal, 6 Pt.,CR151B66AF
8	10-9213-9		Spacer, #8 x 5/8"
9	11-0331-6		Block, Terminal, 20 PT., #31F3442
10	11-6044-9		Rail Din, 5.875
11	11-6544-8		Panel, Back
12	11-7718-7		Contact, 4 Pole, Rev. Int., Mini
13	11-7724-5		Block, Term., 4 Pt., #31F2437
14	11-7731-0		Switch, Rotary Power, 8 PST, 30A
15	11-7960-5		Decal, ETL
16	1602194		Fuse, 15 Amp, 600V, Class CC
17	1155662		Drive, VF, 5 HP, A-B PowerFlex4

Ref.	Original Part No.	Substitute Part No.	Description
18	12-3477-0		Term. Block, ACC. 1492-ERL35
19	12-3509-0		Power Supply, 5-5V DC/25W
20	12-3510-0		Power Supply, +/-12/15V DC, 36W
21	12-3514-0		Fuse Block, Triple, 30A-CC
22	14-8208-0		Board, Input, MXFD PII,2010
23	14-8209-0		Board, Output, MXFD PII,2010
24	12-3654-0		Board, Guidance
25	12-3655-0		Board, Communication
26	12-4159-0		Rail, Din, 100 MM, 3-15/16"
27	1602354		Decal, Fuses, VFD, 15A, CC
28	12-6059-0		Decal, Terminal Marker, 4 Pt.
29	12-6060-0		Decal, Terminal Marker, 6 Pt.
30	12-6061-0		Decal, Terminal Marker, 12 Pt.
31	12-6062-0		Decal, Terminal Marker, Comm.
32	14-0410-0		Decal, Terminal, Block, Torque



# Main Panels

## Panel, Last Tower, 9500CC, 1227210



**NOTE:** Items 11 (Fuse, 10 AMP) are placed inside Item 16 (Fuse Block).

Figure 1

Ref.	Original Part No.	Substitute Part No.	Description
1	6-0822-4		Nut, 5/16-18, Hex
2	6-0847-1		Screw, #8-32 x 3/6", Ph. Pn Hd.#23
3	6-3662-1		Decal, "Built-Tested"
4	6-3926-0		Decal, "Danger", 480V
5	6-4267-8		Nut, 1/4-20, Lock, Nylon Insert
6	9-0824-4		Base, Wire Tie Support
7	9-8866-7		Switch, Rotary Power, 6 PST, 10A
8	9-8915-2		Decal, "Caution", Restart
9	11-7357-4		Decal, Protective Earth (GRD), CE
10	11-7960-5		Decal, ETL
11	11-8348-0		Fuse, 10 AMP, 600V, Class CC
12	12-2401-0		Switch, Tilt
13	12-3260-0		Drive, VF, 3 HP, A-B PowerFlex 4

Ref.	Original Part No.	Substitute Part No.	Description
14	12-3308-0		Mount, Tipover Sw., Last Tower
15	12-3477-0		Terminal Block, ACC. 1492-ER35
16	12-3514-0		Fuse Block, Triple, 30A-CC
17	N/A		Terminal Block Assy (See Nxt Pg)
18	12-3823-0		Relay, SPDT, Din-Mount
19	12-4159-0		Rail, Din, 100 MM, 3-15/16"
20	12-4163-0		Rail, Din, 150 MM, 5-15/16"
21	12-4167-0		Panel, Back
22	12-5223-0		Decal, Fuse Size, 10 AMP
23	12-5393-0		Box, Last Tower, Maxfield
24	12-8652-0		Decal, "ON/OFF", Maxfield
25	12-8800-0		Cable Assy, RJ45, 36"



# Main Panels

## Panel, Last Tower, 9500CC, 1227210, (continued)

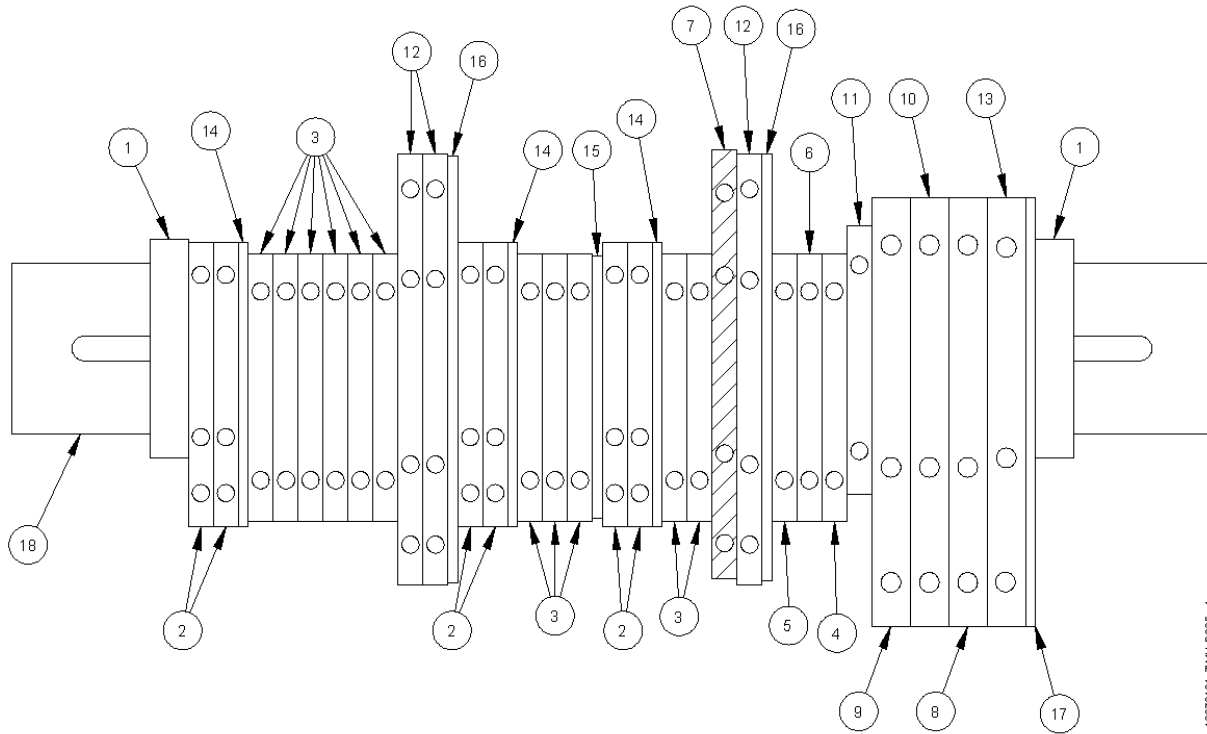


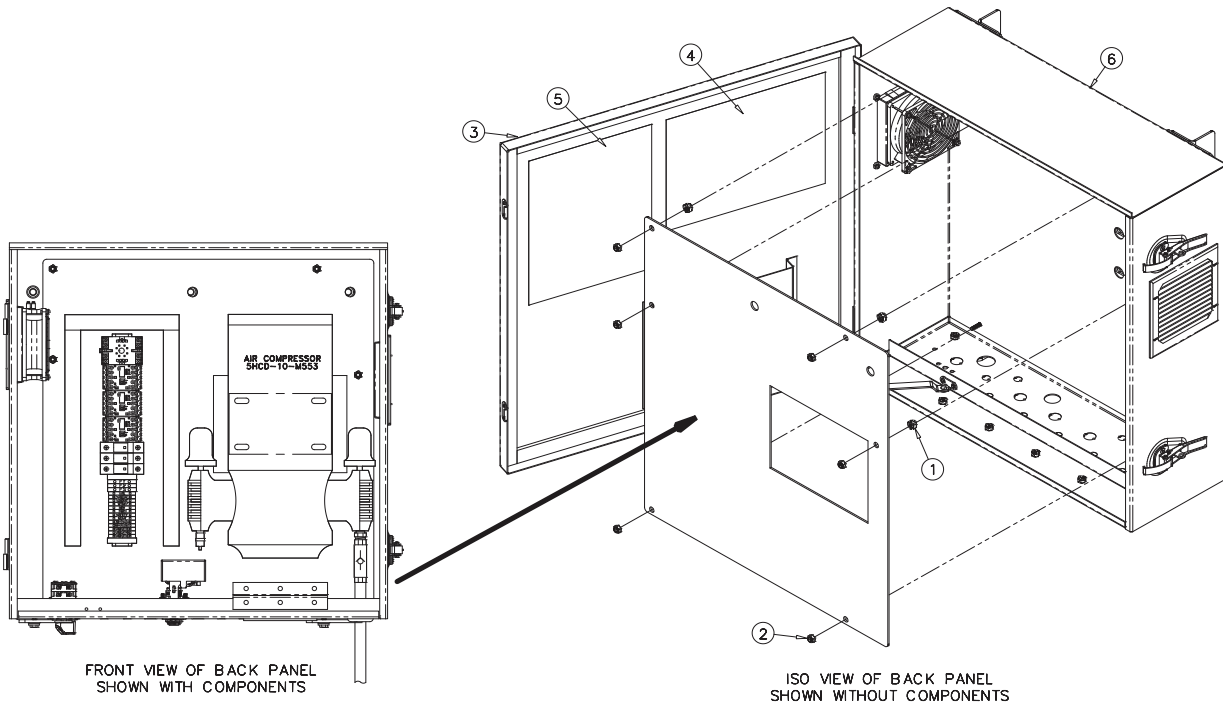
Figure 1

Ref.	Original Part No.	Substitute Part No.	Description
1	12-3477-0		Term. Block, Acc, 1492.ERL35
2	16-0030-7		Term. 1492-L3T 30-12 AWG
3	12-3479-0		Term. 1492-L3[2] 30-12 AWG
4	12-3480-0		Term. 1492-L3-B[2] 30-12 AWG
5	12-3481-0		Term. 1492-L3-BL[2] 30-12 AWG
6	12-3482-0		Term. 1492-L3-RE[2] 30-12 AWG
7	12-3483-0		Term. 1492-L3Q-W[4] 30-12 AWG
8	12-3492-0		Term. 1492-L6T-B[3] 22-8 AWG
9	12-3493-0		Term. 1492-L6T-BL[3] 22-8 AWG
10	12-3494-0		Term. 1492-L6T-RE[3] 22-8 AWG
11	12-3495-0		Term. 1492-LG3[2] 30-12 AWG
12	12-3496-0		Term. 1492-LG3Q[4] 30-12 AWG
13	12-3499-0		Term. 1492-LG6T[3] 22-8 AWG
14	16-0047-8		Term. ACC. 1492-EBL3T,Gray
15	12-3501-0		Term. ACC. 1492-EBL3,Gray
16	12-3503-0		Term. ACC. 1492-EBL3Q-Y,Yellow
17	12-3507-0		Term. ACC. 1492-EBL6T-Y,Yellow
18	12-4164-0		Rail, DIN, 250MM 9.842"0

12272101-ZIM-F065a-1

# Main Panels

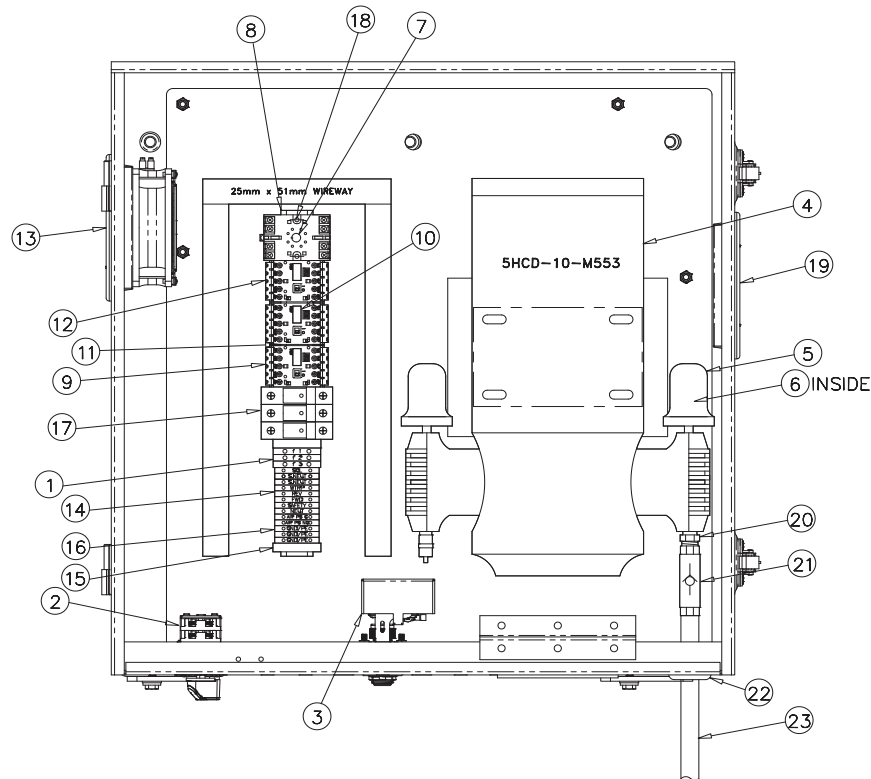
## Panel, Air Compressor 1430710



Ref.	Original Part No.	Substitute Part No.	Description
1	06-0822-4		Nut, 5-16-18, Hx, A563, Gr. A
2	06-4267-8	0602049	Nut, 1/4-20, Lock, Nylon, Ins.
3	12-8237-0		Door, w/Silksrn, Proc, Mxkd PII
4	15-0724-0		Decal, Schematic, Air Comp Pnl
5	15-0976-0		Decal, Wiring Diag, Air Comp Pnl
6	15-1002-0		Box, Air Compr, w/o doors, White

# Main Panels

## Panel, Air Compressor 1430710, continued



**Note 1:** Pressure switch for air compressor must be set to shut off at 100 PSIG and turn on at 40 PSIG unless the water pressure at the corner exceeds 65 PSIG, in which case set the turn on pressure to 75% of the actual water pressure and the shutoff pressure to 100 PSIG.

**Note 2:** Pressure switch for water should be set to activate at between 5 and 10 PSIG. Refer to the Maxfield Installation Manual for Pressure Switch Adjustment.

**Note 3:** Verify that when operating the air compressor fan rotates in the proper direction to move air upward. Reverse the connections of any two of the three phases if necessary to correct.

**Note 4:** Periodically inspect the fan ventilation on all cooling fans. Remove any accumulated dust and dirt from the vents and grills and replace filters (1607515) as necessary. Failure to do so will result in overheating of components and part failure.

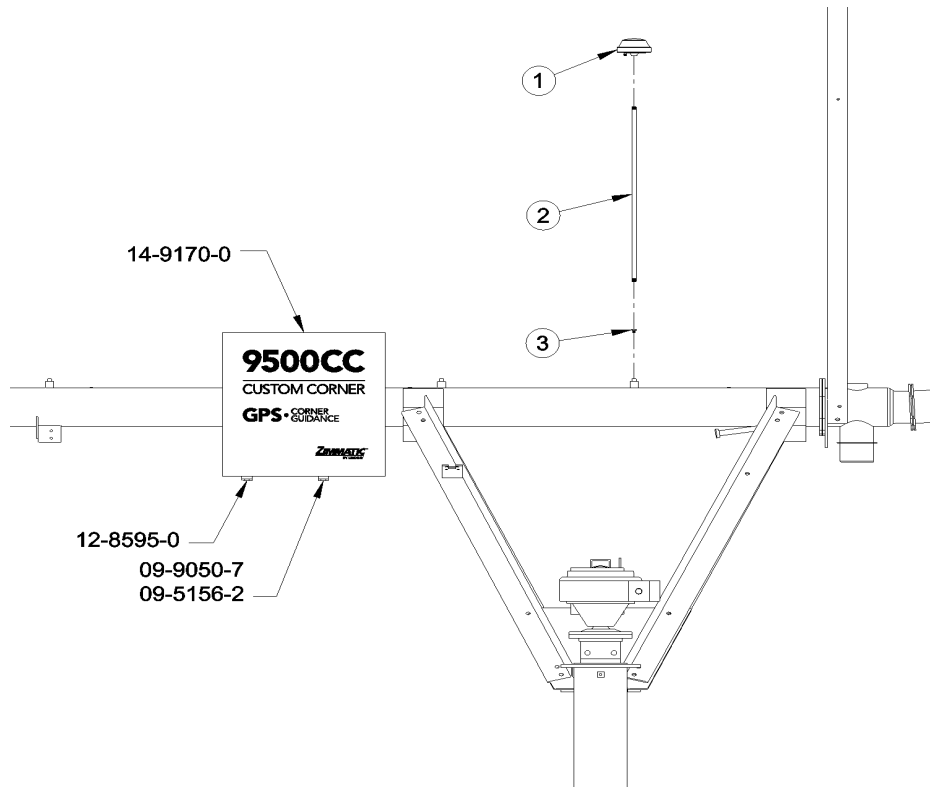
Ref.	Original Part No.	Substitute Part No.	Description
1	1183500		Fuse, 5 Amp, 600V, Class CC
2	1196490		Switch, Rotary, 8 PST, 10 Amp
3	1344900		Switch, Press, 2-50 PSI, w/GND
4	1430700		Air Compressor, 9500CC
5	1508170		Air Filter Assy, 9500CC
6	1508180		Filter, Felt, Air Compressor
7	1508190		Relay, Timer, 120 VAC, Program
8	1508220		Relay Socket, 8 Pin, Din Rail
9	1508230		Contactora, 3P Rev, 5 HP, WEG
10	1508250		Suppressor, Coil, WEG
11	1508260		Contactora, Intlk Block, 3P, Rev

Ref.	Original Part No.	Substitute Part No.	Description
12	1508270		Relay, 4P, 2 NO, 2 NC, 120 VAC
13	1607513		Filter Fan, 39 CFM, SF0516413
14	1508320		Block, Term, Clamp, 2, Red
15	1508330		Block, Term, End Bracket
16	1508350		Block, Term, Clamp, 2, Ground
17	1508360		Block, Fuse Holder, 3P, CC
18	1509280		Spring, Relay Retainer, IDEC SFA
19	1607514		Exhaust Grill, SF0500403
20	1600721		Nipple, Hex, 1/4 x 1/4" NPT
21	1600722		Valve, Check, 1/4" NPT
22	1607519		Grommet, 7/8 ID, 1-1/4 OD
23	1607527		Hose, Pipe, 1/4" x 30'



# Main Panels

## GPS Guidance Processor Panel Position

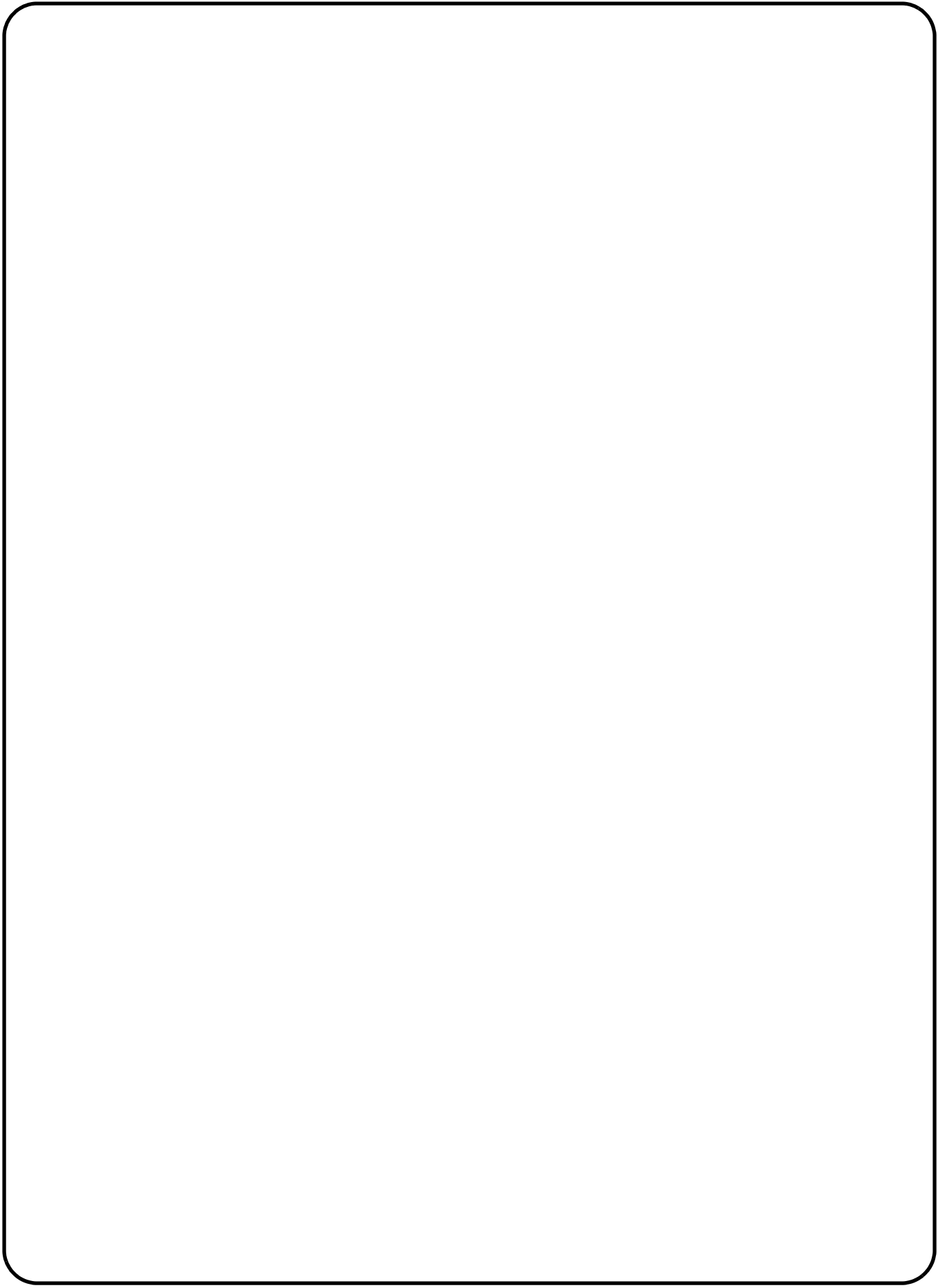


Ref.	Part No.	Description
1	14-7846-15 1601394	Antenna, A21L1, Crescent Antenna, A52 L1/L2, Crescent
2	14-8353-0	Riser Rod, Antenna Mount, GPS
3	06-1955-1	Bushing, Hex, 3/4 x 3/8



## Table of Contents

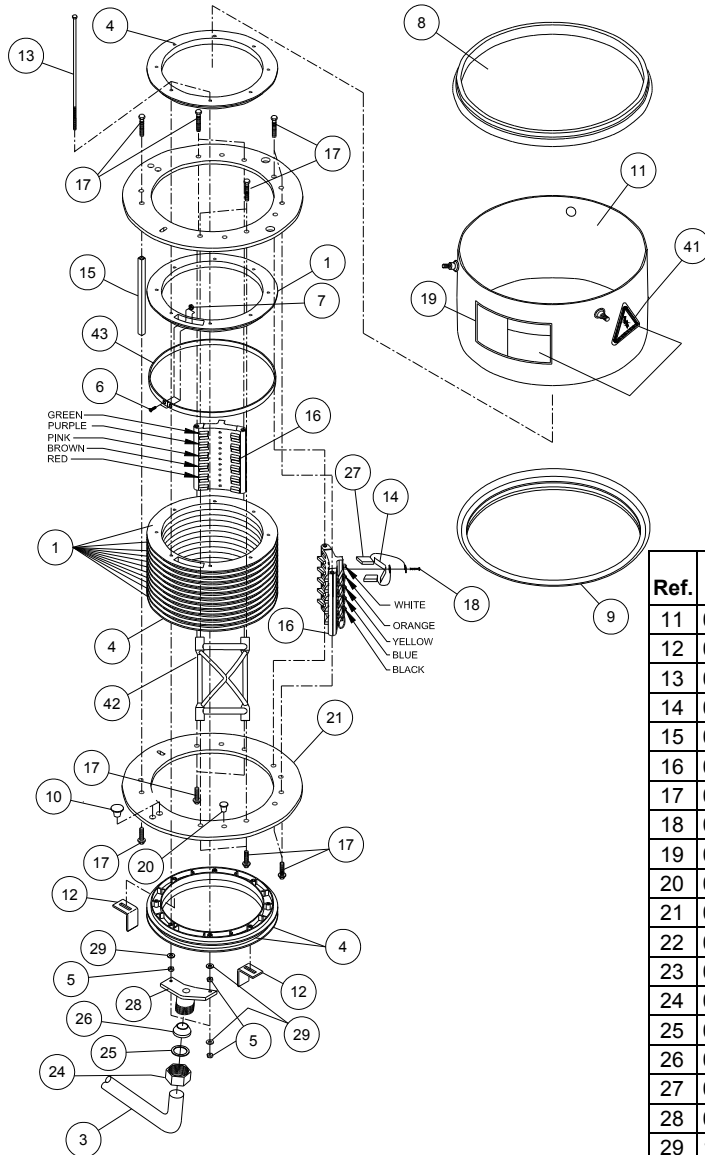
<b>Collector Rings</b> .....	K-3
Collector Ring Assembly, 11 Wire, 03-4899-5 (Beginning w/Serial #17079) .....	K-3
Standard Collector Ring Assembly, 10 Wire, 3-7989-1, Mobile Pivot, 3-7990-9 .....	K-4
Standard Collector Ring Assembly, 10 Wire, CE, 14-8496-0 .....	K-5
Standard Collector Ring Assembly, 11 Wire, CE, 14-8497-0 .....	K-6
Standard Collector Ring Assembly, 12 Wire, CE, 14-8498-0 .....	K-7





# K Collector Rings

## Collector Ring Assembly, 11 Wire, 03-4899-5 (Beginning w/Serial #17079)



**NOTE:** Kit #11-2911-3 (Item 30) includes:

- (3) 03-0860-1 Bracket, Collector Ring
- (1) 03-4629-6 Termifoil Assembly
- (1) 06-0120-3 Nut, 3/8", Hex
- (3) 06-0800-0 Screw, 5/16 x 3/8", Hex
- (5) 06-0841-4 Nut, 1/4", Hex
- (5) 11-8405-0 Screw, 1/4" x 1", Hex, Stainless
- (1) 06-3658-9 Screw, 3/8" x 2-1/4", Hex, Gr. 5
- (5) 06-3890-8 Clamp, Conduit Support, 1/2"
- (1) 09-0816-0 Tie, Cable, Plastic, 5-1/2" Long
- (1) 09-0838-4 Connector, 3/4" w/Nut
- (6) 09-7610-0 Terminal, Wire, C, 16-14
- (4) 09-7614-2 Terminal, Wire, F, 10-12
- (1) 09-9183-6 Connector, 3/4" w/Nut
- (6) 09-9311-3 Terminal, Wire, 22-18

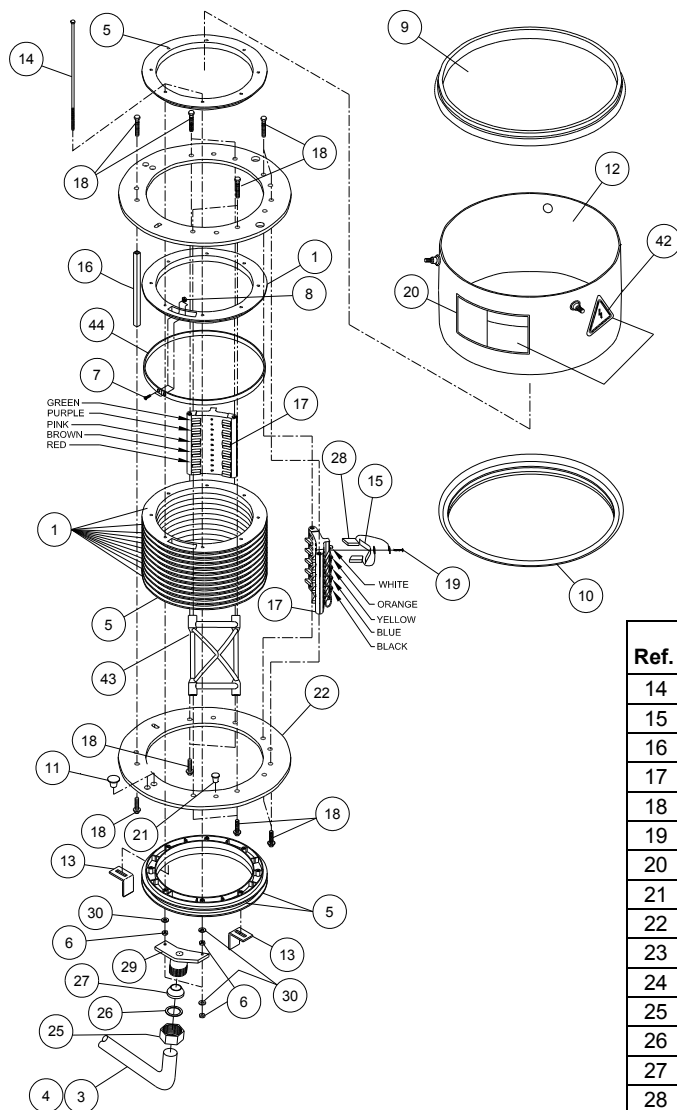
Ref.	Original Part No.	Substitute Part No.	Description
11	06-3091-3		Shield, Collector Ring
12	06-3866-8		Bracket, Collector Ring
13	06-3867-6		Screw, #10-24 x 9", Hex, Mach, Spec
14	06-3868-4		Spring, Brush, Collector Ring
15	06-3869-2		Spacer, Collector Ring
16	06-3870-0		Holder, Brush, 11 Position
17	06-3871-8		Screw, 1/4 x 1", HWH, S.T., Spec.
18	06-3872-6		Screw, #10 x 3/4", Phillips Pan Head
19	06-3926-0		Decal, "Danger", 480 Volt
20	06-4431-0		Plug, Plastic, 3/8"
21	06-4432-8		Bearing, Collector Ring
22	09-7622-5		Term., Wire, I, 16-14, Ring #6, Ins.
23	09-7624-1		Term., Wire, J, 10-12, Ring #6, Ins.
24	09-9158-8		Nut, Gland, 3/4", S.S.R. Connector
25	09-9159-6		Washer, Flat, 7/8", Spec., S.S.R.
26	09-9162-0		Grommet, 3/4" Str. Relief, .70-.80 Dia
27	09-9163-8		Brush, Collector Ring
28	09-9178-6		Fitting, Strain Relief, Collector Ring
29	10-2878-6		Washer, Flat, #10
30	11-2911-3		Kit, Collector Ring Hardware
31	11-6061-3		Tab, Tan, Collector Ring
32	11-6062-1		Tab, White, Collector Ring
33	11-6063-9		Tab, Pink, Collector Ring
34	11-6064-7		Tab, Yellow, Collector Ring
35	11-6065-4		Tab, Brown, Collector Ring
36	11-6066-2		Tab, Orange, Collector Ring
37	11-6067-0		Tab, Green, Collector Ring
38	11-6068-8		Tab, Blue, Collector Ring
39	11-6069-6		Tab, Purple, Collector Ring
40	11-6070-4		Tab, Black, Collector Ring
41	11-6071-2		Tab, Red, Collector Ring
42	14-0008-0		Spacer, Two Post, Collector Ring
43	97-2126-7		Strip, Brass, Collector Ring

Ref.	Original Part No.	Substitute Part No.	Description
1	03-2850-0		Ring, Collector Ring, Drilled
2	03-4865-6		Band, Collector Ring
3	03-4868-0		Cable, Electric, 11 Wire x 18' 9"
4	06-0020-5		Ring, 8-5/8", Polycarb, Coll. Ring
5	06-0090-8		Nut, #10-24, Hex
6	06-0150-0		Screw, #6-32 x 1/2", Ph. Fl. Hd, Br.
7	06-0152-6		Nut, #6-32, Hex, Brass
8	06-0200-3		Gasket, Collector Ring, Top
9	06-0210-2		Gasket, Collector Ring, Bottom
10	06-2655-6		Plug, Polyethylene, 1/2"



# Collector Rings

## Standard Collector Ring Assembly, 10 Wire, 3-7989-1, Mobile Pivot, 3-7990-9



**NOTE:** Items 3 is for Mobile Pivot.

- Kit #11-2911-3 (Item 31) includes:
- (3) 03-0860-1 Bracket, Collector Ring
  - (1) 03-4629-6 Termifoil Assembly
  - (1) 06-0120-3 Nut, 3/8", Hex
  - (3) 06-0800-0 Screw, 5/16 x 3/8", Hex
  - (5) 06-0841-4 Nut, 1/4", Hex
  - (5) 11-8405-0 Screw, 1/4" x 1", Hex, Stainless
  - (1) 06-3658-9 Screw, 3/8" x 2-1/4", Hex, Gr. 5
  - (5) 06-3890-8 Clamp, Conduit Support, 1/2"
  - (1) 09-0816-0 Tie, Cable, Plastic, 5-1/2" Long
  - (1) 09-0838-4 Connector, 3/4" w/Nut
  - (6) 09-7610-0 Terminal, Wire, C, 16-14
  - (4) 09-7614-2 Terminal, Wire, F, 10-12
  - (1) 09-9183-6 Connector, 3/4" w/Nut
  - (6) 09-9311-3 Terminal, Wire, 22-18

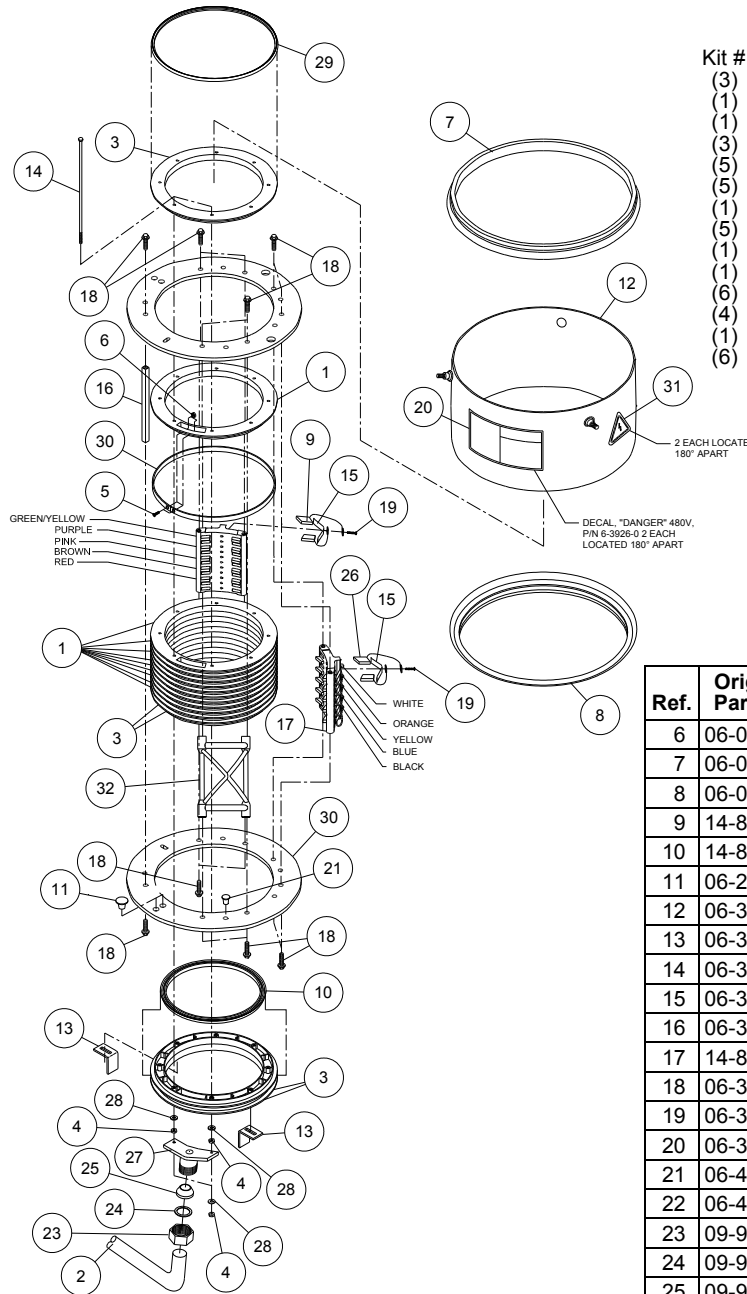
Ref.	Original Part No.	Substitute Part No.	Description
1	03-2850-0		Ring, Collector Ring, Drilled
2	03-4865-6		Band, Collector Ring
3	03-6883-7		Cable, Elect., 4#10, 6#14, 18'9"
4	03-6884-5		Cable, Elect., 4#10, 6#14, 16'3"
5	06-0020-5		Ring, 8-5/8", Polycarb., Coll. Ring
6	06-0090-8		Nut, #10-24, Hex
7	06-0150-0		Screw, #6-32 x 1-1/2, Ph. Fl. Hd., Br.
8	06-0152-6		Nut, #6-32, Hex, Brass
9	06-0200-3		Gasket, Collector Ring, Top
10	06-0210-2		Gasket, Collector Ring, Bottom
11	06-2655-6		Plug, Polyethylene, 1/2"
12	06-3091-3		Shield, Collector Ring
13	06-3866-8		Bracket, Collector Ring

Ref.	Original Part No.	Substitute Part No.	Description
14	06-3867-6		Screw, #10-24x9", Hex, Mach. Spec
15	06-3868-4		Spring, Brush, Collector Ring
16	06-3869-2		Spacer, Collector Ring
17	06-3870-0		Holder, Brush, 11 Position
18	06-3871-8		Screw, 1/4-1", HWH, S.T., Spec.
19	06-3872-6		Screw, #10 x 3/4", Ph. Pan Head
20	06-3926-0		Decal, "Danger", 480 Volt
21	06-4431-0		Plug, Plastic, 3/8"
22	06-4432-8		Bearing, Collector Ring
23	09-7622-5		Term., Wire, I, 16-14, Ring #6, Ins.
24	09-7624-1		Term., Wire, J, 10-12, Ring #6, Ins.
25	09-9158-8		Nut, Gland, 3/4", S.S.R. Connector
26	09-9159-6		Washer, Flat, 7/8", Spec., S.S.R.
27	09-9162-0		Grommet, 3/4" Str. Relief, .7-.8 Dia.
28	09-9163-8		Brush, Collector Ring
29	09-9178-6		Fitting, Strain Relief, Coll. Ring
30	10-2878-6		Washer, Flat, #10
31	11-2911-3		Kit, Collector Ring Hardware
32	11-6062-1		Tab, White, Collector Ring
33	11-6063-9		Tab, Pink, Collector Ring
34	11-6064-7		Tab, Yellow, Collector Ring
35	11-6065-4		Tab, Brown, Collector Ring
36	11-6066-2		Tab, Orange, Collector Ring
37	11-6067-0		Tab, Green, Collector Ring
38	11-6068-8		Tab, Blue, Collector Ring
39	11-6069-6		Tab, Purple, Collector Ring
40	11-6070-4		Tab, Black, Collector Ring
41	11-6071-2		Tab, Red, Collector Ring
42	11-7354-1		Decal, Electric Shock, ISO/CE
43	14-0008-0		Spacer, Two Post, Collector Ring
44	97-2126-7		Strip, Brass, Collector Ring



# Collector Rings

## Standard Collector Ring Assembly, 10 Wire, CE, 14-8496-0



- Kit #11-2911-3 (Item 33) includes:
- (3) 03-0860-1 Bracket, Collector Ring
  - (1) 03-4629-6 Termifoil Assembly
  - (1) 06-0120-3 Nut, 3/8", Hex
  - (3) 06-0800-0 Screw, 5/16 x 3/8", Hex
  - (5) 06-0841-4 Nut, 1/4", Hex
  - (5) 11-8405-0 Screw, 1/4" x 1", Hex, Stainless
  - (1) 06-3658-9 Screw, 3/8" x 2-1/4", Hex, Gr. 5
  - (5) 06-3890-8 Clamp, Conduit Support, 1/2"
  - (1) 09-0816-0 Tie, Cable, Plastic, 5-1/2" Long
  - (1) 09-0838-4 Connector, 3/4" w/Nut
  - (6) 09-7610-0 Terminal, Wire, C, 16-14
  - (4) 09-7614-2 Terminal, Wire, F, 10-12
  - (1) 09-9183-6 Connector, 3/4" w/Nut
  - (6) 09-9311-3 Terminal, Wire, 22-18

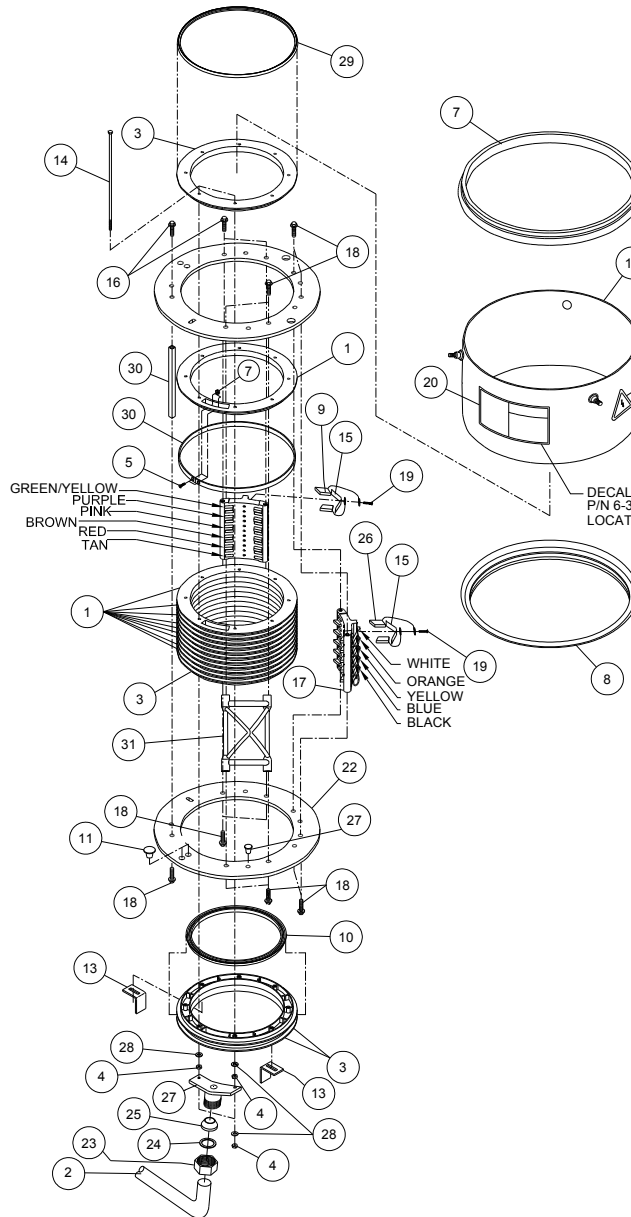
Ref.	Original Part No.	Substitute Part No.	Description
6	06-0152-6		Nut, #6-32, Hex, Brass
7	06-0200-3		Gasket, Collector Ring, Top
8	06-0210-2		Gasket, Collector Ring, Bottom
9	14-8526-0		Brush, 8" Collector Ring, Ground
10	14-8550-0		Gasket, Collector Ring, Inner, CE
11	06-2655-6		Plug, Polyethylene, 1/2"
12	06-3091-3		Shield, Collector Ring
13	06-3866-8		Bracket, Collector Ring
14	06-3867-6		Screw, #10-24x9", Hex, Mach. Spec
15	06-3868-4		Spring, Brush, Collector Ring
16	06-3869-2		Spacer, Collector Ring
17	14-8527-0		Holder, Brush, 11 Position, Ground
18	06-3871-8		Screw, 1/4x1", HWH, S.T., Spec.
19	06-3872-6		Screw, #10 x 3/4", Ph. Pan Head
20	06-3926-0		Decal, "Danger", 480 Volt
21	06-4431-0		Plug, Plastic, 3/8"
22	06-4432-8		Bearing, Collector Ring
23	09-9158-8		Nut, Gland, 3/4", S.S.R. Connector
24	09-9159-6		Washer, Flat, 7/8", Spec., S.S.R.
25	09-9162-0		Grommet, 3/4" Str. Relief, .7-.8 Dia.
26	09-9163-8		Brush, Collector Ring
27	09-9178-6		Fitting, Strain Relief, Coll. Ring
28	10-2878-6		Washer, Flat, #10
29	14-8549-0		Gasket, Collector Ring, Upper, CE
30	97-2126-7		Strip, Brass, Conductive
31	11-7354-1		Decal, Electric Shock, ISO/CE
32	14-0008-0		Spacer, Two Post, Collector Ring
33	11-2911-3		Kit, Collector Ring Hardware

Ref.	Original Part No.	Substitute Part No.	Description
1	03-2850-0		Ring, Collector Ring, Drilled
2	03-6884-5		Cable, Elect., 4#10, 6#14, 16'3"
3	06-0020-5		Ring, 8-5/8", Polycarb., Coll. Ring
4	06-0090-8		Nut, #10-24, Hex
5	06-0150-0		Screw, #6-32 x 1-1/2, Ph. Fl. Hd., Br.



# Collector Rings

## Standard Collector Ring Assembly, 11 Wire, CE, 14-8497-0



- Kit #11-2911-3 (Item 33) includes:
- (3) 03-0860-1 Bracket, Collector Ring
  - (1) 03-4629-6 Termifoil Assembly
  - (1) 06-0120-3 Nut, 3/8", Hex
  - (3) 06-0800-0 Screw, 5/16 x 3/8", Hex
  - (5) 06-0841-4 Nut, 1/4", Hex
  - (5) 11-8405-0 Screw, 1/4" x 1", Hex, Stainless
  - (1) 06-3658-9 Screw, 3/8" x 2-1/4", Hex, Gr. 5
  - (5) 06-3890-8 Clamp, Conduit Support, 1/2"
  - (1) 09-0816-0 Tie, Cable, Plastic, 5-1/2" Long
  - (1) 09-0838-4 Connector, 3/4" w/Nut
  - (6) 09-7610-0 Terminal, Wire, C, 16-14
  - (4) 09-7614-2 Terminal, Wire, F, 10-12
  - (1) 09-9183-6 Connector, 3/4" w/Nut
  - (6) 09-9311-3 Terminal, Wire, 22-18

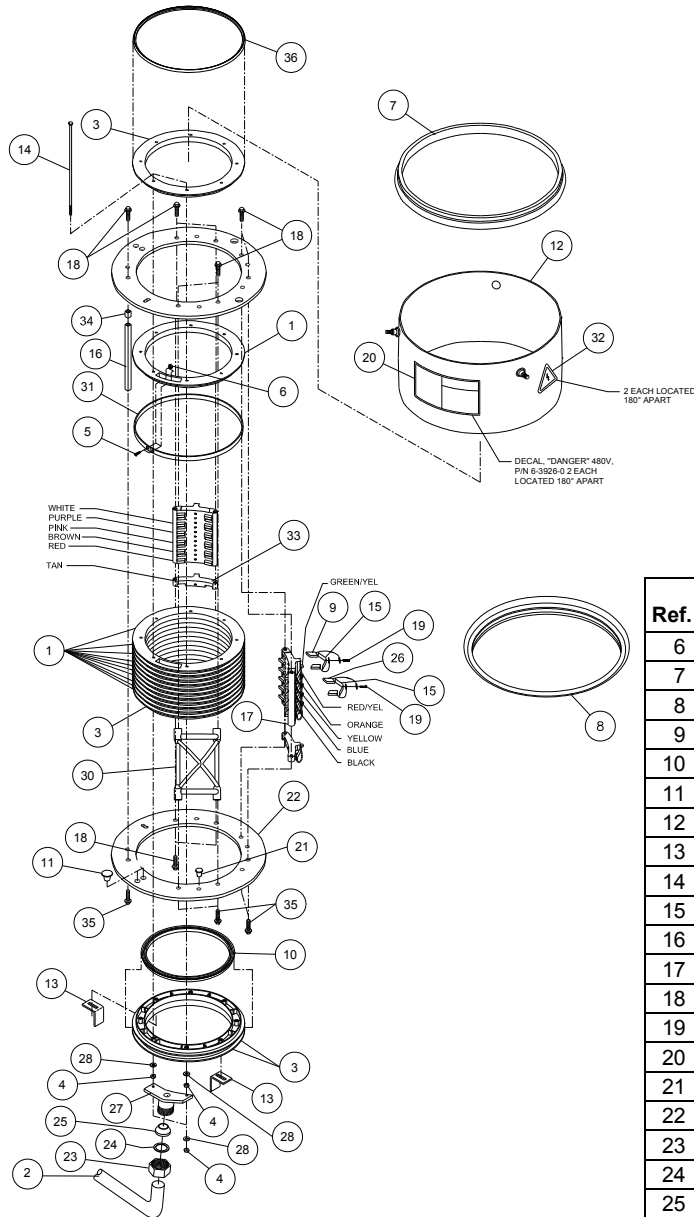
Ref.	Original Part No.	Substitute Part No.	Description
6	06-0152-6		Nut, #6-32, Hex, Brass
7	06-0200-3		Gasket, Collector Ring, Top
8	06-0210-2		Gasket, Collector Ring, Bottom
9	14-8526-0		Brush, 8" Collector Ring, Ground
10	14-8550-0		Gasket, Collector Ring, Inner, CE
11	06-2655-6		Plug, Polyethylene, 1/2"
12	06-3091-3		Shield, Collector Ring
13	06-3866-8		Bracket, Collector Ring
14	06-3867-6		Screw, #10-24x9", Hex, Mach. Spec
15	06-3868-4		Spring, Brush, Collector Ring
16	06-3869-2		Spacer, Collector Ring
17	14-8527-0		Holder, Brush, 11 Position, Ground
18	06-3871-8		Screw, 1/4x1", HWH, S.T., Spec.
19	06-3872-6		Screw, #10 x 3/4", Ph. Pan Head
20	06-3926-0		Decal, "Danger", 480 Volt
21	06-4431-0		Plug, Plastic, 3/8"
22	06-4432-8		Bearing, Collector Ring
23	09-9158-8		Nut, Gland, 3/4", S.S.R. Connector
24	09-9159-6		Washer, Flat, 7/8", Spec., S.S.R.
25	09-9162-0		Grommet, 3/4" Str. Relief, .7-.8 Dia.
26	09-9163-8		Brush, Collector Ring
27	09-9178-6		Fitting, Strain Relief, Coll. Ring
28	10-2878-6		Washer, Flat, #10
29	14-8549-0		Gasket, Collector Ring, Upper, CE
30	97-2126-7		Strip, Brass, Conductive
31	14-0008-0		Spacer, Two Post, Collector Ring
32	11-7354-1		Decal, Electric Shock, ISO/CE
33	11-2911-3		Kit, Collector Ring Hardware

Ref.	Original Part No.	Substitute Part No.	Description
1	03-2850-0		Ring, Collector Ring, Drilled
2	03-4868-0		Cable, Elect., 11 Wire x 18'-9" N
3	06-0020-5		Ring, 8-5/8", Polycarb., Coll. Ring
4	06-0090-8		Nut, #10-24, Hex
5	06-0150-0		Screw, #6-32 x 1-1/2, Ph. Fl. Hd., Br.



# Collector Rings

## Standard Collector Ring Assembly, 12 Wire, CE, 14-8498-0



- Kit #11-2911-3 (Item 37) includes:
- (3) 03-0860-1 Bracket, Collector Ring
  - (1) 03-4629-6 Termifoil Assembly
  - (1) 06-0120-3 Nut, 3/8", Hex
  - (3) 06-0800-0 Screw, 5/16 x 3/8", Hex
  - (5) 06-0841-4 Nut, 1/4", Hex
  - (5) 11-8405-0 Screw, 1/4" x 1", Hex, Stainless
  - (1) 06-3658-9 Screw, 3/8" x 2-1/4", Hex, Gr. 5
  - (5) 06-3890-8 Clamp, Conduit Support, 1/2"
  - (1) 09-0816-0 Tie, Cable, Plastic, 5-1/2" Long
  - (1) 09-0838-4 Connector, 3/4" w/Nut
  - (6) 09-7610-0 Terminal, Wire, C, 16-14
  - (4) 09-7614-2 Terminal, Wire, F, 10-12
  - (1) 09-9183-6 Connector, 3/4" w/Nut
  - (6) 09-9311-3 Terminal, Wire, 22-18

Ref.	Original Part No.	Substitute Part No.	Description
6	06-0152-6		Nut, #6-32, Hex, Brass
7	06-0200-3		Gasket, Collector Ring, Top
8	06-0210-2		Gasket, Collector Ring, Bottom
9	14-8526-0		Brush, 8" Collector Ring, Ground
10	14-8550-0		Gasket, Collector Ring, Inner, CE
11	06-2655-6		Plug, Polyethylene, 1/2"
12	06-3091-3		Shield, Collector Ring
13	06-3866-8		Bracket, Collector Ring
14	11-9821-0		Screw, #10-32x9-1/2", Hex, Mach.
15	06-3868-4		Spring, Brush, Collector Ring
16	06-3869-2		Spacer, Collector Ring
17	14-8527-0		Holder, Brush, 11 Position, Ground
18	06-3871-8		Screw, 1/4x1", HWH, S.T., Spec.
19	06-3872-6		Screw, #10 x 3/4", Ph. Pan Head
20	06-3926-0		Decal, "Danger", 480 Volt
21	06-4431-0		Plug, Plastic, 3/8"
22	06-4432-8		Bearing, Collector Ring
23	09-9158-8		Nut, Gland, 3/4", S.S.R. Connector
24	09-9159-6		Washer, Flat, 7/8", Spec., S.S.R.
25	09-9162-0		Grommet, 3/4" Str. Relief, .7-.8 Dia.
26	09-9163-8		Brush, Collector Ring
27	09-9178-6		Fitting, Strain Relief, Coll. Ring
28	10-2878-6		Washer, Flat, #10
29	11-6062-1		Tab, White Collector Ring
30	14-0008-0		Spacer, Two Post, Coll. Ring
31	97-2126-7		Strip, Brass, Conductive
32	11-7354-1		Decal, Electric Shock, ISO/CE
33	11-9754-0		Holder Brush, 1 Position
34	11-9755-0		Spacer, Collector Ring, Short
35	12-5907-0		Screw, Lag, 5/16" x 1-1/2"
36	14-8549-0		Gasket, Collector Ring, Upper, CE
37	11-2911-3		Kit, Collector Ring Hardware

Ref.	Original Part No.	Substitute Part No.	Description
1	03-2850-0		Ring, Collector Ring, Drilled
2	11-9744-0		Cable, Elect., 12 Wire x 18'-9" N
3	06-0020-5		Ring, 8-5/8", Polycarb., Coll. Ring
4	06-0848-9		Nut, #10-32, Hex
5	06-0150-0		Screw, #6-32 x 1-1/2, Ph. Fl. Hd., Br.

# Collector Rings



*Notes*



## Table of Contents

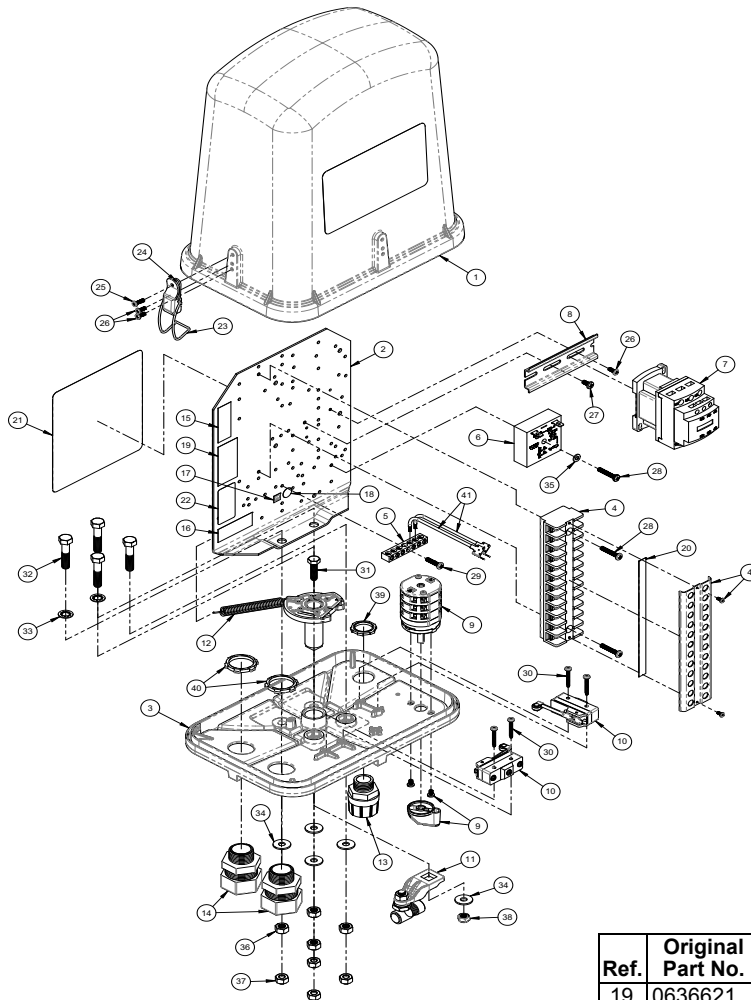
<b>Tower Panels</b> .....	L-3
Tower Control Panel, Standard, 10 Wire, 1610253 .....	L-3
Tower Control Panel, Next to Last, 0379875.....	L-4
Tower Control Panel, Last, 10 Wire, 0379883 .....	L-5
Tower Control Panel, Standard, 11 Wire, 8 Ga., 1610254 .....	L-6
Tower Control Panel, N-Last, 11 Wire, 8 Ga., 1179977.....	L-7
Tower Control Panel, Last, 11 Wire, 8 Ga., 1179985.....	L-8
Tower Control Panel, Aux, 9500L 1136936.....	L-9
Junction Panel, Collector Ring, 8-10 AWG, 1178482.....	L-10
Panel, Junction, FieldPLUS, 1179316.....	L-11
Tower Control Panel, FieldPLUS, 10 Wire, 1609914 .....	L-12
Low Temperature Panel Assembly, 1094853.....	L-13
Safety Switch Control Panel, 0365742.....	L-14
Auto Rev/Stop Control Panel, Any Tower, 1000520.....	L-15
Auto Reverse w/Stop, Any Tower or FieldPLUS, Barricade Stop.....	L-16
Auto Reverse/Auto Shutdown, Super High Clearance .....	L-17
Tower Panel, Line Reactor, 8A, 1283630 .....	L-18
Boost Transformer Panel, 0382663.....	L-19
Boost Transformer Panel, Junction, 0382671 CE.....	L-20
Boost Transformer Assembly .....	L-21
Booster Pump Control Panel, 0377606.....	L-22
Tower Control Panel, Std, Advance Alignment, 1494040.....	L-23
Tower Control Panel, Std, Advance Alignment, 1494050.....	L-24
Tower Control Panel, Std, 11 Wire, Advance Alignment, 1495930 .....	L-25
Tower Control Panel, Std, 11 Wire, Advance Alignment, 1495950 .....	L-26
Panel Ass'y, Encoder, Swing Angle, 1601020 .....	L-27
Control Panel, Twist Safety, 1177922 .....	L-29
Tower Control Panel, Next to Last, 10 Wire, L.M., 1172204 .....	L-30
Panel, Sequencer, 9500CC, Water, 1227250 .....	L-32
Panel, Sequencer, 9500CC, Air, 1504060.....	L-34
Panel, Twist Safety, 1227260.....	L-36
Panel, I.M.C. Displacement, Potentiometer, 1287610 .....	L-37
Panel, I.M.C. Displacement, Encoder, 1609858 .....	L-39
Panel Ass'y, Corner, VFD Junction, 1601281 .....	L-41

Panel Ass'y, Corner, Motor Junction 2x2, 1602706 .....	L-42
Panel Ass'y, Corner, Switch, 1603710 .....	L-43
Panel Ass'y, Corner, Buried Wire Guidance, 12V Power, 1605590 .....	L-44
Panel Ass'y, Corner, Buried Wire Guidance, 12 VDC, 1608647 .....	L-45
Encoder Assembly, Drive, 1394900 .....	L-46
Encoder Assembly, Parallel 1487470 .....	L-47
Module and Mount, VISION, Lateral, GPS .....	L-48
Cams .....	L-49
Timer Assembly, 11-7940-7 .....	L-50
Timer Assembly, 11-7941-5 .....	L-50
Timer Assemblies .....	L-50
Contactors .....	L-51
Relays .....	L-51
Relay Assembly, RPM Replacement, 10-9380-6 .....	L-52
Terminal Blocks .....	L-52
Tower Panel Fuses .....	L-52
Stainless Steel Tower Alignment Hardware Kit, 1609464 .....	L-53
Tower Control Panel, Std. 10 Wire, CE, 1173269 .....	L-54
Tower Control Panel, Next-Last, 10 Wire, CE, 1207520 .....	L-55
Tower Control Panel, Last, 10 Wire, CE, 1173285 .....	L-56
Low Temperature Panel Assembly, CE, 1182401 .....	L-57
Auto Rev/Stop Control Panel, Any Tower, CE, 1182946 .....	L-58
Booster Pump Control Panel, CE, 1179449 .....	L-60
Tower Control Panel, Standard, Advance Alignment, CE, 1494110 .....	L-61
Tower Control Panel, Next-to-Last, Advance Alignment, CE, 1494120 ...	L-62
Safety Decals, Tower Panel .....	L-63



# L Tower Panels

## Tower Control Panel, Standard, 10 Wire, 1610253



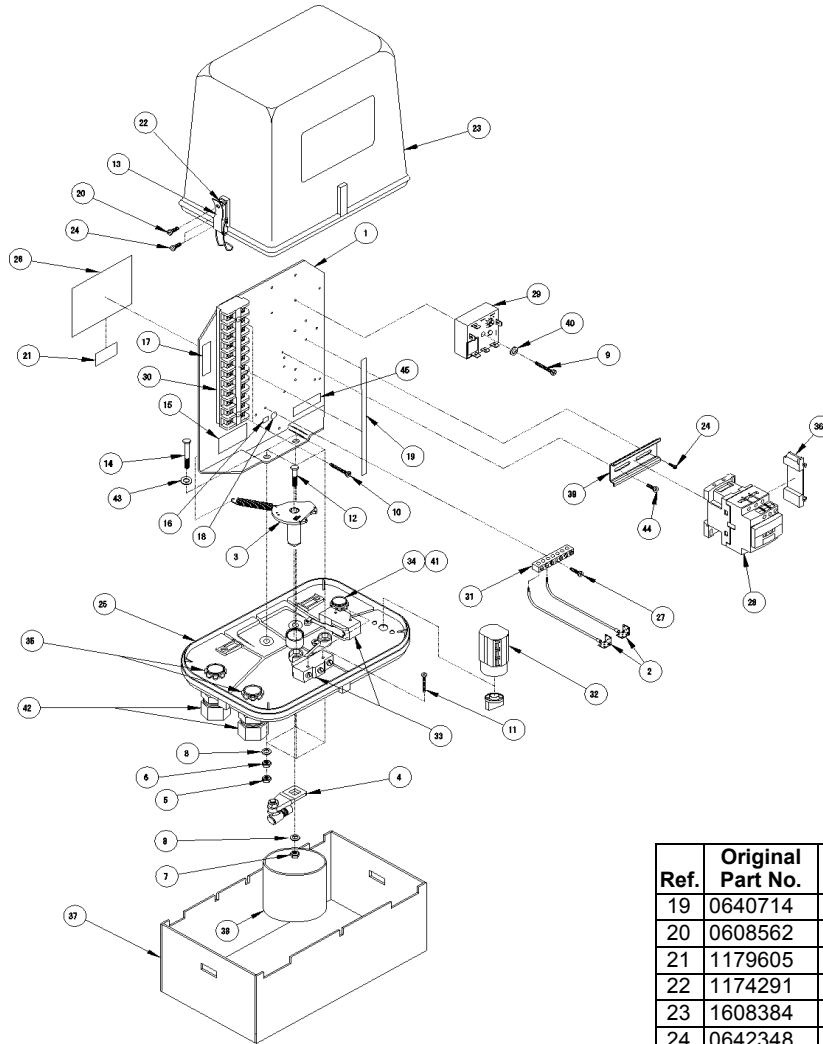
Ref.	Original Part No.	Substitute Part No.	Description
1	1608384		Shield, Twr, Cont, Box, Gray, Hazrd
2	0340174		Plate, Starter Mount
3	1601679		Base, Twr, Cont, Box, Gray, Switch
4	0976027		Block, Term, 12PT, CR151B26AF
5	0976316	1610341	Bar, Gnd Term, 6-#14, 6-#8
6	0990895	1610513	Timer, SS, 2 Sec, NO, KSD1412S
7	1207430		Contact, Twr, 18A, NC, NO, CE
8	1177872		Rail, Din 4"
9	0988667		Switch, Rotary Pwr, 6 PST, 10A
10	0990309		Switch, Micro, SPDT, 15A, 120V
11	1609056		Ass'y. Cam Arm, Twr Pnl, Step Dwn
12	1609076		Ass'y, Cam, Twr Pnl, T-Head
13	1128354		Connector, 1/2" w/o Nut, .37-.5"
14	1128362		Connector, 3/4", w/o Nut, .6"-.7"
15	1190470		Decal, Term Block, Torque, CE
16	1375550		Decal, Term Torque, Gnd Bar
17	1173574		Decal, PE, Ground Symbol
18	1601326		Decal, Green/Yellow. PE

Ref.	Original Part No.	Substitute Part No.	Description
19	0636621		Decal, Built Tested
20	0640714		Decal, Term Mk, STD4N-L, 10 Wire
21	1610262		Decal, NPLT, Twr, Ctrl, Std
22	1179605		Decal, ETL
23	0648220		Latch, Pull-Down, 3 Hole
24	1174291		Sleeve, Captive, Twr Box
25	0608562		Screw, #6-20x1/2", PH, PN HD, #25
26	0642348		Screw, #6-20x3/8", PH, PN HD, #25
27	0608471		Screw, #8-32x3/8", PH, PN HD, #23
28	0608505	0639096	Screw, #8-32x1", PH, PN HD, #23
29	0645531		Screw, #8-32x3/4", PH, PN HD, #23
30	0608513		Screw, #6-20x1", PH, PN HD, #25
31	1184050		Screw, 1/4-20x1", Hex, FL HD, SS
32	0631465		Screw, 5/16-18x1-1/2, Hex
33	1135300		Washer, 5-1/6", Lock, In. Tooth
34	0608422		Washer, 1/4", Flat
35	0639682		Washer, #8, Flat
36	0608224		Nut, 5/16-18, Hex
37	0602623		Nut, 5/16-18, Nylock
38	0642678		Nut, 1/4-20, Nylock
39	0991562		Nut, Conduit, 1/2", Lock
40	0991612		Nut, Conduit, 3/4", Lock
41	0346296		Termifoil Ass'y, CE



# Tower Panels

## Tower Control Panel, Next to Last, 0379875



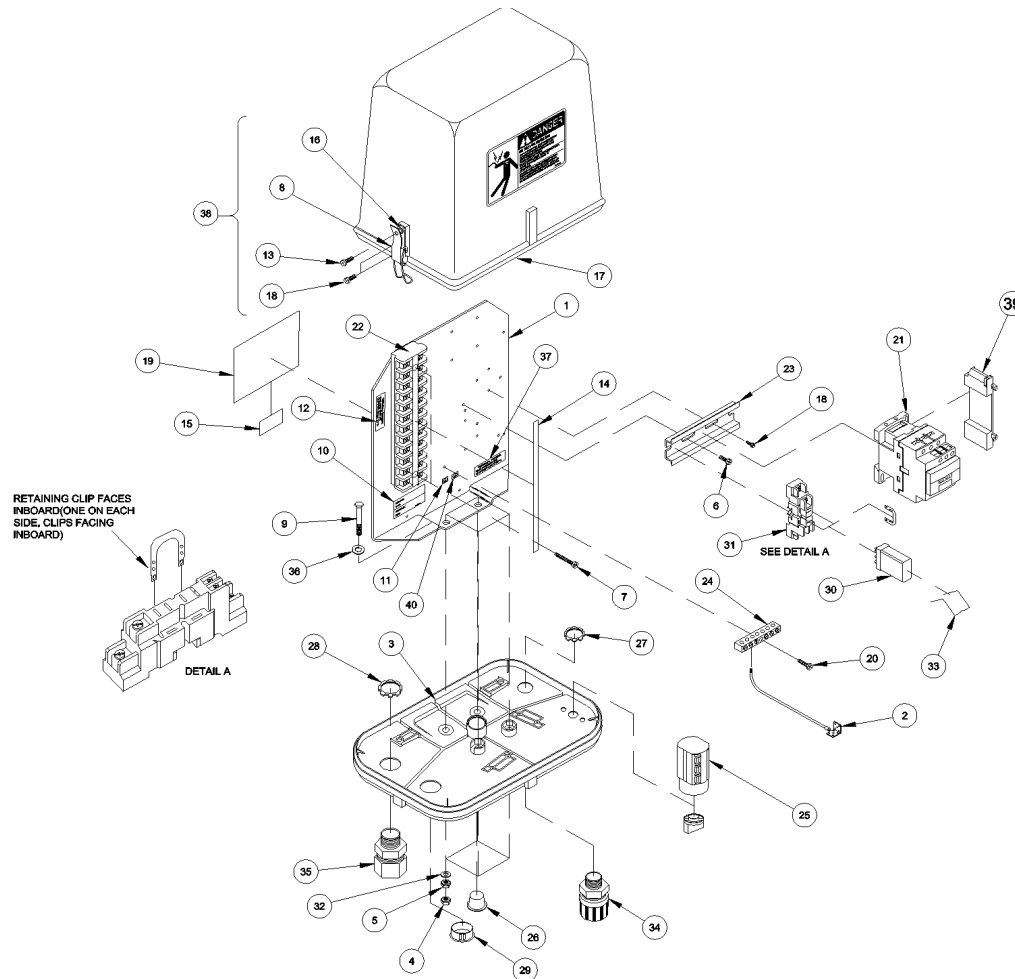
Ref.	Original Part No.	Substitute Part No.	Description
1	03-4017-4		Plate, Starter Mount
2	03-4629-6		Termifoil Assembly
3	1609076		Assembly, Cam, Tower Panel
4	1609056		Assembly, Cam Arm, Twr Panel
5	06-0262-3		Nut, 5/16-18, Lock, Nylon Insert
6	0608224		Nut, 5/16-18, Hex, A563, Gr. A
7	0642678		Nut, 1/4-20, Lock, Nylon Ins.
8	0608422		Washer, 1/4", Flat
9	0639096		Screw, #8-32 x 1-1/4", PH, PN, HD.
10	0608505		Screw, #8-32 x 1 PHP, PN, HD.
11	0608513		Screw, #6-20, x 1, PH, PN, HD.
12	1184050		Screw, 1/4-20 x 1, Hex, Gr. 2
13	0648220		Latch, Pull Down, 3-Hole
14	0631465		Screw, 5/16-18 x 1-1/2, Hex, Gr. 5
15	0636621		Decal, Built Tested
16	1173574		Decal, PE Ground Symbol
17	1190470		Decal, Terminal Torque, CE
18	1601326		Decal, Green/Yellow, PE

Ref.	Original Part No.	Substitute Part No.	Description
19	0640714		Decal, Term. Mrk., STD4N-L, 10WI
20	0608562		Screw, #6-20 x 1/2, PH, PN, HD.
21	1179605		Decal, ETL
22	1174291		Sleeve, Captive, Tower Box, CE
23	1608384		Shield, Twr. Box, Inner, w/Decal
24	0642348		Screw, #6-20 x 3/8, PH, PN, HD.
25	1601679		Base, Tower Ctrl. Box
26	1607507		Decal, Schem., Twr. Ctrl., NTL
27	0645531		Screw, #8-32 x 3/4, PH, PN, HD.
28	1207430		Contact, Twr., 18A, NO/NC, CE
29	1605892		Timer, Relay, .3-30 Min., Stall
30	0976027		Block, Term., 12 PT., CR151B26AF
31	0976316	1610341	Bar, Ground Term., 6-#14, 6-#8
32	0988667		Switch, Rotary Pwr., 6 PST, 10 A
33	0990309		Switch, Micro, SPDT, 15A, 120V.
34	0991562		Nut, Conduit, 1/2"
35	0991612		Nut, Conduit, 3/4"
36	1207390		Snubber, RC, 110-250V, Snap In
37	1608913		Packaging, C'Board, Twr. Pnl. Base
38	1100320		Packaging, C'Board, Twr. Pnl. Tube
39	1174440		Rail, Din, 3"
40	0639682		Washer, Flat, #8
41	1128354		Connector, 1/2" .37-.5" Dia.
42	1128362		Connector, 3/4" .6-.7 Dia.
43	1135300		Washer, Lock, 5/16", Int. Tooth
44	0608471		Screw, #8-32 x 3/8, PH, Pn, HD.
45	1375550		Decal, Terminal Torque, Gndbar.



# Tower Panels

## Tower Control Panel, Last, 10 Wire, 0379883



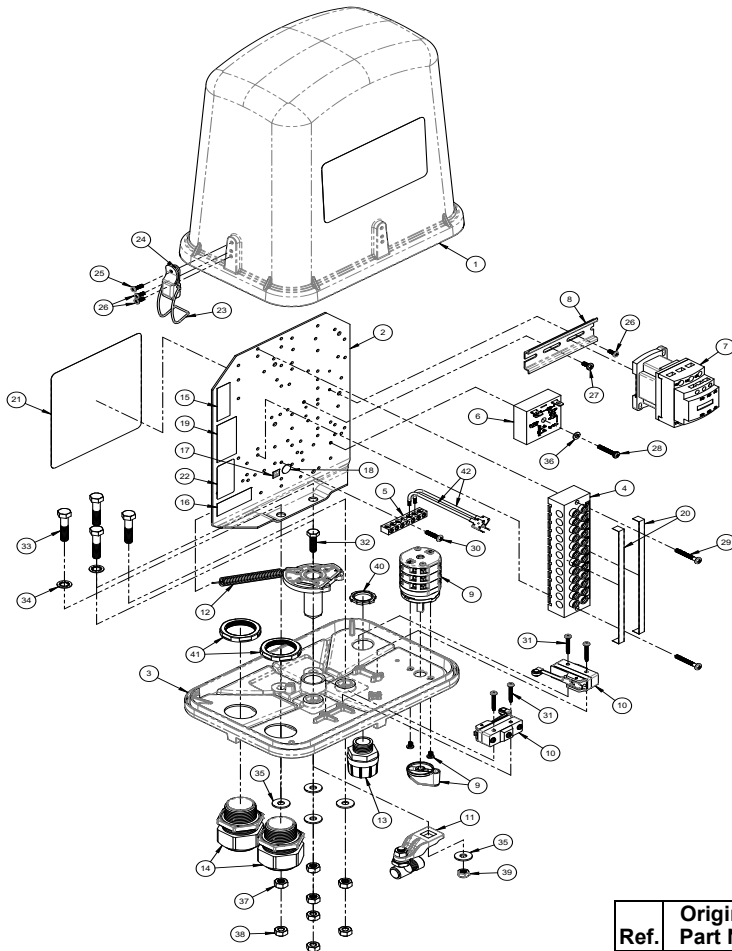
Ref.	Original Part No.	Substitute Part No.	Description
1	03-4017-4		Plate, Starter Mount
2	03-4629-6		Termifoil Assembly
3	1601679		Base, Tower Box, Threaded
4	06-0262-3		Nut, 5/16-18, Lock, Nylon Insert
5	06-0822-4		Nut, 5/16-18, Hex
6	06-0847-1		Screw, #8-32 x 3/8", Ph. Pn. Hd #23
7	06-0850-5		Screw, #8-32 x 1", Ph. Pn. Hd., #23
8	06-4822-0		Latch, Pull Down, 3 Hole
9	06-3146-5		Screw, #5/16-18 x 1-1/2", Hex, Gr. 5
10			
11	11-7357-4		Decal, P.E., Ground Symbol
12	11-9047-0		Decal, Terminal Torque, GE
13	06-0856-2		Screw, #6-20 x 1/2", Ph. Pn. Hd #25
14	06-4074-8		Decal, Term. Marker, Last, 10W
15	11-7960-5		Decal, ETL
16	11-7429-1		Sleeve, Captive, Tower Box
17	1608384		Shield, Tower Box, Gray, 480 Decal
18	06-4234-8		Screw, #6-20 x 3/8", Ph. Pn. Hd #25
19	06-4446-8		Decal, Namepl., Twr. Ctrl. Pnl., Last
20	06-4553-1		Screw, #8-32 x 3/4", Ph. Pn. Hd #23

Ref.	Original Part No.	Substitute Part No.	Description
21	12-0743-0		Contact, Tower, 18A, NC, NO, CE
22	09-7602-7		Block, Term, 12Pt, #CR151B26AF
23	11-7787-2		Rail, Din 4"
24	09-7631-6	1610341	Bar, Ground Terminal, #14, 6-#8
25	09-8866-7		Switch, Rotary Power, 6 PST, 10A
26	09-9020-0		Plug, Caplug, #9X
27	09-9156-2		Nut, Conduit, 1/2", Lock
28	09-9161-2		Nut, Conduit, 3/4", Lock
29	09-9297-4		Plug, Hole, 1-1/8" Nylon
30	10-0060-3		Relay, Plug-In, Sing. PL/DBL Thro
31	10-0061-1		Socket, Relay, Plug-In
32	06-0842-2		Washer, Flat, 1/4"
33	11-1797-7		Spring, Relay Retainer, SPDT
34	11-2835-4		Connector, 1/2" w/o Nut, .37-.5" Dia.
35	11-2836-2		Connector, 3/4" w/o Nut, .6-.7" Dia.
36	11-3530-0		Washer, Lock, 5/16", Int. Tooth
37	13-7555-0		Decal, Terminal Torque, Groundbar
38	03-7641-8		Shield Assy, Tower Panel, Gray
39	1207390		Snubber, RC, Snap-In
40	1601326		Decal, Green/Yellow, PE



# Tower Panels

## Tower Control Panel, Standard, 11 Wire, 8 Ga., 1610254



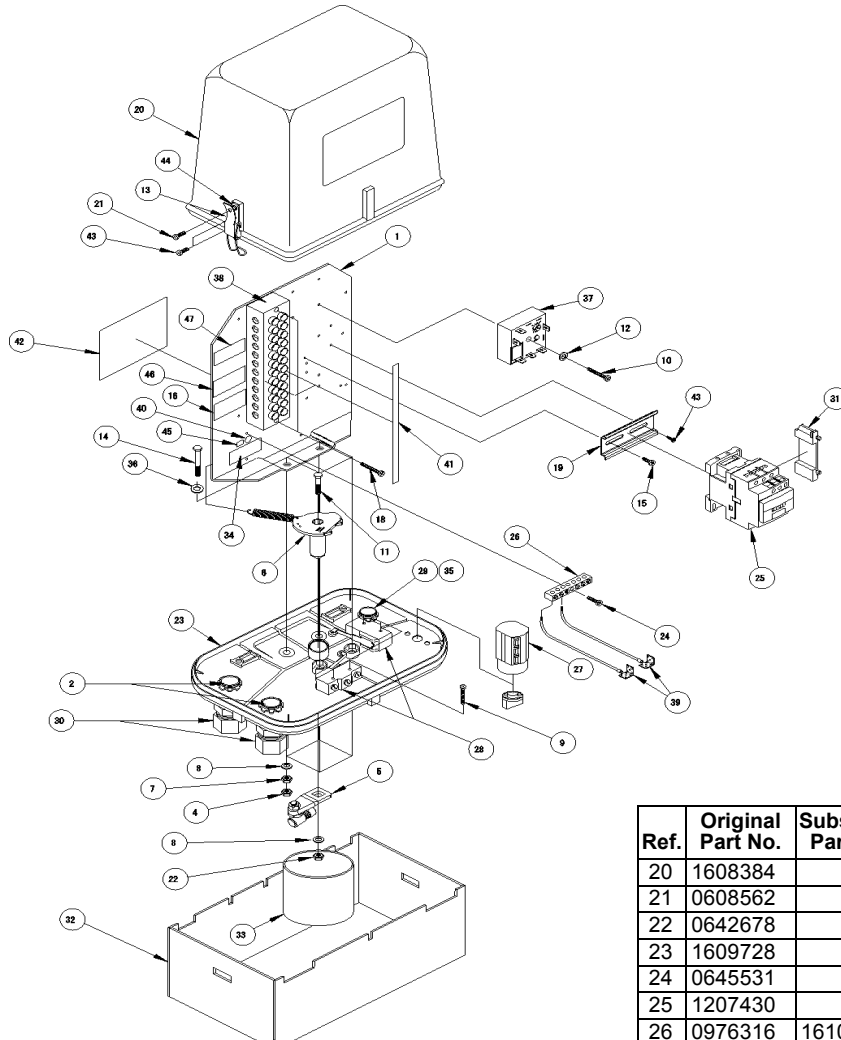
Ref.	Original Part No.	Substitute Part No.	Description
1	1608384		Shield, Twr, Cont, Box, Gray, Hazrd
2	0340174		Plate, Starter Mount
3	1609728		Base, Twr, Cont, Box, Dual Conn
4	1155720		Block, Term, 12PT, 60A, 8GA, CE
5	0976316	1610341	Bar, Gnd Term, 6-#14, 6-#8
6	0990895	1610513	Timer, SS, 2 Sec, NO, KSD1412S
7	1207430		Contact, Twr, 18A, NC, NO, CE
8	1177872		Rail, Din 4"
9	0988667		Switch, Rotary Pwr, 6 PST, 10A
10	0990309		Switch, Micro, SPDT, 15A, 120V
11	1609056		Ass'y. Cam Arm, Twr Pnl, Step Dwn
12	1609076		Ass'y, Cam, Twr Pnl, T-Head
13	1128354		Connector, 1/2" w/o Nut, .37-.5"
14	1609689		Connector, 1", w/o Nut, .59"-1"
15	1197700		Decal, Term Torque, USD
16	1375550		Decal, Term Torque, Gnd Bar
17	1173574		Decal, PE, Ground Symbol
18	1601326		Decal, Green/Yellow. PE

Ref.	Original Part No.	Substitute Part No.	Description
19	0636621		Decal, Built Tested
20	1179993		Decal, Term Mk, STD, N-L, 8GA
21	1610263		Decal, NPLT, Twr, Ctrl, Std, 8GA
22	1179605		Decal, ETL
23	0648220		Latch, Pull-Down, 3 Hole
24	1174291		Sleeve, Captive, Twr Box
25	0608562		Screw, #6-20x1/2", PH, PN HD, #25
26	0642348		Screw, #6-20x3/8", PH, PN HD, #25
27	0608471		Screw, #8-32x3/8", PH, PN HD, #23
28	0608505	0639096	Screw, #8-32x1", PH, PN HD, #23
29	0639096		Screw, #8-32x1-1/4", PH, PN HD
30	0645531		Screw, #8-32x3/4", PH, PN HD, #23
31	0608513		Screw, #6-20x1", PH, PN HD, #25
32	1184050		Screw, 1/4-20x1", Hex, FL HD, SS
33	0631465		Screw, 5/16-18x1-1/2", Hex
34	1135300		Washer, 5-1/6", Lock, In. Tooth
35	0608422		Washer, 1/4", Flat
36	0639682		Washer, #8, Flat
37	0608224		Nut, 5/16-18, Hex
38	0602623		Nut, 5/16-18, Nylock
39	0642678		Nut, 1/4-20, Nylock
40	0991562		Nut, Conduit, 1/2", Lock
41	1609690		Nut, Conn., 1", Lock
42	0346296		Termifoil Ass'y, CE



# Tower Panels

## Tower Control Panel, N-Last, 11 Wire, 8 Ga., 1179977



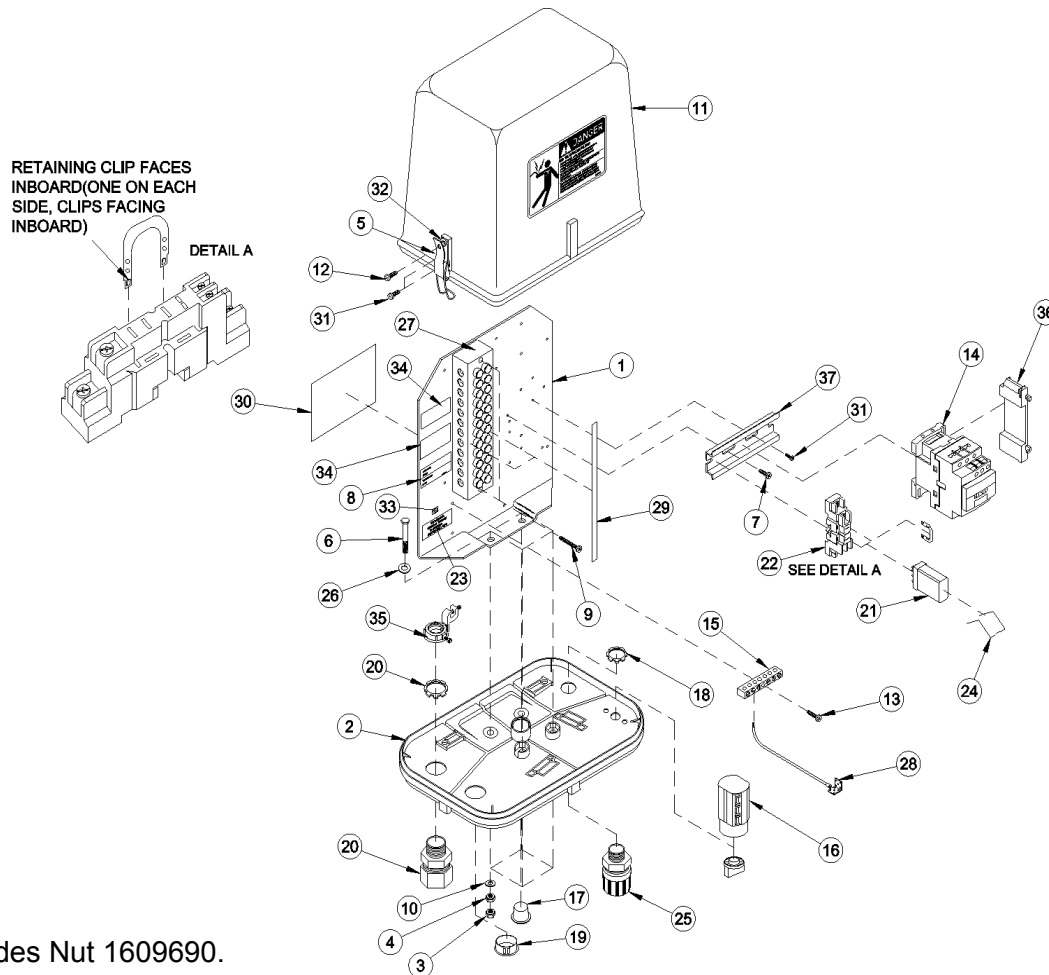
Ref.	Original Part No.	Substitute Part No.	Description
1	3-4017-4		Plate, Starter Mount
2	1609690		Nut, Connector, 1", Lock
3			
4	0602623		Nut, 5/16-18, Lock, Nylon Ins.
5	1609056		Ass'y, Cam Arm, Twr. Panel
6	1609076		Ass'y, Cam, Tower Panel
7	0608224		Nut, 5/16-18, Hex, A563
8	0608422		Washer, Flat, 1/4, AW, Zinc
9	0608513		Screw, #6-20 x 1, #25, Zinc
10	0639096		Screw, #8-32 x 1-1/4, PH. PN. HD.
11	1184050		Screw, 1/4-20 x 1, Hex, Gr. 5
12	0639682		Washer, #8, Flat
13	0648220		Latch, Pull Down, 3 Hole
14	0631465		Screw, 5/16"-18x1-1/2, Hex
15	0608471		Screw, #8-32x3/8, Ph, Hd, #23
16	0636621		Decal, Built Tested
17			
18	0639096		Screw, #8-32 x 1-1/4, PH. PN. HD.
19	1174440		Rail Din 3"

Ref.	Original Part No.	Substitute Part No.	Description
20	1608384		Shield, Tower Box, Gray, 480 Decal
21	0608562		Screw, #6-20 x 1/2, #25, Zinc
22	0642678		Nut, 1/4-20, Lock, Nyl. Ins, Zn
23	1609728		Base, Tower Control Box, Black
24	0645531		Screw, #8-32x3/4, #23, Zinc
25	1207430		Contactor, Tower, 18A
26	0976316	1610341	Bar, Ground Terminal, 6-#14, 6-#8
27	0988667		Switch, Rotary Power, 6 PST, 10A
28	0990309		Switch, Micro, SPDT, 15A, 120V
29	0991562		Nut, Conduit, 1/2"
30	1609689		Connector, 3/4" Str. Rel., 8-.9"Dia
31	1207390		Snubber, RC, 110-250V, Snap In
32	1608913		Packaging, C'Board, Base
33	1100320		Packaging, C'Board, Tube
34	1375550		Decal, Term. Torque, Gndbar.
35	1128354		Conn., 1/2", .37-.5, w/o Nut
36	1135300		Washer, 5/16, Lock, Int. Tooth
37	1605892		Timer, Relay, .3 to 3 Min., Stall
38	1155720		Block, Term., 12 PT, 8 Ga., CE
39	0346296		Termifoil, Ass'y, CE
40	1601326		Decal, Green/Yellow, CE
41	1179993		Decal, Term. Mark, STD4N-L, 8 Ga.
42	1180025		Decal, NPLT, Twr Ctrl., NTL
43	0642348		Screw, #6-20 x 3/8, PH. PN. HD.
44	1174291		Sleeve, Capt., Twr Box, CE
45	1173574		Decal, PE, Ground Symbol
46	1179605		Decal, ETL
47	1197700		Decal, Terminal Torque
48	1273240	1609689*	Bushing, GND, Bond, 3/4, 14 AWG



# Tower Panels

## Tower Control Panel, Last, 11 Wire, 8 Ga., 1179985



\*Includes Nut 1609690.

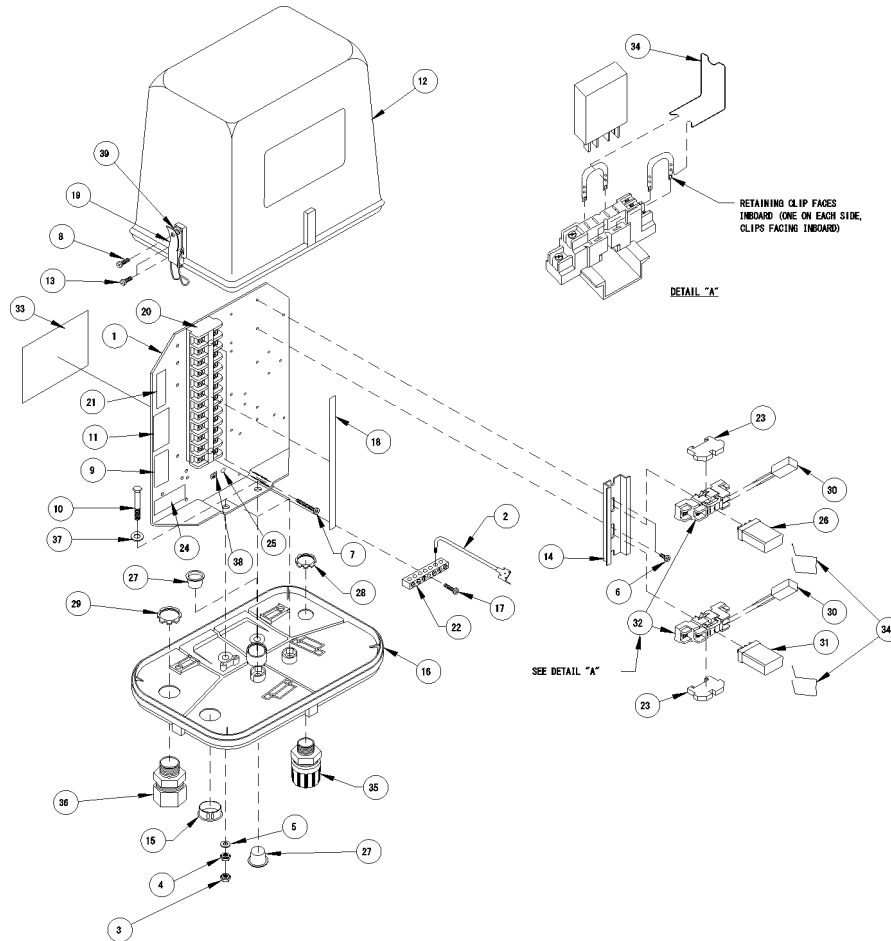
Ref.	Original Part No.	Substitute Part No.	Description
1	3-4017-4		Plate, Starter Mount
2	3-7763-0		Base, Tower Box, Threaded
3	6-0262-3		Nut, 5/16-18, Hex, F563
4	6-0822-4		Nut, 5/16-18, Hex, A563
5	6-4822-0		Latch, Pull Down, 3 Hole
6	6-3146-5		Screw, 5/16-18 x 1-1/2 Hex
7	6-0847-1		Screw, #8-32 x 3/8, Ph, #23
8			
9	6-3909-6		Screw, #8-32 x 1-1/4, #23
10	6-0842-2		Washer, Flat, 1/4", Zinc
11	6-4208-2		Shield, Tower Box, Gray,480 Decal
12	6-0856-2		Screw, #6-20 x 1/2, #25, Zinc
13	6-4553-1		Screw, #8-32 x 3/4, #23, Zinc
14	12-0743-0		Contactora, Twr, 18A, CE
15	9-7631-6	1610341	Bar, Ground Terminal, 6-#14, 6-#8
16	9-8866-7		Switch, Rotary Power, 6 PST, 10A
17	9-9020-0		Plug, Caplug #9x
18	9-9156-2		Nut, Conduit, 1/2"

Ref.	Original Part No.	Substitute Part No.	Description
19	9-9297-4		Plug, Hole, 1-1/8", Nylon
20	11-8102-3	1609689*	Connector, 3/4" Str.Rel., 8-.9"Dia
21	10-0060-3		Relay, Plug-in, Sing.PL/DBL.Thro
22	10-0061-1		Socket, Relay, Plug-in
23	13-7555-0		Decal Terminal Torque, Gndbar
24	11-1797-7		Spring, Relay Retainer, SP DT
25	11-2835-4		Connector, 1/2" wo/Nut .37-.5" Dia.
26	11-3530-0		Washer, Lock, 5/16", Int.Tooth
27	11-5572-0		Block, Terminal, 12PT, 8GA, CE
28	3-4029-6		Termifoil, Assembly, CE
29	11-8000-9		Decal, Term.Marker, LST, 8 Ga.
30	11-8003-3		Decal, NPLT, Tower Ctrl, Last, 8 Ga
31	6-4234-8		Screw, 6-20 x 3/8, #25
32	11-7429-1		Sleeve, Captive, Tower Box, CE
33	11-7357-4		Decal, P.E., Ground Symbol
34	11-9770-0		Decal, Terminal Torque, USD
35	12-7324-0	1609689*	Bushing, Ground,Bond,3/4,14AWG
36	1207390		Snubber, RC, Snap-In



# Tower Panels

## Tower Control Panel, Aux, 9500L 1136936



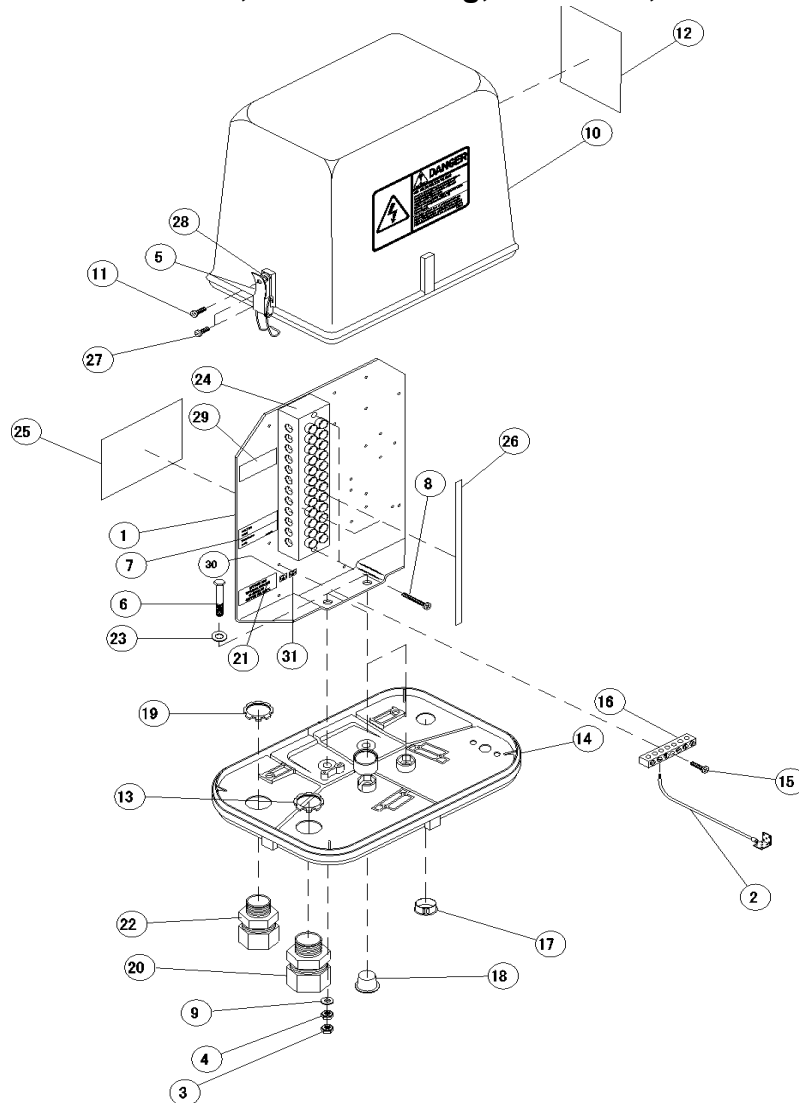
Ref.	Original Part No.	Substitute Part No.	Description
1	3-4017-4		Plate, Starter Mount
2	3-4629-6		Termifoil Assembly
3	6-0262-3		Nut, 5/16-18, Hex, F563
4	6-0822-4		Nut, 5/16-18, Hex, A563
5	6-0842-2		Washer, Flat, 1/4", Zinc
6	0608471		Screw, #8-32x3/8, PHP, #23
7	6-0850-5		Screw, #8-32x1, PHP, #23
8	6-0856-2		Screw, #6-20x1/2, PHP, #25
9	1179605		Decal, ETL
10	6-3146-5		Screw, 5/16-18x1-1/2, HX, Gr5
11			
12	1608384		Shield, Tower Box, Gray,480 Decal
13	6-4234-8		Screw, 6-20 x 3/8, #25
14	1177872		Rail, DIN, 4"
15	0992974		Plug, Hole, 1-1/8", Nylon
16	1601143		Base, Tower Control Box, Black
17	6-4553-1		Screw, #8-32 x 3/4, #23, Zinc
18	6-4574-7		Decal, Term. Mkr, Cab&Fur, 10W

Ref.	Original Part No.	Substitute Part No.	Description
19	6-4822-0		Latch, Pull Down, 3 Hole
20	9-7602-7		Block, Term., 12 pt. CR151B26AF
21	1190470		Decal, Term, Block, Torque, CE
22	9-7631-6	1610341	Bar, Ground Terminal, 6-#14, 6-#8
23	1246200		Block, Terminal, Endstop, Scless
24	1375550		Decal, Terminal, Torque, Ground
25	1601326		Decal, Green/Yellow, PE
26	1485400		Relay, 24 VAC, SPDT, Plug-In
27	9-9020-0		Plug, Caplug #9x
28	9-9156-2		Nut, Conduit, 1/2", Lock
29	9-9161-2		Nut, Conduit, 3/4", Lock
30	0993410		Suppressor, Arc, 200VDC
31	1000603		Relay, Plug-In, SPDT
32	1000611		Socket, Relay, Plug-In, 5 BI, 300V
33	1137934		Decal, Nameplate, Aux Cont, Pnl.
34	1117977		Spring, Relay, Retainer Clip
35	11-2835-4		Connector, 1/2" wo/Nut .37-.5" Dia.
36	11-2836-2		Connector, 3/4" w/o Nut, 6-7" Dia.
37	11-3530-0		Washer, Lock, 5/16", Int.Tooth
38	11-7357-4		Decal, P.E., Ground Symbol
39	11-7429-1		Sleeve, Captive, Tower Box, CE



# Tower Panels

## Junction Panel, Collector Ring, 8-10 AWG, 1178482



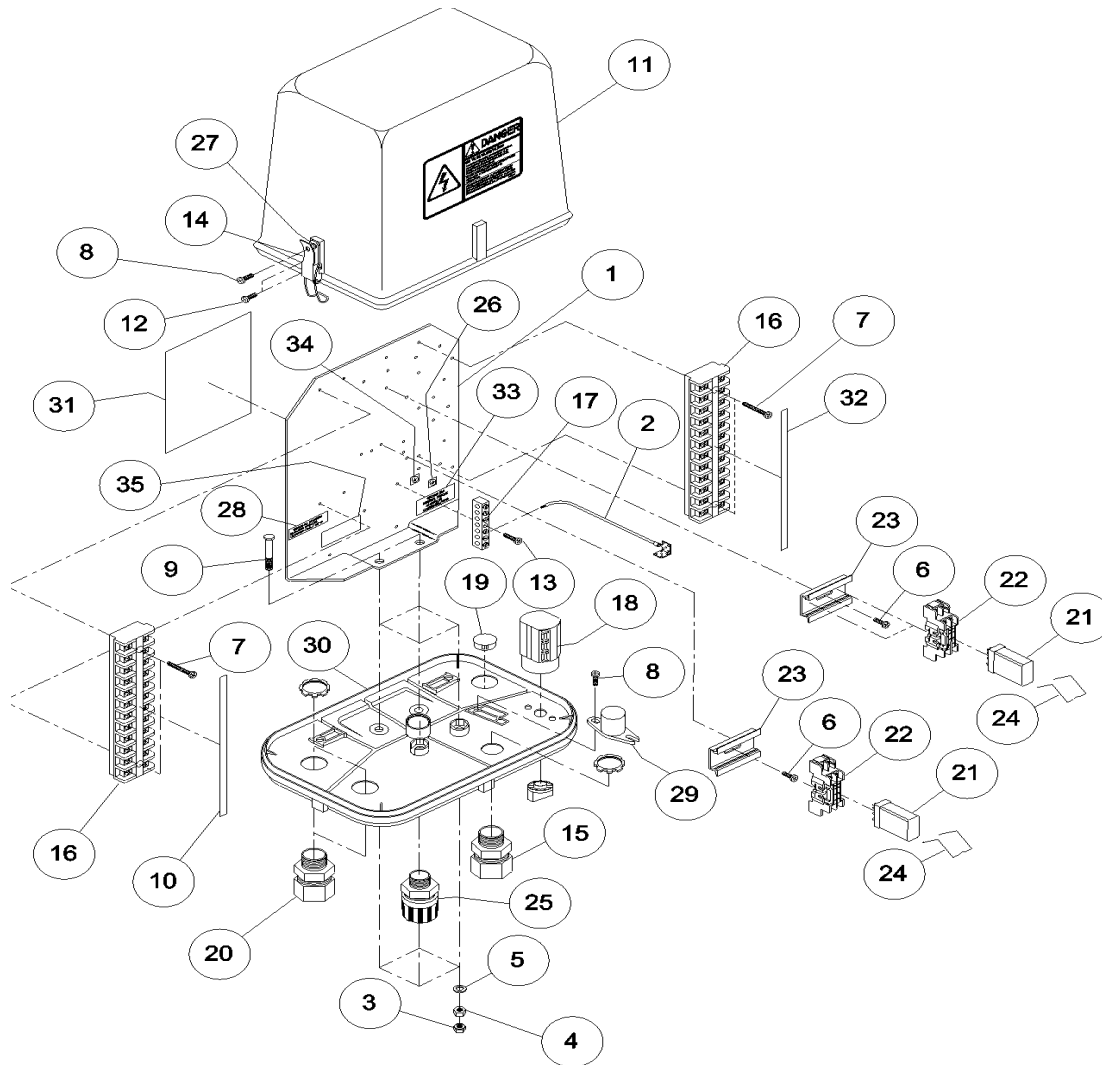
Ref.	Original Part No.	Substitute Part No.	Description
1	3-4017-4		Plate, Starter Mount
2	3-4629-6		Termifoil Assembly
3	6-0262-3		Nut, 5/16-18, Lock, Nylon Inst.
4	6-0822-4		Nut, 5/16-18, Hex, Zinc
5	6-4822-0		Latch, Pull Down, 3 Hole
6	6-3146-5		Screw, 5/16-18x1-1/2,Hex, Zinc
7	0636621		Decal, Built-Tested
8	6-3909-6		Screw,#8-32x1 1/4",PHP.PN.HD
9	6-0842-2		Washer, Flat, 1/4",AW,Zinc
10	1608384		Shield, Tower Box, Gray,480 Decal
11	6-0856-2		Screw,#6-20x1/2.PH.PN.HD,#25
12	1603279		Decal, Product ID
13	1609690		Nut, Connector, 1", Lock
14	1609727		Base, Tower Control Box, Black

Ref.	Original Part No.	Substitute Part No.	Description
15	6-4553-1		Screw,#8-32x3/4,PH.PN.HD,#23
16	9-7631-6	1610341	Bar, Ground Terminal, 6-#14, 6-#8
17	9-8986-3		Plug, Hole, Nylon, 7/8"
18	9-9020-0		Plug, Caplug, #9X
19	9-9161-2		Nut, Conduit, 3/4", Lock
20	1609689		Connector, 3/4" Str. Rel., .8-.9" Dia.
21	13-7555-0		Decal Terminal Torque,GoundBar
22	11-2837-0		Connector, 3/4", w/o Nut, .7-.8" Dia.
23	11-3530-0		Washer, Lock,5/16",Int. Tooth
24	11-5572-0		Block, Terminal, 12 Pt.
25	11-7857-3		Decal, Nameplate, Jct. 8-10 AWG
26	11-7999-3		Decal, Terminal Marker, Std-N.L.
27	6-4234-8		Screw,6-20x3/8,PH.PN.HD,#25
28	11-7429-1		Sleeve, Captive, Tower Box, CE
29	11-9770-0		Decal, Terminal torque, USD
30	11-7357-4		Decal, P.E., Ground Symbol
31	1601326		Decal, Green/Yellow, PE



# Tower Panels

## Panel, Junction, FieldPLUS, 1179316



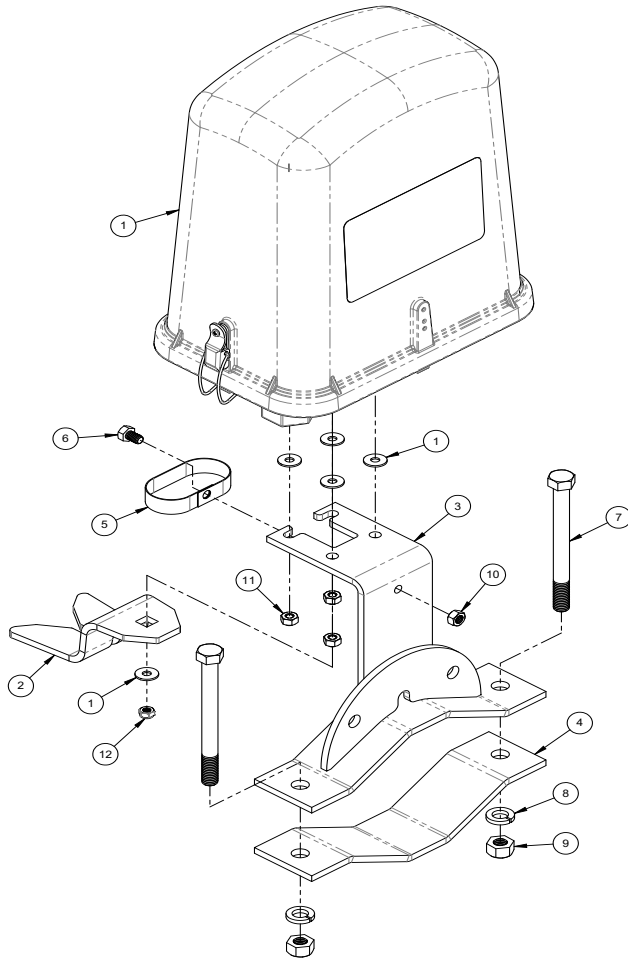
Ref.	Original Part No.	Substitute Part No.	Description
1	03-4017-4		Plate, Starter Mount
2	03-4629-6		Termifoil Assembly
3	06-0262-3		Nut, 5/16-18, Lock, Nylon Insert
4	06-0822-4		Nut, 5/16"-18, Hex
5	06-0842-2		Washer, Flat, 1/4"
6	06-0847-1		Screw, #8-32 x 3/8", Ph Pn Hd, #23
7	06-0850-5		Screw, #8-32 x 1", Ph. Pn. Hd, #23
8	06-0856-2		Screw, #6-20 x 1/2", Ph.Pan Hd, #25
9	06-3146-5		Screw, 5/16-18 x 1-1/2", Hex, Gr. 5
10	06-4071-4		Decal, Terminal Marker, N-L, 10W
11	1608384		Shield, Tower Box, Gray, 480 Decal
12	06-4234-8		Screw, #6-20 x 3/8", Ph.Pn.Hd., #25
13	06-4553-1		Screw, #8-32 x 3/4", Ph.Pn.Hd., #23
14	06-4822-0		Latch, Pull Down, 3 Hole
15	09-0838-4		Connector, 3/4" w/Nut, .7-.8" Dia.
16	09-7602-7		Block, Term, 12 Pt., #CR151B26AF
17	09-7631-6	1610341	Bar, Ground Terminal, 6-#14, 6-#8

Ref.	Original Part No.	Substitute Part No.	Description
18	09-8866-7		Switch, Rotary Pwr, 6 PST, 10 AMP
19	09-8986-3		Plug, Hole, Nylon, 7/8"
20	09-9183-6		Connector, 3/4" w/Nut, .6-.7" Dia.
21	11-0015-5		Relay, Plug-In
22	11-0016-3		Socket, Relay, DPDT, 7 Amp, 300V
23	11-1788-6		Rail, Din, 2"
24	11-1797-7		Spring, Relay Retainer, SPDT
25	11-2835-4		Connector, 1/2", w/o Nut, .37-.5 Dia.
26	11-7357-4		Decal, Protective Earth (GRD)
27	11-7429-1		Sleeve, Captive, Tower Box
28	11-9047-0		Decal Terminal Torque, GE
29	12-2401-0		Switch, Tilt
30	1608480		Base, J-Panel
31	12-2408-0		Decal, Wiring Diagram, J-Panel
32	12-2409-0		Decal, Terminal Marker
33	13-7555-0		Decal, Terminal Torque, Groundbar
34	1601326		Decal, Green/Yellow, PE
35	1179605		Decal, ETL



# Tower Panels

## Tower Control Panel, FieldPLUS, 10 Wire, 1609914

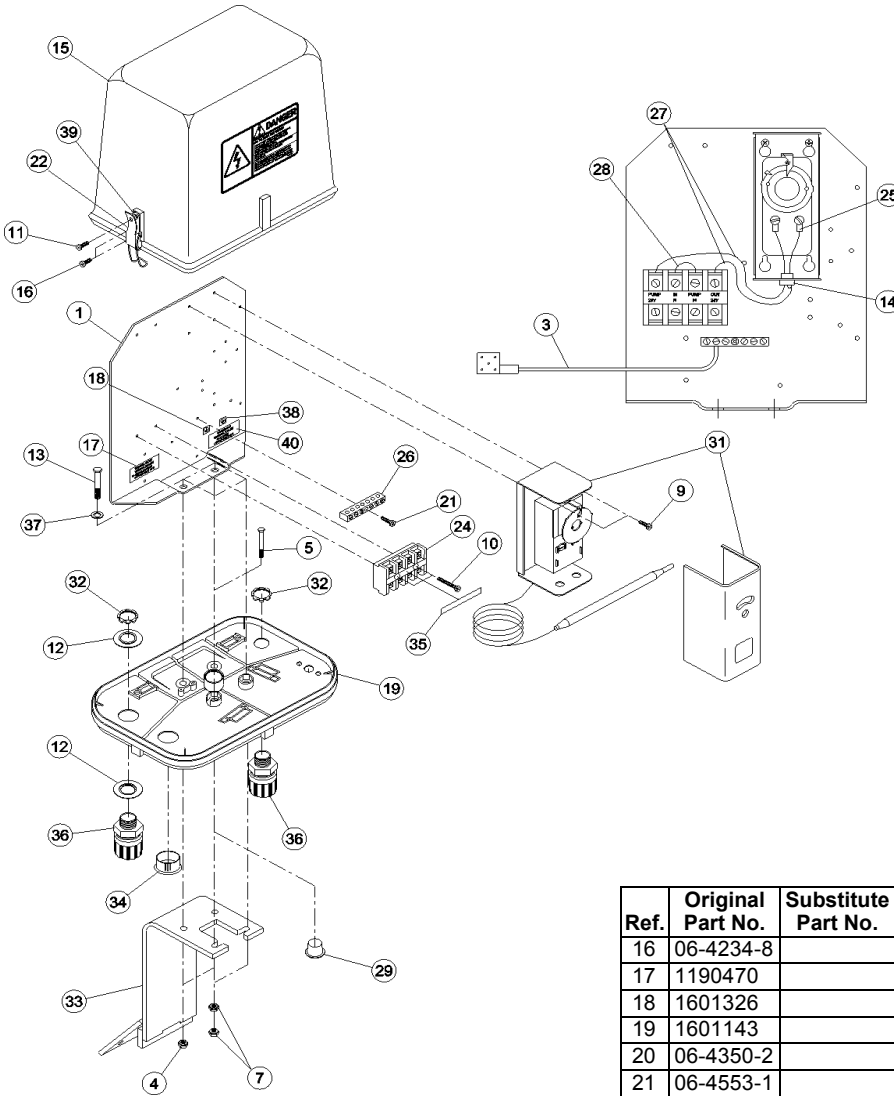


Ref.	Original Part No.	Substitute Part No.	Description
1	1610577		Panel, Twr, Ctrl, FPLUS, Partial
2	1603388		Arm, Cam, Field+Twr Panel. Alum.
3	1173160		Bracket, Weld, Panel
4	0472431		Clamp, Saddle, 5-9/16 to 8-5/8"
5	1384560		Spring, Cam, FieldPLUS
6	1202490		Screw, 5/16-18x1/2", Hex
7	0630707		Screw, 1/2-13x5-1/2", Hex
8	0608141		Washer, 1/2", Lock, Helical
9	0608240		Nut, 1/2-13, Hex
10	0608224		Nut, 5/16-18, Hex
11	0602623		Nut, 5/16-18, Nylock
12	0642678		Nut, 1/4-20, Nylock



# Tower Panels

## Low Temperature Panel Assembly, 1094853

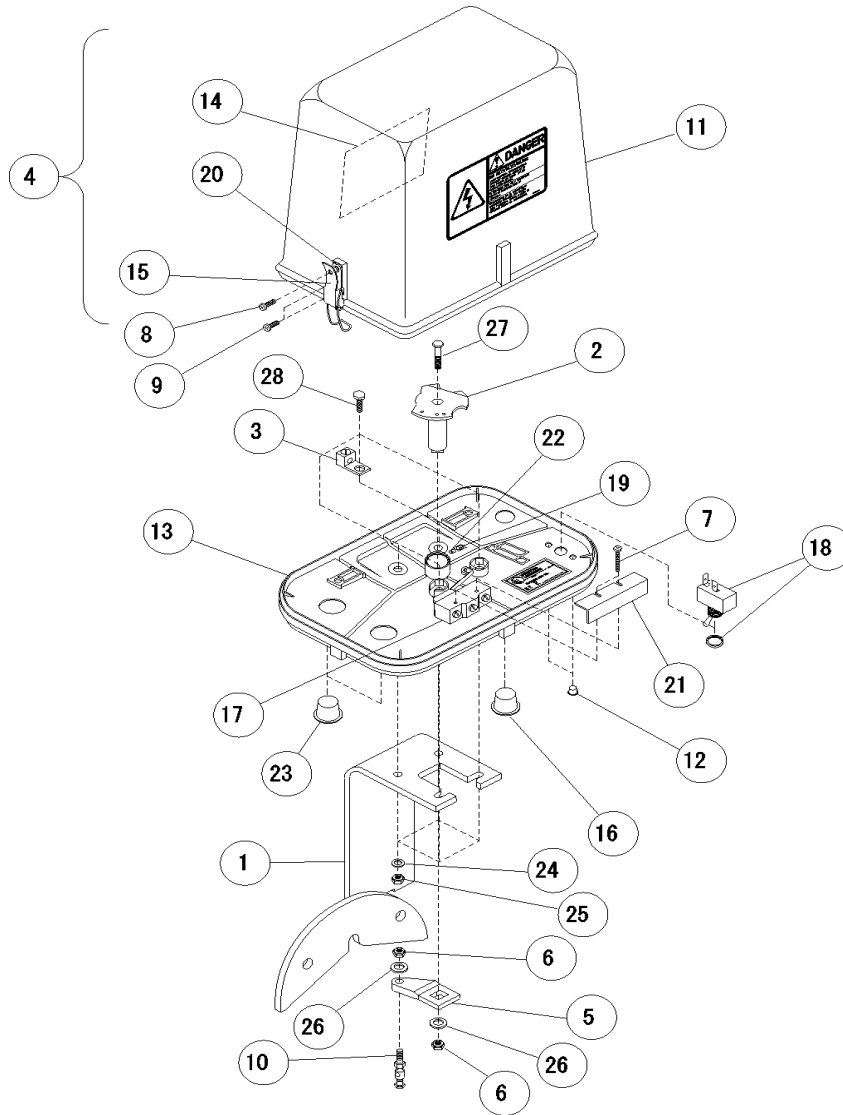


Ref.	Original Part No.	Substitute Part No.	Description
1	03-4017-4		Plate, Starter Mount
2	03-4027-3		Cable, Elect., 4# 14 x 7"
3	03-4629-6		Termifoil Assembly
4	06-0262-3		Nut, 5/16-18, Lock, Nylon Insert
5	06-0799-4		Screw, 1/4-20 x 2, Sl. Rnd. Head
6	06-0840-6		Bolt, 1/4-20 x 2-1/2", J
7	06-0841-4		Nut, 1/4-20, Hex
8	06-0842-2		Washer, Flat, 1/4"
9	06-0847-1		Screw, #8-32 x 3/8", Ph Pn Hd, #23
10	06-0850-5		Screw, #8-32 x 1", Ph. Pn. Hd, #23
11	06-0856-2		Screw, #6-20 x 1/2", Ph. Pn. Hd, #25
12	06-2158-1		Washer, Reduc., 3/4 x 1/2", Conduit
13	06-3146-5		Screw, 5/16-18 x 1-1/2", Hex, Gr. 5
14	06-3898-1		Grommet, Rubber, 5/8" ID x 1-1/8OD
15	1608384		Shield, Tower Box, Gray, 480 Decal

Ref.	Original Part No.	Substitute Part No.	Description
16	06-4234-8		Screw, #6-20 x 3/8", Ph.Pn.Hd., #25
17	1190470		Decal, Term Block Torque
18	1601326		Decal, Green/Yellow, PE
19	1601143		Base, Tower Control Box, Gray
20	06-4350-2		Instru, Low Temp. Shutdown
21	06-4553-1		Screw, #8-32 x 3/4", Ph.Pn.Hd., #23
22	06-4822-0		Latch, Pull Down, 3 Hole
23	09-0839-2		Connector, 1/2" w/Nut, .37-.50 Dia.
24	09-7604-3		Block, Term., 4 Pt., #CR151B46AF
25	09-7608-4		Term., Wire, B, #16-14, Spade 8, Ins.
26	09-7631-6	1610341	Bar, Ground Terminal, 6-#14, 6-#8
27	09-8928-5		Wire, Electric, 16 TEW, Red
28	09-8929-3		Wire, Electric, 16 TEW, White
29	09-9020-0		Plug, Caplug, #9X
30	09-9033-3		Clamp, Tube, 3/8", Insulated
31	09-9034-1		Switch, Low Temperature
32	09-9156-2		Nut, Conduit, 1/2", Lock, Zn
33	10-0942-2		Mount, Weld, Transmitter Panel
34	10-9483-8		Bushing, Universal, 1-1/8
35	10-9484-6		Decal, Terminal Marker, LT
36	11-2835-4		Connector, 1/2" w/o Nut, .37-.50 Dia
37	11-3530-0		Washer, Lock, 5/16", Int. Tooth
38	11-7357-4		Decal, Protective Earth (GRD)
39	11-7429-1		Sleeve, Captive, Tower Box
40	13-7555-0		Decal, Terminal Torque, Groundbar

# Tower Panels

## Safety Switch Control Panel, 0365742



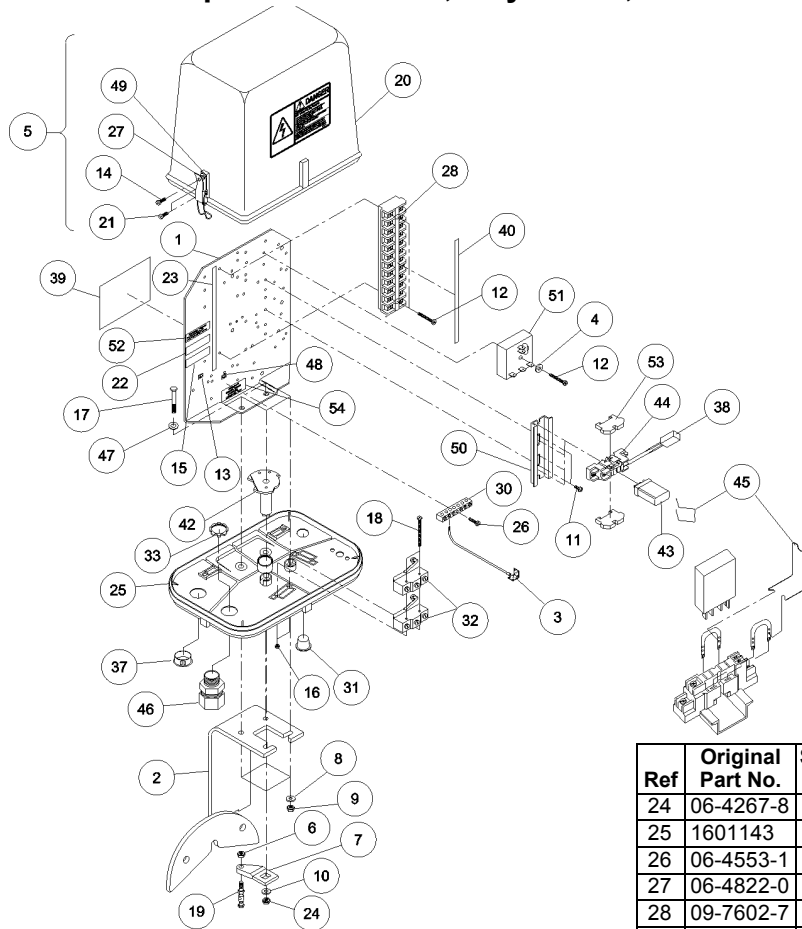
Ref	Original Part No.	Substitute Part No.	Description
1	3-2822-9		Mount, Tower Box, Square Mount
2	1609082		Cam, Safety Switch
3	3-6578-3		Terminal, Wire Lug, Safety Switch
4	3-7641-8		Shield Assy, Tower Panel, Black
5	1609021		Arm, Cam, Tower Control Box
6	0642678		Nut, 1/4-20, Hex
7	6-0851-3		Screw, #6-20 x 1", Ph. Pan Hd, #25
8	0608562		Screw, #6-20 x 1", PHP, #25, SS
9	0642348		Screw, #6-20 x 3/8", PHP, #25
10	6-3910-4	1607512	Swivel, Set Screw, 1/4", 5/16" Rod
11	1608384		Shield, Tower Box, In, 480 Decal
12	6-4235-5		Plug, Hole, Nylon, 1/4" x .062" Thick
13	1601679		Base, Tower Control Box, Gray
14	6-4545-7		Decal, Nameplate
15	6-4822-0		Latch, Pull Down, 3 Hole

Ref	Original Part No.	Substitute Part No.	Description
16	0989863		Plug, Hole, Nylon, 7/8"
17	9-9030-9		Switch, Micro, SPDT, 15A, 120V, w/R
18	9-9216-4		Switch, Toggle, SPDT
19	11-7357-4		Decal, P.E. Ground Symbol
20	11-7429-1		Sleeve, Captive, Tower Box
21	11-7353-3		Shield, Micro-switch, CE
22	1601326		Decal, Green/Yellow, "PE"
23	0992974		Plug, Hole, Nylon, 1-1/8"
24	0608125		Washer, 5/16", Lock, Helical
25	0608224		Nut, 5/16-18, Hex
26	0608422		Washer, 1/4", Flat
27	1184050		Screw, 1/4-20 x 1", Hex, SS
28	0631465		Screw, 5/16-18 x 1-1/2, Hex



# Tower Panels

## Auto Rev/Stop Control Panel, Any Tower, 1000520



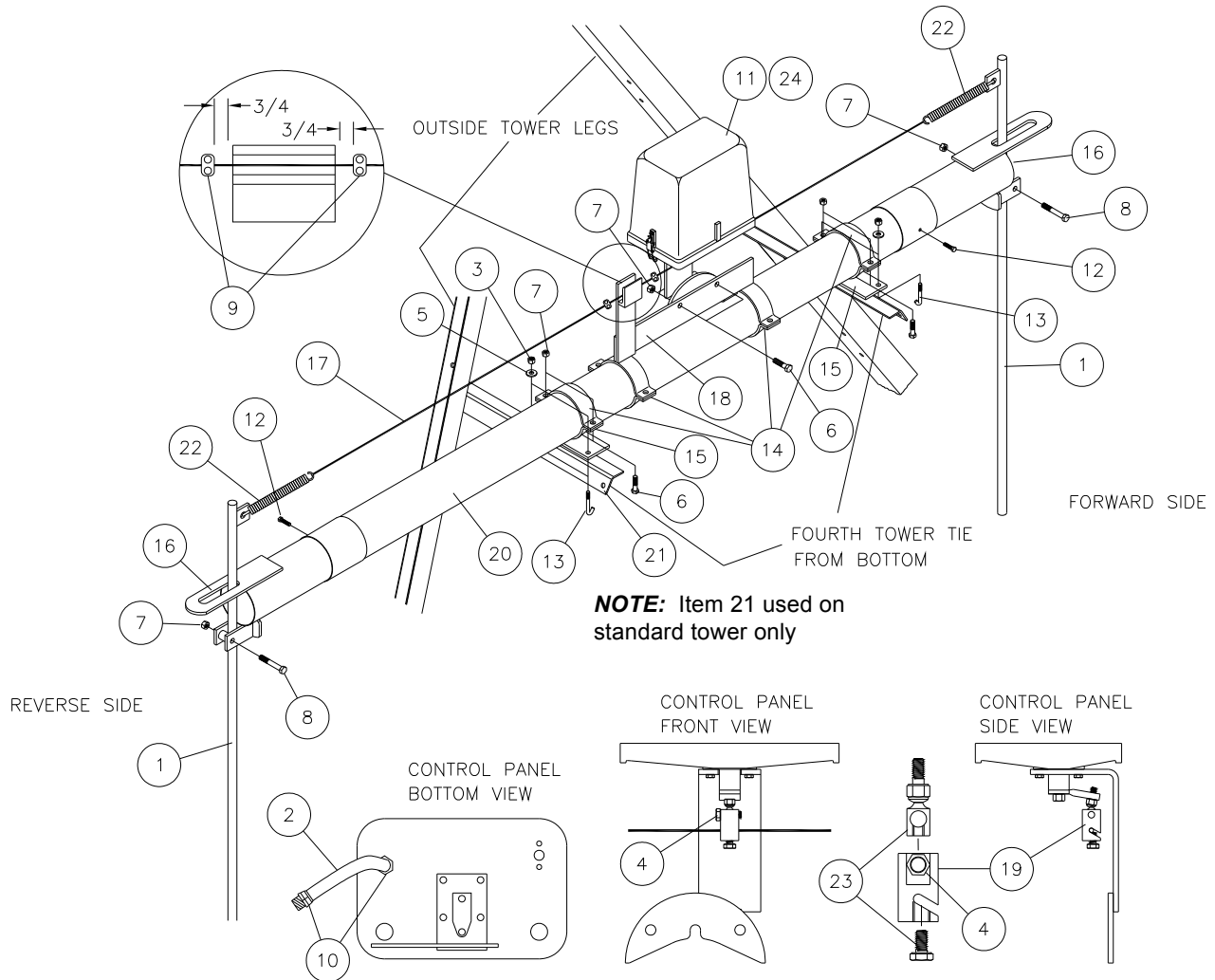
Ref.	Original Part No.	Substitute Part No.	Description
1	03-4017-4		Plate, Starter Mount, Model 2
2	03-2822-9		Mount Weld., Twr. Box, Sq. Mount
3	03-4629-6		Termifoil Assembly
4	0639682		Washer, #8, Flat
5	03-7641-8		Shield Assy, Tower Ctrl. Box, Gray
6	0602409		Nut, 5/16-18, Hex, Stainless
7	06-0460-3		Arm, Cam, Tower Control Box
8	06-0812-5		Washer, Lock, 5/16"
9	06-0822-4		Nut, 5/16"-18, Hex
10	06-0842-2		Washer, Flat, 1/4"
11	06-0847-1		Screw,#8-32 x 3/8",Ph Pn Hd,#23
12	06-0850-5		Screw, #8-32 x 1", Ph. Pn. Hd, #23
13	1601326		Decal, Green/Yellow, PE
14	06-0856-2		Screw, #6-20 x 1/2",Ph.Pan Hd,#25
15	1179605		Decal, ETL
16	06-2200-1		Nut, 6-32, Hex
17	06-3146-5		Screw, 5/16-18 x 1-1/2", Hex, Gr. 5
18	06-3758-7		Screw, #6-32 x 2", Sl. Pn. Hd.
19	06-3910-4	1607512	Swivel, Set Screw, 1/4", 5/16" Rod
20	1608384		Shield, Tower Box, Gray,480 Decal
21	06-4234-8		Screw, #6-20 x 3/8", Ph.Pn.Hd.,#25
22	0636621		Decal, Built Tested
23	1609124		Decal, Terminal, LH Side, ARAS

Ref	Original Part No.	Substitute Part No.	Description
24	06-4267-8	0602409	Nut, 1/4-20, Lock, Nylon Insert
25	1601143		Base, Tower Control Box, Gray
26	06-4553-1		Screw, #8-32 x 3/4",Ph.Pn.Hd.,#23
27	06-4822-0		Latch, Pull-Down, 3 Hole
28	09-7602-7		Block,Term.,12 Pt.,#CR151B26AF
29			
30	09-7631-6	1610341	Bar, Ground Terminal, 6-#14, 6-#8
31	09-8986-3		Plug, Hole,Nyl.,7/8,Heyco,#DP-875
32	09-9030-9		Switch, Micro,SPDT,15A,120V,w/R
33	09-9161-2		Nut, Conduit, 3/4", Lock
34			
35			
36			
37	09-9297-4		Plug, Hole, 1-1/8" Nylon
38	09-9341-0		Suppressor, RC, 200 VDC, Mod. 2
39	10-0054-6		Decal, Nameplate, Auto Rev/Stop
40	10-0055-3		Decal, Term. Marker, Auto Rev/Stop
41			
42	1609090		Cam, Long, Auto Rev/Stop
43	10-0060-3		Relay, Plug-In, SPDT
44	10-0061-1		Socket, Relay, Plug-In, 5 Bl., 300V
45	11-1797-7		Spring, Relay Retainer, SPDT
46	11-2836-2		Connector, 3/4" w/o Nut, .6-.7" Dia.
47	11-3530-0		Washer, Lock, 5/16", Internal Tooth
48	11-7357-4		Decal, P.E., Ground Symbol
49	11-7429-1		Sleeve, Captive, Tower Box
50	11-7787-2		Rail, Din, 4"
51	11-7940-7		Timer Assembly, 3.3 Second, N.C.
52	11-9047-0		Decal, Terminal Torque, GE
53	12-4620-0		Block, Terminal,Endstop, Screwless
54	13-7555-0		Decal, Terminal Torque, Groundbar



# Tower Panels

## Auto Reverse w/Stop, Any Tower or FieldPLUS, Barricade Stop



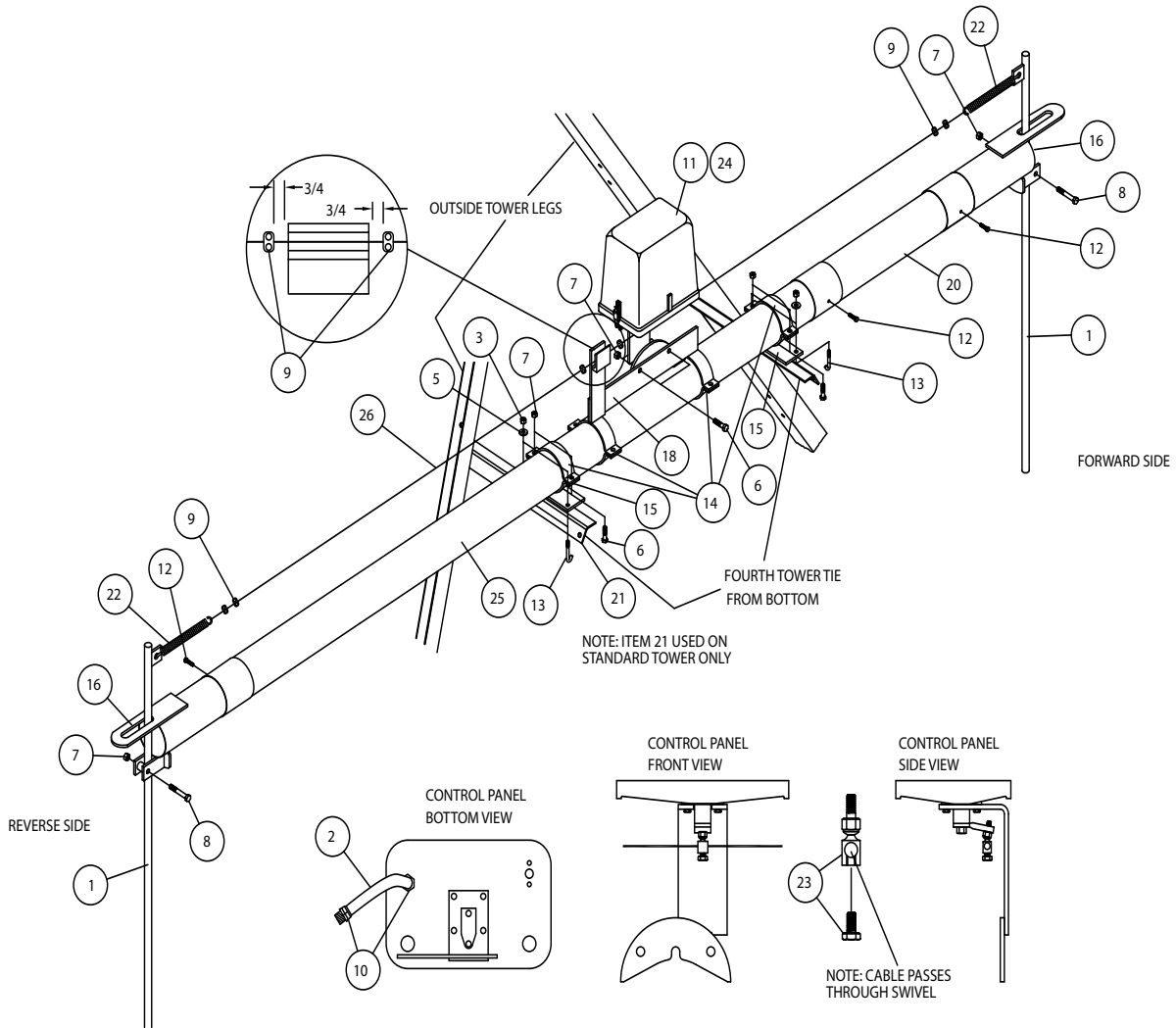
Ref.	Original Part No.	Substitute Part No.	Description
1	04-6579-9		Rod, Control, Safety Switch, 60"
2	03-8146-7	1609550	Cable, Elec., 4#14, 6# 18 x 7'
3	06-0262-3		Nut, 5/16-18, Lock, Nylon Insert
4	06-0802-6		Screw, 5/16-18 x 1", Hex
5	06-0817-4		Washer, Flat, 5/16"
6	06-2221-7		Screw, 3/8-16 x 1", Hex, Gr. 5
7	06-2420-5		Nut, 3/8-16, Lock
8	06-2451-0		Screw, 3/8-16 x 2-1/2" Hex, Gr. 5
9	06-2621-8		Clamp, Cable, 3/16"
10	09-9183-6		Connector, 3/4", w/Nut, .6-.7 Dia.
11	10-0052-0		Panel, Control, Auto Rev./Stop
12	10-9699-9		Screw, #14 x 1", Hex, Self-Drill

Ref.	Original Part No.	Substitute Part No.	Description
13	11-0559-2		Bolt, 5/16-18 x 2-1/2", "J"
14	11-7813-6		Clamp, Saddle, 4"
15	11-7815-1		Mount Weld, 4" Tube
16	11-7820-1		Joint, Rod Mount, Complete
17	11-7822-7		Cable, 3/16" x 21'
18	11-7825-0		Mount, Panel and Cable Guide
19	11-7826-8		Lug, Cable Attachment
20	11-8060-3		Pipe, Safety Rod Mount
21	11-9310-0		Angle, Tube Mounting
22	26-1149-9		Spring, Yoke
23	06-3910-4	1607512	Swivel, Set Screw
24	12-2376-0		Panel, Tower Stop



# Tower Panels

## Auto Reverse/Auto Shutdown, Super High Clearance



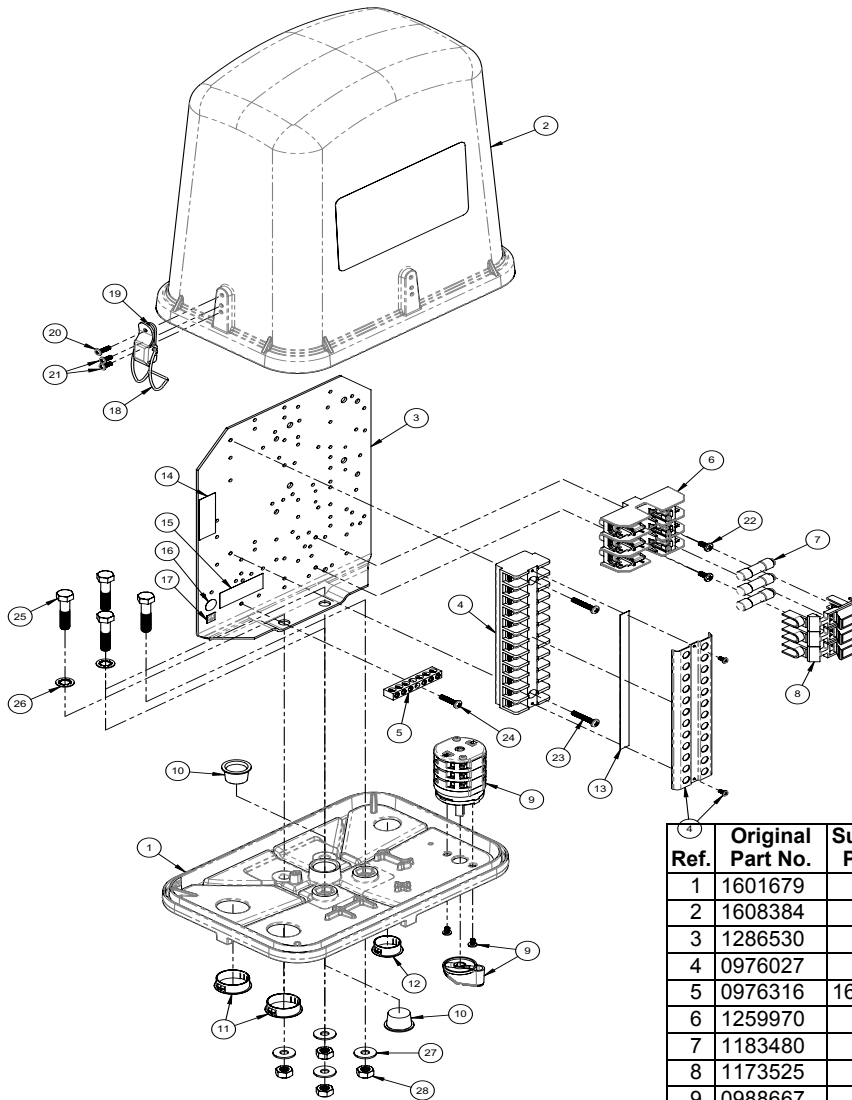
Ref.	Part No.	Description
1	4-6579-9	Rod, Control, Safety Switch, 60"
2	3-8157-4	Cable, Elec., 4#14, 6# 18 x 28'-6"
3	6-0262-3	Nut, 5/16-18, Lock, Nylon Insert
4		
5	6-0817-4	Washer, Flat, 5/16"
6	6-2221-7	Screw, 3/8-16 x 1", Hex, Gr. 5
7	6-2420-5	Nut, 3/8-16, Lock
8	6-2451-0	Screw, 3/8-16 x 2-1/2" Hex, Gr. 5
9	26-0055-9	Clamp, Cable, 1/4"
10	9-9183-6	Connector, 3/4", w/Nut, .6-.7 Dia.
11	10-0052-0	Panel, Control, Auto Rev./Stop
12	10-9699-9	Screw, #14 x 1", Hex, Self-Drill
13	11-0559-2	Bolt, 5/16-18 x 2-1/2", "J"

Ref.	Part No.	Description
14	11-7813-6	Clamp, Saddle, 4"
15	11-7815-1	Mount Weld, 4" Tube
16	11-7820-1	Joint, Rod Mount, Complete
17		
18	11-7825-0	Mount, Panel and Cable Guide
19		
20		
21	11-9310-0	Angle, Tube Mounting
22	26-1149-9	Spring, Yoke
23	1607512	Swivel, Set Screw
24	11-8294-6	Panel, Control, Auto Rev./Stop
25	16-0046-8	Pipe, Safety, 4" Rod Mt., 26'
26	11-5653-8	Cable, Aircraft, 7x19, 1/4" x 27'



# Tower Panels

## Tower Panel, Line Reactor, 8A, 1283630

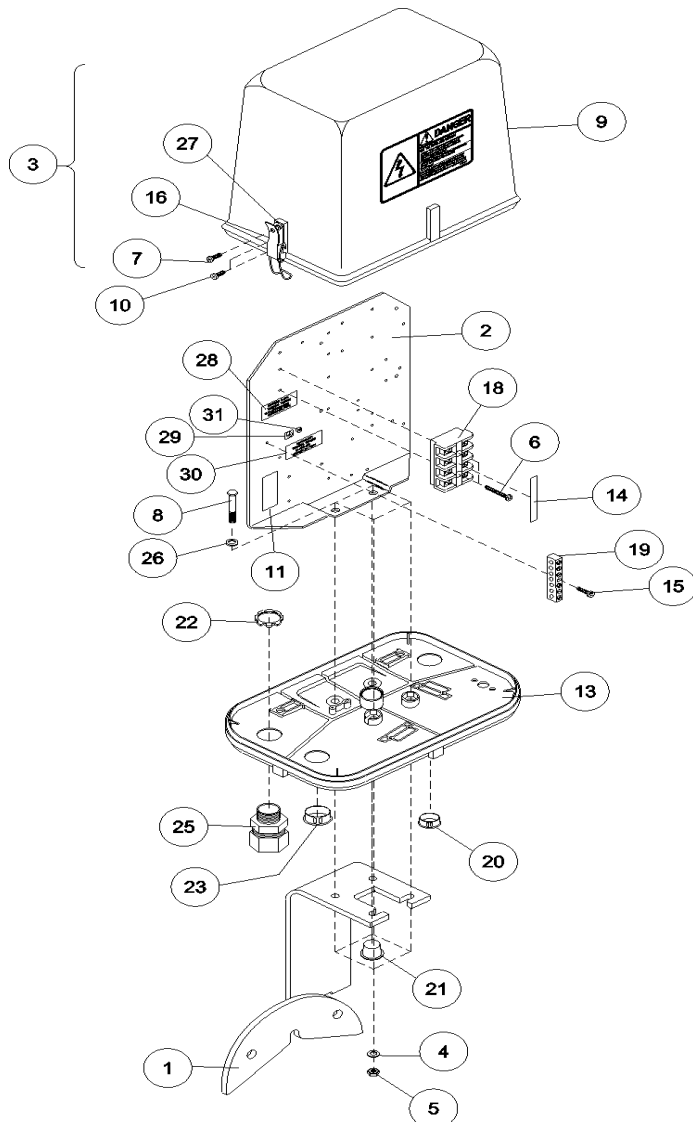


Ref.	Original Part No.	Substitute Part No.	Description
1	1601679		Base, Twr, Cont. Box, Gray, Switch
2	1608384		Shield, Twr, Cont. Box, Gray, Hazrd
3	1286530		Plate, Steer Tower Mount, Corner Mod
4	0976027		Block, Term, 12PT, CR151B26AF
5	0976316	1610341	Ground Bar, Term, 6-#14, 6-#8
6	1259970		Fuseholder, 600V, 30A, 3 Pole, CC
7	1183480		Fuse, 10A, 600V, Class CC
8	1173525		Cover, Fuseholder, CE
9	0988667		Switch, Rotary Pwr, 6 PST, 10A
10	0990200		Plug, Caplug #9X
11	0992974		Plug, Hose, 1-1/8" Nylon
12	0989863		Plug, Hole, Nylon, 7/8"
13	0640714		Decal, Term. Mark, Std4N-L, 10 Wire
14	1190470		Decal, Term Block, Torque, CE
15	1375550		Decal, Terminal Torque, Groundbar
16	1601326		Decal, Green/Yellow, PE
17	1173574		Decal, PE, Ground Symbol
18	0648220		Latch, Pull-Down, 3 Hole
19	1174291		Sleeve, Captive, Tower Box
20	0608562		Screw, #6-20x1/2", PH, PN HD, #25
21	0642348		Screw, #6-20x3/8", PH, PN HD, #25
22	0608471		Screw, #8-32x3/8", PH, PN HD, #23
23	0608505		Screw, #8-32x1", PH, PN HD, #23
24	0645531		Screw, #8-32x3/4", PH, PN HD, #23
25	0631465		Screw, 5/16-18x1-1/2", Hex
26	1135300		Washer, 5/16", Lock, In. Tooth
27	0608422		Washer, 1/4", Flat
28	0608224		Nut, 5/16-18, Hex



# Tower Panels

## Boost Transformer Panel, 0382663



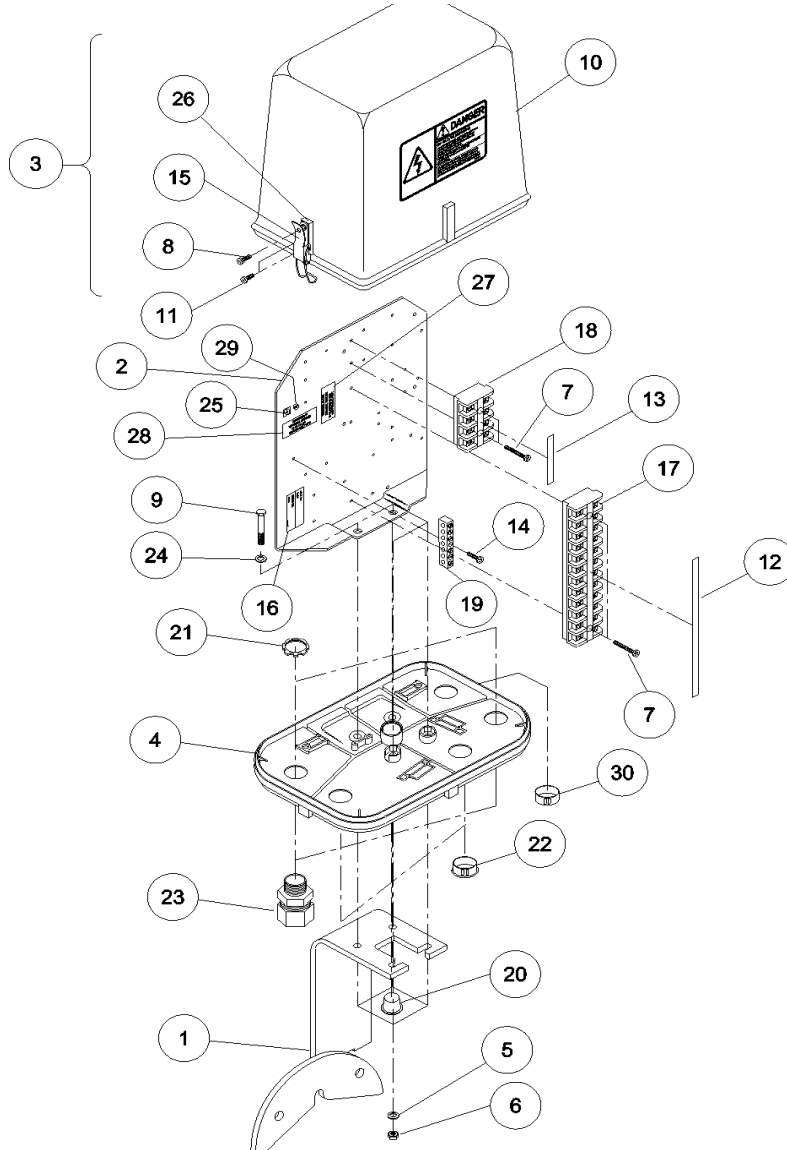
Ref.	Original Part No.	Substitute Part No.	Description
1	03-2822-9		Mount, Tower Box, Square Mount
2	03-4017-4		Plate, Starter Mount
3	03-7641-8		Shield Assy, Tower Panel, Gray
4	06-0812-5		Washer, Lock, 5/16"
5	06-0822-4		Nut, 5/16"-18, Hex
6	06-0850-5		Screw, #8-32 x 1", Ph. Pn. Hd, #23
7	06-0856-2		Screw, #6-20 x 1/2", Ph. Pan Hd, #25
8	06-3146-5		Screw, 5/16-18 x 1-1/2", Hex, Gr. 5
9	1608384		Shield, Tower Box Gray, 480 Decal
10	06-4234-8		Screw, #6-20 x 3/8", Ph. Pn. Hd., #25
11	0636621		Decal, Built Tested
12			
13	1601143		Base, Tower Control, Box, Gray
14	06-4467-4		Decal, Terminal Marker
15	06-4553-1		Screw, #8-32 x 3/4", Ph. Pn. Hd., #23

Ref.	Original Part No.	Substitute Part No.	Description
16	06-4822-0		Latch, Pull-Down, 3 Hole
17			
18	09-7604-3		Block, Term., 4 Pt., #CR151B46AF
19	09-7631-6	1610341	Bar, Ground Terminal, 6-#14, 6-#8
20	09-8986-3		Plug, Hole, Nyl., 7/8 Heyco, #DP-875
21	09-9020-0		Plug, Caplug, #9X
22	09-9161-2		Nut, Conduit, 3/4", Lock
23	09-9297-4		Plug, Hole, 1-1/8" Nylon
24	10-9700-5		Kit, Box, Booster Transformer
25	11-2837-0		Connector, 3/4" w/o Nut, .7-.8" Dia.
26	11-3530-0		Washer, Lock, 5/16", Internal Tooth
27	11-7429-1		Sleeve, Captive, Tower Box
28	11-9047-0		Decal, Terminal Torque, GE
29	11-7357-4		Decal, P.E., Ground Symbol
30	13-7555-0		Decal, Terminal Torque, Groundbar
31	1601326		Decal, Green/Yellow, "PE"



# Tower Panels

## Boost Transformer Panel, Junction, 0382671 CE



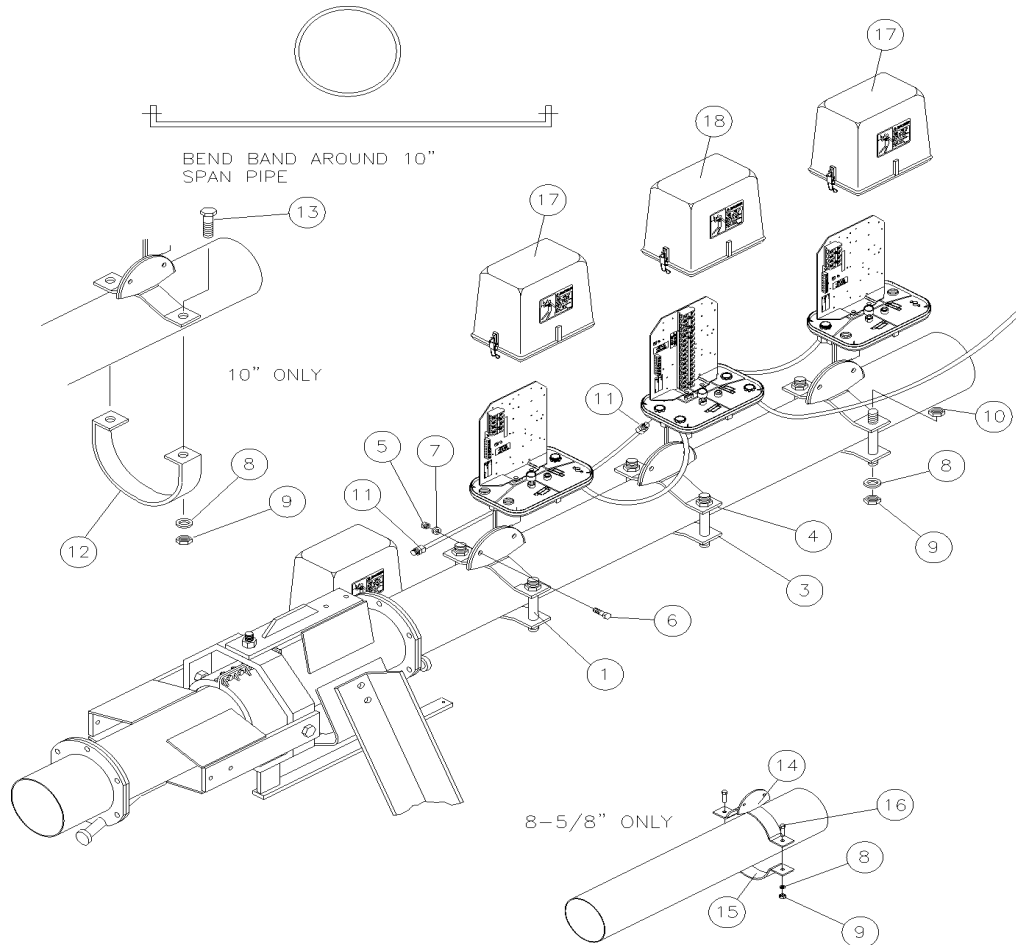
Ref.	Original Part No.	Substitute Part No.	Description
1	03-2822-9		Mount, Tower Box, Square Mount
2	03-4017-4		Plate, Starter Mount
3	03-7641-8		Shield Assy, Tower Panel, Gray
4	1608472		Base, Junction Control Panel
5	06-0812-5		Washer, Lock, 5/16"
6	06-0822-4		Nut, 5/16"-18, Hex
7	06-0850-5		Screw, #8-32 x 1", Ph. Pn. Hd, #23
8	06-0856-2		Screw, #6-20 x 1/2", Ph. Pan Hd, #25
9	06-3146-5		Screw, 5/16-18 x 1-1/2", Hex, Gr. 5
10	1608384		Shield, Tower Box, Gray, 480 Decal
11	06-4234-8		Screw, #6-20 x 3/8", Ph. Pn. Hd., #25
12	06-4465-8		Decal, Term. Mkr, Junct. Box, 12 Pt.
13	06-4466-6		Decal, Term. Mkr, Junct. Box, 4 Pt.
14	06-4553-1		Screw, #8-32 x 3/4", Ph. Pn. Hd., #23

Ref.	Original Part No.	Substitute Part No.	Description
15	06-4822-0		Latch, Pull-Down, 3 Hole
16	0636621		Decal, Built Tested
17	09-7602-7		Block, Term., 12 Pt., #CR151B26AF
18	09-7604-3		Block, Term., 4 Pt., #CR151B46AF
19	09-7631-6	1610341	Bar, Ground Terminal, 6-#14, 6-#8
20	09-9020-0		Plug, Caplug, #9X
21	09-9161-2		Nut, Conduit, 3/4", Lock
22	09-9297-4		Plug, Hole, 1-1/8" Nylon
23	11-2837-0		Connector, 3/4" w/o Nut, .7-.8" Dia.
24	11-3530-0		Washer, Lock, 5/16", Internal Tooth
25	11-7357-4		Decal, P.E., Ground Symbol
26	11-7429-1		Sleeve, Captive, Tower Box
27	11-9047-0		Decal, Terminal Torque, GE
28	13-7555-0		Decal, Terminal Torque, Groundbar
29	1601326		Decal, Green/Yellow, "PE"
30	0989863		Plug, Nylon, 7/8"



# Tower Panels

## Boost Transformer Assembly

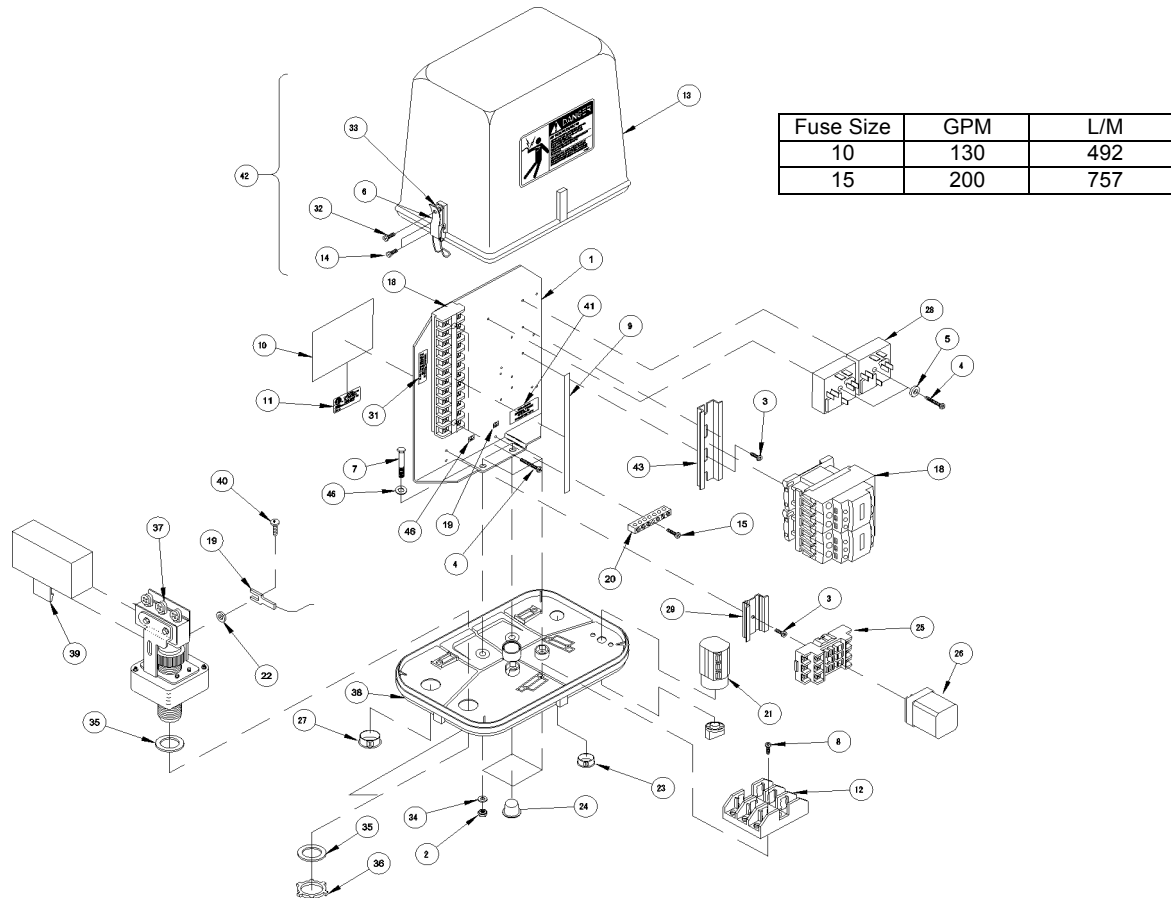


Ref.	Original Part No.	Substitute Part No.	Description
1	03-5272-4		Rod, Threaded, 1/2-13 x 9"
2	03-6664-1		Cable, Elec., 4#10, 6#14, 15'
3	04-7243-1		Clamp, Saddle, 5-9/16-8 x 2-1/2"
4	16-0065-8		Mount, Transformer Tower Box
5	06-0120-3		Nut, 3/8-16, Hex
6	06-0803-4		Screw, 3/8-16 x 1-1/2", HHC, Gr. 5
7	06-0813-3		Washer, Lock, 3/8"
8	06-0814-1		Washer, Lock, 1/2"
9	06-0824-0		Nut, 1/2-13, Hex
10	06-2418-9		Nut, 1/2-13, Lock
11	09-0838-4		Connector, 3/4", 70-80 Dia. w/Nut
12	10-1756-5		Band, Booster Trans., 10" Pipe
13	26-0760-4		Screw, 1/2-13 x 1-1/2", Hex, Gr.5
14	16-0065-9		Mount, 8-5/8", Transformer Tower
15	15-0312-0		Clamp, Saddle, 8-5/8" x 1/4"
16	06-0805-9		Screw, 1/2-13 x 2", Hex, Gr. 5
17	03-8266-3		Box, Booster Transformer
18	03-8267-1		Panel, Junction, Booster Transformer



# Tower Panels

## Booster Pump Control Panel, 0377606

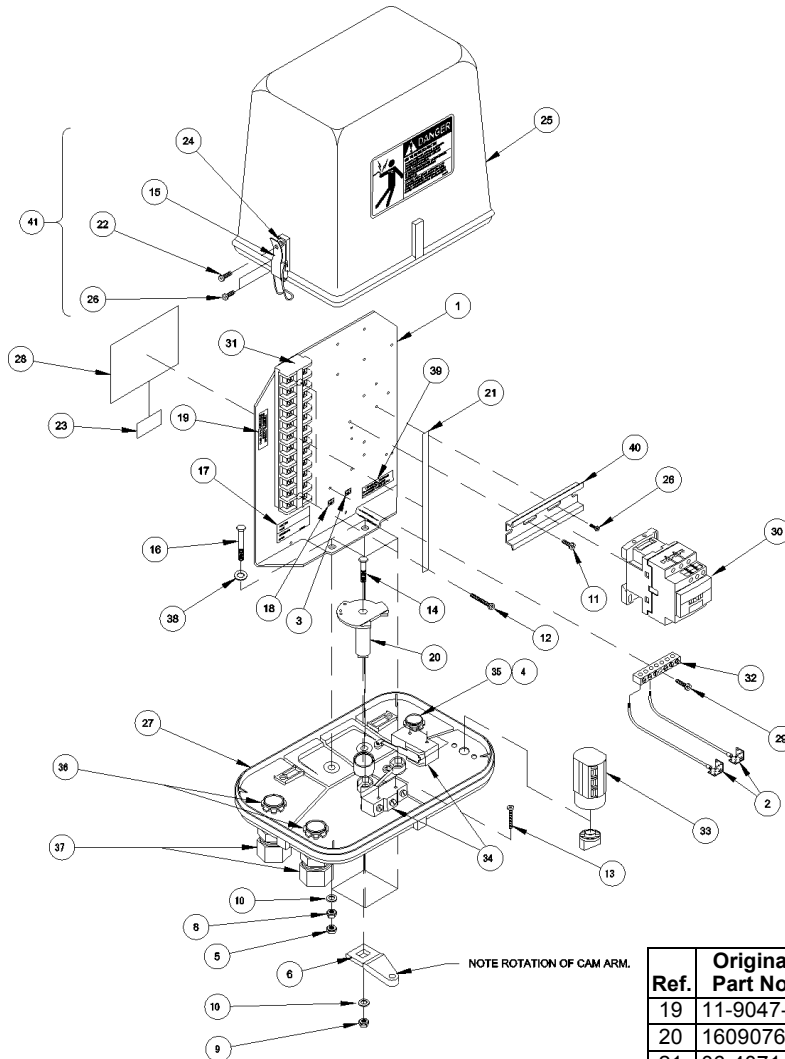


Ref.	Original Part No.	Substitute Part No.	Description
1	03-4017-4		Plate, Starter Mount
2	06-0822-4		Nut, 5/16"-18, Hex
3	06-0847-1		Screw,#8-32 x 3/8", Ph Pn Hd,#23
4	06-0850-5		Screw, #8-32 x 1", Ph. Pn. Hd.,#23
5	0639682		Washer, #8, Flat
6	06-4822-0		Latch, Pull-Down, 3 Hole
7	06-3146-5		Screw, 5/16-18 x 1-1/2", Hex, Gr. 5
8	0645531		Screw, #6-32 x 1/2",Ph.Pan Hd,#23
9	06-3711-6		Decal, Term. Mkr, Boost.Pump Pnl
10	1610359		Decal,Namepl.,Boost.Pump Ctr Pnl
11	11-7960-5		Decal, ETL
12	09-8923-6		Fuseholder, 600V, 30A, 3 Pole
13	1608384		Shield, Tower Box, Gray,480 Decal
14	06-4234-8		Screw,#6-20 x 3/8",Ph Pn Hd,#25
15	06-4553-1		Screw,#8-32 x 3/4",Ph. Pn. Hd.,#23
16	11-8921-0		Contactora,3P REV,MI w/AUX
17	11-7357-4		Decal, P.E., Ground Symbol
18	09-7602-7		Block,Term.,12 Pt.,#CR151B26AF
19	09-7608-4		Term, Wire, B, #16-14, Spade 8,Ins
20	09-7631-6	1610341	Bar, Ground Terminal, 6-#14, 6-#8
21	09-8866-7		Switch, Rotary Pwr,6 PST,10 AMP
22	06-3432-9		Washer, Lock, #8, I-Tooth

Ref.	Original Part No.	Substitute Part No.	Description
23	09-8986-3		Plug,Hole,Nyl.,7/8 Heyco,#DP-875
24	09-9020-0		Plug, Caplug, #9X
25	09-9182-8		Socket, 11 Blade, Square Mount
26	09-9245-3		Relay, 3 PDT, Enclosed, 120 VAC
27	09-9297-4		Plug, Hole, 1-1/8" Nylon
28	1610339		Timer Assy, 5 Sec., SPDT, 10A
29	11-1788-6		Rail, Din, 2"
30	11-3530-0		Washer, Lock, 5/16", Internal Tooth
31	11-9047-0		Decal, Terminal Torque, GE
32	06-0856-2		Screw, #6-20 x 1/2",Ph.Pan Hd,#25
33	11-7429-1		Sleeve, Captive, Tower Box
34	06-0842-2		Washer, Flat, 1/4"
35	06-2158-1		Washer, Reduc.,3/4 x 1/2", Conduit
36	09-9156-2		Nut, Conduit, 1/2", Lock
37	11-3570-6	1608373	Switch, Pressure, 2-50, PSI, SPDT
38	03-7763-0	1601679	Base, Tower Box, Threaded
39	11-8080-1		Cover, Terminal, Pressure Switch
40	13-4355-0		Screw, #8-32, 1/4", Ph. Pn. Hd. #23
41	13-7555-0		Decal, Terminal Torque, Grndbar
42	03-7641-8		Shield Assy, Tower Panel, Gray
43	11-7787-2		Rail, Din, 4"
44	11-7489-5		Fuse, 15A, 500V, D.E.T.D.
45	16-0003-5		Fuse, 10A, 500V, D.E.T.D.
46	1601326		Decal, Green/Yellow, PE

# Tower Panels

## Tower Control Panel, Std, Advance Alignment, 1494040



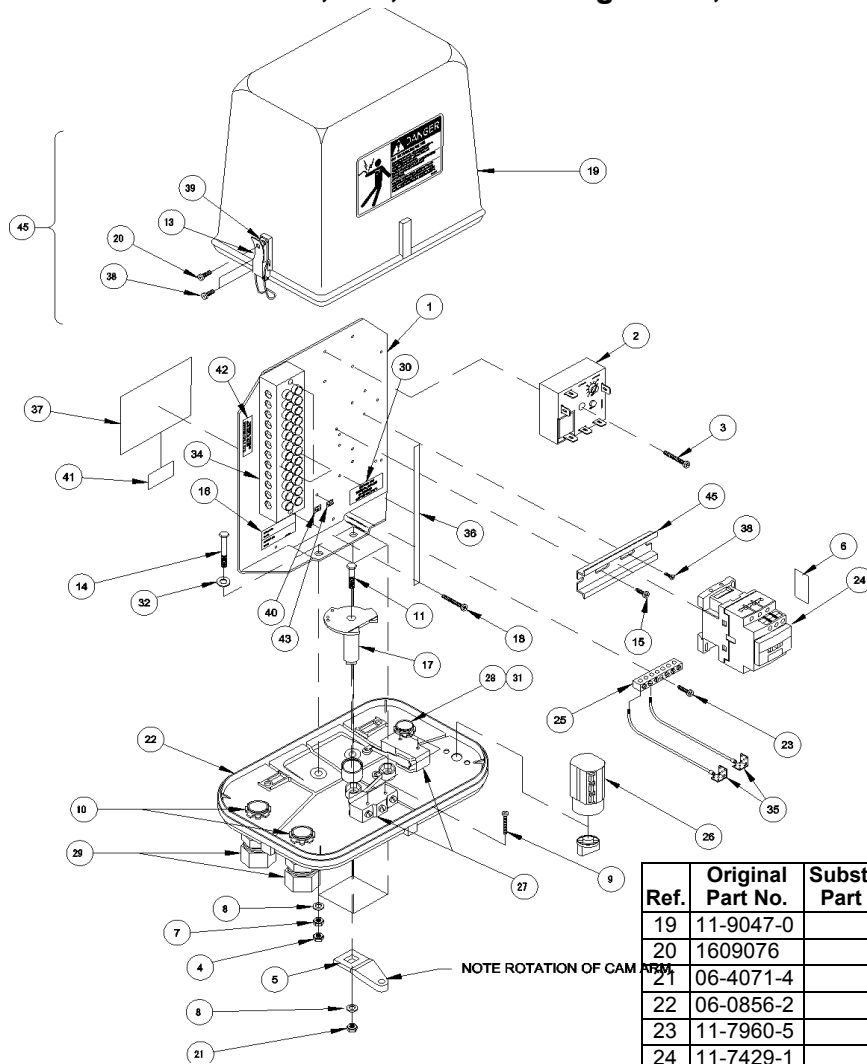
Ref.	Original Part No.	Substitute Part No.	Description
1	03-4017-4		Plate, Starter Mount
2	03-4629-6		Termifoil Assembly
3	1601326		Decal, Green/Yellow, PE
4	1128354		Connector, 1/2" w/o Nut, .38 -.5
5	06-0262-3		Nut, 5/16-18, Lock, Nylon Insert
6	1609056		Arm, Cam, Tower Control Panel
7			
8	06-0822-4		Nut, 5/16-18, Hex
9	06-4267-8	0602409	Nut, 1/4-20, Lock, Nylon Insert
10	06-0842-2		Washer, Flat, 1/4"
11	06-0847-1		Screw, #8-32 x 3/8", Ph.Pn.Hd., #23
12	06-0850-5		Screw, #8-32 x 1", Ph.Pn.Hd., #23
13	06-0851-3		Screw, #6-20 x 1", Ph. Pan Hd., #25
14	11-8405-0		Screw, 1/4-20 x 1", Hex
15	06-4822-0		Latch, Pull-Down, 3 Hole
16	06-3146-5		Screw, 5/16-18 x 1-1/2", Hex, Gr. 5
17			
18	11-7357-4		Decal, P.E., Ground Symbol

Ref.	Original Part No.	Substitute Part No.	Description
19	11-9047-0		Decal, Terminal, Torque, GE
20	1609076		Cam, Tower Panel, Plastic
21	06-4071-4		Decal, Term. Marker, Std. & N-L
22	06-0856-2		Screw, #6-20 x 1/2", Ph. Pn Hd., #25
23	11-7960-5		Decal, ETL
24	11-7429-1		Sleeve, Captive, Tower Box
25	06-4208-2	1608384	Shield, Tower Box, Gray, 480 Decal
26	06-4234-8		Screw, #6-20 x 3/8", Ph.Pn.Hd., #25
27	1601679		Base, Tower Control Box, Gray
28	06-4448-4		Decal, Nameplate, Twr Ctrl Panel
29	06-4553-1		Screw, #8-32 x 3/4", Ph.Pn.Hd., #23
30	12-0743-0		Contact, Tower, 18A, NC, NO, CE
31	09-7602-7		Block, Term, 12Pt, #CR151B26AF
32	09-7631-6	1610341	Bar, Ground Terminal, 6-#14, 6-#8
33	09-8866-7		Switch, Rotary Power, 6 PST, 10A
34	09-9030-9		Switch, Micro, SPDT, 15A, 120V, w/R
35	09-9156-2		Nut, Conduit, 1/2"
36	09-9161-2		Nut, Conduit, 3/4"
37	11-2836-2		Connector, 3/4 w/o Nut, .6-.7" Dia.
38	11-3530-0		Washer, Lock, 5/16", Internal Tooth
39	13-7555-0		Decal, Terminal Torque, Groundbar
40	11-7787-2		Rail, DIN 4"
41	03-7641-8		Shield, Assy, Tower Panel, Gray



# Tower Panels

## Tower Control Panel, Std, Advance Alignment, 1494050



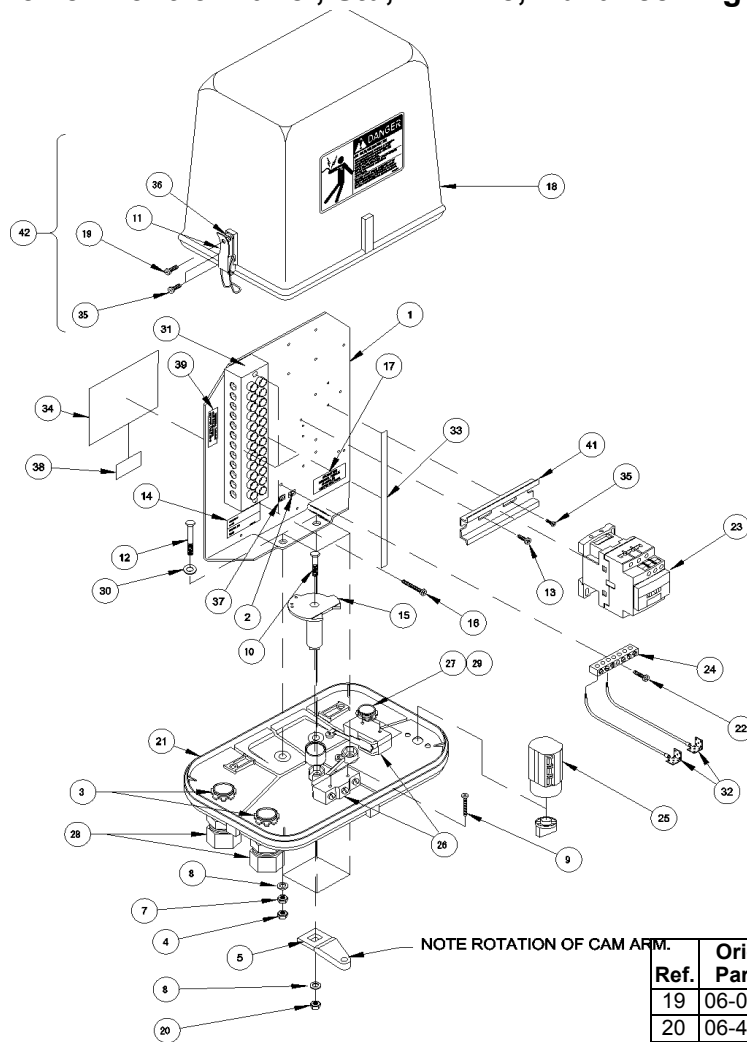
Ref.	Original Part No.	Substitute Part No.	Description
1	03-4017-4		Plate, Starter Mount
2	03-4629-6		Termifoil Assembly
3	1605892		Timer, Relay, .3 to 3 Min. Stall
4	0639096		Screw, #8-32 x 1-1/4", PH, PN
5	06-0262-3		Nut, 5/16-18, Lock, Nylon Insert
6	1609056		Arm, Cam, Tower Control Panel
7	1207390		Snubber, RC, 110-250V, Snapin
8	06-0822-4		Nut, 5/16-18, Hex
9	06-4267-8	0602409	Nut, 1/4-20, Lock, Nylon Insert
10	06-0842-2		Washer, Flat, 1/4"
11	1601326		Decal, Green/Yellow, PE
12	06-0850-5		Screw, #8-32 x 1", Ph.Pn.Hd., #23
13	06-0851-3		Screw, #6-20 x 1", Ph. Pan Hd., #25
14	11-8405-0		Screw, 1/4-20 x 1", Hex
15	06-4822-0		Latch, Pull-Down, 3 Hole
16	06-3146-5		Screw, 5/16-18 x 1-1/2", Hex, Gr. 5
17			
18	11-7357-4		Decal, P.E., Ground Symbol

Ref.	Original Part No.	Substitute Part No.	Description
19	11-9047-0		Decal, Terminal, Torque, GE
20	1609076		Cam, Tower Panel, Plastic
21	06-4071-4		Decal, Term. Marker, Std. & N-L
22	06-0856-2		Screw, #6-20 x 1/2", Ph. Pn Hd., #25
23	11-7960-5		Decal, ETL
24	11-7429-1		Sleeve, Captive, Tower Box
25	06-4208-2	1608384	Shield, Tower Box, Gray, 480 Decal
26	06-4234-8		Screw, #6-20 x 3/8", Ph.Pn.Hd., #25
27	1601679		Base, Tower Control Box, Gray
28	1607507		Decal, Nameplate, Twr Ctrl Panel
29	06-4553-1		Screw, #8-32 x 3/4", Ph.Pn.Hd., #23
30	12-0743-0		Contact, Tower, 18A, NC, NO, CE
31			
32	09-7602-7		Block, Term, 12Pt, #CR151B26AF
33	09-7631-6	1610341	Bar, Ground Terminal, 6-#14, 6-#8
34	09-8866-7		Switch, Rotary Power, 6 PST, 10A
35	09-9030-9		Switch, Micro, SPDT, 15A, 120V, w/R
36	09-9156-2		Nut, Conduit, 1/2"
37	09-9161-2		Nut, Conduit, 3/4"
38	11-2835-4		Connector, 1/2 w/o Nut, .37-.5" Dia.
39	11-2836-2		Connector, 3/4 w/o Nut, .6-.7" Dia.
40	11-3530-0		Washer, Lock, 5/16", Internal Tooth
41	06-0847-1		Screw, #8-32 x 3/8", Ph.Pn.Hd., #23
42			
43	13-7555-0		Decal, Terminal Torque, Groundbar
44	1174440		Rail, DIN 4"
45	03-7641-8		Shield, Assy, Tower Panel, Gray



# Tower Panels

## Tower Control Panel, Std, 11 Wire, Advance Alignment, 1495930



NOTE ROTATION OF CAM ARM.

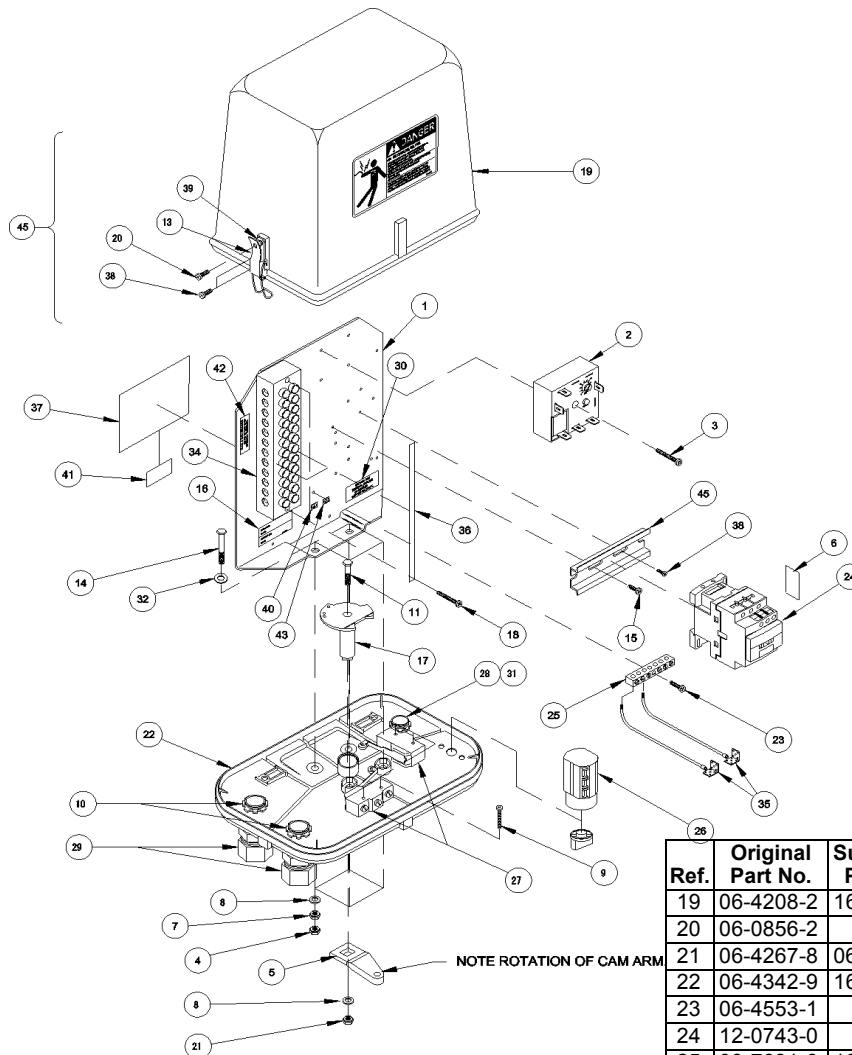
Ref.	Original Part No.	Substitute Part No.	Description
1	03-4017-4		Plate, Starter Mount
2	1601326		Decal, Green.Yellow. PE
3	1609690		Nut, Connector, 1", Lock
4	06-0262-3		Nut, 5/16-18,Lock, Nylon Insert
5	1609056		Arm, Cam, Tower Control Panel
6			
7	06-0822-4		Nut, 5/16-18, Hex
8	06-0842-2		Washer, Flat, 1/4"
9	06-0851-3		Screw, #6-20 x 1",Ph. Pan Hd.,#25
10	06-1580-7	11-8405-0	Screw, 1/4-20 x 1", Hex, Stainless
11	06-4822-0		Latch, Pull-Down, 3 Hole
12	06-3146-5		Screw, 5/16-18 x 1-1/2", Hex, Gr. 5
13	06-0847-1		Screw, #8-32 x 3/8", Ph.Pn.Hd.,#23
14			
15	1609076		Cam, Tower Panel, Plastic
16	06-3909-6		Screw, #8-32 x 1-1/4", Ph.Hd.,#23
17	13-7555-0		Decal, Terminal Torque, Groundbar
18	06-4208-2	1608384	Shield, Tower Box, Gray,480 Decal

Ref.	Original Part No.	Substitute Part No.	Description
19	06-0856-2		Screw, #6-20 x 1/2", Ph.Pn.Hd.,#25
20	06-4267-8	0602409	Nut, 1/4-20, Lock, Nylon Insert
21	06-4342-9	1609726	Base, Tower Control Box, Gray
22	06-4553-1		Screw, #8-32 x 3/4", Ph.Pn.Hd.,#23
23	12-0743-0		Contactor, Tower, 18A,NC,NO,CE
24	09-7631-6	1610341	Bar, Ground Terminal, 6-#14,6-#8
25	09-8866-7		Switch, Rotary Power, 6 PST, 10A
26	09-9030-9		Switch, Micro,SPDT, 15A,120V,w/R
27	09-9156-2		Nut, Conduit, 1/2"
28	1609689		Connector, 3/4" Str.Rel, .8-.9" Dia.
29	11-2835-4		Connector, 1/2 w/o Nut, .37-.5" Dia.
30	11-3530-0		Washer, Lock, 5/16", Internal Tooth
31	11-5572-0		Block, Terminal,12Pt, 8Ga, CE
32	03-4629-6		Termifoil Assembly
33	11-7999-3		Decal, Term. Marker, Std4N-L, 8Ga
34	11-8001-7		Decal, Nameplate, Twr Ctrl Panel
35	06-4234-8		Screw, #6-20 x 3/8",Ph.Pn.Hd.,#25
36	11-7429-1		Sleeve, Captive, Tower Box
37	11-7357-4		Decal, P.E., Ground Symbol
38	11-7960-5		Decal, ETL
39	11-9770-0		Decal, Terminal, Torque, USD
40			
41	11-7787-2		Rail, DIN 4"
42	03-7641-8		Shield, Assy, Tower Panel, Gray



# Tower Panels

## Tower Control Panel, Std, 11 Wire, Advance Alignment, 1495950



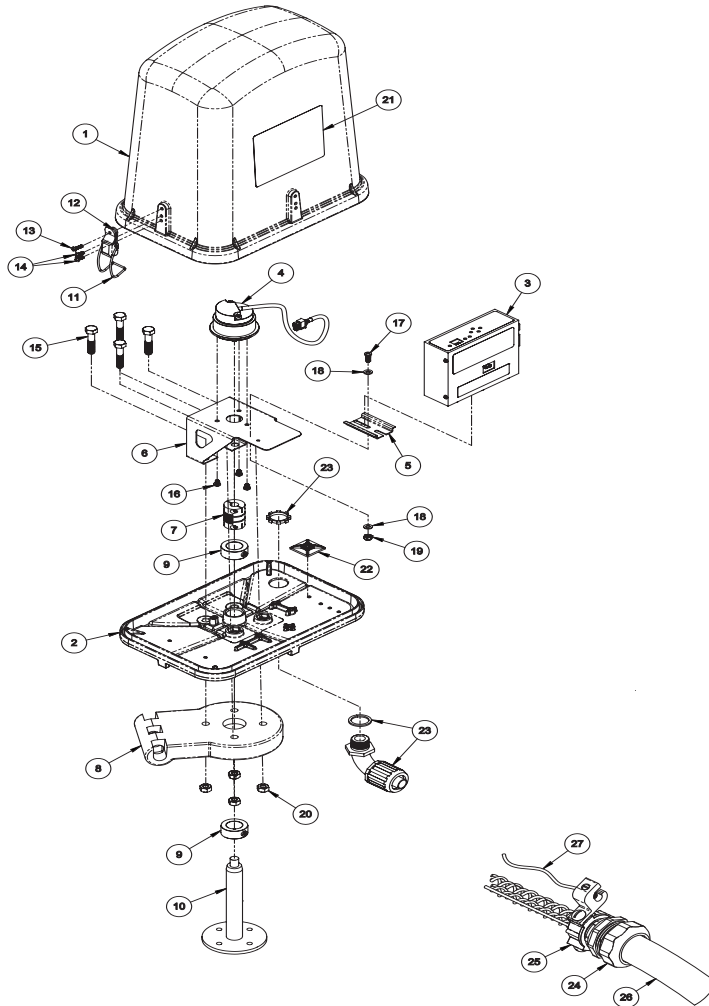
Ref.	Original Part No.	Substitute Part No.	Description
1	03-4017-4		Plate, Starter Mount
2	1605892		Timer, Relay, .3-3 Min, Stall
3	0639096		Screw, #8-32 x 1-1/4", PH, PN
4	06-0262-3		Nut, 5/16-18, Lock, Nylon Insert
5	1609056		Arm, Cam, Tower Control Panel
6	1207390		Snubber, RC, 110-250V, Snapin
7	06-0822-4		Nut, 5/16-18, Hex
8	06-0842-2		Washer, Flat, 1/4"
9	06-0851-3		Screw, #6-20 x 1", Ph. Pan Hd., #25
10	1609690		Nut, Connector, 1", Lock
11	06-1580-7	11-8405-0	Screw, 1/4-20 x 1", Hex, Stainless
12			
13	06-4822-0		Latch, Pull-Down, 3 Hole
14	06-3146-5		Screw, 5/16-18 x 1-1/2", Hex, Gr. 5
15	06-0847-1		Screw, #8-32 x 3/8", Ph.Pn.Hd., #23
16			
17	1609076		Cam, Tower Panel, Plastic
18	06-3909-6		Screw, #8-32 x 1-1/4", Ph.Hd., #23

Ref.	Original Part No.	Substitute Part No.	Description
19	06-4208-2	1608384	Shield, Tower Box, Gray, 480 Decal
20	06-0856-2		Screw, #6-20 x 1/2", Ph.Pn.Hd., #25
21	06-4267-8	0602409	Nut, 1/4-20, Lock, Nylon Insert
22	06-4342-9	1609726	Base, Tower Control Box, Gray
23	06-4553-1		Screw, #8-32 x 3/4", Ph.Pn.Hd., #23
24	12-0743-0		Contactora, Tower, 18A, NC, NO, CE
25	09-7631-6	1610341	Bar, Ground Terminal, 6-#14, 6-#8
26	09-8866-7		Switch, Rotary Power, 6 PST, 10A
27	09-9030-9		Switch, Micro, SPDT, 15A, 120V, w/R
28	09-9156-2		Nut, Conduit, 1/2"
29	11-8102-3	1609689	Connector, 3/4" Str. Rel., .8-.9" Dia.
30	13-7555-0		Decal, Terminal Torque, Groundbar
31	11-2835-4		Connector, 1/2 w/o Nut, .37-.5" Dia.
32	11-3530-0		Washer, Lock, 5/16", Internal Tooth
33			
34	11-5572-0		Block, Terminal, 12Pt, 8Ga, CE
35	03-4629-6		Termifoil Assembly
36	11-7999-3		Decal, Term. Marker, Std4N-L, 8Ga
37	11-8002-5		Decal, Nplt, Twr Ctrl Panel, N-L
38	06-4234-8		Screw, #6-20 x 3/8", Ph.Pn.Hd., #25
39	11-7429-1		Sleeve, Captive, Tower Box
40	11-7357-4		Decal, P.E., Ground Symbol
41	11-7960-5		Decal, ETL
42	11-9770-0		Decal, Terminal, Torque, USD
43	1601326		Decal, Green/Yellow, PE
44	11-7787-2		Rail, DIN 4"
45	03-7641-8		Shield, Assy, Tower Panel, Gray



# Tower Panels

## Panel Ass'y, Encoder, Swing Angle, 1601020



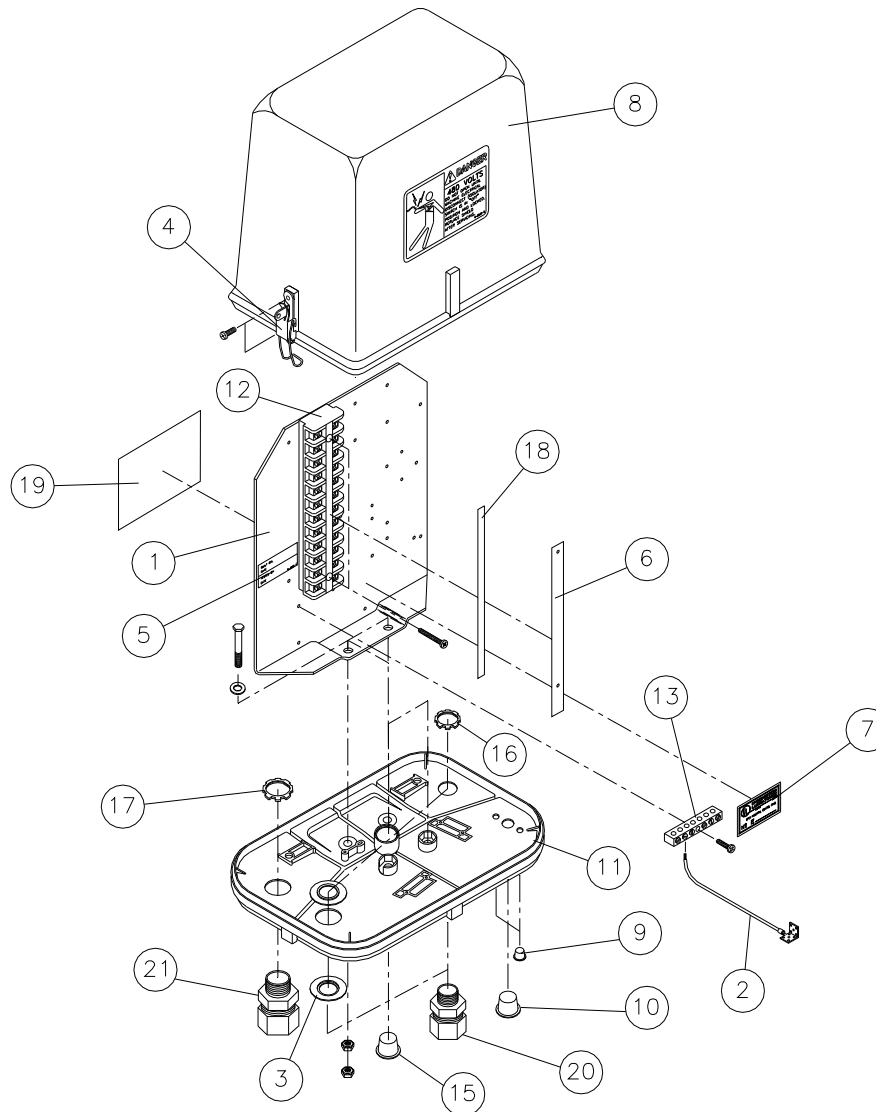
Ref.	Original Part No.	Substitute Part No.	Description
1	1601021		Shield, Twr, Cont, Box, Gray
2	1601371		Base, Twr, Cont. Box, Gray, Encode
3	1600830		Module, Ass'y, Encoder, SA
4	1600934		Encoder, ABS, RLS, w/Connector
5	1117886		Rail, Din 2"
6	1503430		Bracket, Mag. Encode Mount
7	1503440		Coupling, Plastic, Slit, 10mm
8	1165877		Mount, Molded, Encoder Panel
9	1136613		Collar, Shaft, 20mm
10	1163989		Shaft/Gear, Plated
11	0648220		Latch, Pull-Down, 3-Pole
12	1174291		Sleeve, Captive, Tower Box
13	0608562		Screw, #6-20x1/2", PH, PN HD, #25
14	0642348		Screw, #6-20x3/8", PH, PN HD, #25
15	0631465		Screw, 5/16-18x1-1/2", Hex
16	1163898		Screw, M4-.7x6, PH, PN HD

Ref.	Original Part No.	Substitute Part No.	Description
17	1183348		Screw, #8-32x1/2", PH, PN HD, #23
18	0639682		Washer, Flat, #8
19	1208920		Nut, #8-33, Nylock
20	0602623		Nut, 5/16-18, Nylock
21	1601031		Decal, Enc, Swing Ang. Compliance
22	0908244		Base, Wire Tie Support
23	1303310		Connector, 1/2"x 90 Deg, Liq-Tight
24	1501040		Connector, 1/2", Liquid-Tight
25	1238130		Bushing, GND, Bond, 1/2", 14AWG
26	1501030		Conduit, Liquid-Tight, 1/2"



# Tower Panels

## Junction Panel, Antenna, 1100122



Ref.	Original Part No.	Substitute Part No.	Description
1	3-4017-4		Plate, Starter Mount, Model 2
2	3-4629-6		Termifoil Assembly
3	6-2158-1		Washer, Reduc., 3/4 x 1/2", Conduit
4	6-4822-0		Latch, Pull-Down, 3 Hole
5	REF		Decal, Built-Tested
6	6-3708-2	N/A	Strip, Insul., 12 Pt., Term. Block
7	REF		Decal, UL, "Open Ind. Control Panel"
8	6-4208-2		Shield, Tower Box, In, 480 Decal
9	6-4235-5		Plug, Hole, Nylon, 1/4 x .062 Thick
10	6-4264-5		Plug, Hole, Nylon, 1/2"
11	6-4342-9		Base, Tower Control Box, Black

Ref.	Original Part No.	Substitute Part No.	Description
12	9-7602-7		Block, Term, 12 Pt., #CR151B26AF
13	9-7631-6	1610341	Bar, Ground Terminal, 6-#14, 6-#8
14	9-8816-2		Wire, Electric, 14 TEW, Green
15	9-9020-0		Plug, Caplug, #9X
16	9-9156-2		Nut, Conduit, 1/2", Lock, Zn
17	9-9161-2		Nut, Conduit, 3/4", Lock, Zn
18	11-0013-0		Decal, Term. Mkr, Jct., Ant., SCP
19	11-0014-8		Decal, Nameplate, Jct., Ant., SCP
20	11-2835-4		Connector, 1/2" w/oNut, .37-.50 Dia
21	11-2836-2		Connector, 3/4" w/oNut, .6-.7 Dia.



# Tower Panels

## Control Panel, Twist Safety, 1177922

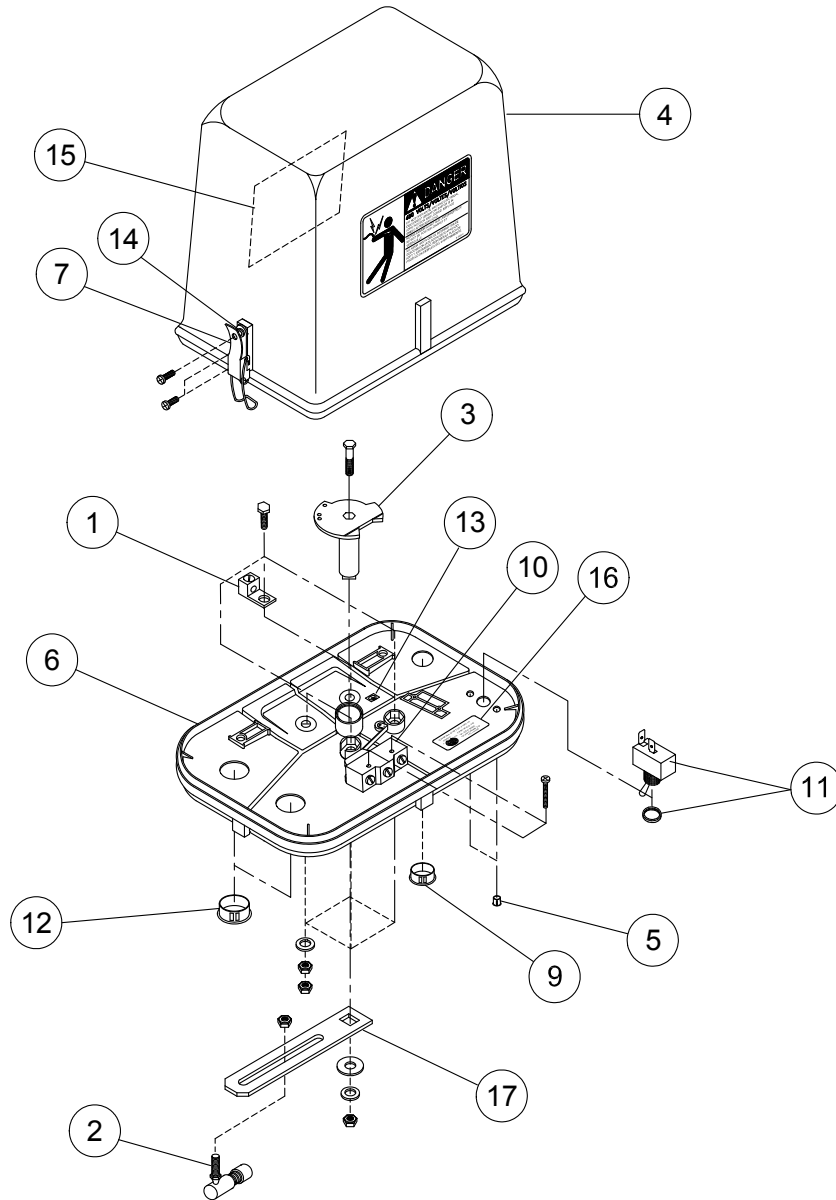


Figure 1

Ref.	Original Part No.	Substitute Part No.	Description
1	3-6578-3		Terminal, Wire Lug, Safety Switch
2	6-0470-2		Joint, Ball, Quick Disconnect
3	6-3751-2		Cam, Tower Panel, Plastic
4	6-4208-2		Shield, Tower Box, In, 480 Decal
5	6-4235-5		Plug, Hole, Nylon, 1/4" x .062 Thick
6	6-4342-9		Base, Tower Control Box, Black
7	6-4822-0		Latch, Pull Down, 3 Hole
8	9-0839-2		Connector, 1/2" w/Nut, .37-.50" Dia.
9	9-8986-3		Plug, Hole, Nylon, 7/8"

Ref.	Original Part No.	Substitute Part No.	Description
10	0990309		Switch, Micro, SPDT, 15
11	9-9216-4		Switch, Toggle, SPST
12	9-9297-4		Plug, Hole, 1-1/8", Nylon
13	11-7357-4		Decal, P.E., Ground Symbol
14	11-7429-1		Sleeve, Captive, Tower Box, CE
15	11-7801-1		Decal, Nameplate, Twist Safety
16	11-7960-5		Decal, ETL
17	11-9969-0		Arm, Cam, Long, Tower Control

# Tower Panels

## Tower Control Panel, Next to Last, 10 Wire, L.M., 1172204

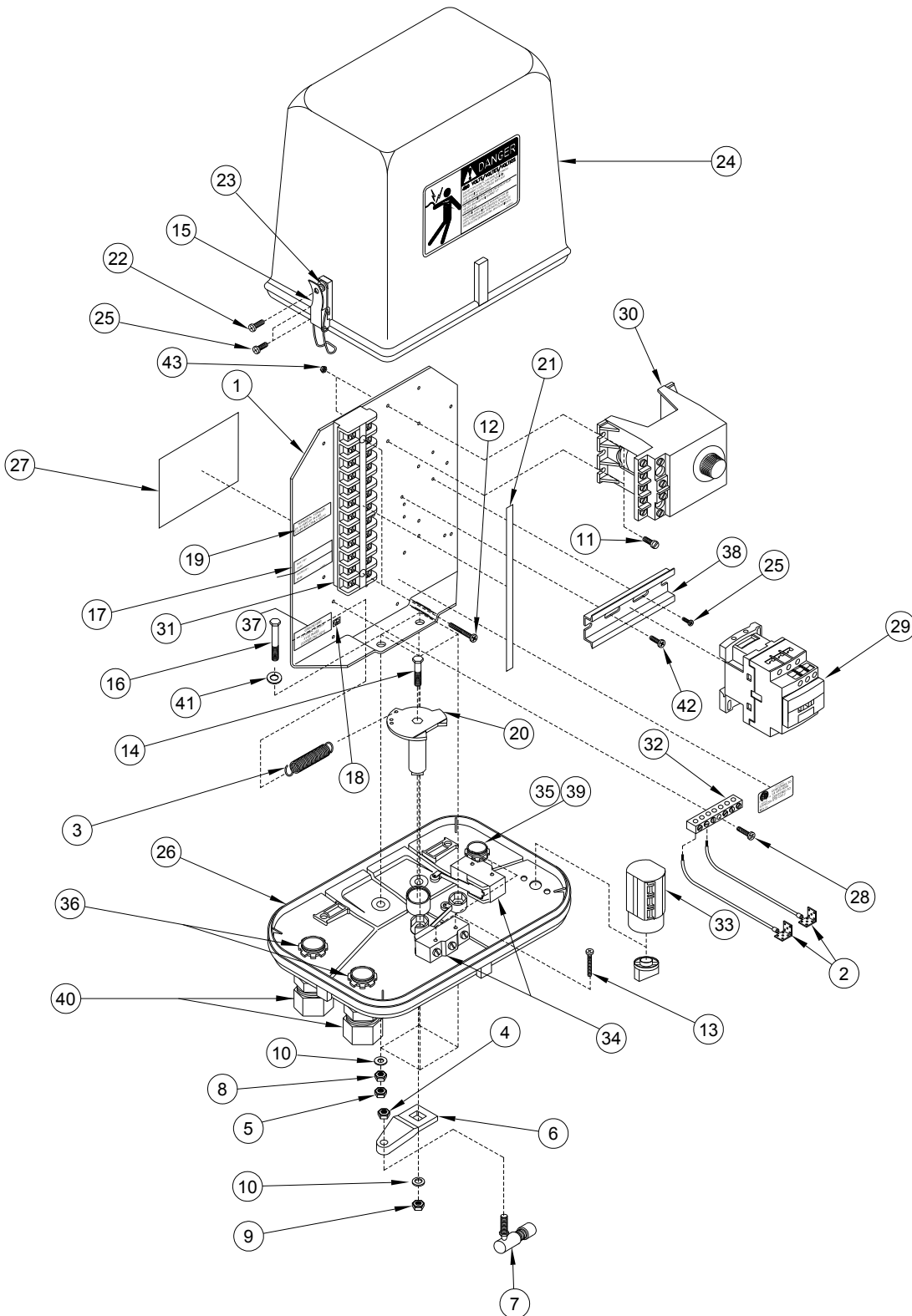


Figure 1



# Tower Panels

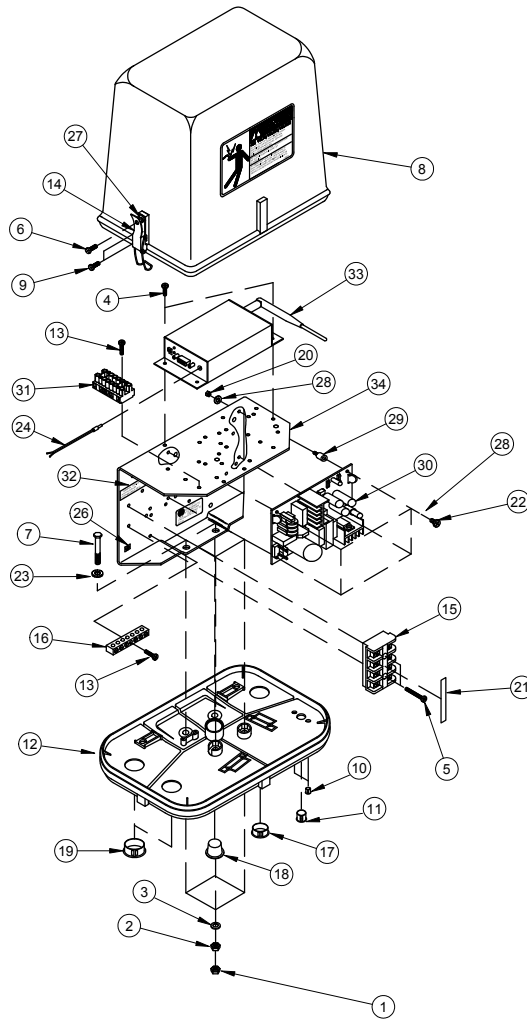
## Tower Control Panel, Next to Last, 10 Wire, L.M., 1172204

Ref.	Original Part No.	Substitute Part No.	Description
1	3-4017-4		Plate, Starter Mount, Model 2
2	3-4629-6		Termifoil Assembly
3	6-0212-8		Spring, Special, Plated, #E-41-C
4	6-0240-9		Nut, 5/16-24, Hx,F594-Gr.A,SS
5	6-0262-3		Nut,5/16-18, Lock, Nylon Inst.
6	6-0460-3		Arm, Cam, Tower Control Panel
7	6-0470-2		Joint, Ball, Quick Disconnect
8	6-0822-4		Nut, 5/16-18,Hx,A563-Gr.A
9	6-4267-8		Nut, 1/4-20,Lock, Nylon Inst, Gr.A
10	6-0842-2		Washer, Flat, 1/4, AW
11	6-0859-6		Screw,#6-32x3/8,SL,PN,HD
12	6-0850-5		Screw,#8-32x1,PHP,PN,#23
13	6-0851-3		Screw,#6-20x1,PH,PN,HD,#25
14	11-8405-0		Screw, 1/4-20x1,Hx, Gr2, SS
15	6-4822-0		Latch, Pull Down, 3 Hole
16	6-3146-5		Screw, 5/16-18x1-1/2.Hex, Gr.5
17			
18	11-7357-4		Decal, PE, Ground Symbol
19	11-9047-0		Decal, Terminal Torque, GE
20	6-3751-2		Cam, Tower Panel, Plastic
21	6-4071-4		Decal, Term. Marker, Std. & N-L
22	6-0856-2		Screw,#6-20x1/2,PH,PN,HD,#25
23	11-7429-1		Sleeve, Captive, Tower Box, CE
24	6-4208-2		Shield, Tower Box,In,480Decal
25	6-4234-8		Screw,#6-20x3/8,PH,PN,HD,#25
26	6-4342-9		Base, Tower Control Box, Black
27	6-4447-6		Decal, Nameplate
28	6-4553-1		Screw,#8-32x3/4,PH,PN,HD,#23
29	12-0743-0		Contact, Twr, 18A, NC,NO, CE
30	9-7261-2		Timer, Interval, 5 Minute, Reset
31	9-7602-7		Block, Term., 12Pt, #CR151B26AF
32	9-7631-6	1610341	Bar, Ground Terminal,6-#14,6-#8
33	9-8866-7		Switch, Rotary Pwr, 6 PST,10 AMP
34	0990309		Switch, Micro, SPDT, 15A, 120V, w/R
35	9-9156-2		Nut, Conduit, 1/2"
36	9-9161-2		Nut, Conduit, 3/4"
37	13-7555-0		Decal, Terminal Torque, GndBar
38	11-7787-2		Rail Din 4"
39	11-2835-4		Connector, 1/2", w/o Nut,.37-.5" Dia.
40	11-2836-2		Connector, 3/4", w/o Nut, .6-.7" Dia.
41	11-3530-0		Washer, Lock,5/16",Int.Tooth
42	6-0847-1		Screw,#8-32x3/8,PH,PN,HD,#23
43	6-2200-1		Nut, 6-32, Hx



# Tower Panels

## Panel, Communication, 9500CC, 1239380

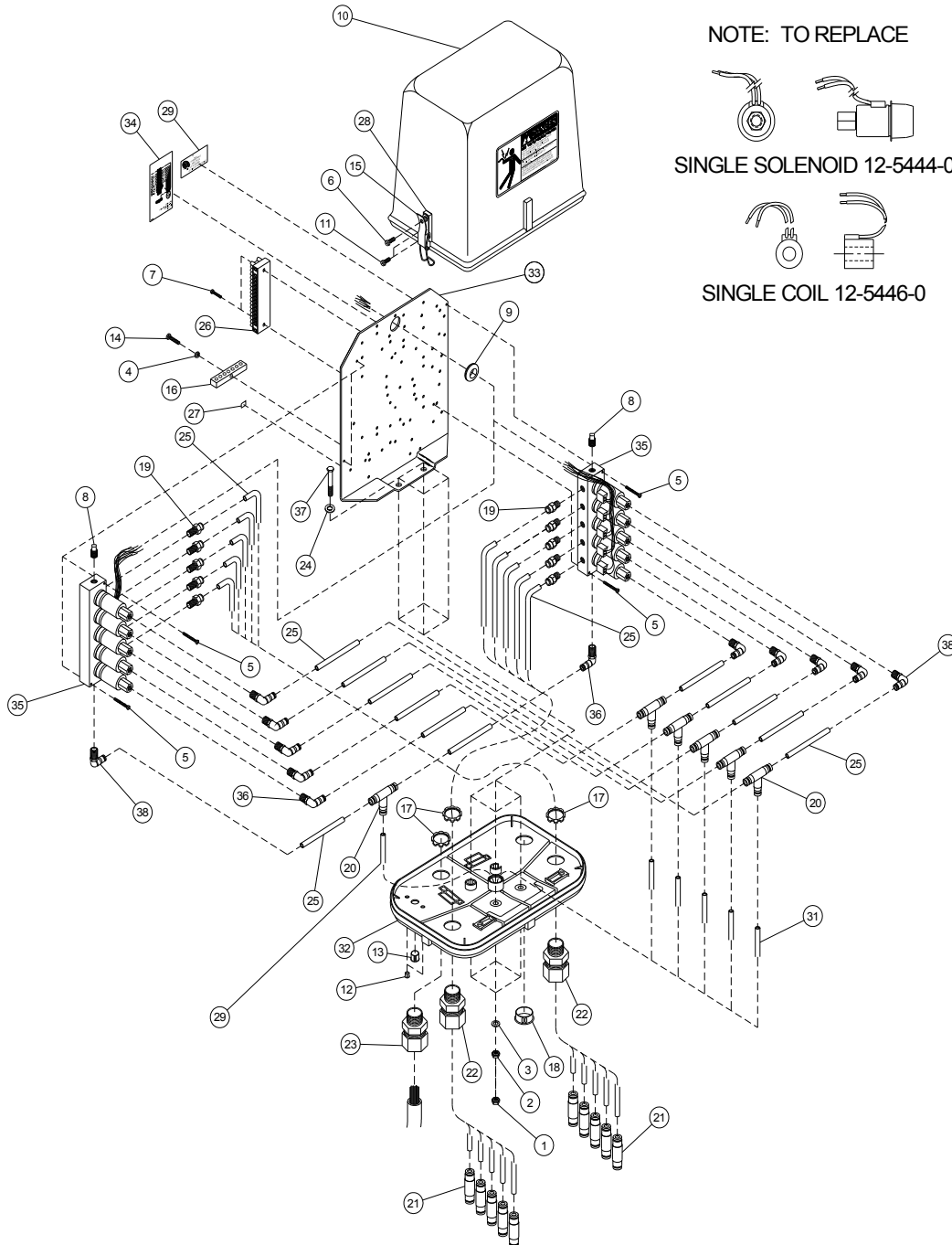


Ref.	Original Part No.	Substitute Part No.	Description	Ref.	Original Part No.	Substitute Part No.	Description
1	6-0262-3		Nut, 5/16-18, Lock, Nylon Insert	19	9-9297-4		Plug, Hole, 1-1/8" Nylon
2	6-0822-4		Nut, 5/16-18, Hex	20	10-9672-6		Nut, #4-40, Hex
3	6-0842-2		Washer, Flat, 1/4"	21	11-0692-1		Decal, Terminal Marker
4	6-0847-1		Screw, #8-32 x 3/8", Ph Pn Hd, #23	22	11-0707-7		Screw, #4-40 x 1/4", Sl. Pn. Hd.
5	6-0850-5		Screw, #8-32 x 1", Ph. Pn. Hd, #23	23	11-3530-0		Washer, Lock, 5/16" Int. Tooth
6	6-0856-2		Screw, #6-20 x 1/2", Ph. Pan Hd, #25	24	11-4975-6		Cable, Power, DC, Packet Modems
7	6-3146-5		Screw, 5/16-18 x 1-1/2", Hex, Gr. 5	25	11-7335-0		Wire, Elec., 10 TEW, Green/Yellow
8	6-4208-2		Shield, Tower Box, In, 480	26	11-7357-4		Decal, Protective Earth
9	6-4234-8		Screw, #6-20 x 3/8", Ph. Pn. Hd #25	27	11-7429-1		Sleeve, Captive, Tower Box, CE
10	6-4235-5		Plug, Hole, Nylon, 1/4" x .062" Thick	28	11-7754-2		Washer, Lock, #4, I-Tooth
11	6-4264-5		Plug, Hole, Nylon, 1/2"	29	11-7862-3		Spacer, Male/Female, .25 Hex, 4-40
12	6-4342-9		Base, Tower Control Box, Gray	30	11-7897-9		Power Supply, FieldBOSS Assy
13	6-4553-1		Screw, #8-32 x 3/4", Ph. Pn. Hd #23	31	11-7990-2		Block, Terminal, 6 Pt. #31F2438
14	6-4822-0		Latch, Pull Down, 3 Hole	32	11-9047-0		Decal, Terminal Torque, GE
15	9-7604-3		Block, Term., 4 Pt. CR151B46AF	33	1236580	1611243	Radio, Modem, 915 MHz/RS485
16	9-7631-6		Bar, Ground Terminal, 6-#14, 6-#8	34	12-9395-0		Plate, Mount, Communication Panel
17	9-8986-3		Plug, Hole, Nylon, 7/8"	35	12-9408-0		Cable, Comm. Panel, RS485
18	9-9020-0		Plug, Caplug, #9X				



# Tower Panels

Panel, Sequencer, 9500CC, Water, 1227250





# Tower Panels

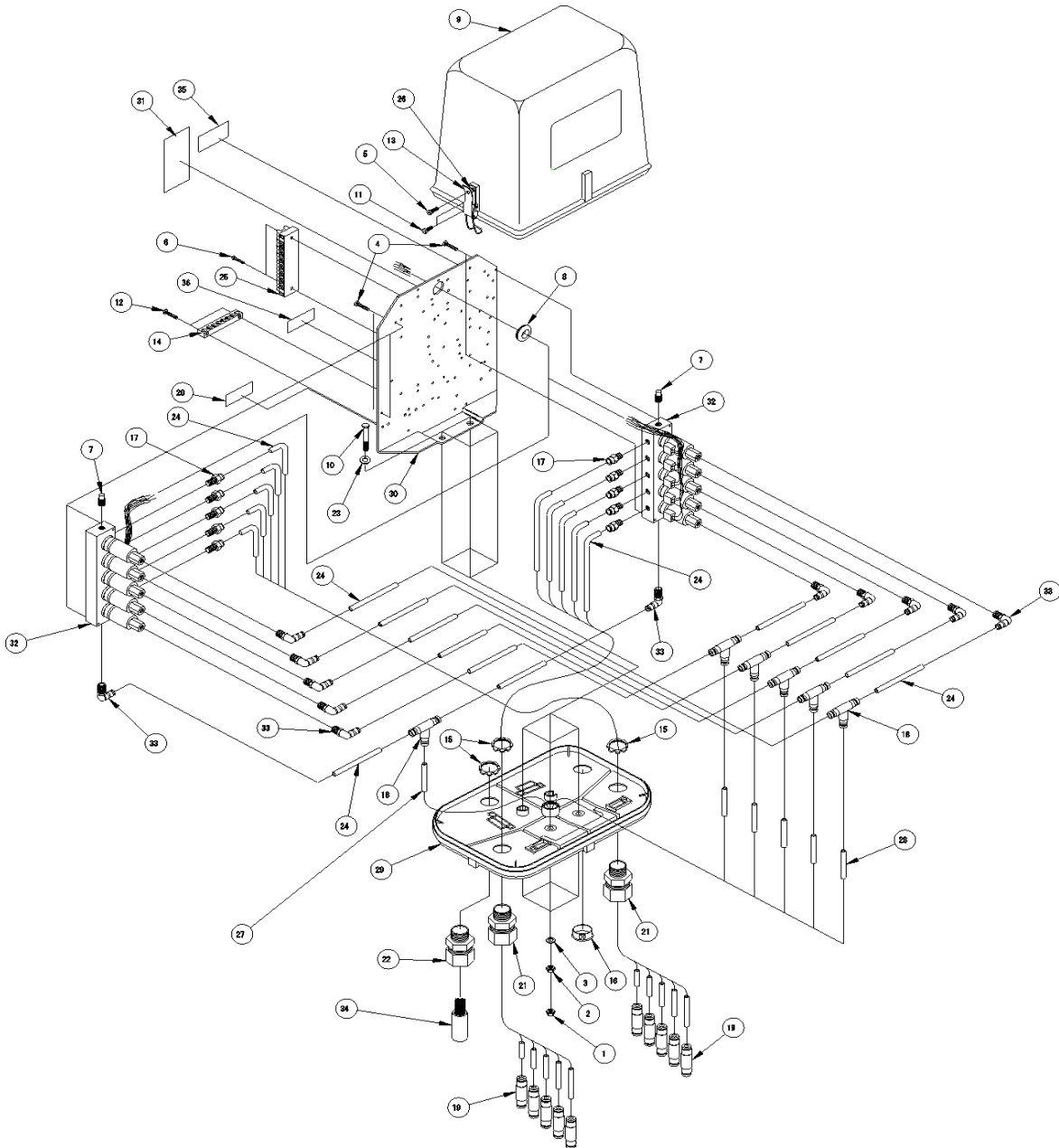
## Panel, Sequencer, 9500CC, Water, 1227250

Ref.	Original Part No.	Substitute Part No.	Description
1	6-0262-3		Nut, 5/16-18, Lock, Nylon Insert
2	6-0822-4		Nut, 5/16-18, Hex
3	6-0842-2		Washer, Flat, 1/4"
4	6-0844-8		Washer, Lock, 1/4"
5	6-0851-3		Screw, #6-20 x 1", Phillips Pan Head, #25
6	6-0856-2		Screw, #6, -20x 1/2", Ph. Pn Hd, #25
7	6-3368-5		Screw, #6-20 x 5/8", Ph. Pn Head, #25
8	6-3449-3		Plug, Pipe, 1/8", Sq. Head, Galv.
9	6-3898-1		Grommet, Rubber, 5/8" I.D. x 1-1/8" O.D.
10	6-4208-2		Shield, Tower Box, In, 480 Decal
11	6-4234-8		Screw, #6-20 x 3/8", Ph. Pn Hd, #25
12	6-4235-5		Plug, Hole, Nylon, 1/4" x .062 Thick
13	6-4264-5		Plug, Hole, Nylon, 1/2"
14	6-4553-1		Screw, #8-32 x 3/4", Ph. Pn Hd, #32
15	6-4822-0		Latch, Pull-Down, 3 Hole
16	9-7631-6	1610341	Bar, Ground, Terminal, 6-#14, 6-#8
17	9-9161-2		Nut, Conduit, 3/4", Lock
18	9-9297-4		Plug, Hole, 1-1/8", Nylon
19	11-0001-5		Connector, Push-in, 1/4" x 1/8" NPT
20	11-0003-1		Tee, Push-In, 1/4" Tube
21	11-0220-1		Union, Push-in, 1/4" Tube, Brass
22	11-2836-2		Connector, 3/4" w/o Nut, .6-.7" Dia.
23	11-2837-0		Connector, 3/4" w/o Nut, .7-.8", L.M.
24	11-3530-0		Washer, Lock, 5/16", Int. Tooth
25	11-3531-8		Tubing, 1/4" O.D., Nylon
26	11-5820-3		Terminal Strip, 16 Pole
27	11-7357-4		Decal, P.E., Ground Symbol
28	11-7429-1		Sleeve, Captive, Tower Box
29	11-7479-6		Tubing, Nylon, 1/4" O.D. x 15'
30	11-7960-5		Decal, ETL
31	11-8335-7		Tubing, Nylon, 1/4" O.D. x 6-1/2'
32	12-2319-0		Base, Panel, Valve Sequencer
33	12-2320-0		Plate, Panel, Valve Sequencer
34	12-2321-0		Decal, Nameplate, Valve Sequencer
35	12-3056-0		Solenoid, Valve, 2 WNO, 5 Manifold
36	12-3092-0		Elbow, Swivel, 1/8" NPT, 1/4" Tube
37	12-3196-0		Screw, 5/16-18 x 2-1/2" Hex
38	11-7982-9		Tie, Cable, 11"
39	12-5444-0		Valve, Solenoid, 3 Way, Normally Open
40	12-5446-0		Coil, Solenoid Valve, 3 Way, Normally Open



# Tower Panels

Panel, Sequencer, 9500CC, Air, 1504060





# Tower Panels

## Panel, Sequencer, 9500CC, Air, 1504060

Ref.	Original Part No.	Substitute Part No.	Description
1	0602623		Nut, 5/16-18, Lock, Nylon
2	0608224		Nut, 5/16-18, Hex
3	0608422		Washer, 1/4", Flat
4	0632497		Screw, #8-32 x 5/8", Phil. Pan Head #23
5	0698562		Screw, #6-20 x 1/2", Phil. Pan Head, #25
6	0633685		Screw, #6-20 x 5/8", Phil. Pan Head, #25
7	0634493		Plug, Pipe, 1/8", Square Head
8	0638981		Grommet, Rubber, 5/8" ID x 1-1/8" OD
9	1608384		Shield, Tower Control Box, Gray, 480 DCL
10	1231960		Screw, 5/16-18 x 2-1/2", Hex, Full Thread
11	0642348		Screw, #6-20 x 3/8", Phil. Pan Head, #25
12	0645531		Screw, #8-32 x 3/4", Phil. Pan Head, #23
13	0648220		Latch, Pull-Down, 3 Hole
14	1610341		Bar, Ground, Terminal, 6-#4-14, 2 Screws
15	0991612		Nut, Conduit, 3/4", Lock
16	0992974		Plug, hole, 1-1/8", Nylon
17	1503480		Connector, Push-In, 1/4 x 1/8 NPT
18	1503490		Tee, Push-In, 1/4" Tube
19	1503500		Union, Push-In, 1/4" Tube
20	1375550		Decal, Terminal Torque, Ground Bar
21	1128362		Connector, 3/4" without Nut, .6-.7" Dia.
22	1128370		Connector, 3/4" without Nut, .7-.8" Dia.
23	1135300		Washer, 5/16", Lock, Internal Tooth
24	1503520		Tubing, 1/4" OD, Nylon
25	1158203		Terminal Strip, 16 Pole
26	1174291		Sleeve, Captive, Tower Box
27	1503540		Tubing, Nylon, 1/4" OD x 15'
28	1503550		Tubing, Nylon, 1/4" OD x 8'
29	1608479		Base, Tower Control Box, Sequ. 9500CC
30	1223200		Plate, Panel, Valve, Sequ. 9500CC
31	1223210		Decal, nameplate, Seq. Valve, 9500CC
32	1230560		Solenoid, Valve, 3WNO, 5 Manifold
33	1503530		Elbow, Swivel, 1/8" NPT x 1/4" OD Tube
34	1238630		Wire, Electric, 13-#16, 2-#12 x 9', Shielded
35	1179605		Decal, ETL
36	1404100		Decal, Terminal Block Torque



# Tower Panels

## Panel, Twist Safety, 1227260

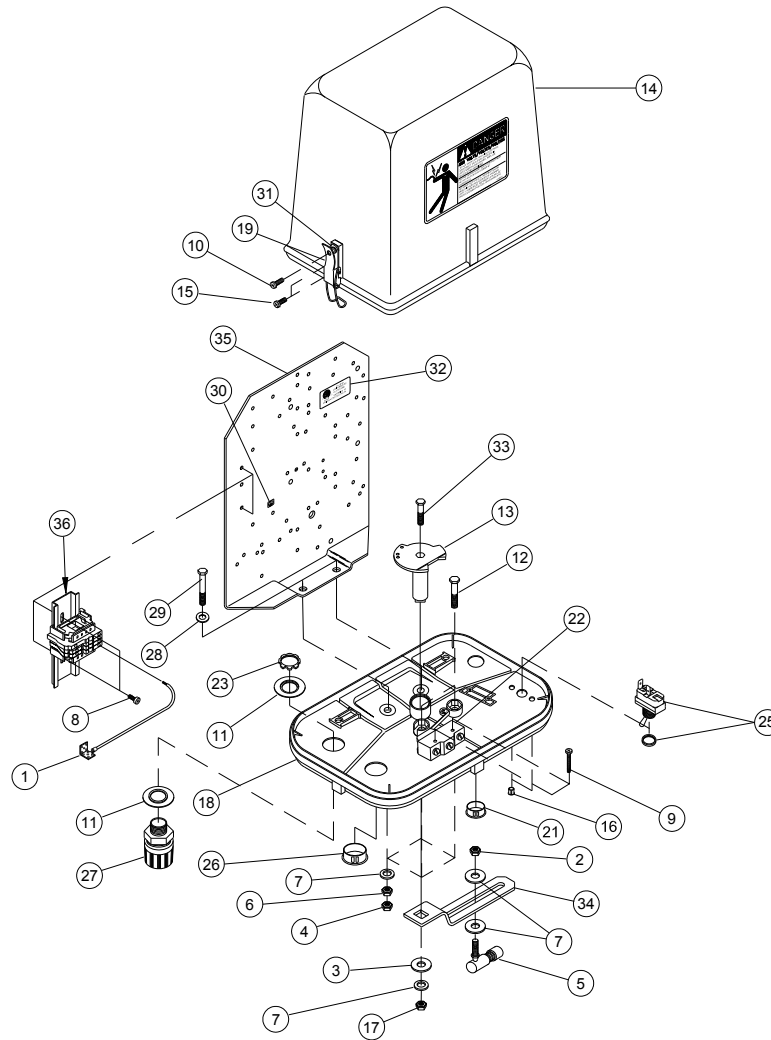


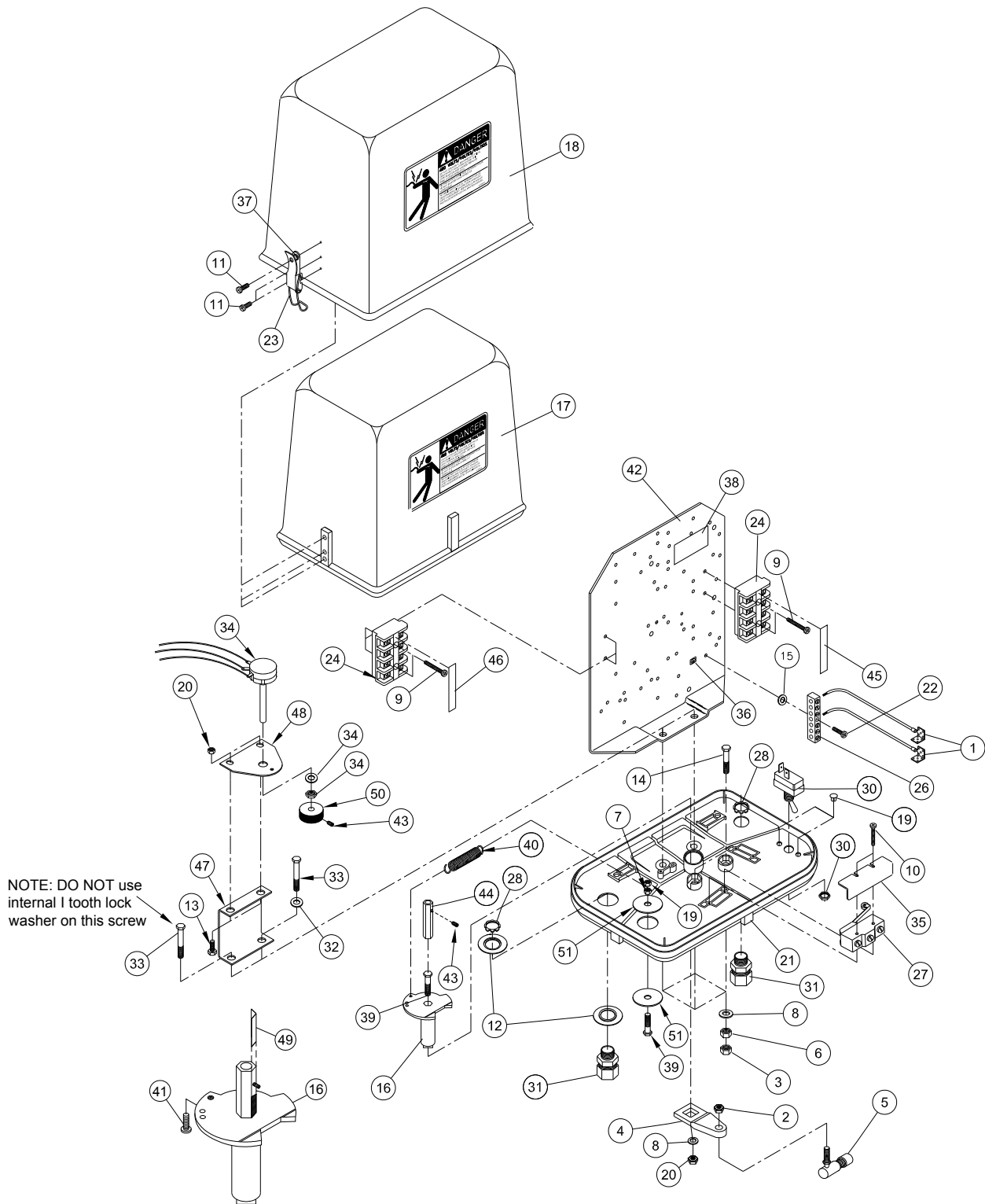
Figure 1

Ref.	Original Part No.	Substitute Part No.	Description
1	3-4629-6		Termifoil Assembly
2	6-0240-9		Nut, 5/16-24, Hex
3	6-0250-8		Washer, Flat, 3/8"
4	6-0262-3		Nut, 5/16-18, Lock, Nylon Insert
5	6-0470-2		Joint, Ball, Quick Disconnect
6	6-0822-4		Nut, 5/16-18, Hex
7	6-0842-2		Washer, Flat, 1/4"
8	6-0847-1		Screw, #8-32 x 3/8", Ph Pn Hd, #23
9	6-0851-3		Screw, #6-20 x 1", Ph. Pan Hd., #25
10	6-0856-2		Screw, #6-20 x 1/2", Ph. Pn Hd, #25
11	6-2158-1		Washer, Reduc., 3/4" x 1/2", Conduit
12	6-3146-5		Screw, 5/16"-18 x 1-1/2", Hex, Gr. 5
13	6-3751-2		Cam, Tower, Panel, Plastic
14	6-4208-2		Shield, Tower Box, In, 480Decal
15	6-4234-8		Screw, #6-20 x 3/8", Ph. Pn. Hd, #25
16	6-4235-5		Plug, Hole, Nylon, 1/4 x .062" Thick
17	6-4267-8		Nut, 1/4-20, Lock, Nylon Insert
18	6-4342-9		Base, Tower Control Box, Gray

Ref.	Original Part No.	Substitute Part No.	Description
19	6-4822-0		Latch, Pull-Down, 3 Hole
20	9-7608-4		Term., Wire, B, #16-14, Spade 6
21	9-8986-3		Plug, Hole, Nylon, 7/8"
22	0990309		Switch, Micro, SPDT, 15A, 120V
23	9-9156-2		Nut, Conduit, 1/2", Lock
24	9-9211-5		Term., Slip-On
25	9-9232-1		Switch, Toggle, SPST
26	9-9297-4		Plug, Hole, 1-1/8", Nylon
27	11-2835-4		Connector, 1/2" w/o Nut, .37-.5" Dia.
28	11-3530-0		Washer, Lock, 5/16", Int. Tooth
29	11-3842-9		Screw, 5/19-18 x 1-3/4", Plt
30	11-7357-4		Decal, P.E., Ground Symbol
31	11-7429-1		Sleeve, Captive, Tower Box
32	11-7960-5		Decal, ETL
33	11-8405-0		Screw, 1/4-20 x 1", Hex
34	12-9415-0		Arm, Cam, Twist Safety Panel
35	12-3201-0		Plate, Mount, Displacement Panel
36	12-4874-0		Terminal, Block, TB1

# Tower Panels

## Panel, I.M.C. Displacement, Potentiometer, 1287610





# Tower Panels

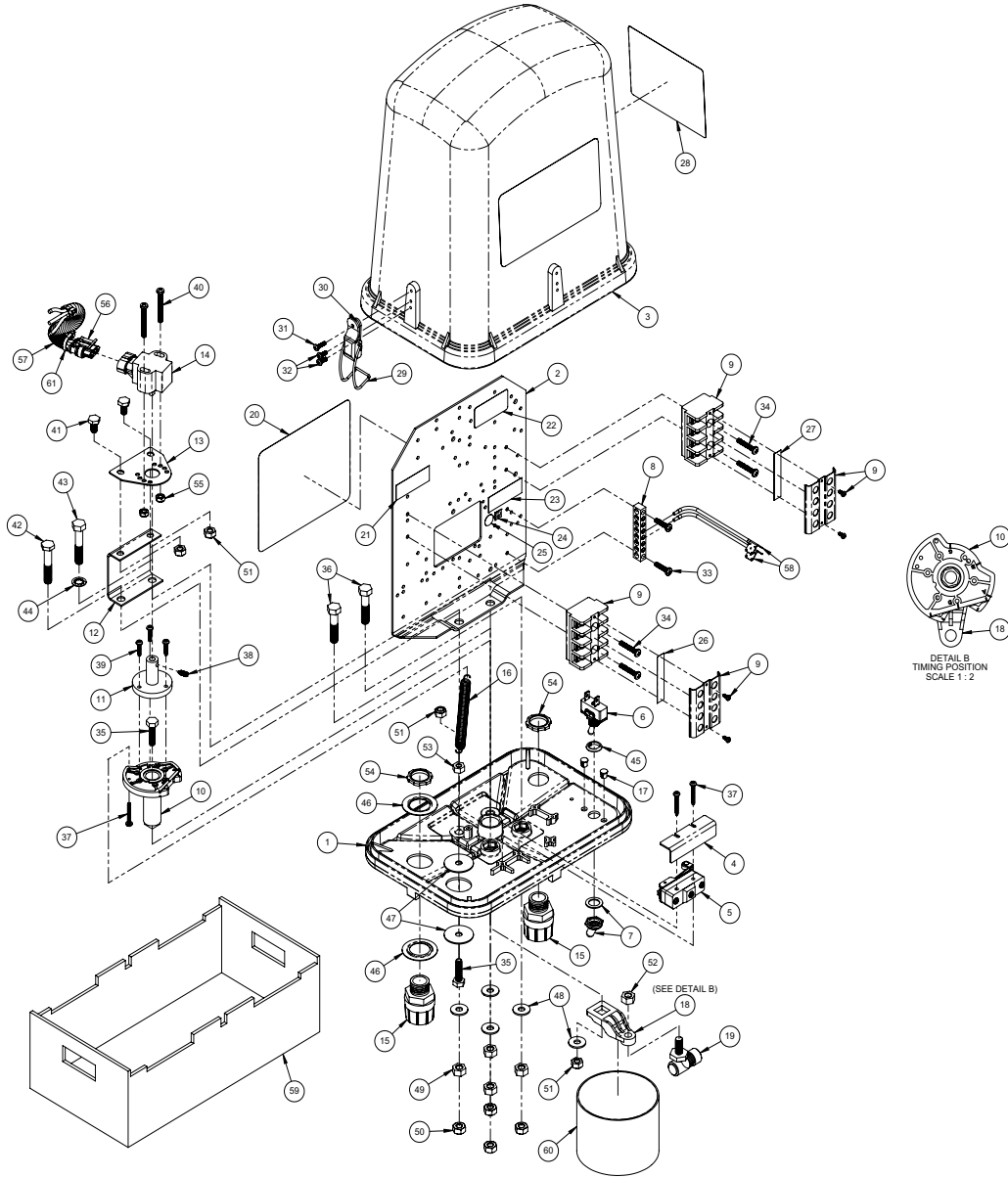
## Panel, I.M.C. Displacement, Potentiometer, 1287610

Ref.	Original Part No.	Substitute Part No.	Description
1	3-4629-6		Termifoil Assembly
2	6-0240-9		Nut, 5/16-24, Hex
3	6-0262-3		Nut, 5/16-18, Lock, Nylon Insert
4	6-0460-3		Arm, Cam, Tower Control Box
5	6-0470-2		Joint, Ball, Quick Disconnect
6	6-0822-4		Nut, 5/16-18, Hex
7	6-0841-4		Nut, 1/4-20, Hex
8	6-0842-2		Washer, Flat, 1/4"
9	6-0850-5		Screw, #8-32 x 1", Ph Pn Hd, #23
10	6-0851-3		Screw, #6-20 x 1", Ph. Pan Hd, #25
11	6-0856-2		Screw, #6-30 x 1/2", Ph Pn.Hd.#25
12	6-2158-1		Washer, Reduc., 3/4"x 1/2", Conduit
13	6-2434-6		Screw, 1/4-20 x 1/2", Hex
14	6-3146-5		Screw, 5/16"-18 x 1-1/2", Hex, Gr. 5
15	6-3432-9		Washer, Lock, #8, I-Tooth
16	6-3751-2		Cam, Tower, Panel, Plastic
17	6-4208-2		Shield, Tower Box, In, 480Decal
18	6-2508-7		Shield, Tower Box, Out, 480Decal
19	6-4235-5		Plug, Hole, Nylon, 1/4 x .062" Thick
20	6-4267-8		Nut, 1/4-20, Lock, Nylon Insert
21	6-4342-9		Base, Tower Control Box, Gray
22	6-4553-1		Screw, 8-32 x 3/4", Ph. Pn. Hd. #23
23	6-4822-0		Latch, Pull-Down, 3 Hole
24	9-7604-3		Block, Term., 4 Pt., CR151B46AF
25	9-7608-4		Term, Wire, B, #16-14, Spade 6, Ins
26	9-7631-6	1610341	Bar, Ground, Term., 6-#14, 6-#8
27	0990309		Switch, Micro, SPDT, 15A, 120V
28	9-9156-2		Nut, Conduit, 1/2", Lock
29	9-9211-5		Term., Slip-On (not shown)
30	9-9232-1		Switch, Toggle, SPST
31	11-2835-4		Connector, 1/2"w/o Nut, .37-.5" Dia.
32	11-3530-0		Washer, Lock, 5/16", Int. Tooth
33	11-3842-9		Screw, 5/19-18 x 1-3/4", Plt
34	11-6708-9		Potentiometer Assy, 2.5 K
35	11-7353-3		Shield, Micro-Switch, CE
36	11-7357-4		Decal, P.E., Ground Symbol
37	11-7429-1		Sleeve, Captive, Tower Box
38	11-7960-5		Decal, ETL
39	11-8405-0		Screw, 1/4-20 x 1", Hex
40	11-9156-0		Spring, Cam, Tower Panel
41	12-0246-0		Screw, #6-32 x 3/4", Ph. Pn. Hd.
42	12-3201-0		Plate, Mount, Displacement Panel
43	12-3209-0		Screw, Set, 10-24 x 3/8", S.S.
44	12-3285-0		Adapter, Potentiometer, Hex, Brass
45	12-3293-0		Decal, Term. Marker, Displ. Panel
46	12-3846-0		Decal, Term. Marker, Displ. Panel
47	12-8977-0		Base, Potentiometer Mounting
48	12-8978-0		Plate, Potentiometer Mounting
49	12-8979-0		Shim, Hex Shaft
50	12-8980-0		Collar, Brass, Adjusting
51	12-9488-0		Washer, Fender, 1-1/4" O.D.



# Tower Panels

## Panel, I.M.C. Displacement, Encoder, 1609858



DETAIL B  
TIMING POSITION  
SCALE 1:2



# Tower Panels

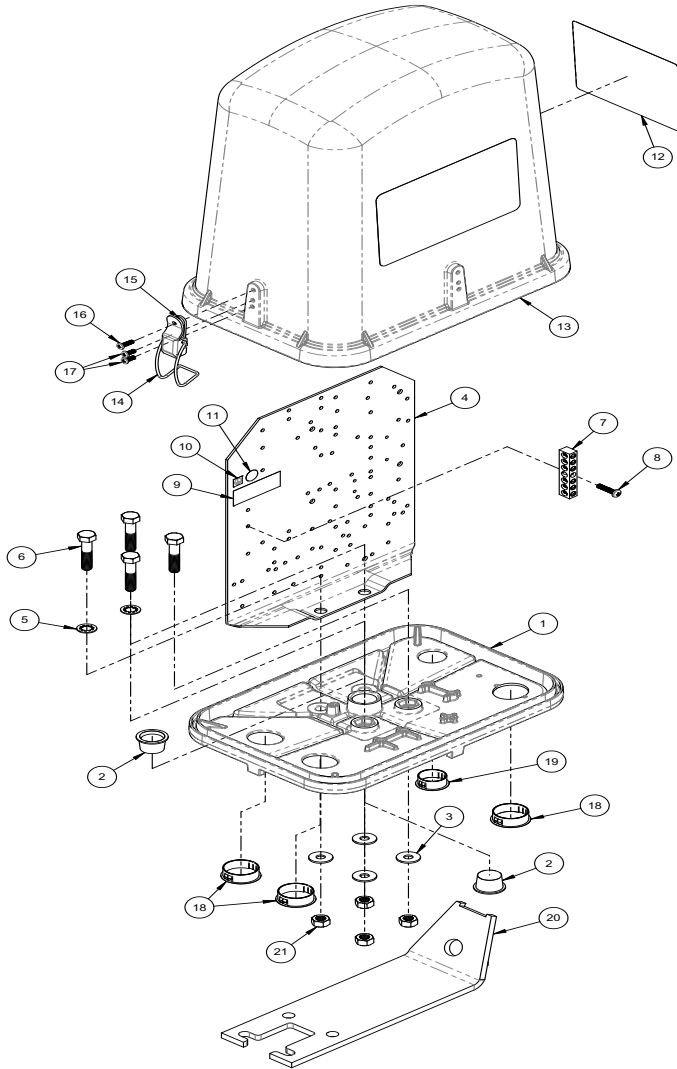
## Panel, I.M.C. Displacement, Encoder, 1609858

Ref.	Original Part No.	Substitute Part No.	Description
1	1601679		Base, Tower Control Box, Gray, Switch
2	1232010		Plate, Mount, 9500CC
3	1608384		Shield, Tower Control Box, Gray, Hazard
4	1173533		Shield, Microswitch, CE
5	0990309		Switch, Micro, SPDT, 15A, 120V
6	1601412		Switch, Toggle, SPST, CE
7	1602688		Boot, Switch, Toggle, APEM, 600H
8	1610341		Bar, Ground, Terminal, 6 #4-14, 2 Screws
9	0976043		Block, Terminal, 4 PT, #CR151B46AF
10	1609022		Cam, Tower Panel, Plastic, T-Head
11	1609802		Adapter, Sensor, Displacement Panel
12	1289770		Base, Potentiometer Mounting
13	1609589		Plate, Hall-Effect Sensor, IMC
14	1609587		Sensor, Position, Hall-Effect
15	1128354		Connector, 1/2" without Nut, .37-.5" Dia
16	1191560		Spring, Cam, Tower Panel
17	0642355		Plug, Nylon, 1/4 x .062 Thick
18	1609021		Arm, Cam, Tower Panel, Step Down
19	0604702		Joint, Ball, Quick Connect
20	1609867		Decal, Schematic, IMC Hall Effect Panel
21	1190470		Decal, Terminal Block, Torque, CE
22	1179605		Decal, ETL
23	1375550		Decal, Terminal Torque, Ground Bar
24	1173574		Decal, PE Ground Symbol
25	1601326		Decal, Green/Yellow, PE
26	1238460		Decal, Term Marker, Displacement Panel
27	1232930		Decal Term Marker, Displacement Panel, SCP
28	1610167		Decal, Product ID, 9500CC IMC Panel
29	0648220		Latch, Pull-Down, 3 Hole
30	1174291		Sleeve, Captive, Tower Box
31	0608562		Screw, #6-20 x 1/2, Phil. Pan Head, #25
32	0642348		Screw, #6-20 x 3/8, Phil. Pan Head, #25
33	0645531		Screw, #8-32 x 3/4, Phil. Pan Head, #23
34	0608505		Screw, #8-32 x 1, Phil. Pan Head, #23
35	1184050		Screw, 1/4-20 x 1, Hex, Full Thread, SS
36	0631465		Screw, 5/16-18 x 1-1/2", Hex
37	0608513		Screw, #6-20 x 1, Phil. Pan Head, #25
38	1232090		Screw, Set, 10-24 x 3/8", Stainless
39	0633685		Screw, #6-20 x 5/8, Phil. Pan Head, #25
40	1610047		Screw, #8-32 x 1-1/2, Phil. Pan Head, SS
41	0624346		Screw, 1/4-20 x 1/2, Hex
42	1600612		Screw, Spc'l, 5/16-18 x 1-3/4"
43	1138429		Screw, 5/16-18 x 1-3/4", Hex
44	1135300		Washer, 5/16", Lock, Internal Tooth
45	1602687		Washer, Sealing, Switch, APEM600H
46	0621581		Washer, Reducing, 3/4"x 1/2", Cond.
47	1294880		Washer, Fender, 1-1/4" OD
48	0608422		Washer, 1/4", Flat
49	0608224		Nut, 5/16-18, Hex
50	0602623		Nut, 5/16-18, Lock, Nylon Insert
51	0642678		Nut, 1/4-20, Lock, Nylon Insert
52	0602409		Nut, 5/16-24, Hex, Stainless Steel
53	0608414		Nut, 1/4-20, Hex
54	0991562		Nut, Conduit, 1/2", Lock
55	1208920		Nut, #8-32, Lock, Nylon Insert
56	1609588		Cable, Assy, Position, IMC
57	1229340		Tubing, Corrugated Loom, .505" ID
58	0346296		Termifoil Assy, CE



# Tower Panels

## Panel Ass'y, Corner, VFD Junction, 1601281



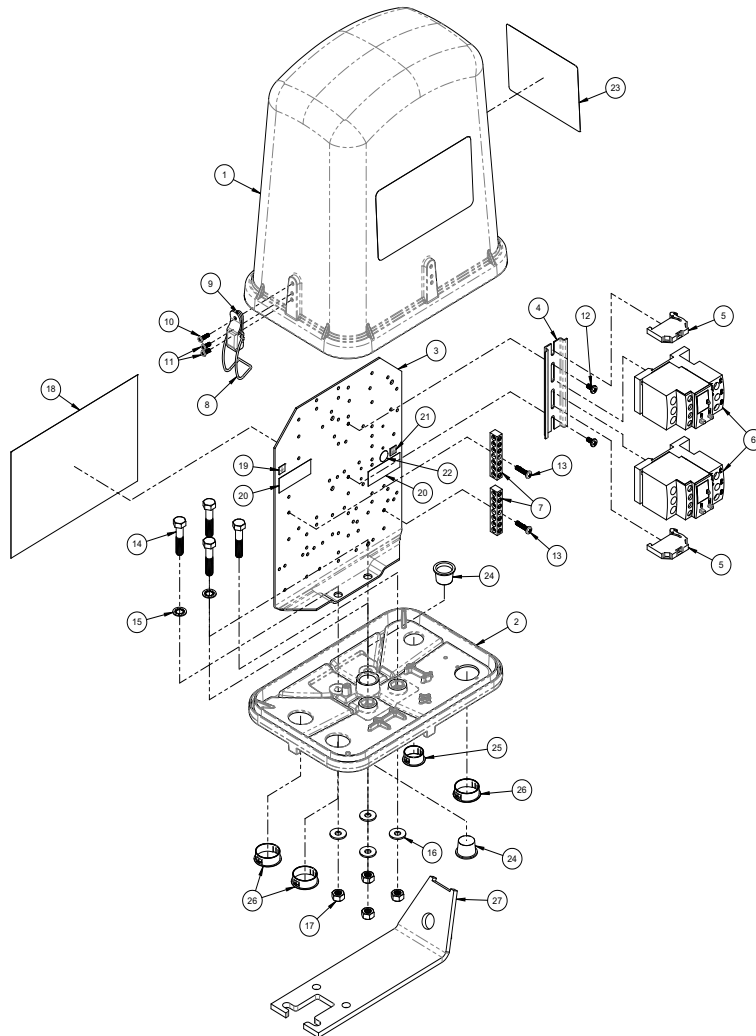
Ref.	Original Part No.	Substitute Part No.	Description
1	1608481		Base, Twr Cont. Box, Jct., 9500CC
2	0990200		Plug, Caplug #9X
3	0608422		Washer, Flat, 1/4"
4	0340174		Plate, Starter Mount
5	1135300		Washer, 5/16", Lock, Int. Tooth
6	0631465		Screw, 5/16-18x1-1/2", Hex
7	0976316	1610341	Gnd. Bar Term, 6-#14, 6-#8
8	0645531		Screw, #8-32x3/4", PH, PN HD, #23
9	1375550		Decal, Term. Torque, Gndbar
10	1173574		Decal, PE, Ground Symbol
11	1601326		Decal, Green/Yellow, PE
12	1605839		Decal, Prod. ID, 9500CC, VFD
13	1608384		Shield, Twr Cont Box, Gray, Hazrd
14	0648220		Latch, Pull-Down, 3 Hole
15	1174291		Sleeve, Captive, Tower Box
16	0608562		Screw, #6-20x1/2", PH, PN HD, #25

Ref.	Original Part No.	Substitute Part No.	Description
17	0642348		Screw, #6-20x3/8", PH, PN HD, #25
18	0992974		Plug, Hole, 1-1/8", Nylon
19	0989863		Plug, Hole, Nylon, 7/8
20	0409003		Mount, Booster Pump Pnl, Jct.
21	0608224		Nut, 5/16-18, Hex



# Tower Panels

## Panel Ass'y, Corner, Motor Junction 2x2, 1602706



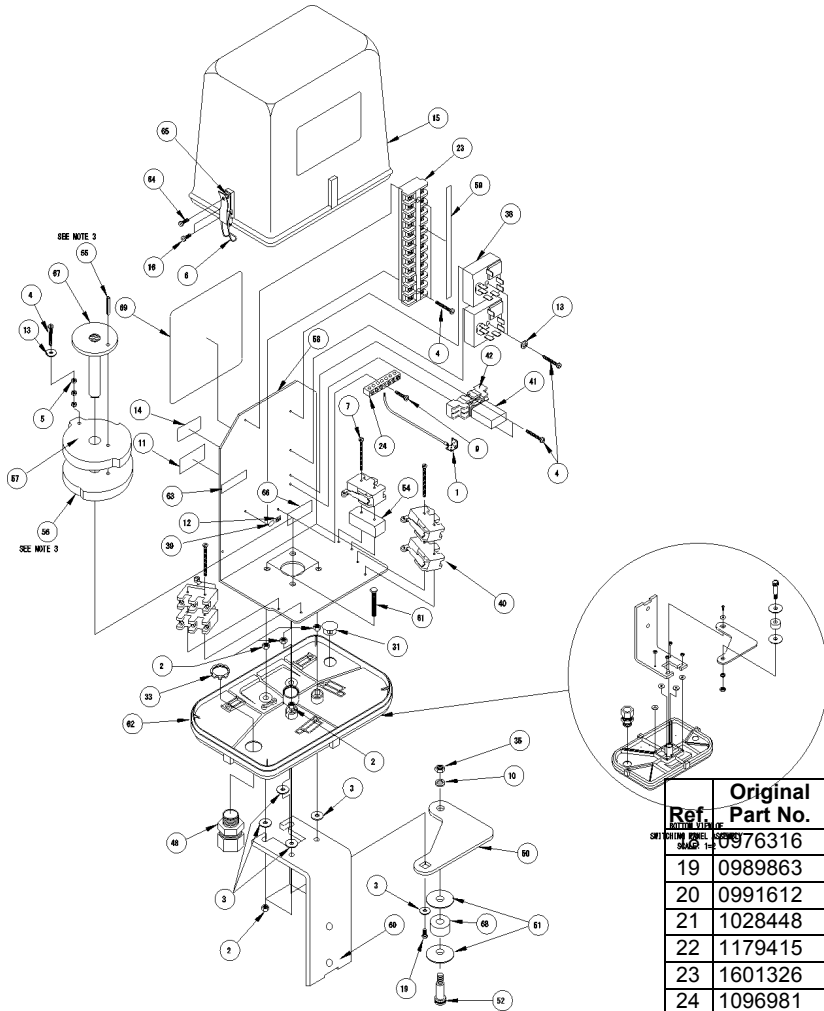
Ref.	Original Part No.	Substitute Part No.	Description
1	1608384		Shield, Twr Cont Box, Gray, Hazrd
2	1608481		Base, Twr Cont. Box, Jct., 9500CC
3	0340174		Plate, Starter Mount
4	1237050		Rail, Din, 4.5"
5	1246200		Block, Term, End Stop, Screwless
6	1603060		Relay, Ovrl, LRD08, Config
7	0976316	1610341	Gnd. Bar Term, 6-#14, 6-#8
8	0648220		Latch, Pull-Down, 3 Hole
9	1174291		Sleeve, Captive, Tower Box
10	0608562		Screw, #6-20x1/2", PH, PN HD, #25
11	0642348		Screw, #6-20x3/8", PH, PN HD, #25
12	0608471		Screw, #8-32x3/8", Ph, PN HD, #23
13	0645531		Screw, #8-32x3/4", PH, PN HD, #23
14	0631465		Screw, 5/16-18x1-1/2", Hex
15	1135300		Washer, 5/16", Lock, In. Tooth
16	0608422		Washer, 1/4", Flat
17	0608224		Nut, 5/16-18, Hex

Ref.	Original Part No.	Substitute Part No.	Description
18	1603366		Decal, Schematic, 9500CC, Jct.
19	1286470		Decal, Ground Symbol
20	1375550		Decal, Term. Torque, Gndbar
21	1173574		Decal, PE, Ground Symbol
22	1601326		Decal, Green/Yellow, PE
23	1603360		Decal, Prod. ID, 9500CC, 2x2
24	0990200		Plug, Caplug #9X
25	0989863		Plug, Hole, Nylon, 7/8
26	0992974		Plug, Hole, 1-1/8", Nylon
27	0409003		Mount, Booster Pump Pnl, Jct.



# Tower Panels

## Panel Ass'y, Corner, Switch, 1603710



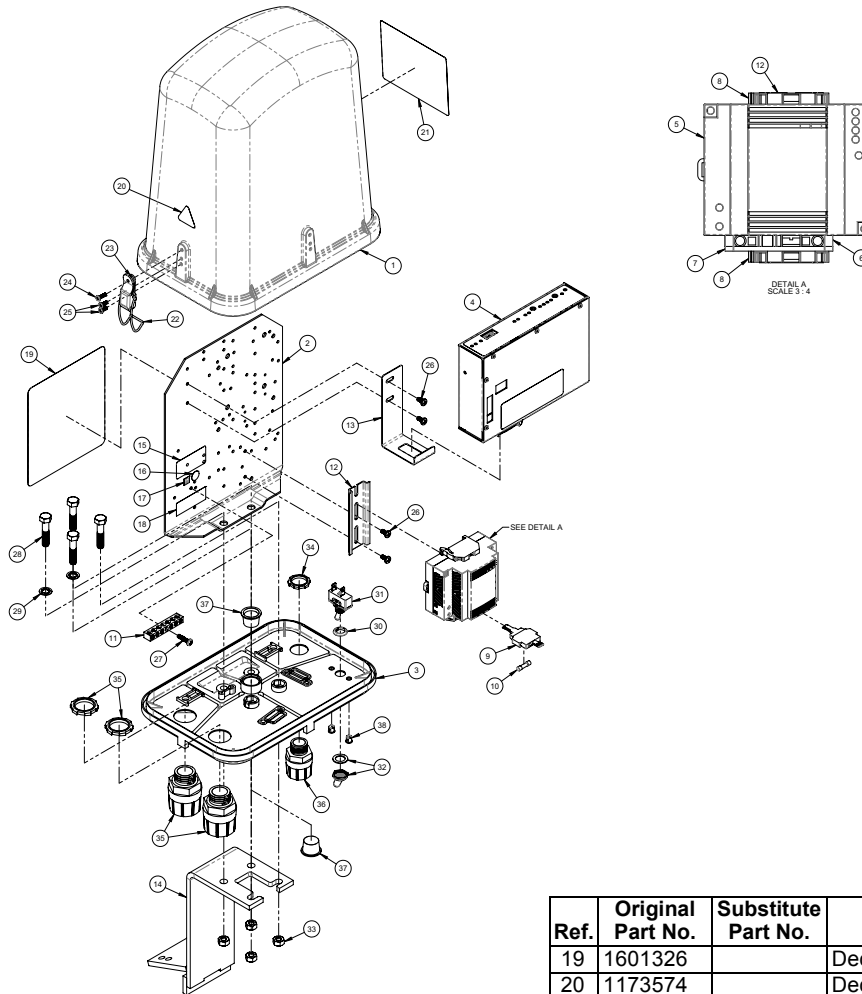
Ref.	Original Part No.	Substitute Part No.	Description
1	0346296		Termifoil Ass'y
2	0608224		Nut, 5/16-18, Hex
3	0608422		Washer, 1/4", Flat
4	0608505		Screw, #8-32x1", PH, PN HD, #23
5	0608539		Nut, #8-32, Hex
6	0648220		Latch, Pull-Down, 3 Hole
7	0624288		Screw, #8-32x1-1/2", Slot, PN HD
8	0645531		Screw, #8-32x3/4", PH, PN HD
9	0634055		Washer, 7/16", Lock, Helical
10	0636621		Decal, Built Tested
11	1173574		Decal, PE, Ground Symbol
12	0639862		Washer, #8, Flat
13	1179605		Decal, ETL
14	1608384		Shield, Twr Ctrl Box, Gray, 480
15	0642348		Screw, #6-20x3/8", PH, PN HD, #25
16	0646877		Screw, 1/4-20x5/8", Hex
17	0976027		Block, Term, 12PT, CR151B26AF

Ref	Original Part No.	Substitute Part No.	Description
18	0976316	1610341	Groundbar, Term, 6-#14, 6-#8
19	0989863		Plug, Hole, Nylon, 7/8"
20	0991612		Nut, Conduit, 3/4", Lock
21	1028448		Nut, M10x1.5, Hex
22	1179415		Timer Ass'y, .5 sec, SPDT, 10A, CE
23	1601326		Decal, Green/Yellow, PE
24	1096981		Microswitch, Adjustable
25	1100155		Relay, Plug-In, DPDT, 120V
26	1100163		Socket, Relay, DPDT, 5A, 300V
27	1128370		Connector, 3/4" w/o Nut, .7-.8"
28	1130665		Arm, Cam
29	1130707		Washer, Roller Ass'y, CP
30	1130731		Screw, SHSS, 12mm x 25mm
31	1136316		Block, Spacer, Safe, Switch
32	1136324		Pin, Expan, 3/16 x 1-1/8"
33	1136365		Cam, Bottom, Ctrl Panel, Switch
34	1136373		Cam, Top, Ctrl Panel, Switch
35	1136381		Plate, Mounting, Switch Box
36	1136415		Decal, Term Mark, Switch Box
37	1136456		Bracket, Switch Panel
38	1423360		Screw, 5/16-18x1-3/4", Hex
39	1608478		Base, Twr Ctrl Box, Corner Switch
40	1190470		Decal, Term Torque, CE
41	0608562		Screw, #6-20x1/2", PH, PN HD, #25
42	1174291		Sleeve, Captive, Tower Box, CE
43	1375550		Decal, Term Torque, Gndbar
44	1608979		Shaft, Cam, Short
45	1603395		Bushing, 5/8" x 7/8", SS
46	1609233		Decal, Panel, Pivot, Corner



# Tower Panels

## Panel Ass'y, Corner, Buried Wire Guidance, 12V Power, 1605590



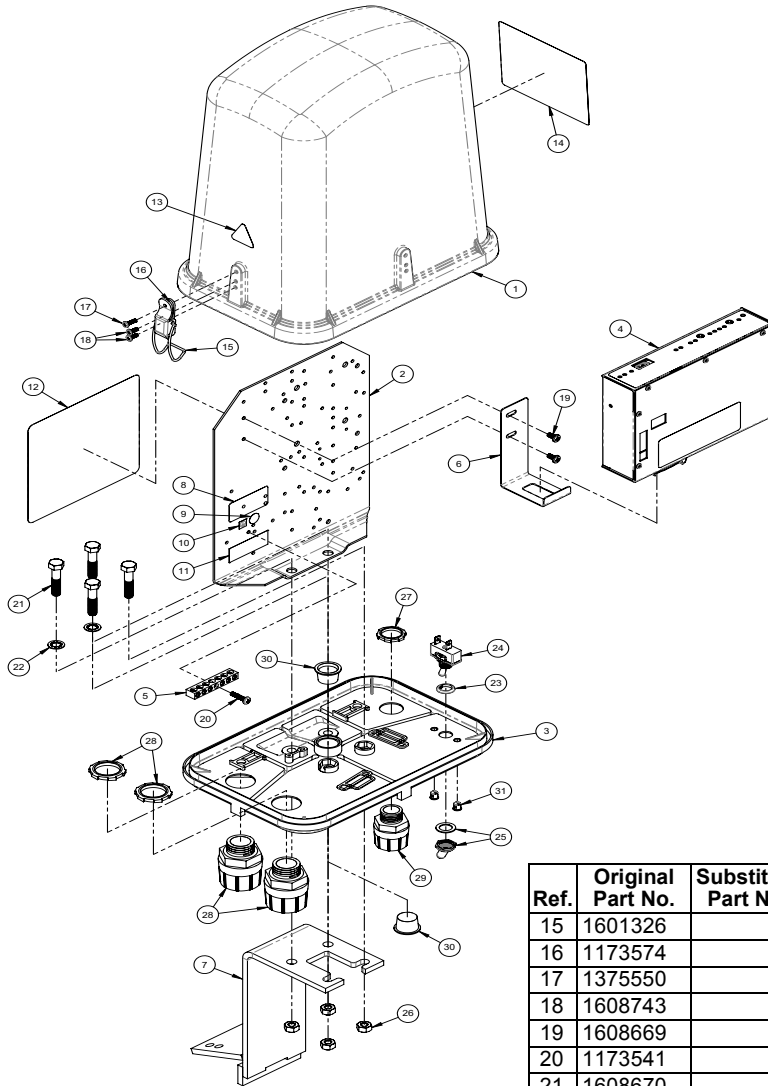
Ref.	Original Part No.	Substitute Part No.	Description
1	1601021		Shield, Twr, Cont, Box, Gray
2	1286530		Plate, Starter Mount, Corner Mod
3	1601679		Base, Twr, Cont, Box, Gray, Switch
4	1601207		Transmitter, BWGS
5	1600373		Power Supply, 12V, 4.5A, 60W
6	1608402		Rail, Din, 70mm
7	1238660		Block, Term, Clamp, 2
8	1246160		Block, Term, Fuseholder, 2
9	1246170		Block, Term, End Cap, 2
10	1246200		Block, Term, End Stop, Screwless
11	1246150		Block, Term, Fused, Plug-In, 2
12	1291060		Fuse, 2A, 250V, 5x20mm, Slow
13	0976316	1610341	Groundbar, Terminal, 6-#14, 6-#8
14	1605605		Bracket, Transmit, 9500CC, BWG
15	1009422		Mount, Weld, Transmit Panel
16	1608741		Ferrite, Core, Ring, 28B1020-100
17	0908244		Base, Wire Tie Support
18	0908160		Tie, Cable, 5-1/2" Long

Ref.	Original Part No.	Substitute Part No.	Description
19	1601326		Decal, Green/Yellow, PE
20	1173574		Decal, PE, Ground Symbol
21	1375550		Decal, Term Torque, Groundbar
22	1608742		Decal, 9500CC, BWG TX, Term
23	1605591		Decal, BWG Transmit, CE, Schem
24	1173541		Decal, Electric Shock, ISO/CE
25	1605592		Decal, Prod. ID, BWG Transmit, CE
26	0648220		Latch, Pull-Down, 3 Hole
27	1174291		Sleeve, Captive, Tower Box
28	0608562		Screw, #6-20x1/2", PH, PN HD
29	0642348		Screw, #6-20x3/8", PH, PN HD
30	0608471		Screw, #8-32x3/8", PH, PN HD
31	0645531		Screw, #8-32x3/4", PH, PN HD,
32	0631465		Screw, 5/16-18x1-1/2", Hex
33	1135300		Washer, Lock, 5/16" In. Tooth
34	1602687		Washer, Sealing, Switch, APEM600H
35	1601412		Switch, Toggle, SPST, CE
36	1602688		Boot, Switch, Toggle, APEM600H
37	0602623		Nut, 5/16-18, Nylock
38	0991562		Nut, Conduit, 1/2", Lock
39	0990200		Plug, Caplug #9X
40	0642355		Plug, Hole, Nylon, 1/4"
41	0346296		Termifoil Ass'y, CE
42	1285960		Connector, 3/4" w/Nut, .37-.5"
43	1128354		Connector, 1/2" w/o Nut, .37-.5"



# Tower Panels

## Panel Ass'y, Corner, Buried Wire Guidance, 12 VDC, 1608647



Ref.	Original Part No.	Substitute Part No.	Description
1	1601021		Shield, Twr, Cont, Box, Gray
2	1286530		Plate, Starter Mount, Corner Mod
3	1601679		Base, Twr, Cont, Box, Gray, Switch
4	1601207		Transmitter, BWGS
5	1608402		Rail, Din, 70mm
6	1238660		Block, Term, Clamp, 2
7	1601928		Block, Term, Clamp, Fuse, Mini
8	1601929		Block, Term, Clamp, Fuse,, End
9	1246200		Block, Term, End Stop, Screwless
10	1601422		Fuse, Mini, Automotive, 5A, 32V
11	0976316	1610341	Groundbar, Terminal, 6-#14, 6-#8
12	1605605		Bracket, Transmit, 9500CC, BWG
13	1009422		Mount, Weld, Transmit Panel
14	0908244		Base, Wire Tie Support

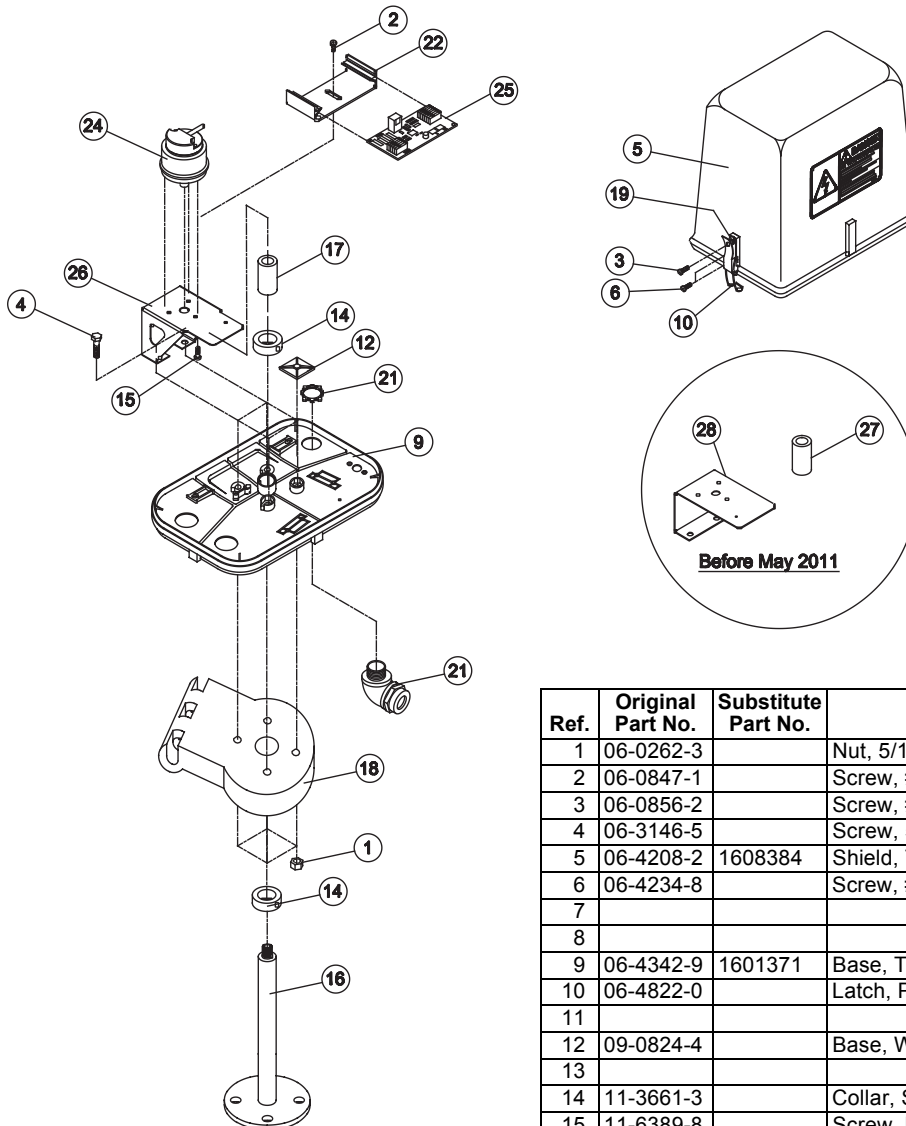
Ref.	Original Part No.	Substitute Part No.	Description
15	1601326		Decal, Green/Yellow, PE
16	1173574		Decal, PE, Ground Symbol
17	1375550		Decal, Term Torque, Groundbar
18	1608743		Decal, 9500CC, BWG TX, 12VDC
19	1608669		Decal, BWG, TX 12V Batt, Schem
20	1173541		Decal, Electric Shock, ISO/CE
21	1608670		Decal, Prod. ID, BWG TX, 12V Batt
22	0648220		Latch, Pull-Down, 3 Hole
23	1174291		Sleeve, Captive, Tower Box
24	0608562		Screw, #6-20x1/2", PH, PN HD
25	0642348		Screw, #6-20x3/8", PH, PN HD
26	0608471		Screw, #8-32x3/8", PH, PN HD
27	0645531		Screw, #8-32x3/4", PH, PN HD,
28	0631465		Screw, 5/16-18x1-1/2", Hex
29	1135300		Washer, Lock, 5/16" In. Tooth
30	1602687		Washer, Sealing, Switch, APEM600H
31	1601412		Switch, Toggle, SPST, CE
32	1602688		Boot, Switch, Toggle, APEM600H
33	0602623		Nut, 5/16-18, Nylock
34	0991562		Nut, Conduit, 1/2", Lock
35	1285960		Connector, 3/4" w/Nut, .37-5"
36	1128354		Connector, 1/2" w/o Nut, .37-.5"
37	0990200		Plug, Caplug #9X
38	0642355		Plug, Hole, Nylon, 1/4"
39	0346296		Termifoil Ass'y, CE



# Tower Panels

## Encoder Assembly, Drive, 1394900

**NOTE:** If used on AIMS Advance, Board 14-8581-0 is needed..

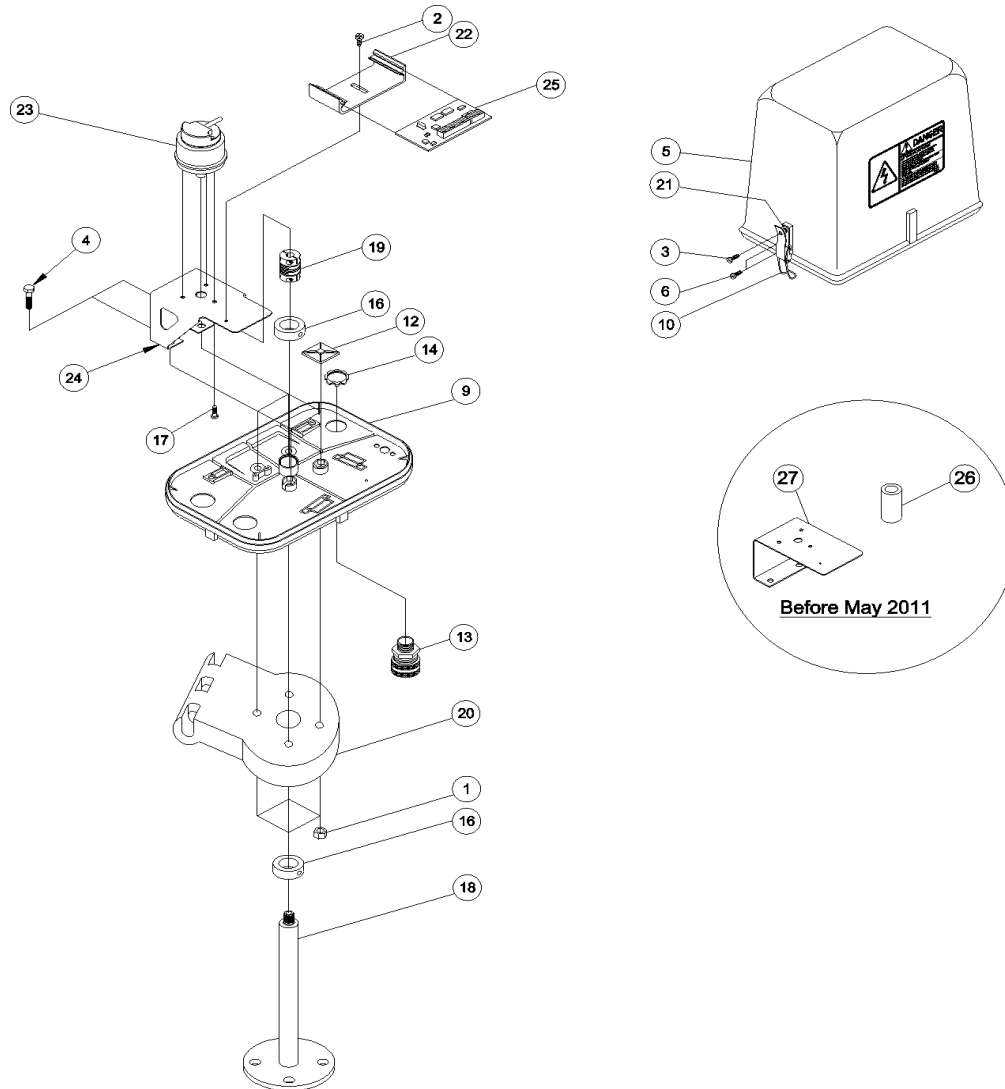


Ref.	Original Part No.	Substitute Part No.	Description
1	06-0262-3		Nut, 5/16"-18, Lock, Nylon Insert
2	06-0847-1		Screw, #8-32 x 3/8", Ph. Pn. Hd.#23
3	06-0856-2		Screw, #6-20 x 1/2", Ph. Pn. Hd.#25
4	06-3146-5		Screw, 5/16-18 x 1-1/2", Hex, Gr. 5
5	06-4208-2	1608384	Shield, Tower Box, Gray,480 Decal
6	06-4234-8		Screw, #6-20 x 3/8", Phillips Pan Head,#25
7			
8			
9	06-4342-9	1601371	Base, Tower Control Box, Gray
10	06-4822-0		Latch, Pull-Down, 3 Hole
11			
12	09-0824-4		Base, Wire Tie Support
13			
14	11-3661-3		Collar, Shaft, 3/4"
15	11-6389-8		Screw, M4-.7 x 6, Phillips Pan Head, Plated
16	11-6398-9		Shaft/Gear, Plated
17	15-0344-0		Coupling, Plastic, Split, 10mm
18	11-6587-7		Mount, Molded, Encoder Panel
19	11-7429-1		Sleeve, Captive, Tower Box
20	13-0330-0		Connector, 1/2 Str., Liq. Tight
21	13-0331-0		Connector, 1/2 x 90°, Liq. Tight
22	13-4103-0		Snaptrack, 4" x 2"
23	13-4104-0		Cable Assy, RS485, Encoder, 15'
24	13-9376-0		Encoder, ABS, 8192, RLS
25	13-9377-0		Board, Magnetic, Encoder Mounting
26	15-0343-0		Bracket, Magnetic Encoder Mounting
27	11-6586-9	15-0859-0	Coupling, Encoder, 3/8" I.D. x 1-1/2"
28	14-0147-0	15-0859-0	Bracket, Magnetic Encoder Mounting
29	15-0859-0		Kit, Encoder Coupler Replacemt, Not Shown



# Tower Panels

## Encoder Assembly, Parallel 1487470



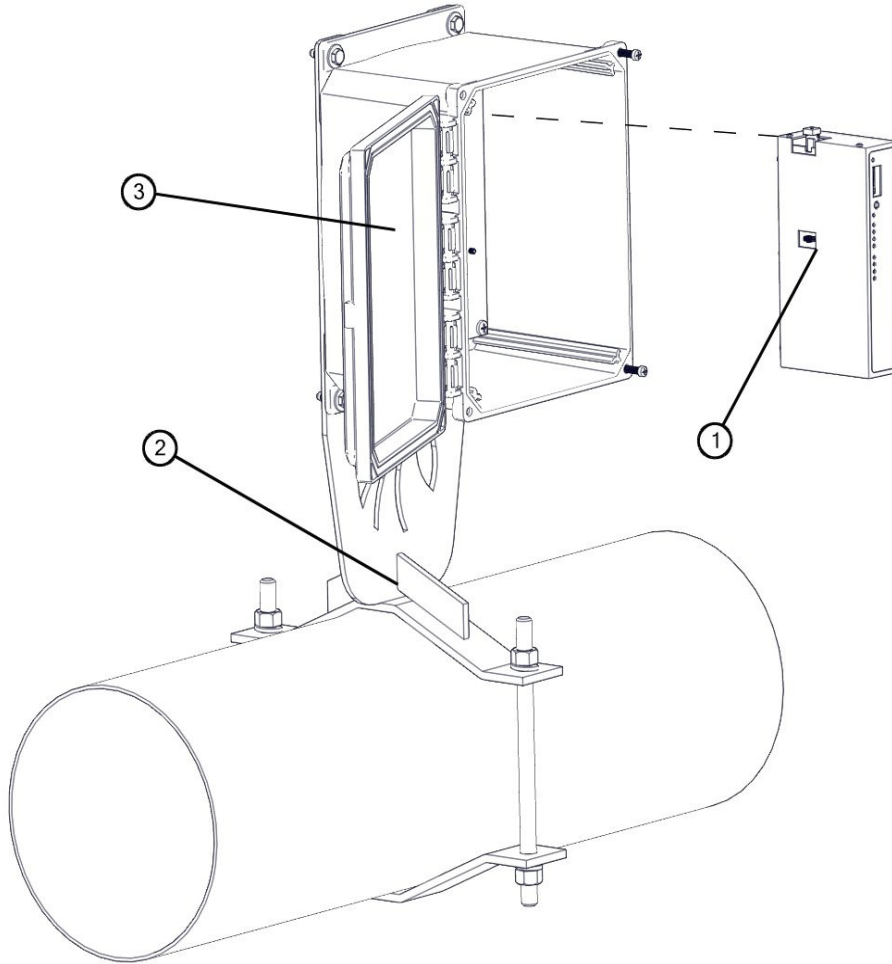
Ref.	Original Part No.	Substitute Part No.	Description
1	06-0262-3		Nut, 5/16"-18, Lock, Nylon Insert
2	06-0847-1		Screw, #8-32 x 3/8", Ph. Pn. Hd.#23
3	06-0856-2		Screw, #6-20 x 1/2", Ph. Pn. Hd.#25
4	06-3146-5		Screw, 5/16-18 x 1-1/2", Hex, Gr. 5
5	06-4208-2	1608384	Shield, Tower Box, Gray,480 Decal
6	06-4234-8		Screw, #6-20 x 3/8", Ph Pn Hd,#25
7			
8			
9	06-4342-9	1601371	Base, Tower Control Box, Gray
10	06-4822-0		Latch, Pulldown, 3 Hole
11	09-0816-0		Tie, Cable, Plastic (not shown)
12	09-0824-4		Base, Wire Tie Support
13	09-9050-7		Connector, 1/2", 0.25-0.38
14	09-9156-2		Nut, Conduit, 1/2", Lock, Zn
15			

Ref.	Original Part No.	Substitute Part No.	Description
16	11-3661-3		Collar, Shaft, 3/4"
17	11-6389-8		Screw, M4-.7 x 6, Ph. Pn Hd, Pltd.
18	11-6398-9		Shaft/Gear, Plated
19	15-0344-0		Coupling, Plastic, Slit, 10mm
20	11-6587-7		Mount, Molded, Encoder Panel
21	11-7429-1		Sleeve, Captive, Tower Box
22	13-4103-0		Snaptrack, 4" x 2"
23	13-9376-0		Encoder, ABS 8192, RLS
24	15-0343-0		Bracket, Mag. Encoder Mounting
25	14-8581-0		Board, PC, Encoder, Conversion
26	11-6586-9	15-0859-0	Coupling, Encoder, 3/8" I.D.x1-1/2"
27	14-0147-0	15-0859-0	Bracket, Mag. Encoder Mounting
28	15-0859-0		Kit, Encoder Coupler Replacemt, Not Shown



# Tower Panels

## Module and Mount, VISION, Lateral, GPS



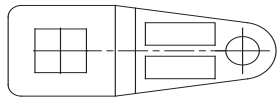
REF. NO.	PART NO.	DESCRIPTION	QTY
1	1600488	MODULE,ASSY,CTL LINE TNCVR,GPS	1
2	1600635	KIT, VISION, LATERAL, GPS, MOUNT	1
3	1600489	PANEL, LATERAL, POSITION SYSTEM	1



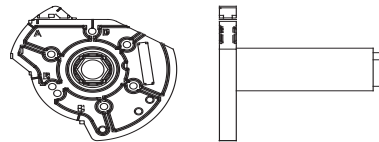
# Tower Panels

## Cams

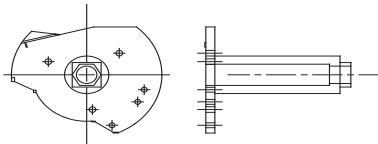
Ref.	Original Part No.	Substitute Part No.	Description
1	1609021		Arm, Cam, Tower Control Box
2	1609022		Cam, Long, ARAS. Any Tower
3	1609080		Cam, Guid. FG, Neutral Corridor
4	1609081		Cam, Safety, FG, Neutral Corridor
5	1609086		Cam, Stop Panel, T-Head
6	1609087		Cam, Long, A/R-Safety, T-Head. GFD
7	1609088		Cam Ass'y, ARAS, T-Head, GFD
8	1609089		Cam Ass'y, Safety/Guide, FG
9	1609090		Cam Ass'y, ARAS, T-Head
10	1609503		Cam Ass'y, Safety/Guide, FPLUS



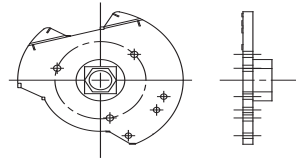
1609021 ARM, CAM, TOWER CONTROL BOX



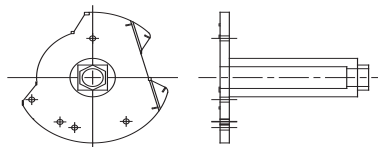
1609086 CAM, STOP PANEL, T-HEAD



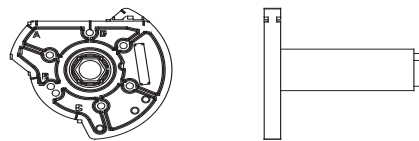
1609080 CAM, GUID., F.G., NEUTRAL CORRIDOR



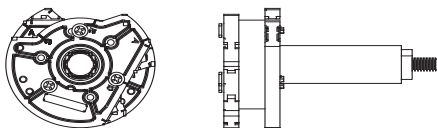
1609081 CAM, SAFTY, F.G., NEUTRAL CORRIDOR



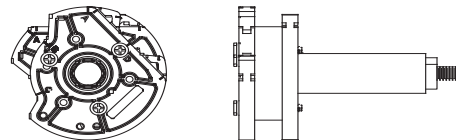
1609022 CAM, LONG, AUTO REV./STOP, ANY TWR.



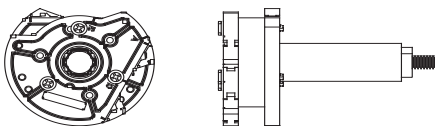
1609087 CAM, LONG, A/R-SAFETY, T-HEAD, GFD



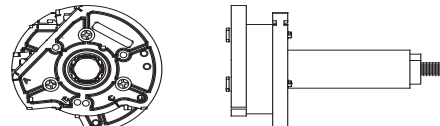
1609503 CAM ASS'Y, SAFETY/GUIDE, FPLUS, T-HEAD



1609088 CAM ASS'Y, ARAS, T-HEAD, GFD



1609089 CAM ASS'Y, SAFETY/GUIDE, FG, T-HEAD

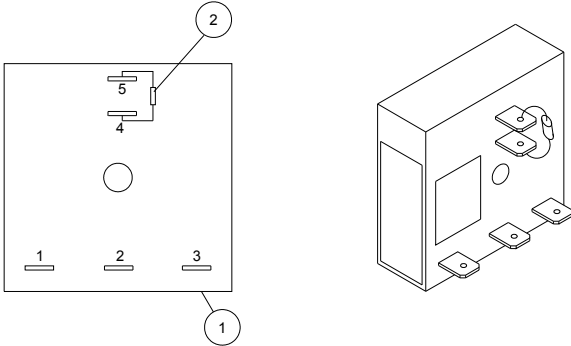


1609090 CAM ASS'Y, ARAS, T-HEAD



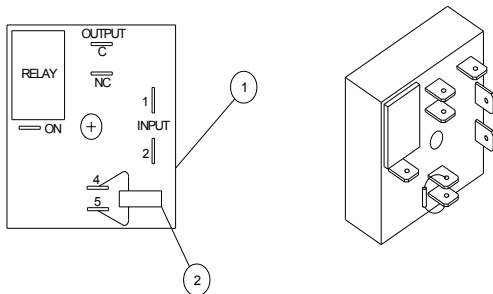
# Tower Panels

## Timer Assembly, 11-7940-7



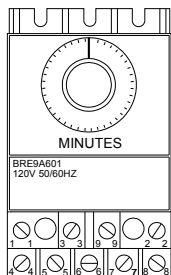
Ref.	Original Part No.	Substitute Part No.	Description
1	11-7937-3		Timer, SS, .2-10 Sec., N.C., CE
2	13-4238-0		Resistor, 33K, 1/4 Watt, 5%
3	11-7940-7		Timer Assembly, 3.3 Sec., N.C., CE

## Timer Assembly, 11-7941-5

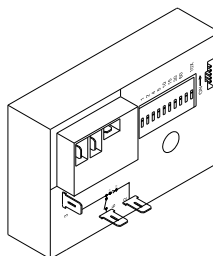


Ref.	Original Part No.	Substitute Part No.	Description
1	11-7938-1		Timer, SPDT, .2-10 Sec., 10A, CE
2	13-4744-0		Resistor, 51K, 1/4 Watt, 5%
3	11-7941-5		Timer Assembly, 5 Sec., SPDT, 10A, CE

## Timer Assemblies



11-4773-5  
TIMER, INTERVAL, 30 MINUTE RESET



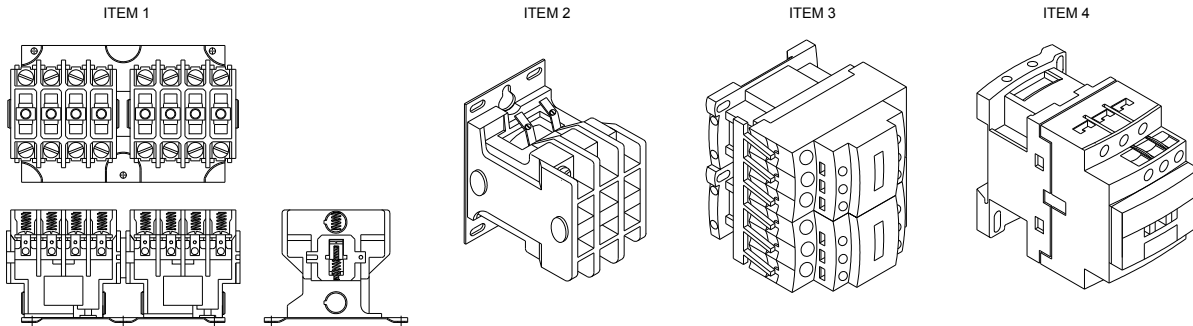
13-3567-0 TIMER, RELAY, 1-127M, STALL

Ref.	Original Part No.	Substitute Part No.	Description
1	11-4773-5		Timer, Interval, 30 Minute Reset
2	13-3567-0	1605892	Timer, Relay, 1-127M, Stall



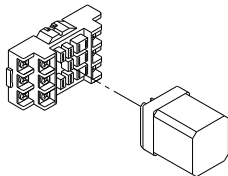
# Tower Panels

## Contactors

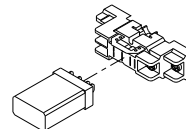


Ref.	Original Part No.	Substitute Part No.	Description
1	09-0864-0		Contactors, 4 Pole, Reverse, Interlock
2	09-0866-5		Contactors, 3 Pole, Tower Control
3	11-8921-0		Contactors, 3 Pole, Reverse, MI, w/AUX (System End)
4	14-8895-0		Kit, TB Contactor, Replacement
5	1608449		Contactors, 3 Pole, Reverse, 20HP @ 480 VAC (Main Panel)

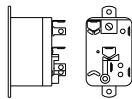
## Relays



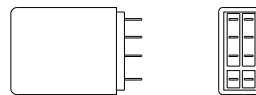
9-9182-8 SOCKET, 11 BLADE, SQ. DIN RAIL MNT. (B.P.)  
9-9245-3 RELAY, 3PDT, ENCLOSED, 120 VAC



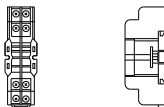
10-0061-1 SOCKET, RELAY, PLUG-IN, 5 BLADE, 300 VAC  
10-0060-3 RELAY, PLUG-IN, SING. PL/DBL. THROW



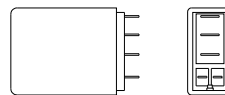
9-6812-3 RELAY, RBM #84-502-06-301



11-0015-5 RELAY, PLUG-IN, DBL. POLE DT, 120V



11-0016-3 SOCKET, RELAY, DPDT, 7AMP, 300V



14-8540-0 RELAY, 24VAC, SPDT, PLUG-IN

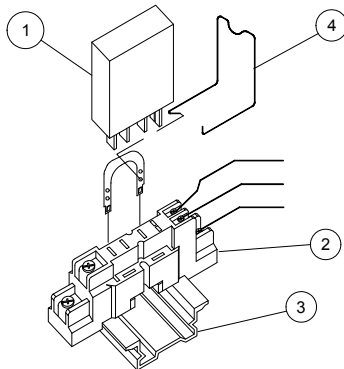
Ref.	Original Part No.	Substitute Part No.	Description
1	09-9182-8		Socket, 11 Blade, Sq, Din Rain Mt.
2	09-9245-3		Relay, 3PDT, Enclosed, 120 VAC
3	09-6812-3		Kit, Relay, RBM w/Adaptor
4	10-0060-3		Relay, Plug-In, SPDT

Ref.	Original Part No.	Substitute Part No.	Description
5	10-0061-1		Socket, Relay, Plug-In, 300V
6	11-0015-5		Socket, Relay, DPDT, 120V
7	11-0016-3		Socket, Relay, DPDT, 7 AMP, 300V
8	14-8540-0		Relay, 24VAC, SPDT, Plug-in



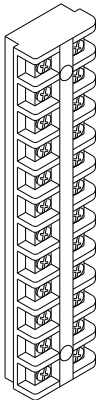
# Tower Panels

## Relay Assembly, RPM Replacement, 10-9380-6

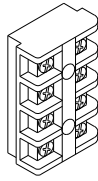


Ref.	Original Part No.	Substitute Part No.	Description
1	10-0060-3		Relay, Plug-In, Sing., PL/DBL.THRO
2	10-0061-1		Socket, Relay, Plug-In, 5 BL, 300 V
3	11-1788-6		Rail DIN, 2"
4	11-1797-7		Spring, Relay Retainer, SPDT

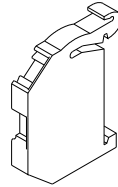
## Terminal Blocks



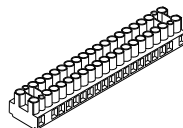
9-7602-7  
BLOCK, TERMINAL, 12 PT., #CR151B26AF



9-7604-3  
BLOCK, TERMINAL, 4 PT., #CR151B46AF



12-4620-0  
BLOCK, TERMINAL, ENDSTP. SCREWLS



11-0331-6  
BLOCK, TERM., 20PNT, #31F2442

Ref.	Original Part No.	Substitute Part No.	Description
1	09-7602-7		Block, Terminal, 12 Pt.
2	09-7604-3		Block, Terminal, 4 Pt.
3	11-0331-6		Block, Terminal, 20 Pt.
4	12-4620-0		Block, Terminal, Endstop, Screwless

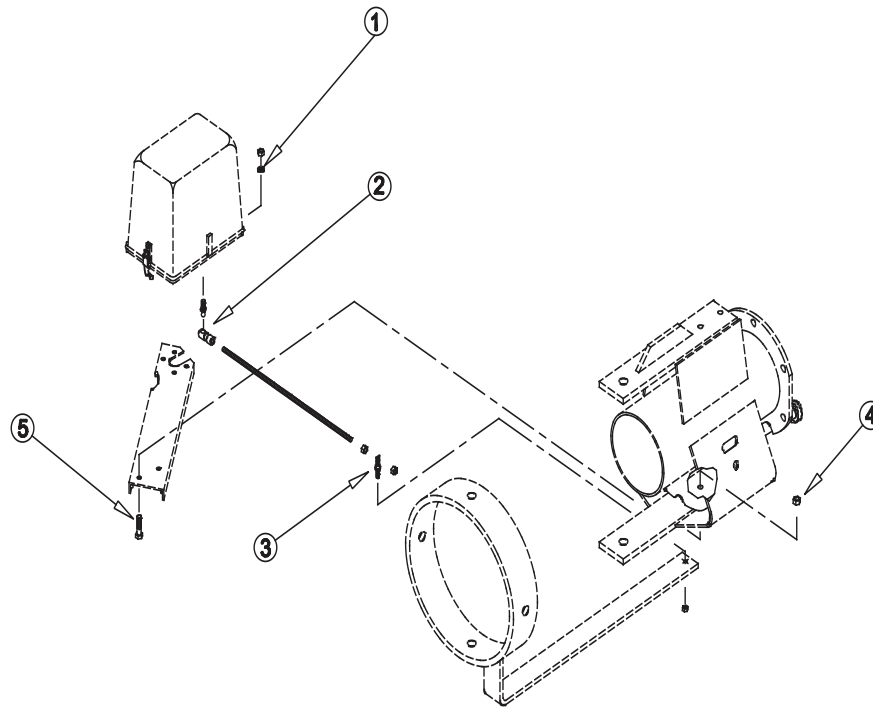
## Tower Panel Fuses

Ref.	Original Part No.	Substitute Part No.	Description
1	09-8924-4		Fuse, 500V, 4 Amp, D.E.T.D.
2	09-9064-8		Fuse, 500V, 5 Amp, D.E.T.D.
3	09-9091-1		Fuse, 500V, 5.6 Amp, D.E.T.D.
4	09-9141-4		Fuse, 500V, 3.2 Amp, D.E.T.D.
5	09-9291-7		Fuse, 500V, 1.5 Amp, D.E.T.D.
6	09-9292-5		Fuse, 500V, 2.25 Amp, D.E.T.D.
7	11-7489-5		Fuse, 500V, 10 Amp, D.E.T.D.
8	16-0003-5		Fuse, 500V, 15 Amp, D.E.T.D.



# Tower Panels

## Stainless Steel Tower Alignment Hardware Kit, 1609464



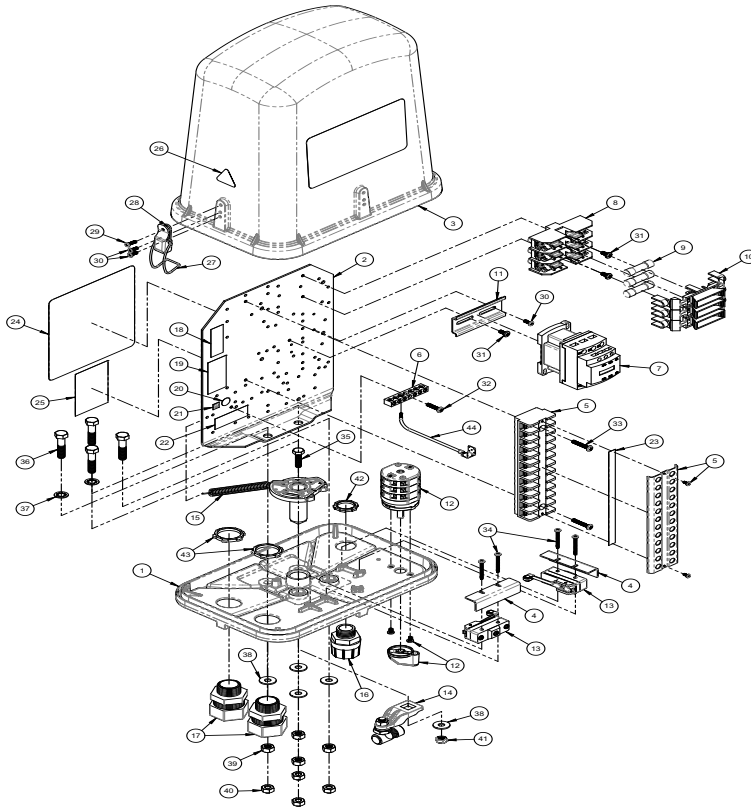
Ref.	Original Part No.	Substitute Part No.	Description
1	1324900		Washer, Lock, 5/16", SS, Helical
2	1161629		Joint, Ball, Quick Disconnect, SS
3	1161611		Joint A, Ball, Swiv., 1/4-28 x 3/4", SS
4	1212520		Nut, 3/8-16, Flange, SS
5	1194160		Screw, 3/8-16 x 1-1/2", Hex, SS



# Tower Panels

## CE Tower Panels (International Panels)

### Tower Control Panel, Std. 10 Wire, CE, 1173269



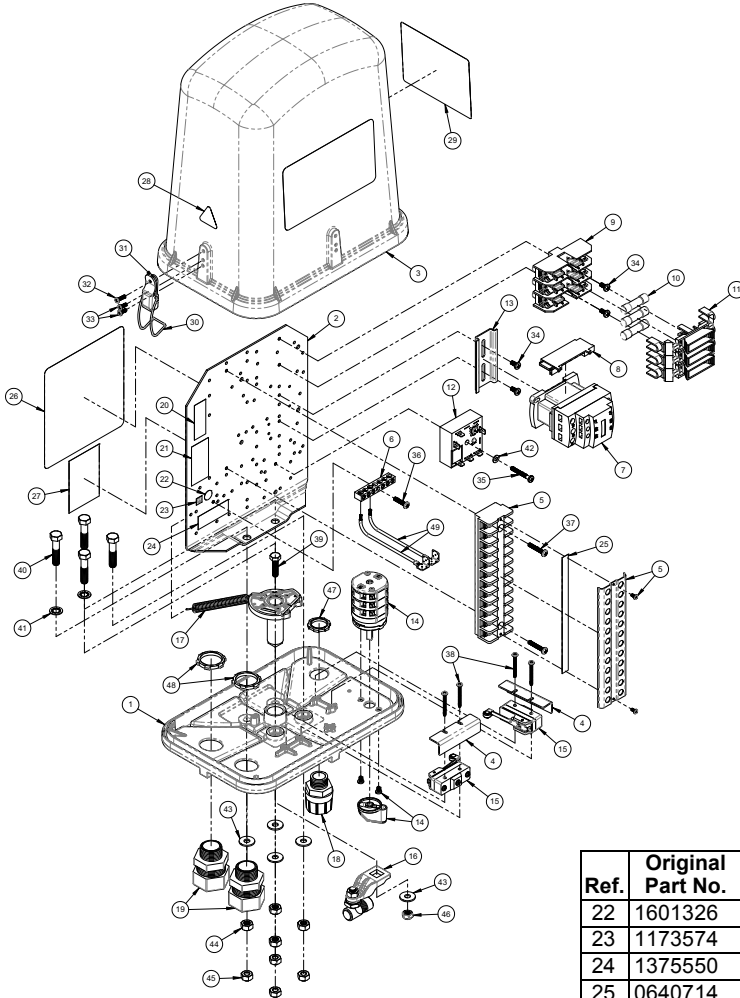
Ref.	Original Part No.	Substitute Part No.	Description
1	1601679		Base, Twr, Cont, Box, Gray, Switch
2	0340174		Plate, Starter Mount
3	1608384		Shield, Twr, Cont, Box, Gray, Hazrd
4	1173533		Shield, Microswitch, CE
5	0976027		Block, Term, 12PT, CR151B26AF
6	0976316	1610341	Bar, Gnd Term, 6-#14, 6-#8
7	1207430		Contact, Twr, 18A, NC, NO, CE
8	0989236		Fuseholder, 600V, 30A, 3 Pole
9	0990648		Fuse, 5 Amp, 500V, DETD
10	1173525		Cover, Fuseholder, CE
11	1174440		Rail, Din 3"
12	0988667		Switch, Rotary Pwr, 6 PST, 10A
13	0990309		Switch, Micro, SPDT, 15A, 120V
14	1609056		Ass'y. Cam Arm, Twr Pnl, Step Dwn
15	1609076		Ass'y, Cam, Twr Pnl, T-Head
16	1128354		Connector, 1/2" w/o Nut, .37-.5"
17	1128362		Connector, 3/4", w/o Nut, .6"-.7"
18	1190470		Decal, Term Torque, CE
19	0636621		Decal, Built Tested
20	1601326		Decal, Green/Yellow, PE
21	1173574		Decal, PE, Ground Symbol

Ref.	Original Part No.	Substitute Part No.	Description
22	1375550		Decal, Term Torque, Gnd Bar
23	0640714		Decal, Term Mk, STD, N-L, 10 Wire
24	1174333		Decal, NPLT, Twr, Ctrl, Std, CE
25	1174309		Decal, Comp. ID, Std, Twr Pnl, CE
26	1173541		Decal, Electric Shock, ISO/CE
27	0648220		Latch, Pull-Down, 3 Hole
28	1174291		Sleeve, Captive, Twr Box
29	0608562		Screw, #6-20x1/2", PH, PN HD,#25
30	0642348		Screw, #6-20x3/8", PH, PN HD, #25
31	0608471		Screw, #8-32x3/8", PH, PN HD,#23
32	0645531		Screw, #8-32x3/4", PH, PN HD, #23
33	0608505		Screw, #8-32x1", PH, PN HD, #23
34	1152438		Screw, #6-20x1-1/4", PH, PN HD
35	1184050		Screw, 1/4-20x1", Hex, FL HD, SS
36	0631465		Screw, 5/16-18x1-1/2, Hex
37	1135300		Washer, 5-1/6", Lock, In. Tooth
38	0608422		Washer, 1/4", Flat
39	0608224		Nut, 5/16-18, Hex
40	0602623		Nut, 5/16-18, Nylock
41	0642678		Nut, 1/4-20, Nylock
42	0991562		Nut, Conduit, 1/2", Lock
43	0991612		Nut, Conduit, 3/4", Lock
44	0346296		Termifoil Ass'y, CE



# Tower Panels

## Tower Control Panel, Next-Last, 10 Wire, CE, 1207520



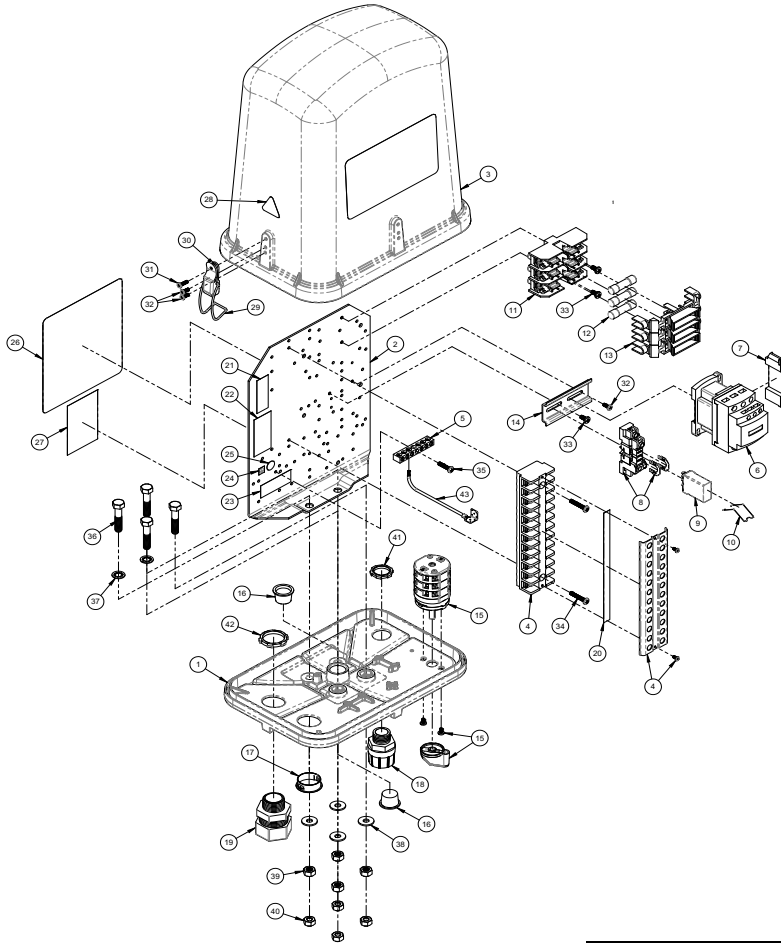
Ref.	Original Part No.	Substitute Part No.	Description
1	1601679		Base, Twr, Cont, Box, Gray, Switch
2	0340174		Plate, Starter Mount
3	1608384		Shield, Twr, Cont, Box, Gray, Hazrd
4	1173533		Shield, Microswitch, CE
5	0976027		Block, Term, 12PT, CR151B26AF
6	0976316	1610341	Bar, Gnd Term, 6-#14, 6-#8
7	1207430		Contact, Twr, 18A, NC, NO, CE
8	1207390		Snubber, RC, 110-250V, Snapin
9	0989236		Fuseholder, 600V, 30A, 3 Pole
10	0990648		Fuse, 5 Amp, 500V, DETD
11	1173525		Cover, Fuseholder, CE
12	1605892		Timer, Relay, .3 to 30 Min, Stall
13	1174440		Rail, Din 3"
14	0988667		Switch, Rotary Pwr, 6 PST, 10A
15	0990309		Switch, Micro, SPDT, 15A, 120V
16	1609056		Ass'y. Cam Arm, Twr Pnl, Step Dwn
17	1609076		Ass'y, Cam, Twr Pnl, T-Head
18	1128354		Connector, 1/2" w/o Nut, .37-.5"
19	1128362		Connector, 3/4", w/o Nut, .6"-.7"
20	1190470		Decal, Term Torque, CE
21	0636621		Decal, Built Tested

Ref.	Original Part No.	Substitute Part No.	Description
22	1601326		Decal, Green/Yellow, PE
23	1173574		Decal, PE, Ground Symbol
24	1375550		Decal, Term Torque, Gnd Bar
25	0640714		Decal, Term Mk, STD, N-L, 10 Wire
26	1207860		Decal, NPLT, NTL Twr Pnl, CE
27	1207870		Decal, Comp. ID, NTL, Twr Pnl, CE
28	1173541		Decal, Electric Shock, ISO/CE
29	1605929		Decal, Prod ID, NTL, 10Wire, CE
30	0648220		Latch, Pull-Down, 3 Hole
31	1174291		Sleeve, Captive, Twr Box
32	0608562		Screw, #6-20x1/2", PH, PN HD, #25
33	0642348		Screw, #6-20x3/8", PH, PN HD, #25
34	0608471		Screw, #8-32x3/8", PH, PN HD, #23
35	0639096		Screw, #8-32x1-1/4", PH, PN HD
36	0645531		Screw, #8-32x3/4", PH, PN HD, #23
37	0608505		Screw, #8-32x1", PH, PN HD, #23
38	1152438		Screw, #6-20x1-1/4", PH, PN HD
39	1184050		Screw, 1/4-20x1", Hex, FL HD, SS
40	0631465		Screw, 5/16-18x1-1/2", Hex
41	1135300		Washer, 5-1/6", Lock, In. Tooth
42	0639682		Washer, #8, Flat
43	0608422		Washer, 1/4", Flat
44	0608224		Nut, 5/16-18, Hex
45	0602623		Nut, 5/16-18, Nylock
46	0642678		Nut, 1/4-20, Nylock
47	0991562		Nut, Conduit, 1/2", Lock
48	0991612		Nut, Conduit, 3/4", Lock
49	0346296		Termifoil Ass'y, CE



# Tower Panels

## Tower Control Panel, Last, 10 Wire, CE, 1173285

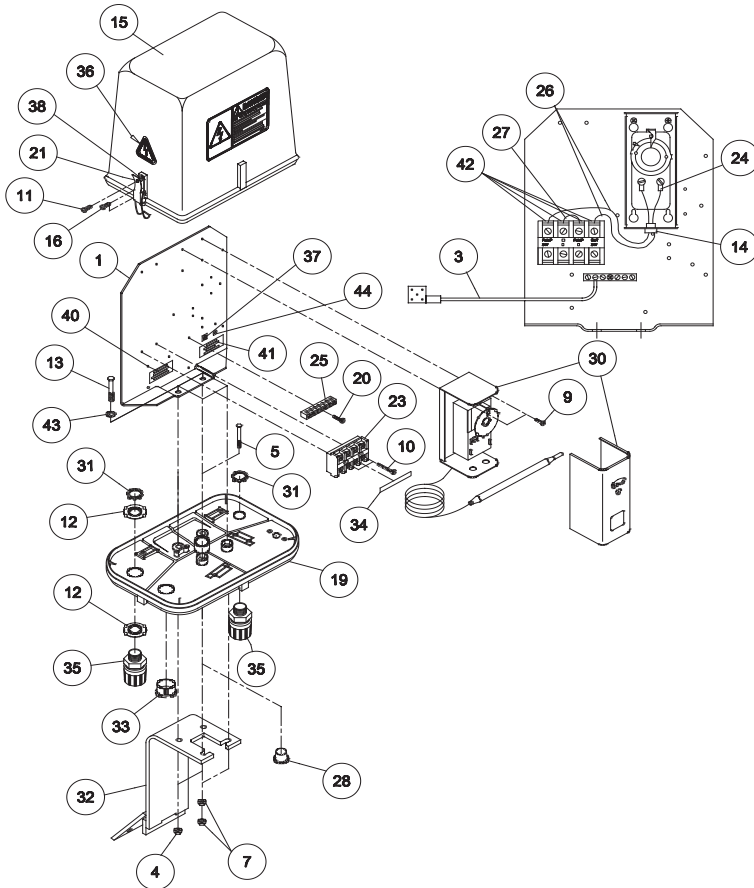


Ref.	Original Part No.	Substitute Part No.	Description	Ref.	Original Part No.	Substitute Part No.	Description
1	1601679		Base, Twr, Cont. Box, Gray, Switch	22	0636621		Decal, Built Tested
2	0340174		Plate, Starter Mount	23	1375550		Decal, Term Torque, Gnd Bar
3	1608384		Shield, Twr, Cont. Box, Gray, Hazrd	24	1173574		Decal, PE, Ground Symbol
4	0976027		Block, Term, 12PT, CR151B26AF	25	1601326		Decal, Green/Yellow, PE
5	0976316	1610341	Bar, Gnd Term, 6-#14, 6-#8	26	1174358		Decal, NPLT, Last, Twr, Pnl, CE
6	1207430		Contact, Twr, 18A, NC, NO, CE	27	1174325		Decal, Comp. ID, Last Twr, CE
7	1207390		Snubber, RC, 110-250V, Snapin	28	1173541		Decal, Electric Shock, ISO/CE
8	1000611		Socket, Relay, Retainer, Din, SPDT	29	0648220		Latch, Pull-Down, 3 Hole
9	1000603		Relay, Plug In, SPDT	30	1174291		Sleeve, Captive, Twr Box
10	1117977		Spring, Retainer, relay, SPDT	31	0608562		Screw, #6-20x1/2", PH, PN HD, #25
11	0989236		Fuseholder, 600V, 30A, 3 Pole	32	0642348		Screw, #6-20x3/8", PH, PN HD, #25
12	0990648		Fuse, 5 Amp, 500V, DETD	33	0608471		Screw, #8-32x3/8", PH, PN HD, #23
13	1173525		Cover, Fuseholder, CE	34	0608505		Screw, #8-32x1", PH, PN HD, #23
14	1174440		Rail, Din 3"	35	0645531		Screw, #8-32x3/4", PH, PN HD, #23
15	0988667		Switch, Rotary Pwr, 6 PST, 10A	36	0631465		Screw, 5/16-18x1-1/2, Hex
16	0990200		Plug, Caplug, #9X	37	1135300		Washer, 5-1/6", Lock, In. Tooth
17	0992974		Plug, Hole, 1-1/8", Nylon	38	0608422		Washer, 1/4", Flat
18	1128354		Connector, 1/2" w/o Nut, .37-.5"	39	0608224		Nut, 5/16-18, Hex
19	1128362		Connector, 3/4", w/o Nut, .6"-.7"	40	0602623		Nut, 5/16-18, Nylock
20	0640748		Decal, Term Marker, Last, 10 Wire	41	0991562		Nut, Conduit, 1/2", Lock
21	1190470		Decal, Term Torque, CE	42	0991612		Nut, Conduit, 3/4", Lock
				43	0346296		Termifoil Ass'y, CE



# Tower Panels

## Low Temperature Panel Assembly, CE, 1182401



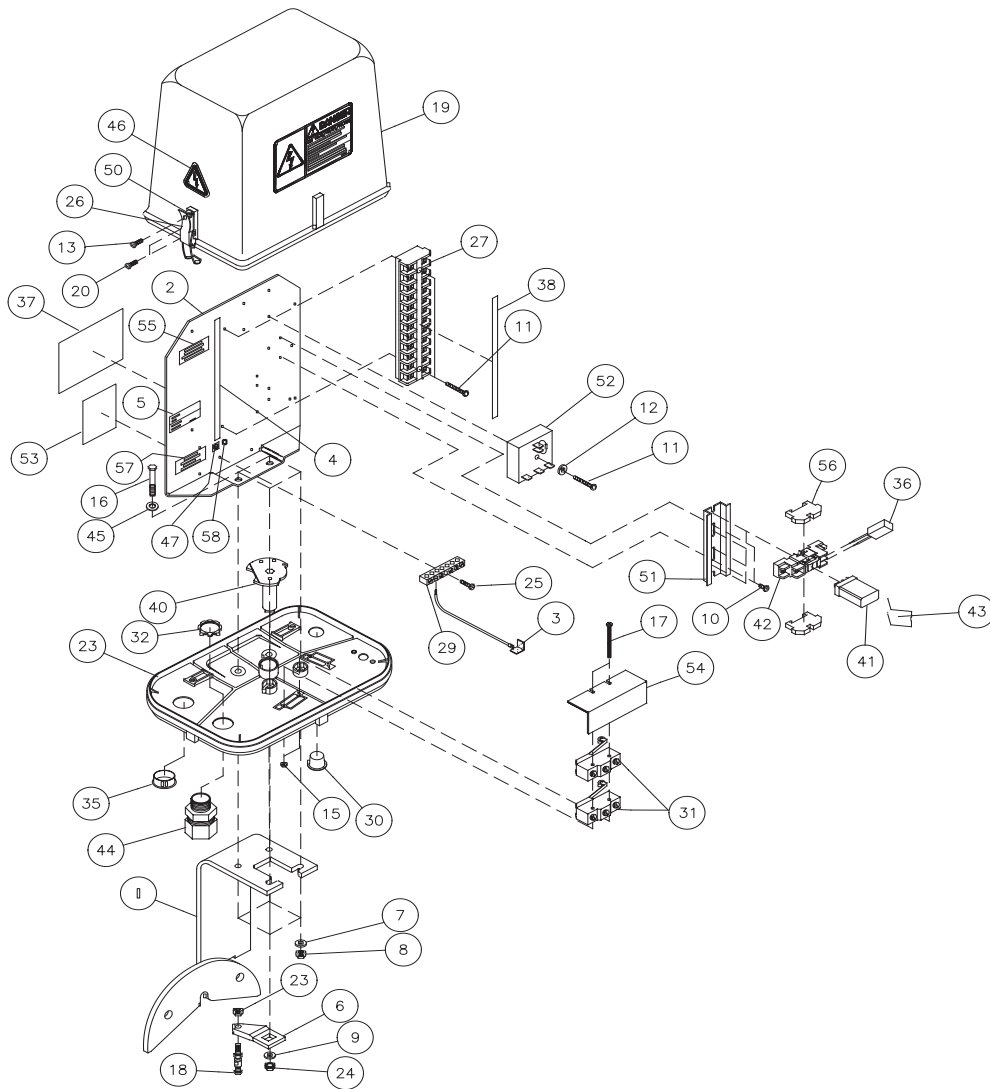
Ref.	Original Part No.	Substitute Part No.	Description
1	03-4017-4		Plate, Starter Mount
2	03-4027-3		Cable, Elect., 4# 14 x 7"
3	03-4629-6		Termifoil Assembly
4	06-0262-3		Nut, 5/16-18, Lock, Nylon Insert
5	06-0799-4		Screw, 1/4-20 x 2, Sl. Rnd. Head
6	06-0840-6		Bolt, 1/4-20 x 2-1/2", J
7	06-0841-4		Nut, 1/4-20, Hex
8	06-0842-2		Washer, Flat, 1/4"
9	06-0847-1		Screw, #8-32 x 3/8", Ph Pn Hd, #23
10	06-0850-5		Screw, #8-32 x 1", Ph. Pn. Hd, #23
11	06-0856-2		Screw, #6-20 x 1/2", Ph. Pn. Hd, #25
12	06-2158-1		Washer, Reduc., 3/4 x 1/2", Conduit
13	06-3146-5		Screw, 5/16-18 x 1-1/2", Hex, Gr. 5
14	06-3898-1		Grommet, Rubber, 5/8" ID x 1-1/8 OD
15	06-4208-2	1608384	Shield, Tower Box, Gray, 480 Decal
16	06-4234-8		Screw, #6-20 x 3/8", Ph.Pn.Hd., #25
17			
18			
19	06-4342-9	1601143	Base, Tower Control Box, Gray
20	06-4553-1		Screw, #8-32 x 3/4", Ph.Pn.Hd., #23
21	06-4822-0		Latch, Pull Down, 3 Hole
22	09-0839-2		Connector, 1/2" w/Nut, .37-.50 Dia.

Ref.	Original Part No.	Substitute Part No.	Description
23	09-7604-3		Block, Term., 4 Pt., #CR151B46AF
24	09-7608-4		Term., Wire, B, #16-14, Spade 8, Ins.
25	09-7631-6	1610341	Bar, Ground Terminal, 6-#14, 6-#8
26	09-8928-5		Wire, Electric, 16 TEW, Red
27	09-8929-3		Wire, Electric, 16 TEW, White
28	09-9020-0		Plug, Caplug, #9X
29	09-9033-3		Clamp, Tube, 3/8", Insulated
30	09-9034-1		Switch, Low Temperature
31	09-9156-2		Nut, Conduit, 1/2", Lock, Zn
32	10-0942-2		Mount, Weld, Transmitter Panel
33	10-9483-8		Bushing, Universal, 1-1/8
34	10-9484-6		Decal, Terminal Marker, LT
35	11-2835-4		Connector, 1/2" w/o Nut, .37-.50 Dia
36	11-7354-1		Decal, Electric Shock, ISO/CE
37	11-7357-4		Decal, Protective Earth (GRD)
38	11-7429-1		Sleeve, Captive, Tower Box
39	11-8241-9		Instructions, Low-Temp. Shutdown
40	11-9047-0		Decal, Terminal Torque, GE
41	13-7555-0		Decal, Terminal Torque, Groundbar
42	11-7397-0		Terminal, Tubular, 14 AWG
43	11-3530-0		Washer, Lock, 5/16", Int. Tooth
44	1601326		Decal, Green/Yellow, "PE"



# Tower Panels

## Auto Rev/Stop Control Panel, Any Tower, CE, 1182946





# Tower Panels

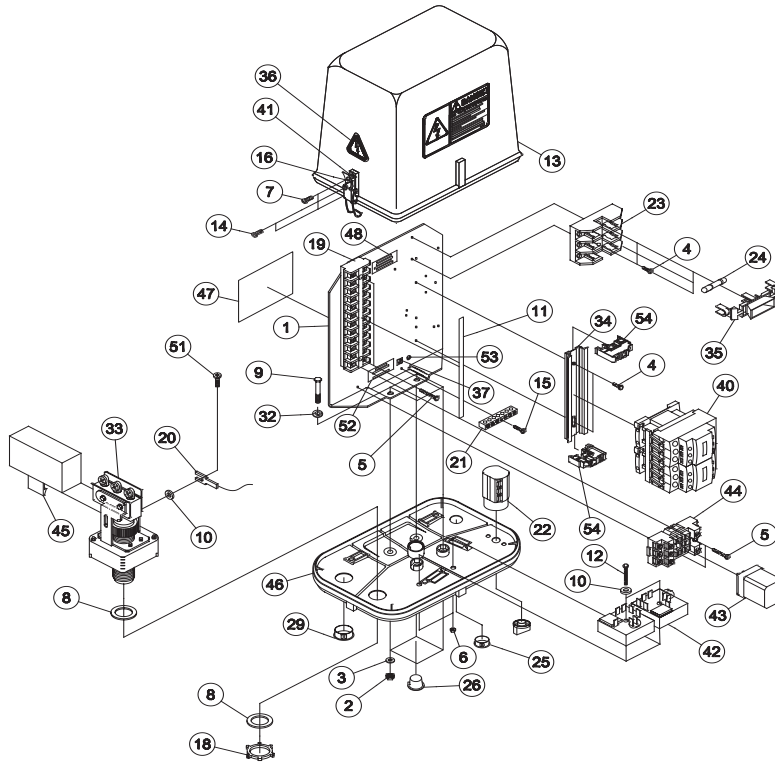
## Auto Rev/Stop Control Panel, Any Tower, CE, 1182946, continued

Ref.	Original Part No.	Substitute Part No.	Description	Ref.	Original Part No.	Substitute Part No.	Description
1	03-2822-9		Mount Weld., Twr. Box, Sq. Mount	32	09-9161-2		Nut, Conduit, 3/4", Lock
2	03-4017-4		Plate, Starter Mount	33			
3	03-4629-6		Termifoil Assembly, CE	34			
4	1609124		Decal, Term, Left Hand, ARAS	35	09-9297-4		Plug, Hole, 1-1/8" Nylon
5	0636621		Decal, Built Tested	36	09-9341-0		Suppressor, RC, 200 VDC, Mod. 2
6	1609021		Arm, Cam, Tower Control Box	37	10-0054-6		Decal, Nameplate, Auto-Rev/Stop
7	06-0812-5		Washer, Lock, 5/16"	38	10-0055-3		Decal, Term. Marker, Auto Rev/Stp
8	06-0822-4		Nut, 5/16"-18, Hex	39			
9	06-0842-2		Washer, Flat, 1/4"	40	1609090		Cam, Long, Auto Rev/Stop
10	06-0847-1		Screw,#8-32 x 3/8",Ph Pn Hd,#23	41	10-0060-3		Relay, Plug-In, SPDT
11	06-0850-5		Screw, #8-32 x 1", Ph. Pn. Hd, #23	42	10-0061-1		Socket, Relay, Plug-In, 300V
12	0639682		Washer, #8, Flat	43	11-1797-7		Spring, Relay Retainer, SPDT
13	06-0856-2		Screw, #6-20 x 1/2",Ph.Pn Hd,#25	44	11-2836-2		Connector, 3/4" w/o Nut, .6-.7" Dia.
14				45	11-3530-0		Washer, Lock, 5/16", Internal Tooth
15	06-2200-1		Nut, 6-32, Hex	46	11-7354-1		Decal, Electric Shock, ISO/CE
16	06-3146-5		Screw, 5/16-18 x 1-1/2", Hex, Gr. 5	47	11-7357-4		Decal, Protective Earth (GRD)
17	06-3758-7		Screw, #6-32 x 2", Sl. Pn. Hd.	48			
18	06-3910-4	1607512	Swivel, Set Screw, 1/4", 5/16" Rod	49			
19	06-4208-2	1608384	Shield, Tower Box, Gray,480 Decal	50	11-7429-1		Sleeve, Captive, Tower Box
20	06-4234-8		Screw, #6-20 x 3/8",Ph.Pn.Hd.,#25	51	11-7787-2		Rail, Din, 4"
21				52	11-7940-7		Timer Assembly, 3.3 Sec. N.C.CE
22				53	11-8211-2		Decal, Comp. ID, Auto-Rev/Stp,CE
23	0602409		Nut, 5/16-24, Hex, SS	54	11-8296-4		Shield, Micro-Switch, Dual, CE
24	06-4267-8	0602409	Nut, 1/4-20, Lock, Nylon Insert	55	11-9047-0		Decal, Terminal Torque, GE
25	06-4553-1		Screw, #8-32 x 3/4",Ph.Pn.Hd.,#23	56	12-4620-0		Block, Terminal,Endstp, Screwless
26	06-4822-0		Latch, Pull-Down, 3 Hole	57	13-7555-0		Decal,Terminal Torque,Groundbar
27	09-7602-7		Block,Term.,12 Pt.,#CR151B26AF	58	1601326		Decal, Green/Yellow, "PE"
28				59	09-9183-6		Connector, 3/4" w/Nut (Not shown)
29	09-7631-6	1610341	Bar, Ground Terminal, 6-#14, 6-#8				
30	09-8986-3		Plug, Hole,Nylon, 7/8, Heyco				
31	09-9030-9		Switch, Micro,SPDT,15A,120V				



# Tower Panels

## Booster Pump Control Panel, CE, 1179449



Fuse Size	GPM	L/M
10	130	492
15	200	757

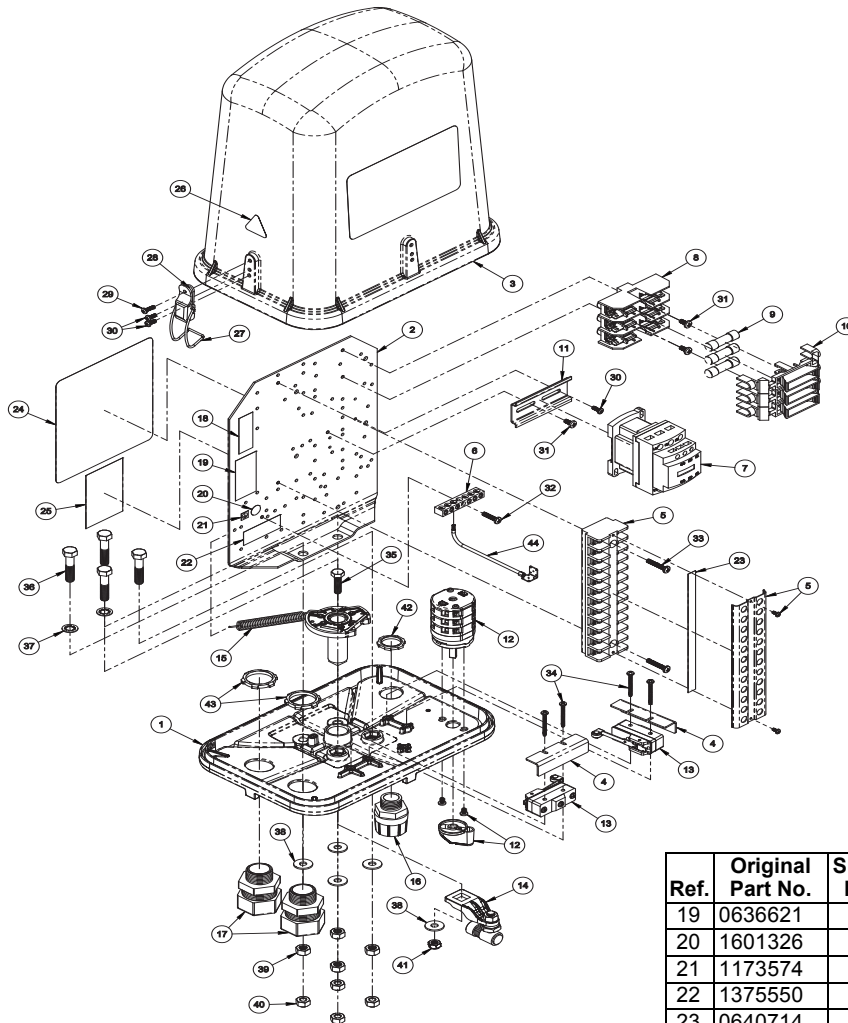
Ref.	Original Part No.	Substitute Part No.	Description
1	03-4017-4		Plate, Starter Mount
2	06-0822-4		Nut, 5/16-18, Hex
3	06-0842-2		Washer, Flat, 1/4"
4	06-0847-1		Screw, #8-32 x 3/8", Ph Pn Hd, #23
5	06-0850-5		Screw, #8-32 x 1", Ph. Pn. Hd., #23
6	06-0853-9		Nut, #8-32, Hex
7	06-0856-2		Screw, #6-20 x 1/2", Ph. Pn. Hd., #25
8	06-2158-1		Washer, Reducing, 3/4" x 1/2" Cond
9	06-3146-5		Screw, 5/16-18 x 1-1/2", Hex, Gr. 5
10	0639682		Washer, #8, Flat
11	06-3711-6		Decal, Term. Mkr, Boost.Pump Pnl
12	06-3909-6		Screw, #8-32 x 1-1/4", Ph Pn.Hd., #23
13	06-4208-2	1608384	Shield, Tower Box, Gray, 480 Decal
14	06-4234-8		Screw, #6-20 x 3/8", Ph.Pn.Hd., #25
15	06-4553-1		Screw, #8-32 x 3/4", Ph.Pn.Hd., #23
16	06-4822-0		Latch, Pull Down, 3 Hole
17			
18	09-9156-2		Nut, Conduit, 1/2", Lock
19	09-7602-7		Block, Term, 12Pt, #CR151B26AF
20	09-7608-4		Term., Wire, B, #16-14, Spade 8, Ins
21	09-7631-6	1610341	Bar, Ground Terminal, 6-#14, 6-#8
22	09-8866-7		Switch, Rotary Pwr, 6 PST, 10 AMP
23	09-8923-6		Fuse Holder/600V, 30A, 3 Pole
24	09-8969-9	16-0003-5	Fuse, 6 AMP, 500 Volt, D.E.T.D.
25	09-8986-3		Plug, Hole, Nylon, 7/8", Heyco
26	09-9020-0		Plug, Caplug, #9X
27			

Ref.	Original Part No.	Substitute Part No.	Description
28			
29	09-9297-4		Plug, Hole, 1-1/8" Nylon
30			
31			
32	11-3530-0		Washer, Lock, 5/16", Int. Tooth
33	11-3570-6	1608373	Switch, Pressure, 2-50, PSI, SPDT
34	11-6044-9		Rail, Din, 5.875"
35	11-7352-5		Cover, Fuseholder, CE
36	11-7354-1		Decal, Electric Shock, ISO/CE
37	11-7357-4		Decal, Protective Earth (GRD)
38			
39			
40	11-8921-0		Contactora, 3P, Rev. Intlock, w/Aux.
41	11-7429-1		Sleeve, Captive, Tower Box
42	1610339		Timer Assy, .5 Sec. SPDT, 10A, CE
43	11-7942-3		Relay, 3 PDT, Enclosed, 120V, CE
44	11-7943-1		Socket, 11 Blade, Sq. Din Rail Mt. CE
45	11-8080-1		Cover, Terminal, Pressure Switch
46	11-8280-7	1601679	Base, Booster, Pump Box, CE
47	1610359		Decal, Nameplate, B.P. Panel, CE
48	11-9047-0		Decal, Terminal Torque, GE
49			
50			
51	13-4355-0		Screw, #8-32, 1/4", Ph. Pn. Hd. #23
52	13-7555-0		Decal, Terminal Torque, Groundbar
53	1601326		Decal, Green/Yellow, "PE"
54	11-7467-1		Rail, Din, End Stop
55	16-0003-5		Fuse, 10A, 500V, D.E.T.D.



# Tower Panels

## Tower Control Panel, Standard, Advance Alignment, CE, 1494110



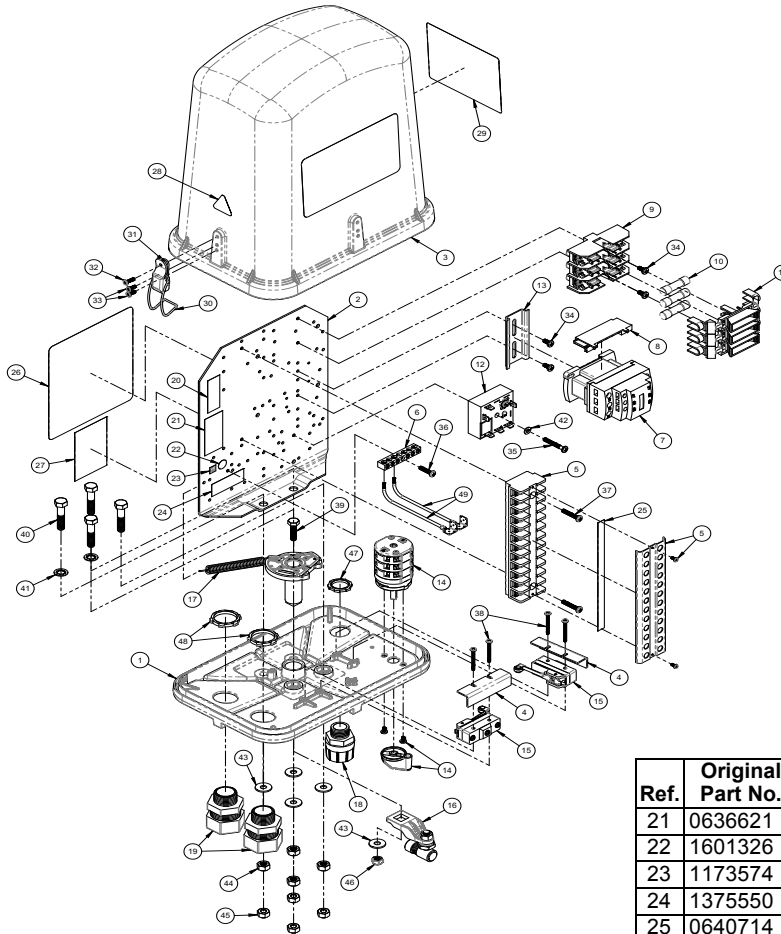
Ref.	Original Part No.	Substitute Part No.	Description
1	1601679		Base, Twr Cont Box, Gray, Switch
2	0340174		Plate, Starter Mount
3	1608384		Shield, Twr Cont Box, Gray, Hazrd
4	1173533		Shield, Microswitch, CE
5	0976027		Block, Term,12PT,CR151B26AF
6	0976316	1610341	Bar, Gnd Term, 6-#14, 6-#8
7	1207430		Contact, Twr, 18A, NC, NO, CE
8	0989236		Fuseholder, 600V, 30A, 3 Pole
9	0990648		Fuse, 5A, 500V, DETD
10	1173525		Cover, Fuseholder, CE
11	1174440		Rail, Din 3"
12	0988667		Switch, Rotary Pwr, 6 PST, 10A
13	0990309		Switch, Micro, SPDT, 15A, 120V
14	1609056		Ass'y. Cam Arm, Twr Pnl, Step Dwn
15	1609076		Ass'y, Cam, Twr Pnl, T-Head
16	1128354		Connector, 1/2" w/o Nut, .37-.5"
17	1128362		Connector, 3/4", w/o Nut, .6"-.7"
18	1190470		Decal, Term Block, Torque, CE

Ref.	Original Part No.	Substitute Part No.	Description
19	0636621		Decal, Built Tested
20	1601326		Decal, Green/Yellow, PE
21	1173574		Decal, PE, Ground Symbol
22	1375550		Decal, Term Torque, Gndbar
23	0640714		Decal, Term Mk, STD4N-L, 10 Wire
24	1174333		Decal, NPLT, Std Twr, CE
25	1174309		Decal, Comp. ID, Std Twr, CE
26	1173541		Decal, Electric Shock, ISO/CE
27	0648220		Latch, Pull-Down, 3 Hole
28	1174291		Sleeve, Captive, Twr Box
29	0608562		Screw, #6-20x1/2", PH, PN HD, #25
30	0642348		Screw, #6-20x3/8", PH, PN HD, #25
31	0608471		Screw, #8-32x3/8", PH, PN HD, #23
32	0645531		Screw, #8-32x3/4", PH, PN HD, #23
33	0608505		Screw, #8-32x1", PH, PN HD, #23
34	1152438		Screw, #6-20x1-1/4", PH, PN HD
35	1184050		Screw, 1/4-20x1", Hex, FL HD, SS
36	0631465		Screw, 5/16-18x1-1/2, Hex
37	1135300		Washer, 5-1/6", Lock, In. Tooth
38	0608422		Washer, 1/4", Flat
39	0608224		Nut, 5/16-18, Hex
40	0602623		Nut, 5/16-18, Nylock
41	0642678		Nut, 1/4-20, Nylock
42	0991562		Nut, Conduit, 1/2", Lock
43	0991612		Nut, Conduit, 3/4", Lock
44	0346296		Termfoil Ass'y, CE



# Tower Panels

## Tower Control Panel, Next-to-Last, Advance Alignment, CE, 1494120



Ref.	Original Part No.	Substitute Part No.	Description
1	1601679		Base, Twr Cont Box, Gray, Switch
2	0340174		Plate, Starter Mount
3	1608384		Shield, Twr Cont Box, Gray, Hazrd
4	1173533		Shield, Microswitch, CE
5	0976027		Block, Term, 12PT, CR151B26AF
6	0976316	1610341	Bar, Gnd Term, 6-#14, 6-#8
7	1207430		Contact, Twr, 18A, NC, NO, CE
8	1207390		Snubber, RC, 110-250V, Snapin
9	0989236		Fuseholder, 600V, 30A, 3 Pole
10	0990648		Fuse, 5A, 500V, DETD
11	1173525		Cover, Fuseholder, CE
12	1605892		Timer, Relay, .3 to 30 min, Stall
13	1174440		Rail, Din 3"
14	0988667		Switch, Rotary Pwr, 6 PST, 10A
15	0990309		Switch, Micro, SPDT, 15A, 120V
16	1609056		Ass'y. Cam Arm, Twr Pnl, Step Dwn
17	1609076		Ass'y, Cam, Twr Pnl, T-Head
18	1128354		Connector, 1/2" w/o Nut, .37-.5"
19	1128362		Connector, 3/4", w/o Nut, .6"-.7"
20	1190470		Decal, Term Block, Torque, CE

Ref.	Original Part No.	Substitute Part No.	Description
21	0636621		Decal, Built Tested
22	1601326		Decal, Green/Yellow, PE
23	1173574		Decal, PE, Ground Symbol
24	1375550		Decal, Term Torque, Gndbar
25	0640714		Decal, Term Mk, STD4N-L, 10 Wire
26	1207860		Decal, NPLT, NLT, Twr Pnl, CE
27	1207870		Decal, Comp. ID, NTL Twr, CE
28	1173541		Decal, Electric Shock, ISO/CE
29	1605981		Decal, Prod. ID, NTL, Adv Align, CE
30	0648220		Latch, Pull-Down, 3 Hole
31	1174291		Sleeve, Captive, Twr Box
32	0608562		Screw, #6-20x1/2", PH, PN HD, #25
33	0642348		Screw, #6-20x3/8", PH, PN HD, #25
34	0608471		Screw, #8-32x3/8", PH, PN HD, #23
35	0639096		Screw, #8-32x1-1/4", PH, PN HD
36	0645531		Screw, #8-32x3/4", PH, PN HD, #23
37	0608505		Screw, #8-32x1", PH, PN HD, #23
38	1152438		Screw, #6-20x1-1/4", PH, PN HD
39	1184050		Screw, 1/4-20x1", Hex, FL HD, SS
40	0631465		Screw, 5/16-18x1-1/2, Hex
41	1135300		Washer, 5-1/6", Lock, In. Tooth
42	0639682		Washer, #8, Flat
43	0608422		Washer, 1/4", Flat
44	0608224		Nut, 5/16-18, Hex
45	0602623		Nut, 5/16-18, Nylock
46	0642678		Nut, 1/4-20, Nylock
47	0991562		Nut, Conduit, 1/2", Lock
48	0991612		Nut, Conduit, 3/4", Lock
49	0346296		Termifoil Ass'y, CE



# Tower Panels

## Safety Decals, Tower Panel

Ref.	Original Part No.	Substitute Part No.	Description
1	06-3926-0		Decal, "Danger", Tower Panel
2	11-7357-4		Decal, P.E., Ground Symbol
3	11-9047-0		Decal, Terminal Torque, GE
4	11-7960-5		Decal, ETL
5	1601326		Decal, Green/Yellow, "PE"

## Table of Contents

2-Wheel Swivel, Diesel, Cart Assembly, 0132399 .....	M-5
Hose Fed Laterals .....	M-5
2-Wheel Swivel, Electric, Cart Assembly, 0136069 .....	M-6
Genset Frame 1172212 for all Diesel Power Carts .....	M-7
Fuel Line Assembly for All Diesel Powered Carts .....	M-7
Cord-Pull Ass'y, 2-Wheel Swivel .....	M-8
Riser with Nelson 800 Valve, 0132431 .....	M-9
Riser with Manual Valve, 0132423 .....	M-10
Swivel Mount 0133637 .....	M-11
2 Wheel, 4 Inlet, Diesel Cart Ass'y, 0133769 .....	M-12
2 Wheel, 4 Inlet, Electric Cart Ass'y, 0136077 .....	M-13
4 Wheel, Diesel, Cart Ass'y, 0129510 .....	M-14
4 Wheel, Electric, Cart Ass'y, 0131532 .....	M-15
Riser Ass'y, 4 Wheel Cart .....	M-16
All Hose Fed Cart Power Units .....	M-17
2-Wheel Hose Pull Main Panel Mount .....	M-18
4-Wheel Hose Pull Main Panel Mount .....	M-19
Hose Pull Auto-Stop Assembly .....	M-20
Hose Fed Intake, Hose Connections .....	M-21
2-Wheel Hose Fed, Swivel, 4" & 6" Inlet, 0123983 .....	M-21
2-Wheel Hose Fed, 4 Inlet, Hose Connections .....	M-22
4" Manifold, 0117515 .....	M-22
6" Manifold, 0117523 .....	M-22
4-Wheel Hose Fed, Hose Connections .....	M-23
4" Inlet, 0131722 .....	M-23
6" Inlet, 0129528 .....	M-23
8" Inlet, 0129536 .....	M-23
Hose Assemblies .....	M-24
4-1/2" Rubber Hose with couplers, for 4" Inlets, 0115865 .....	M-24
4-3/4" Hard Hose 0116871, and Couplers for 4" Inlets, 0116889 .....	M-24
5.9" Hard Hose 017010, and Couplers for 6" Inlets, 0117333 .....	M-24
8" Hard Hose 0129502, and Couplers for 8" Inlets, 0129494 .....	M-24
6" Soft Hose Manifold, 0138073 .....	M-25
Buried Wire Guidance, Guidance Panel Mount, Hose Fed Cart or Guidance Tower .....	M-26
Buried Wire Guidance, Antenna Panel Mount, Hose & Ditch Fed Systems .....	M-27
Above Ground Wire Guidance, Mounting, Hose Fed .....	M-28
Above Ground Wire Guidance, Cable Assembly, Hose and Ditch Fed Systems .....	M-29
2-Wheel Cart Furrow Guidance, Hose Fed, 0133991 .....	M-30

## Table of Contents

4-Wheel Cart Furrow Guidance, Hose Fed, 0134106 .....	M-31
Joint Assemblies, Hose Fed Carts .....	M-32
Center and Off Center Carts, 6-5/8", 0119123 .....	M-32
Center and Off Center Carts, Reduction, 6-5/8" to 5-9/16", 0121467 .....	M-33
End Fed Carts, 6-5/8", 2-Wheel Hose Fed, 0132407 .....	M-34
End Fed Carts, 8" and 8-5/8", 4-Wheel Hose Fed, 0129478 .....	M-35
End Fed Carts, 6-5/8", 4-Wheel Hose Fed, 0129486 .....	M-36
Drive Assemblies, Hose Fed Carts .....	M-37
2-Wheel Swivel, 0136069, 0132399, 0132464 .....	M-37
2-Wheel, 4 Inlet, 0136077, 0133769, 0134569 .....	M-38
4-Wheel, 0131532, 0129510 .....	M-39
Hose Fed Options .....	M-40
Pivoting Platform .....	M-40
Free-Wheel Hub, 0637314 .....	M-41
Ditch Fed Laterals .....	M-42
Transverse Lateral Cart, Frame .....	M-42
Transverse Lateral Cart, Fuel Tank .....	M-43
Transverse Lateral Cart, Drive Unit .....	M-44
Transverse Lateral Cart, Standard Cart Tower .....	M-45
Transverse Lateral Cart, High-Clearance Cart Tower .....	M-46
Riser Assembly, 10", Ditch Fed .....	M-47
Riser Assembly, 8-5/8", Ditch Fed .....	M-48
Riser Assembly, 6-5/8" to 8-5/8", Transition, Ditch Fed .....	M-49
Riser Assembly, 5-9/16" to 8-5/8", Transition, Ditch Fed .....	M-50
High Clearance Riser Extension, 0184270 (10") & 0184260 (8-5/8"), Ditch Fed .....	M-51
Transverse Cart, Ditch Fed Power Units .....	M-52
In-Line Cart, Ditch Fed Power Units .....	M-52
Pump Isolators, Transverse Ditch Fed Cart Only .....	M-53
Engine Mounting, Transverse Ditch Fed Cart Only .....	M-54
Main Mounting, Transverse Ditch Fed Cart Only .....	M-55
Barricade Assembly, All Laterals .....	M-56
In-Line Ditch Fed Cart 0118828, Frame .....	M-57
In-Line Ditch Fed Cart 0118828, Tower .....	M-58
In-Line Ditch Fed Cart 0118828, Fuel Tank .....	M-59
In-Line Ditch Fed Cart, Riser .....	M-60
In-Line Ditch Fed Cart, Main Panel Mount .....	M-61
In-Line Ditch Fed Cart, Electrical Primer .....	M-62
In-Line Ditch Fed Cart, Hand Primer .....	M-63
Transverse Ditch Fed Cart, Intake, Reducers .....	M-64
Transverse Ditch Fed Cart, Intake, Shackle Support .....	M-65

## Table of Contents

Transverse Ditch Fed Cart, Intake, Priming Pump .....	M-66
Transverse Ditch Fed Cart, Active Screen, 14" Intake, 0182450 .....	M-67
Transverse Ditch Fed Cart, Dual Active Screen, 12" Intake, 0182440 ...	M-72
Transverse Ditch Fed Cart, Single Active Screen, 12" Intake, 0182430	M-72
Transverse Ditch Fed Cart, All Intakes, Booster Pump Assembly .....	M-79
Transverse Ditch Fed Cart, Dual Fixed Screen, 12" Intake, 0182420 ....	M-80
Transverse Ditch Fed Cart, Single Fixed Screen, 12" Intake, 0182410 .	M-80
In-Line Ditch Fed Cart, Intake Derrick.....	M-82
In-Line Ditch Fed Cart, Intake Pipe .....	M-83
In-Line Ditch Fed Cart, Suction Screen, Concrete, 0121087 .....	M-84
In-Line Ditch Fed Cart, Suction Screen, Concrete Weir, 0121194 .....	M-85
In-Line Ditch Fed Cart, Suction Screen, Earthen Ditch, 0121210 .....	M-86
In-Line Ditch Fed Cart, Rotary Screen, Concrete, 0121186.....	M-87
In-Line Ditch Fed Cart, Rotary Screen, Concrete, Weir, 0121202 .....	M-88
In-Line Ditch Fed Cart, Rotary Screen, Earthen Ditch, 0121228.....	M-89
In-Line Ditch Fed Cart, Rotary Screen Ass'y, 0357798 & 0359034 .....	M-90
In-Line Ditch Fed Cart, Weir Ass'y, 0353334 .....	M-92
Ditch Fed Cart, System Guidance .....	M-93
Buried Wire Guidance Antenna, Transverse Cart Mounted .....	M-93
Buried Wire Guidance Junction Box, Cart Mounted .....	M-94
Buried Wire Guidance Panel, Cart Mounted .....	M-95
Above Ground Guidance Panel, Transverse Cart Mounted .....	M-96
Above Ground Guidance Panel, In-Line Cart Mounted .....	M-97
Intake Spans, All Lateral Systems.....	M-98
Truss Rod, Intake Span, 1602129 .....	M-98
Intake Span Pipes.....	M-98
Intake Span, Pivot End Joints .....	M-99
Ditch Fed Intake Stabilizer.....	M-99
Ditch Fed Intake Stabilizer, con't .....	M-100
Twist Safety .....	M-101
Lateral Tower Joints .....	M-102
Cart Joint, Center & Off-Center, 10" with Shutoff, 0182720 .....	M-102
Cart Joint, Center & Off-Center, 10" without Shutoff, 0182730.....	M-103
Cart Joint, Center & Off-Center, 10" to 8-5/8" Tee with Shutoff, 0184210 .....	M-104
Cart Joint, Center & Off-Center, 10" to 8-5/8" Tee without Shutoff, 0184220 .....	M-105
Cart Joint, Center & Off-Center, 8-5/8" with Shutoff, 0181810 .....	M-106
Cart Joint, Center & Off-Center, 8-5/8" without Shutoff, 0181800 .....	M-107
Cart Joint, Center & Off-Center, 8" with Shutoff & 8-5/8" to 8" Reduction, 0119602 .....	M-108

## Table of Contents

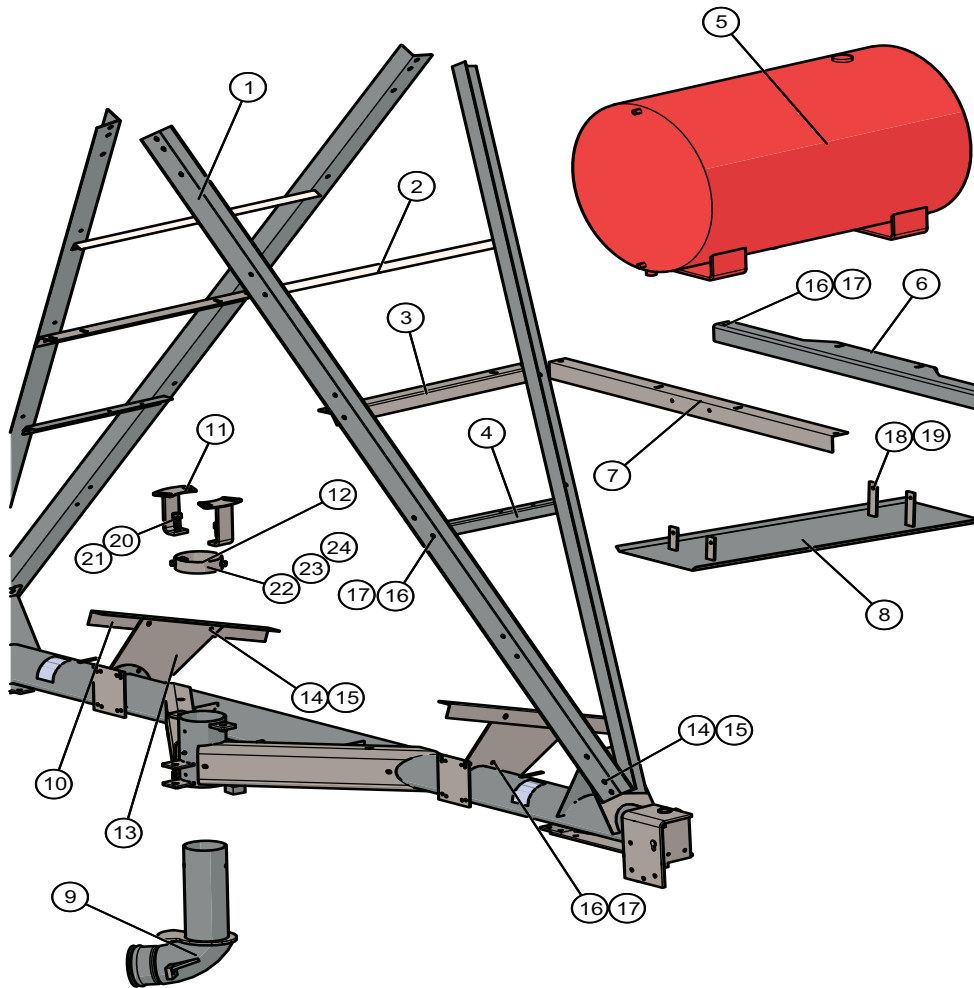
Cart Joint, Center & Off-Center, 8" without Shutoff & 8-5/8" to 8" Reduction, 0120840 .....	M-109
Cart Joint, Center & Off-Center, 6-5/8" with Shutoff, 0119974 .....	M-110
Cart Joint, Center & Off-Center, 6-5/8" without Shutoff, 0120857 .....	M-111
Cart Joint, Center & Off-Center, Reduction, 8-5/8" & 8" to 6-5/8" with Shutoff, 0121426 .....	M-112
Cart Joint, Center & Off-Center, Reduction, 8-5/8" & 8" to 6-5/8" without Shutoff, 0121418 .....	M-113
Cart Joint, End Fed, 10", Ditch Fed Only, 0182710 .....	M-114
Cart Joint, End Fed, 8-5/8" & 8", Ditch Fed Only, 0120832 .....	M-115
Cart Joint, End Fed, 6-5/8", Ditch Fed Only, 0120824 .....	M-116
Tower Joint, Standard 10", 0155050 .....	M-117
Tower Joint, Standard 8-5/8", 0180660 .....	M-118
Tower Joint, Standard 8", 0118943 .....	M-119
Tower Joint, Standard 6-5/8", 0118950 .....	M-120
Tower Joint, Standard 5-9/16", 0118968 .....	M-121
Tower Joint, Reduction, 10" to 8-5/8", 0182700 .....	M-122
Tower Joint, Transition, 10" to 8-5/8", 0182760 .....	M-123
Tower Joint, Reduction, 10" to 8", 0155060 .....	M-124
Tower Joint, Transition, 10" to 8", 0183260 .....	M-125
Tower Joint, Reduction, 8-5/8" to 8", 0180740 .....	M-126
Tower Joint, Reduction, 8-5/8" to 6-5/8", 0180670 .....	M-127
Tower Joint, Transition, 8-5/8" to 6-5/8", 0180680 .....	M-128
Tower Joint, Reduction, 8" to 6-5/8", 0118927 .....	M-129
Tower Joint, Transition, 8" to 6-5/8", 0118976 .....	M-130
Tower Joint, Reduction, 6-5/8" to 5-9/16", 0118935 .....	M-131
Tower Joint, Transition, 6-5/8" to 5-9/16", 0118984 .....	M-132
Tower Control, Standard, 0113563 .....	M-133
Tower Control, Next-to-Last, 0113589 .....	M-134
Tower Control, Next-to-Last, CE, 0154460 .....	M-135
Wire Alignment Cables .....	M-136
Lateral Towers .....	M-137
Winch Assemblies .....	M-138
Winch Assembly, Electric, End Fed, 0183230 .....	M-138
Winch Assembly, Manual, End Fed, 0183220 .....	M-139
Winch Assembly, Manual, Center / Off Center Cart .....	M-140
Winch Assembly, Electric, Center / Off Center Cart .....	M-141



# M-Lateral Systems

## Hose Fed Laterals

### 2-Wheel Swivel, Diesel, Cart Assembly, 0132399



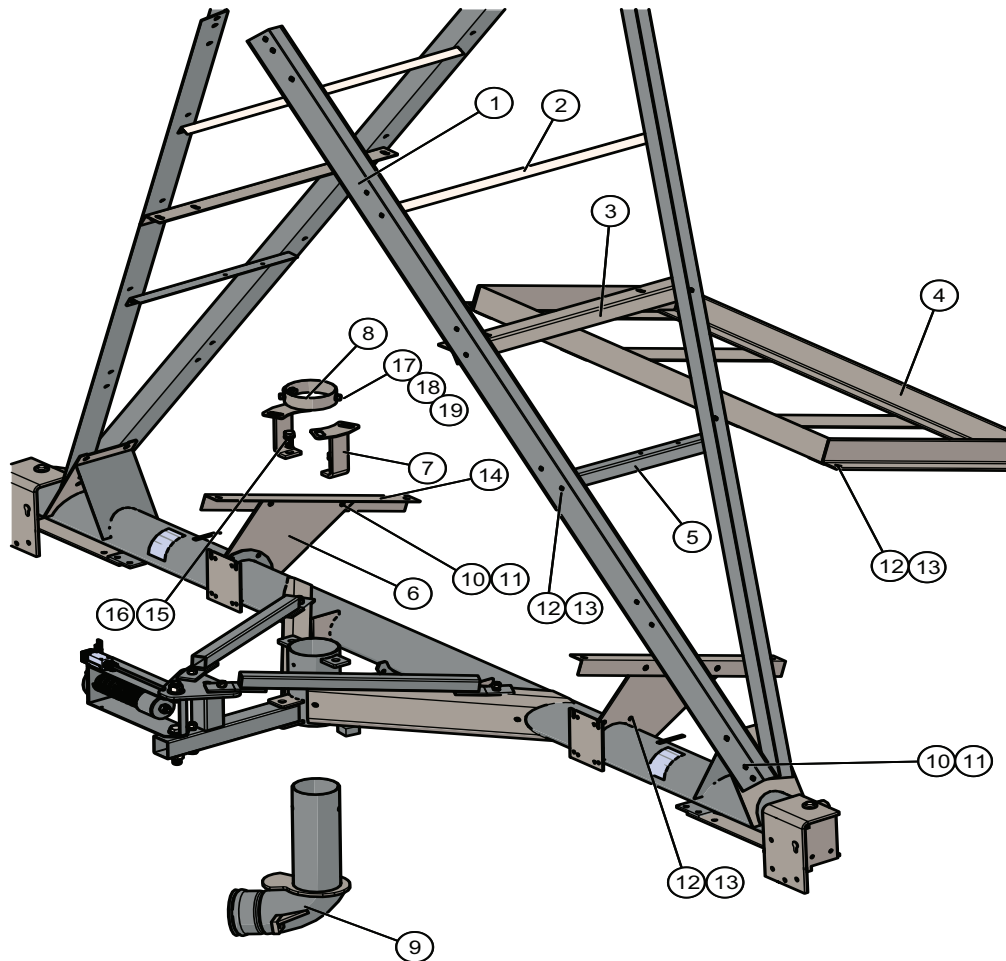
Ref.	Original Part No.	Description
1	0367417	Tower Leg Angle
2	0323444	Tie, Tower Angle, 1st
3	1610288	Tie, Tower Angle, Stabilizer
4	1123546	Tie, Tower Angle, Last
5	0633271	Fuel Tank, 15 gal, Hose Pull
6	1610287	Support Angle, Fuel Tank
7	1123504	Support Angle, Fuel Tank
8	1123637	Drip Pan, Diesel Hose Pull
9	1123322	Lower Elbow, Riser, 6-5/8"
10	1124932	Angle, Genset Mount
11	1123298	Bracket, Coupler
12	1123389	Retaining Ring, Swivel
13	1123462	Mount, Genset Frame
14	0608398	Screw, 5/8-11 x 1-1/2", Hex

Ref.	Original Part No.	Description
15	0624163	Nut, 5/8-11, Lock
16	0608042	Screw, 1/2-13 x 1-1/4", Hex
17	0624189	Nut, 1/2-13, Lock
18	1123504	Screw, 3/8-16 x 1", Hex
19	1027705	Nut, 3/8-16, Lock
20	0608091	Screw, 3/4-10 x 2", Hex
21	0624171	Nut, 3/4-10, Lock
22	0608208	Washer, 1/2", Rubber Seal
23	0608240	Nut, 1/2-13, Hex
24	0619403	Screw, 1/2-13 x 1", Hex
25	1172212	Genset Frame (not shown)
26	0602508	Washer, 3/8", Flat, (not shown)



# M-Lateral Systems

## 2-Wheel Swivel, Electric, Cart Assembly, 0136069



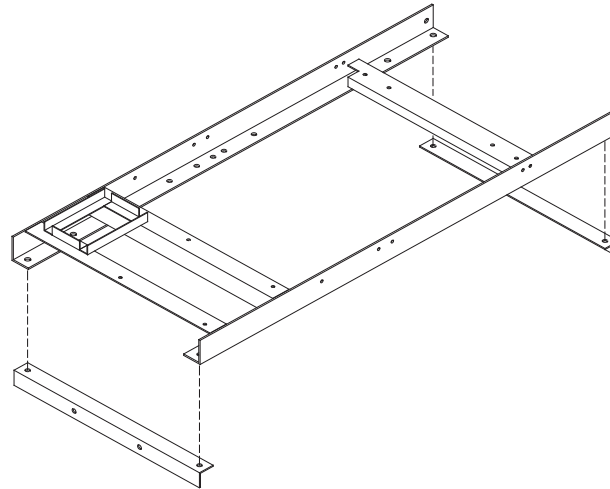
Ref.	Original Part No.	Description
1	0367417	Tower Leg Angle
2	0323444	Tie, Tower Angle, 1st
3	1610288	Tie, Tower Angle, Stabilizer
4	1129071	Frame, Auxiliary Weight
5	1123546	Tie, Tower Angle, Last
6	1123462	Mount, Genset Frame
7	1123298	Bracket, Coupler
8	1123389	Retaining Ring, Swivel
9	1123322	Lower Elbow, Riser, 6-5/8"
10	0608398	Screw, 5/8-11 x 1-1/2", Hex

Ref.	Original Part No.	Description
11	0624163	Nut, 5/8-11, Lock
12	0608042	Screw, 1/2-13 x 1-1/4", Hex
13	0624189	Nut, 1/2-13, Lock
14	1124932	Angle, Genset Mount
15	0608091	Screw, 3/4-10 x 2", Hex
16	0624171	Nut, 3/4-10, Lock
17	0608208	Washer, 1/2", Rubber Seal
18	0608240	Nut, 1/2-13, Hex
19	0619403	Screw, 1/2-13 x 1", Hex

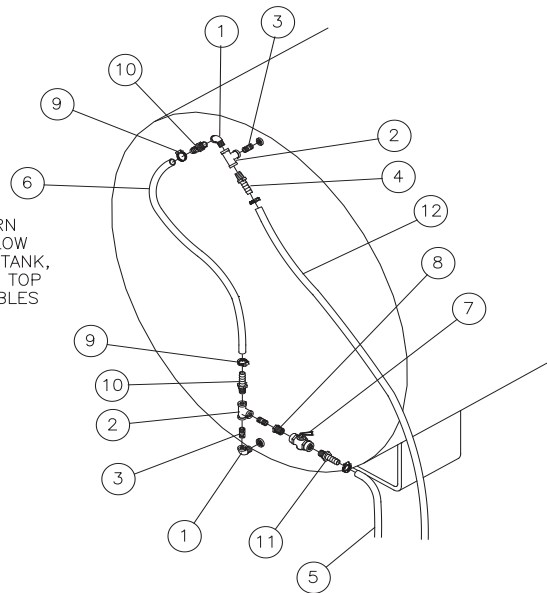


# M-Lateral Systems

**Genset Frame 1172212  
for all Diesel Power  
Carts**



**Fuel Line Assembly for  
All Diesel Powered  
Carts**



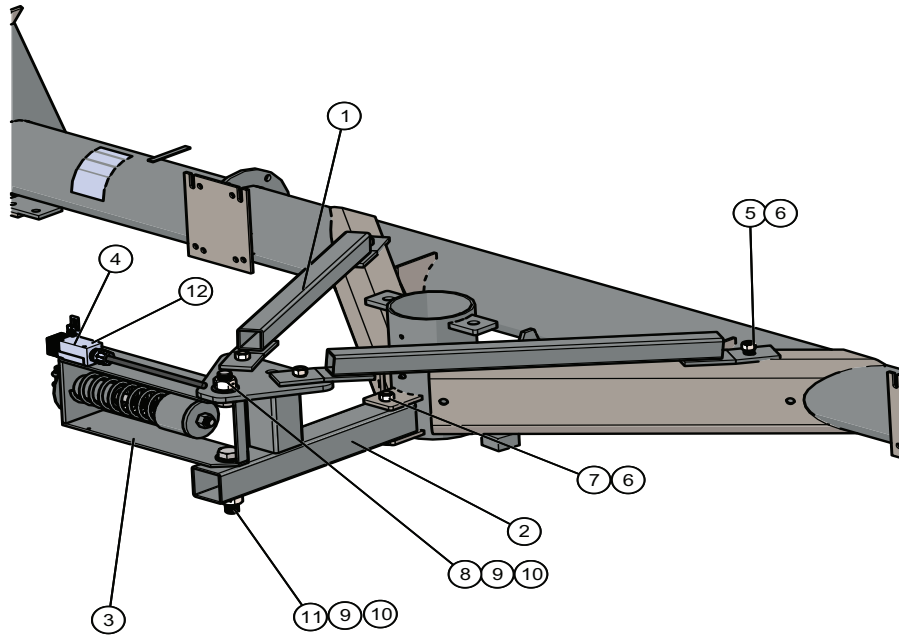
**NOTE:** TIP FUEL RETURN LINE AS SHOWN TO ALLOW FUEL TO RETURN INTO TANK, NOTE SIGHT TUBE (SEE TOP TEE.) RETURNING BUBBLES MAY CAUSE LEAN-OUT AND LOSS OF POWER.

Ref.	Original Part No.	Description
1	0606483	Elbow, Street, 1/4-" x 90 degree
2	0606491	Tee, Pipe, 1/4"
3	0626275	Nipple, Pipe, 1/4" x Close
4	0632364	Adaptor, Hose, 1/4" MNPT x Barb
5	0633230	Hose, Fuel, 3/8" ID, ANCO #1491
6	0633255	Hose, 3/8" ID, Clear
7	0633297	Valve, 2-Way, 3/8", FNPT, Manual
8	0634048	Bushing, Hex, 3/8" x 1/4"
9	0634261	Clamp, Hose, Worm, Size 6
10	2610764	Adaptor, 1/4" MNPT x 3/8" Barb
11	2611739	Adaptor, 3/8" MNPT x 3/8" Barb
12	9720350	Hose, Fuel, 1/4" ID



# M-Lateral Systems

## Cord-Pull Ass'y, 2-Wheel Swivel

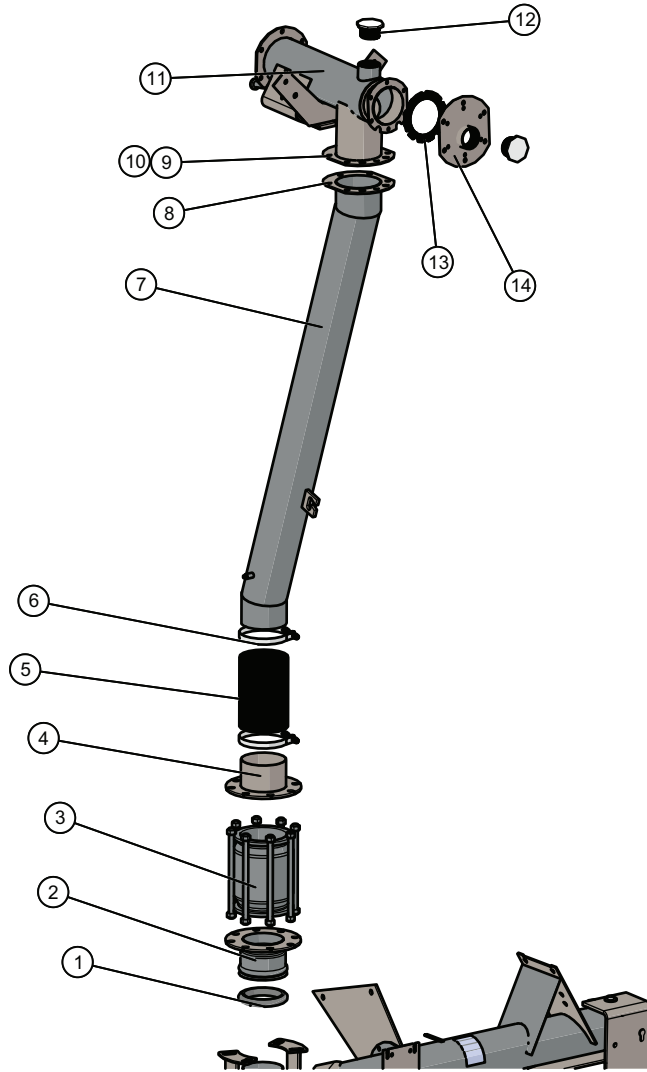


Ref.	Original Part No.	Description
1	1141506	Brace, Trip Ass'y
2	1141555	Standoff, Mount, Trip Ass'y
3	0349522	Trip Ass'y, Cord Pull
4	0376046	Limit Switch, Roller Actuator
5	1028000	Screw, 3/4-10 x 1-5/8", Hex
6	0624171	Nut, 3/4-10, Lock
7	0640078	Screw, 3/4-10 x 4-1/2", Hex
8	0621383	Screw, 1-8 x 2-1/2", Hex
9	0624296	Nut, 1-8, Lock
10	1028752	Washer, 1", Flat
11	0639658	Screw, 1-8 x 5-1/2", Hex
12	0632711	Screw, #10-24 x 2", Hex



# M-Lateral Systems

## Riser with Nelson 800 Valve, 0132431



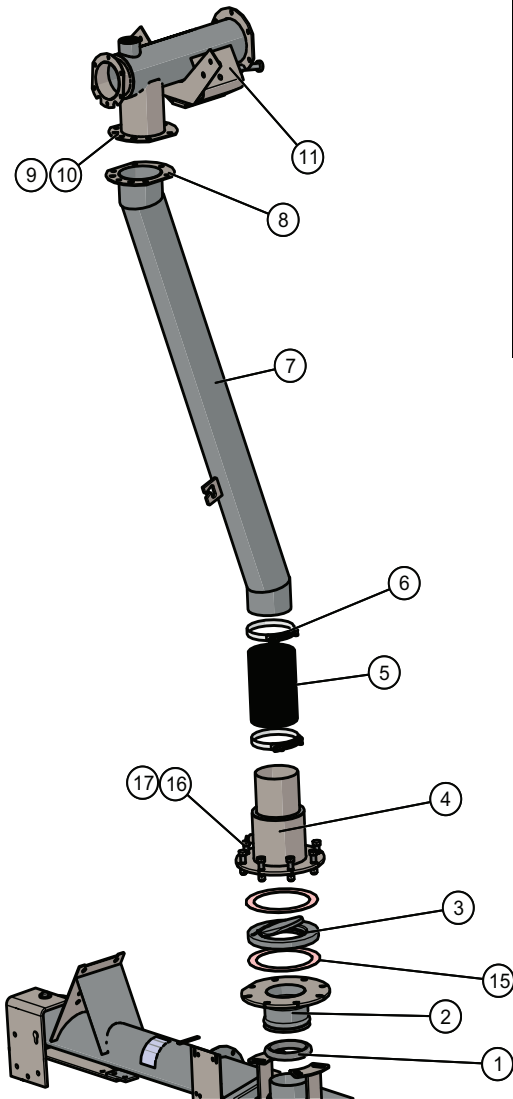
Ref.	Original Part No.	Description
1	6610604	Gasket, Roundback, 6"
2	1123447	Coupler, Flange, 6"
3	1123470	Valve, Nelson, 800 Series
4	1123421	Adapter, Riser, Nelson Valve
5	0638296	Hose, Rubber, 6-5/8", 120 PSI
6	0638635	Clamp, Hose, 6-5/8", T-Bolt
7	1123694	Riser, Weldment, 6-5/8"
8	0644864	Gasket, Flange, 6-5/8"
9	0608398	Screw, 5/8-11 x 1-1/2", Hex
10	0624163	Nut, 5/8-11, Lock
11	1123793	Joint, End Fed
12	0644443	Plug, 2-1/2" Pipe
13	0634436	Gasket, Flange, 5-9/16" Overhang
14	1047596	Cap, Overhang Pipe



# M-Lateral Systems

## Riser with Manual Valve, 0132423

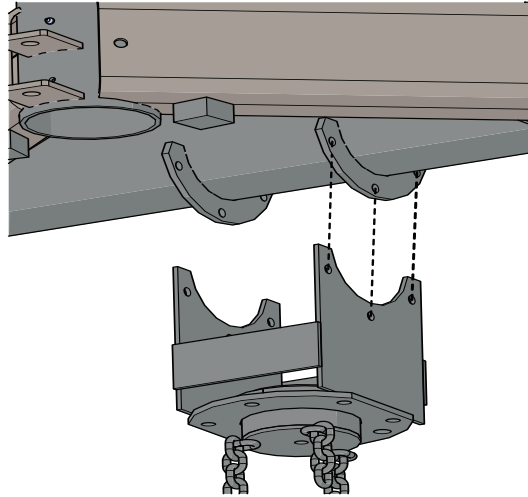
Ref.	Original Part No.	Description
1	6610604	Gasket, Roundback, 6"
2	1124866	Coupler, Flange, 6"
3	0365635	Valve, Wafer, Swing Angle, 8"
4	1123975	Adapter, Riser, Manual Valve
5	0638296	Hose, Rubber, 6-5/8", 120 PSI
6	0638635	Clamp, Hose, 6-5/8", T-Bolt
7	1123694	Riser, Weldment, 6-5/8"
8	0644864	Gasket, Flange, 6-5/8"
9	0608398	Screw, 5/8-11 x 1-1/2", Hex
10	0624163	Nut, 5/8-11, Lock
11	1123793	Joint, End Fed
12	0644443	Plug, 2-1/2" Pipe
13	0634436	Gasket, Flange, 5-9/16" Overhang
14	1047596	Cap, Overhang Pipe
15	0639088	Gasket, Flat, Ring, 8"
16	0608372	Screw, 3/4-10 x 3", Hex
17	0624171	Nut, 3/4-10, Lock





# M-Lateral Systems

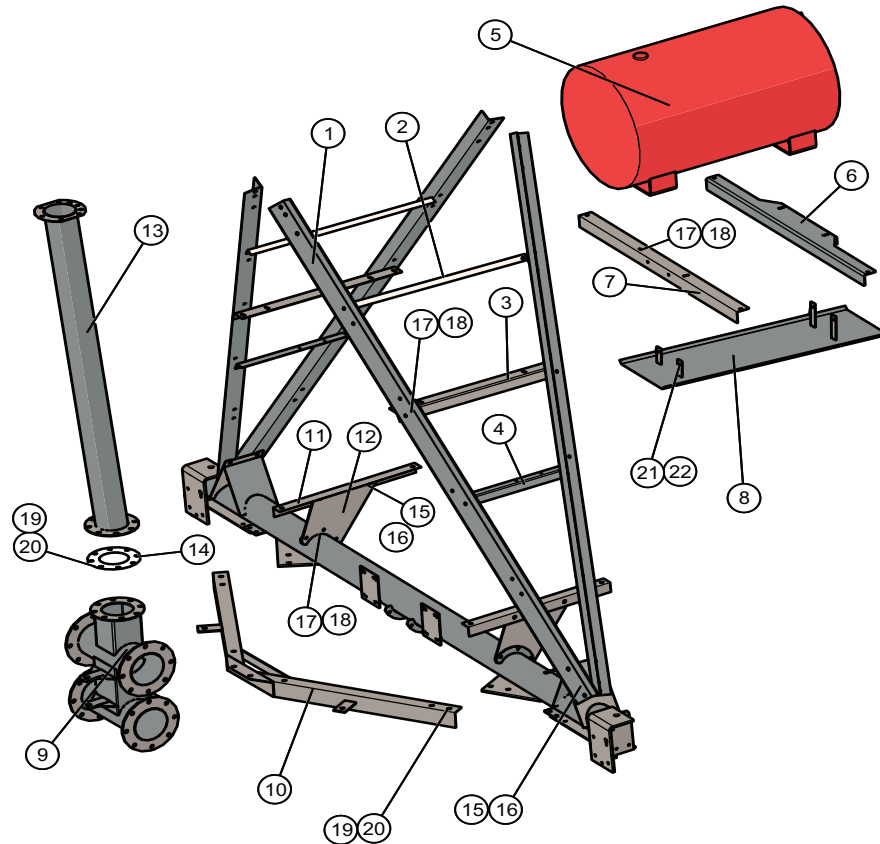
## Swivel Mount 0133637





# M-Lateral Systems

## 2 Wheel, 4 Inlet, Diesel Cart Ass'y, 0133769



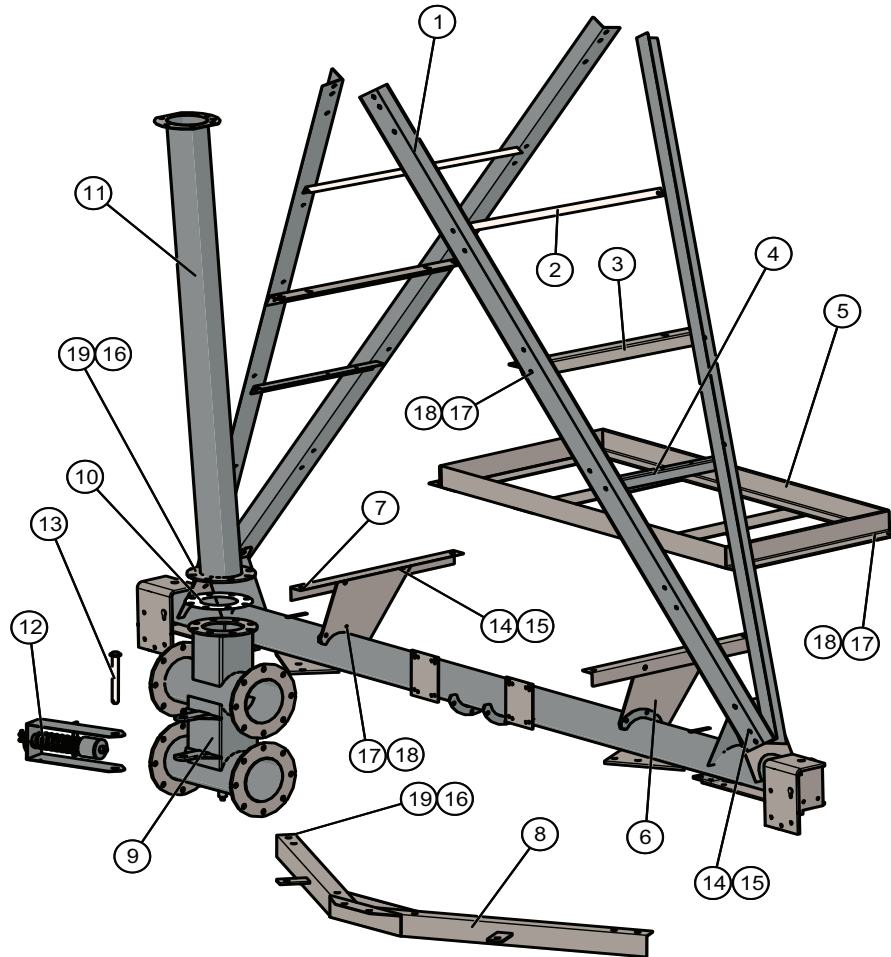
Ref.	Original Part No.	Description
1	0367417	Tower Leg Angle
2	0323444	Tie, Tower Angle, 1st
3	1610288	Tie, Tower Angle, Stabilizer
4	1123546	Tie, Tower Angle, Last
5	0633271	Fuel Tank, 15 gal, Hose Pull
6	1610287	Support Angle, Fuel Tank
7	1123504	Support Angle, Fuel Tank
8	1123637	Drip Pan, Diesel Hose Pull
9	1134360	Manifold, 4 Inlet, Hose Pull
10	0349464	Manifold, Brace, Hose Pull
11	1124932	Angle, Genset Mount
12	1123462	Mount, Genset Frame

Ref.	Original Part No.	Description
13	1134634	Riser, 6", 4 Inlet, Hose Pull
14	8707325	Gasket, 6", Flange
15	0608398	Screw, 5/8-11 x 1-1/2", Hex
16	0624163	Nut, 5/8-11, Lock
17	0608042	Screw, 1/2-13 x 1-1/4", Hex
18	0624189	Nut, 1/2-13, Lock
19	0608091	Screw, 3/4-10 x 2", Hex
20	0624171	Nut, 3/4-10, Lock
21	1027705	Nut, 3/8-16, Lock
22	1123504	Screw, 3/8-16 x 1", Hex
23	1172212	Genset Frame (not shown)



# M-Lateral Systems

## 2 Wheel, 4 Inlet, Electric Cart Ass'y, 0136077



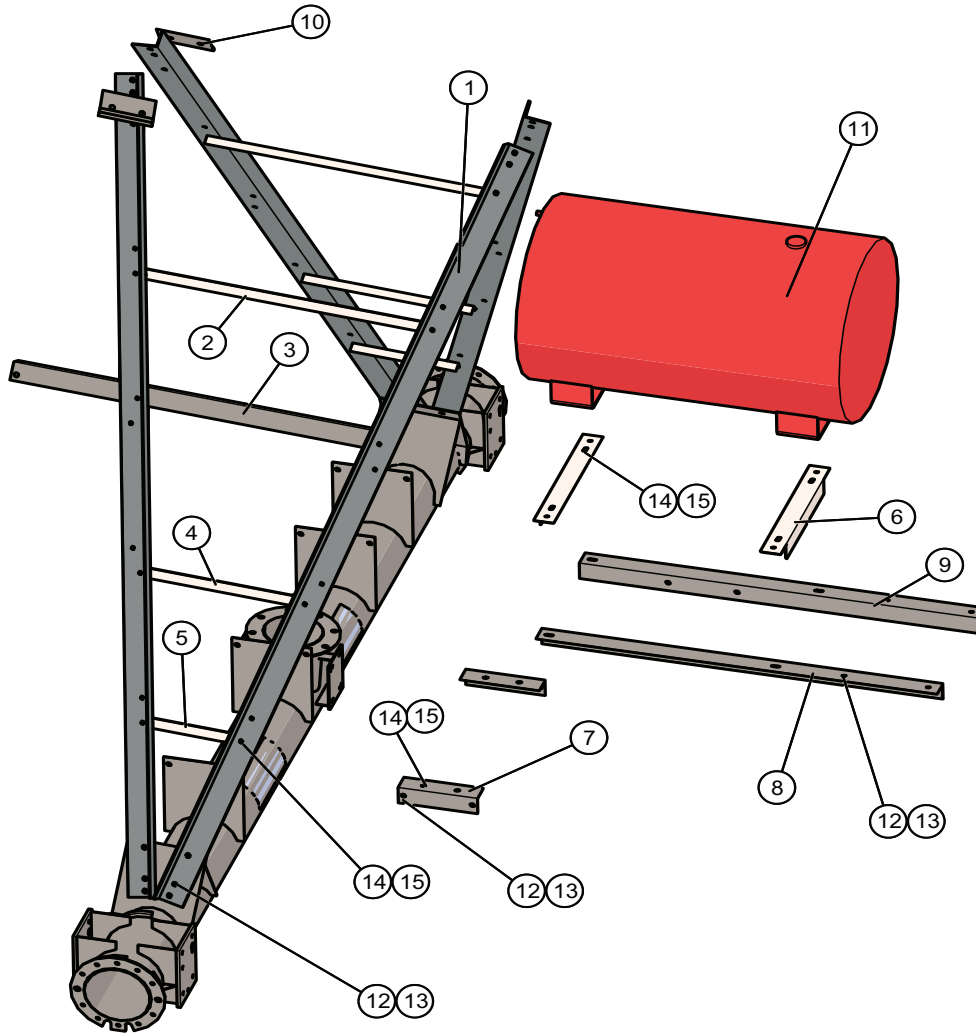
Ref.	Original Part No.	Description
1	0367417	Tower Leg Angle
2	0323444	Tie, Tower Angle, 1st
3	1610288	Tie, Tower Angle, Stabilizer
4	1123546	Tie, Tower Angle, Last
5	1129071	Frame, Auxiliary Weight
6	1123462	Mount, Genset Frame
7	1124932	Angle, Genset Mount
8	0349464	Manifold Brace, Hose Pull
9	1134360	Manifold, 4 Inlet, Hose Pull
10	8707325	Gasket, Flange, 6"

Ref.	Original Part No.	Description
11	1134634	Riser, 6", 4 Inlet, Hose Pull
12	0349522	Trip Ass'y, Cord Pull
13	0321588	Pin, Gearbox Mount
14	0608398	Screw, 5/8-11 x 1-1/2", Hex
15	0624163	Nut, 5/8-11, Lock
16	0624171	Nut, 3/4-10, Lock
17	0608042	Screw, 1/2-13 x 1-1/4", Hex
18	0624189	Nut, 1/2-13, Lock
19	0608091	Screw, 3/4-10 x 2", Hex
20	0376046	Limit Switch, Roller Actuator (not shown)
21	0632711	Screw, #10-24 x 2", Hex (not shown)



# M-Lateral Systems

## 4 Wheel, Diesel, Cart Ass'y, 0129510



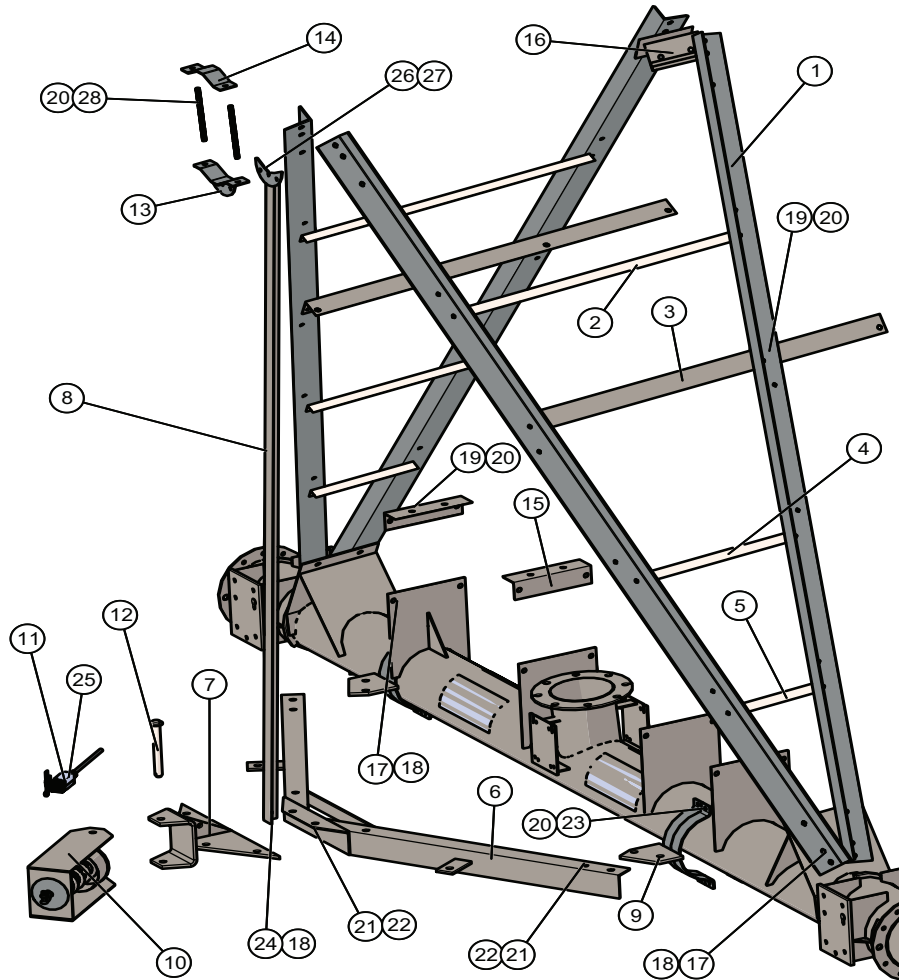
Ref.	Original Part No.	Description
1	0367417	Tower Leg Angle
2	0323444	Tie, Tower Angle, 1st
3	1087331	Tie, Tower Angle, Stabilizer
4	0323467	Tie, Tower Angle, 3rd
5	0323477	Tie, Tower Angle, Last
6	1073733	Angle, Fuel Tank Mount
7	1087105	Angle, Engine Mount
8	1087998	Angle, Panel Standoff, Left

Ref.	Original Part No.	Description
9	1087980	Angle, Panel Standoff, Right
10	1073691	Tower Leg Shim
11	0633271	Fuel Tank, 30 Gal.
12	0608398	Screw, 5/8-11 x 1-1/2", Hex
13	0624163	Nut, 5/8-11, Lock
14	0608042	Screw, 1/2-13 x 1-1/4", Hex
15	0624189	Nut, 1/2-13, Lock
16	1172212	Engine Frame (not shown)



# M-Lateral Systems

## 4 Wheel, Electric, Cart Ass'y, 0131532



Ref.	Original Part No.	Description
1	0367417	Tower Leg Angle
2	0323444	Tie, Tower Angle, 1st
3	1087331	Tie, Tower Angle, Stabilizer
4	0323467	Tie, Tower Angle, 3rd
5	0323477	Tie, Tower Angle, Last
6	0349464	Manifold Brace, Hose Pull
7	1106061	Hitch, Cable, Cord Pull, 4 Wheel
8	1106145	Support, Hitch, Cord Pull
9	1106103	Saddle Clamp, Cord Pull
10	0375469	Safety Trip, Cord Pull, 4 Wheel
11	0376046	Switch, Limit, Roller Actuator
12	0321588	Pin, Gearbox Mount
13	0472449	Mount, Universal Tower Box
14	0472431	Saddle Clamp, 5-9/16 to 8-5/8
15	1087105	Angle, Engine Mount

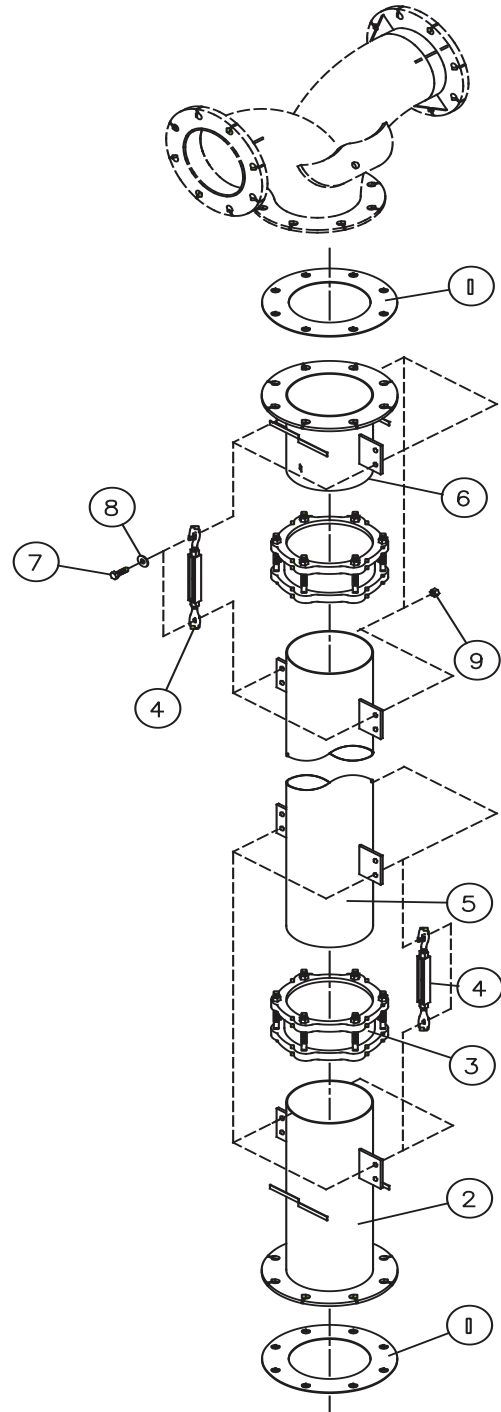
Ref.	Original Part No.	Description
16	1073691	Tower Leg Shim
17	0608398	Screw, 5/8-11 x 1-1/2", Hex
18	0624163	Nut, 5/8-11, Lock
19	0608042	Screw, 1/2-13 x 1-1/4", Hex
20	0624189	Nut, 1/2-13, Lock
21	0642694	Screw, 3/4-10 x 1-1/2", Hex
22	0624171	Nut, 3/4-10, Lock
23	0608059	Screw, 1/2-13 x 2", Hex
24	0608398	Screw, 5/8-11 x 1/2", Hex
25	0632711	Screw, #10-24 x 2", Hex (not shown)
26	0621425	Screw, 7/16-14 x 1-1/2", Hex
27	0634220	Nut, 7/16-14, Lock
28	0352724	Threaded Rod, 1/2-13 x 9"
29	1129071	Frame, Auxiliary Weight (not Shown)



# M-Lateral Systems

## Riser Ass'y, 4 Wheel Cart

Ref.	Original Part No.	Description
1	8707333	Gasket, Flange, 8"
2	1073642	Pipe, Riser, Discharge, Lower
3	0633800	Coupling, Dresser, 8"
4	0620823	Turnbuckle, 1/2 x 6", Hook & Eye
5	0355503	Pipe, Riser, Discharge
6	1073667	Pipe, Riser, Discharge, Upper
7	2607604	Screw, 1/2-13 x 1-1/2", Hex
8	0608430	Washer, 1/2", Flat
9	0624171	Nut, 1/2-13, Lock





## M-Lateral Systems

### All Hose Fed Cart Power Units

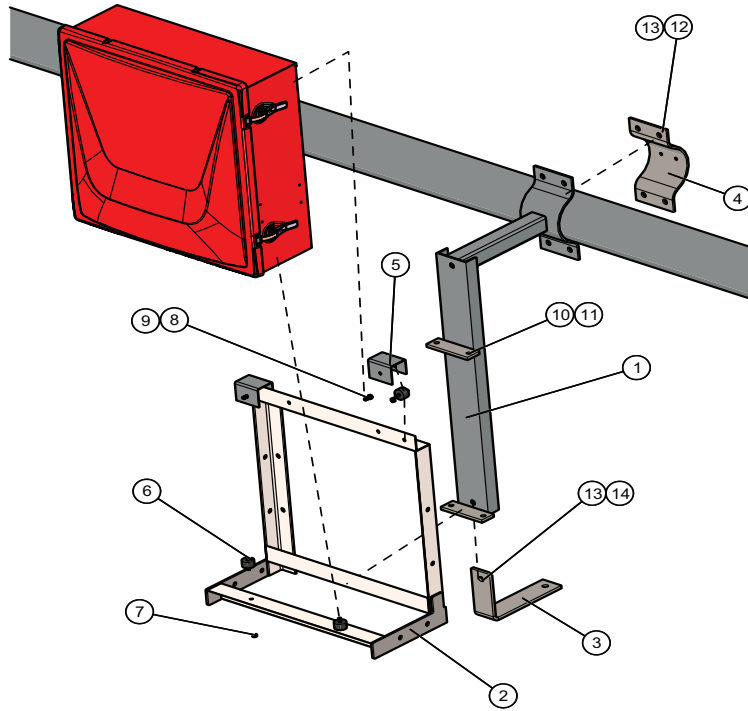
Includes Engine, Pump and Generator

Ref.	Original Part No.	Description
1	0355602	Power Unit, 4219D, 6012, 10 KW
2	0355610	Power Unit, 6329D, 6012, 10 KW
3	0355628	Power Unit, 6329D, 6012, 15 KW
4	0355636	Power Unit, 6414T, 6012, 15 KW
5	0355644	Power Unit, 6414T, 6012, 20 KW
6	0355651	Power Unit, 6414T, 6RB, 15 KW
7	0355669	Power Unit, 6414T, 6RB, 20 KW
8	0355677	Power Unit, 6466A, 6RB, 15 KW
9	0355685	Power Unit, 6466A, 6RB, 20 KW
10	0356212	Power Unit, 3208-175, 6RB, 15 KW
11	0356220	Power Unit, 3208-150, 6RB, 15 KW
12	0356204	Power Unit, 3306T, 6RB, 15 KW
13	0356253	Power Unit, 3306T, 6RB, 20 KW
14	0356238	Power Unit, 3208-175, 6RB, 20 KW
15	0356246	Power Unit, 3208-150, 6 RB, 20 KW



# M-Lateral Systems

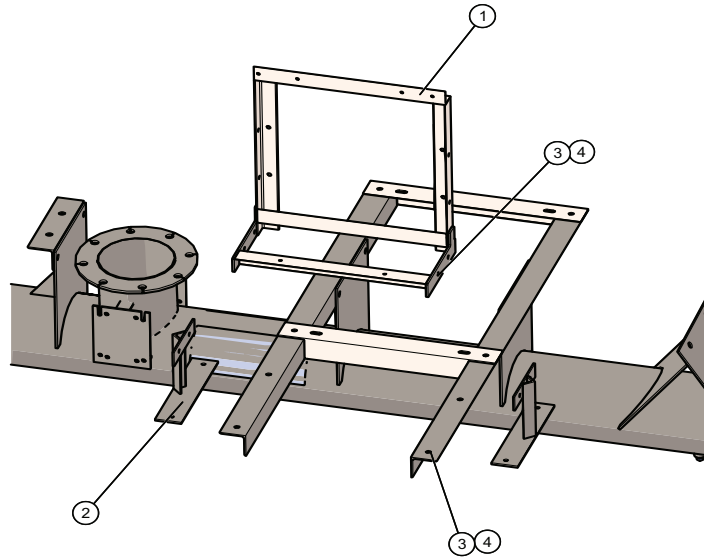
## 2-Wheel Hose Pull Main Panel Mount



Ref.	Original Part No.	Description
1	1123397	Main Panel Standoff
2	0471656	Main Panel Mount Frame
3	1124908	Panel Standoff Brace
4	0360826	Saddle Clamp
5	1124999	Insulator Mount Bracket
6	0638494	Insulator, 1/4" Threaded Inserts
7	0608414	Nut, 1/4-20, Hex
8	1029859	Screw, 1/4-20 x 3/4", Hex
9	0615104	Washer, 1/4", Flat
10	0622217	Screw, 3/8-16 x 1", Hex
11	0624205	Nut, 3/8-16, Lock
12	0608059	Screw, 1/2-13 x 2", Hex
13	0624189	Nut, 1/2-13, Lock
14	0608042	Screw, 1/2-13 x 1-1/4", Hex

# M-Lateral Systems

## 4-Wheel Hose Pull Main Panel Mount

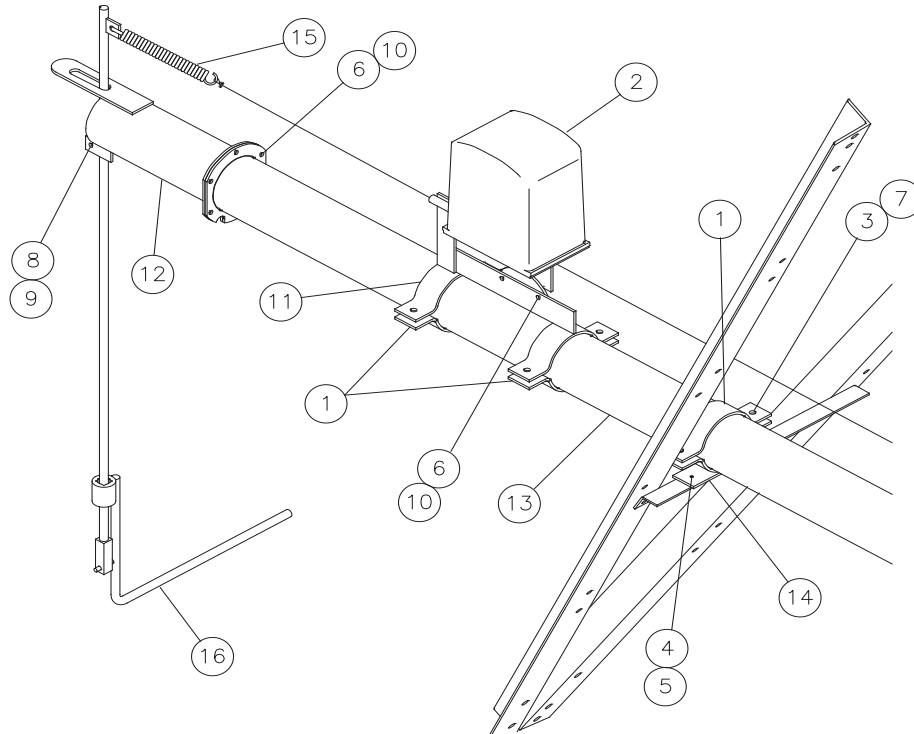


Ref.	Original Part No.	Description
1	0471656	Main Panel Mount Frame
2	1146190	Bracket, Panel Mount
3	0608042	Screw, 1/2-13 x 1-1/4", Hex
4	0624189	Nut, 1/2-13, Lock
5	0638494	Insulator, 1/4" Threaded Inserts
6	1124999	Insulator Mount Bracket
7	0608414	Nut, 1/4-20, Hex
8	0615104	Washer, 1/4", Lock
9	1029859	Screw, 1/4-20 x 3/4", Hex



# M-Lateral Systems

## Hose Pull Auto-Stop Assembly



Ref.	Original Part No.	Description
1	0332643	Saddle Clamp, 5-9/16"
2	0365742	Panel, Control, ARAS
3	0608059	Screw, 1/2-13 x 2", Hex
4	0608414	Nut, 1/4-20, Hex
5	1184050 1105592	Screw, 1/4-20 x 1" Hex. SS Bolt, 1/4-20 x 2-1/2", J (Alternative)
6	0622217	Screw, 3/8-16 x 1", Hex
7	0624189	Nut, 1/2-13, Lock
8	0624205	Nut, 3/8-16, Lock
9	0624510	Screw, 3/8-16 x 2-1/2", Hex
10	1027705	Nut, 3/8-16, Lock
11	1090026	Panel Mount
12	1090083	Joint, End, Safety Rod Mount
13	1091867	Safety Tube, 5-9/16 x 22'
14	1123843	Saddle Weldment, Hose Pull
15	1123918	Spring, Extension, 1" x 11.5"
16	1124874 0465799	Trip Rod Assembly, "L" Trip Rod Assembly, Straight (Alternate)

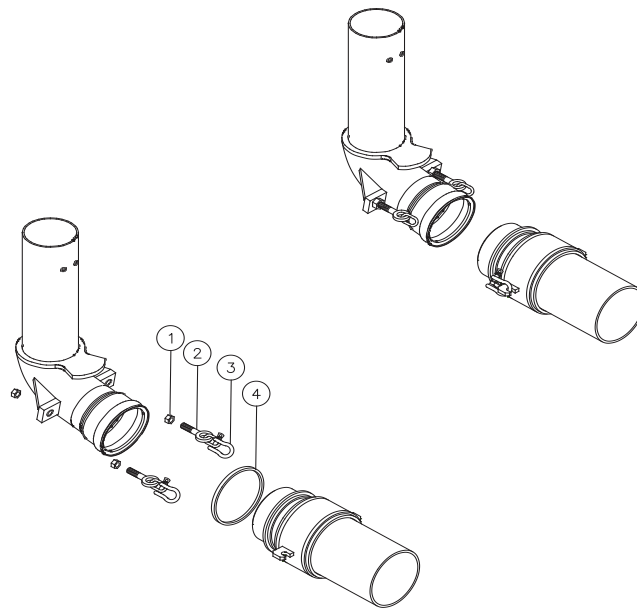


# M-Lateral Systems

## Hose Fed Intake, Hose Connections

### 2-Wheel Hose Fed, Swivel, 4" & 6" Inlet, 0123983

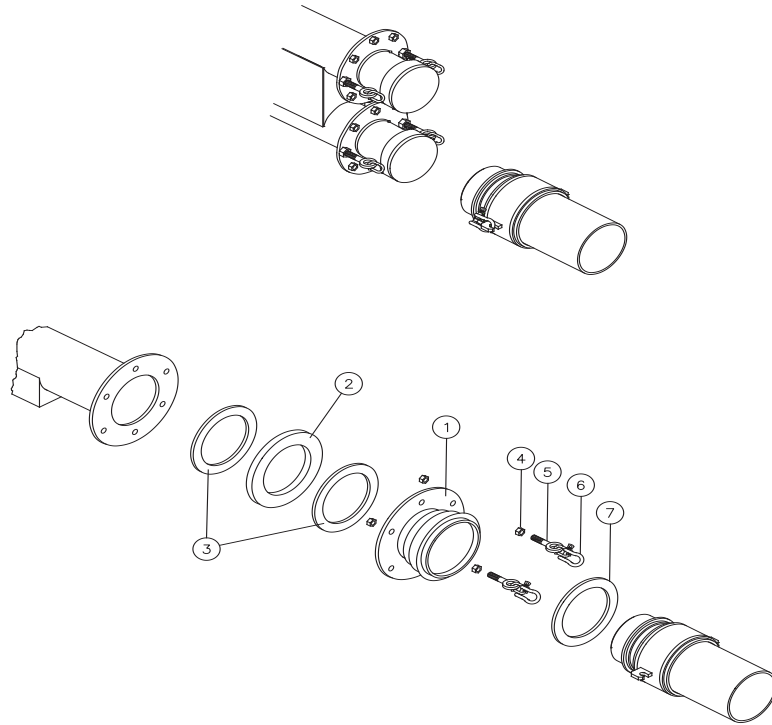
Ref.	Original Part No.	Description
1	0608265	Nut, 3/4-10, Hex
2	0856922	Chain, Coupler, Hose Pull
3	1124940	Clevis, 5/8" Chain
4	6610406	Gasket, Roundback, 3-Lip, 4"
	6610604	Gasket, Roundback, 6"





# M-Lateral Systems

## 2-Wheel Hose Fed, 4 Inlet, Hose Connections



### 4" Manifold, 0117515

Ref.	Original Part No.	Description
1	0349456	Coupler, 6", Manifold x 4" Coupler
2	0365635	Valve, Wafer Swing Check, 8"
3	0639088	Gasket, Flat Ring, 8"
4	0608265	Nut, 3/4-10 Hex
5	0856922	Chain, Coupler, Hose Pull
6	0624064	Clevis Assembly, 3/8" Chain
7	6610406	Gasket, Roundback, 3-Lip, 4"
8	0608166	Washer, 3/4", Lock
9	0608372	Screw, 3/4-10 x 3", Hex

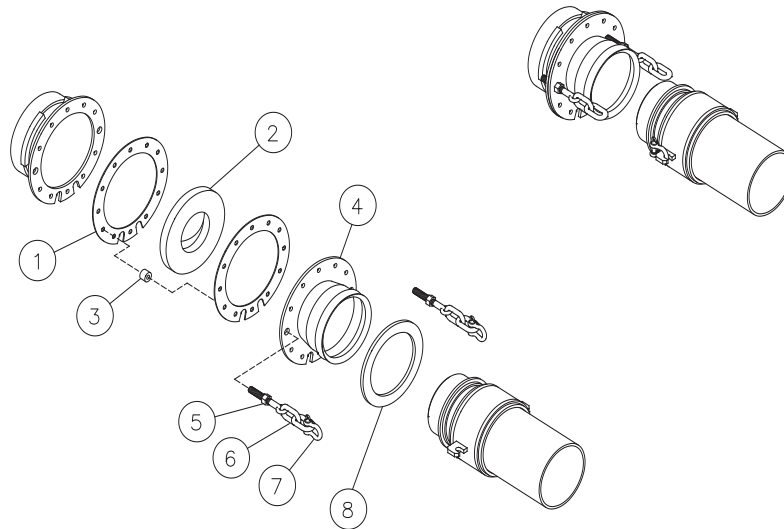
### 6" Manifold, 0117523

Ref.	Original Part No.	Description
1	0349456	Coupler, 6", Manifold x 4" Coupler
2	0365635	Valve, Wafer Swing Check, 8"
3	0639088	Gasket, Flat Ring, 8"
4	0608265	Nut, 3/4-10 Hex
5	0856922	Chain, Coupler, Hose Pull
6	0624064	Clevis Assembly, 3/8" Chain
7	6610604	Gasket, Roundback, 6"
8	0608166	Washer, 3/4", Lock
9	0608372	Screw, 3/4-10 x 3", Hex



# M-Lateral Systems

## 4-Wheel Hose Fed, Hose Connections



### 4" Inlet, 0131722

Ref.	Original Part No.	Description
1	1087139	Gasket, Flat, 10"
2	1087337	Valve, Wafer Swing Check, 6"
3	1087352	Spacer, Wafer Valve
4	1108638	Coupler, 4", 10" Flange
5	0608265	Nut, 3/4-10, Hex
6	0856922	Chain, Coupler, Hose Pull
7	1087196	Shackle, Anchor, 1/2"
8	6610406	Gasket, Roundback, 3-Lip, 4"

### 8" Inlet, 0129536

Ref.	Original Part No.	Description
1	1087139	Gasket, Flat, 10"
2	1087337	Valve, Wafer Swing Check, 6"
3	1087352	Spacer, Wafer Valve
4	1108638	Coupler, 4", 10" Flange
5	0608265	Nut, 3/4-10, Hex
6	0856922	Chain, Coupler, Hose Pull
7	1087196	Shackle, Anchor, 1/2"
8	6610703	Gasket, Roundback, 8"

### 6" Inlet, 0129528

Ref.	Original Part No.	Description
1	1087139	Gasket, Flat, 10"
2	1087337	Valve, Wafer Swing Check, 6"
3	1087352	Spacer, Wafer Valve
4	1108638	Coupler, 4", 10" Flange
5	0608265	Nut, 3/4-10, Hex
6	0856922	Chain, Coupler, Hose Pull
7	1087196	Shackle, Anchor, 1/2"
8	6610604	Gasket, Roundback, 6"

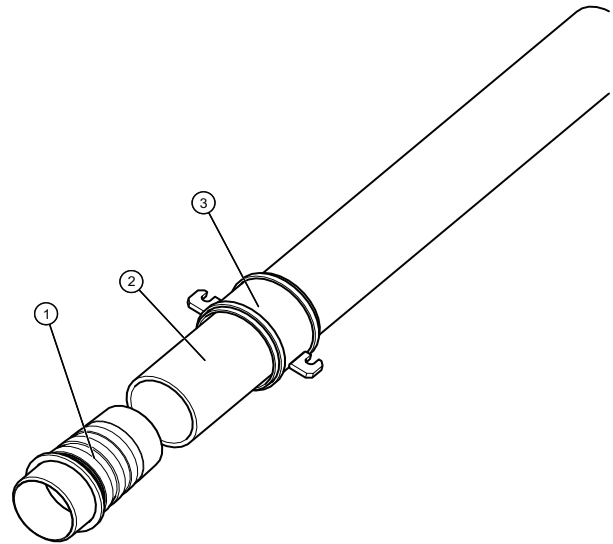


# M-Lateral Systems

## Hose Assemblies

### 4-1/2" Rubber Hose with couplers, for 4" Inlets, 0115865

Ref.	Original Part No.	Description
1	2612158	Coupler, Pull, 4-1/2", Male
2	0358424	Hose, Flex Rubber, 4-1/2" x 330'
3	2612158	Coupler, Pull, 4-1/2", Female



### 4-3/4" Hard Hose 0116871, and Couplers for 4" Inlets, 0116889

Ref.	Original Part No.	Description
1	0365429	Barb, 5-3/8" OD Hose
2	0638361	Pipe, Poly, 4-3/4" x 39'
3	0365361	Sleeve, 5-3/8" OD Hose

### 5.9" Hard Hose 017010, and Couplers for 6" Inlets, 0117333

Ref.	Original Part No.	Description
1	0365338	Barb, 6" Hose
2	0638379	Pipe, Poly, 6" x 39'
3	0365270	Sleeve, 6" Hose

### 8" Hard Hose 0129502, and Couplers for 8" Inlets, 0129494

Ref.	Original Part No.	Description
1	1092881	Barb, 8" Hose
2	1082676	Pipe, Poly, 8" x 39'
3	1092923	Sleeve, 8" Hose



## M-Lateral Systems

### 6" Soft Hose Manifold, 0138073

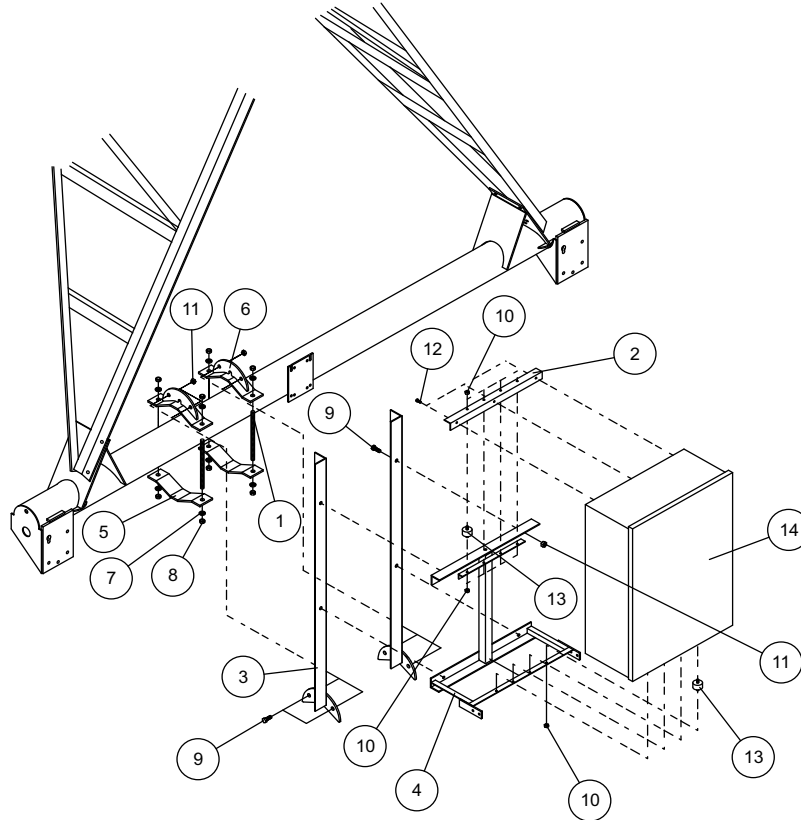
For 5-1/2' of 6" soft hose between the intake manifold and end of the hard hose.

Ref.	Original Part No.	Description
1	0623884	Clevis Assembly, 3/8" Chain
2	1007715	Hose, Soft, 6" x 5-1/2'
3	1007723	Chain, Pull, Hose Connect
4	1007731	Chain Binder, 5/16"
5	6606388	Clamp, Ringlock, 6"



# M-Lateral Systems

Buried Wire Guidance, Guidance Panel Mount, Hose Fed Cart or Guidance Tower

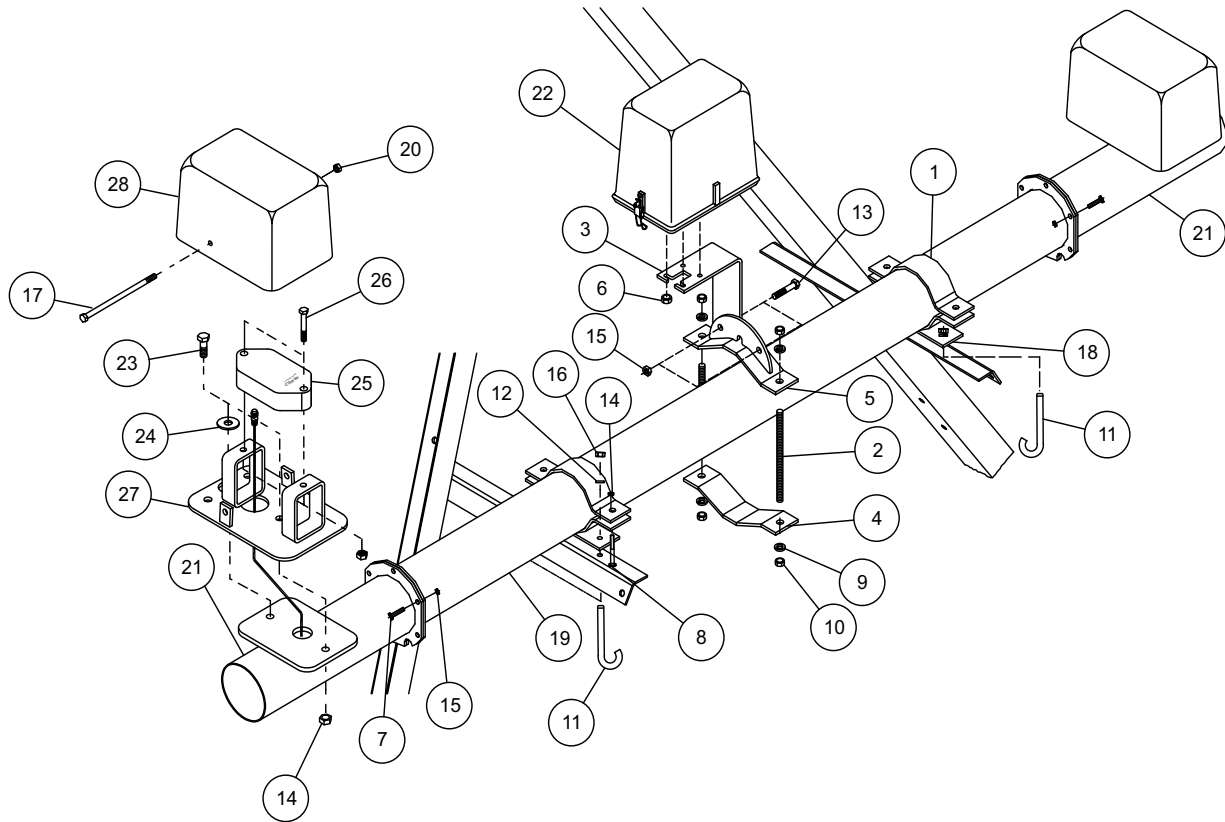


Ref.	Original Part No.	Description
1	0352274	Rod, Threaded, 1/2-13 x 9"
2	0359919	Mount, Combination, Main panel
3	0406025	Mount, Weldment, Main Panel
4	0465047	Bracket, Combination, Main Panel
5	0472431	Clamp, Saddle, 5-9/16 to 8 x 2-1/2"
6	0472449	Mount, Universal Tower Panel
7	0608141	Washer, 1/2", Lock
8	0608240	Nut, 1/2-13, Hex
9	0622217	Screw, 3/8-16 x 1", Hex
10	0624197	Nut, 1/4-20, Lock
11	0624205	Nut, 3/8-16, Lock
12	0624346	Screw, 1/4-20 x 1/2"
13	0638494	Mount, Rubber, Combi., 1/4-20 Insert
14	1101112	Panel, Control



# M-Lateral Systems

## Buried Wire Guidance, Antenna Panel Mount, Hose & Ditch Fed Systems



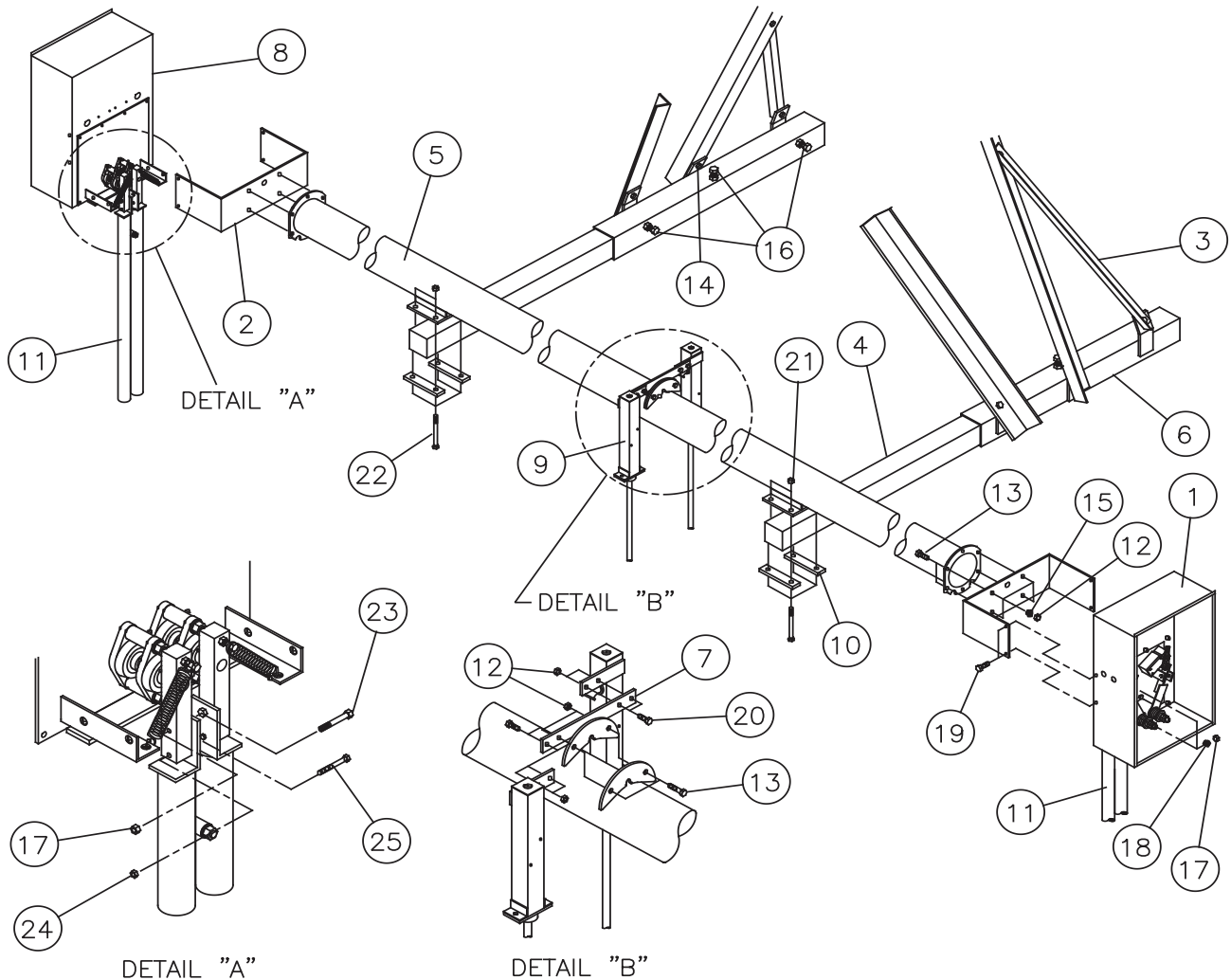
Ref.	Original Part No.	Description
1	0332643	Clamp, Saddle, 5-9/16 x 2-1/2"
2	0352724	Rod, Threaded, 1/2-13 x 9"
3	0328229	Mount, Tower Box, Square Mount
4	0472431	Clamp, Saddle, 5-9/16 to 8" x 2-1/2"
5	0472449	Mount Universal, Tower Box
6	0602623	Nut, 5/16-18, Nylock
7	0608034	Screw, 3/8-16 x 1-1/2", Hex
8	0608059	Screw, 1/2-13 x 2", Hex
9	0608141	Washer, 1/2" Lock
10	0608240	Nut, 1/2-13, Hex
11	0608406	Screw, 1/4-20 x 2-1/2", J
12	0608422	Washer, 1/4", Flat
13	0622217	Screw, 3/8-16 x 1", Hex
14	0624189	Nut, 1/2-13, Lock

Ref.	Original Part No.	Description
15	0624205	Nut, 3/8-16, Lock
16	0642678	Nut, 1/4-20, Lock, Nylon
17	0601104	Screw, 3/8-16 x 7-1/2", Hex
18	1090018	Mount, Safety Tube
19	1091867	Pipe, Safety, 5-9/16 x 22"
20	0622282	Nut, 3/8-16, Lock, Nylon
21	1099845	Weldment, Tube, Antenna Mount
22	1100122	Panel, Junction Antenna, SCP
23	2607604	Screw, 1/2-13 x 1-1/2", Hex
24	1086297	Washer, 1/2", Flat
25	1291920	Antenna Module
26	1389960	Screw, 1/2-13 x 1-1/8", Carriage
27	1291430	Antenna Mount
28	1099837	Cover, Antenna Mount



# M-Lateral Systems

## Above Ground Wire Guidance, Mounting, Hose Fed



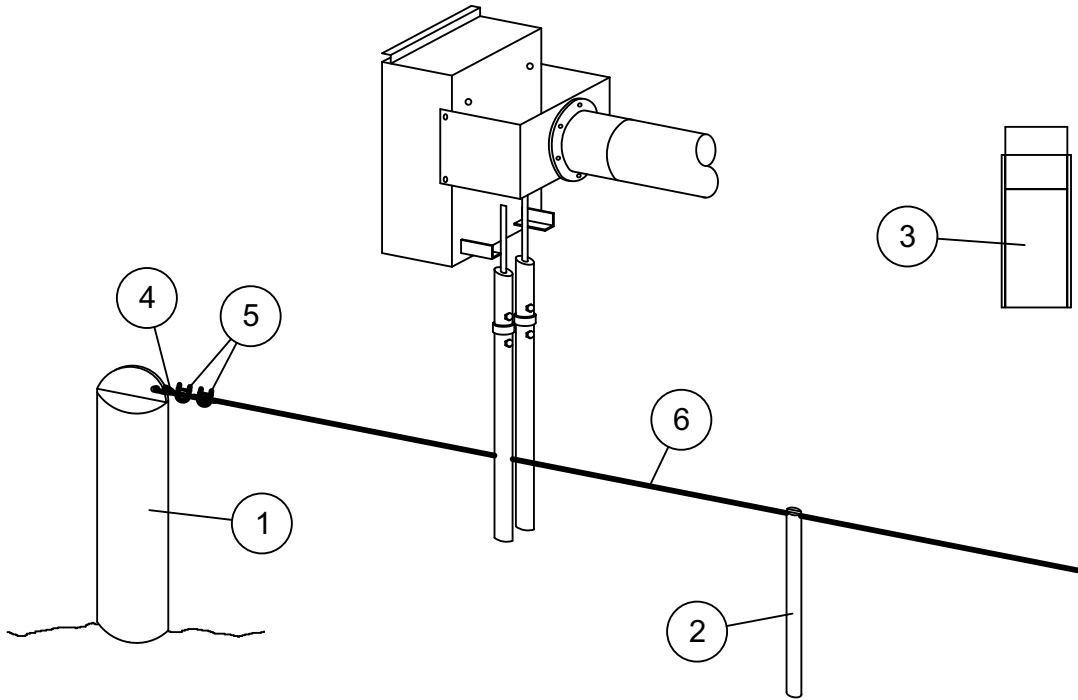
Ref.	Original Part No.	Description
1	0352930	Panel, Ass'y, Guidance, Forward
2	0353607	Mount, Guidance Panel
3	0353615	Strut, Support Beam, Guidance Panel
4	0353623	Tube, Telescoping, Guidance Panel
5	0353664	Support Tube Weldment
6	0353672	Support Beam Weldment
7	0353722	Safety Switch Mount Weldment
8	0359745	Panel Ass'y, Guidance, Reverse
9	0358945	Switch-Quill Ass'y, Safety End
10	0452730	Plate, Battery Box Anchor
11	0453928	Guidance Quill Weldment
12	0601203	Nut, 3/8-16, Hex
13	0608034	Screw, 3/8-16 x 1-1/2", Hex

Ref.	Original Part No.	Description
14	0608042	Screw, 1/2-13 x 1-1/4", Hex
15	0608133	Washer, 3/8", Lock
16	0608398	Screw, 5/8-11 x 1-1/2", Hex
17	0608414	Nut, 1/4-20, Hex
18	0615104	Washer, 1/4", Lock
19	0615807	Screw, 1/4-20 x 1", Hex
20	0622217	Screw, 3/8-16 x 1", Hex
21	0624189	Nut, 1/2-13, Lock
22	0630707	Screw, 1/2-13 x 5-1/2", Hex
23	0634295	Screw, 1/4-20 x 1-3/4", Hex
24	0634303	Nut, #8-32, Lock
25	0634311	Screw, #8-32 x 1-1/2", Hex



# M-Lateral Systems

## Above Ground Wire Guidance, Cable Assembly, Hose and Ditch Fed Systems

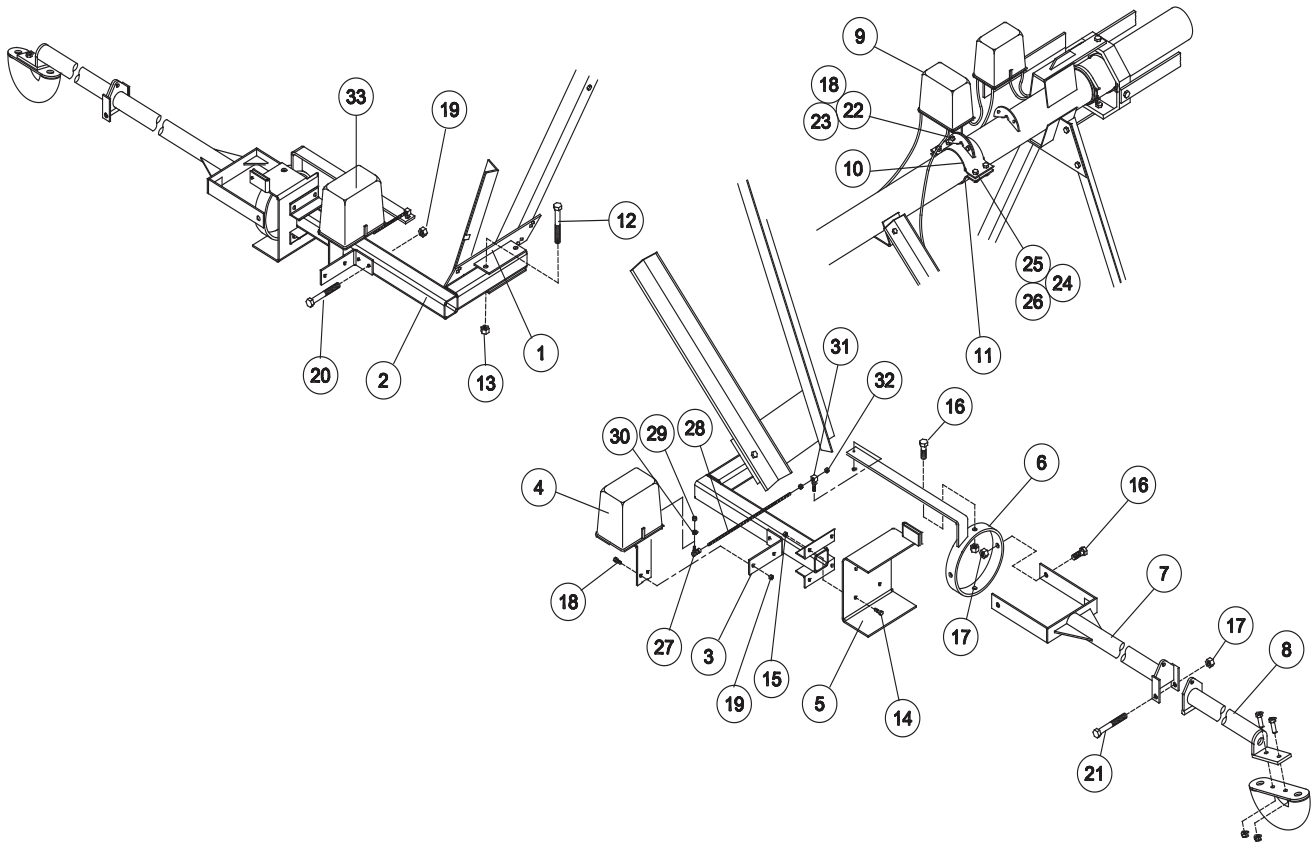


Ref.	Original Part No.	Description
1	0350876	Cable Anchor
2	0350777	Post, Cable Support
3	0350835	Driver, Post Support
4	0626200	Thimble, Cable, 3/16"
5	0626218	Clamp, Cable, 3/16"
6	9720939	Cable, Guidance



# M-Lateral Systems

## 2-Wheel Cart Furrow Guidance, Hose Fed, 0133991



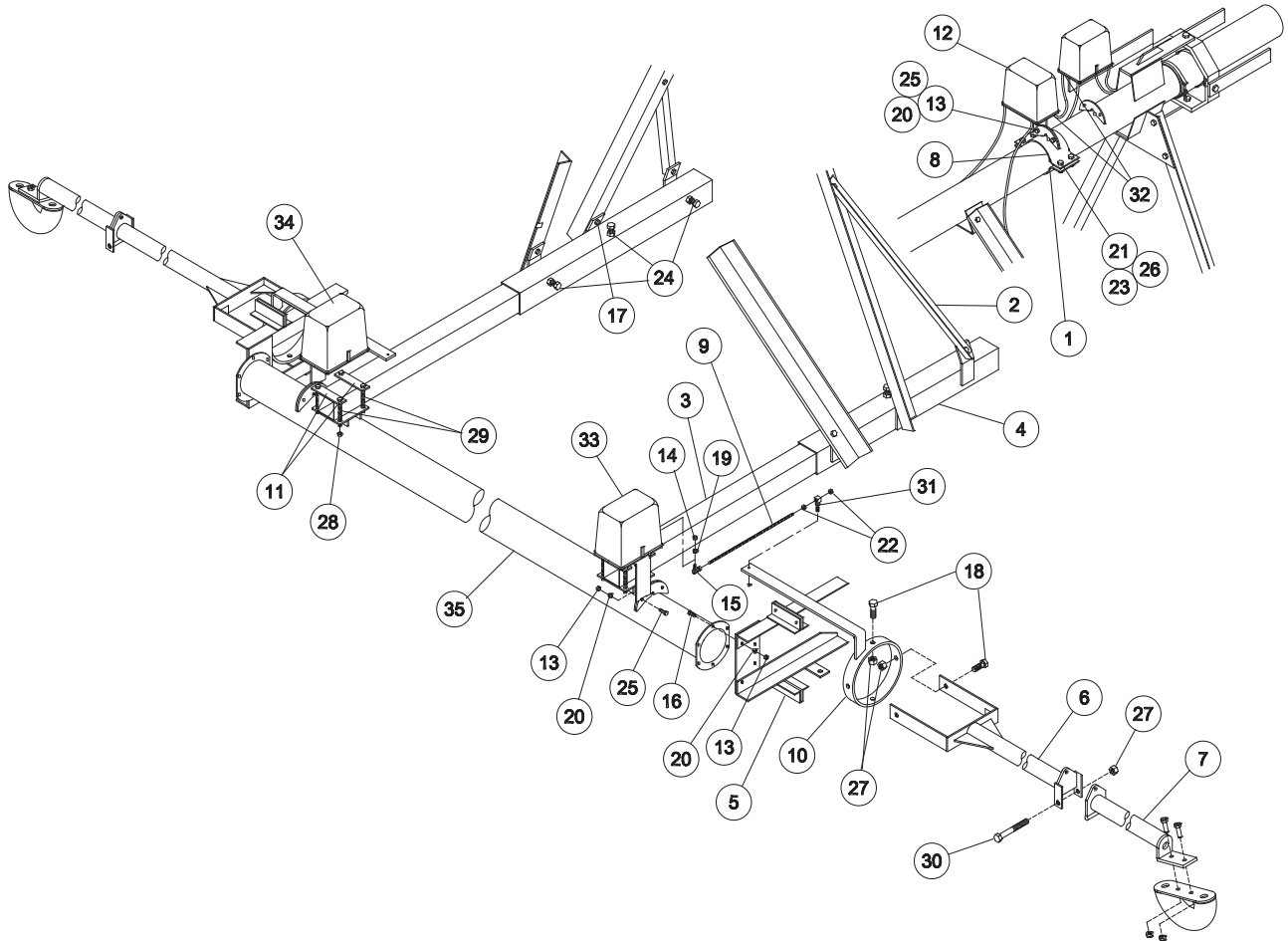
Ref.	Original Part No.	Description
1	1123256	Mount Bracket, Furrow Guide, 2-Wheel
2	1123587	Cantilever, Furrow Guide, 2-Wheel
3	1123496	Standoff Bracket, Furrow Guide, 2-Wheel
4	1000272	Panel & Mount, Forward, 2-Wheel
5	1123553	Alignment Ring Mount
6	0460295	Alignment Ring, 6-5/8"
7	1125004	Upper Furrow Arm
8	1600701	Lower Furrow Arm
9	0359489	Junction Panel, Furrow Guidance
10	0359471	Junction Panel Mount
11	0328195	Saddle Clamp, 6-5/8" x 5"
12	0633370	Screw, 5/8-11 x 4", Hex
13	0624163	Nut, 5/8-11, Lock
14	0608042	Screw, 1/2-13 x 1-1/4", Hex
15	0624189	Nut, 1/2-13, Lock
16	0642694	Screw, 3/4-10 x 1-1/2", Hex
17	0624171	Nut, 3/4-10, Hex

Ref.	Original Part No.	Description
18	0622217	Screw, 3/8-16 x 1", Hex
19	0634196	Nut, 3/8-16, Lock
20	0514034	Screw, 3/8-16 x 4", Hex
21	0637595	Screw, 3/4-10 x 6", Hex
22	0601203	Nut, 3/8-16, Hex
23	0608133	Washer, 3/8", Lock
24	0608158	Washer, 5/8", Lock
25	0608257	Nut, 5/8-11, Hex
26	0624064	Screw, 5/8-11 x 2-1/2", Hex
27	0604702	Joint, Ball, Quick Connect
28	0359604	Rod, Cam, Furrow Guidance
29	0602409	Nut, 5/16-24, Hex, Fine Thread
30	0608125	Washer, 5/16", Lock
31	0644112	Joint, Adjustable, Ball, Swivel, 1/4-28
32	0608224	Nut, 5/16-18, Hex
33	1000280	Panel & Mount, Reverse, 2-Wheel



# M-Lateral Systems

## 4-Wheel Cart Furrow Guidance, Hose Fed, 0134106



Ref.	Original Part No.	Description
1	0328195	Clamp, Saddle, 6-5/8" x 5"
2	0353615	Strut, Support Beam, Guidance Panel
3	0353623	Tube, Telescoping, Guidance Panel
4	0353672	Support Beam Weldment
5	0359182	Alignment Ring Mount, Furrow Guide
6	1125004	Upper Furrow Arm
7	1600701	Lower Furrow Arm
8	0359471	Junction Panel Mount
9	0359604	Rod, Cam, Furrow Guidance
10	0460295	Alignment Ring, 6-5/8"
11	0452730	Anchor Plate
12	0359489	Junction Panel, Furrow Guidance
13	0601203	Nut, 3/8-16, Hex
14	0602409	Nut, 5/16-24, Hex, Fine Thread
15	0604702	Joint, Ball, Quick Connect
16	0608034	Screw, 3/8-16 x 1-1/2", Hex
17	0608042	Screw, 1/2-13 x 1-1/4", Hex
18	0608091	Screw, 3/4-10 x 2" Hex

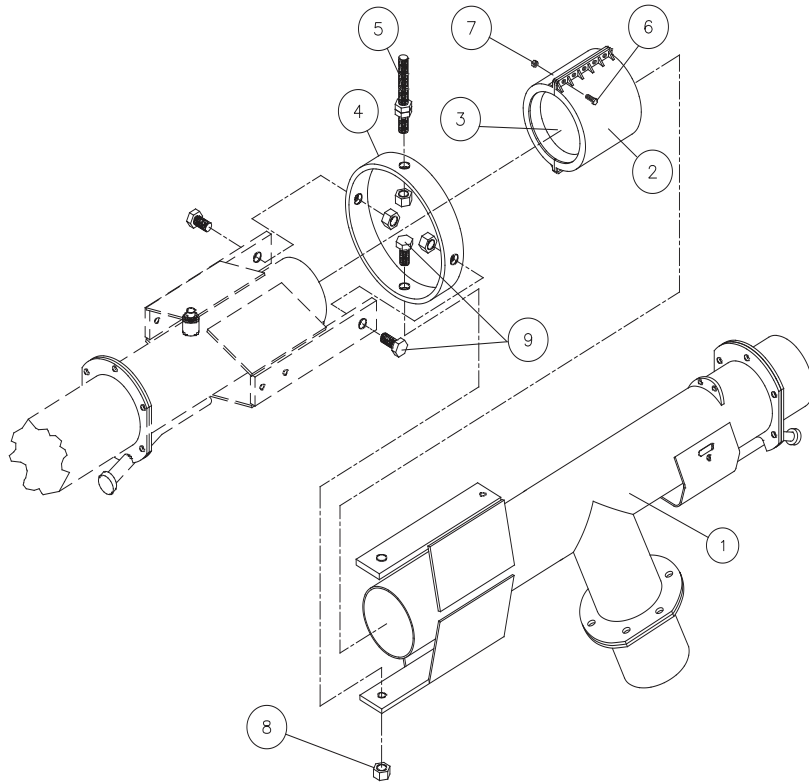
Ref.	Original Part No.	Description
19	0608125	Washer, 5/16" Lock
20	0608133	Washer, 3/8", Lock
21	0608158	Washer, 5/8", Lock
22	0608224	Nut, 5/8-16, Hex
23	0608257	Nut, 5/8-11, Hex
24	0608398	Screw, 5/8-11 x 1-1/2", Hex
25	0622217	Screw, 3/8-16 x 1", Hex
26	0624064	Screw, 5/8-11 x 2-1/2", Hex
27	0624171	Nut, 3/4-10, Lock
28	0624189	Nut, 1/2-13, Lock
29	0630707	Screw, 1/2-13 x 5-1/2", Hex
30	0637595	Screw, 3/4-10 x 6", Hex
31	0644112	Joint, Adjust, Ball, Swivel, 1/4-28
32	0908384	Connector, 3/4" w/Nut, .7"-.8" Dia.
33	1000272	Panel, Forward, Furrow Guidance
34	1000280	Panel, Reverse, Furrow Guidance
35	1015387	Support Tube, Furrow Guidance



# M-Lateral Systems

Joint Assemblies, Hose Fed Carts

Center and Off Center Carts, 6-5/8", 0119123

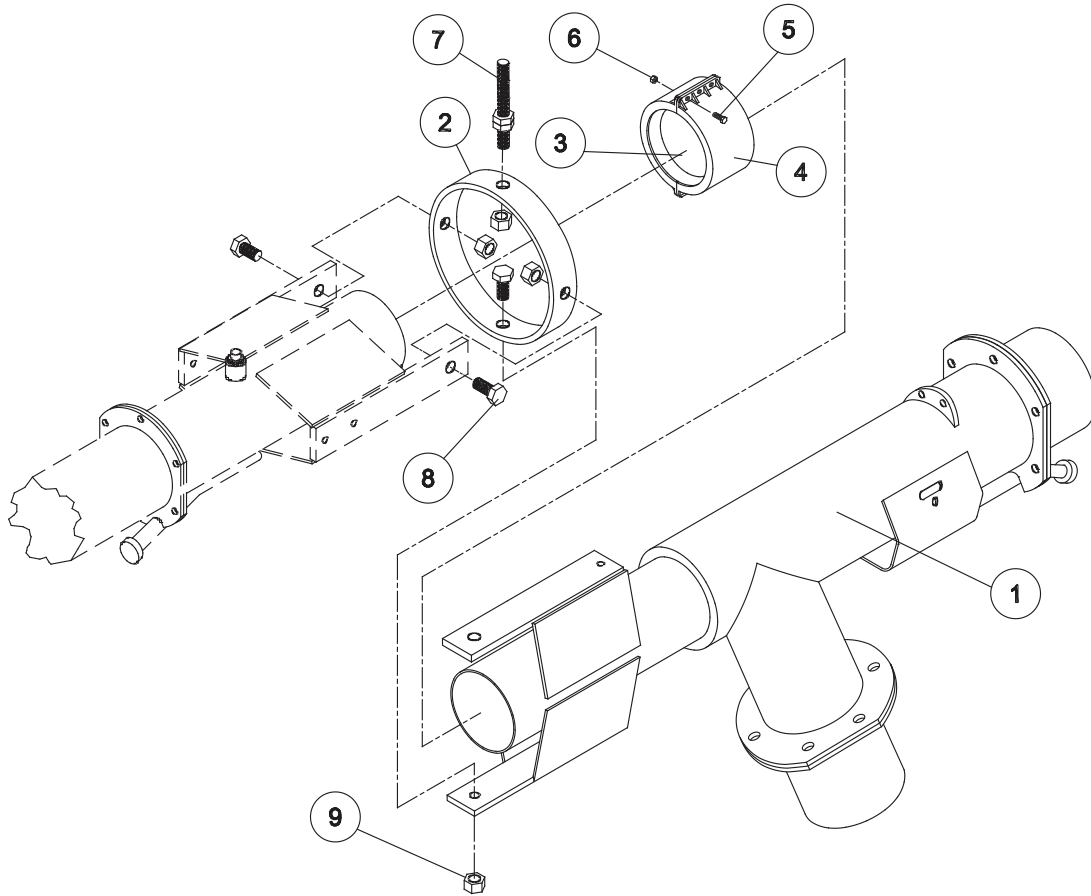


Ref.	Original Part No.	Description
1	1141779	Joint, Long, Hose Intake
2	0644914	Coupler Half, 6-5/8 x 7-1/2" Long
3	0644906	Gasket, Boot, 6-5/8 x 7-1/8" Long
4	0400796	Alignment Ring, 6-5/8"
5	1015544	Alignment Bolt
6	0608026	Screw, 5/16-18 x 1", Hex
7	0608224	Nut, 5/16-18, Hex
8	0624171	Nut, 3/4-10, Hex
9	1291750	Screw, 3/4-10 x 2", Controlled



# M-Lateral Systems

Center and Off Center Carts, Reduction, 6-5/8" to 5-9/16", 0121467

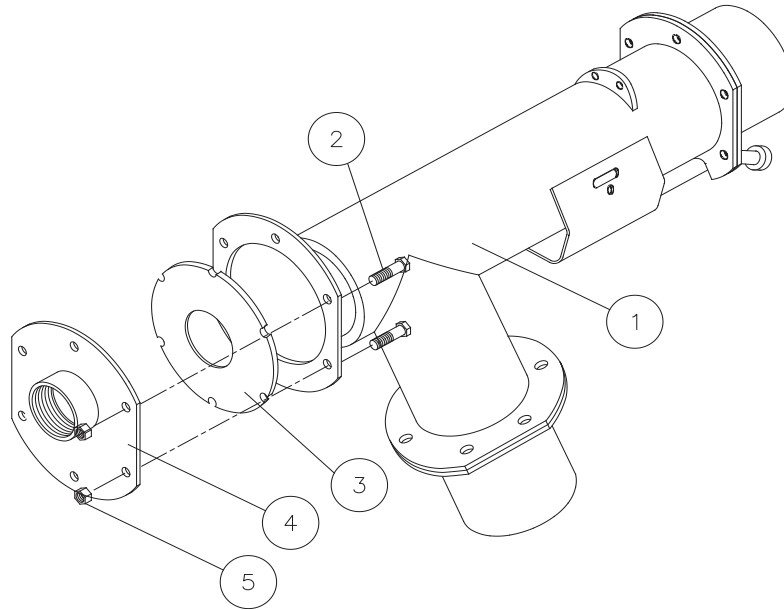


Ref.	Original Part No.	Description
1	0310771	Joint, Reduction, Hose Intake
2	0404673	Alignment Ring 5-9/16"
3	0632570	Gasket, Boot, 5-9/16" x 5-5/8" Long
4	0632562	Coupler Half, 5-9/16" x 6" Long
5	0608026	Screw, 5/16-18 x 1", Hex
6	0608224	Nut, 5/16-18, Hex
7	1015551	Alignment Bolt
8	1291750	Screw 3/4-10 x 2", Controlled
9	0624171	Nut, 3/4-10, Hex



# M-Lateral Systems

## End Fed Carts, 6-5/8", 2-Wheel Hose Fed, 0132407

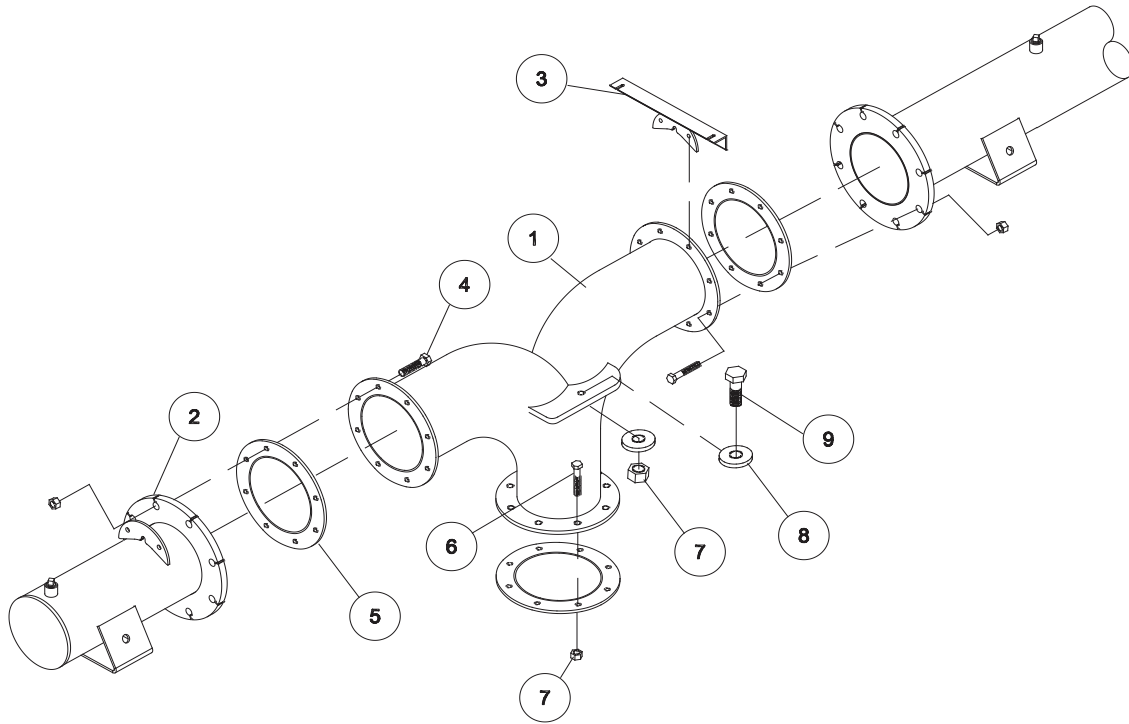


Ref.	Original Part No.	Description
1	1123793	Joint, End Fed, Hose Intake
2	0608034	Screw, 3/8-16 x 1-1/2", Hex
3	0634436	Gasket, Flange, 5-9/16" Pipe
4	0634196	Nut, 3/8-16, Flange, Toplock
5	0400853	Cap, Overhang Pipe, No Hole



# M-Lateral Systems

End Fed Carts, 8" and 8-5/8", 4-Wheel Hose Fed, 0129478

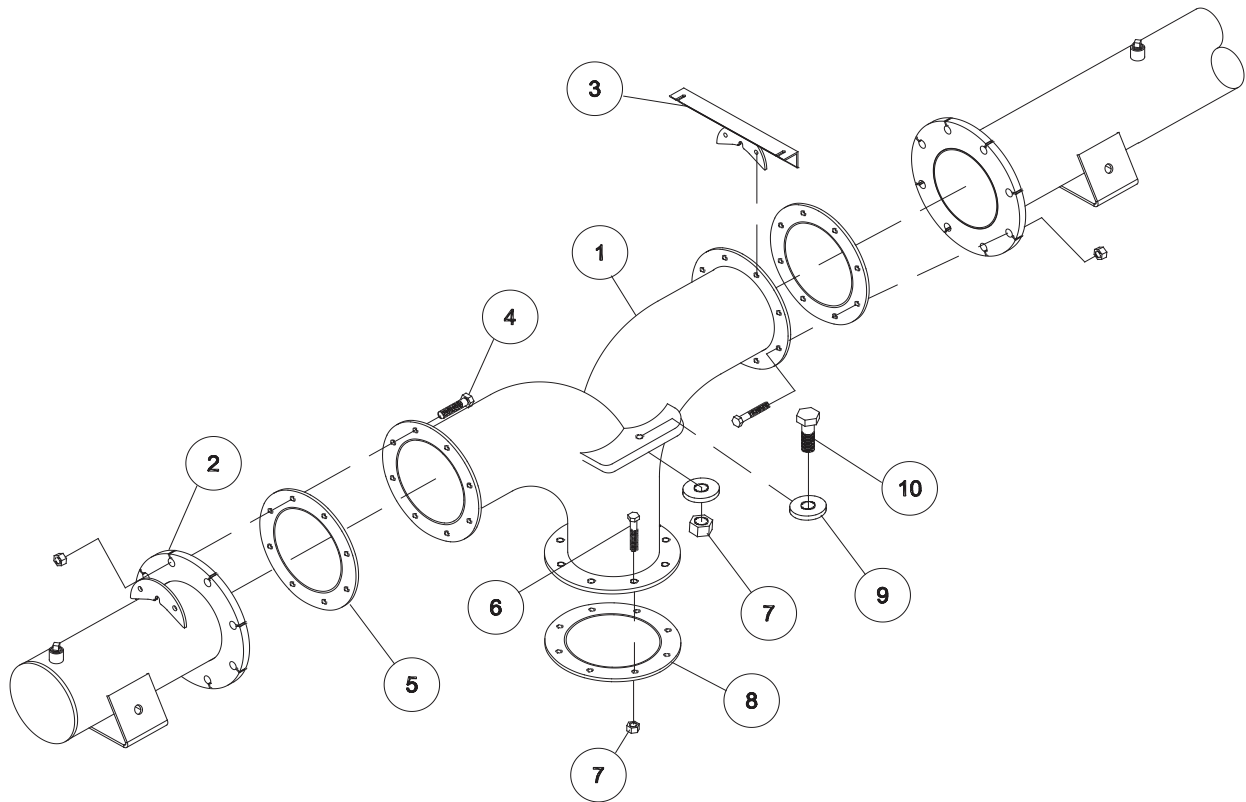


Ref.	Original Part No.	Description
1	0372259	Tee, Weld, Tower End, 8" Intake
2	1087170	Joint, End, 8"
3	1015494	Anchor, Cable, Wide, Combo
4	0602615	Screw, 3/4-10 x 2-1/2", Hex
5	8707333	Gasket, Flange, 8"
6	0608091	Screw, 3/4-10 x 2", Hex
7	0624171	Nut, 3/4-10, Lock
8	0640102	Washer, 3/4", Flat
9	1219750	Screw, 3/4-10 x 2", Controlled



# M-Lateral Systems

End Fed Carts, 6-5/8", 4-Wheel Hose Fed, 0129486



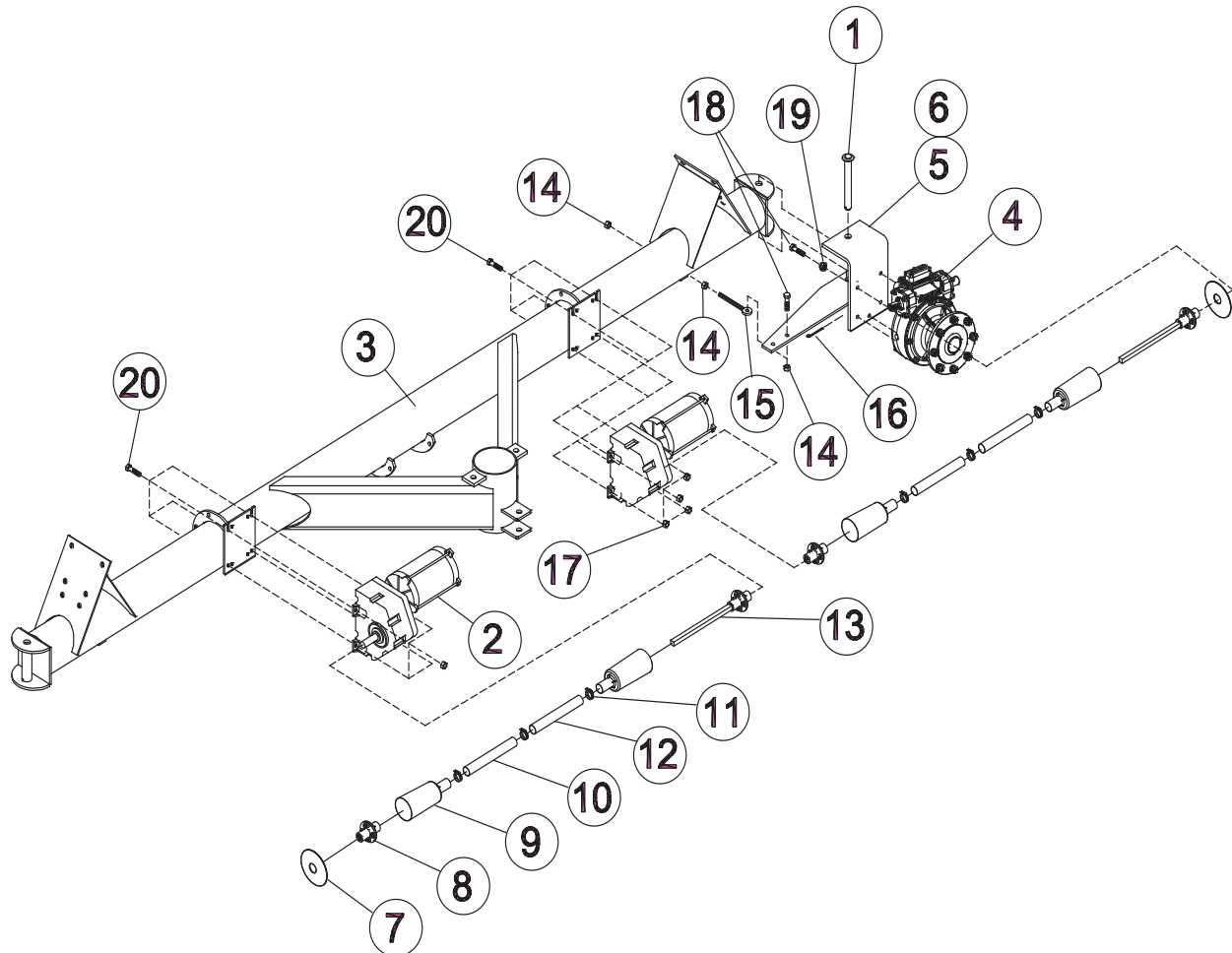
Ref.	Original Part No.	Description
1	0374447	Tee, Weld, Tower End, 6-5/8" Intake
2	1073663	Joint, End, 6-5/8"
3	1015494	Anchor, Cable, Wide, Combo
4	0602615	Screw, 3/4-10 x 2-1/2", Hex
5	8707325	Gasket, Flange, 6"
6	0608091	Screw, 3/4-10 x 2", Hex
7	0624171	Nut, 3/4-10, Lock
8	8707333	Gasket, Flange, 8"
9	0640102	Washer, 3/4", Flat
10	1219750	Screw, 3/4-10 x 2", Controlled



# M-Lateral Systems

Drive Assemblies, Hose Fed Carts

2-Wheel Swivel, 0136069, 0132399, 0132464



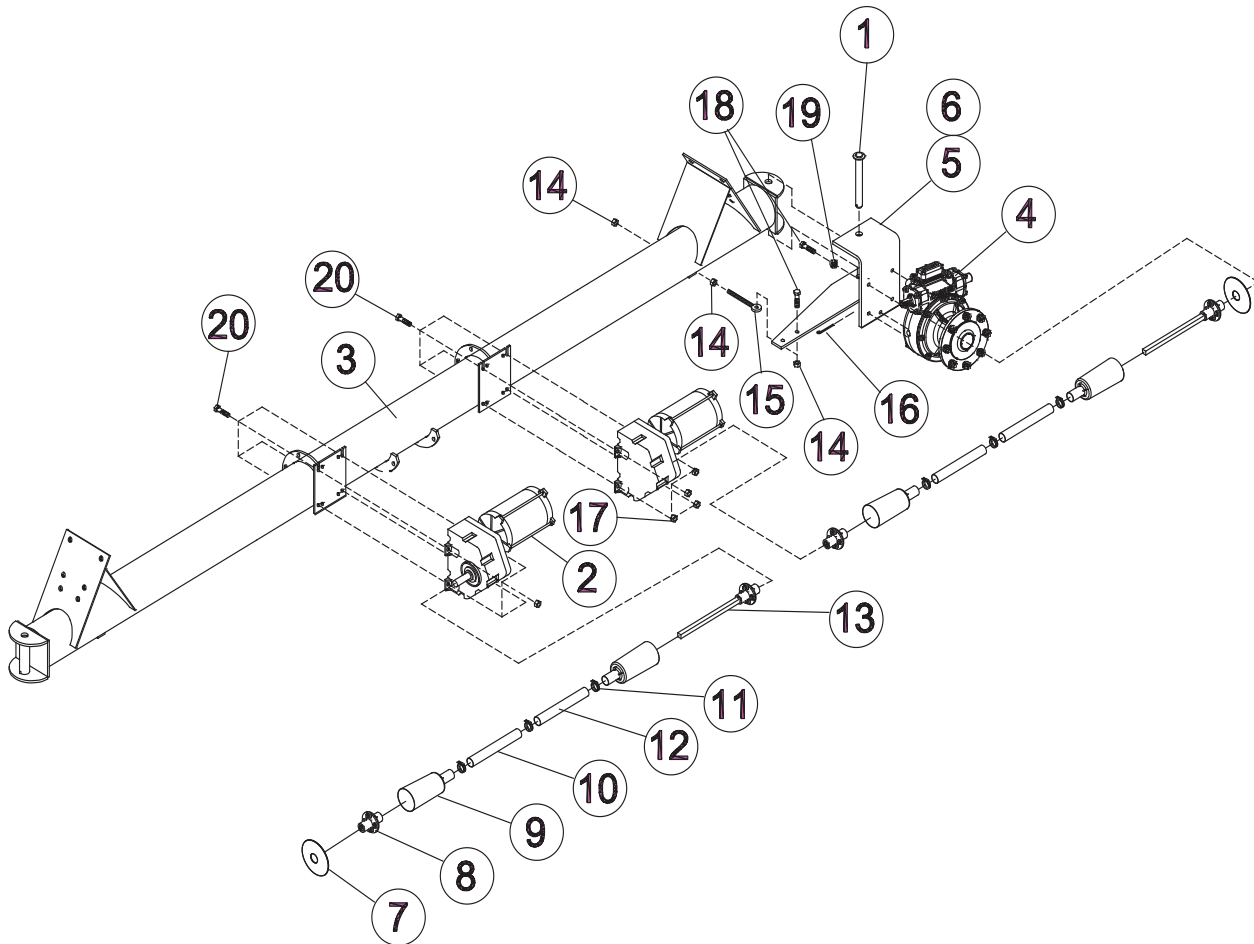
Ref.	Original Part No.	Description
1	0321588	Pin, Gearbox Mount
2	0349845	Motor Ass'y, 1 HP, 30 RPM
3	1123165	Frame, Drive Tube, Hose Intake
4	1610500	Gearbox, Corner, 760U
5	0301101	Mount, Gearbox, Left Hand
6	0301200	Mount Gearbox, Right Hand
7	1493010	Washer, Driveshaft Bell
8	0356840	Coupler, Driveshaft, 1"
9	0635896	Bell, Driveshaft End, 5-1/4"
10	0357046	Tube, DS, 2-11/16" x 37-1/2"

Ref.	Original Part No.	Description
11	2610913	Clamp, Hose, Worm Drive
12	0357038	Tube, DS, 2.8" x 37-1/2"
13	1123876	Shaft, Drive, 1" x 22-1/2"
14	0608240	Nut, 1/2-13, Hex
15	0625228	Rod End, 1/2-13 x 6"
16	0620856	Pin, Cotter, 1/3 x 2-1/4"
17	0634196	Nut, 3/8-16, Flange, Toplock
18	0608042	Screw, 1/2-13 x 1-1/4", Hex
19	0608141	Washer, 1/2", Lock
20	0634154	Screw, 3/8-16 x 2-1/2", Hex



# M-Lateral Systems

2-Wheel, 4 Inlet, 0136077, 0133769, 0134569



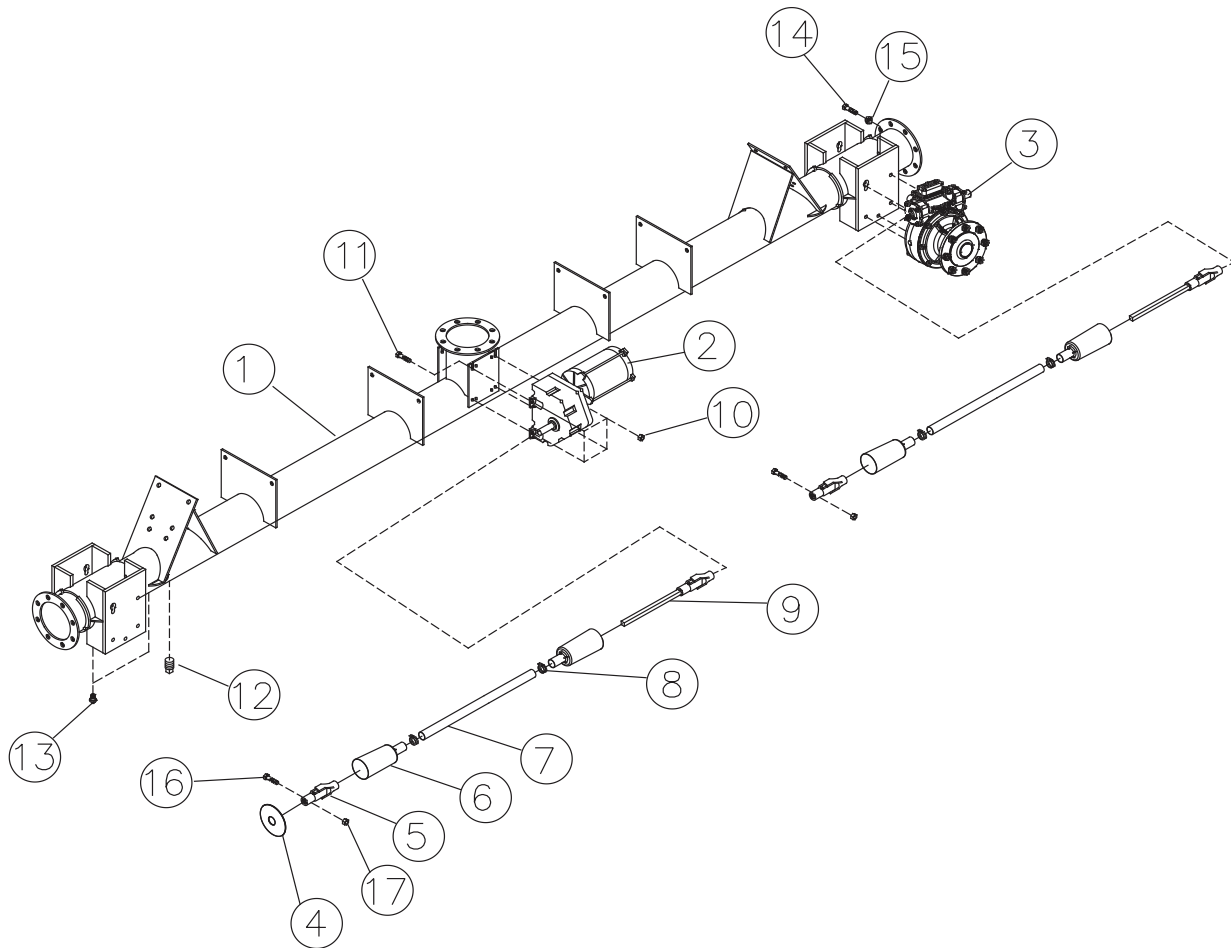
Ref.	Original Part No.	Description
1	0321588	Pin, Gearbox Mount
2	0349845	Motor Ass'y, 1 HP, 30 RPM
3	1135607	Frame, Drive Tube, 4 Inlet
4	1610500	Gearbox, Corner, 760U
5	0301101	Mount, Gearbox, Left Hand
6	0301200	Mount Gearbox, Right Hand
7	1493010	Washer, Driveshaft Bell
8	0356840	Coupler, Driveshaft, 1"
9	0635896	Bell, Driveshaft End, 5-1/4"
10	0357046	Tube, DS, 2-11/16" x 37-1/2"

Ref.	Original Part No.	Description
11	2610913	Clamp, Hose, Worm Drive
12	0357038	Tube, DS, 2.8" x 37-1/2"
13	1123876	Shaft, Drive, 1" x 22-1/2"
14	0608240	Nut, 1/2-13, Hex
15	0625228	Rod End, 1/2-13 x 6"
16	0620856	Pin, Cotter, 1/3 x 2-1/4"
17	0634196	Nut, 3/8-16, Flange, Toplock
18	0608042	Screw, 1/2-13 x 1-1/4", Hex
19	0608141	Washer, 1/2", Lock
20	0634154	Screw, 3/8-16 x 2-1/2", Hex



# M-Lateral Systems

4-Wheel, 0131532, 0129510



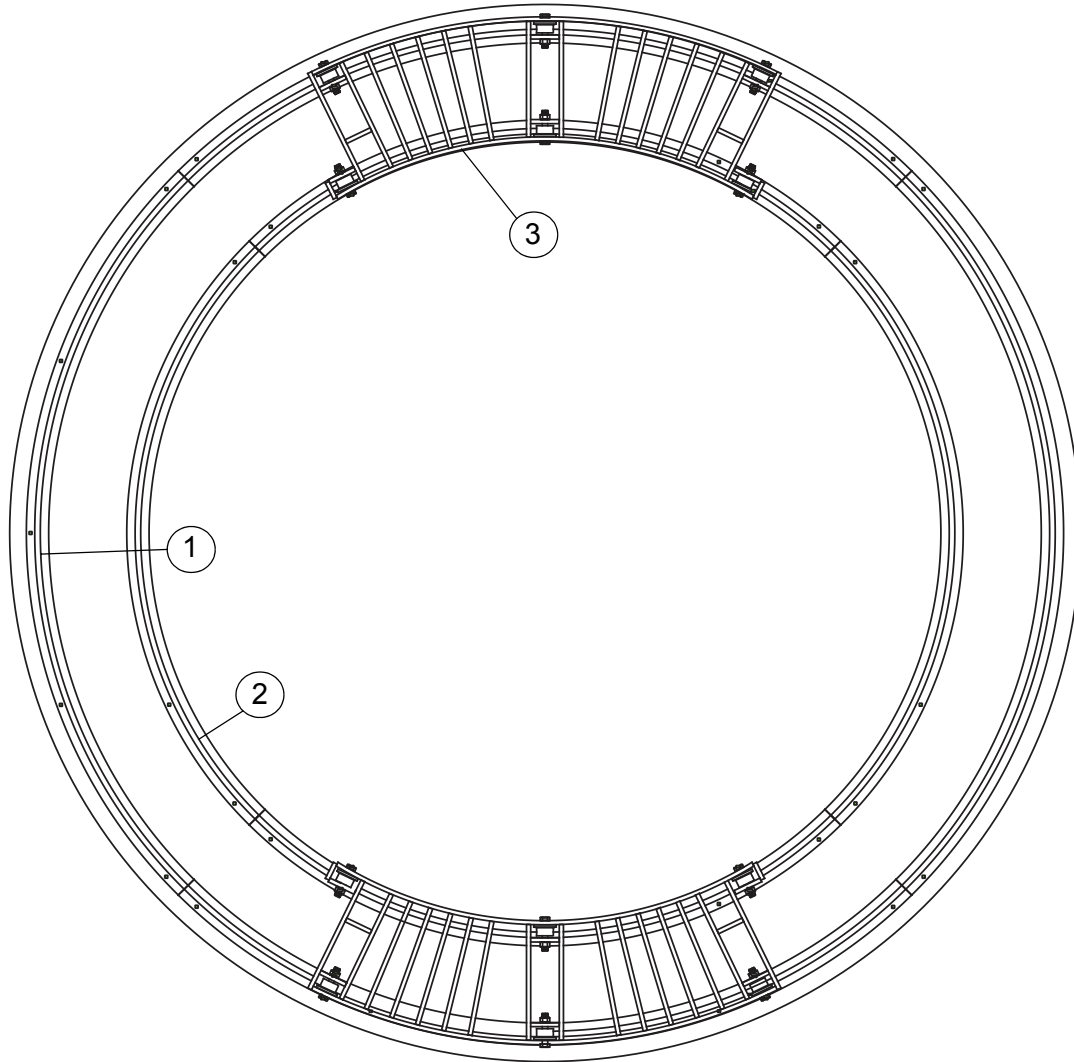
Ref.	Original Part No.	Description
1	1073501	Drive Tube Frame, 4-Wheel
2	0349845	Motor Ass'y, 1 HP, 30 RPM
3	1365040	Gearbox, Corner, 760U
4	1493010	Washer, Driveshaft Bell
5	1049824	Universal Joint, 7/8" Square
6	0643783	Bell, Driveshaft End
7	0644427	Tube, Driveshaft Cover, 54"
8	2610913	Clamp, Hose, Worm Drive
9	1049840	Driveshaft, 7/8", 61-1/8"

Ref.	Original Part No.	Description
10	0634196	Nut, 3/8-16, Flange, Toplock
11	0608034	Screw, 3/8-16 x 1-1/2", Hex
12	0614909	Plug, Pipe, 3/4" Square Head
13	0620609	Fitting, Hydro-Lube, 1/8"
14	0608042	Screw, 1/2-13 x 1-1/4", Hex
15	0608141	Washer, 1/2", Lock
16	0619106	Screw, 3/8-16 x 2", Hex
17	0624205	Nut, 3/8-16, Lock



# M-Lateral Systems

Hose Fed Options  
Pivoting Platform

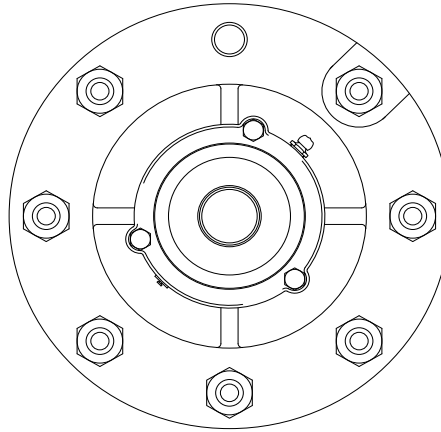
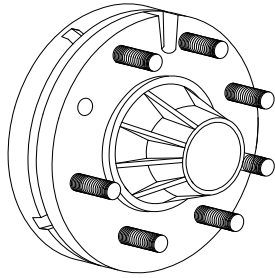


Ref.	Original Part No.	Description
1	1096551	Outside Track, 89" Radius
2	1096544	Inside Track, 71" Radius
3	1096530	Pivot Platform Bogie



# M-Lateral Systems

Free-Wheel Hub, 0637314

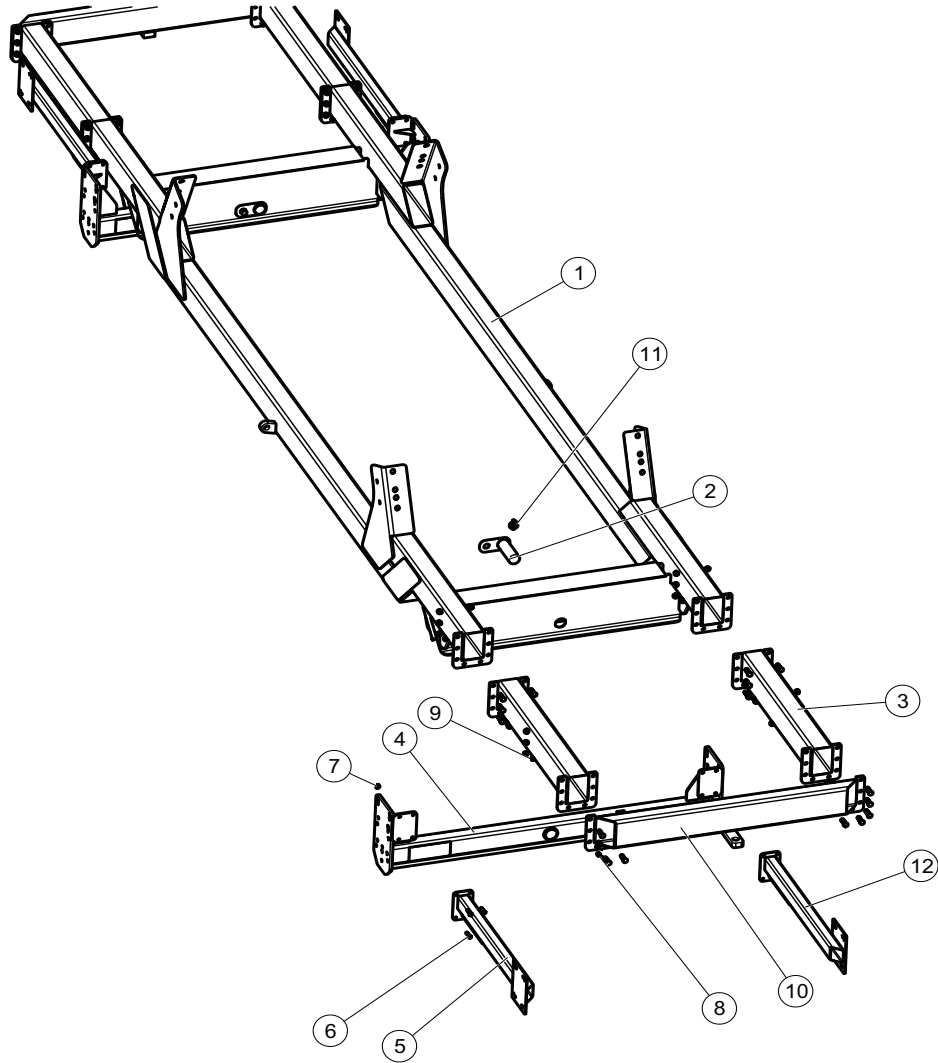




# M-Lateral Systems

## Ditch Fed Laterals

### Transverse Lateral Cart, Frame

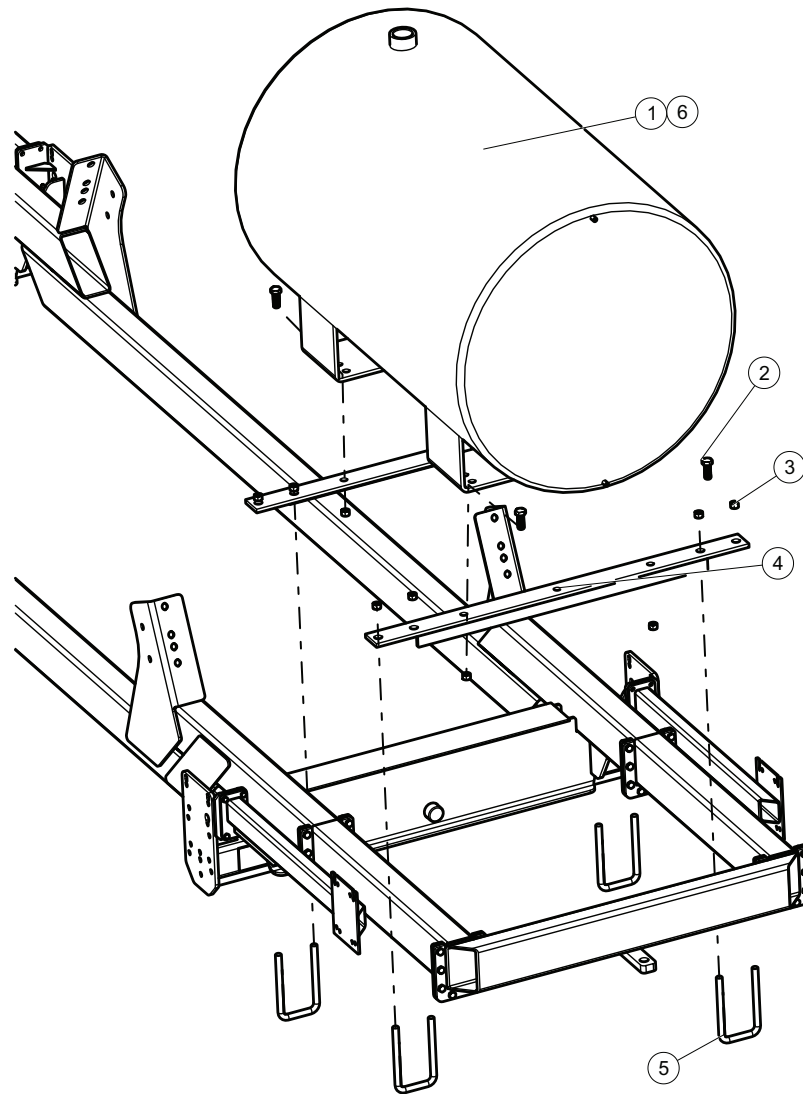


Ref.	Original Part No.	Description
1	1601577	Frame, Weld, 4-Wheel Cart, Lateral
2	1600881	Axle Pin, Weld, 4-Wheel Cart
3	1600949	Extension, Weld, Frame
4	1601570	Axle, Weld, 4-Wheel Cart
5	1601565	Centerdrive, Standoff, Weld, Left
6	0608034	Screw, 3/8-16 x 1-1/2", Hex
7	0634196	Nut, 3/8-16, Hex, Flange
8	0634238	Screw, 1/2-13 x 1-3/4", Hex
9	0624189	Nut, 1/2-13, Lock
10	1600944	Extension Tie, Weld, 4-Wheel Cart
11	1603867	Pin, Locking, 5/16" x 1.25"
12	1601564	Centerdrive Standoff, Weld, Right



# M-Lateral Systems

## Transverse Lateral Cart, Fuel Tank

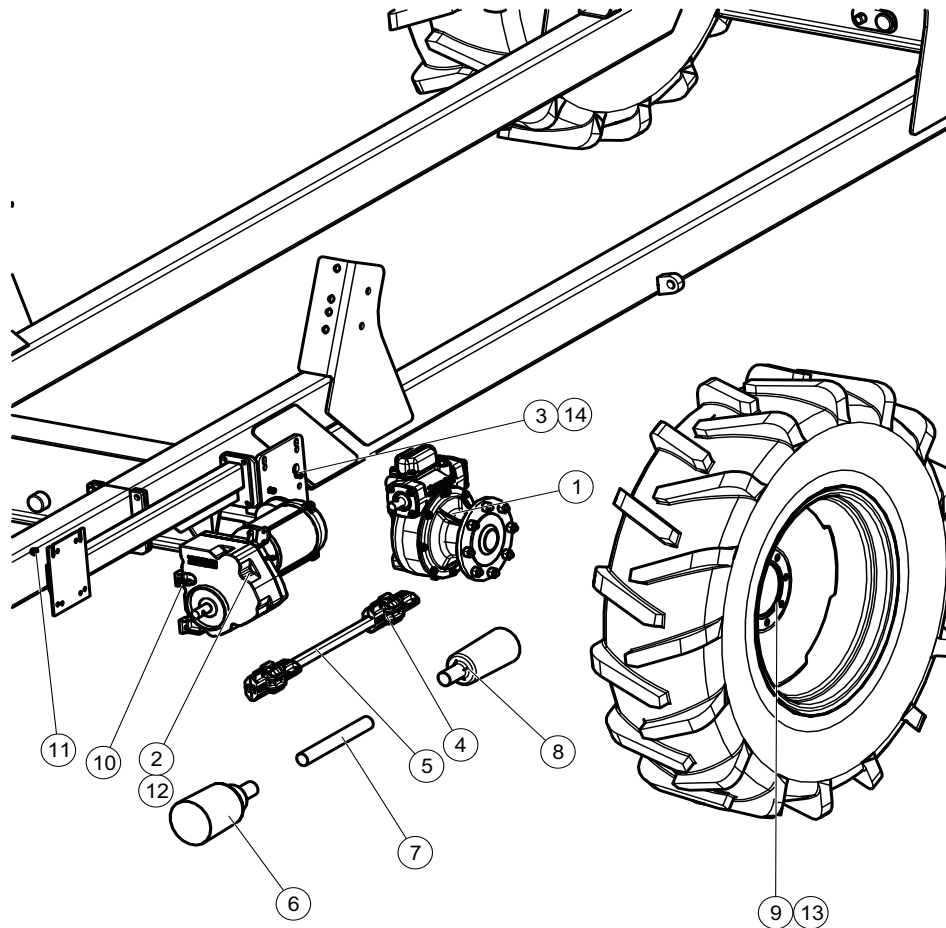


Ref.	Original Part No.	Description
1	0641977	Tank, Fuel, 300 Gal., 4-Wheel Cart
2	0608091	Screw, 3/4-10 x 2", Hex
3	0624171	Nut, 3/4-10, Lock
4	1601369	Mount, Weld, Fuel Tank
5	0641969	Bolt, u, 3/4-10 x 8-3/8"
6	0633271	Tank, Fuel, 150 Gal., 4-Wheel Cart
7	0357087	Kit, Plumbing, Fuel Tank



# M-Lateral Systems

## Transverse Lateral Cart, Drive Unit

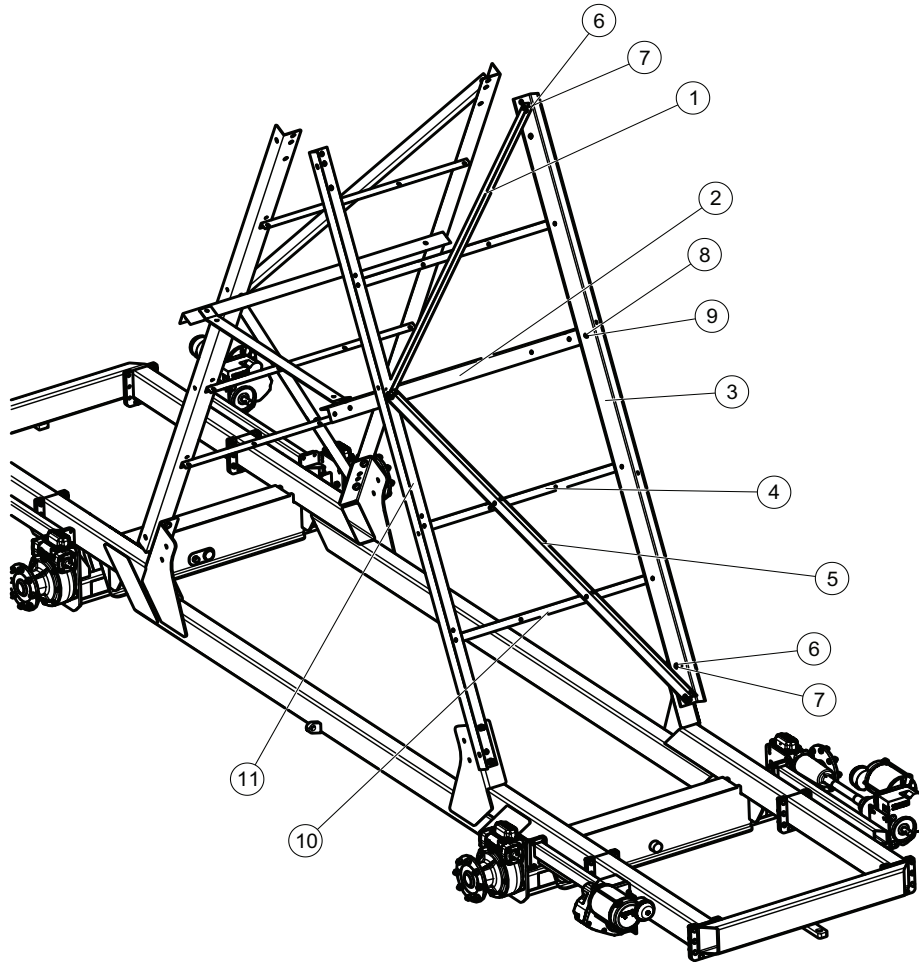


Ref.	Original Part No.	Description
1	1365040	Gearbox, CD, Model 760
2	0341842	Motor Ass'y, 3/4 HP, 43 RPM, Center Fed
3	0608042	Screw, 1/2-13 x 1-1/4", Hex
4	1004357	Coupler Ass'y, 7/8"
5	1600883	Drive Shaft, 7/8" x 18"
6	0635896	Bell, Drive Shaft End, 5-1/4"
7	0643791	Tube, Drive Shaft, 1-1/2 x 1/2"
8	1098680	Bell, Drive Shaft End, Lateral
9	1046861	Wheel Ass'y, 14.9 x 24, Right
10	0634154	Screw, 3/8-16 x 1-1/4, Hex
11	0634196	Nut, 3/8-16, Hex, Flange
12	0349845	Motor Ass'y, 1 HP, 30 RPM, End Fed
13	1046879	Wheel Ass'y, 14.9 x 24, Left
14	0608141	Washer, 1/2", Lock



# M-Lateral Systems

## Transverse Lateral Cart, Standard Cart Tower

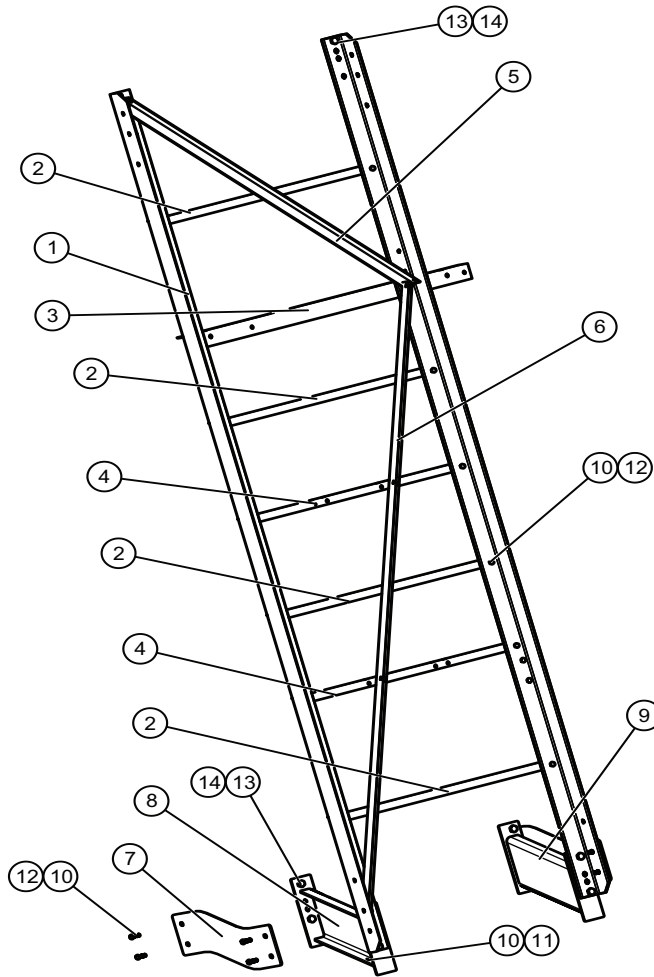


Ref.	Original Part No.	Description
1	0372409	Brace, Medium, 66-1/2"
2	0370346	Tie, Tower, Stabilizer
3	0307298	Leg, Tower, 10'-5"
4	0372417	Tie, Tower, 47"
5	0370320	Brace, Long, 88-1/2"
6	0608091	Screw, 3/4-10x 2", Hex
7	0624171	Nut, 3/4-10, Lock
8	0608059	Screw, 1/2-13 x 2", Hex
9	0624189	Nut, 1/2-13 Lock
10	0372425	Tie, Brace, 16"
11	0307314	Leg, Tower, Long



# M-Lateral Systems

## Transverse Lateral Cart, High-Clearance Cart Tower

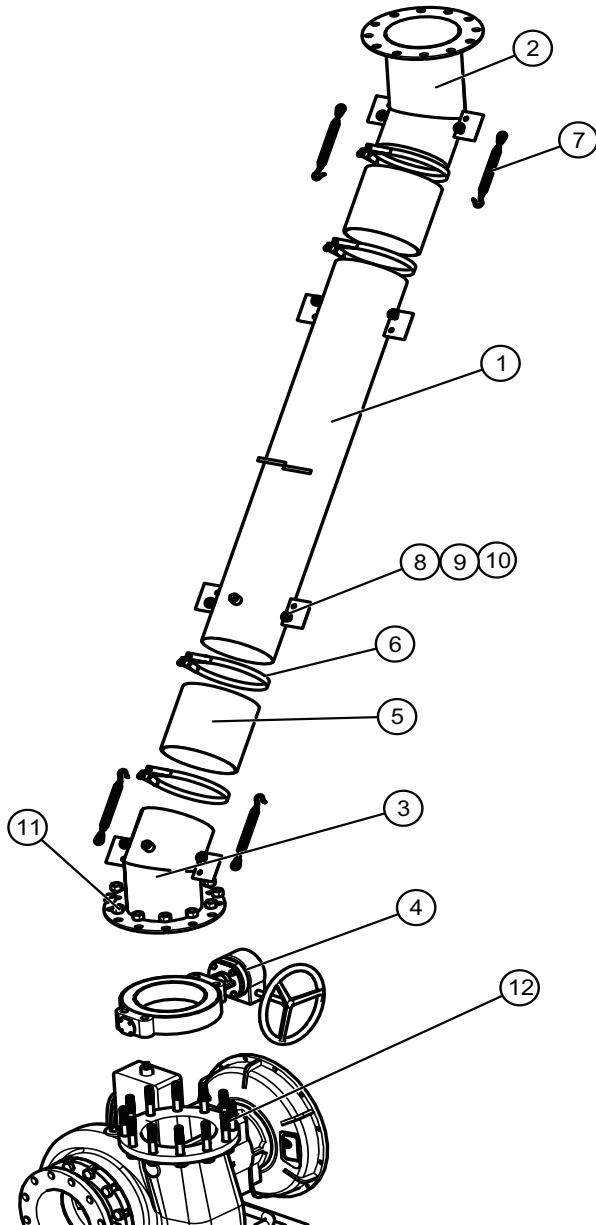


Ref.	Original Part No.	Description
1	1603624	Angle, Tower Leg, High Clearance
2	0370502	Angle, Tie, Tower, 47"
3	0370346	Angle, Tie, Tower, Stabilizer
4	1605533	Angle, Tie, Tower, 47"
5	0372409	Angle, Brace, Medium, 66-1/2"
6	1603740	Angle, Brace, Long, 123-1/8"
7	1603623	Plate, Shear, High Clearance
8	1603618	Weldment, Bracket, High Clearance, Left
9	1603619	Wledment, Bracket, High Clearance, Right
10	2607604	Screw, 1/2-13 x 1-1/2", Hex
11	0608430	Washer, 1/2", Flat
12	0624189	Nut, 1/2-13, Lock
13	0608091	Screw, 3/4-10 x 2", Hex
14	0624171	Nut, 3/4-10, Lock



# M-Lateral Systems

## Riser Assembly, 10", Ditch Fed

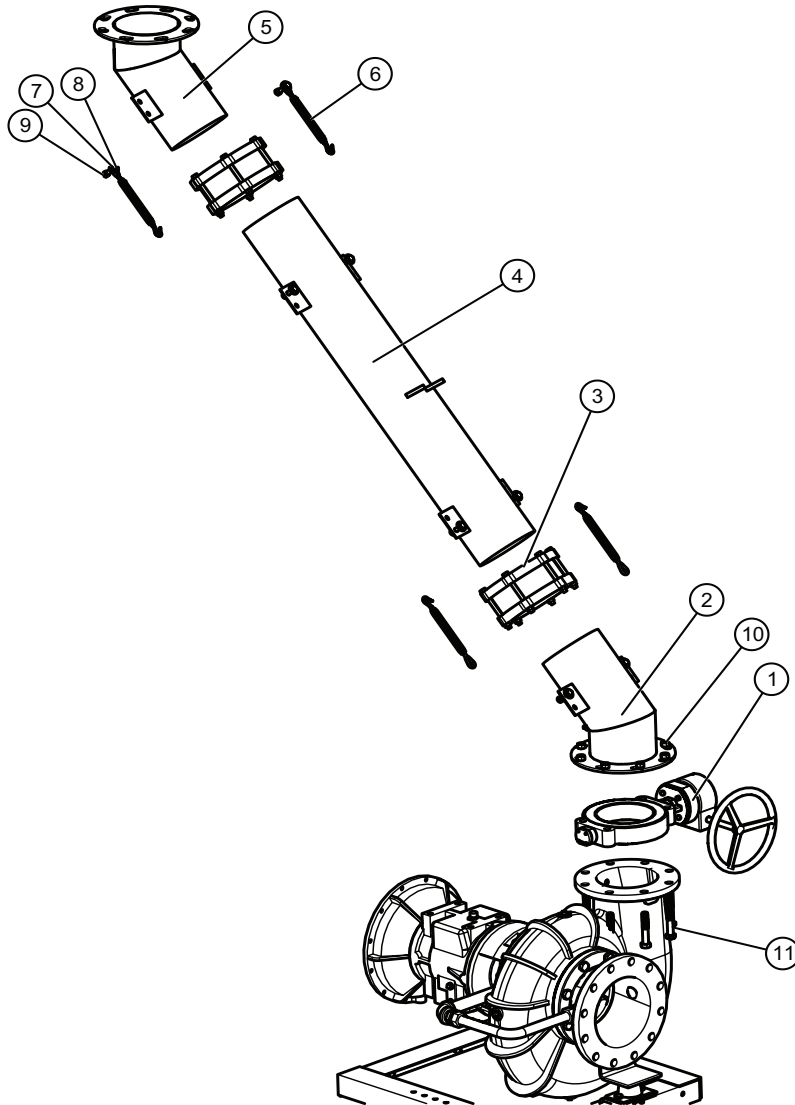


Ref.	Original Part No.	Description
1	1601093	Pipe, Weldment, 10" Discharge
2	1601090	Elbow, Upper, 10" x 22.5 Degree
3	1601089	Elbow, Lower, 10" x 22.5 Degree
4	1361980	Valve, Butterfly, 10" G.O., Fresno
5	0646984	Hose, 150 PSI, 10"
6	0646992	Clamp, T-Bolt, 10"
7	0620823	Turnbuckle, 1/2 x 6", Hook & Eye
8	0624189	Nut, 1/2-13, Lock
9	0608059	Screw, 1/2-13 x 2", Hex
10	0608430	Washer, 1/2", Flat
11	0637199	Nut, 7/8-9, Hex
12	1224040	Screw, 7/8-9, 2-1/4", Hex



# M-Lateral Systems

## Riser Assembly, 8-5/8", Ditch Fed

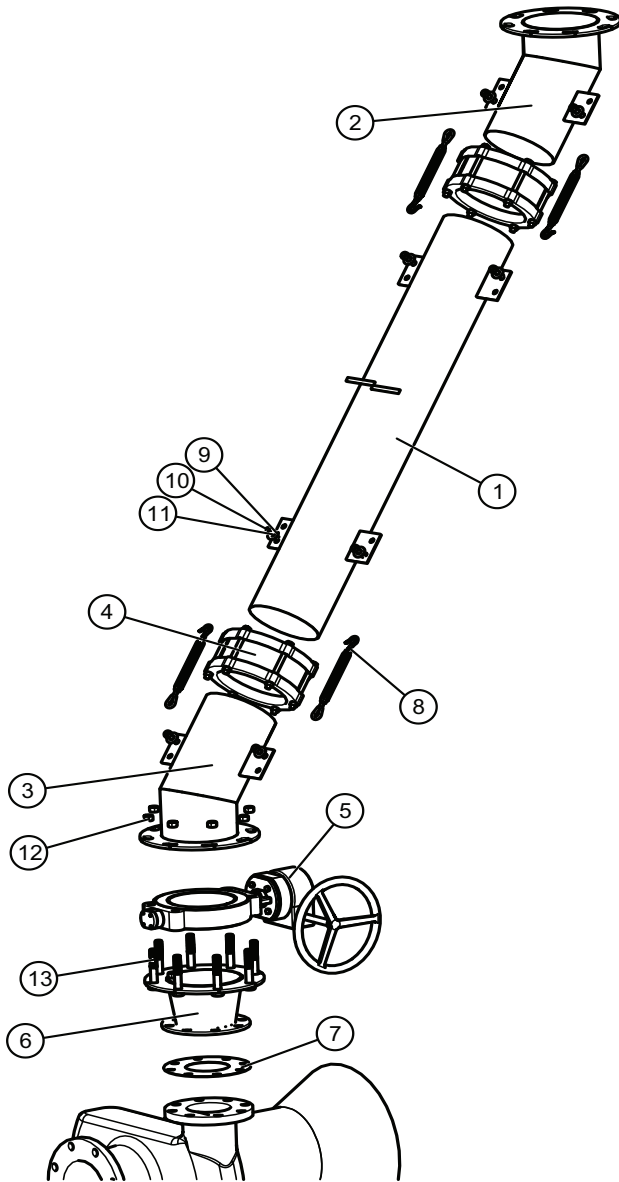


Ref.	Original Part No.	Description
1	1361960	Valve, Butterfly, 8", G.O., Fresno
2	1603860	Elbow, Lower, 8-5/8" x 20 Degree
3	0633800	Coupler, Dressing, 8-5/8"
4	0355503	Pipe, Weldment, Discharge
5	1603861	Elbow, Upper, 8-5/8" x 20 Degree
6	0620823	Turnbuckle, 1/2 x 6", Hook & Eye
7	0608059	Screw, 1/2-13 x 2", Hex
8	0608430	Washer, 1/2", Flat
9	0624189	Nut, 1/2-13, Lock
10	0624171	Nut, 3/4-10, Hex
11	0640078	Screw, 3/4-10 x 4-1/2", Hex



# M-Lateral Systems

## Riser Assembly, 6-5/8" to 8-5/8", Transition, Ditch Fed

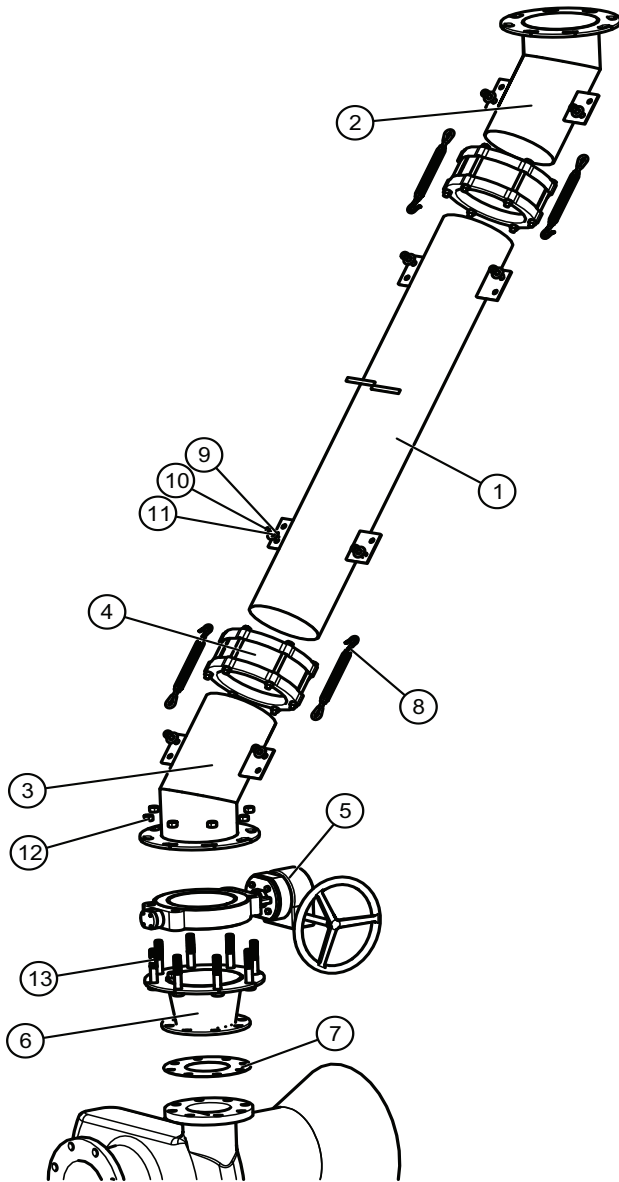


Ref.	Original Part No.	Description
1	0355503	Pipe, Weldment, Discharge
2	1603861	Elbow, Upper, 8-5/8" x 20 Degree
3	1603860	Elbow, Lower, 8-5/8" x 20 Degree
4	0633800	Coupler, Dressing, 8-5/8"
5	1361960	Valve, Butterfly, 8", G.O., Fresno
6	0352138	Reducer, Pipe, 8 to 6-5/8"
7	8707325	Gasket, Flange, 6" x 11"
8	0620823	Turnbuckle, 1/2 x 6", Hook & Eye
9	0624189	Nut, 1/2-13, Lock
10	0608430	Washer, 1/2", Flat
11	0608059	Screw, 1/2-13 x 2", Hex
12	0624171	Nut, 3/4-10, Hex
13	0640078	Screw, 3/4-10 x 4-1/2", Hex



# M-Lateral Systems

## Riser Assembly, 5-9/16" to 8-5/8", Transition, Ditch Fed

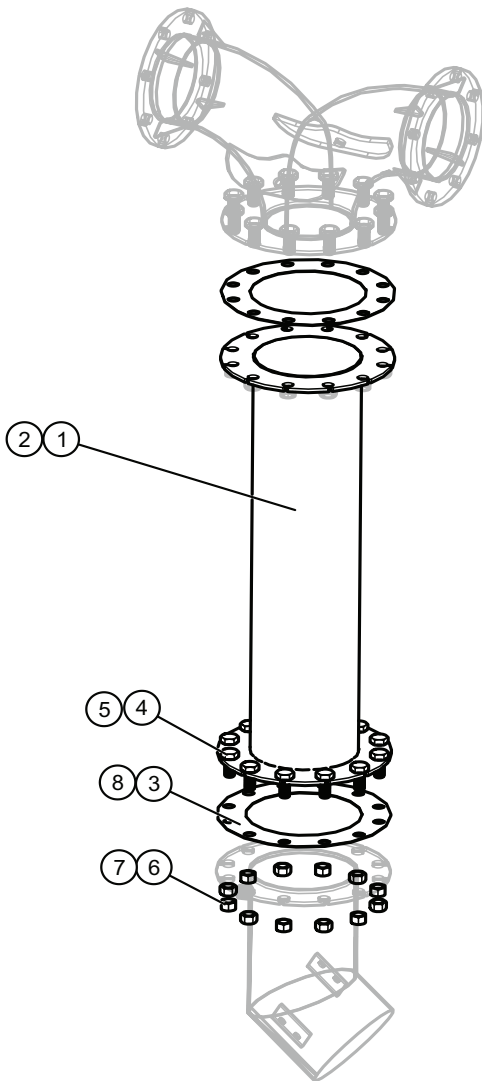


Ref.	Original Part No.	Description
1	0355503	Pipe, Weldment, Discharge
2	1603861	Elbow, Upper, 8-5/8" x 20 Degree
3	1603860	Elbow, Lower, 8-5/8" x 20 Degree
4	0633800	Coupler, Dressing, 8-5/8"
5	1361960	Valve, Butterfly, 8", G.O., Fresno
6	0379511	Reducer, Pipe, 8 to 5-9/16"
7	8707317	Gasket, Flange, 5" x 10"
8	0620823	Turnbuckle, 1/2 x 6", Hook & Eye
9	0624189	Nut, 1/2-13, Lock
10	0608430	Washer, 1/2", Flat
11	0608059	Screw, 1/2-13 x 2", Hex
12	0624171	Nut, 3/4-10, Hex
13	0640078	Screw, 3/4-10 x 4-1/2", Hex



# M-Lateral Systems

High Clearance Riser Extension, 0184270 (10") & 0184260 (8-5/8"), Ditch Fed



Ref.	Original Part No.	Description
1	1605540	Pipe, Extension, Riser, 10"
2	1605556	Pipe, Extension, Riser, 8-5/8"
3	0634105	Gasket, Flange, 10"
4	1224040	Screw, 7/8-0 x 2-1/4", Hex
5	0608091	Screw, 3/4-10 x 2", Hex
6	0637199	Nut, 7/8-9, Lock
7	0624171	Nut, 3/4-10, Lock
8	8707333	Gasket, Flange, 8"



## M-Lateral Systems

### Transverse Cart, Ditch Fed Power Units

Includes Engine, Pump and Generator

Ref.	Original Part No.	Description
1	0183250	Power Unit, N45MSSX, MA10KWGEN
2	0183260	Power Unit, N45MSTX, 10KWGEN, 5RB
3	0183270	Power Unit, N45MSTX, 15KWGEN, 5RB
4	0183280	Power Unit, N67MNTX, 15KWGEN, 5RB
5	0183290	Power Unit, N67MNTX, 20KWGEN, 5RB
6	0183300	Power Unit, N67MNTX, 15KWGEN, 6RB
7	0183310	Power Unit, N67MNTX, 20KWGEN, 6RB
8	0813320	Power Unit, N67ENTX, 15KWGEN, 6RB
9	0183330	Power Unit, N67ENTX, 20KWGEN, 6RB
10	0183340	Power Unit, C87ENTX, 15KWGEN, 6RB
11	0183350	Power Unit, C87ENTX, 20KWGEN, 6RB
12	0183360	Power Unit, N67MNTX, 15KWGEN, 8RB
13	0183370	Power Unit, N67MNTX, 20KWGEN, 8RB
14	0183380	Pump Unit, N67ENTX, 15KWGEN, 8RB
15	0183390	Pump Unit, N67ENTX, 20KWGEN, 8RB
16	0183440	Pump Unit, C87ENT350, 20KW, 8RB
17	0183450	Power Unit, C87ENT350, 15KW, 8RB
18	0183480	Power Unit, C87ENT350, 15KW, 10RB
19	0183490	Power Unit, C87ENT350, 20KW, 10RB

### In-Line Cart, Ditch Fed Power Units

Includes Engine, Pump and Generator

Ref.	Original Part No.	Description
1	0302646	Power Unit, 6329D, 6012, 10 KW
2	0302729	Power Unit, 6329D, 6012, 5 KW
3	0302653	Power Unit, 6414T, 6012, 10 KW
4	0302737	Power Unit, 6414T, 6012, 5 KW
5	0302661	Power Unit, 6414T, 6RB, 10 KW
6	0302745	Power Unit, 6416T, 6RB, 5 KW
7	0302679	Power Unit, 6466A, 6RB, 10 KW
8	0302752	Power Unit, 6466A, 6RB, 5 KW
9	0302760	Power Unit, 3200-150, 6RB, 5 KW
10	0302778	Power Unit, 3200-175, 6RB, 5 KW
11	0302687	Power Unit, 3208-175, 6RB, 10 KW
12	0302893	Power Unit, 3208-150, 6RB, 10 KW
13	0372177	Power Unit, 3208-175, 6RB, 15 KW
14	0372185	Power Unit, 3208-150, 6RB, 15 KW
15	0372193	Power Unit, 3208-175, 6RB, 20 KW
16	0372201	Power Unit, 3208-150, 6RB, 20 KW
17	0302695	Power Unit, 3306T, 6RB, 10 KW
18	0302786	Power Unit, 3306T, 6RB, 5 KW
19	0372219	Power Unit, 3306T, 6RB, 20 KW
20	0378331	Power Unit, 3306T, 6RB, 15 KW
21	0372094	Power Unit, 4045T, 5RB, 10 KW
22	0372102	Power Unit, 4045T, 5RB, 15 KW
23	0302711	Power Unit, 4239D, 5RB, 5 KW
24	0302638	Power Unit, 4239D, 5RB, 10 KW
25	0372086	Power Unit, 4239D, 5RB, 10 KW
26	0372136	Power Unit, 6068T, 6RB, 15 KW
27	0372144	Power Unit, 6068T, 6RB, 20 KW
28	0372110	Power Unit, 6068T, 5RB, 15 KW
29	0372128	Power Unit, 6068T, 5RB, 20 KW
30	0372151	Power Unit, 6076TA, 6RB, 15KW
31	0372169	Power Unit, 6076TA, 6RB, 20 KW

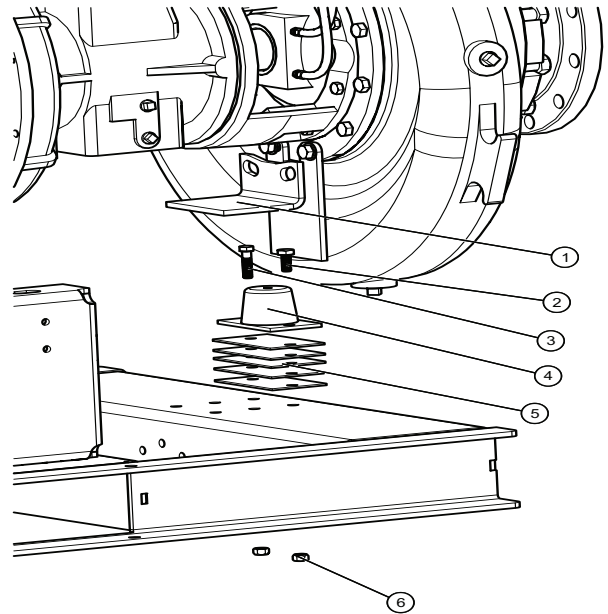


# M-Lateral Systems

## Pump Isolators, Transverse Ditch Fed Cart Only

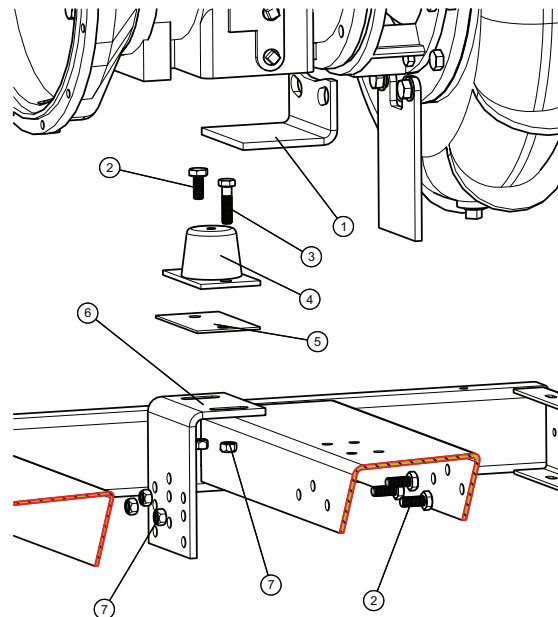
For C87 with 8H and 10RB Pumps

Ref.	Original Part No.	Description
1	1603872	Support, Pump, Flange
2	0608042	Screw, 1/2-13 x 1-1/4", Hex
3	0608059	Screw, 1/2-13 x 2", Hex
4	0633842	Mount, Vibration, Isolator, Compress
5	0452441	Shim, 1/8", Pump Support
6	0624189	Nut, 1/2-13, Lock



For all other pump configurations

Ref.	Original Part No.	Description
1	1603872	Support, Pump, Flange
2	0608042	Screw, 1/2-13 x 1-1/4", Hex
3	0608059	Screw, 1/2-13 x 2", Hex
4	0633842	Mount, Vibration, Isolator, Compress
5	1603873	Support, Pump, Isolator Mount
6	0624189	Nut, 1/2-13, Lock
7	0452441	Shim, 1/8", Pump Support

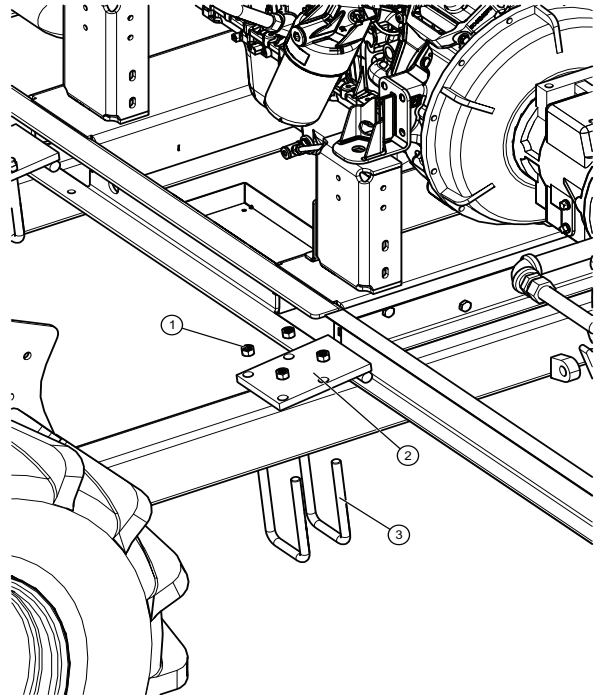




# M-Lateral Systems

## Engine Mounting, Transverse Ditch Fed Cart Only

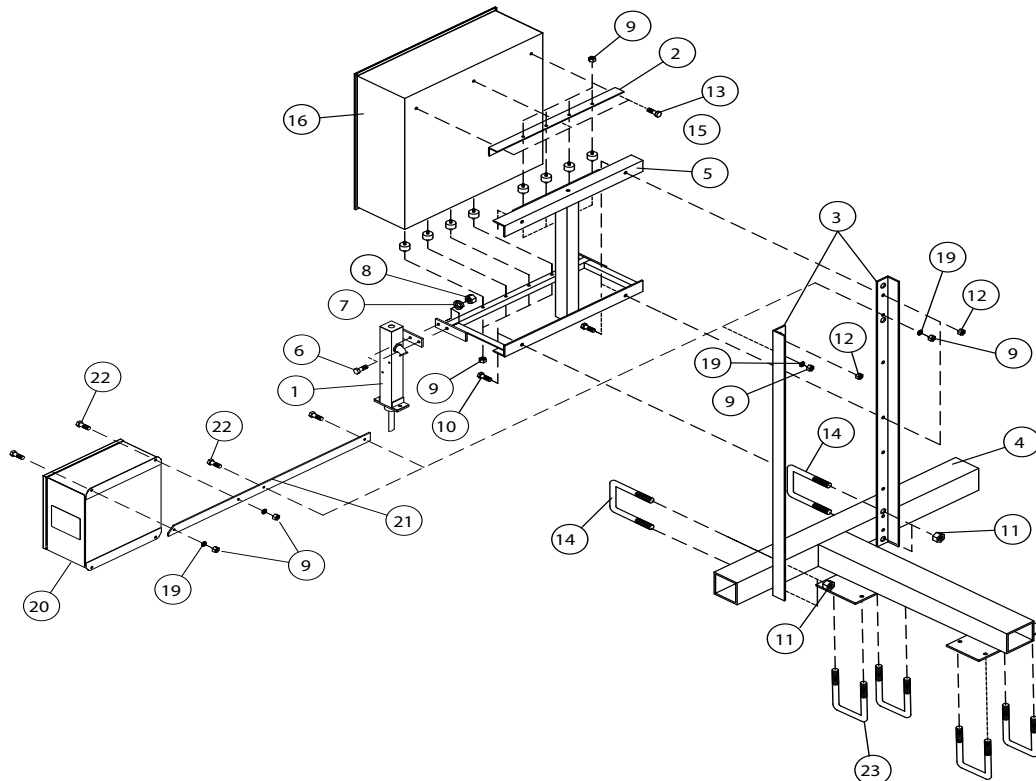
Ref.	Original Part No.	Description
1	0641969	Bolt, U, 3/4-10 x 8-3/8"
2	1603456	Clamp, Edge
3	0624171	Nut, 3/4-10, Lock





# M-Lateral Systems

## Main Mounting, Transverse Ditch Fed Cart Only



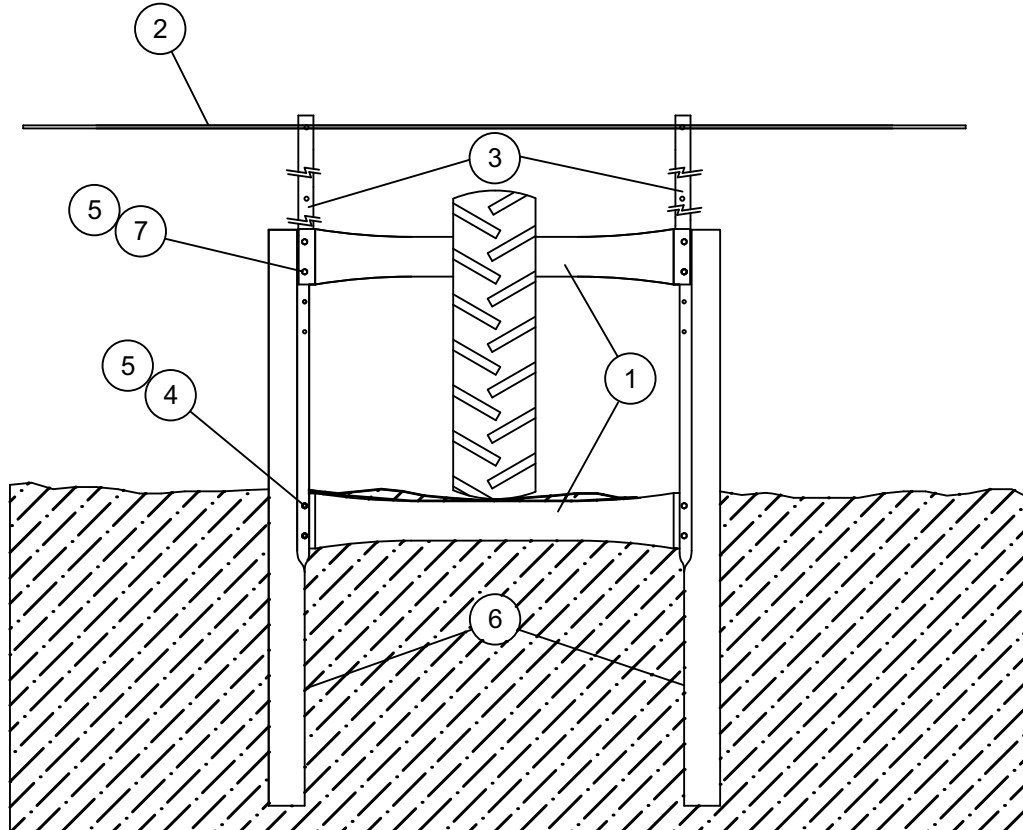
Ref.	Original Part No.	Description
1	0358952	Switch-Quill Ass'y, Safety
2	0359919	Mount, Angle, Main Panel
3	1601312	Mount, Support, Panel
4	1601365	Mount, Weld, Panel, 4WC
5	0465047	Bracket, Main panel
6	0608026	Screw, 5/16-18 x 1", Hex
7	0608125	Washer, 5/16", Lock
8	0608224	Nut, 5/16-18, Hex
9	0608414	Nut, 1/4-20, Hex
10	0622217	Screw, 3/8-16 x 1", Hex
11	0624171	Nut, 3/4-10, Lock
12	0624205	Nut, 3/8-16, Lock

Ref.	Original Part No.	Description
13	0631481	Screw, 1/4-20 x 5/8", Hex
14	0635391	Bolt, U, 3/4-10 x 6-3/8"
15	0638494	Mount, Rubber
16	1131358	Panel, BASIC
17	1600500	Panel, VISION, 380V
18	1600501	Panel, VISION, 480V
19	0615104	Washer, 1/4", FLat
20	1601338	Panel, Switch, Intake
21	1601323	Bar, Aux.Panel, Mount
22	0639369	Screw, 1/4-20 x 1", Hex
23	0641969	Bolt, U, 3/4-10 x 8-3/8"



# M-Lateral Systems

## Barricade Assembly, All Laterals

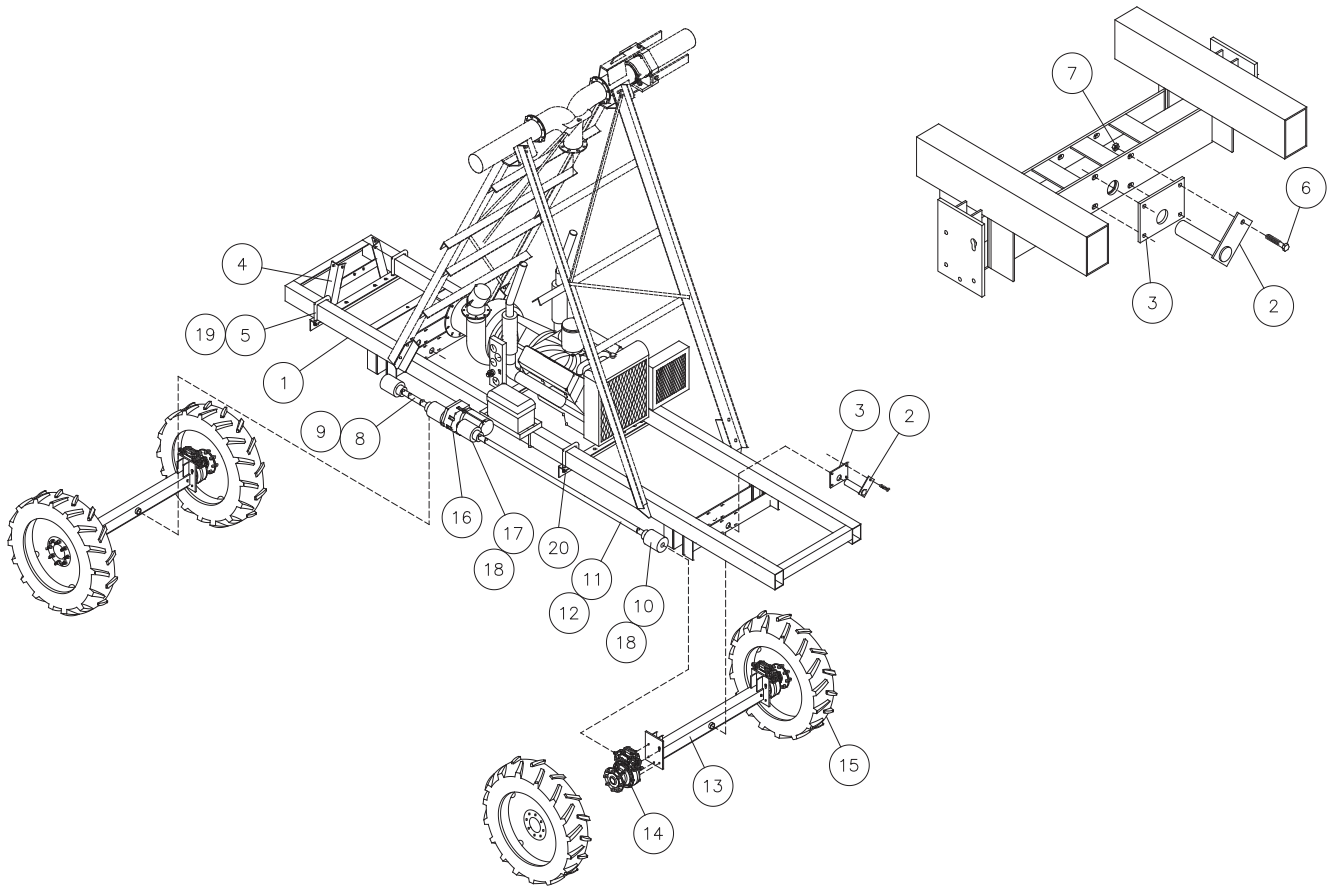


Ref.	Original Part No.	Description
1	0353888	Tube, Horizontal, C-Fence
2	0452052	Rod, Safety Trip, 10'
3	0452060	Bracket, Safety Trip, 52"
4	0608042	Screw, 1/2-13 x 1-1/4", Hex
5	0624189	Nut, 1/2-13, Lock
6	1337990	Post, Barricade, Vertical
7	2607604	Screw, 1/2-13 x 1-1/2" Hex



# M-Lateral Systems

## In-Line Ditch Fed Cart 0118828, Frame



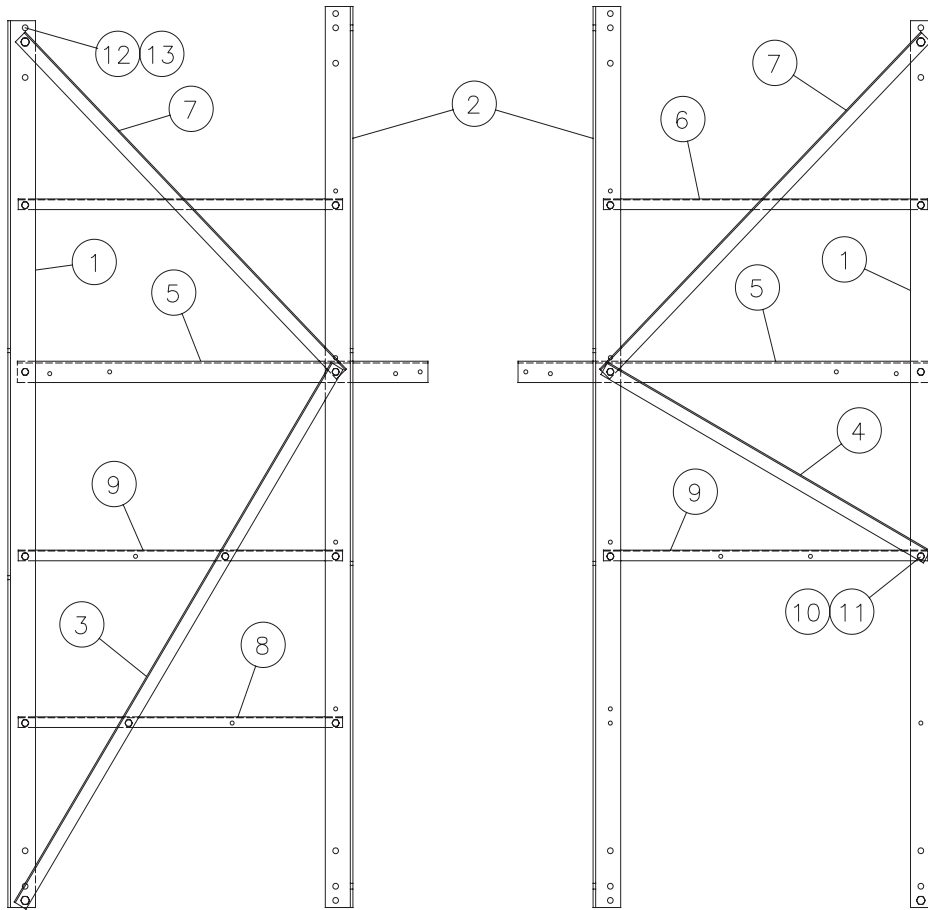
Ref.	Original Part No.	Description
1	0371864	Cart Frame
2	0472050	Pin, Wheel Alignment
3	0370494	Plate, Axle Locator
4	0376285	Intake Mount
5	0641969	Bolt, U, 3/4-10 x 8-3/8"
6	0608059	Screw, 1/2-13 x 2", Hex
7	0624189	Nut, 1/2-13, Lock
8	0412932	Drive Shaft, Short, 7/8" x 23-1/4"
9	0643791	Drive Shaft Cover, 1-1/2" x 96"
10	1004357	Coupler Kit, 7/8", 77-1/2"
11	0412924	Drive Shaft, Long, 7/8" x 77-1/2"

Ref.	Original Part No.	Description
12	0643809	Drive Shaft Cover, 1-1/2" x 96"
13	0370452	Axle Weldment
14	1399530	Gearbox, Non-Tow
15	1046861	Wheel Ass'y, 14.9 x 24, Right
	1046879	Wheel Ass'y, 14.9 x 24, Left
16	0349845	Centerdrive Motor, 1 HP, 30 RPM
17	0635896	Bell Cover, Gearbox End, 5-1/4"
18	0643783	Bell Cover, Drive End, 4-1/8"
19	0624171	Nut, 3/4-10, Lock
20	0355875	Engine Support



# M-Lateral Systems

## In-Line Ditch Fed Cart 0118828, Tower

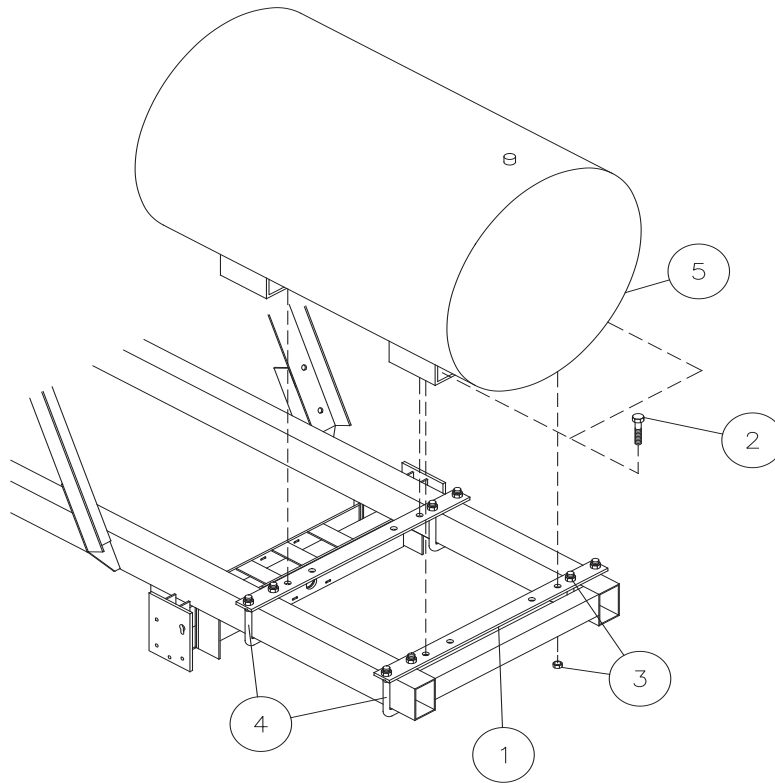


Ref.	Original Part No.	Description
1	0307298	Leg, Tower, Short
2	0307314	Leg, Tower, Long
3	0370320	Brace, Diagonal, Bottom, Long
4	0370338	Brace, Diagonal, Bottom, Short
5	0370346	Tie, Stabilizer
6	0370502	Tie, Top
7	0372409	Brace, Diagonal, Top
8	0372417	Tie, Bottom, 16"
9	0372425	Tie, 2nd from Bottom, 16"
10	0608398	Screw, 5/8-11 x 1-1/2", Hex
11	0624163	Nut, 5/8-11, Lock
12	0624171	Nut, 3/4-10, Lock
13	0608091	Screw, 3/4-10 x 2", Hex



# M-Lateral Systems

## In-Line Ditch Fed Cart 0118828, Fuel Tank

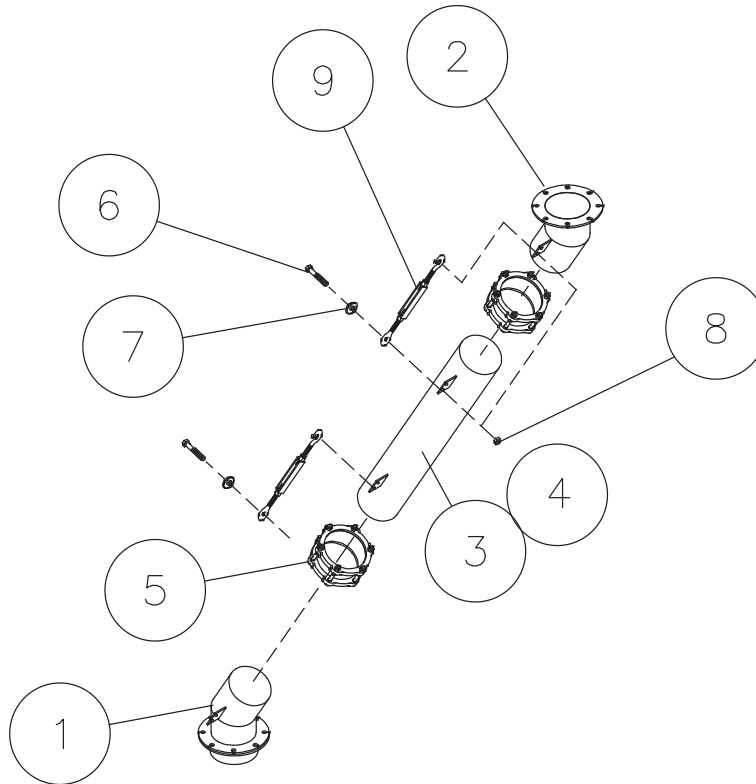


Ref.	Original Part No.	Description
1	0372011	Mount, Fuel Tank
2	0608091	Screw, 3/4-10 x 2", Hex
3	0624171	Nut, 3/4-10, Lock
4	0641969	Bolt, U, 3/4-10 x 8-3/8"
5	0641977	Tank, Fuel, 300 Gallon



# M-Lateral Systems

## In-Line Ditch Fed Cart, Riser

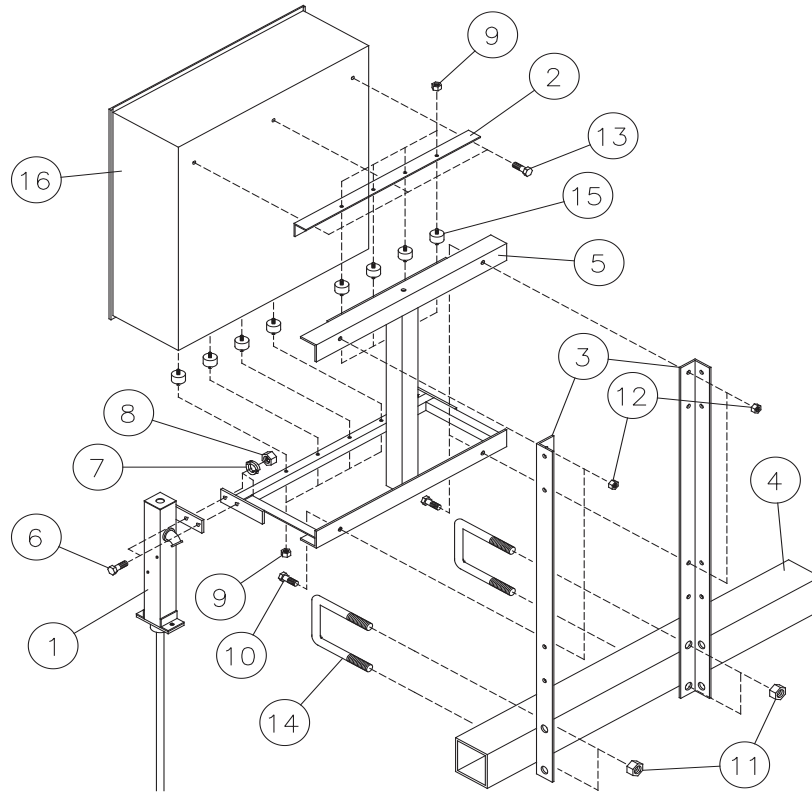


Ref.	Original Part No.	Description
1	0351627	Elbow, Weld, 8-5/8" x 30 Deg, Lower
2	0351643	Elbow, Weld, 8-5/8" x 30 Deg, Upper
3	0351668	Pipe, Weld, Riser w/Flowmeter
4	0355503	Pipe, Weld, Riser
5	0633800	Coupling, Dresser, 8" Pipe
6	0608059	Screw, 1/2-13 x 2", Hex
7	0608430	Washer, 1/2" Flat
8	0624189	Nut, 1/2-12, Lock
9	0620823	Turnbuckle, 1/2" x 6", Hook & Eye
10	8707333	Gasket, Flange, 8-5/8"



# M-Lateral Systems

## In-Line Ditch Fed Cart, Main Panel Mount

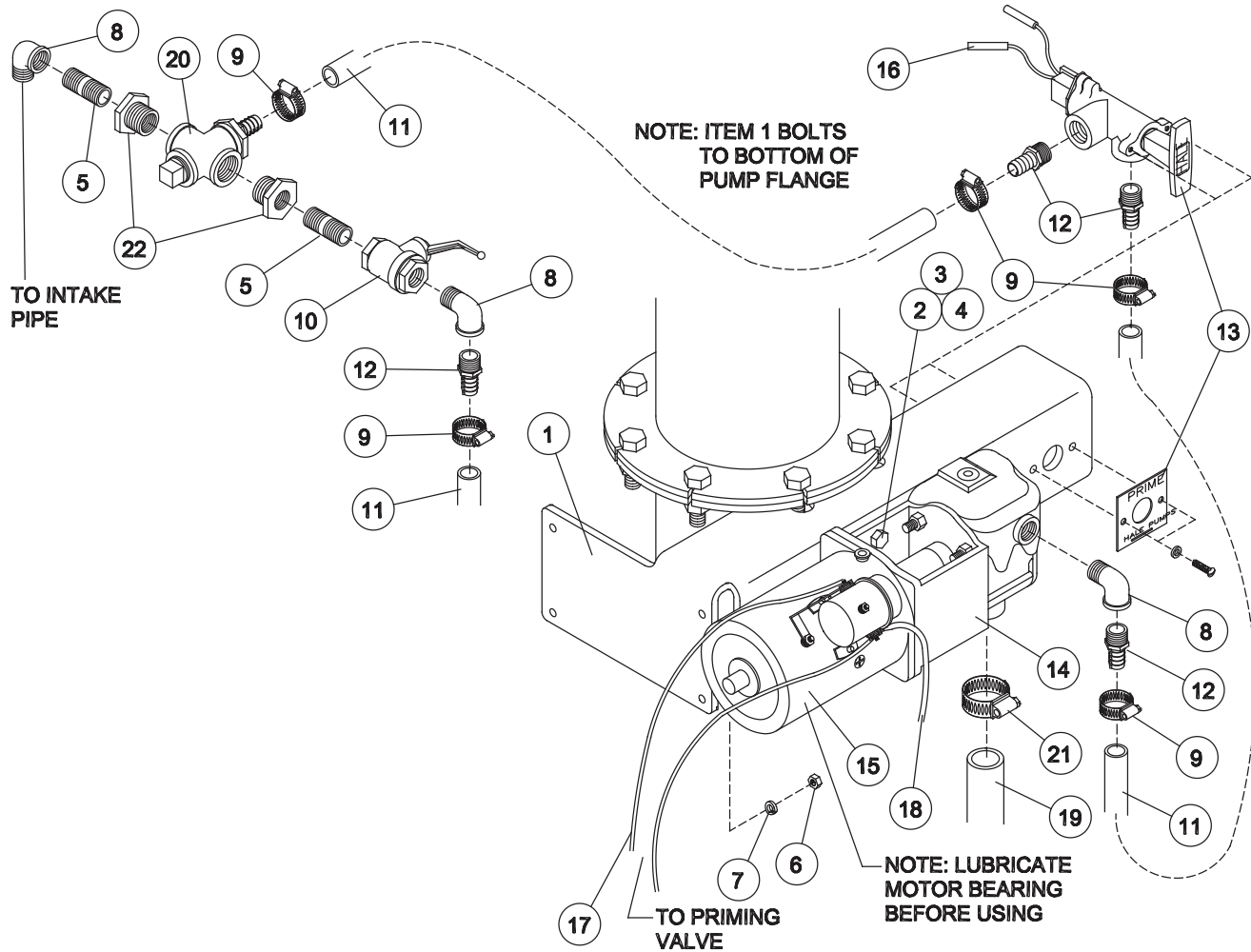


Ref.	Original Part No.	Description
1	0358952	Switch-Quill, Ass'y, Safety
2	0359919	Main Panel Brace
3	0372235	Panel Mount Uprights
4	0372318	Panel Mount Standoff
5	0465047	Main Panel Mount Weldment
6	0608026	Screw, 5/16-18 x 1", Hex
7	0608125	Washer, 5/16, Lock
8	0608224	Nut, 5/16-18, Hex
9	0608414	Nut, 1/4-20, Hex
10	0622217	Screw, 3/8-16 x 1", Hex
11	0624171	Nut, 3/4-10, Lock
12	0624205	Nut, 3/8-16, Lock
13	0631481	Screw, 1/4-20 x 5/8", Hex
14	0635391	Bolt, U, 3/4-10 x 6-5/8"
15	0638494	Mount, Rubber, Panel
16	1183910	Panel, BASIC, 480V
	1600500	Panel, VISION, 380V, CE
	1600501	Panel, VISION, 480V



# M-Lateral Systems

## In-Line Ditch Fed Cart, Electrical Primer



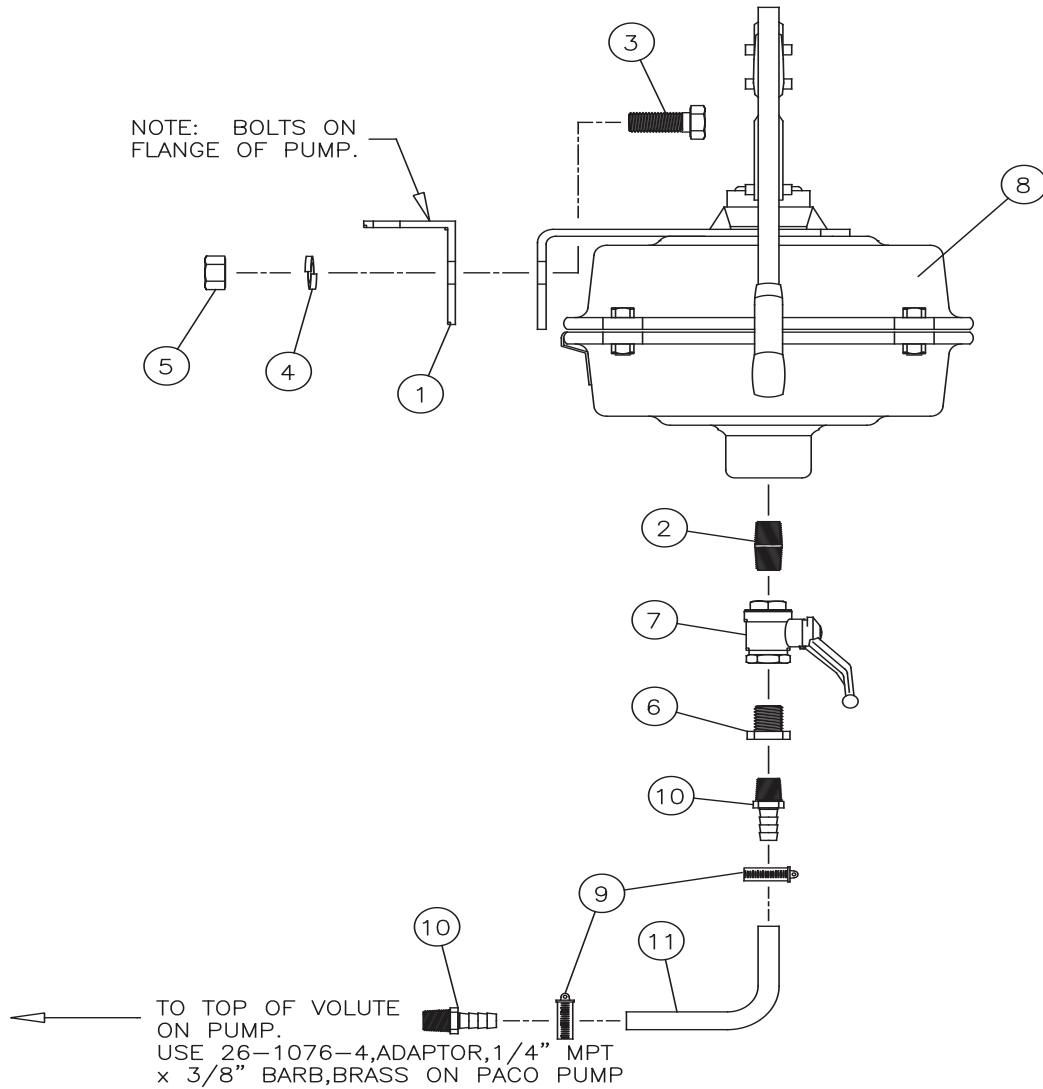
Ref.	Original Part No.	Description
1	0458976	Mount, Electrical Primer
2	0601203	Nut, 3/8-16, Hex
3	0608034	Screw, 3/8-16 x 1-1/2", Hex
4	0608133	Washer, 3/8", Lock
5	0606384	Nipple, Pipe, 3/4" x Close
6	0608414	Nut, 1/4-20, Hex
7	0615104	Washer, 1/4", Lock
8	0620831	Elbow, Street, 3/4" x 90 Degree
9	0625327	Clamp, Hose, Worm Drive
10	0634998	Valve, Manual, Ball, 3/4"

Ref.	Original Part No.	Description
11	0635359	Hose, Rubber, 5/8" ID
12	0635417	Adaptor, Hose, 3/4" x 5/8" Barb
13	0643353	Primer Valve
14	0643361	Electric Pump Primer
15	0645291	Motor, Primer, 12 Volt
16	0645309	Switch, Primer, 12 Volt
17	0988212	Wire, Electric, 10 TEW, Black
18	0992099	Cable, Battery, 72" x 3/8"
19	1099282	Hose, 2-1/2" ID, 150 PSI
20	1100973	Strainer Assembly, 1"
21	2610913	Clamp, Hose, Worm Drive
22	8606006	Bushing, Hex, 1" x 3/4"



# M-Lateral Systems

## In-Line Ditch Fed Cart, Hand Primer



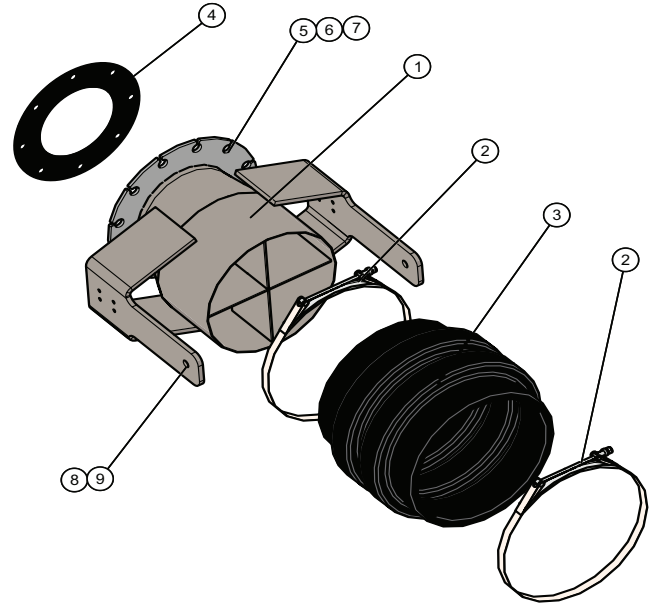
Ref.	Original Part No.	Description
1	0458968	Bracket, Hand Primer
2	0606384	Nipple, Pipe, 3/4" x Close
3	0608091	Screw, 3/4-10 x 2", Hex
4	0608166	Washer, 3/4", Lock
5	0608265	Nut, 3/4-10, Hex
6	0619700	Bushing, Hex, 3/4" to 1/2"
7	0634998	Valve, Manual, Ball, 3/4"
8	0637462	Primer, Hand, 8"
9	2610905	Clamp, Hose, Worm Drive
10	2612604	Adaptor, 1/2" MNPT x 1/2" Barb
11	9721143	Hose, Rubber, 100 PSI, 1/2" ID



# M-Lateral Systems

## Transverse Ditch Fed Cart, Intake, Reducers

Reducer Module, 0183190, 10" x 14"



Ref.	Original Part No.	Description
1	1601234	Weldment, Reducer, 10" x 14"
2	1603035	Clamp, 14", T-Bolt
3	1603032	Coupling, Rubber, 14", Double Volute
4	0634105	Gasket, Flange, 10 x 16
5	0608372	Screw, 3/4-10 x 3", Hex
6	0624171	Nut, 3/4-10, Lock
7	0608190	Washer, 3/4", Flat
8	0624064	Screw, 5/8-11 x 2-1/2", Hex
9	0624163	Nut, 5/8-11, Lock

Reducer Module, 0183200, 10" x 12"

Ref.	Original Part No.	Description
1	1600978	Weldment, Reducer, 10" x 12"
2	0643346	Clamp, 12", T-Bolt
3	0643320	Coupling, Rubber, 12", Double Volute
4	0634105	Gasket, Flange, 10 x 16
5	0608372	Screw, 3/4-10 x 3", Hex
6	0624171	Nut, 3/4-10, Lock
7	0608190	Washer, 3/4", Flat
8	0624064	Screw, 5/8-11 x 2-1/2", Hex
9	0624163	Nut, 5/8-11, Lock

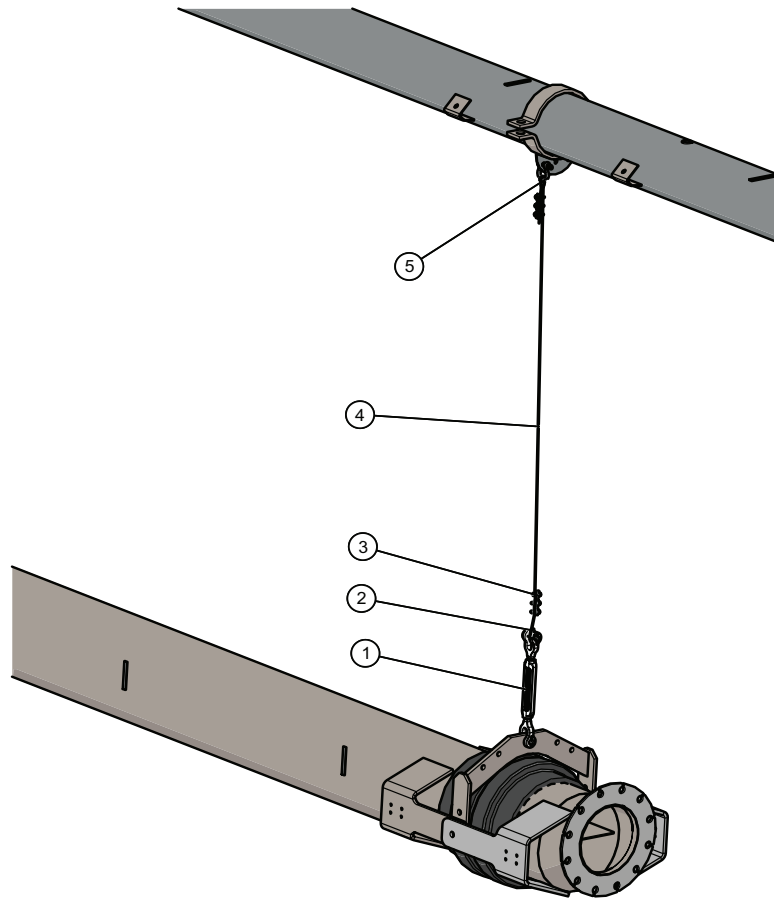
Reducer Module, 0183210, 8" x 12"

Ref.	Original Part No.	Description
1	1601324	Weldment, Reducer, 8" x 12"
2	0643346	Clamp, 12", T-Bolt
3	0643320	Coupling, Rubber, 14", Double Volute
4	0634105	Gasket, Flange, 10 x 16
5	0608372	Screw, 3/4-10 x 3", Hex
6	0624171	Nut, 3/4-10, Lock
7	0608190	Washer, 3/4", Flat
8	0624064	Screw, 5/8-11 x 2-1/2", Hex
9	0624163	Nut, 5/8-11, Lock



# M-Lateral Systems

## Transverse Ditch Fed Cart, Intake, Shackle Support

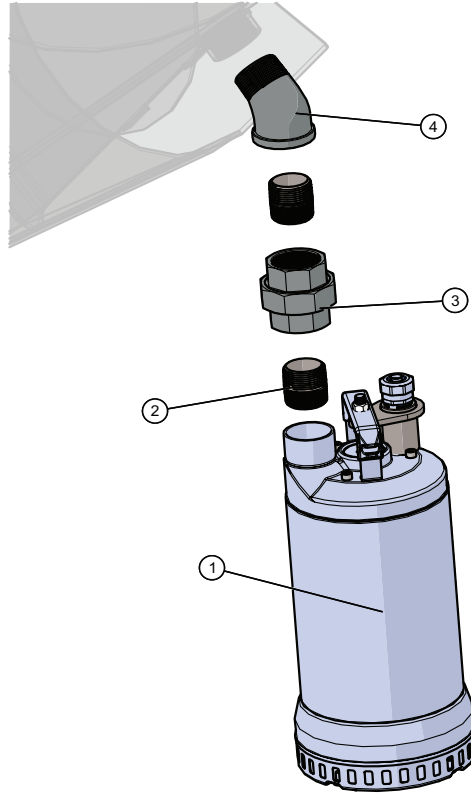


Ref.	Original Part No.	Description
1	0600114	Turnbuckle, 3/4 x 6", Clevis Ends w/Pins
2	0626200	Thimble, 3/16", Cable
3	0626218	Clamp, 3/16" Cable
4	1108448	Cable, 3/16" Diameter x 12'
5	1602966	Clevis, 7/16" w/Pin



# M-Lateral Systems

## Transverse Ditch Fed Cart, Intake, Priming Pump



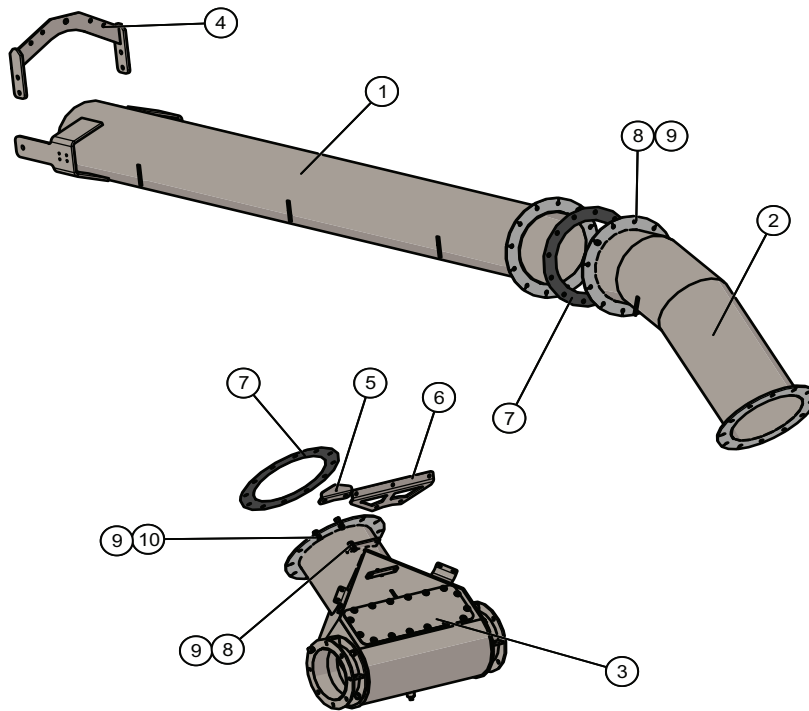
Ref.	Original Part No.	Description
1	1601315	Pump, Priming, 380V-460V
2	1196620	Nipple, Close, 1-1/2"
3	1601164	Union, Pipe, 1-1/2"
4	1601212	Elbow, Street, 1-1/2" x 45 Degree



# M-Lateral Systems

## Transverse Ditch Fed Cart, Active Screen, 14" Intake, 0182450

Intake Pipe and Manifold



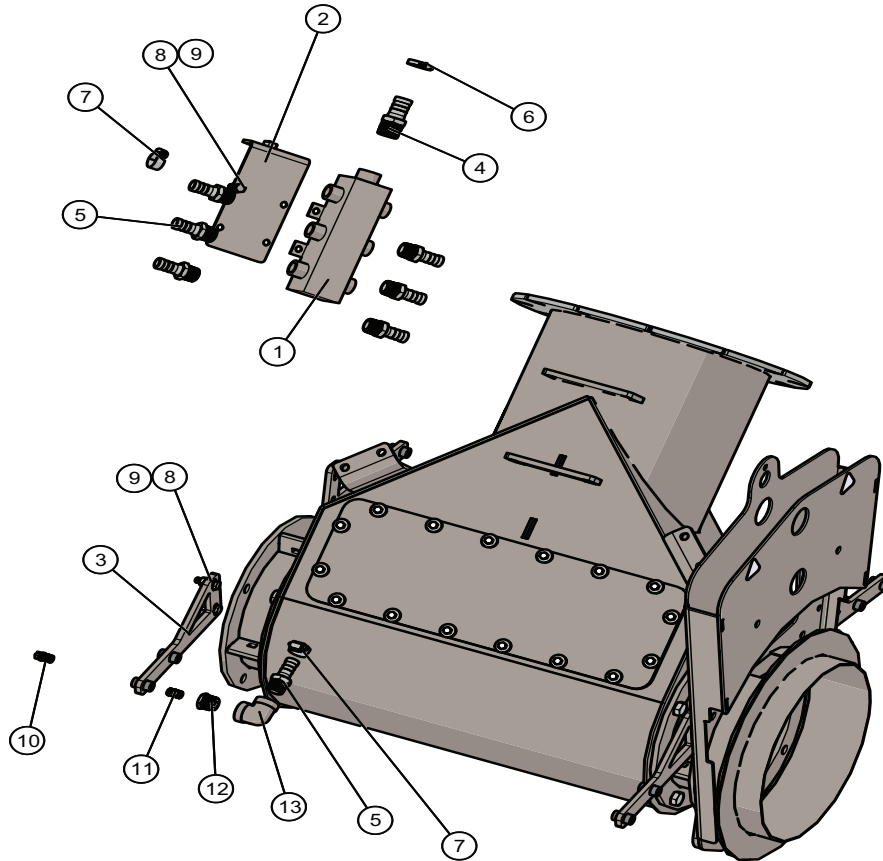
Ref.	Original Part No.	Description
1	1601230	Pipe, 14", 12' Long
2	1601226	Elbow, 14"
3	1603062	Manifold Ass'y, 14"
4	1603277	Shackle, 14"
5	1603033	Lift Point, Intake, 14"
6	1610296	Upper Support, Geardrive Mount, Intake
7	1603034	Gasket, Flange, 14"
8	1609912	Screw, 1/2-13 x 1-1/2", Hex, SS
9	1609906	Nut, 1/2-13, Lock, SS
10	1609897	Screw, 1/2-13 x 2", Hex, SS



# M-Lateral Systems

Transverse Ditch Fed Cart, Active Screen, 14" Intake, 0182450

Spray Manifold & External Spray Nozzles



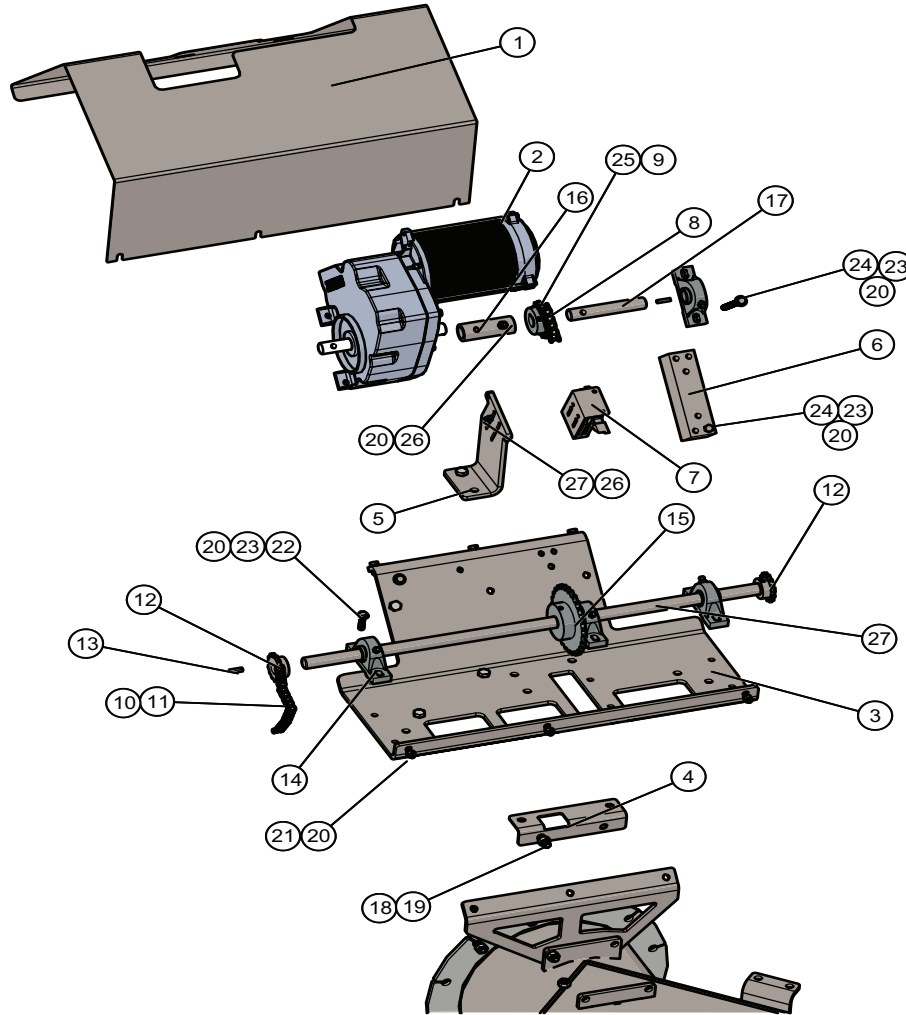
Ref.	Original Part No.	Description
1	1610039	Manifold, Sprayer, 1 Inlet, 6 Outlet, SS
2	1610051	Mount, Bracket, Sprayer Manifold
3	1610062	Mount, Bracket, Outer Spray Nozzle
4	1610114	Fitting, 1" NPT x Barb, SS
5	1610112	Fitting, 3/4" NPT x Barb, SS
6	1608981	Hose Clamp, 1", SS
7	1610115	Hose Clamp, 3/4", SS
8	1601404	Screw, 3/8-16 x 1-1/4", Hex, SS
9	1601403	Nut, 3/8-16, Lock, SS
10	1610118	Nozzle, Jet, 1/4", 0 Angle, SS
11	1610117	Nipple, Pipe, 1/4" x Close, SS
12	1610116	Reducer, 3/4" x 1/4", SS
13	1610113	Elbow, Pipe, 90 Degree, 3/4"



# M-Lateral Systems

Transverse Ditch Fed Cart, Active Screen, 14" Intake, 0182450

Drum Drive



Ref.	Original Part No.	Description
1	1610031	Cover, Centerdrive, 14" Screen
2	0349845	Motor Ass'y, 30 RPM, 1 HP
3	1610030	Plate, Mount, Centerdrive
4	1610297	Lower Support, Geardrive Mount
5	1610295	Mount, Chain Tensioner, Centerdrive
6	1610298	Bearing Block, CD Shaft, Intake
7	1610325	Chain Tensioner, #50, Spring Loaded
8	1610322	Sprocket, #50, 15 Tooth, 5/8" Pitch
9	1610334	Master Link, #50 Roll Chain, SS
10	1610109	#40 Roll Chain, 1/2" Pitch, SS
11	1610110	Master Link, #40 Roll Chain, SS
12	1610327	Sprocket, #40, 15 Tooth, 1/2" Pitch
13	1610102	Key, 1/4" Square x 1", SS

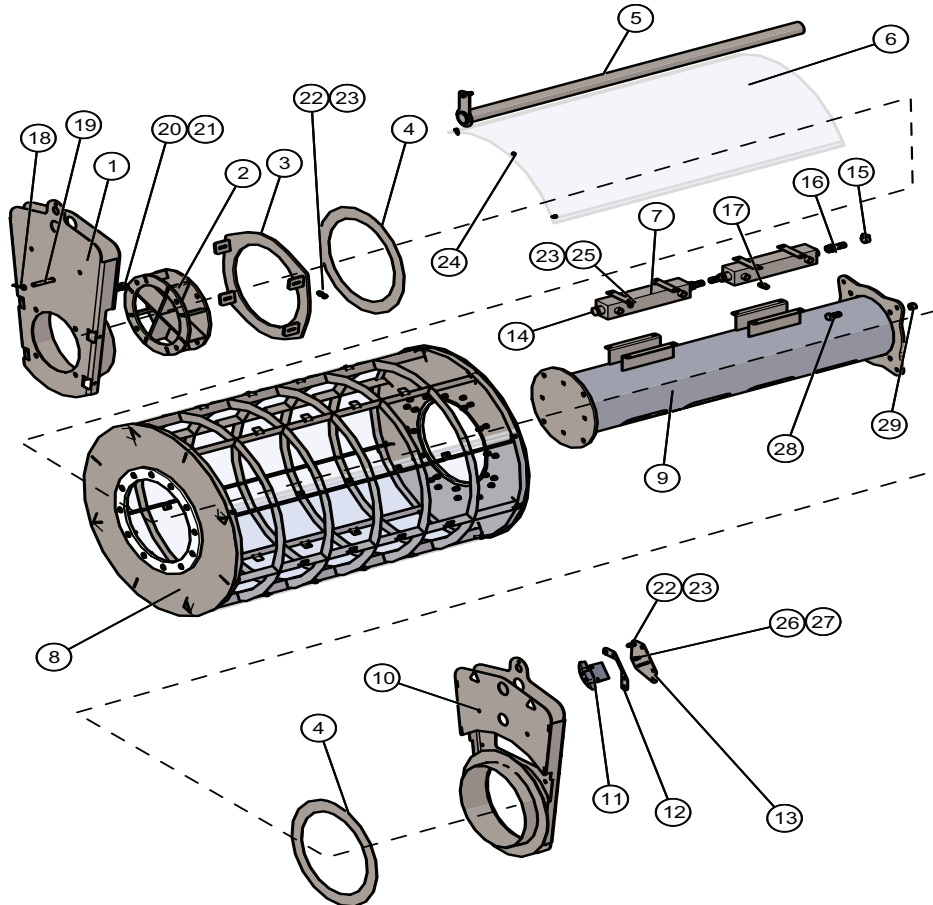
Ref.	Original Part No.	Description
14	1610103	Pillow Block Bearing, 1" Shaft, SS
15	1610232	Sprocket, #50, 30 Tooth, 5/8" Pitch
16	1610025	Adapter, Collar, Shaft, CD, Screen
17	1610028	Shaft, 1" x 3", CD, Screen
18	1609912	Screw, 1/2-13 x 1-1/2", Hex, SS
19	1609906	Nut, 1/2-13, Lock, SS
20	1601403	Nut, 3/8-16, Lock, SS
21	1609903	Screw, 3/8-16 x 1", Hex, SS
22	1194160	Screw, 3/8-16 x 1-1/2", Hex, SS
23	1601420	Washer, 3/8", Flat, SS
24	1610496	Screw, 3/8-16 x 4", Hex, SS
25	1610333	#50 Roll Chain, 5/8" Pitch, SS
26	1609902	Screw, 1/2-13 x 2", Hex, SS
27	1610029	Shaft, 1" x 37-1/4", Screen Drive, 14"



# M-Lateral Systems

Transverse Ditch Fed Cart, Active Screen, 14" Intake, 0182450

Drum Screens & Internal Spray Nozzles



Ref.	Original Part No.	Description
1	1609894	Hanger, Outer, 14" Intake
2	1610333	Spacer Weldment, 14" Intake
3	1610091	Bearing, Screen Adjustment
4	1603333	Shim, 11 Gauge, Intake
5	1601197	Rod, Hanger, Pontoon Arms
6	1601910	Screen Cover, 16 Gauge, Perf., SS, 32"
7	1610044	Manifold, Inner Sprayer
8	1610094	Screen Ass'y, Rotating, 32"
9	1610053	Pipe, Inlet, 10"
10	1610056	Hanger, Inner, 14" Intake
11	1610324	Chain Tensioner, #40, Spring Loaded
12	1610266	Spacer, Tensioner
13	1610265	Mount Bracket, Tensioner, Screen
14	1610111	Plug, 3/4" NPT, SS

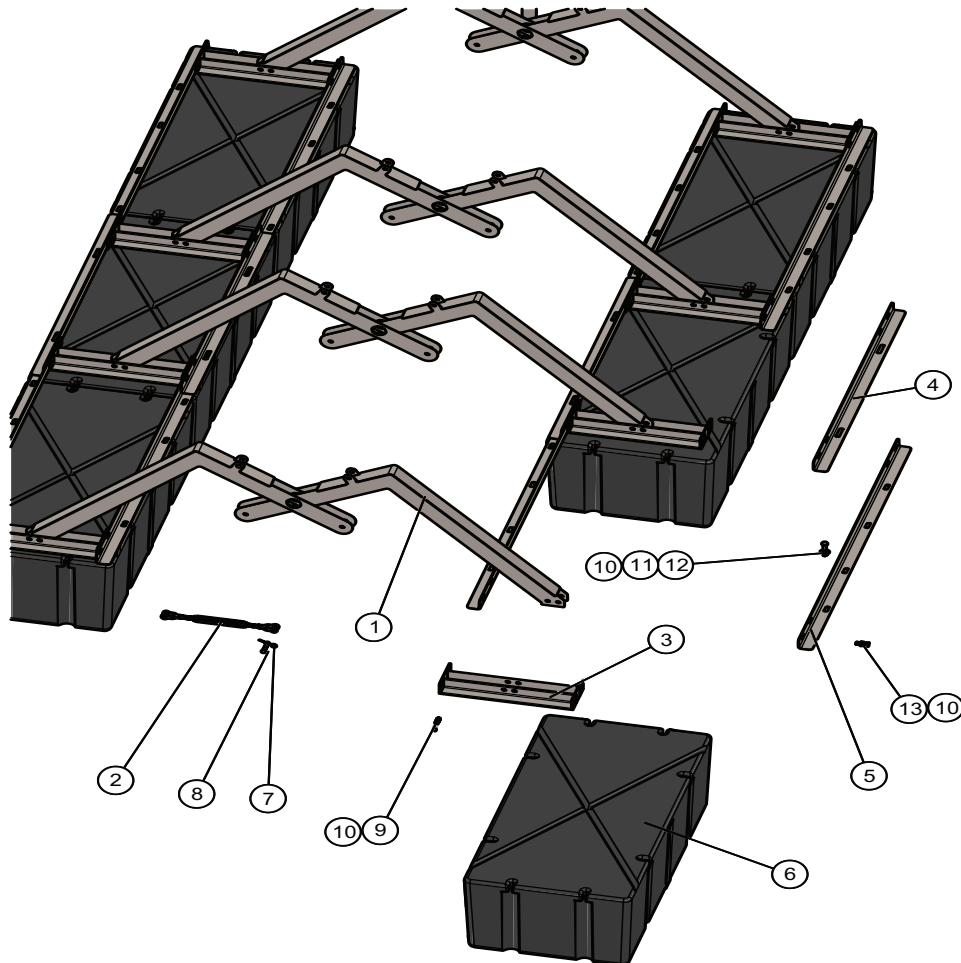
Ref.	Original Part No.	Description
15	1610115	Clamp, Hose, 3/4" to 1-1/16", SS
16	1610112	Fitting, 3/4" NPT x Barb, SS
17	1601190	Nozzle, Spray, 80 Degree, Flat
18	1609899	Pin, Cotter, 1/8" x 1-1/2", SS
19	1601405	Pin, Cotter, 1/2" x 3"
20	1609905	Nut, 5/8-11, Lock, SS
21	1609898	Screw, 5/8-11 x 1-1/2", Hex, SS
22	1601404	Screw, 3/8-16 x 1-1/4", Hex, SS
23	1601403	Nut, 3/8-16, Lock, SS
24	1603966	Screw, 10-32 x 3/4", Self Tap, SS
25	1609903	Screw, 3/8-16 x 1" Hex, SS
26	1198520	Nut, 1/4-20, Lock, SS
27	1184050	Screw, 1/4-20 x 1", Hex, SS
28	1609912	Screw, 1/2-13 x 1-1/2", Hex, SS
29	1609906	Nut, 1/2-13, Lock, SS



# M-Lateral Systems

Transverse Ditch Fed Cart, Active Screen, 14" Intake, 0182450

Pontoons



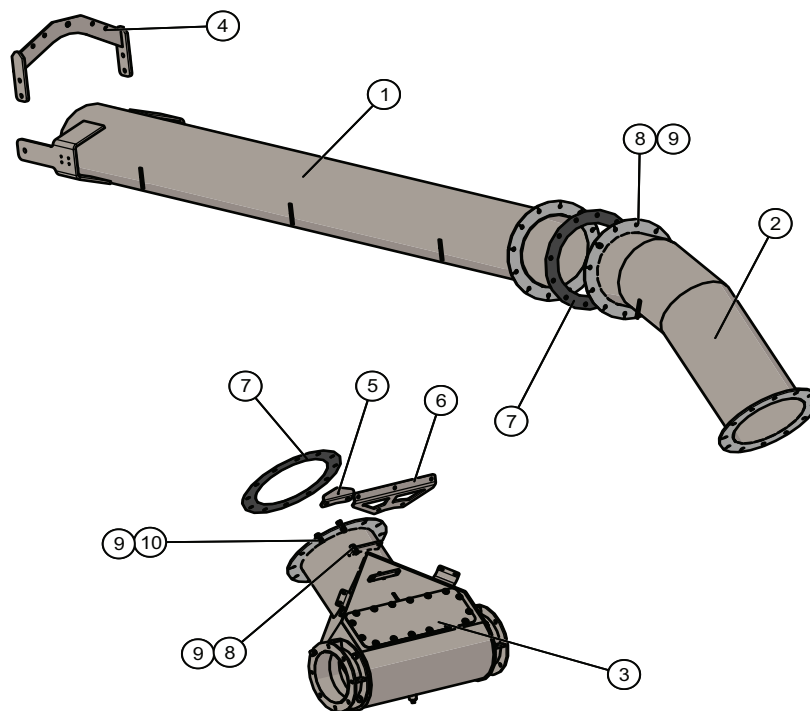
Ref.	Original Part No.	Description
1	1601131	Pontoon Arm
2	1601398	Turnbuckle, 1/2" x 13-1/2", Clevis, SS
3	1602672	Angle, Tie, Float
4	1610122	Angle, Float, Middle, 46"
5	1610120	Angle, Float, End, 58"
6	1601086	Float, Dock, 48 x 24 x 16"
7	1609899	Pin, Cotter, 1/8" x 1-1/2", SS
8	1602085	Pin, Cotter, 7/16" x 2-1/2"
9	1609908	Screw, 1/2-13 x 3", Hex, SS
10	1609906	Nut, 1/2-13, Lock, SS
11	1609904	Screw, 1/2-13 x 2-1/2", Hex, SS
12	1609900	Washer, 1/2", Flat, SS
13	1609912	Screw, 1/2-13 x 1-1/2", Hex, SS



# M-Lateral Systems

Transverse Ditch Fed Cart, Dual Active Screen, 12" Intake, 0182440  
 Transverse Ditch Fed Cart, Single Active Screen, 12" Intake, 0182430

Intake Pipe and Manifold



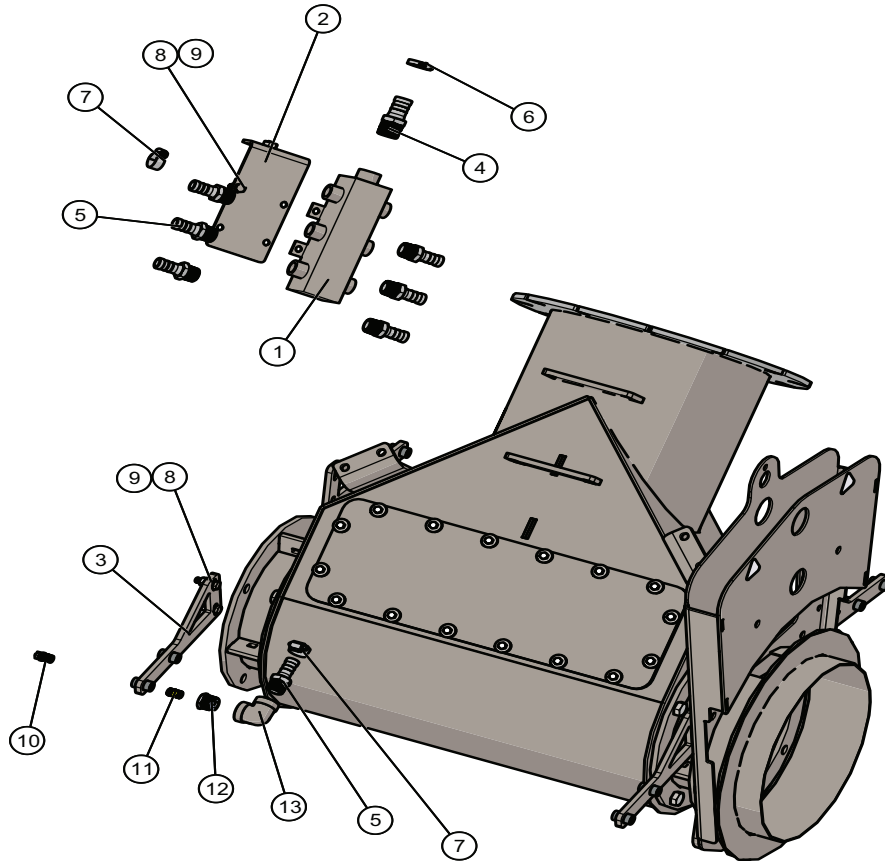
Ref.	Original Part No.	Description
1	1600981	Pipe, 12", 12' Long
2	1600990	Elbow, 12"
3	1610421	Manifold Ass'y, 12"
4	1603277	Shackle, 14"
5	1602955	Lift Point, Intake, 12"
6	1610515	Upper Support, Geardrive Mount, Intake
7	0375816	Gasket, Flange, 12"
8	1609912	Screw, 1/2-13 x 1-1/2", Hex, SS
9	1609906	Nut, 1/2-13, Lock, SS
10	1609897	Screw, 1/2-13 x 2", Hex, SS



# M-Lateral Systems

Transverse Ditch Fed Cart, Dual Active Screen, 12" Intake, 0182440  
 Transverse Ditch Fed Cart, Single Active Screen, 12" Intake, 0182430

## Spray Manifold & External Spray Nozzles



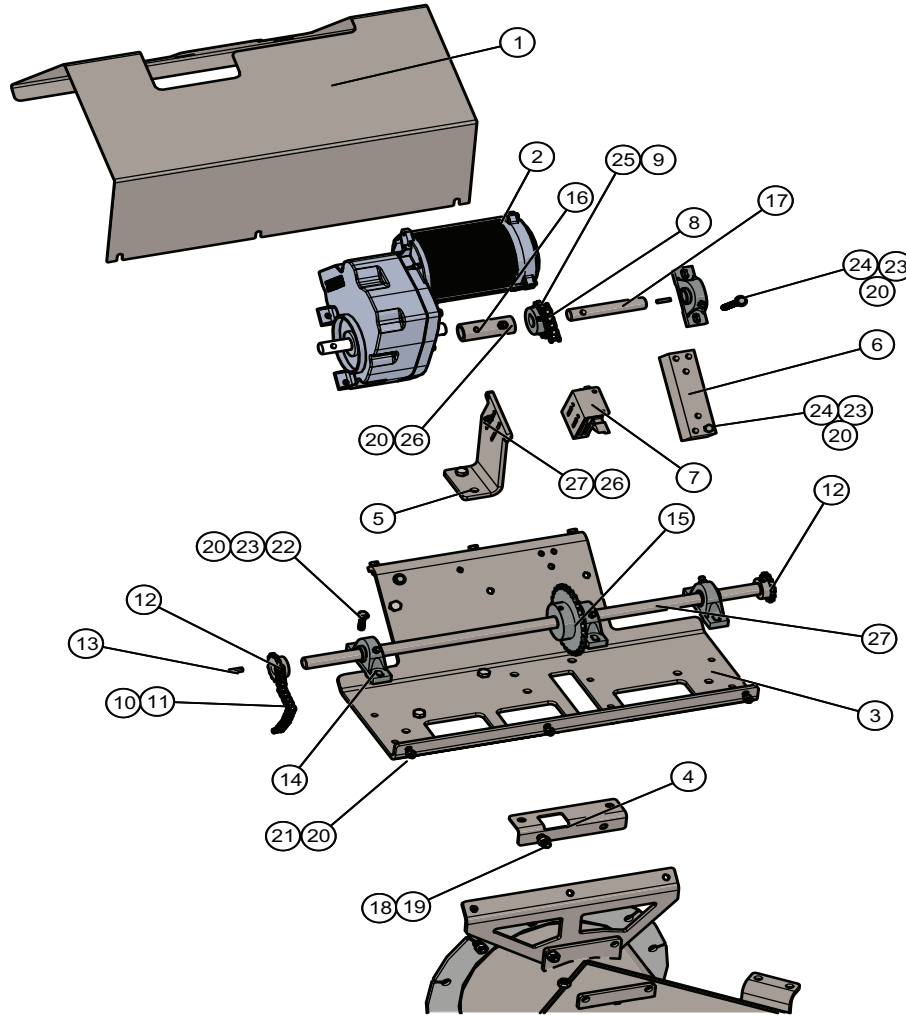
Ref.	Original Part No.	Description
1	1610039	Manifold, Sprayer, 1 Inlet, 6 Outlet, SS
2	1610051	Mount, Bracket, Sprayer Manifold
3	1610062	Mount, Bracket, Outer Spray Nozzle
4	1610114	Fitting, 1" NPT x Barb, SS
5	1610112	Fitting, 3/4", NPT x Barb, SS
6	1608981	Hose Clamp, 1", SS
7	1610115	Hose Clamp, 3/4", SS
8	1601404	Screw, 3/8-16 x 1-1/4", Hex, SS
9	1601403	Nut, 3/8-16, Lock, SS
10	1610118	Nozzle, Jet, 1/4", 0 Angle, SS
11	1610117	Nipple, Pipe, 1/4" x Close, SS
12	1610116	Reducer, 3/4" x 1/4", SS
13	1610113	Elbow, Pipe, 90 Degree, 3/4"



# M-Lateral Systems

Transverse Ditch Fed Cart, Dual Active Screen, 12" Intake, 0182440  
 Transverse Ditch Fed Cart, Single Active Screen, 12" Intake, 0182430

## Drum Drive



Ref.	Original Part No.	Description
1	1610031	Cover, Centerdrive, 14" Screen
2	0349845	Motor Ass'y, 30 RPM, 1 HP
3	1610030	Plate, Mount, Centerdrive
4	1610516	Lower Support, Geardrive Mount, 12"
5	1610295	Mount, Chain Tensioner, Centerdrive
6	1610298	Bearing Block, CD Shaft, Intake
7	1610325	Chain Tensioner, #50, Spring Loaded
8	1610322	Sprocket, #50, 15 Tooth, 5/8" Pitch
9	1610334	Master Link, #50 Roll Chain, SS
10	1610109	#40 Roll Chain, 1/2" Pitch, SS
11	1610110	Master Link, #40 Roll Chain, SS
12	1610327	Sprocket, #40, 15 Tooth, 1/2" Pitch
13	1610102	Key, 1/4" Square x 1", SS

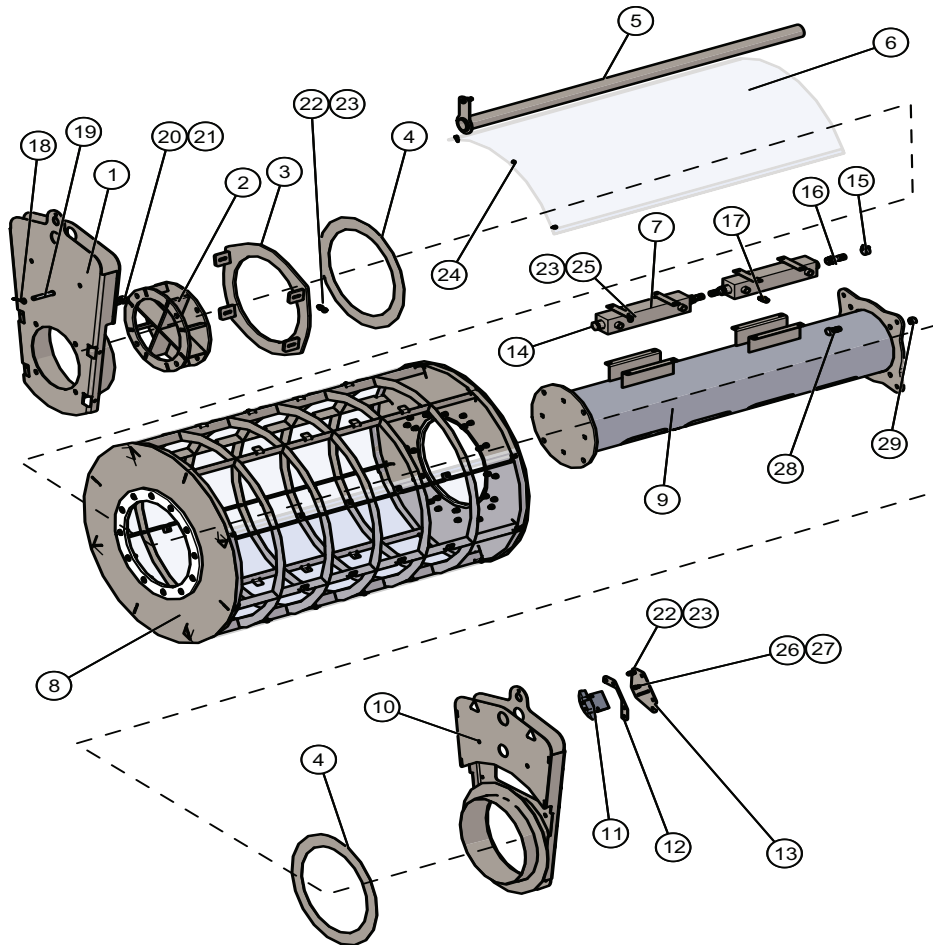
Ref.	Original Part No.	Description
14	1610103	Pillow Block Bearing, 1" Shaft, SS
15	1610232	Sprocket, #50, 30 Tooth, 5/8" Pitch
16	1610025	Adapter, Collar, Shaft, CD, Screen
17	1610028	Shaft, 1" x 3", CD, Screen
18	1609912	Screw, 1/2-13 x 1-1/2", Hex, SS
19	1609906	Nut, 1/2-13, Lock, SS
20	1601403	Nut, 3/8-16, Lock, SS
21	1609903	Screw, 3/8-16 x 1", Hex, SS
22	1194160	Screw, 3/8-16 x 1-1/2", Hex, SS
23	1601420	Washer, 3/8", Flat, SS
24	1610496	Screw, 3/8-16 x 4", Hex, SS
25	1610333	#50 Roll Chain, 5/8" Pitch, SS
26	1609902	Screw, 1/2-13 x 2", Hex, SS
27	1610437	Shaft, 1" x 35-1/2", Screen Drive, 12"



# M-Lateral Systems

Transverse Ditch Fed Cart, Dual Active Screen, 12" Intake, 0182440  
 Transverse Ditch Fed Cart, Single Active Screen, 12" Intake, 0182430

## Drum Screens & Internal Spray Nozzles



Ref.	Original Part No.	Description
1	1609894	Hanger, Outer, 14" Intake
2	1610435	Spacer Weldment, 12" Intake
3	1610091	Bearing, Screen Adjustment
4	1603333	Shim, 11 Gauge, Intake
5	1601197	Rod, Hanger, Pontoon Arms
6	1601588	Screen Cover, 16 Gauge, Perf., SS, 24"
7	1610044	Manifold, Inner Sprayer
8	1610417	Screen Ass'y, Rotating, 24"
9	1610433	Pipe, Inlet, 8-5/8"
10	1610056	Hanger, Inner, 14" Intake
11	1610324	Chain Tensioner, #40, Spring Loaded
12	1610266	Spacer, Tensioner
13	1610265	Mount Bracket, Tensioner, Screen
14	1610111	Plug, 3/4" NPT, SS

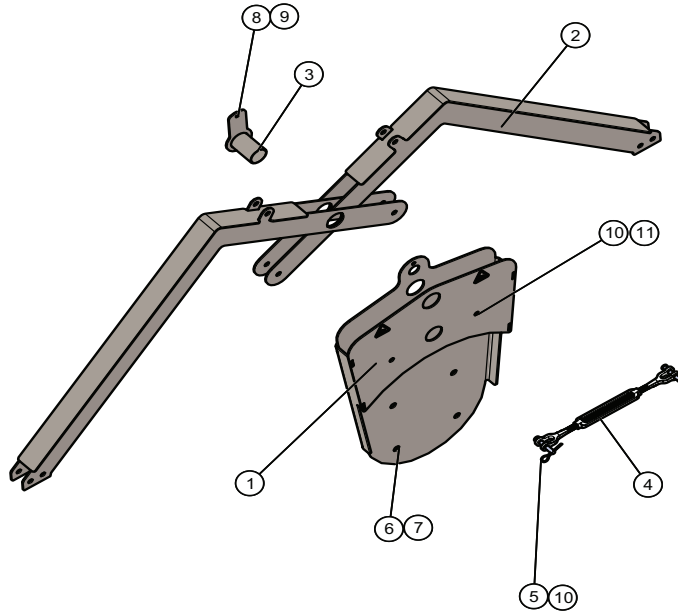
Ref.	Original Part No.	Description
15	1610115	Clamp, Hose, 3/4" to 1-1/16", SS
16	1610112	Fitting, 3/4" NPT x Barb, SS
17	1601190	Nozzle, Spray, 80 Degree, Flat
18	1609899	Pin, Cotter, 1/8" x 1-1/2", SS
19	1601405	Pin, Cotter, 1/2" x 3"
20	1609905	Nut, 5/8-11, Lock, SS
21	1609898	Screw, 5/8-11 x 1-1/2", Hex, SS
22	1601404	Screw, 3/8-16 x 1-1/4", Hex, SS
23	1601403	Nut, 3/8-16, Lock, SS
24	1603966	Screw, 10-32 x 3/4", Self Tap, SS
25	1609903	Screw, 3/8-16 x 1" Hex, SS
26	1198520	Nut, 1/4-20, Lock, SS
27	1184050	Screw, 1/4-20 x 1", Hex, SS
28	1609912	Screw, 1/2-13 x 1-1/2", Hex, SS
29	1609906	Nut, 1/2-13, Lock, SS



# M-Lateral Systems

Transverse Ditch Fed Cart, Single Active Screen, 12" Intake, 0182430

Closed Side



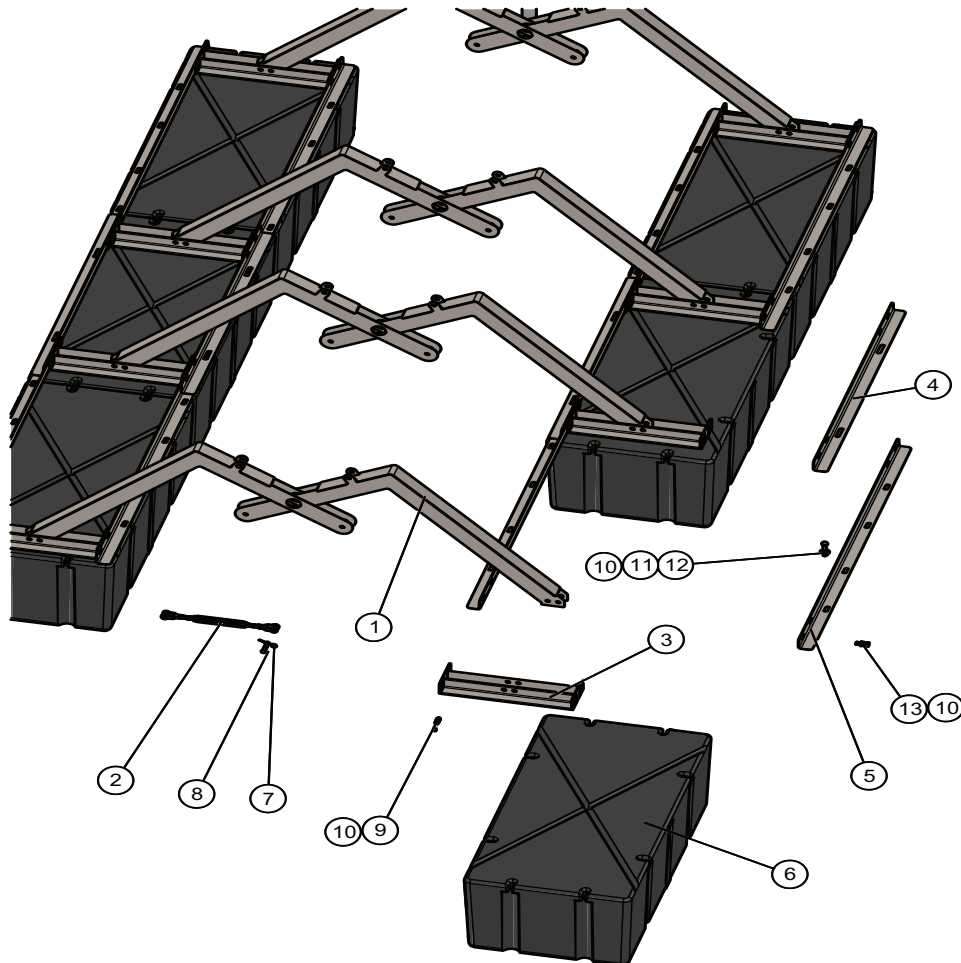
Ref.	Original Part No.	Description
1	1602656	Hanger Bracket, Single Side, Closed
2	1601131	Pontoon Arm
3	1603436	Hanger Rod, pontoon Arm, Closed
4	1601398	Turnbuckle, 1/2" x 13-1/2", Clevis, SS
5	1602085	Pin, Cotter, 7/16 x 2-1/2", SS
6	1609905	Nut, 5/8-11, Lock, SS
7	1609898	Screw, 5/8-11 x 1-1/2", Hex, SS
8	1601404	Screw, 3/8-16 x 1-1/4", Hex, SS
9	1601403	Nut, 3/8-16, Lock, SS
10	1609899	Pin, Cotter, 1/8" x 1-1/2", SS
11	1601405	Pin, Cotter, 1/2" x 3"



# M-Lateral Systems

Transverse Ditch Fed Cart, Dual Active Screen, 12" Intake, 0182440

Pontoons



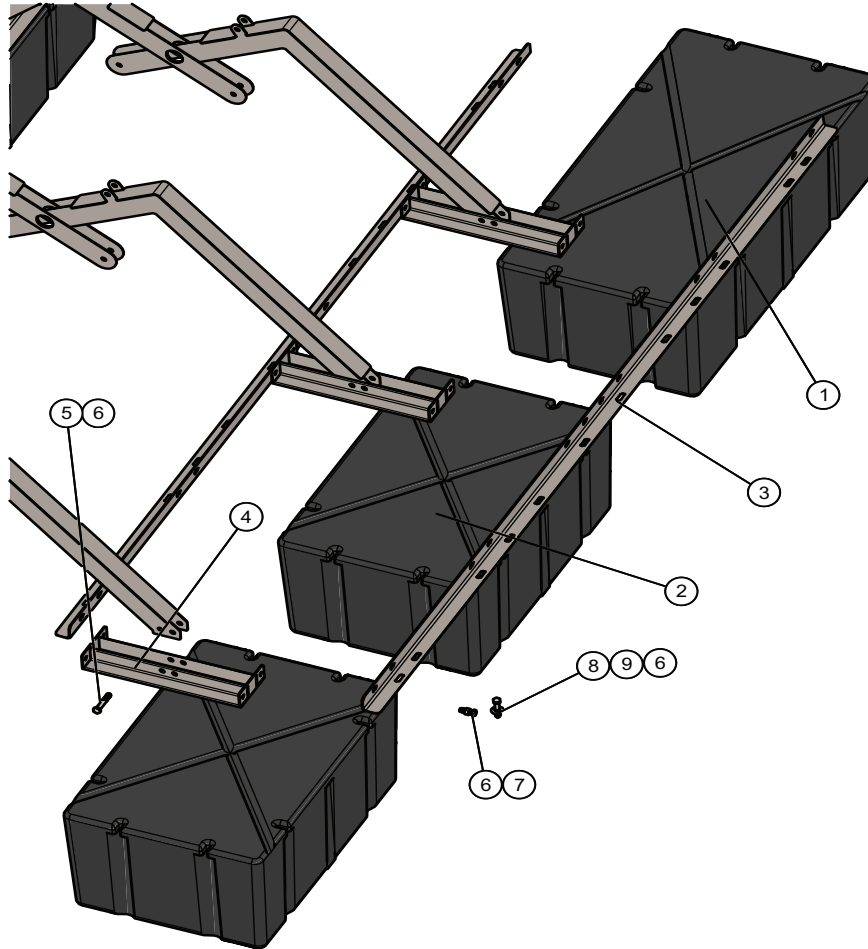
Ref.	Original Part No.	Description
1	1601131	Pontoon Arm
2	1601398	Turnbuckle, 1/2" x 13-1/2", Clevis, SS
3	1602672	Angle, Tie, Float
4	1610518	Angle, Float, Middle, 12" Screen
5	1610517	Angle, Float, End, 12" Screen
6	1601086	Float, Dock, 48 x 24 x 16"
7	1609899	Pin, Cotter, 1/8" x 1-1/2", SS
8	1602085	Pin, Cotter, 7/16" x 2-1/2"
9	1609908	Screw, 1/2-13 x 3", Hex, SS
10	1609906	Nut, 1/2-13, Lock, SS
11	1609904	Screw, 1/2-13 x 2-1/2", Hex, SS
12	1609900	Washer, 1/2", Flat, SS
13	1609912	Screw, 1/2-13 x 1-1/2", Hex, SS



# M-Lateral Systems

Transverse Ditch Fed Cart, Single Active Screen, 12" Intake, 0182430

Pontoons

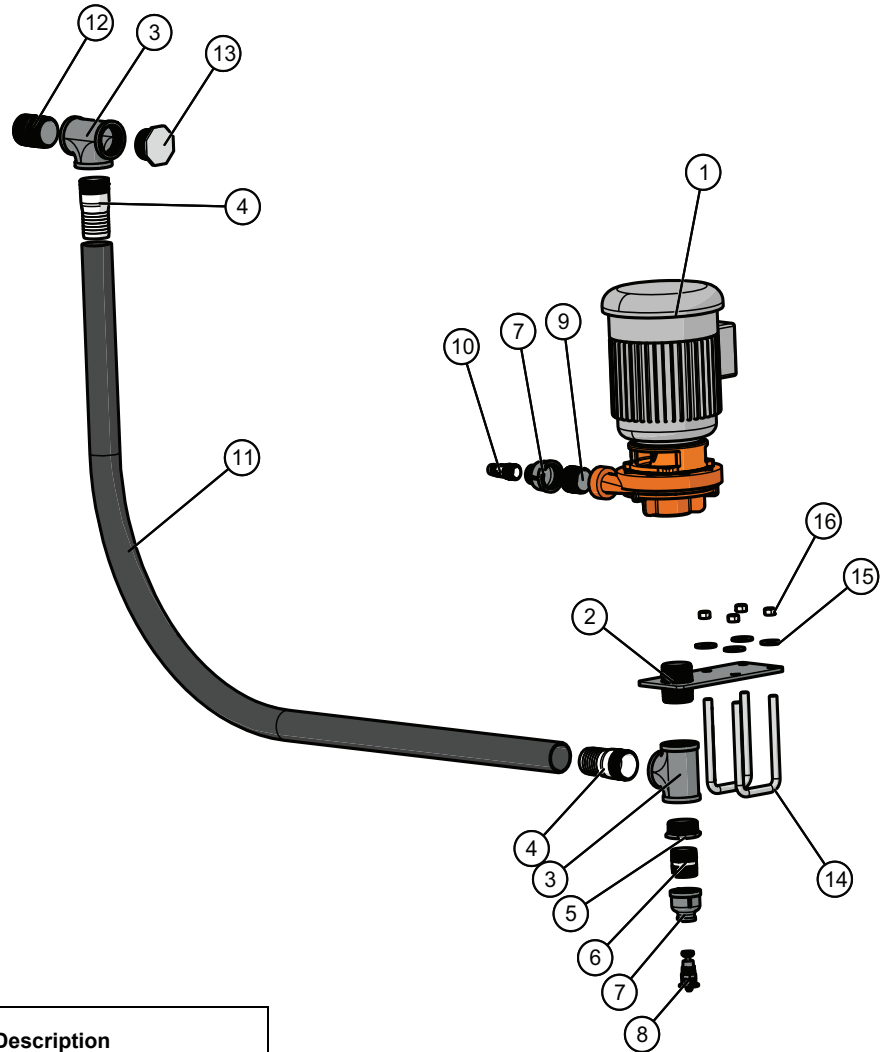


Ref.	Original Part No.	Description
1	1601086	Float, Dock, 48 x 24 x 16"
2	1603257	Float, Dock, 36 x 24 x 16"
3	1602667	Angle, Side, Float, 118-1/2"
4	1602668	Angle, Tie, Float
5	1609908	Screw, 1/2-13 x 3", Hex, SS
6	1609906	Nut, 1/2-13, Lock, SS
7	1609912	Screw, 1/2-13 x 1-1/2", Hex, SS
8	1609904	Screw, 1/2-13 x 2-1/2", Hex, SS
9	1609900	Washer, 1/2", Flat, SS



# M-Lateral Systems

## Transverse Ditch Fed Cart, All Intakes, Booster Pump Assembly

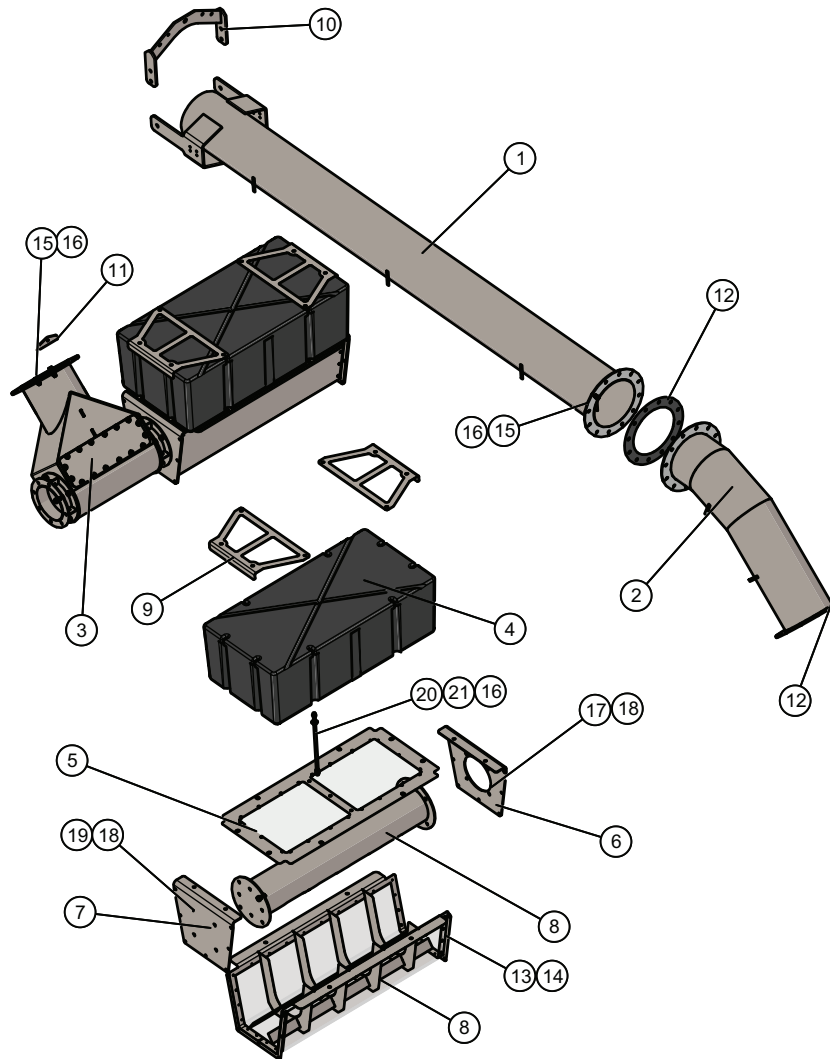


Ref.	Original Part No.	Description
1	0625061	Pump, Booster, 130 GPM
2	1601336	Plate, Mounting, Booster Pump
3	0631523	Tee, Pipe, 2-1/2"
4	0643049	Adapter, 2-1/2", Thread to Hose Barb
5	0631549	Bushing, Hex, 2-1/2" x 2"
6	0606442	Nipple, Pipe, 2" x Close
7	0625145	Reducer, Bell, 2 to 1"
8	0620708	Valve, Drain, 1"
9	0620930	Nipple, Pipe, 2" x Close
10	0637702	Adapter, 1", Thread to Hose Barb
11	1601320	Hose, 2-1/2" ID, 11 ft.
12	0644849	Nipple, Pipe, 2-1/2 x 3-1/2
13	0644443	Plug, 2-1/2" Pipe, PVC
14	0641969	Bolt, U, 3/4-10 x 8-3/8"
15	0608190	Washer, 3/4", Flat
16	0624171	Nut, 3/4-10, Lock
17	1603495	Clamp, Hose, 2-1/2", not shown
18	1215970	Hose, 1" ID, 30 ft., not shown



# M-Lateral Systems

**Transverse Ditch Fed Cart, Dual Fixed Screen, 12" Intake, 0182420**  
**Transverse Ditch Fed Cart, Single Fixed Screen, 12" Intake, 0182410**



Ref.	Original Part No.	Description
1	1600981	Pipe, Intake, 12"
2	1600990	Pipe, Elbow, 12"
3	1603061	Manifold, Intake, 12"
4	1601086	Float, Dock, 48 x 24 x 16"
5	1602075	Screen, Top, Fixed
6	1601949	Hanger Bracket, Intake, Fixed
7	1610448	Hanger Bracket, Outboard
8	1602076	Screen, Intake, Fixed
9	1601950	Flange, Float, Overhead
10	1601146	Shackle, Intake, 12"

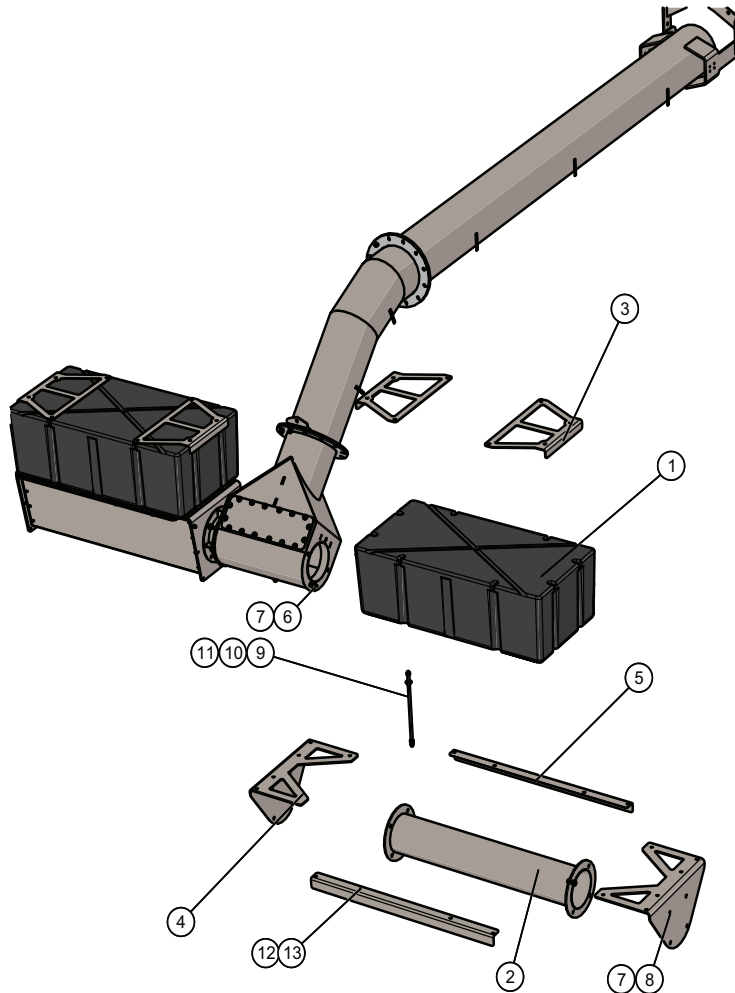
Ref.	Original Part No.	Description
11	1602955	Hanger, Bracket, Winch
12	0375816	Gasket, Flange, 12"
13	1601404	Screw, 3/8-16 x 1-1/4", Hex, SS
14	1601403	Nut, 3/8-16, Lock, SS
15	1609912	Screw, 1/2-1/3 x 1-1/2", Hex, SS
16	1609906	Nut, 1/2-13, Lock, SS
17	1610455	Screw, 5/8-11 x 2", Hex, SS
18	1609905	Nut, 5/8-11, Lock, SS
19	1609898	Screw, 5/8-11 x 1-1/2", Hex, SS
20	1609910	Threaded Rod, 1/2-13 x 18", SS
21	1609900	Washer, 1/2", Flat, SS



# M-Lateral Systems

Transverse Ditch Fed Cart, Single Fixed Screen, 12" Intake, 0182410

False Intake



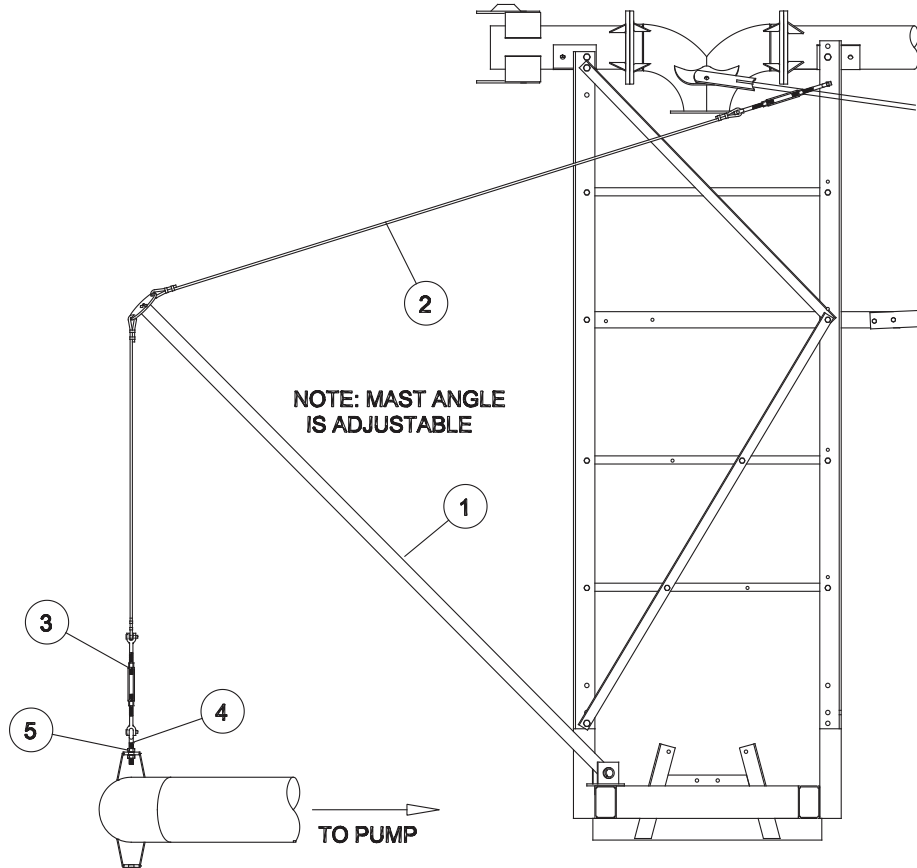
Ref.	Original Part No.	Description
1	1601086	Float, Dock, 48 x 24 x 16"
2	1602432	Pipe, False Intake, 12"
3	1601950	Flange, Float, Overhead
4	1602411	Hanger, Bracket, False Intake
5	1602414	Angle, Buoy Frame, 12"
6	1610455	Screw, 5/8-11 x 2", Hex, SS

Ref.	Original Part No.	Description
7	1609905	Nut, 5/8-11, Lock, SS
8	1609898	Screw, 5/8-11 x 1-1/2", Hex, SS
9	1609910	Threaded Rod, 1/2-13 x 18", SS
10	1609900	Washer, 1/2", Flat, SS
11	1609906	Nut, 1/2-13, Lock, SS
12	1601403	Nut, 3/8-16, Lock, SS
13	1601404	Screw, 3/8-16 x 1/4", Hex, SS



# M-Lateral Systems

## In-Line Ditch Fed Cart, Intake Derrick

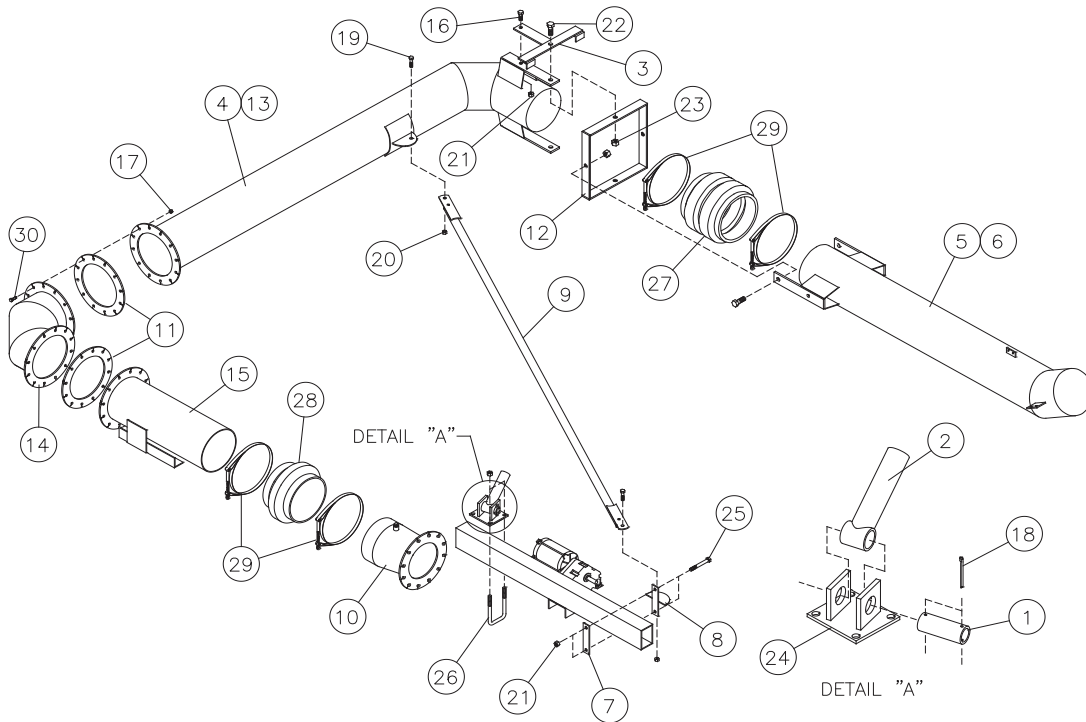


Ref.	Original Part No.	Description
1	0304428	Intake Derrick Support
2	0304691	Cable Assembly, Intake Mast
3	0641506	Turnbuckle, Jaw & Jaw, 5/8"
4	0608331	Rod End, 3/4-10 x 6"
5	0624171	Nut, 3/4-10, Lock



# M-Lateral Systems

## In-Line Ditch Fed Cart, Intake Pipe



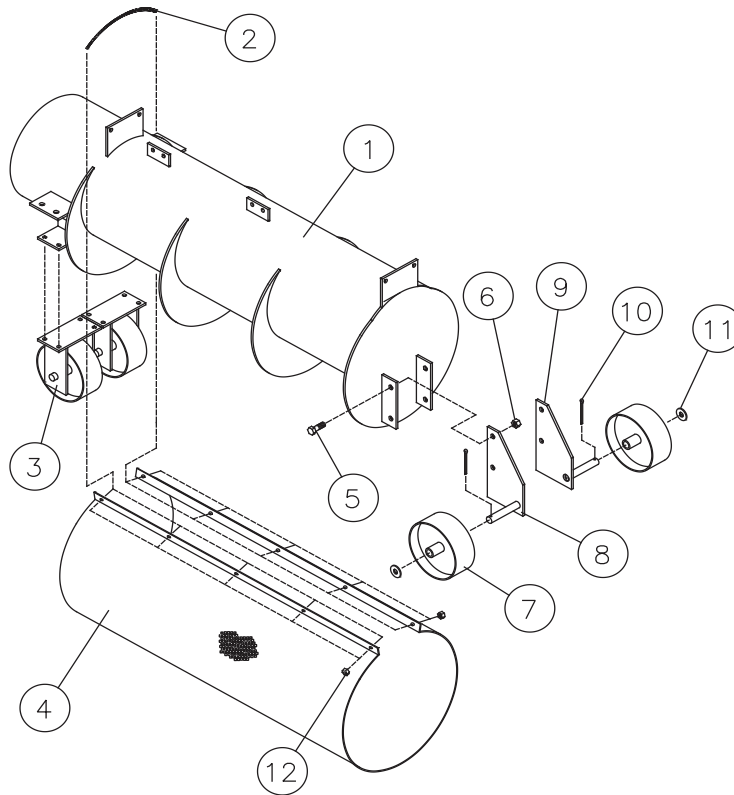
Ref.	Original Part No.	Description
1	0304394	Pin, Derrick
2	0304428	Intake Support, Derrick
3	0304477	Locking Bar, 12" Intake
4	0304550	Pipe, 12", Long Extension, Earth
5	0304618	Pipe, 12", Lift, Long
6	0304626	Pipe, 12", Lift, Short
7	0372607	Strut Support Clamp Half
8	0372615	Strut Support Clamp Half, Tab
9	0372623	Strut Weldment
10	0375733	Eccentric Reducer, 10" x 12"
11	0375816	Flange Gasket, 12"
12	0375931	Gimbal, 12"
13	0376319	Pipe, 12", Long Extension
14	0376335	Elbow, 12" Intake
15	0376376	Pipe, 12", First Extension
16	0608091	Screw, 3/4-10 x 2", Hex
17	0608240	Nut, 1/2-13, Hex
18	0620856	Pin, Cotter, 1/4 x 2-1/4"
19	0624064	Screw, 5/8-11 x 2-1/2", Hex
20	0624163	Nut, 5/8-11, Lock
21	0624171	Nut, 3/4-10, Lock
22	0623959	Screw, 1-8 x 2-3/4", Hex
23	0624205	Nut, 1-8, Lock
24	0404442	Derrick Mount
25	0637595	Screw, 3/4-10 x 6", Hex
26	0641969	Bolt, U, 3/4-10 x 8-3/8"
27	0643320	Coupling, Rubber, Double Volute, 12"
28	0643338	Coupling, Rubber, 12"
29	0643346	Clamp, T-bolt, 12"
30	2607604	Screw, 1/2-13 x 1-1/2, Hex



# M-Lateral Systems

## In-Line Ditch Fed Cart, Suction Screen, Concrete, 0121087

The Intake Modules consist of the previous mentioned Derrick, Intake Pipe and this Screen Assembly



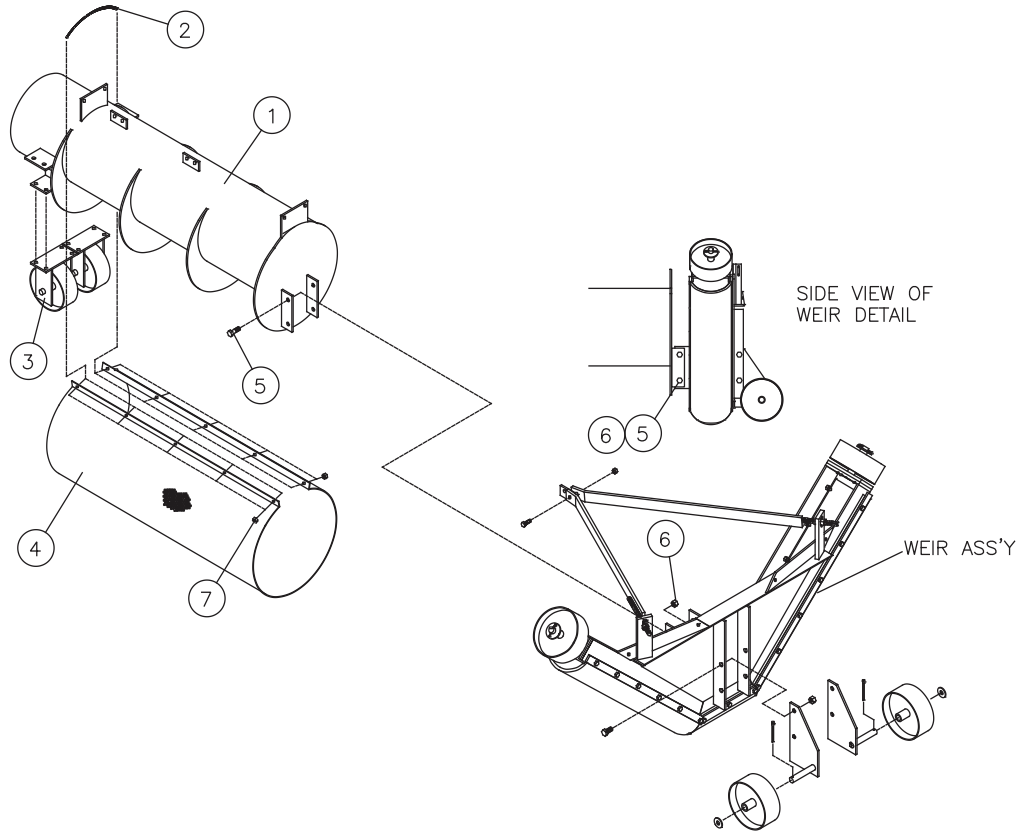
Ref.	Original Part No.	Description
1	0304543	Pipe, Intake, Suction, 12"
2	0352823	Clamp, All Thread, Intake Screen
3	0357921	Caster Ass'y, Intake
4	0475988	Screen Weldment, Suction Intake
5	0619403	Screw, 1/2-13 x 1", Hex
6	0624189	Nut, 1/2-13, Lock
7	0457960	Wheel, Side Carriage, Intake
8	0365486	Wheel Support, Left
9	0365494	Wheel Support, Right
10	0608349	Pin, Cotter, 1/8" x 1-1/2"
11	0608190	Washer, 3/4", Flat
12	0624205	Nut, 3/8-16, Lock



# M-Lateral Systems

## In-Line Ditch Fed Cart, Suction Screen, Concrete Weir, 0121194

The Intake Modules consist of the previous mentioned Derrick, Intake Pipe and this Screen Assembly



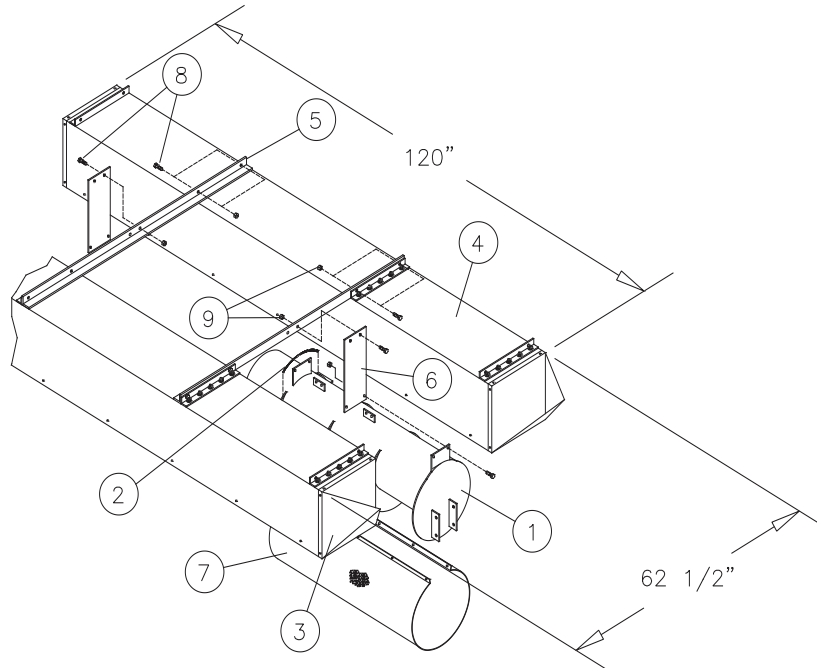
Ref.	Original Part No.	Description
1	3040543	Pipe, Intake, Suction, 12"
2	0352823	Clamp, All Thread, Intake Screen
3	0357921	Caster Ass'y, Intake
4	0475988	Screen Weldment, Suction Intake
5	0619403	Screw, 1/2-13 x 1", Hex
6	0624189	Nut, 1/2-13, Lock
7	0624205	Nut, 3/8-16, Lock



# M-Lateral Systems

## In-Line Ditch Fed Cart, Suction Screen, Earthen Ditch, 0121210

The Intake Modules consist of the previous mentioned Derrick, Intake Pipe and this Screen Assembly



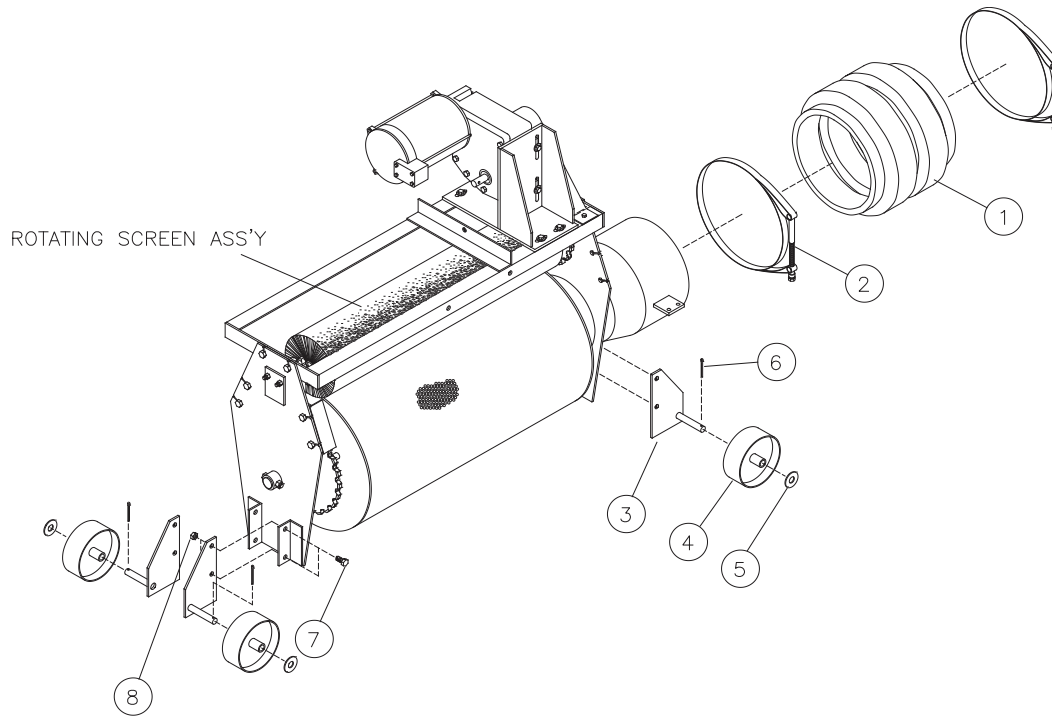
Ref.	Original Part No.	Description
1	3040543	Pipe, Intake, Suction, 12"
2	0352823	Clamp, All Thread, Intake Screen
3	0643726	Shoe, Skid, Float
4	0377887	Float Assembly, 15-1/2" Square
5	0377903	Tie, Float, Intake
6	0378026	Float Support, Intake
7	0475988	Screen Weldment, Suction Intake
8	2607604	Screw, 1/2-13 x 1-12", Hex
9	0624189	Nut, 1/2-13, Lock



# M-Lateral Systems

## In-Line Ditch Fed Cart, Rotary Screen, Concrete, 0121186

The Intake Modules consist of the previous mentioned Derrick, Intake Pipe and this Screen Assembly

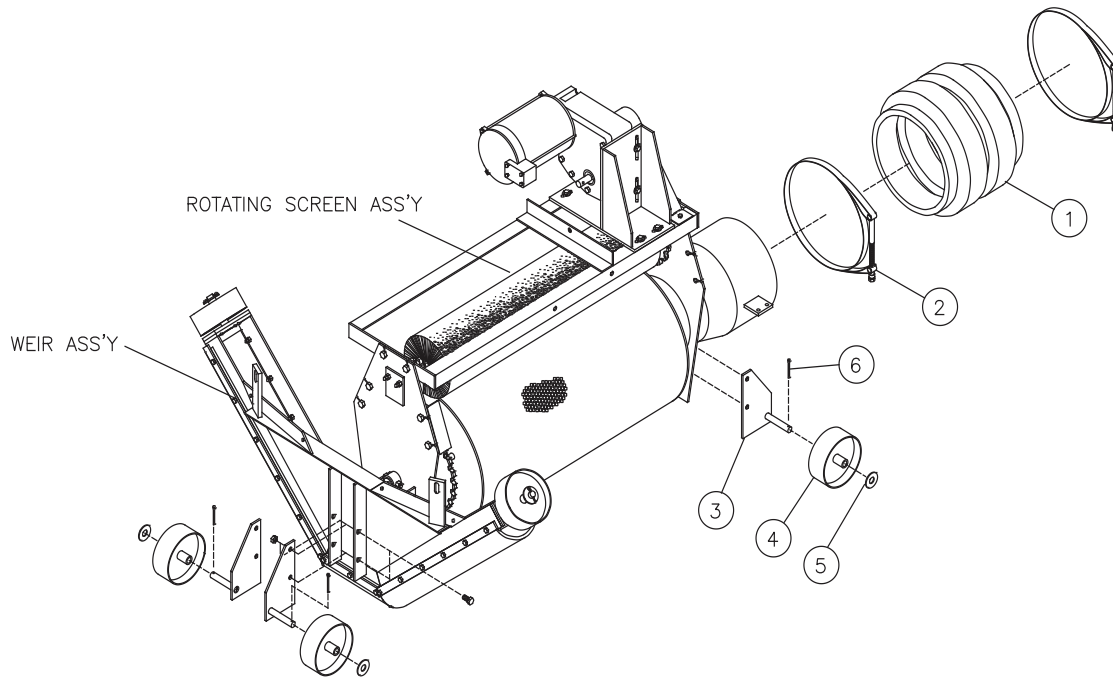


Ref.	Original Part No.	Description
1	0643320	Coupler, Rubber, Double Volute
2	0643346	Clamp, Hose, T-bolt, 12"
3	0365486 0365494	Wheel Support, Left Wheel Support, Right
4	0457960	Wheel, Side Carriage, Intake
5	0608190	Washer, 3/4", Flat
6	0608349	Pin, Cotter, 1/8" x 1-1/2"
7	0619403	Screw, 1/2-13 x 1", Hex
8	0624189	Nut, 1/2-13, Lock



# M-Lateral Systems

## In-Line Ditch Fed Cart, Rotary Screen, Concrete, Weir, 0121202

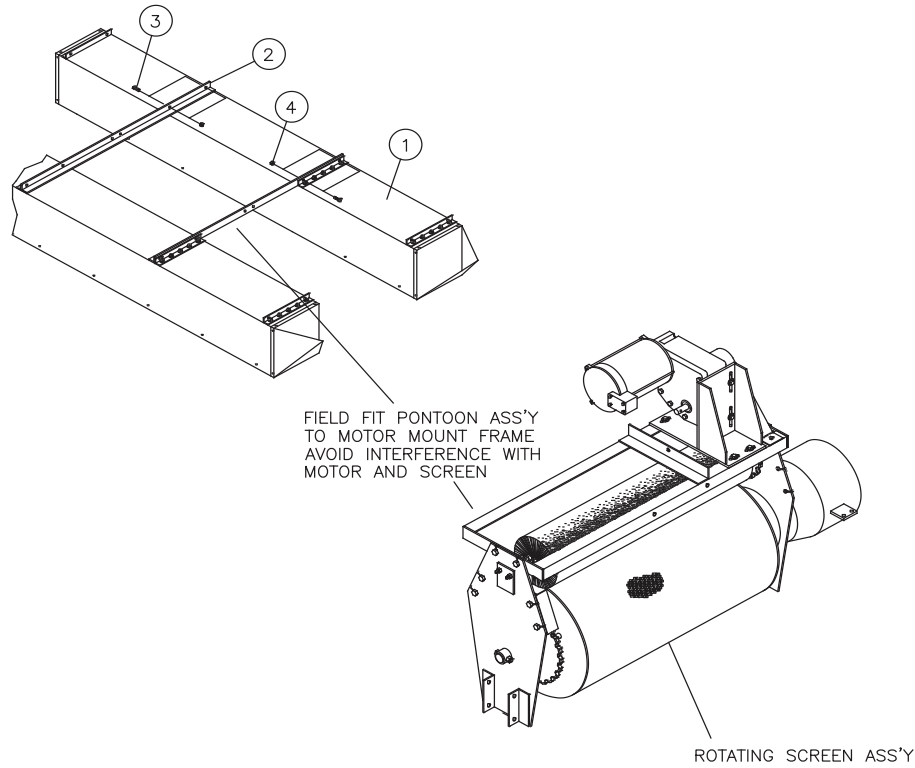


Ref.	Original Part No.	Description
1	0643320	Coupler, Rubber, Double Volute
2	0643346	Clamp, Hose, T-bolt, 12"
3	0365486	Wheel Support, Left
	0365494	Wheel Support, Right
4	0457960	Wheel, Side Carriage, Intake
5	0608190	Washer, 3/4", Flat
6	0608349	Pin, Cotter, 1/8" x 1-1/2"



# M-Lateral Systems

## In-Line Ditch Fed Cart, Rotary Screen, Earthen Ditch, 0121228

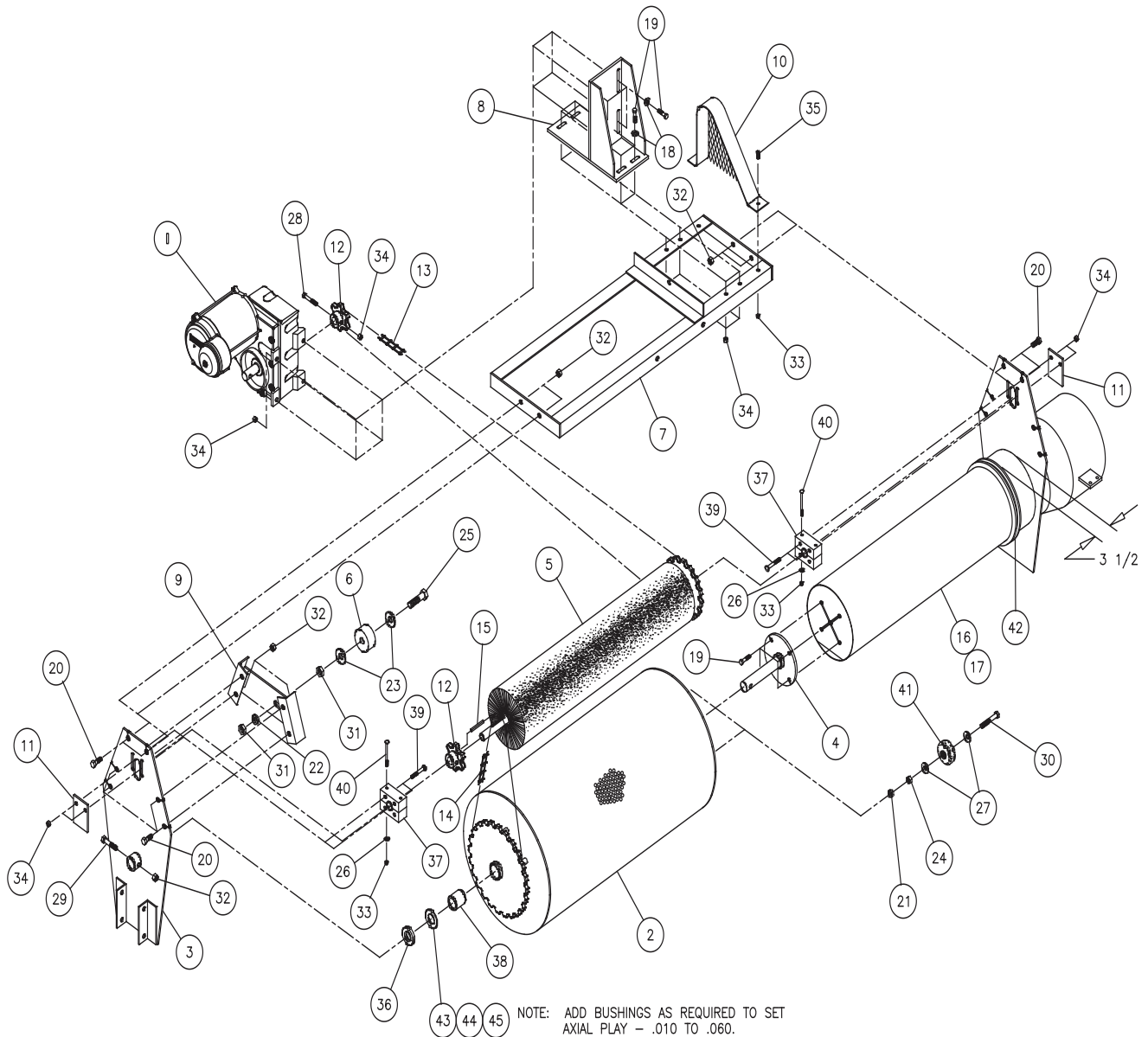


Ref.	Original Part No.	Description
1	0377887	Float Assembly, 15-1/2" Square
2	0377903	Tie, Float, Intake
3	2607604	Screw, 1/2-13 x 1-1/2", Hex
4	0624189	Nut, 1/2-13, Lock



# M-Lateral Systems

## In-Line Ditch Fed Cart, Rotary Screen Ass'y, 0357798 & 0359034



See next page for corresponding part numbers.



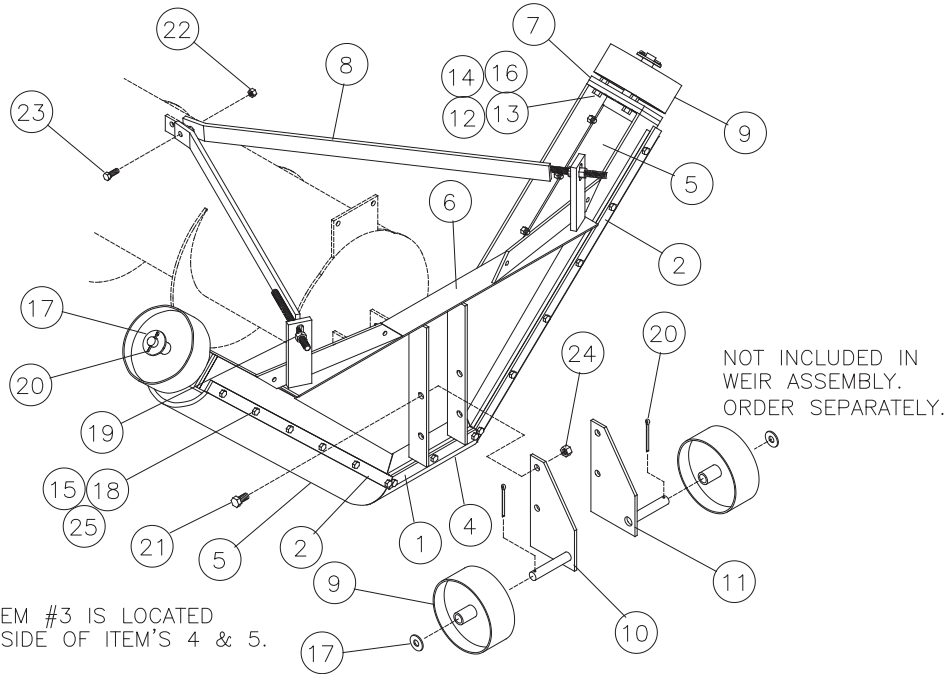
# M-Lateral Systems

Ref.	Original Part No.	Description
1	0341842	Motor Ass'y, 3/4 HP, 43 RPM
2	0357335	Rotating Screen Drum
3	0357467	Outer Screen Support
4	0357491	Drum Axle Weldment, RS
5	0357533	Brush Weldment
6	0357558	Idler, Rotary Screen, Delrin
7	0357582	Motor Frame, Rotary Screen
8	0357632	Motor Mount
9	0357673	Idler Mount
10	0357707	Drive Chain Shield, RS
11	0357731	Brush Shaft Stop, RS
12	0357749	Sprocket, Weldment, 6 Tooth
13	0357764	Chain, Brush Drive, 25 Link
14	0357772	Chain, Brush Drive, 33 Link
15	0359869	Key, 1/4 x 1/4 x 2-11/16"
16	0359885	Pipe, Straddle Intake
17	0359893	Pipe, Side Intake
18	0602508	Washer, 3/8", Flat
19	0608034	Screw, 3/16-16 x 1-1/2", Hex
20	0608042	Screw, 1/2-13 x 1-1/4", Hex
21	0608141	Washer, 1/2", Lock
22	0608166	Washer, 3/4", Lock
23	0608190	Washer, 3/4", Flat
24	0608240	Nut, 1/2-13, Hex
25	0608372	Screw, 3/4-10 x 3", Hex
26	0608422	Washer, 1/4", Flat
27	0608430	Washer, 1/2", Flat
28	0622274	Screw, 3/8-16 x 2-1/2", Hex
29	0623041	Screw, 1/2-13 x 2-1/2", Hex
30	0623074	Screw, 1/2-13 x 3-1/4", Hex
31	0623686	Nut, 3/4-10, Hex, Jam
32	0624189	Nut, 1/2-13, Lock
33	0624197	Nut, 1/4-20, Lock
34	0624205	Nut, 3/8-16, Lock
35	0634451	Screw, 1/4-20 x 3/4", Hex
36	0636688	Washer, 3/8x 1-3/8", Special
37	0636696	Bearing, Brush, RS
38	0636704	Bearing, Axle, RS
39	0636720	Screw, 3/8-16 x 2-3/4", Round Head
40	0636738	Screw, 1/4-20 x 3-1/2", Round Head
41	0636746	Castor Wheel, 3" OD, 1/2" ID
42	0637785	V-Ring, Gasket, 9.25-10.43
43	0639047	Bushing, 2-1/2 x 1-3/8", 10 Ga.
44	0639054	Bushing, 2-1/2 x 1-3/8", 14 Ga.
45	0639062	Bushing, 2-1/2 x 1-3/8", 18 Ga.



# M-Lateral Systems

## In-Line Ditch Fed Cart, Weir Ass'y, 0353334



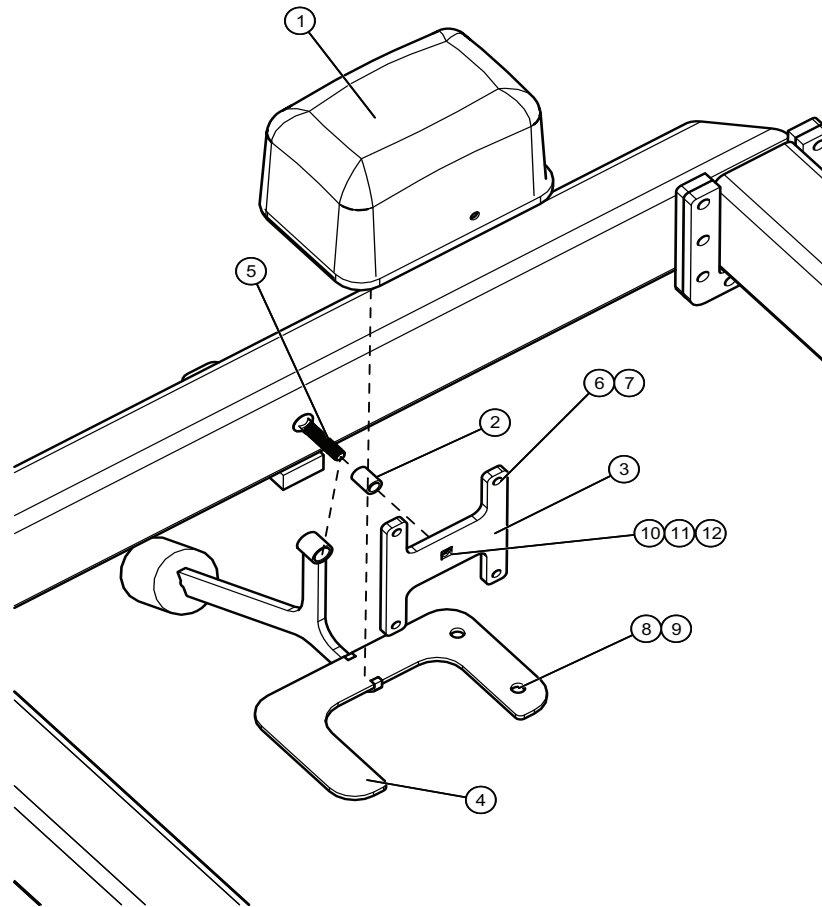
Ref.	Original Part No.	Description
1	0453274	Clamp, Short, Weir Seal
2	0453282	Clamp, Long, Weir Seal
3	0353292	Weir Liner
4	0353300	Weir Seal, Bottom
5	0353318	Weir Seal, Side
6	0353326	Weir Frame Weldment
7	0353409	Wheel Axle Weldment
8	0353458	Weir Stabilizer
9	0357962	Wheel, Side Carriage
10	0365486	Wheel Support, Left
11	0365494	Wheel Support, Right
12	0601203	Nut, 3/8-16, Hex

Ref.	Original Part No.	Description
13	0602508	Washer, 3/8", Flat
14	0608034	Screw, 3/8-16 x 1-1/2", Hex
15	0608125	Washer, 5/16", Lock
16	0608133	Washer, 3/8", Lock
17	0608190	Washer, 3/4", Flat
18	0608224	Nut, 5/16-18, Hex
19	0608240	Nut, 1/2-13, Hex
20	0608349	Pin, Cotter, 1/8" x 1-1/2"
21	0619403	Screw, 1/2-13 x 1", Hex
22	0622274	Screw, 3/8-16 x 2-1/4", Hex
23	0622282	Nut, 3/8-16, Lock, Nylon
24	0624189	Nut, 1/2-13, Lock
25	0631465	Screw, 5/16-18 x 1-1/2", Hex



# M-Lateral Systems

## Ditch Fed Cart, System Guidance Buried Wire Guidance Antenna, Transverse Cart Mounted

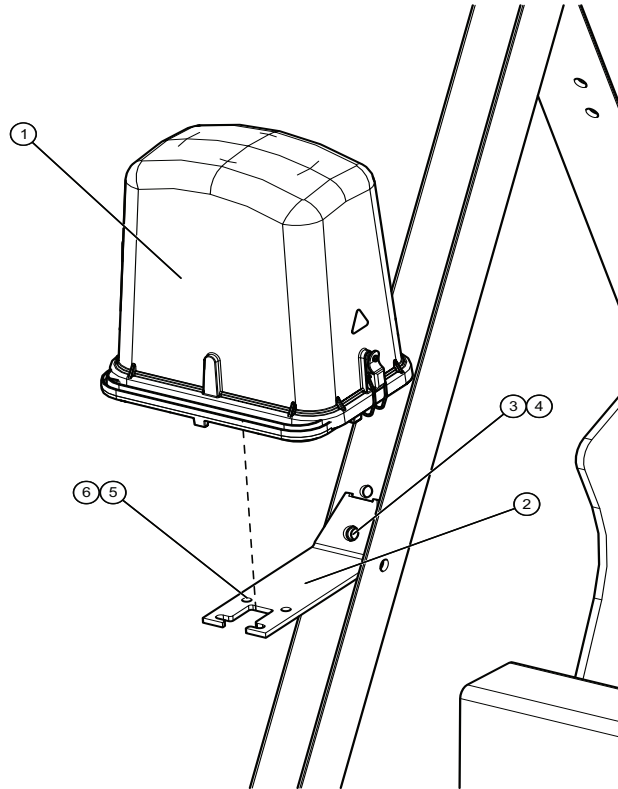


Ref.	Original Part No.	Description
1	0199837	Antenna, Ass'y, BWG
2	1603679	Bearing, 3/4" x 1"
3	1603687	Plate, Back, BWG
4	1603686	Mount, BWG, Pendulum
5	1603683	Bolt, Plow, 1/2-13 x 2-1/2"
6	0635391	Bolt, U, 3/4-10 x 6-3/8" x 6"
7	0624171	Nut, 3/4-10, Lock
8	0608224	Nut, 5/16-18 x 1-1/2", Hex
9	0631465	Screw, 5/16-18 x 1-1/2", Hex
10	1608531	Washer, 1/2", Spring
11	0608430	Washer, 1/2", Flat
12	0624189	Nut, 1/2-13, Lock



# M-Lateral Systems

## Buried Wire Guidance Junction Box, Cart Mounted

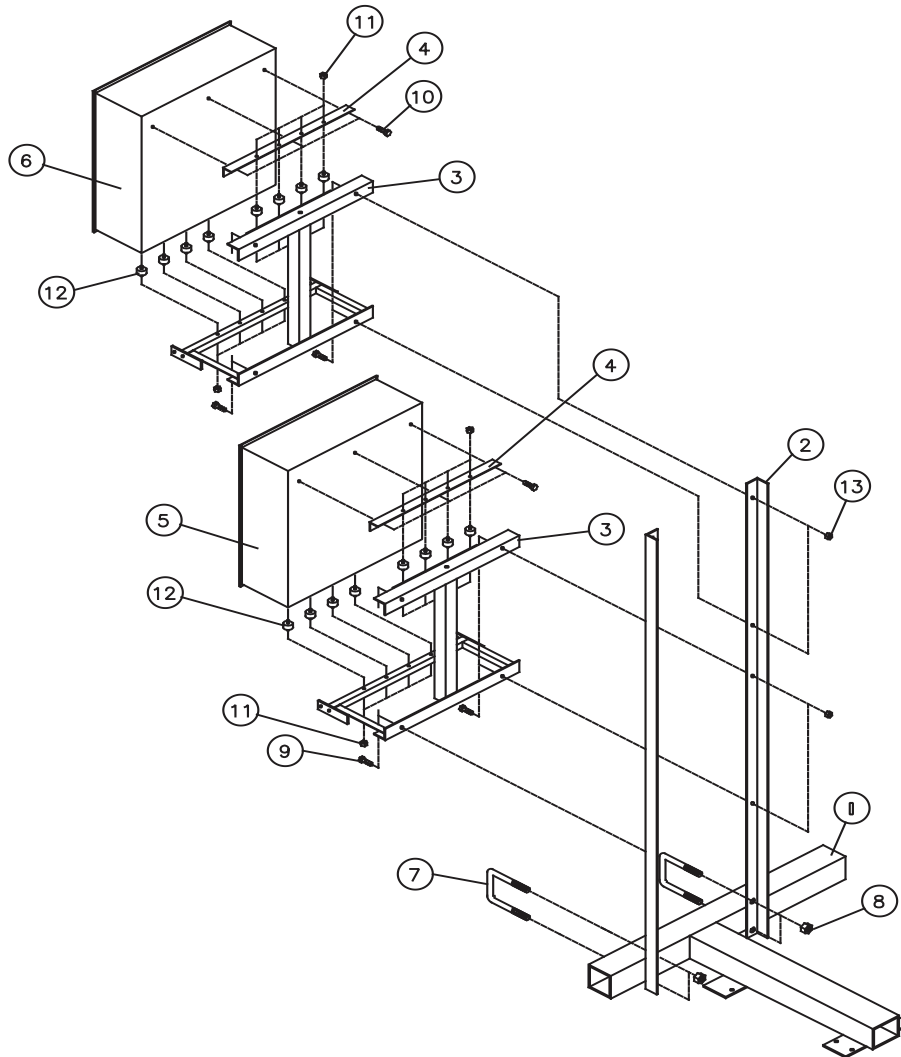


Ref.	Original Part No.	Description
1	1100122	Junction Box, Ass'y, BWG
2	0409003	Mount, Booster Pump
3	0608059	Screw, 1/2-13 x 2", Hex
4	0604189	Nut, 1/2-13, Lock
5	0631465	Screw, 5/16-18 x 1-1/2", Hex
6	0602623	Nut, 5/16-18, Lock



# M-Lateral Systems

## Buried Wire Guidance Panel, Cart Mounted

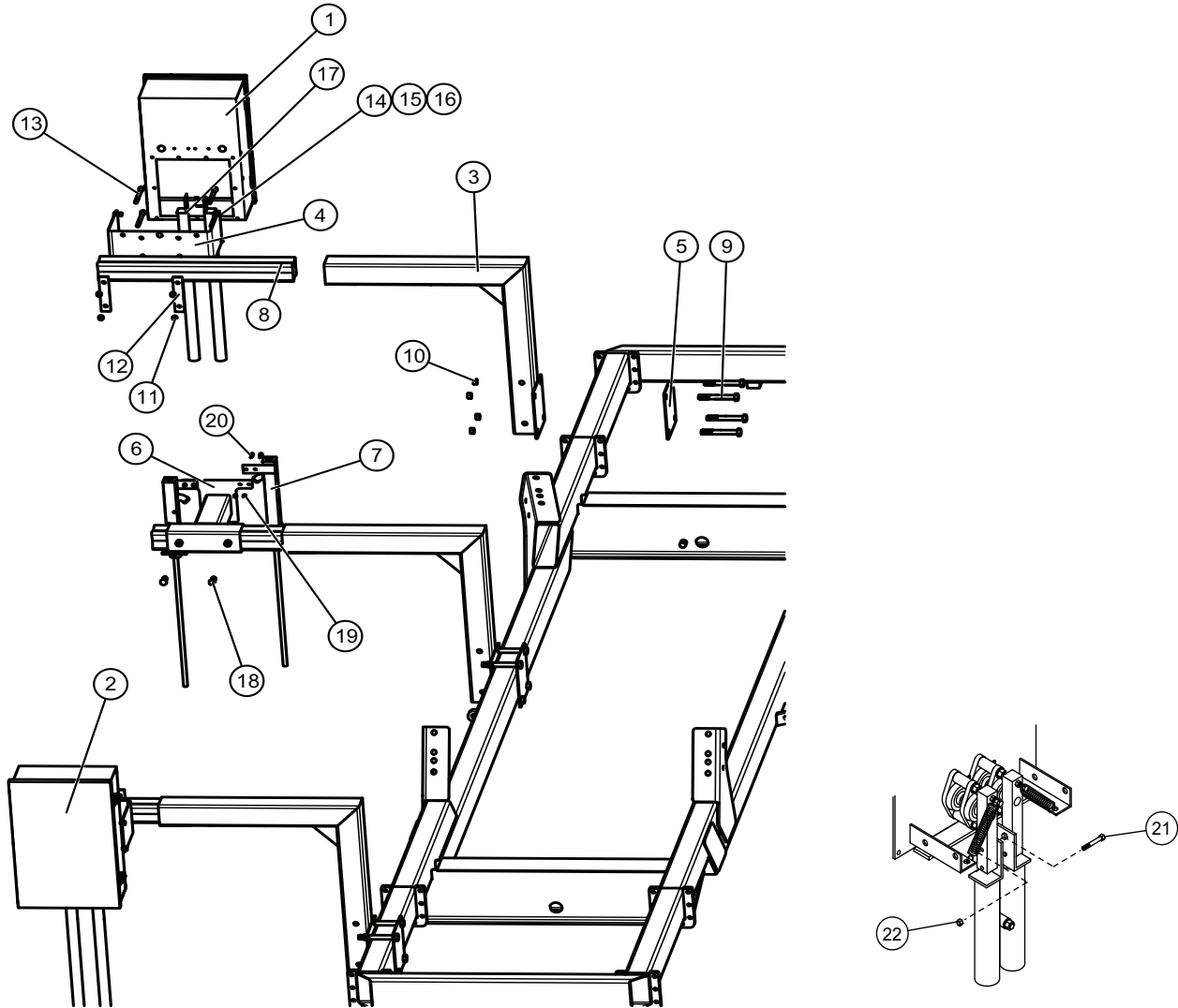


Ref.	Original Part No.	Description
1	1601356	Mount, Weldment, Panel, 4WC
2	1608675	Angle, Panel Mount, BWG
3	0465047	Bracket, Main Panel
4	0359919	Mount, Angle, Panel
5	1131358	Panel, BASIC
	1600500	Panel, VISION, 380V, CE
	1600501	Panel, VISION, 480V
6	1101112	Panel, Buried Wire Guidance
7	0635391	Bolt, U, 3/14-10 x 6-3/8" x 6"
8	0624171	Nut, 3/4-10, Lock
9	0622217	Screw, 3/8-16 x 1", Hex
10	0631481	Screw, 1/4-20 x 5/8", Hex
11	0608414	Nut, 1/4-20, Lock
12	0638494	Mount, Rubber
13	0624205	Nut, 3/8-16, Lock



# M-Lateral Systems

## Above Ground Guidance Panel, Transverse Cart Mounted



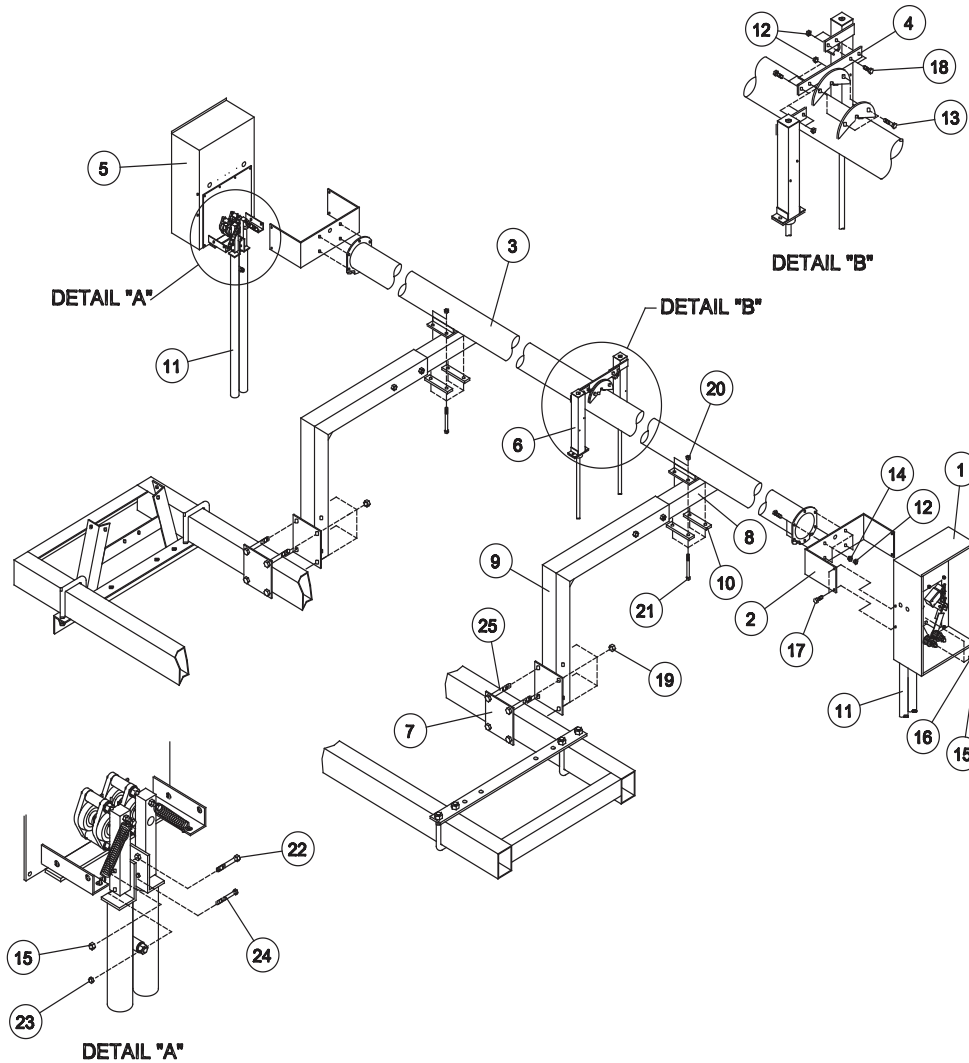
Ref.	Original Part No.	Description
1	0352930	Panel Ass'y, Guidance, Forward
2	0359745	Panel Ass'y, Guidance, Reverse
3	0372284	Beam, Weld., Guidance Panel Support
4	0353607	Mount, Guidance Panel
5	0372243	Plate, Guidance Panel Support
6	1603761	Safety Guidance Mount Weldment
7	1603776	Switch, Quill Ass'y, Safety
8	0372276	Tube, Telescoping, Guidance
9	0637595	Screw, 3/4-10 x 6", Hex
10	0624171	Nut, 3/4-10, Lock

Ref.	Original Part No.	Description
11	0624189	Nut, 1/2-13, Lock
12	0452730	Plate, Battery Box Anchor
13	0630707	Screw, 1/2-13 x 5-1/2", Hex
14	0602508	Washer, 3/8", Flat
15	0601203	Nut, 3/8-16, Lock
16	0622217	Screw, 3/8-16 x 1", Hex
17	1603771	Quill, Weldment, Panel
18	0608398	Screw, 5/8-11 x 1-1/2", Hex
19	0608224	Nut, 5/16-18, Lock
20	0608026	Screw, 5/16-18 x 1", Hex
21	0634295	Screw, 1/4-20 x 1-3/4", Hex
22	0608414	Nut, 1/4-20, Hex



# M-Lateral Systems

## Above Ground Guidance Panel, In-Line Cart Mounted



Ref.	Original Part No.	Description
1	0352930	Panel Ass'y, Guidance, Forward
2	0353607	Mount, Guidance Panel
3	0353664	Support Tube, Guidance Panel
4	0353722	Mount, Safety Switch
5	0359745	Panel Ass'y, Guidance, Reverse
6	0358945	Switch, Quill Ass'y, Safety
7	0372243	Plate, Guidance Panel Support
8	0372276	Tube, telescoping, Guidance
9	0372284	Beam, Weldment, Guidance Support
10	0452730	Plate, Battery Box Anchor
11	0453928	Guidance Quill Weldment
12	0601203	Nut, 3/8-16, Hex

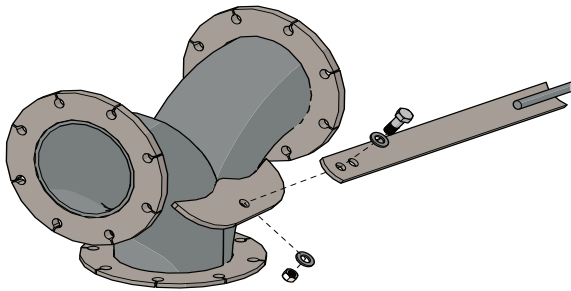
Ref.	Original Part No.	Description
13	0608034	Screw, 3/8-16 x 1-1/2", Hex
14	0608133	Washer, 3/8", Lock
15	0608414	Nut, 1/4-20, Hex
16	0615104	Washer, 1/4", Lock
17	0615807	Screw, 1/4-20 x 1", Hex
18	0622217	Screw, 3/8-16 x 1", Hex
19	0624171	Nut, 3/4-10, Lock
20	0624189	Nut, 1/2-13, Lock
21	0630707	Screw, 1/2-13 x 5-1/2", Hex
22	0634295	Screw, 1/4-20 x 1-3/4", Hex
23	0634303	Nut, #8-32 x 1-1/2", Hex
24	0634311	Screw, #8-32 x 1-1/2", Hex
25	0637595	Screw, 3/4-10 x 6", Hex



# M-Lateral Systems

## Intake Spans, All Lateral Systems

### Truss Rod, Intake Span, 1602129



Refer to the Center Pivot Span section for standard truss and stabilizer part numbers. This information will only refer to the Intake Spans and Ditch Fed Cart Stabilizer.

## Intake Span Pipes

### 6-5/8" Intake Span Pipes

Ref.	Original Part No.	Description
1	1136498	Pipe, Span, 90" Outlet Space
2	1133560	Pipe, Span, 30" Outlet Space
3	1602238	Pipe, Span, Intake, 90" Outlet Space
4	1602239	Pipe, Span, Intake, 30" Outlet Space
5	1136480	Pipe, Half, 90" Outlet Space
6	1133552	Pipe, Half, 30" Outlet Space
7	1603391	Pipe, Half, Intake, 90" Outlet Space
8	1603394	Pipe, Half, Intake, 30" Outlet Space
9	1345050	Pipe, Half, Poly, 90" Outlet Space
10	1354840	Pipe, Half, Poly, 30" Outlet Space
11	1603339	Pipe, Half, Poly, Intake, 90" Outlet Space
12	1603354	Pipe, Half, Poly, Intake, 30" Outlet Space

### 8" Intake Span Pipes

Ref.	Original Part No.	Description
1	1136555	Pipe, Span, 90" Outlet Space
2	0309179	Pipe, Span, 30" Outlet Space
3	1603331	Pipe, Span, Intake, 90" Outlet Space
4	1603332	Pipe, Span, Intake, 30" Outlet Space
5	1136548	Pipe, Half, 90" Outlet Space
6	0309138	Pipe, Half, 30" Outlet Space
7	1603390	Pipe, Half, Intake, 90" Outlet Space
8	1603393	Pipe, Half, Intake, 30" Outlet Space
9	1355050	Pipe, Half, Poly, 90" Outlet Space
10	1355070	Pipe, Half, Poly, 30" Outlet Space
11	1603338	Pipe, Half, Poly, Intake, 90" Outlet Space
12	1603353	Pipe, Half, Poly, Intake, 30" Outlet Space

### 8-5/8" Intake Span Pipes

Ref.	Original Part No.	Description
1	1437120	Pipe, Span, 90" Outlet Space
2	1437160	Pipe, Span, 30" Outlet Space
3	1602236	Pipe, Span, Intake, 90" Outlet Space
4	1602237	Pipe, Span, Intake, 30" Outlet Space
5	1437130	Pipe, Half, 90" Outlet Space
6	1437170	Pipe, Half, 30" Outlet Space
7	1603389	Pipe, Half, Intake, 90" Outlet Space
8	1603392	Pipe, Half, Intake, 30" Outlet Space
9	1445300	Pipe, Half, Poly, 90" Outlet Space
10	1445310	Pipe, Half, Poly, 30" Outlet Space
11	1603337	Pipe, Half, Poly, Intake, 90" Outlet Space
12	1603352	Pipe, Half, Poly, Intake, 30" Outlet Space

### 10" Intake Span Pipes

Ref.	Original Part No.	Description
1	1136571	Pipe, Span, 90" Outlet Space
2	0309492	Pipe, Span, 30" Outlet Space
3	1602234	Pipe, Span, Intake, 90" Outlet Space
4	1602235	Pipe, Span, Intake, 30" Outlet Space
5	1136563	Pipe, Half, 90" Outlet Space
6	0309534	Pipe, Half, 30" Outlet Space

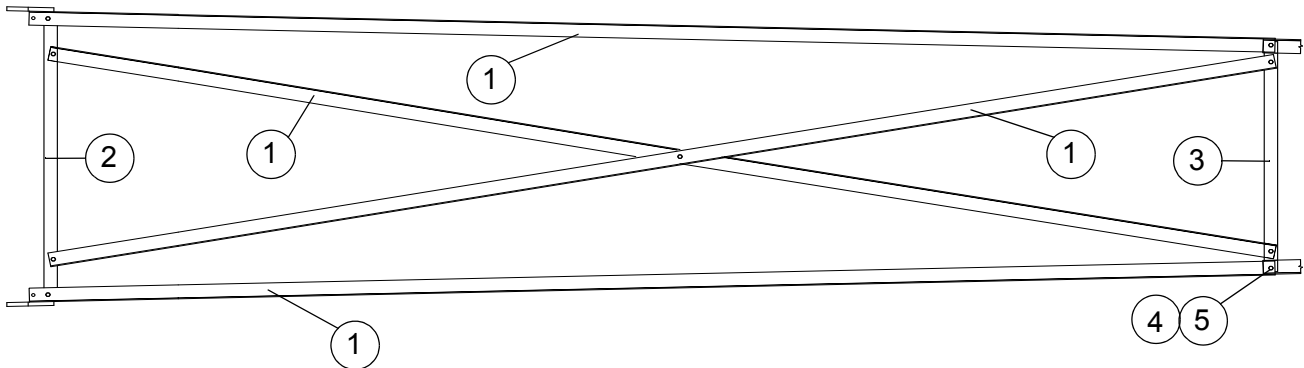


# M-Lateral Systems

## Intake Span, Pivot End Joints

Ref.	Original Part No.	Description
1	1100627	Pivot End Joint, 6-5/8" Span
2	1160985	Pivot End Joint, 6-5/8" Span, Poly
3	1100627	Pivot End Joint, 8" Span
4	1164821	Pivot End Joint, 8" Span, Poly
5	0306803	Pivot End Joint, 8" Half Pipe Span
6	1437790	Pivot End Joint, 8-5/8" Span
7	1445500	Pivot End Joint, 8-5/8" Span, Poly
8	0309625	Pivot End Joint, 10" Span

## Ditch Fed Intake Stabilizer

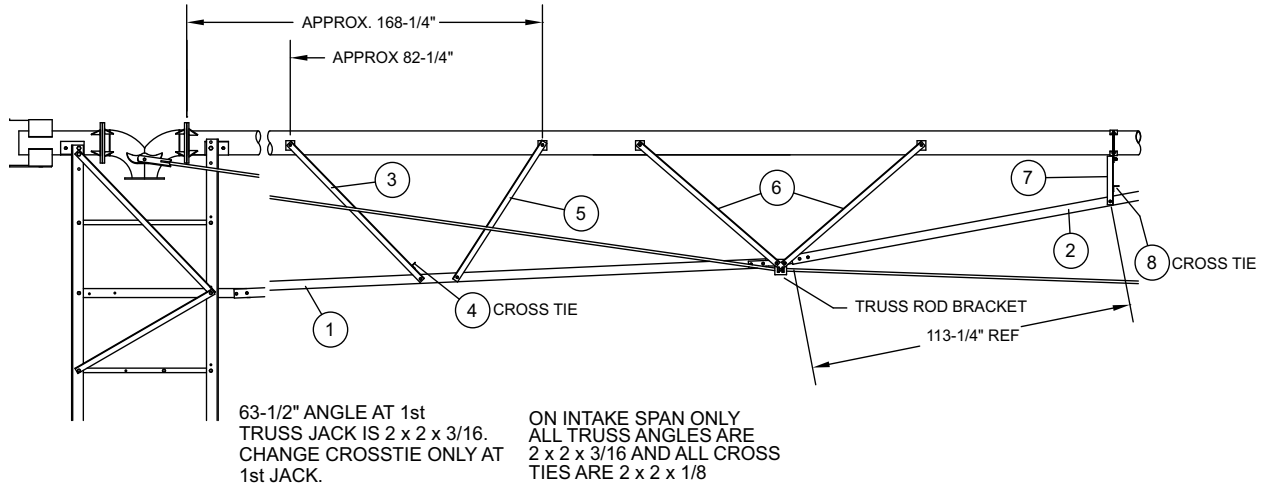


Ref.	Original Part No.	Description
1	1603444	Stabilizer Angle, Ditch Fed Intake
2	1001403	Stabilizer Strap, Truss End
3	1001387	Stabilizer Strap, Cart End
4	0608042	Screw, 1/2-13 x 1-1/4", Hex
5	0624189	Nut, 1/2-13, Lock



# M-Lateral Systems

## Ditch Fed Intake Stabilizer, con't

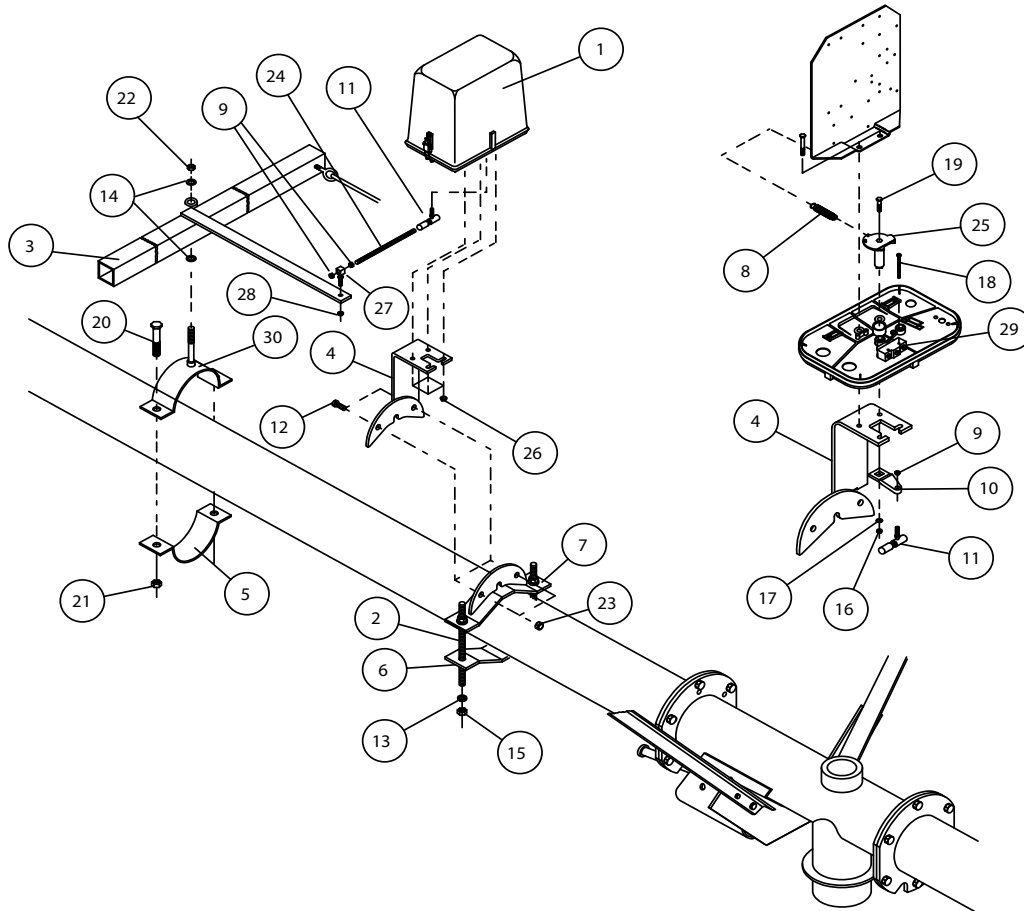


Ref.	Original Part No.	Description
1	1603444	Stabilizer Angle, Ditch Fed Intake
2	0307280	Angle, Stabilizer, 2nd, Intake Tower
3	1001361	Brace, Truss, Intake, 63-1/2"
4	0307322	Tie, Stabilizer, Intake, 57"
5	0311142	Brace, Truss, Intake, 59"
6	0367094	Brace, Truss, Span, 63-1/2"
7	0307462	Brace, 2nd Stabilizer, Intake, 21-7/8"
8	1098185	Tie, 2nd Stabilizer, 32"



# M-Lateral Systems

## Twist Safety



Ref.	Original Part No.	Description
1	0379883	Panel, Tower Control, Last
2	0352724	Rod, Threaded, 1/2-13 x 9"
3	0410043	Arm Weld, Wire Align, 10"
4	0328229	Mount, Weld, Tower Panel
5	0432724	Clamp, Saddle, 6-5/8"
6	0472431	Clamp, Saddle, 5-9/16" to 8"
7	0472449	Mount, Universal, Tower Panel
8	0602128	Spring, Special
9	0602409	Nut, 5/16-24, Hex
10	0604603	Arm, Cam, Tower Control Panel
11	0604702	Joint, Ball, Quick Connect
12	0608034	Screw, 3/8-16 x 1-1/2", Hex
13	0608141	Washer, 1/2", Lock
14	0608190	Washer, 3/4", Flat

Ref.	Original Part No.	Description
15	0608240	Nut, 1/2-13, Hex
16	0608414	Nut, 1/4-20, Hex
17	0608422	Washer, 1/4", Flat
18	0608513	Screw, #6-32 x 1", Philister Pan Head
19	0608620	Screw, 1/4-20 x 1", Philister Pan Head
20	0624064	Screw, 5/8-11 x 2-1/2", Hex
21	0624163	Nut, 5/8-11, Lock
22	0624171	Nut, 3/4-10, Lock
23	0624205	Nut, 3/8-16, Lock
24	0637181	Rod, Link, 5/16-24 x 6"
25	0637512	Cam, Tower Panel
26	0643643	Nut, 5/16-18, Lock
27	0644112	Joint, Adjust, Ball, Swivel
28	1112440	Nut, 1/4-20, Lock
29	0990309	Switch, Micro, SPDT, 15A
30	0379883	Mount Weldment, Fulcrum Bolt

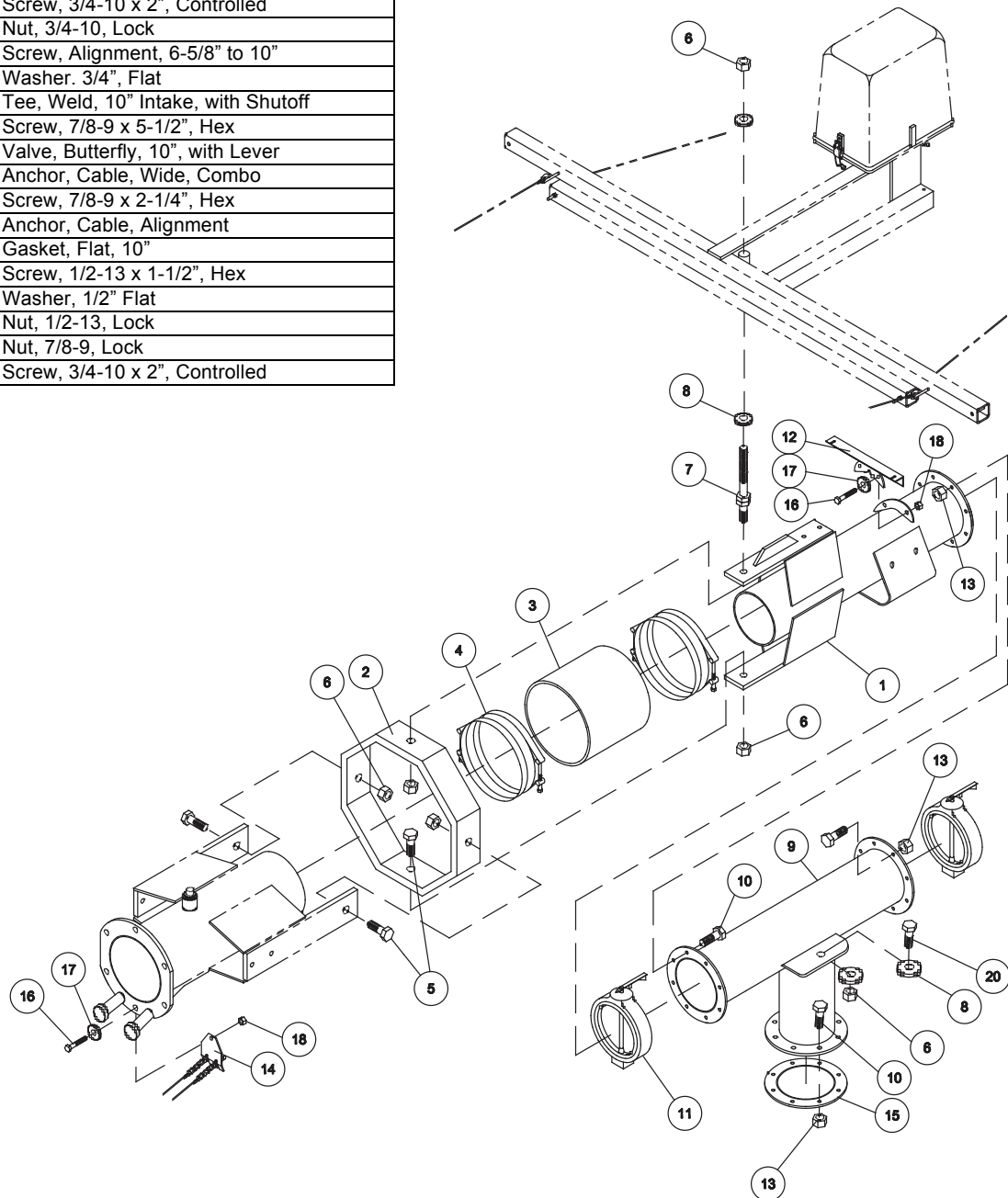


# M-Lateral Systems

## Lateral Tower Joints

### Cart Joint, Center & Off-Center, 10" with Shutoff, 0182720

Ref.	Original Part No.	Description
1	1602255	Joint, Tower End, 10", Intake
2	0468157	Ring, Octagon, 8"
3	0646984	Hose, 150 PSI, 10" x 9-3/4"
4	0646992	Clamp, T-Bolt, 10"
5	1177104	Screw, 3/4-10 x 2", Controlled
6	0624171	Nut, 3/4-10, Lock
7	1015544	Screw, Alignment, 6-5/8" to 10"
8	0640102	Washer, 3/4", Flat
9	1602240	Tee, Weld, 10" Intake, with Shutoff
10	1603461	Screw, 7/8-9 x 5-1/2", Hex
11	1213930	Valve, Butterfly, 10", with Lever
12	1015494	Anchor, Cable, Wide, Combo
13	1224040	Screw, 7/8-9 x 2-1/4", Hex
14	1011576	Anchor, Cable, Alignment
15	0634105	Gasket, Flat, 10"
16	2607604	Screw, 1/2-13 x 1-1/2", Hex
17	0608430	Washer, 1/2" Flat
18	0608189	Nut, 1/2-13, Lock
19	0637199	Nut, 7/8-9, Lock
20	1291750	Screw, 3/4-10 x 2", Controlled

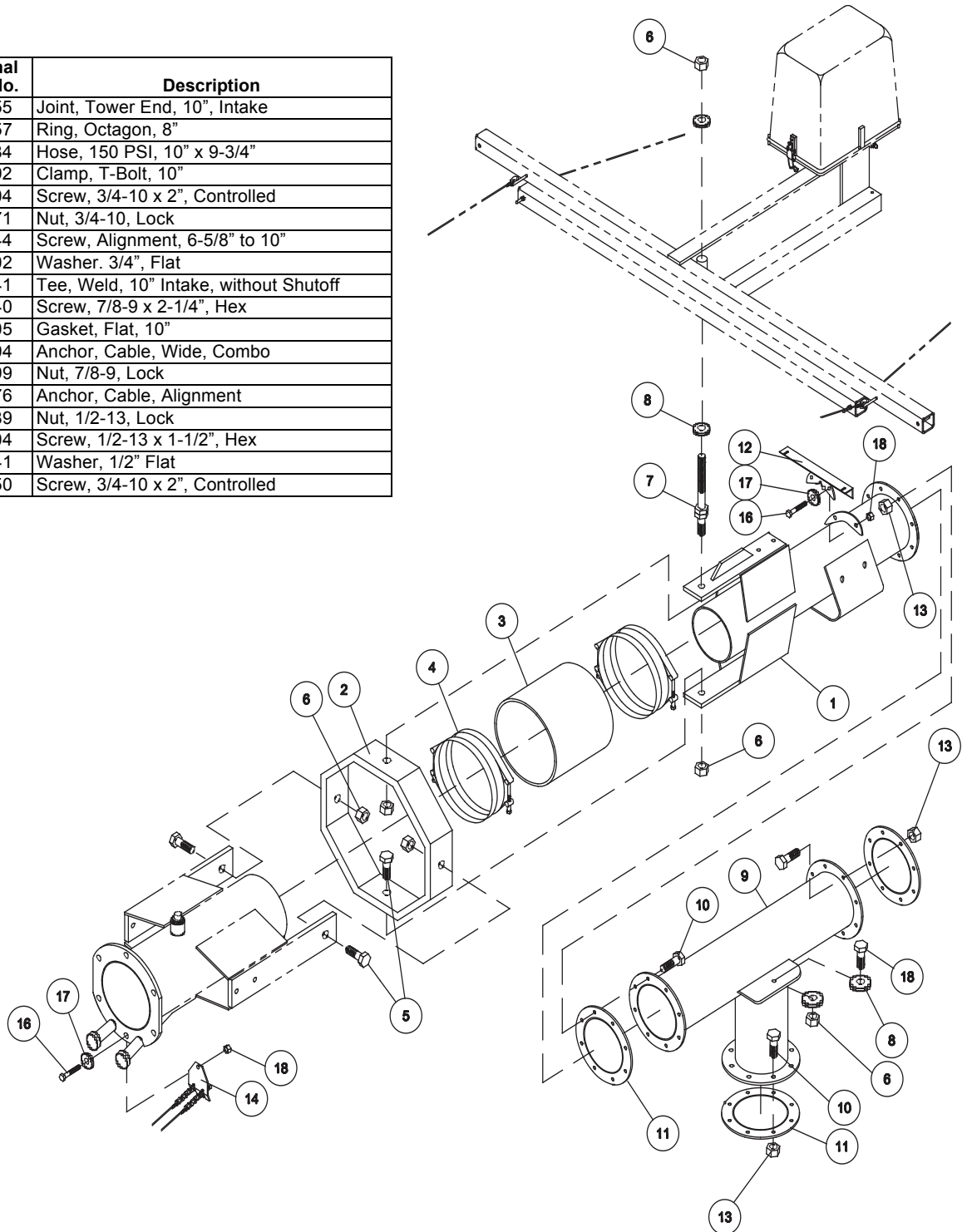




# M-Lateral Systems

## Cart Joint, Center & Off-Center, 10" without Shutoff, 0182730

Ref.	Original Part No.	Description
1	1602255	Joint, Tower End, 10", Intake
2	0468157	Ring, Octagon, 8"
3	0646984	Hose, 150 PSI, 10" x 9-3/4"
4	0646992	Clamp, T-Bolt, 10"
5	1177104	Screw, 3/4-10 x 2", Controlled
6	0624171	Nut, 3/4-10, Lock
7	1015544	Screw, Alignment, 6-5/8" to 10"
8	0640102	Washer, 3/4", Flat
9	1602241	Tee, Weld, 10" Intake, without Shutoff
10	1224040	Screw, 7/8-9 x 2-1/4", Hex
11	0634105	Gasket, Flat, 10"
12	1015494	Anchor, Cable, Wide, Combo
13	0637199	Nut, 7/8-9, Lock
14	1011576	Anchor, Cable, Alignment
15	0608189	Nut, 1/2-13, Lock
16	2607604	Screw, 1/2-13 x 1-1/2", Hex
17	0608141	Washer, 1/2" Flat
18	1291750	Screw, 3/4-10 x 2", Controlled



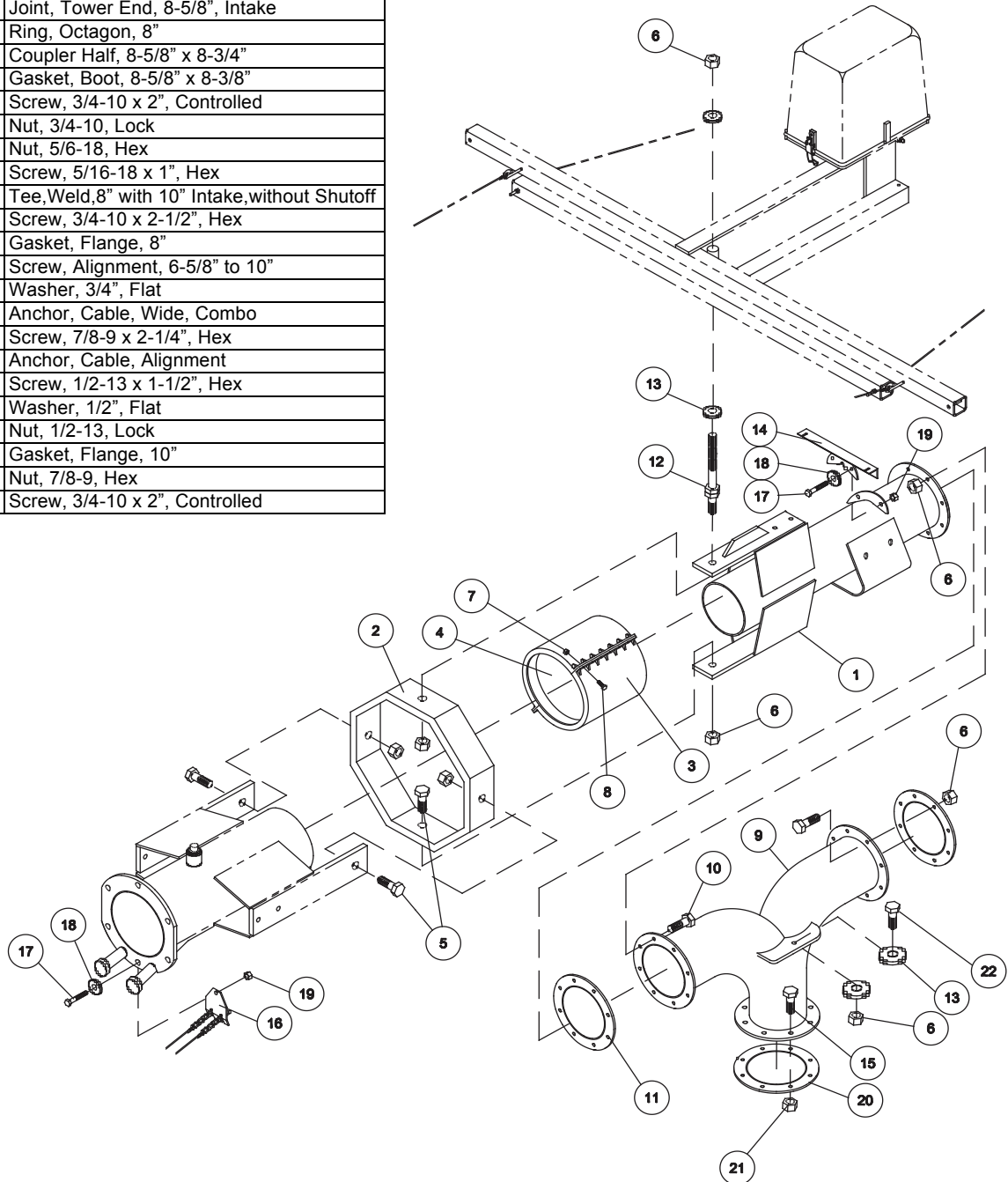




# M-Lateral Systems

## Cart Joint, Center & Off-Center, 10" to 8-5/8" Tee without Shutoff, 0184220

Ref.	Original Part No.	Description
1	1444640	Joint, Tower End, 8-5/8", Intake
2	0468157	Ring, Octagon, 8"
3	1443140	Coupler Half, 8-5/8" x 8-3/4"
4	1443130	Gasket, Boot, 8-5/8" x 8-3/8"
5	1177104	Screw, 3/4-10 x 2", Controlled
6	0624171	Nut, 3/4-10, Lock
7	0608224	Nut, 5/6-18, Hex
8	0608026	Screw, 5/16-18 x 1", Hex
9	1605547	Tee, Weld, 8" with 10" Intake, without Shutoff
10	0602615	Screw, 3/4-10 x 2-1/2", Hex
11	8707333	Gasket, Flange, 8"
12	1015544	Screw, Alignment, 6-5/8" to 10"
13	0640102	Washer, 3/4", Flat
14	1015494	Anchor, Cable, Wide, Combo
15	1224040	Screw, 7/8-9 x 2-1/4", Hex
16	1011576	Anchor, Cable, Alignment
17	2607604	Screw, 1/2-13 x 1-1/2", Hex
18	0608430	Washer, 1/2", Flat
19	0624189	Nut, 1/2-13, Lock
20	1087139	Gasket, Flange, 10"
21	0637199	Nut, 7/8-9, Hex
22	1291750	Screw, 3/4-10 x 2", Controlled

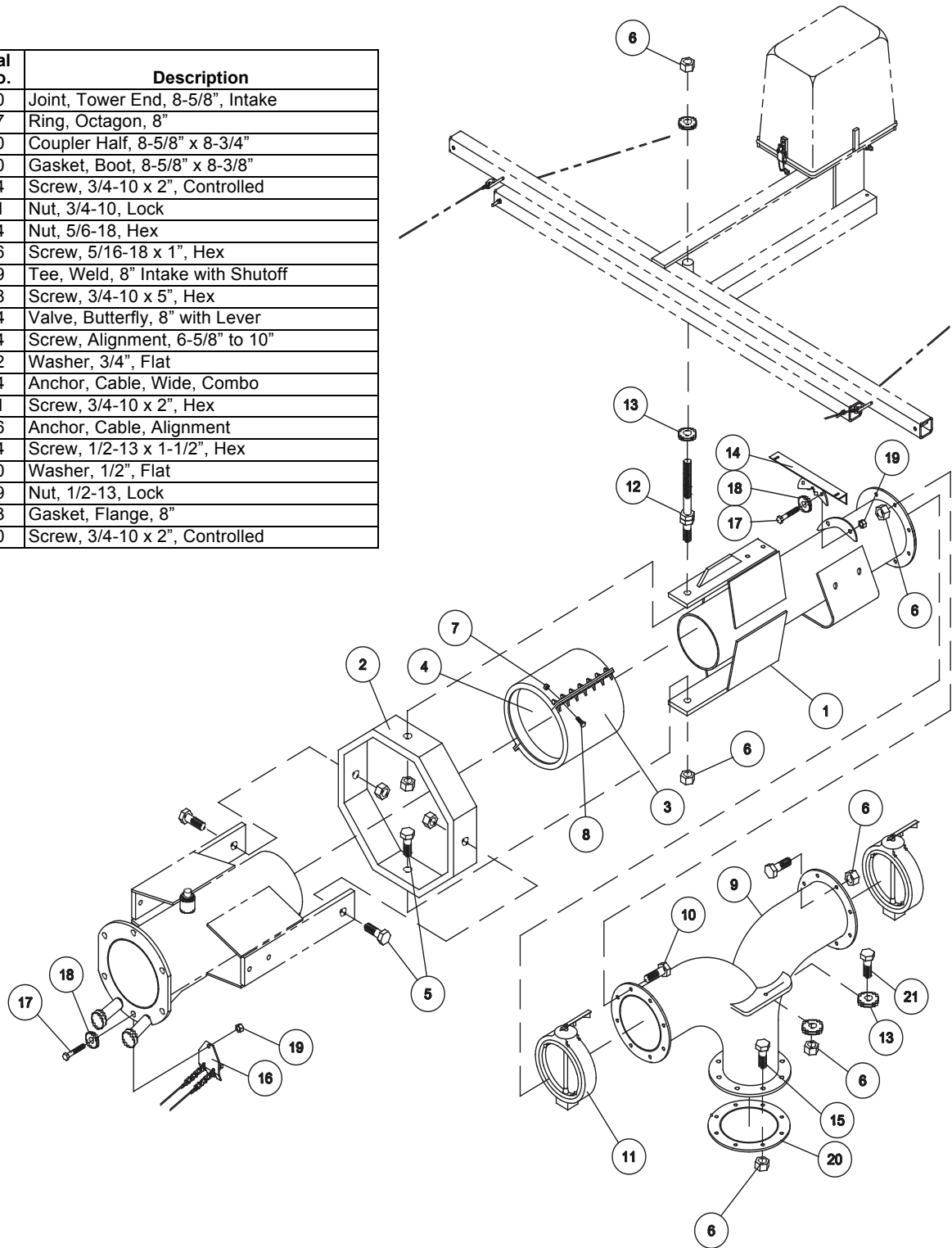




# M-Lateral Systems

## Cart Joint, Center & Off-Center, 8-5/8" with Shutoff, 0181810

Ref.	Original Part No.	Description
1	1444640	Joint, Tower End, 8-5/8", Intake
2	0468157	Ring, Octagon, 8"
3	1443140	Coupler Half, 8-5/8" x 8-3/4"
4	1443130	Gasket, Boot, 8-5/8" x 8-3/8"
5	1177104	Screw, 3/4-10 x 2", Controlled
6	0624171	Nut, 3/4-10, Lock
7	0608224	Nut, 5/6-18, Hex
8	0608026	Screw, 5/16-18 x 1", Hex
9	0372649	Tee, Weld, 8" Intake with Shutoff
10	2612398	Screw, 3/4-10 x 5", Hex
11	0638064	Valve, Butterfly, 8" with Lever
12	1015544	Screw, Alignment, 6-5/8" to 10"
13	0640102	Washer, 3/4", Flat
14	1015494	Anchor, Cable, Wide, Combo
15	0608091	Screw, 3/4-10 x 2", Hex
16	1011576	Anchor, Cable, Alignment
17	2607604	Screw, 1/2-13 x 1-1/2", Hex
18	0608430	Washer, 1/2", Flat
19	0624189	Nut, 1/2-13, Lock
20	8707333	Gasket, Flange, 8"
21	1291750	Screw, 3/4-10 x 2", Controlled

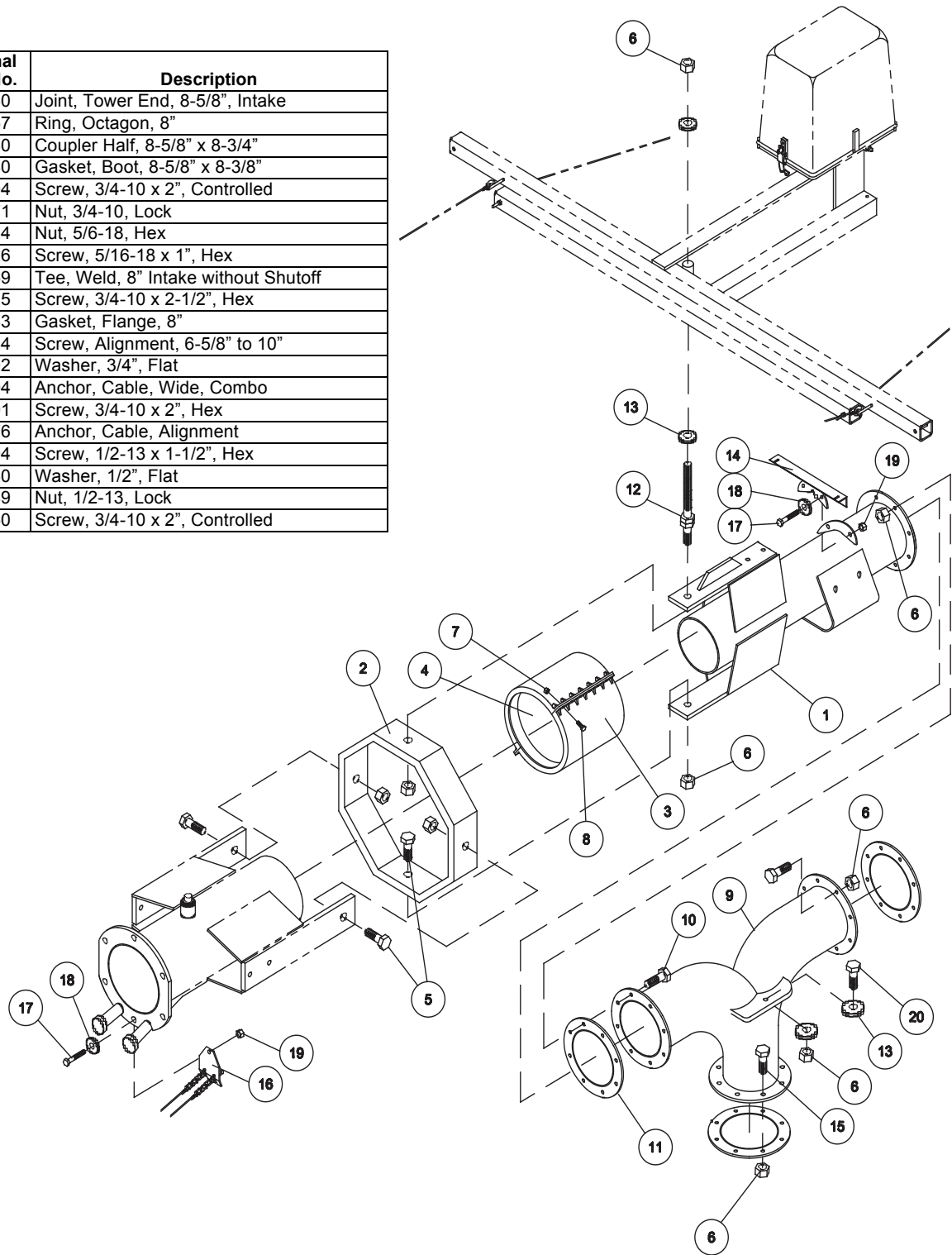




# M-Lateral Systems

## Cart Joint, Center & Off-Center, 8-5/8" without Shutoff, 0181800

Ref.	Original Part No.	Description
1	1444640	Joint, Tower End, 8-5/8", Intake
2	0468157	Ring, Octagon, 8"
3	1443140	Coupler Half, 8-5/8" x 8-3/4"
4	1443130	Gasket, Boot, 8-5/8" x 8-3/8"
5	1177104	Screw, 3/4-10 x 2", Controlled
6	0624171	Nut, 3/4-10, Lock
7	0608224	Nut, 5/6-18, Hex
8	0608026	Screw, 5/16-18 x 1", Hex
9	0372359	Tee, Weld, 8" Intake without Shutoff
10	0602615	Screw, 3/4-10 x 2-1/2", Hex
11	8707333	Gasket, Flange, 8"
12	1015544	Screw, Alignment, 6-5/8" to 10"
13	0640102	Washer, 3/4", Flat
14	1015494	Anchor, Cable, Wide, Combo
15	0608091	Screw, 3/4-10 x 2", Hex
16	1011576	Anchor, Cable, Alignment
17	2607604	Screw, 1/2-13 x 1-1/2", Hex
18	0608430	Washer, 1/2", Flat
19	0624189	Nut, 1/2-13, Lock
20	1291750	Screw, 3/4-10 x 2", Controlled



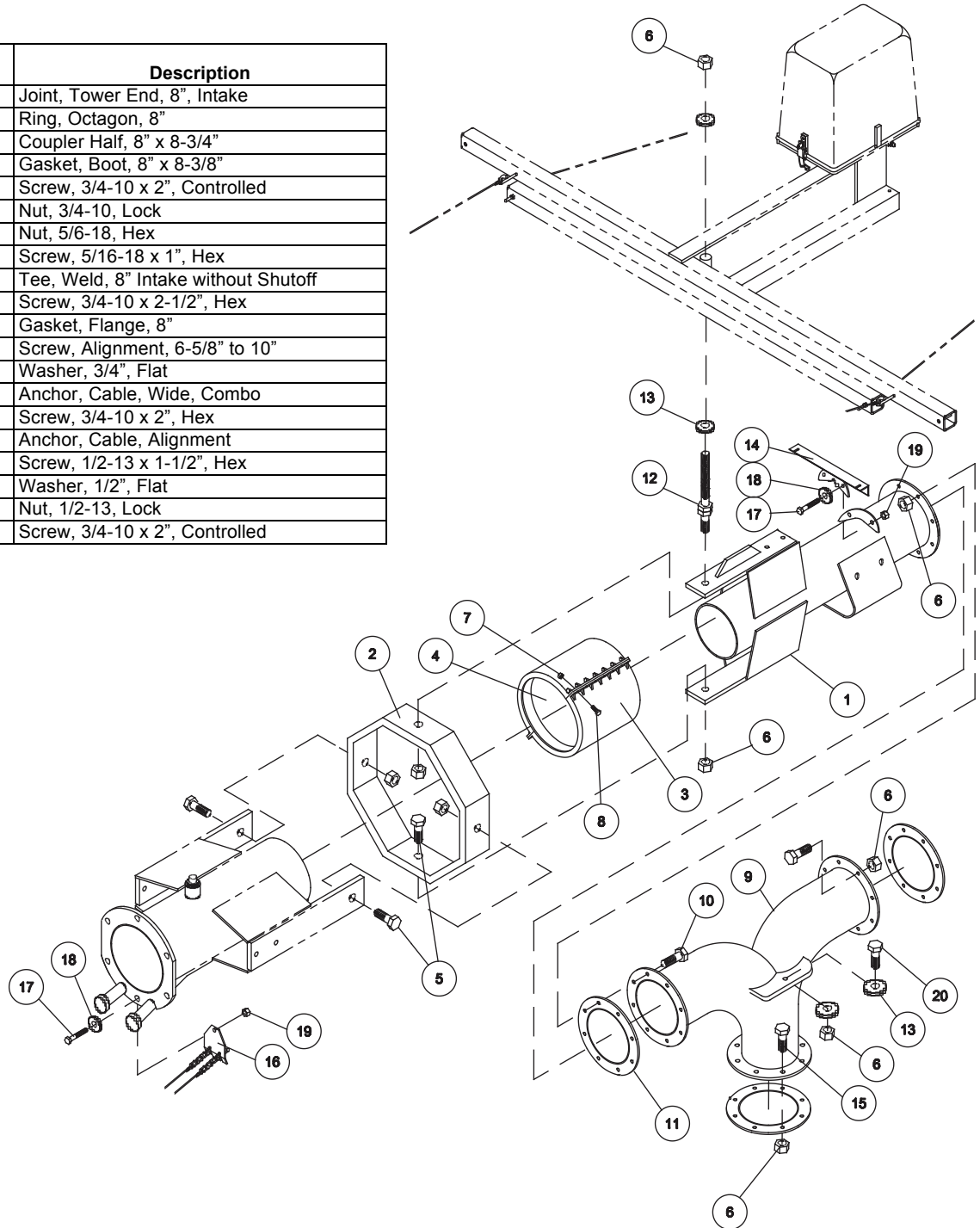




# M-Lateral Systems

## Cart Joint, Center & Off-Center, 8" without Shutoff & 8-5/8" to 8" Reduction, 0120840

Ref.	Original Part No.	Description
1	0372383	Joint, Tower End, 8", Intake
2	0468157	Ring, Octagon, 8"
3	0621003	Coupler Half, 8" x 8-3/4"
4	0620872	Gasket, Boot, 8" x 8-3/8"
5	1177104	Screw, 3/4-10 x 2", Controlled
6	0624171	Nut, 3/4-10, Lock
7	0608224	Nut, 5/6-18, Hex
8	0608026	Screw, 5/16-18 x 1", Hex
9	0372359	Tee, Weld, 8" Intake without Shutoff
10	0602615	Screw, 3/4-10 x 2-1/2", Hex
11	8707333	Gasket, Flange, 8"
12	1015544	Screw, Alignment, 6-5/8" to 10"
13	0640102	Washer, 3/4", Flat
14	1015494	Anchor, Cable, Wide, Combo
15	0608091	Screw, 3/4-10 x 2", Hex
16	1011576	Anchor, Cable, Alignment
17	2607604	Screw, 1/2-13 x 1-1/2", Hex
18	0608430	Washer, 1/2", Flat
19	0624189	Nut, 1/2-13, Lock
20	1291750	Screw, 3/4-10 x 2", Controlled

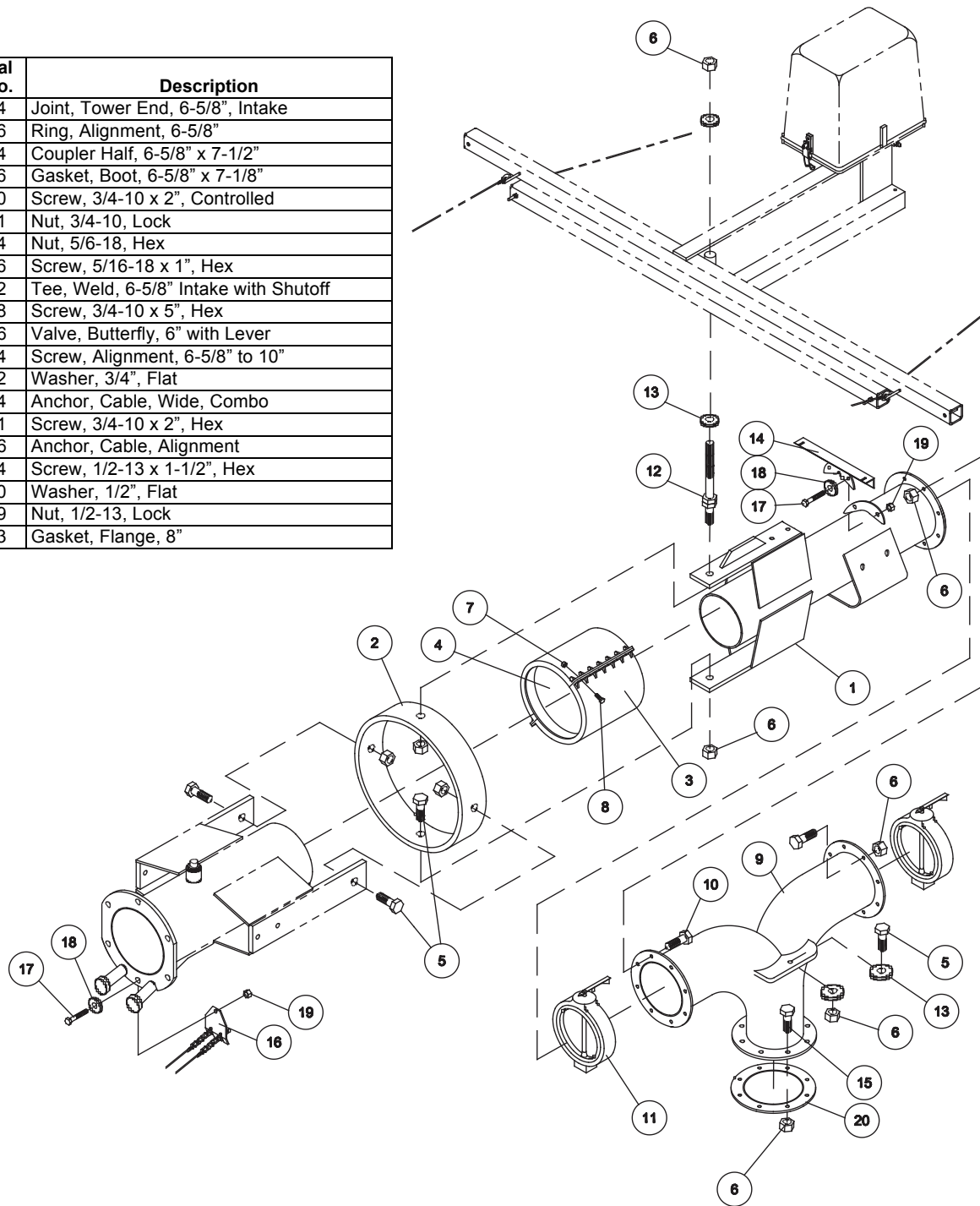




# M-Lateral Systems

## Cart Joint, Center & Off-Center, 6-5/8" with Shutoff, 0119974

Ref.	Original Part No.	Description
1	1006154	Joint, Tower End, 6-5/8", Intake
2	0400796	Ring, Alignment, 6-5/8"
3	0644914	Coupler Half, 6-5/8" x 7-1/2"
4	0644906	Gasket, Boot, 6-5/8" x 7-1/8"
5	1291750	Screw, 3/4-10 x 2", Controlled
6	0624171	Nut, 3/4-10, Lock
7	0608224	Nut, 5/6-18, Hex
8	0608026	Screw, 5/16-18 x 1", Hex
9	0375022	Tee, Weld, 6-5/8" Intake with Shutoff
10	2612398	Screw, 3/4-10 x 5", Hex
11	0635086	Valve, Butterfly, 6" with Lever
12	1015544	Screw, Alignment, 6-5/8" to 10"
13	0640102	Washer, 3/4", Flat
14	1015494	Anchor, Cable, Wide, Combo
15	0608091	Screw, 3/4-10 x 2", Hex
16	1011576	Anchor, Cable, Alignment
17	2607604	Screw, 1/2-13 x 1-1/2", Hex
18	0608430	Washer, 1/2", Flat
19	0624189	Nut, 1/2-13, Lock
20	8707333	Gasket, Flange, 8"

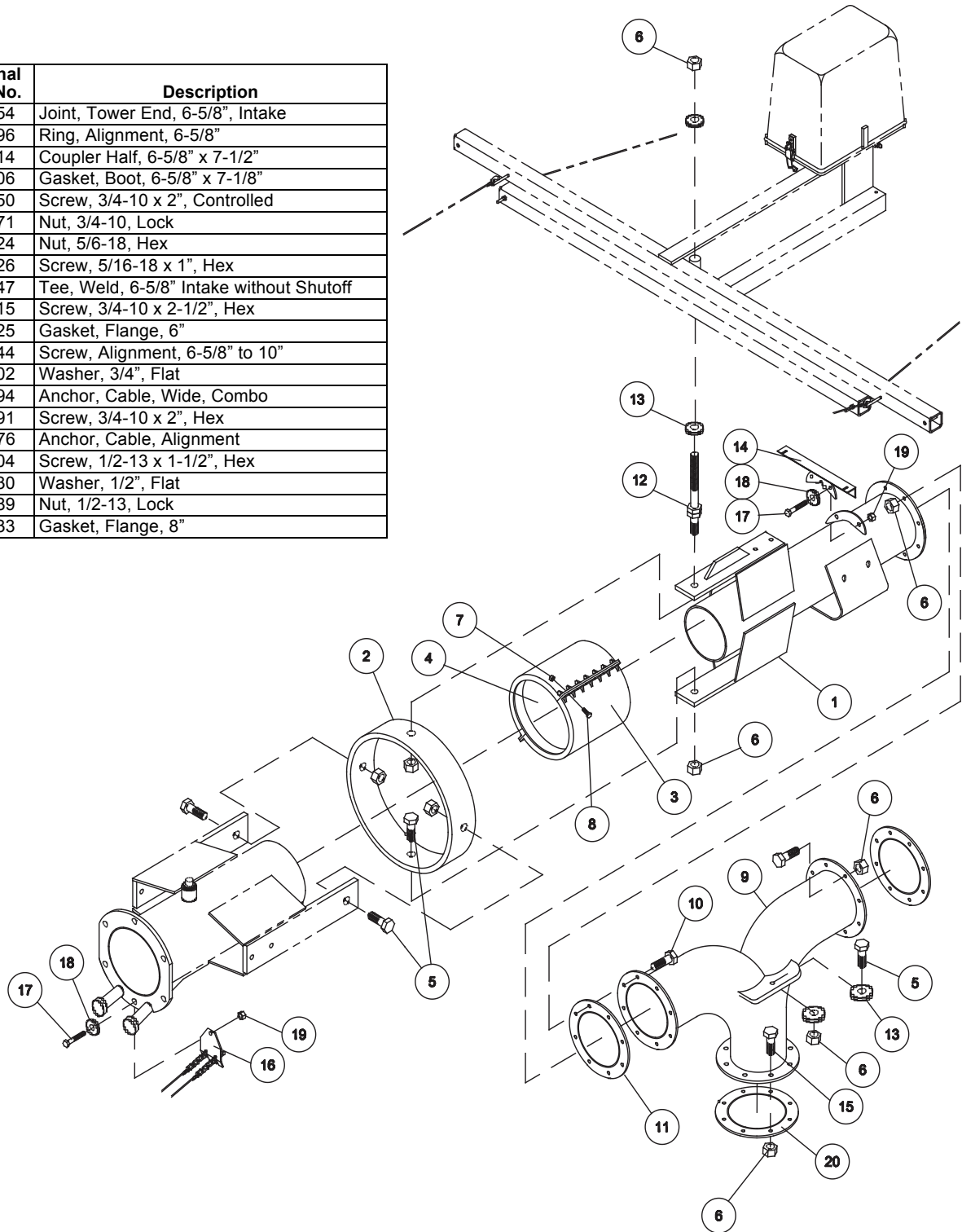




# M-Lateral Systems

## Cart Joint, Center & Off-Center, 6-5/8" without Shutoff, 0120857

Ref.	Original Part No.	Description
1	1006154	Joint, Tower End, 6-5/8", Intake
2	0400796	Ring, Alignment, 6-5/8"
3	0644914	Coupler Half, 6-5/8" x 7-1/2"
4	0644906	Gasket, Boot, 6-5/8" x 7-1/8"
5	1291750	Screw, 3/4-10 x 2", Controlled
6	0624171	Nut, 3/4-10, Lock
7	0608224	Nut, 5/6-18, Hex
8	0608026	Screw, 5/16-18 x 1", Hex
9	0374447	Tee, Weld, 6-5/8" Intake without Shutoff
10	0602615	Screw, 3/4-10 x 2-1/2", Hex
11	8707325	Gasket, Flange, 6"
12	1015544	Screw, Alignment, 6-5/8" to 10"
13	0640102	Washer, 3/4", Flat
14	1015494	Anchor, Cable, Wide, Combo
15	0608091	Screw, 3/4-10 x 2", Hex
16	1011576	Anchor, Cable, Alignment
17	2607604	Screw, 1/2-13 x 1-1/2", Hex
18	0608430	Washer, 1/2", Flat
19	0624189	Nut, 1/2-13, Lock
20	8707333	Gasket, Flange, 8"

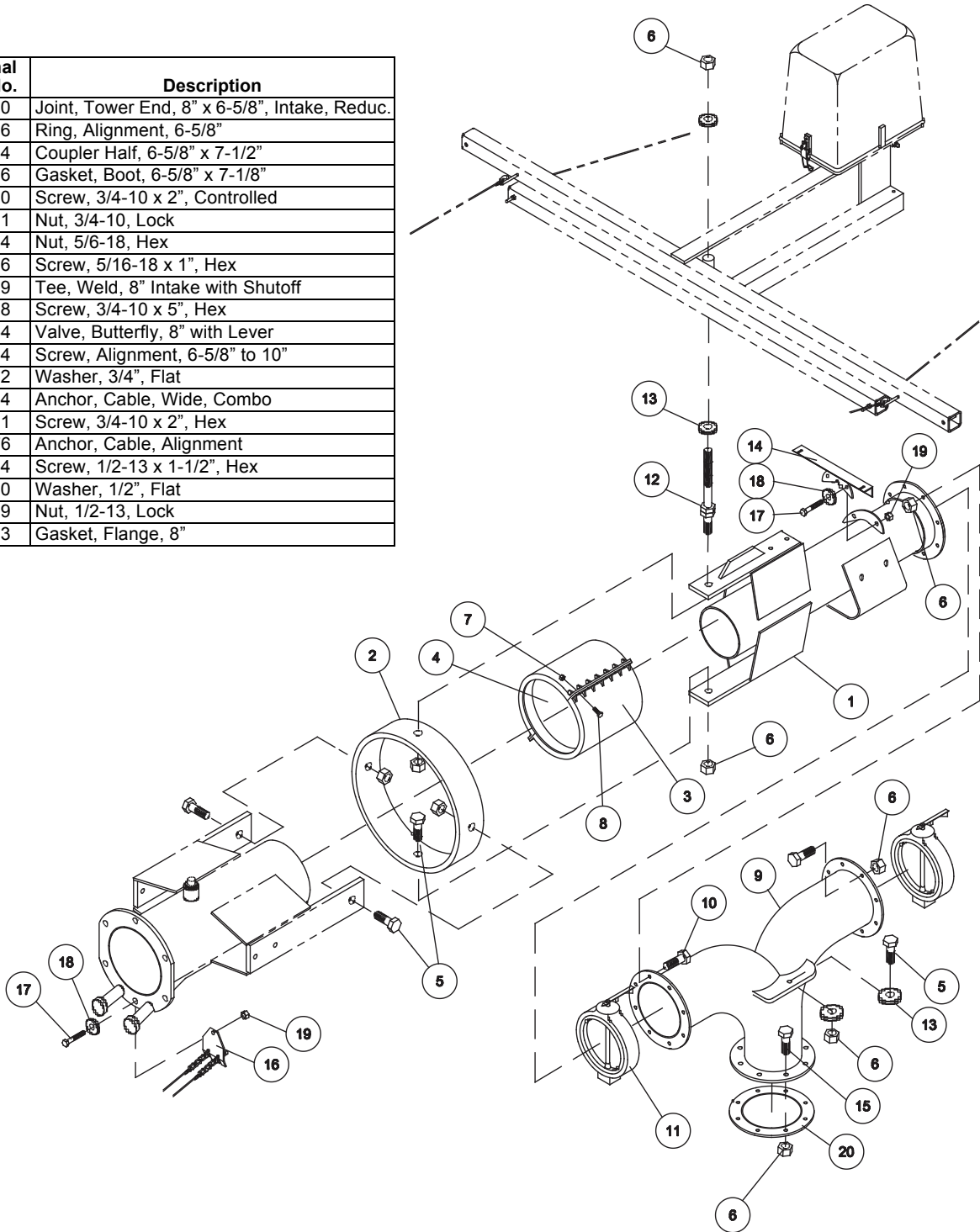




# M-Lateral Systems

## Cart Joint, Center & Off-Center, Reduction, 8-5/8" & 8" to 6-5/8" with Shutoff, 0121426

Ref.	Original Part No.	Description
1	1006170	Joint, Tower End, 8" x 6-5/8", Intake, Reduc.
2	0400796	Ring, Alignment, 6-5/8"
3	0644914	Coupler Half, 6-5/8" x 7-1/2"
4	0644906	Gasket, Boot, 6-5/8" x 7-1/8"
5	1291750	Screw, 3/4-10 x 2", Controlled
6	0624171	Nut, 3/4-10, Lock
7	0608224	Nut, 5/6-18, Hex
8	0608026	Screw, 5/16-18 x 1", Hex
9	0372649	Tee, Weld, 8" Intake with Shutoff
10	2612398	Screw, 3/4-10 x 5", Hex
11	0638064	Valve, Butterfly, 8" with Lever
12	1015544	Screw, Alignment, 6-5/8" to 10"
13	0640102	Washer, 3/4", Flat
14	1015494	Anchor, Cable, Wide, Combo
15	0608091	Screw, 3/4-10 x 2", Hex
16	1011576	Anchor, Cable, Alignment
17	2607604	Screw, 1/2-13 x 1-1/2", Hex
18	0608430	Washer, 1/2", Flat
19	0624189	Nut, 1/2-13, Lock
20	8707333	Gasket, Flange, 8"

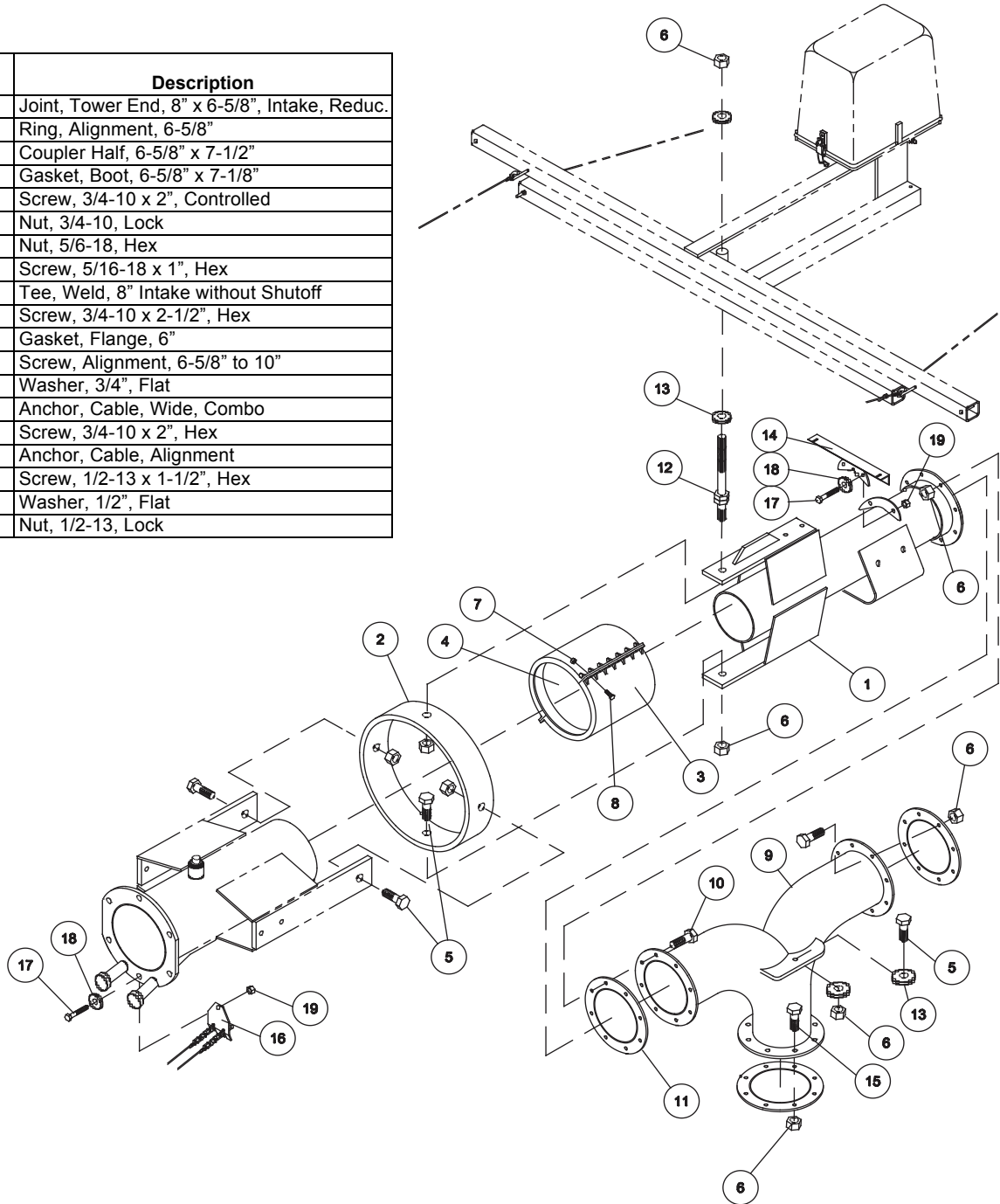




# M-Lateral Systems

## Cart Joint, Center & Off-Center, Reduction, 8-5/8" & 8" to 6-5/8" without Shutoff, 0121418

Ref.	Original Part No.	Description
1	1006170	Joint, Tower End, 8" x 6-5/8", Intake, Reduc.
2	0400796	Ring, Alignment, 6-5/8"
3	0644914	Coupler Half, 6-5/8" x 7-1/2"
4	0644906	Gasket, Boot, 6-5/8" x 7-1/8"
5	1291750	Screw, 3/4-10 x 2", Controlled
6	0624171	Nut, 3/4-10, Lock
7	0608224	Nut, 5/6-18, Hex
8	0608026	Screw, 5/16-18 x 1", Hex
9	0372359	Tee, Weld, 8" Intake without Shutoff
10	0602615	Screw, 3/4-10 x 2-1/2", Hex
11	8707333	Gasket, Flange, 6"
12	1015544	Screw, Alignment, 6-5/8" to 10"
13	0640102	Washer, 3/4", Flat
14	1015494	Anchor, Cable, Wide, Combo
15	0608091	Screw, 3/4-10 x 2", Hex
16	1011576	Anchor, Cable, Alignment
17	2607604	Screw, 1/2-13 x 1-1/2", Hex
18	0608430	Washer, 1/2", Flat
19	0624189	Nut, 1/2-13, Lock

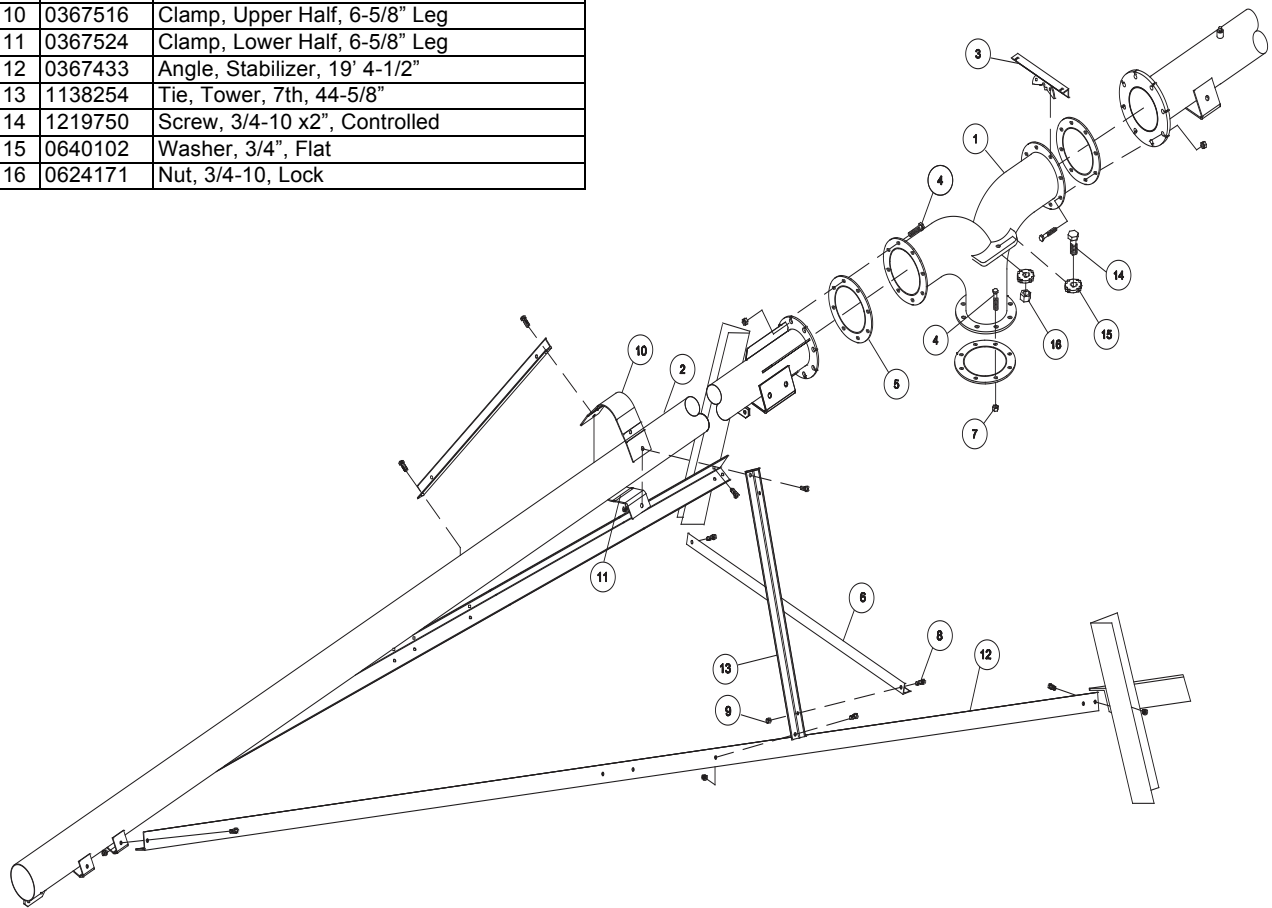




# M-Lateral Systems

## Cart Joint, End Fed, 10", Ditch Fed Only, 0182710

Ref.	Original Part No.	Description
1	1601293	Tee, Tower End, 10", Intake
2	1601359	Boom, Lateral, 10"
3	1015494	Anchor, Cable, Wide, Combo
4	1224040	Screw, 7/8-9 x 2-1/4", Hex
5	0634105	Gasket, Flange, 10"
6	1353560	Brace, Truss, 61-1/2"
7	0637199	Nut, 7/8-9, Lock
8	2607604	Screw, 1/2-13 x 1-1/2", Hex
9	0624189	Nut, 1/2-13, Lock
10	0367516	Clamp, Upper Half, 6-5/8" Leg
11	0367524	Clamp, Lower Half, 6-5/8" Leg
12	0367433	Angle, Stabilizer, 19' 4-1/2"
13	1138254	Tie, Tower, 7th, 44-5/8"
14	1219750	Screw, 3/4-10 x2", Controlled
15	0640102	Washer, 3/4", Flat
16	0624171	Nut, 3/4-10, Lock

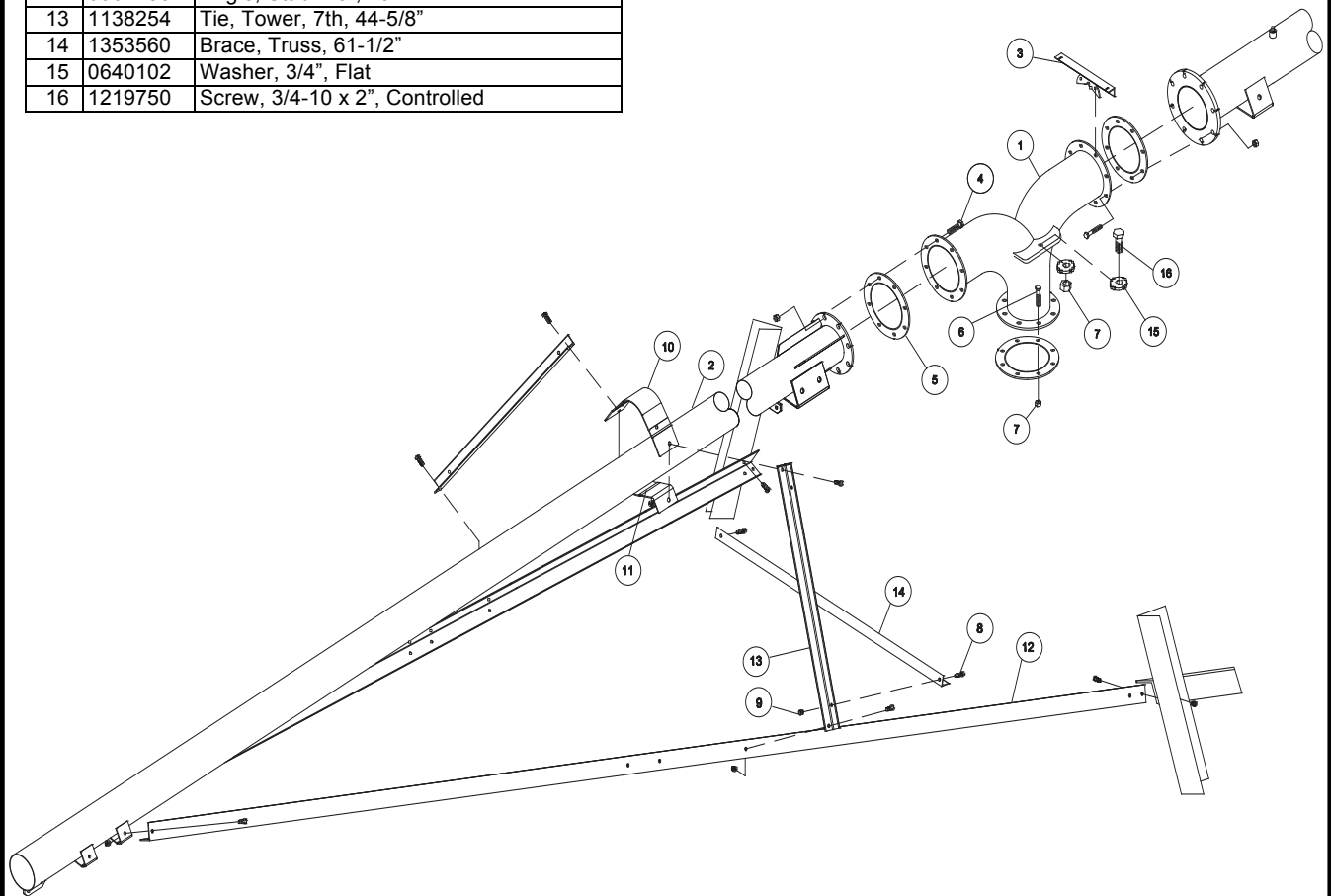




# M-Lateral Systems

## Cart Joint, End Fed, 8-5/8" & 8", Ditch Fed Only, 0120832

Ref.	Original Part No.	Description
1	0372359	Tee, Tower End, 8", Intake
2	1601356	Boom, Lateral, 8"
3	1015494	Anchor, Cable, Wide, Combo
4	0602615	Screw, 3/4-10 x 2-1/2", Hex
5	8707333	Gasket, Flange, 8"
6	0608091	Screw, 3/4-10 x 2", Hex
7	0624171	Nut, 3/4-10, Lock
8	2607604	Screw, 1/2-13 x 1-1/2", Hex
9	0624189	Nut, 1/2-13, Lock
10	0367516	Clamp, Upper Half, 6-5/8" Leg
11	0367524	Clamp, Lower Half, 6-5/8" Leg
12	0367433	Angle, Stabilizer, 19' 4-1/2"
13	1138254	Tie, Tower, 7th, 44-5/8"
14	1353560	Brace, Truss, 61-1/2"
15	0640102	Washer, 3/4", Flat
16	1219750	Screw, 3/4-10 x 2", Controlled

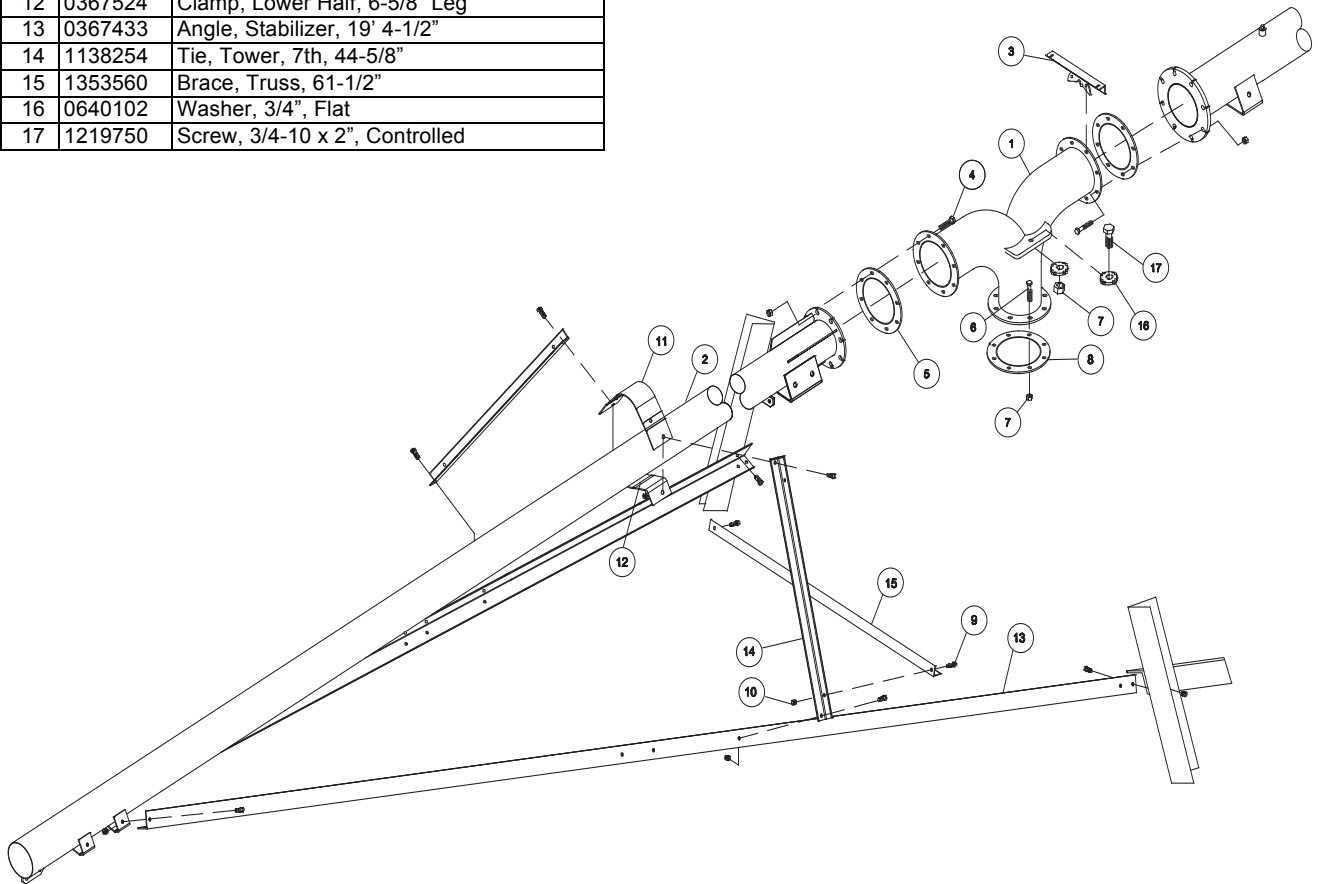




# M-Lateral Systems

## Cart Joint, End Fed, 6-5/8", Ditch Fed Only, 0120824

Ref.	Original Part No.	Description
1	0374447	Tee, Tower End, 6-5/8", Intake
2	1601354	Boom, Lateral, 6-5/8"
3	1015494	Anchor, Cable, Wide, Combo
4	0602615	Screw, 3/4-10 x 2-1/2", Hex
5	8707325	Gasket, Flange, 6"
6	0608091	Screw, 3/4-10 x 2", Hex
7	0624171	Nut, 3/4-10, Lock
8	8707333	Gasket, Flange, 8"
9	2607604	Screw, 1/2-13 x 1-1/2", Hex
10	0624189	Nut, 1/2-13, Lock
11	0367516	Clamp, Upper Half, 6-5/8" Leg
12	0367524	Clamp, Lower Half, 6-5/8" Leg
13	0367433	Angle, Stabilizer, 19' 4-1/2"
14	1138254	Tie, Tower, 7th, 44-5/8"
15	1353560	Brace, Truss, 61-1/2"
16	0640102	Washer, 3/4", Flat
17	1219750	Screw, 3/4-10 x 2", Controlled

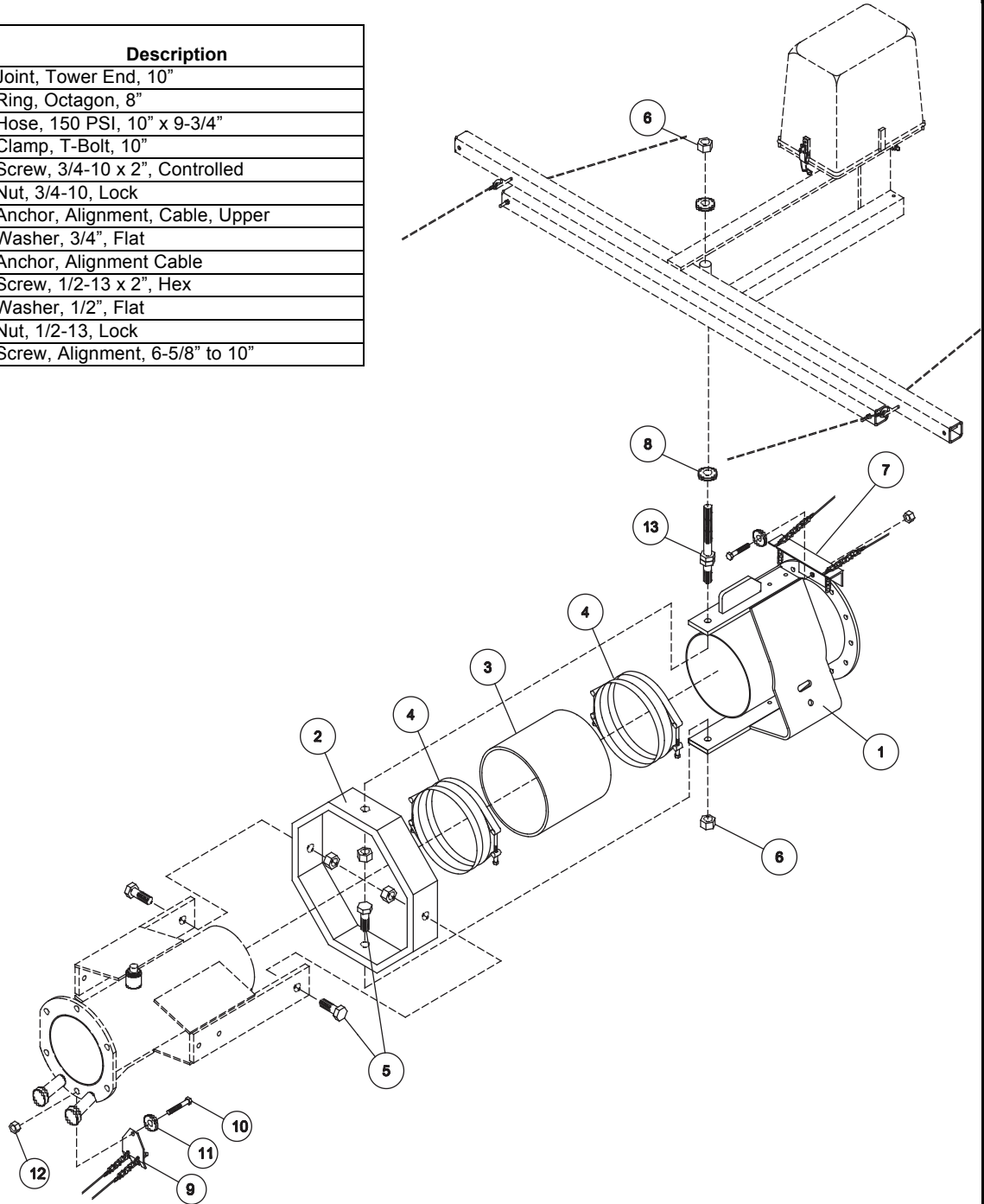




# M-Lateral Systems

## Tower Joint, Standard 10", 0155050

Ref.	Original Part No.	Description
1	1178490	Joint, Tower End, 10"
2	0468157	Ring, Octagon, 8"
3	0646984	Hose, 150 PSI, 10" x 9-3/4"
4	0646992	Clamp, T-Bolt, 10"
5	1177104	Screw, 3/4-10 x 2", Controlled
6	0624171	Nut, 3/4-10, Lock
7	1015510	Anchor, Alignment, Cable, Upper
8	0640102	Washer, 3/4", Flat
9	1011576	Anchor, Alignment Cable
10	0608059	Screw, 1/2-13 x 2", Hex
11	0608430	Washer, 1/2", Flat
12	0624189	Nut, 1/2-13, Lock
13	1015544	Screw, Alignment, 6-5/8" to 10"

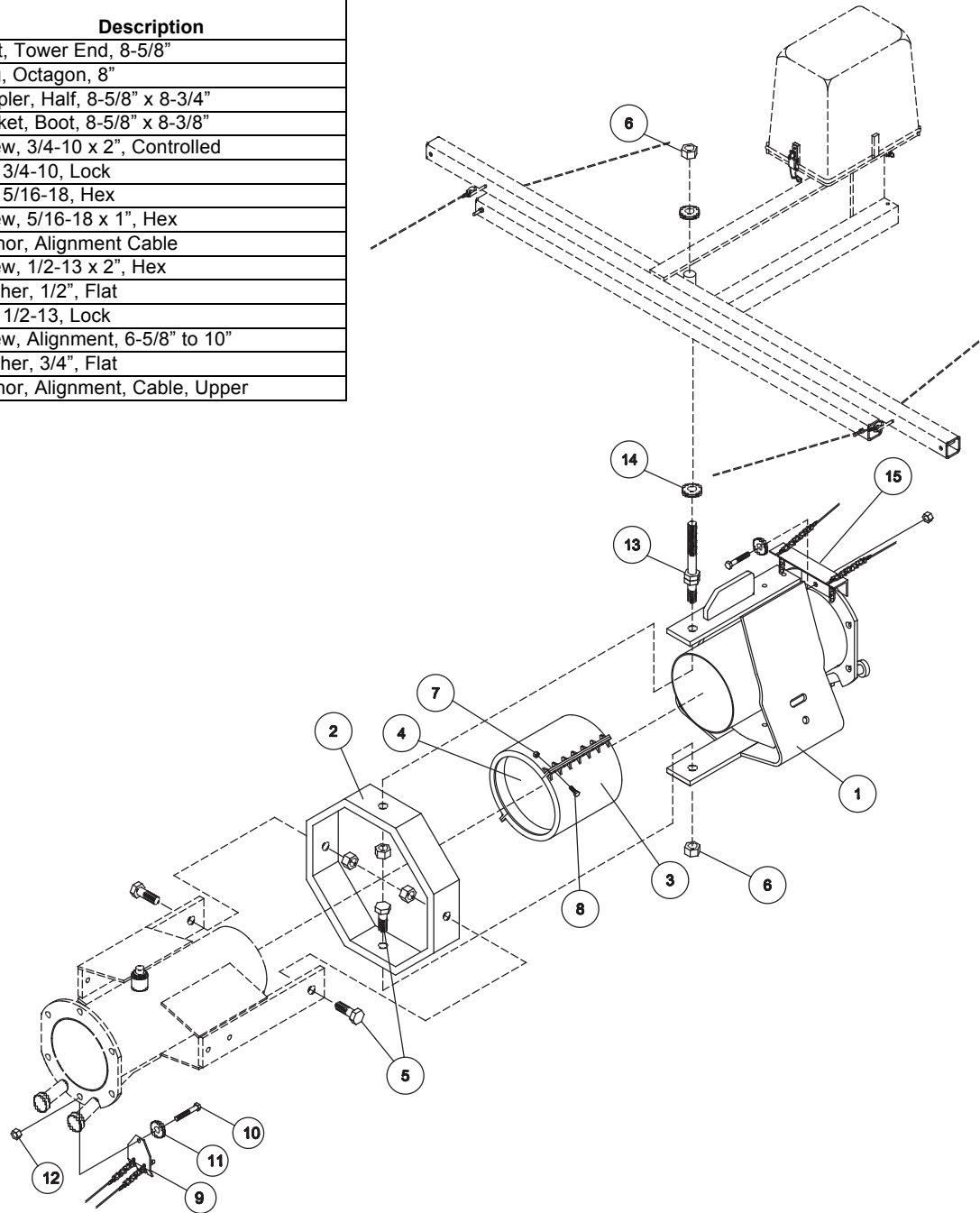




# M-Lateral Systems

## Tower Joint, Standard 8-5/8", 0180660

Ref.	Original Part No.	Description
1	1437700	Joint, Tower End, 8-5/8"
2	0468157	Ring, Octagon, 8"
3	1443140	Coupler, Half, 8-5/8" x 8-3/4"
4	1443130	Gasket, Boot, 8-5/8" x 8-3/8"
5	1177104	Screw, 3/4-10 x 2", Controlled
6	0624171	Nut, 3/4-10, Lock
7	0608224	Nut, 5/16-18, Hex
8	0608026	Screw, 5/16-18 x 1", Hex
9	1011576	Anchor, Alignment Cable
10	0608059	Screw, 1/2-13 x 2", Hex
11	0608430	Washer, 1/2", Flat
12	0624189	Nut, 1/2-13, Lock
13	1015544	Screw, Alignment, 6-5/8" to 10"
14	0640102	Washer, 3/4", Flat
15	1015510	Anchor, Alignment, Cable, Upper

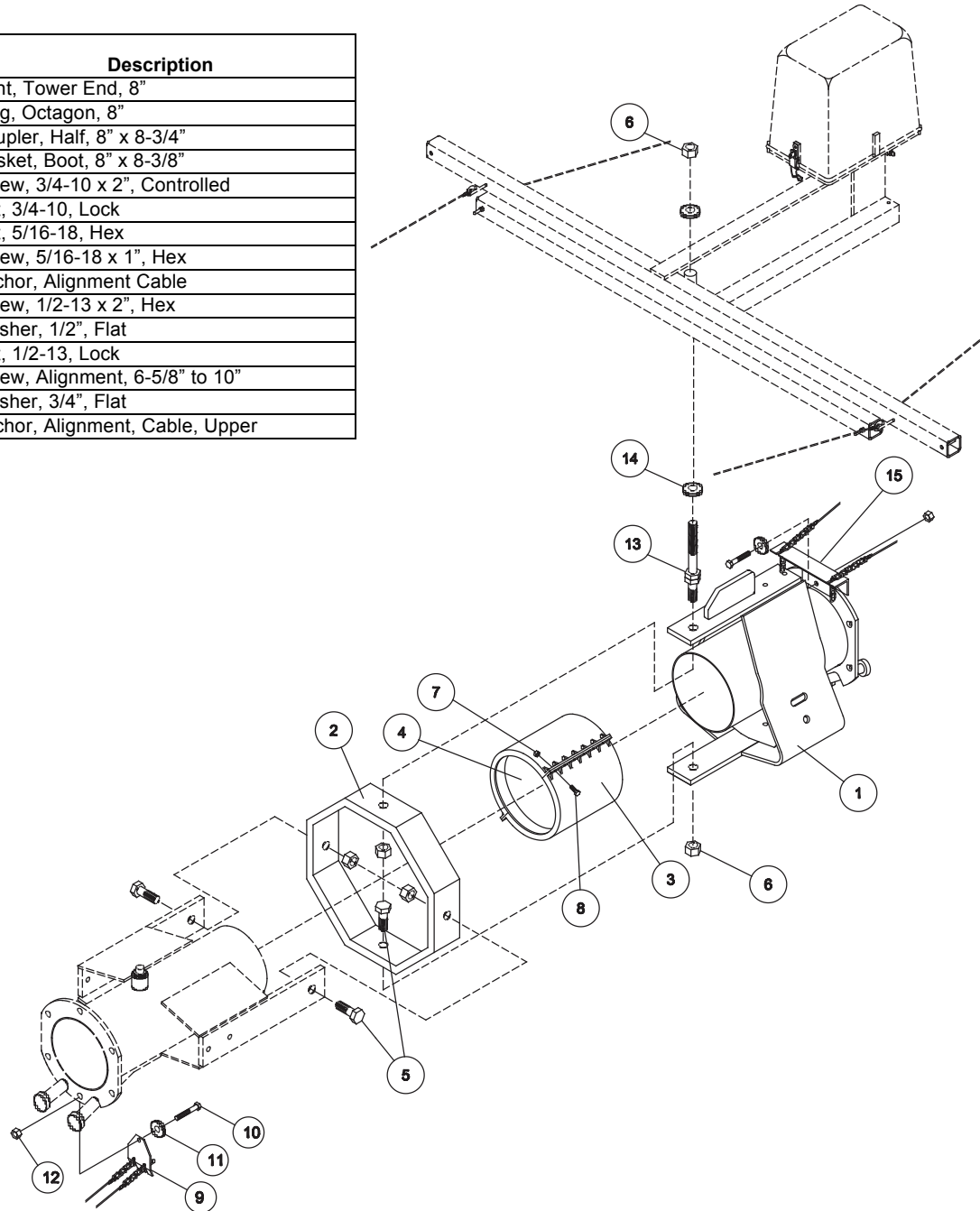




# M-Lateral Systems

## Tower Joint, Standard 8", 0118943

Ref.	Original Part No.	Description
1	1178508	Joint, Tower End, 8"
2	0468157	Ring, Octagon, 8"
3	0621003	Coupler, Half, 8" x 8-3/4"
4	0620872	Gasket, Boot, 8" x 8-3/8"
5	1177104	Screw, 3/4-10 x 2", Controlled
6	0624171	Nut, 3/4-10, Lock
7	0608224	Nut, 5/16-18, Hex
8	0608026	Screw, 5/16-18 x 1", Hex
9	1011576	Anchor, Alignment Cable
10	0608059	Screw, 1/2-13 x 2", Hex
11	0608430	Washer, 1/2", Flat
12	0624189	Nut, 1/2-13, Lock
13	1015544	Screw, Alignment, 6-5/8" to 10"
14	0640102	Washer, 3/4", Flat
15	1015510	Anchor, Alignment, Cable, Upper

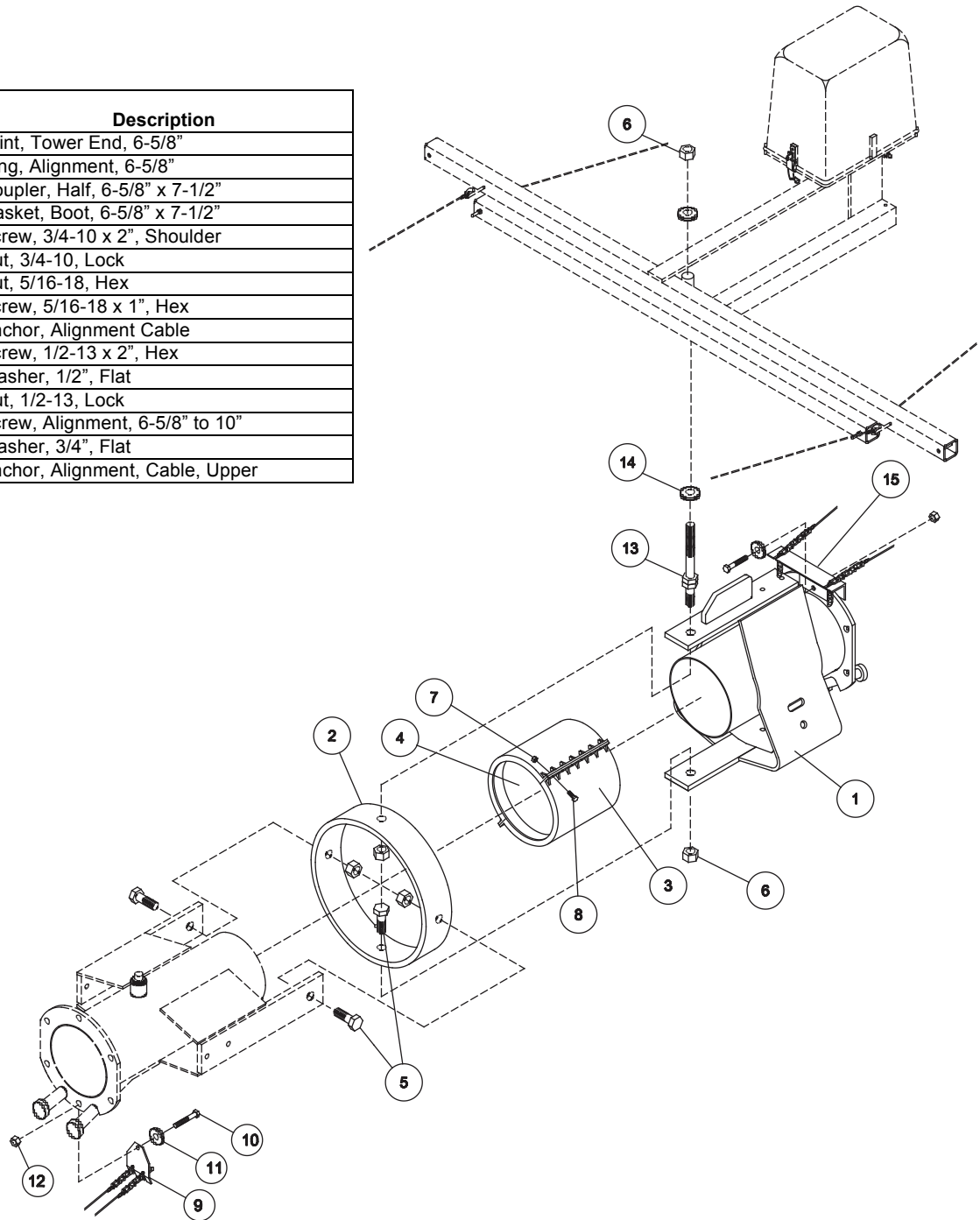




# M-Lateral Systems

## Tower Joint, Standard 6-5/8", 0118950

Ref.	Original Part No.	Description
1	0306928	Joint, Tower End, 6-5/8"
2	0400796	Ring, Alignment, 6-5/8"
3	0644914	Coupler, Half, 6-5/8" x 7-1/2"
4	0644906	Gasket, Boot, 6-5/8" x 7-1/2"
5	1291750	Screw, 3/4-10 x 2", Shoulder
6	0624171	Nut, 3/4-10, Lock
7	0608224	Nut, 5/16-18, Hex
8	0608026	Screw, 5/16-18 x 1", Hex
9	1011576	Anchor, Alignment Cable
10	0608059	Screw, 1/2-13 x 2", Hex
11	0608430	Washer, 1/2", Flat
12	0624189	Nut, 1/2-13, Lock
13	1015544	Screw, Alignment, 6-5/8" to 10"
14	0640102	Washer, 3/4", Flat
15	1015510	Anchor, Alignment, Cable, Upper

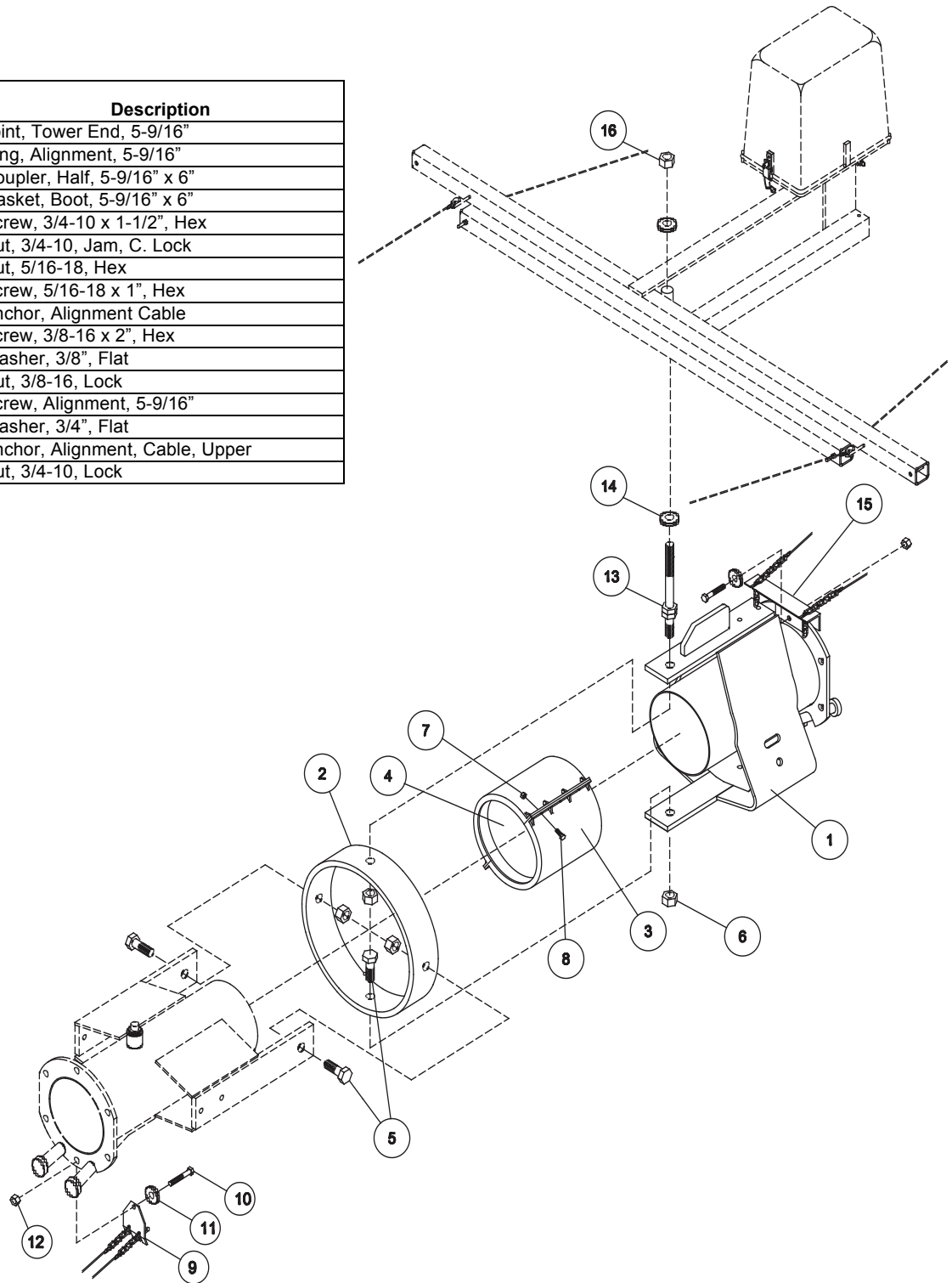




# M-Lateral Systems

## Tower Joint, Standard 5-9/16", 0118968

Ref.	Original Part No.	Description
1	0307033	Joint, Tower End, 5-9/16"
2	0404673	Ring, Alignment, 5-9/16"
3	0632562	Coupler, Half, 5-9/16" x 6"
4	0632570	Gasket, Boot, 5-9/16" x 6"
5	0642694	Screw, 3/4-10 x 1-1/2", Hex
6	0642702	Nut, 3/4-10, Jam, C. Lock
7	0608224	Nut, 5/16-18, Hex
8	0608026	Screw, 5/16-18 x 1", Hex
9	1011576	Anchor, Alignment Cable
10	0619106	Screw, 3/8-16 x 2", Hex
11	0602508	Washer, 3/8", Flat
12	0624205	Nut, 3/8-16, Lock
13	1015551	Screw, Alignment, 5-9/16"
14	0640102	Washer, 3/4", Flat
15	1015510	Anchor, Alignment Cable, Upper
16	0624171	Nut, 3/4-10, Lock

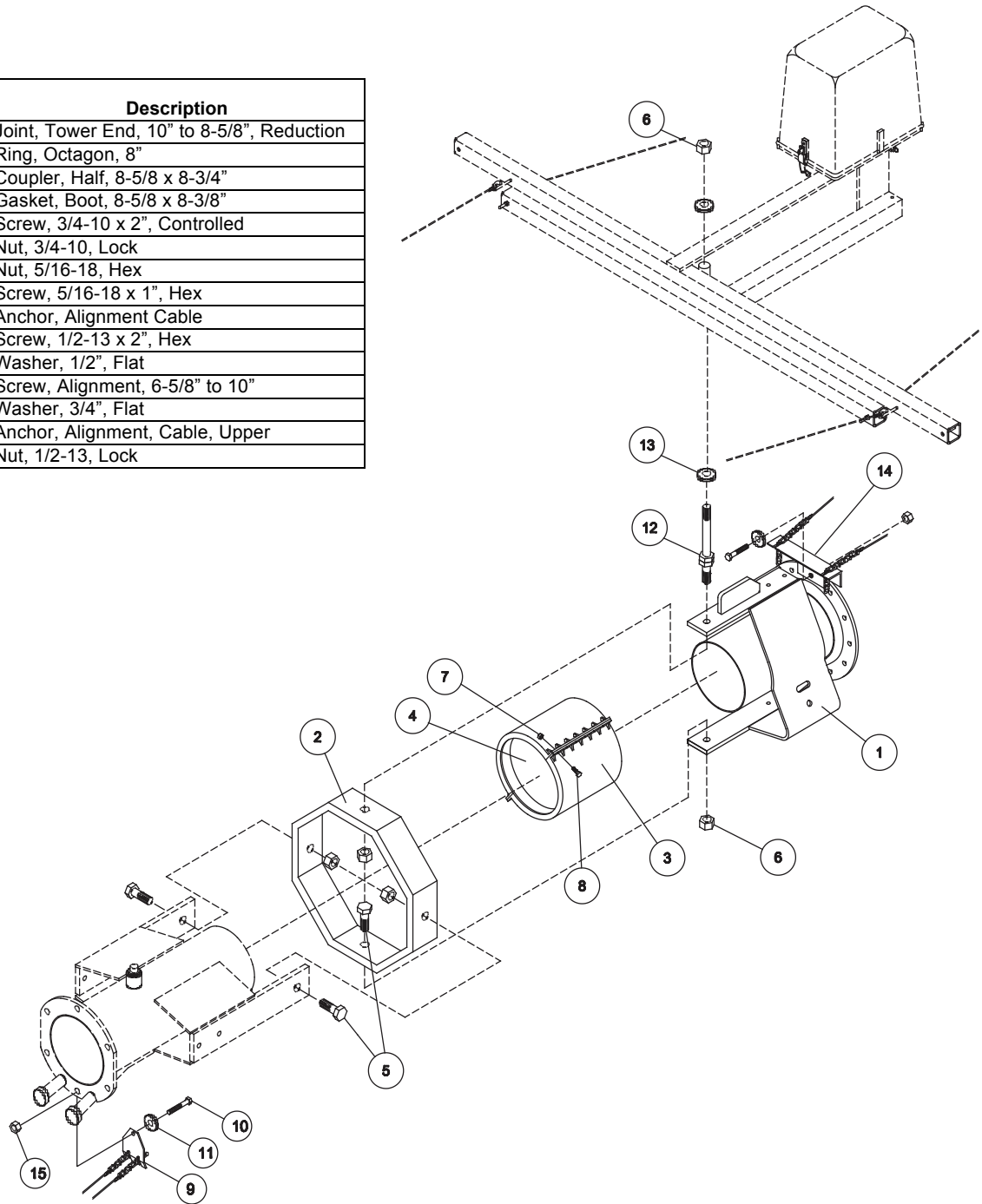




# M-Lateral Systems

## Tower Joint, Reduction, 10" to 8-5/8", 0182700

Ref.	Original Part No.	Description
1	1437860	Joint, Tower End, 10" to 8-5/8", Reduction
2	0468157	Ring, Octagon, 8"
3	1443140	Coupler, Half, 8-5/8 x 8-3/4"
4	1443130	Gasket, Boot, 8-5/8 x 8-3/8"
5	1177104	Screw, 3/4-10 x 2", Controlled
6	0624171	Nut, 3/4-10, Lock
7	0608224	Nut, 5/16-18, Hex
8	0608026	Screw, 5/16-18 x 1", Hex
9	1011576	Anchor, Alignment Cable
10	0608059	Screw, 1/2-13 x 2", Hex
11	0608430	Washer, 1/2", Flat
12	1015544	Screw, Alignment, 6-5/8" to 10"
13	0640102	Washer, 3/4", Flat
14	1015510	Anchor, Alignment, Cable, Upper
15	0624189	Nut, 1/2-13, Lock

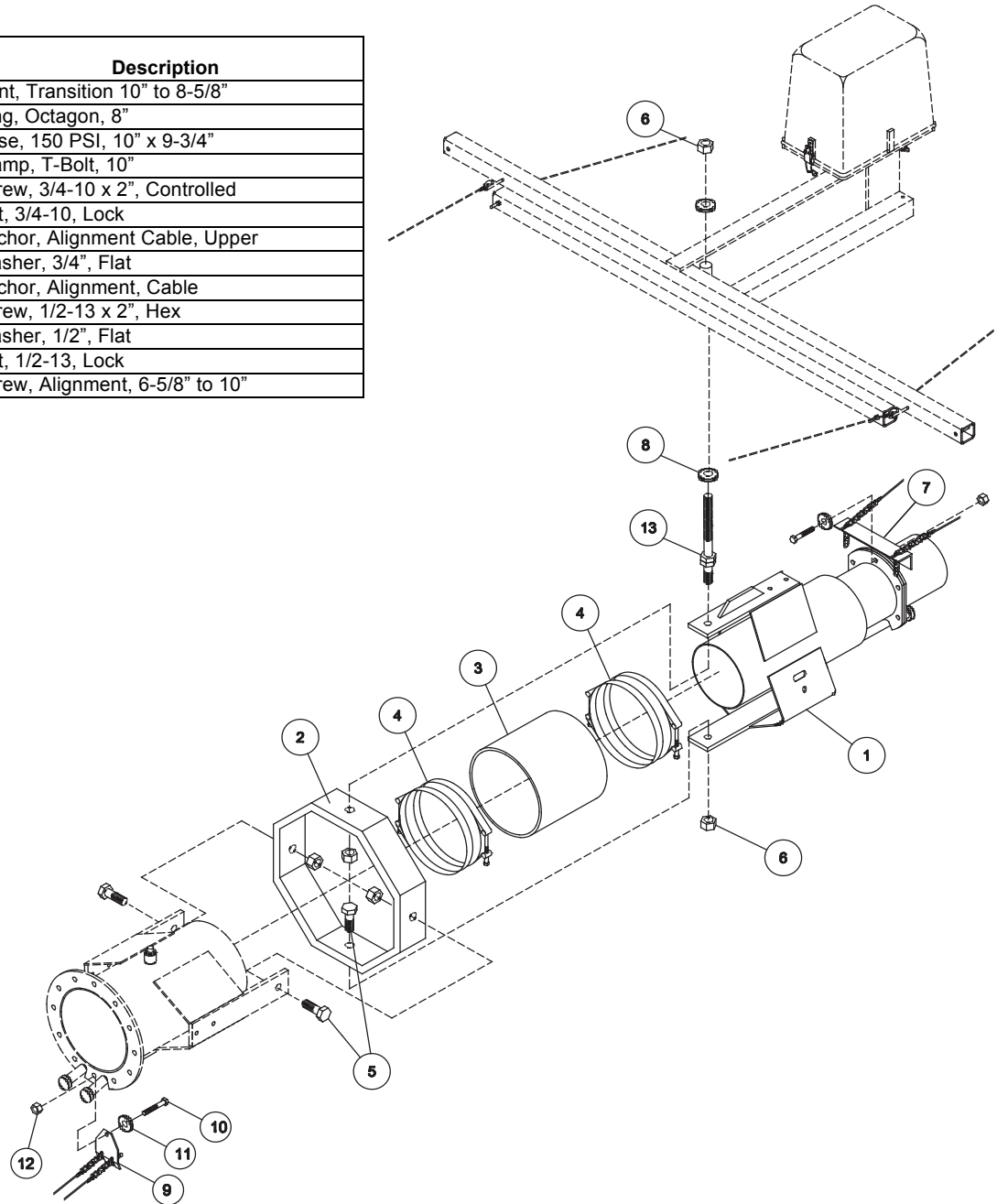




# M-Lateral Systems

## Tower Joint, Transition, 10" to 8-5/8", 0182760

Ref.	Original Part No.	Description
1	1602257	Joint, Transition 10" to 8-5/8"
2	0468157	Ring, Octagon, 8"
3	0646984	Hose, 150 PSI, 10" x 9-3/4"
4	0646992	Clamp, T-Bolt, 10"
5	1177104	Screw, 3/4-10 x 2", Controlled
6	0624171	Nut, 3/4-10, Lock
7	1015510	Anchor, Alignment Cable, Upper
8	0640102	Washer, 3/4", Flat
9	1011576	Anchor, Alignment, Cable
10	0608059	Screw, 1/2-13 x 2", Hex
11	0608430	Washer, 1/2", Flat
12	0624189	Nut, 1/2-13, Lock
13	1015544	Screw, Alignment, 6-5/8" to 10"

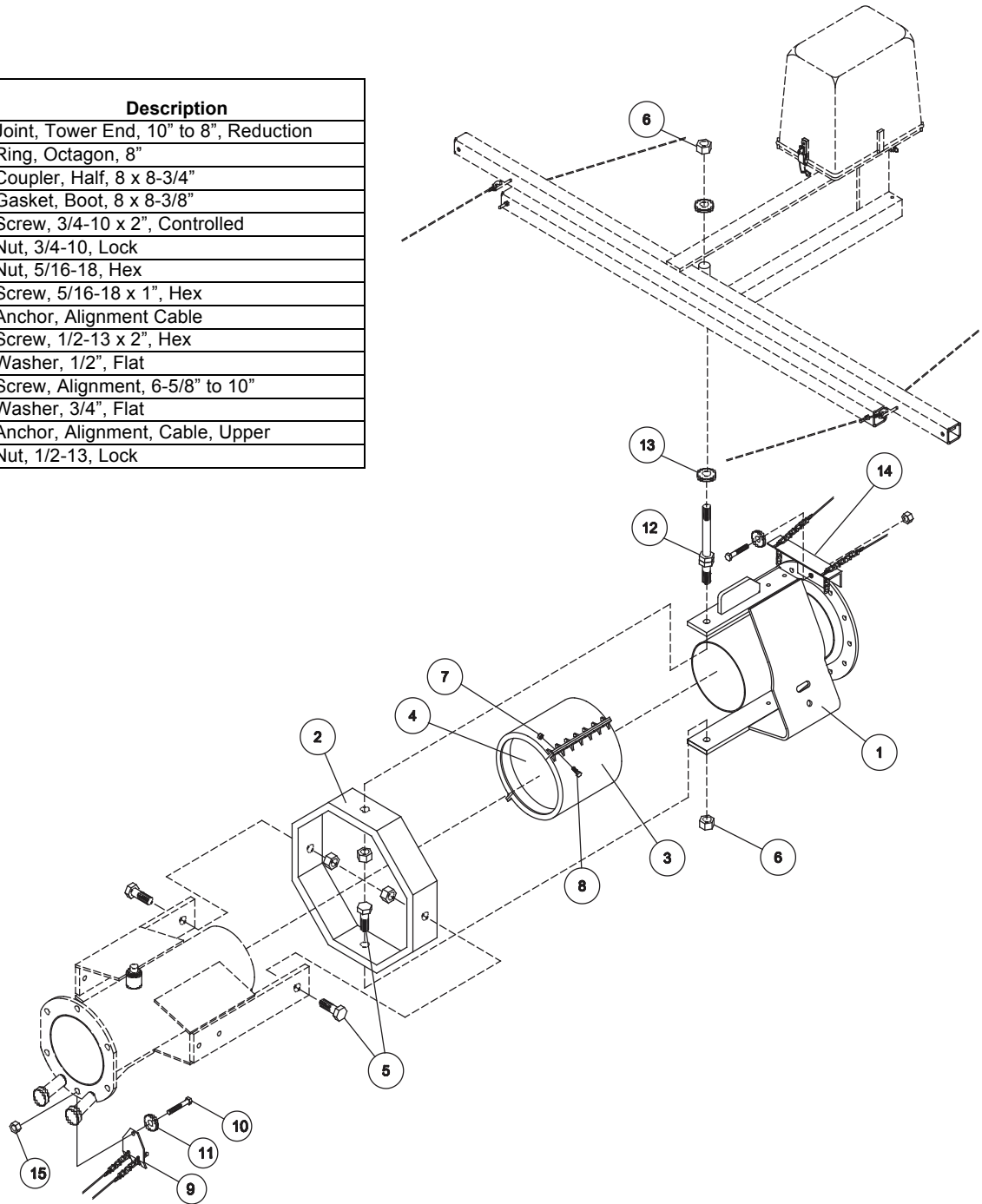




# M-Lateral Systems

## Tower Joint, Reduction, 10" to 8", 0155060

Ref.	Original Part No.	Description
1	1178516	Joint, Tower End, 10" to 8", Reduction
2	0468157	Ring, Octagon, 8"
3	0621003	Coupler, Half, 8 x 8-3/4"
4	0620872	Gasket, Boot, 8 x 8-3/8"
5	1177104	Screw, 3/4-10 x 2", Controlled
6	0624171	Nut, 3/4-10, Lock
7	0608224	Nut, 5/16-18, Hex
8	0608026	Screw, 5/16-18 x 1", Hex
9	1011576	Anchor, Alignment Cable
10	0608059	Screw, 1/2-13 x 2", Hex
11	0608430	Washer, 1/2", Flat
12	1015544	Screw, Alignment, 6-5/8" to 10"
13	0640102	Washer, 3/4", Flat
14	1015510	Anchor, Alignment, Cable, Upper
15	0624189	Nut, 1/2-13, Lock

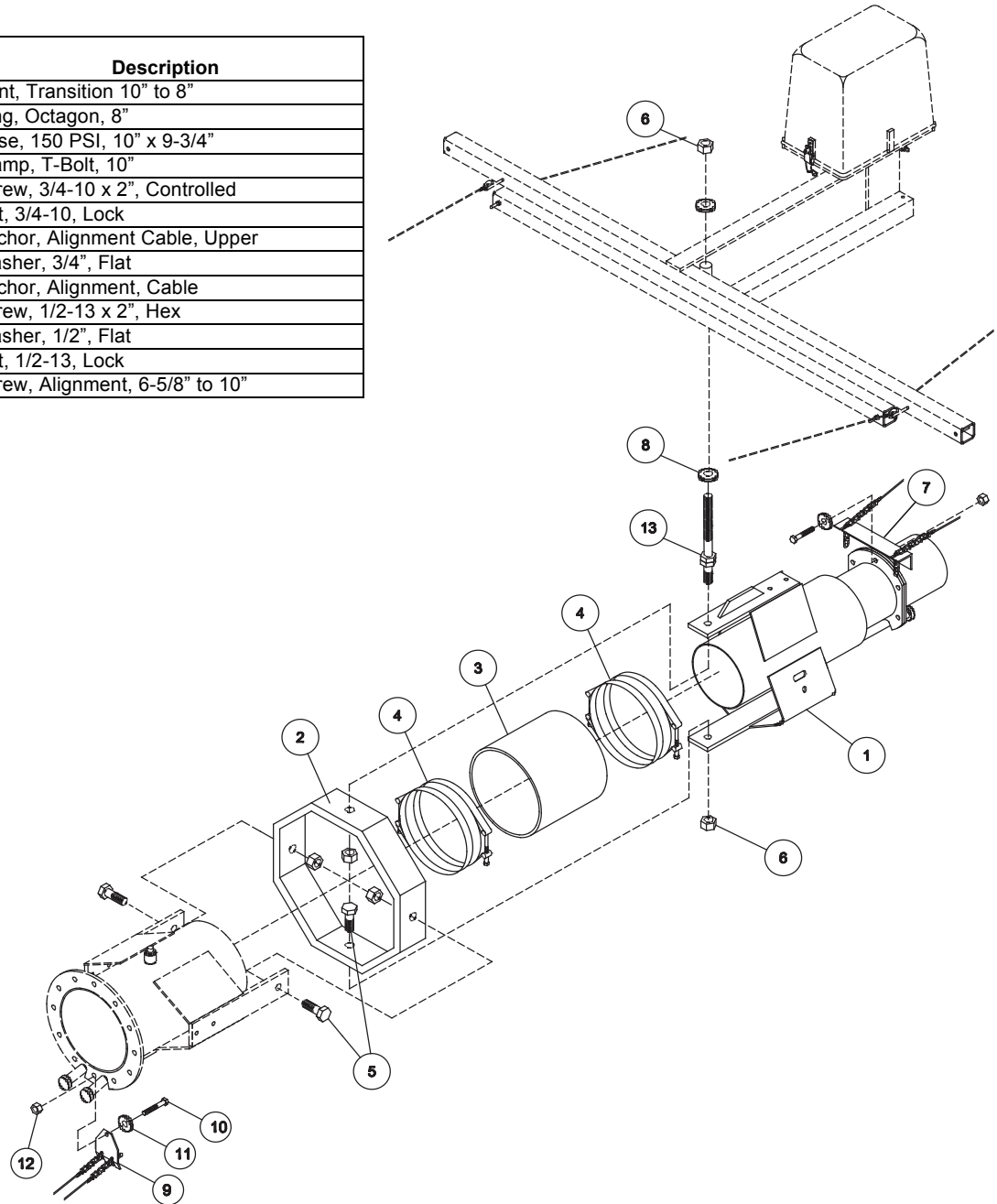




# M-Lateral Systems

## Tower Joint, Transition, 10" to 8", 0183260

Ref.	Original Part No.	Description
1	1602259	Joint, Transition 10" to 8"
2	0468157	Ring, Octagon, 8"
3	0646984	Hose, 150 PSI, 10" x 9-3/4"
4	0646992	Clamp, T-Bolt, 10"
5	1177104	Screw, 3/4-10 x 2", Controlled
6	0624171	Nut, 3/4-10, Lock
7	1015510	Anchor, Alignment Cable, Upper
8	0640102	Washer, 3/4", Flat
9	1011576	Anchor, Alignment, Cable
10	0608059	Screw, 1/2-13 x 2", Hex
11	0608430	Washer, 1/2", Flat
12	0624189	Nut, 1/2-13, Lock
13	1015544	Screw, Alignment, 6-5/8" to 10"

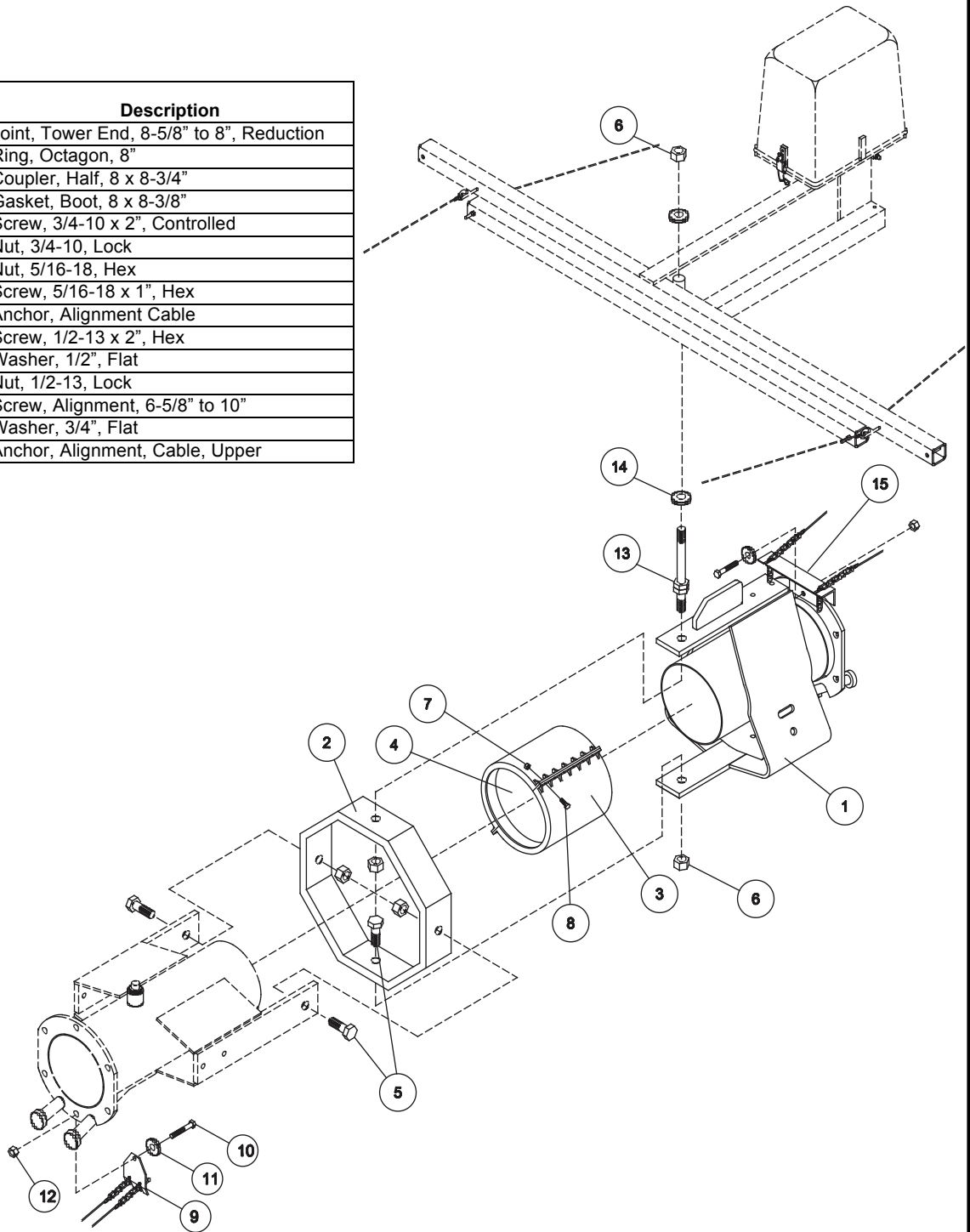




# M-Lateral Systems

## Tower Joint, Reduction, 8-5/8" to 8", 0180740

Ref.	Original Part No.	Description
1	1442860	Joint, Tower End, 8-5/8" to 8", Reduction
2	0468157	Ring, Octagon, 8"
3	0621003	Coupler, Half, 8 x 8-3/4"
4	0620872	Gasket, Boot, 8 x 8-3/8"
5	1177104	Screw, 3/4-10 x 2", Controlled
6	0624171	Nut, 3/4-10, Lock
7	0608224	Nut, 5/16-18, Hex
8	0608026	Screw, 5/16-18 x 1", Hex
9	1011576	Anchor, Alignment Cable
10	0608059	Screw, 1/2-13 x 2", Hex
11	0608430	Washer, 1/2", Flat
12	0624189	Nut, 1/2-13, Lock
13	1015544	Screw, Alignment, 6-5/8" to 10"
14	0640102	Washer, 3/4", Flat
15	1015510	Anchor, Alignment, Cable, Upper

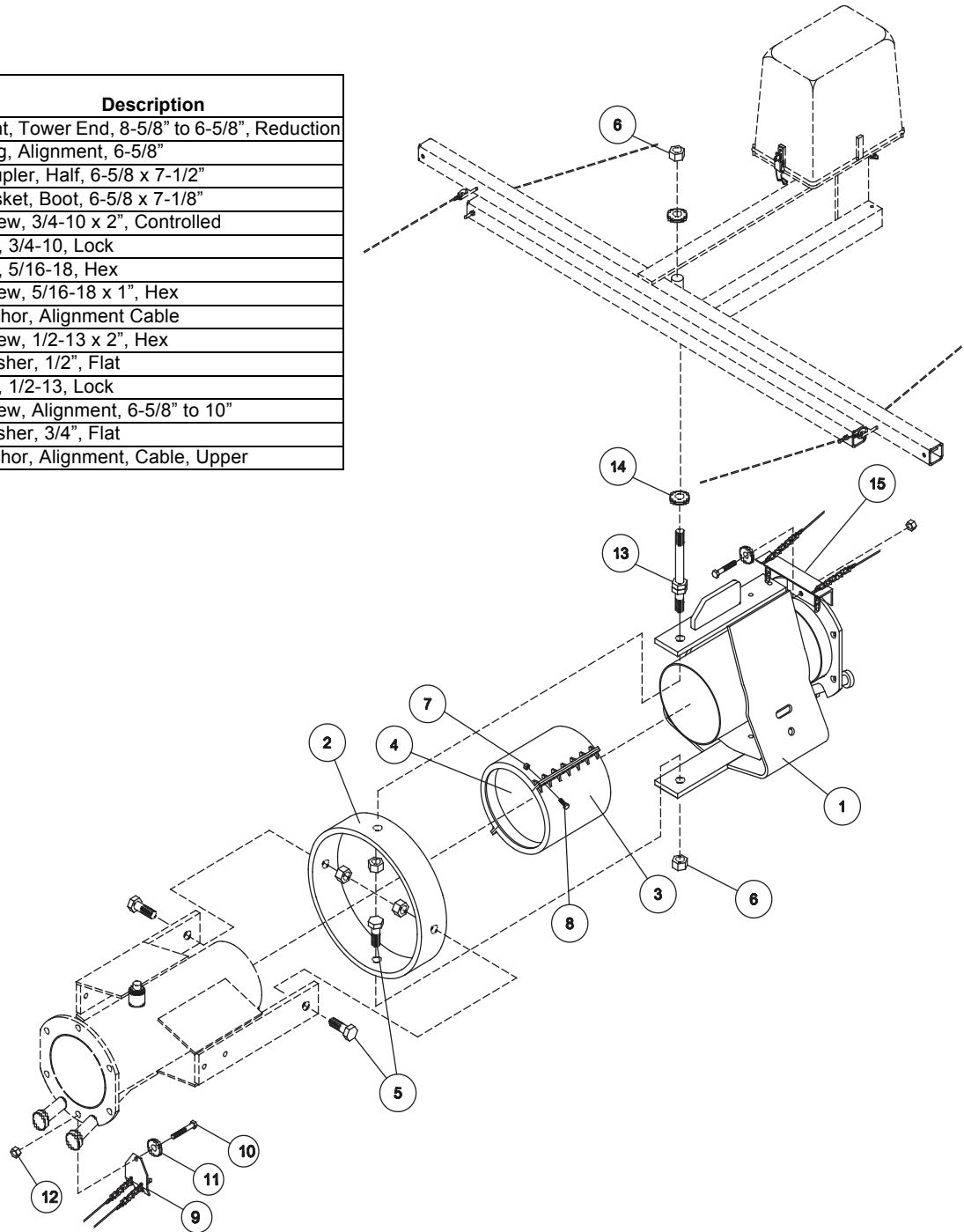




# M-Lateral Systems

## Tower Joint, Reduction, 8-5/8" to 6-5/8", 0180670

Ref.	Original Part No.	Description
1	1437830	Joint, Tower End, 8-5/8" to 6-5/8", Reduction
2	0400796	Ring, Alignment, 6-5/8"
3	0644914	Coupler, Half, 6-5/8 x 7-1/2"
4	0644906	Gasket, Boot, 6-5/8 x 7-1/8"
5	1291750	Screw, 3/4-10 x 2", Controlled
6	0624171	Nut, 3/4-10, Lock
7	0608224	Nut, 5/16-18, Hex
8	0608026	Screw, 5/16-18 x 1", Hex
9	1011576	Anchor, Alignment Cable
10	0608059	Screw, 1/2-13 x 2", Hex
11	0608430	Washer, 1/2", Flat
12	0624189	Nut, 1/2-13, Lock
13	1015544	Screw, Alignment, 6-5/8" to 10"
14	0640102	Washer, 3/4", Flat
15	1015510	Anchor, Alignment, Cable, Upper

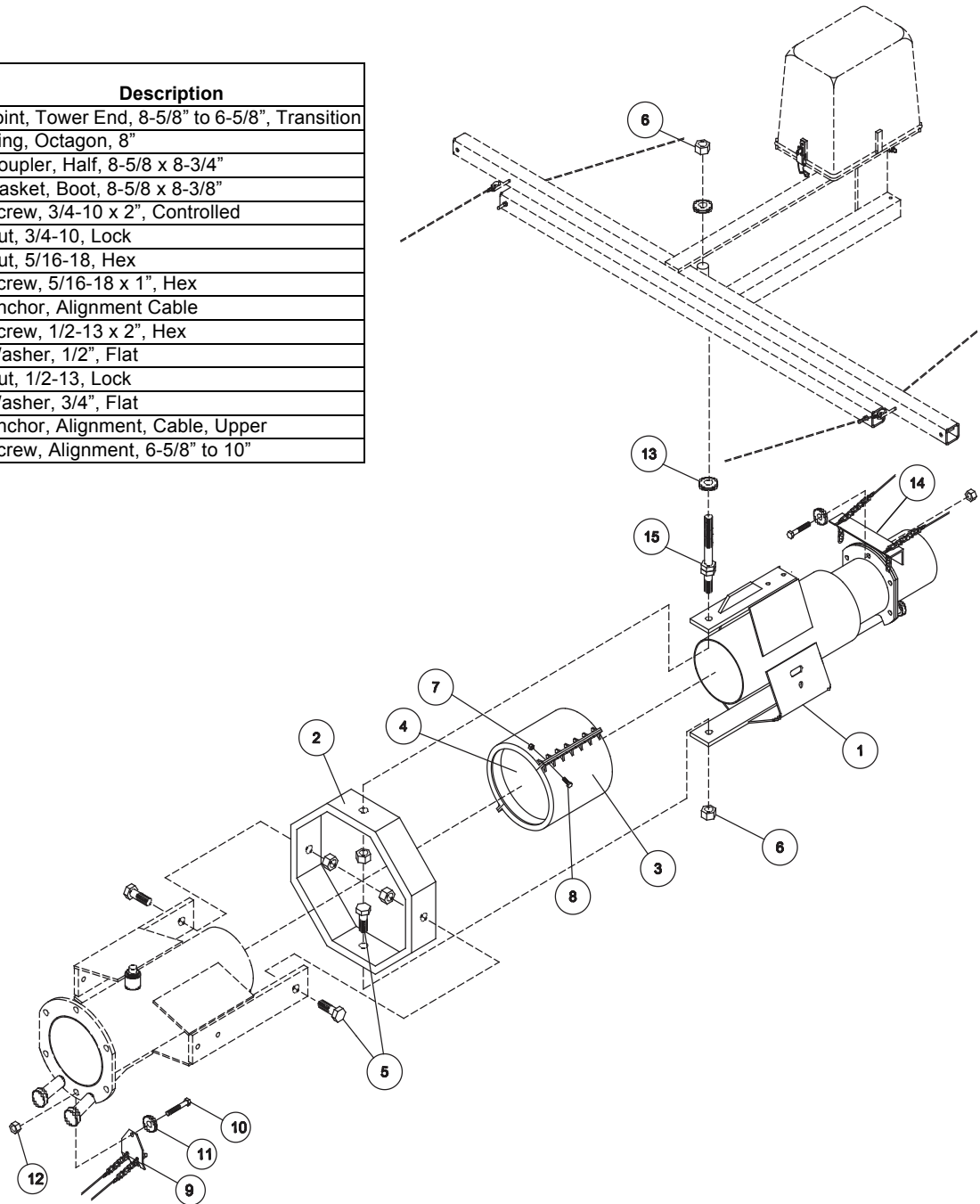




# M-Lateral Systems

## Tower Joint, Transition, 8-5/8" to 6-5/8", 0180680

Ref.	Original Part No.	Description
1	1444700	Joint, Tower End, 8-5/8" to 6-5/8", Transition
2	0468157	Ring, Octagon, 8"
3	1443140	Coupler, Half, 8-5/8 x 8-3/4"
4	1443130	Gasket, Boot, 8-5/8 x 8-3/8"
5	1177104	Screw, 3/4-10 x 2", Controlled
6	0624171	Nut, 3/4-10, Lock
7	0608224	Nut, 5/16-18, Hex
8	0608026	Screw, 5/16-18 x 1", Hex
9	1011576	Anchor, Alignment Cable
10	0608059	Screw, 1/2-13 x 2", Hex
11	0608430	Washer, 1/2", Flat
12	0624189	Nut, 1/2-13, Lock
13	0640102	Washer, 3/4", Flat
14	1015510	Anchor, Alignment, Cable, Upper
15	1015544	Screw, Alignment, 6-5/8" to 10"

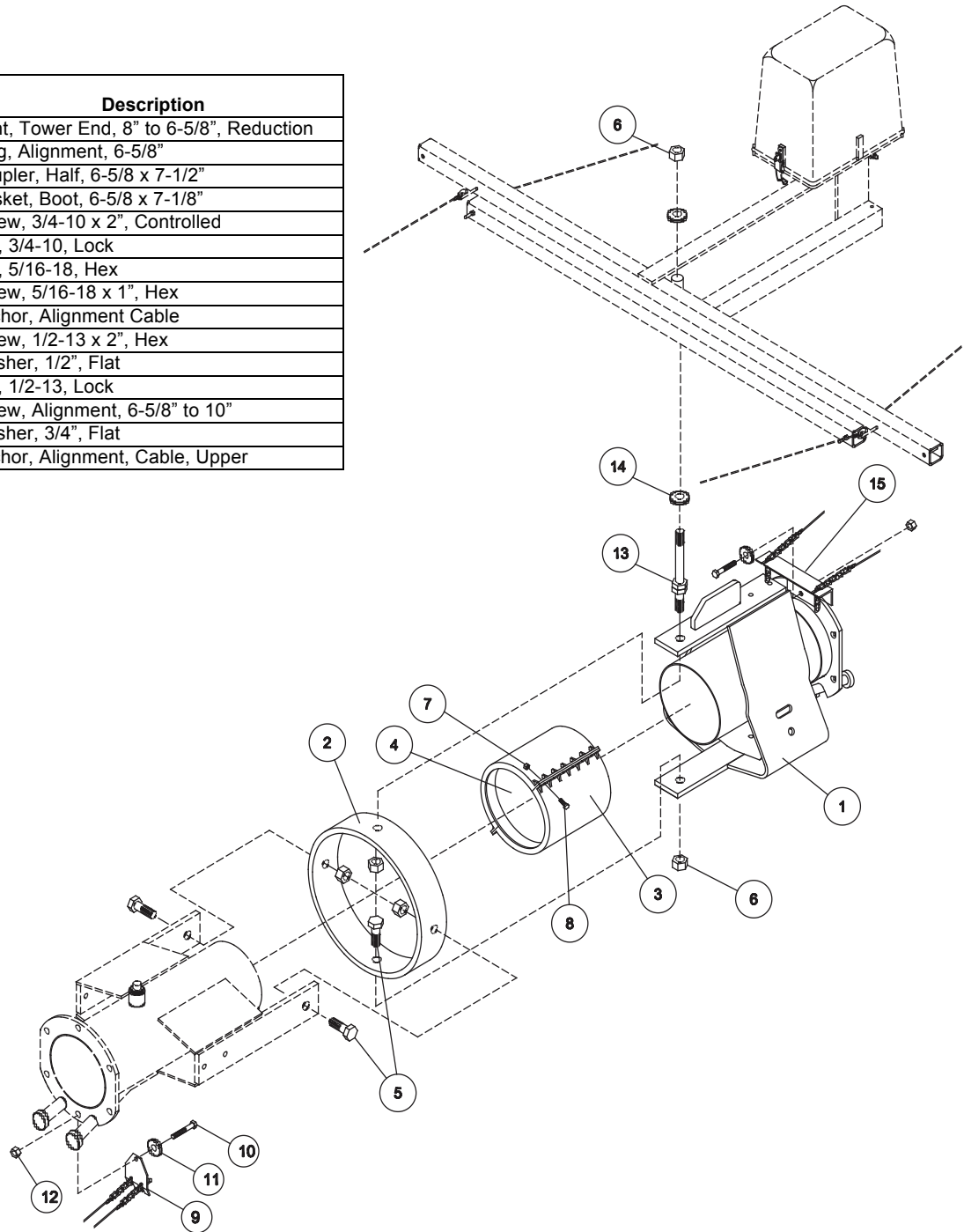




# M-Lateral Systems

## Tower Joint, Reduction, 8" to 6-5/8", 0118927

Ref.	Original Part No.	Description
1	0306852	Joint, Tower End, 8" to 6-5/8", Reduction
2	0400796	Ring, Alignment, 6-5/8"
3	0644914	Coupler, Half, 6-5/8 x 7-1/2"
4	0644906	Gasket, Boot, 6-5/8 x 7-1/8"
5	1177104	Screw, 3/4-10 x 2", Controlled
6	0624171	Nut, 3/4-10, Lock
7	0608224	Nut, 5/16-18, Hex
8	0608026	Screw, 5/16-18 x 1", Hex
9	1011576	Anchor, Alignment Cable
10	0608059	Screw, 1/2-13 x 2", Hex
11	0608430	Washer, 1/2", Flat
12	0624189	Nut, 1/2-13, Lock
13	1015544	Screw, Alignment, 6-5/8" to 10"
14	0640102	Washer, 3/4", Flat
15	1015510	Anchor, Alignment, Cable, Upper

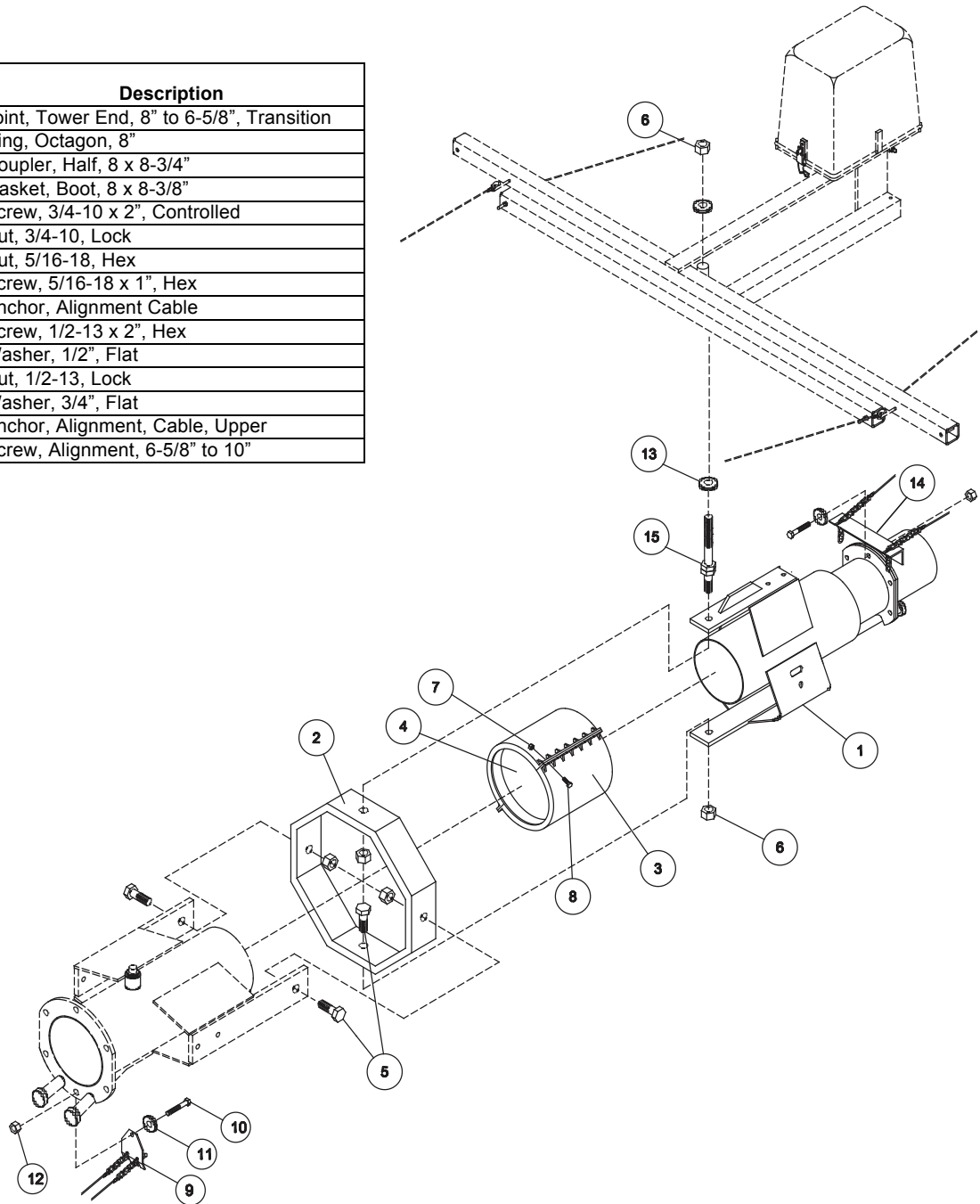




# M-Lateral Systems

## Tower Joint, Transition, 8" to 6-5/8", 0118976

Ref.	Original Part No.	Description
1	0310672	Joint, Tower End, 8" to 6-5/8", Transition
2	0468157	Ring, Octagon, 8"
3	0621003	Coupler, Half, 8 x 8-3/4"
4	0620872	Gasket, Boot, 8 x 8-3/8"
5	1177104	Screw, 3/4-10 x 2", Controlled
6	0624171	Nut, 3/4-10, Lock
7	0608224	Nut, 5/16-18, Hex
8	0608026	Screw, 5/16-18 x 1", Hex
9	1011576	Anchor, Alignment Cable
10	0608059	Screw, 1/2-13 x 2", Hex
11	0608430	Washer, 1/2", Flat
12	0624189	Nut, 1/2-13, Lock
13	0640102	Washer, 3/4", Flat
14	1015510	Anchor, Alignment, Cable, Upper
15	1015544	Screw, Alignment, 6-5/8" to 10"

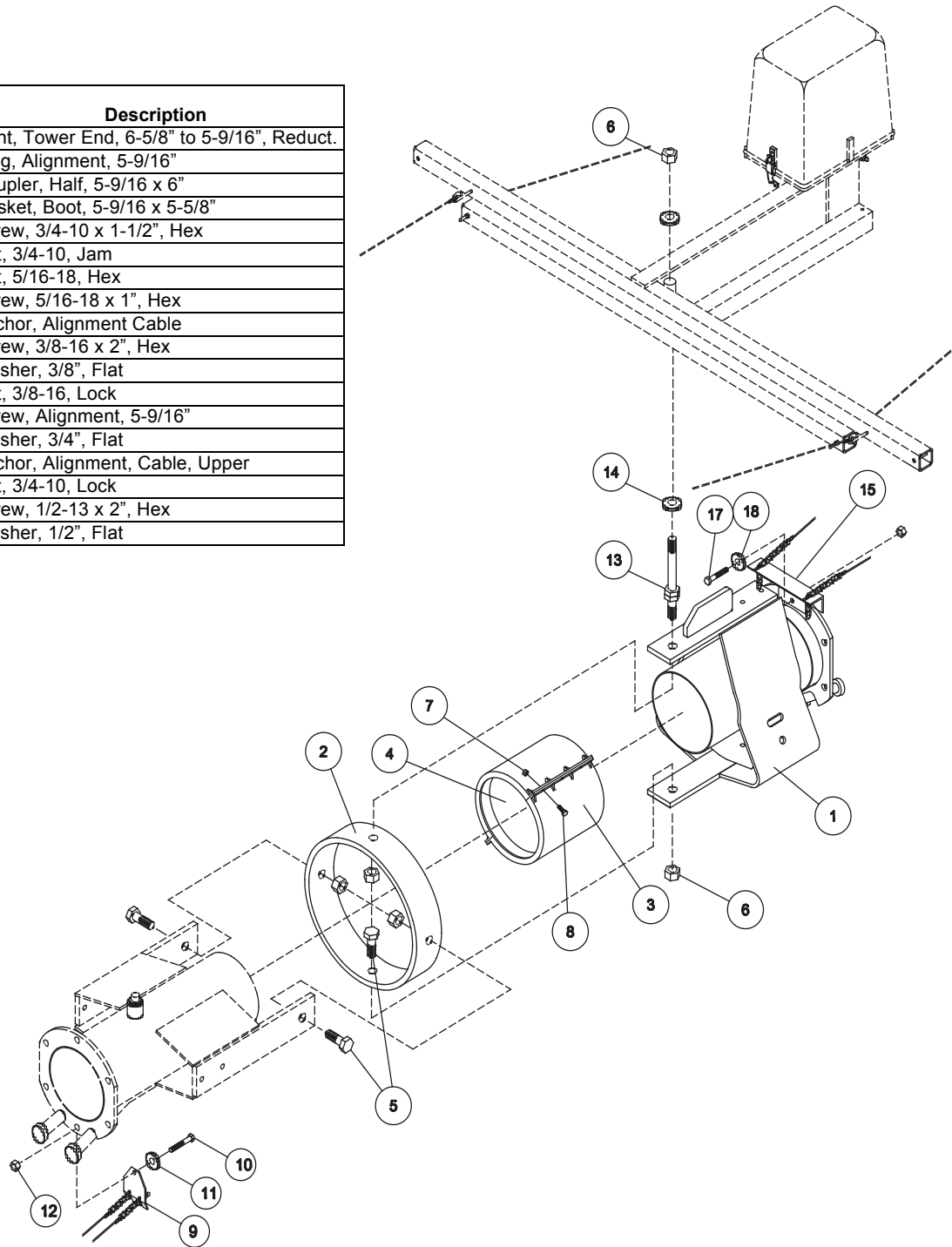




# M-Lateral Systems

## Tower Joint, Reduction, 6-5/8" to 5-9/16", 0118935

Ref.	Original Part No.	Description
1	0306951	Joint, Tower End, 6-5/8" to 5-9/16", Reduct.
2	0404673	Ring, Alignment, 5-9/16"
3	0632562	Coupler, Half, 5-9/16 x 6"
4	0632570	Gasket, Boot, 5-9/16 x 5-5/8"
5	0642694	Screw, 3/4-10 x 1-1/2", Hex
6	0642702	Nut, 3/4-10, Jam
7	0608224	Nut, 5/16-18, Hex
8	0608026	Screw, 5/16-18 x 1", Hex
9	1011576	Anchor, Alignment Cable
10	0619106	Screw, 3/8-16 x 2", Hex
11	0602508	Washer, 3/8", Flat
12	0624205	Nut, 3/8-16, Lock
13	1015551	Screw, Alignment, 5-9/16"
14	0640102	Washer, 3/4", Flat
15	1015510	Anchor, Alignment Cable, Upper
16	0624171	Nut, 3/4-10, Lock
17	0608059	Screw, 1/2-13 x 2", Hex
18	0608430	Washer, 1/2", Flat

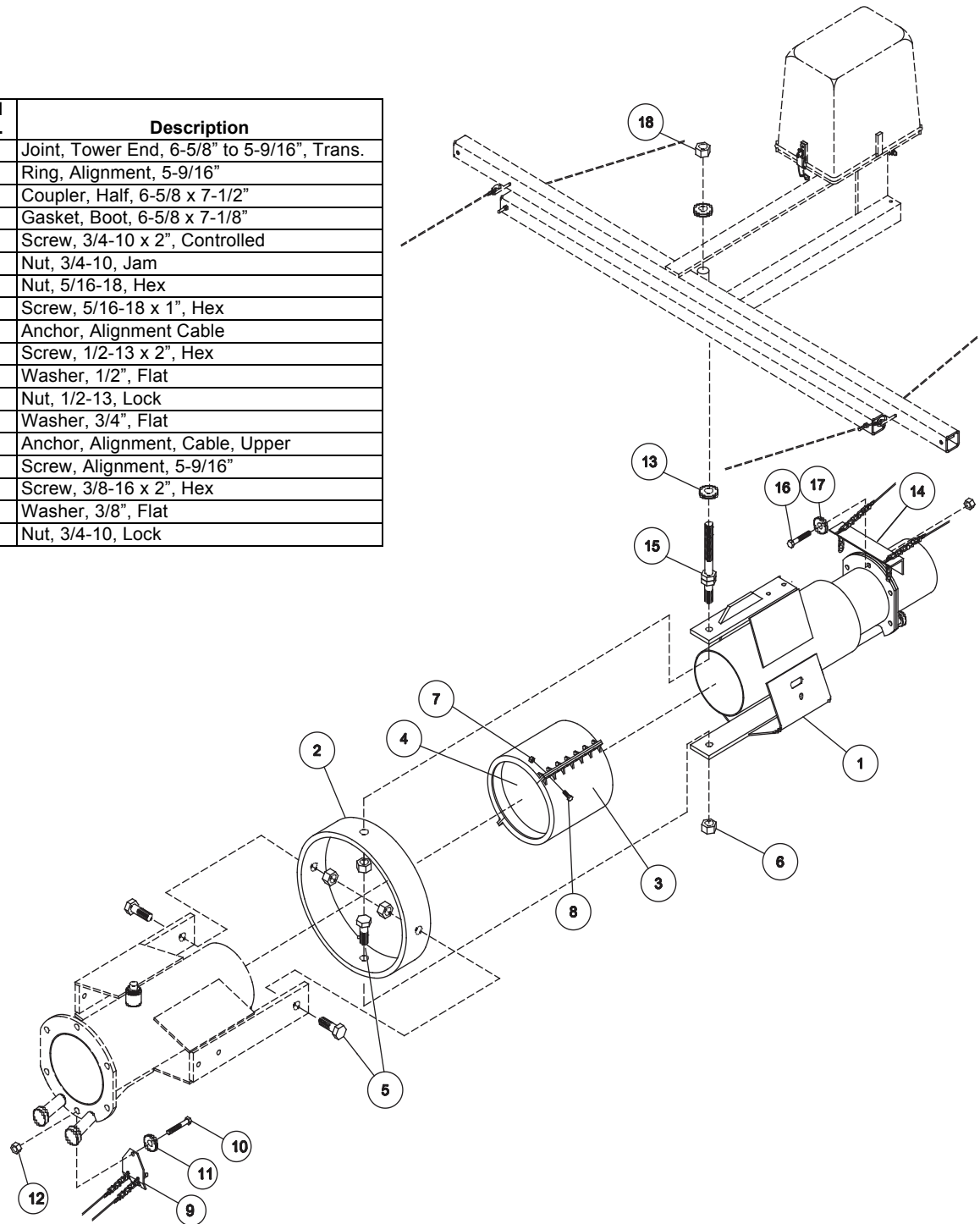




# M-Lateral Systems

## Tower Joint, Transition, 6-5/8" to 5-9/16", 0118984

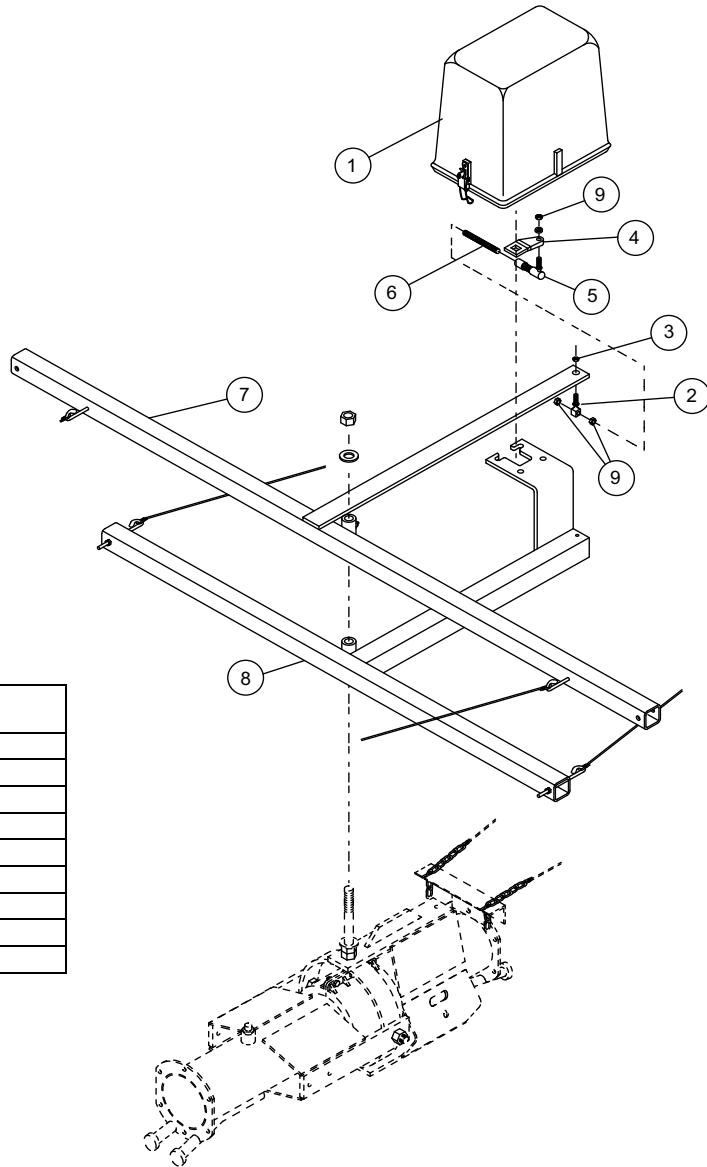
Ref.	Original Part No.	Description
1	0310748	Joint, Tower End, 6-5/8" to 5-9/16", Trans.
2	0404673	Ring, Alignment, 5-9/16"
3	0644914	Coupler, Half, 6-5/8 x 7-1/2"
4	0644906	Gasket, Boot, 6-5/8 x 7-1/8"
5	1291750	Screw, 3/4-10 x 2", Controlled
6	0642702	Nut, 3/4-10, Jam
7	0608224	Nut, 5/16-18, Hex
8	0608026	Screw, 5/16-18 x 1", Hex
9	1011576	Anchor, Alignment Cable
10	0608059	Screw, 1/2-13 x 2", Hex
11	0608430	Washer, 1/2", Flat
12	0624189	Nut, 1/2-13, Lock
13	0640102	Washer, 3/4", Flat
14	1015510	Anchor, Alignment Cable, Upper
15	1015551	Screw, Alignment, 5-9/16"
16	0619106	Screw, 3/8-16 x 2", Hex
17	0602508	Washer, 3/8", Flat
18	0624171	Nut, 3/4-10, Lock





# M-Lateral Systems

## Tower Control, Standard, 0113563

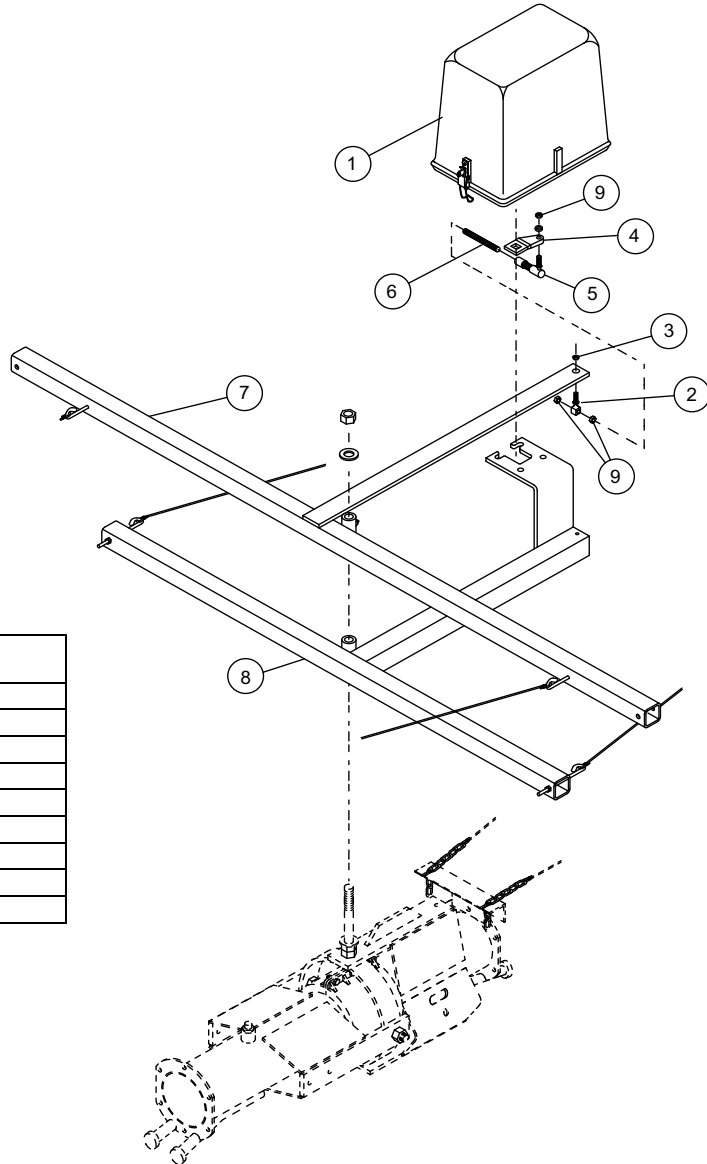


Ref.	Original Part No.	Description
1	0379867	Panel, Tower, Control, Std. 10 Wire
2	0644112	Joint, Adjust, Ball, Swivel
3	1112440	Nut, 1/4-28, Lock, Nylon
4	0604603	Arm, Cam, Tower Control Box
5	0604702	Joint, Ball, Quick Disconnect
6	0637181	Rod, Linkage, Control, 5/16-24 x 6"
7	1112275	Arm Weldment, Wire Alignment
8	1016682	Mount, Tower Panel, Alignment
9	0602409	Nut, 5/16-24, Hex



# M-Lateral Systems

## Tower Control, Next-to-Last, 0113589

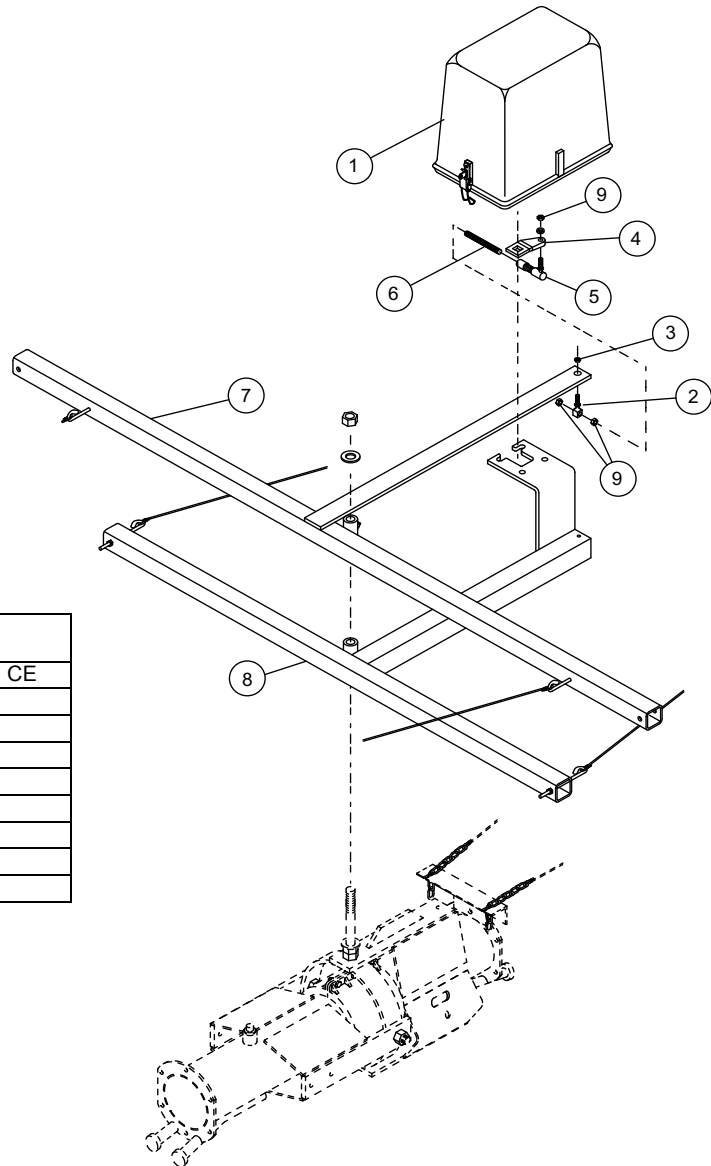


Ref.	Original Part No.	Description
1	1172204	Panel, Tower, Control, NTL 10 Wire
2	0644112	Joint, Adjust, Ball, Swivel
3	1112440	Nut, 1/4-28, Lock, Nylon
4	0604603	Arm, Cam, Tower Control Box
5	0604702	Joint, Ball, Quick Disconnect
6	0637181	Rod, Linkage, Control, 5/16-24 x 6"
7	1112275	Arm Weldment, Wire Alignment
8	1016682	Mount, Tower Panel, Alignment
9	0602409	Nut, 5/16-24, Hex



# M-Lateral Systems

Tower Control, Next-to-Last, CE, 0154460



Ref.	Original Part No.	Description
1	1207520	Panel, Tower, Control, NTL, 10 Wire, CE
2	0644112	Joint, Adjust, Ball, Swivel
3	1112440	Nut, 1/4-28, Lock, Nylon
4	0604603	Arm, Cam, Tower Control Box
5	0604702	Joint, Ball, Quick Disconnect
6	0637181	Rod, Linkage, Control, 5/16-24 x 6"
7	1112275	Arm Weldment, Wire Alignment
8	1016682	Mount, Tower Panel, Alignment
9	0602409	Nut, 5/16-24, Hex



# M-Lateral Systems

## Wire Alignment Cables

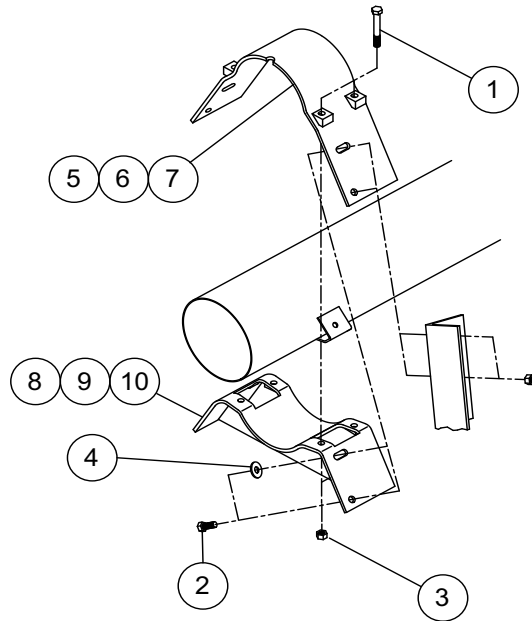
Ref.	Original Part No.	Description
1	0310185	Cable Assembly, 113'
2	0641308	Cable Assembly, 135'
3	0641290	Cable Assembly, 157'
4	0641316	Cable Assembly, 179'
5	0303750	Cable Assembly, 201'



# M-Lateral Systems

## Lateral Towers

Lateral systems use standard towers as found on center pivots, refer to the previous Tower Section for tower parts. Only the clamps used to create the free-standing span are listed here.



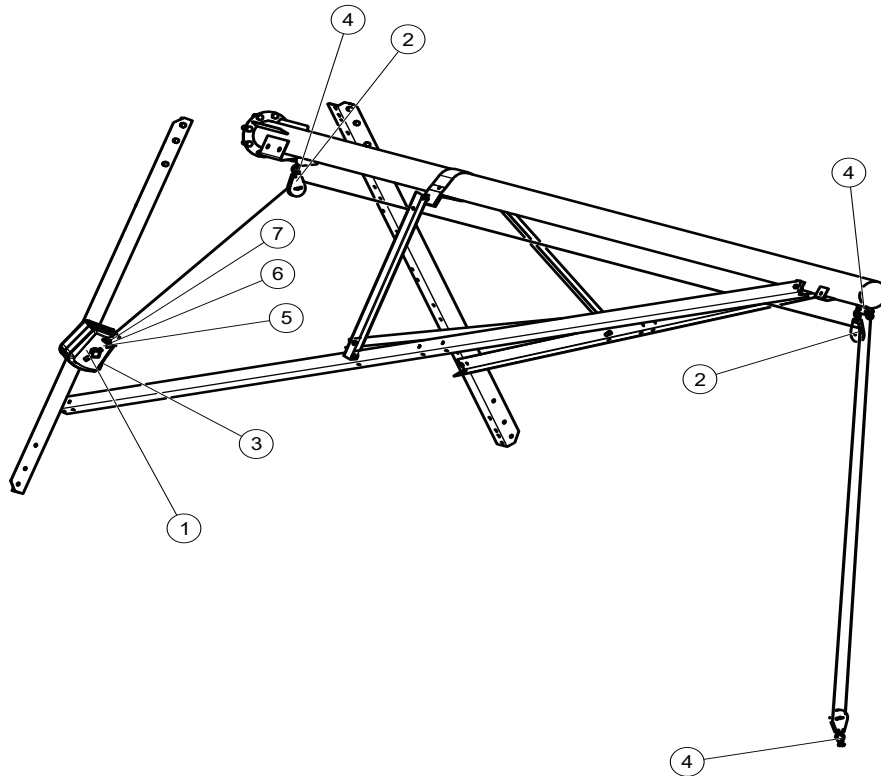
Ref.	Original Part No.	Description
1	0645283	Screw, 5/8-11 x 4-1/2, Hex
2	0608075	Screw, 5/8-11 x 2", Hex
3	0624163	Nut, 5/8-11, Lock
4	0608182	Washer, 5/8", Flat
5	1164284	Saddle, Weld, Top, 8"
6	1444310	Saddle, Weld, Top, 8-5/8"
7	1163617	Saddle, Weld, Top, 10"
8	1164243	Saddle, Weld, Bottom, 8"
9	1444250	Saddle, Weld, Bottom, 8-5/8"
10	1163609	Saddle, Weld, Bottom, 10"



# M-Lateral Systems

## Winch Assemblies

### Winch Assembly, Electric, End Fed, 0183230

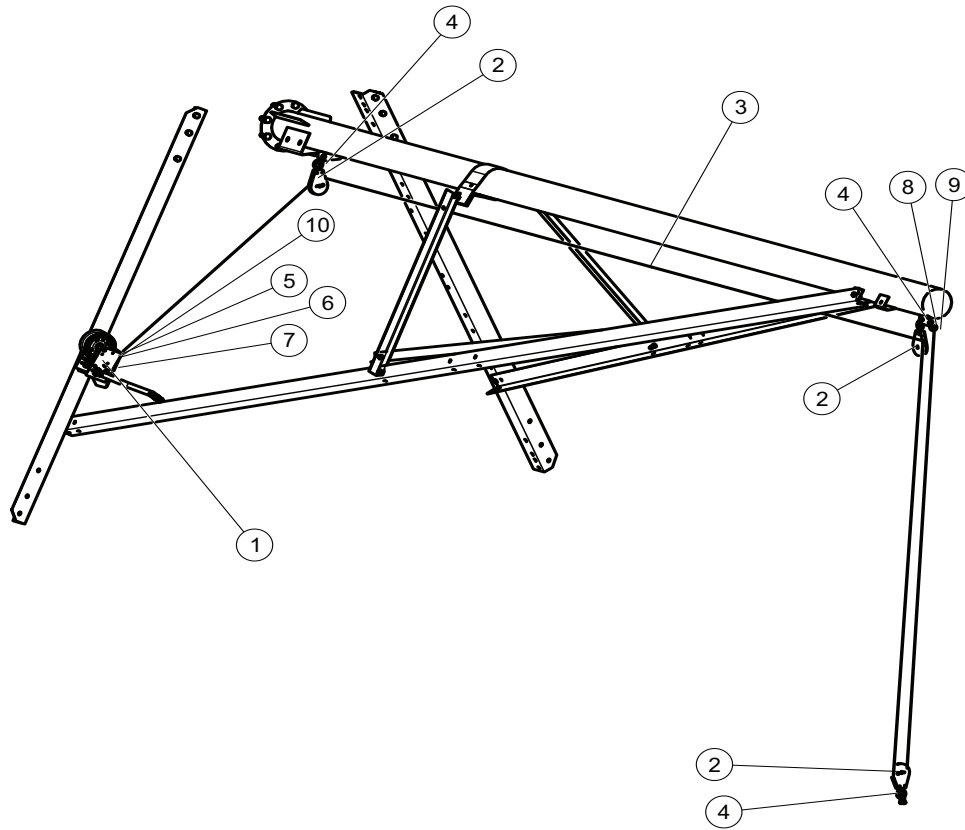


Ref.	Original Part No.	Description
1	1602392	Winch, Electric, 12 VDC, 2200 Lb
2	1602707	Pulley with Rope, Swivel Eye, 3-1/2"
3	1602400	Mount, Weldment, Winch
4	1602966	Shackle, 7/16" Anchor
5	0624205	Nut, 3/8-16, Lock
6	0608034	Screw, 3/8-16 x 1-1/2", Hex
7	0602508	Washer, 3/8", Flat



# M-Lateral Systems

## Winch Assembly, Manual, End Fed, 0183220

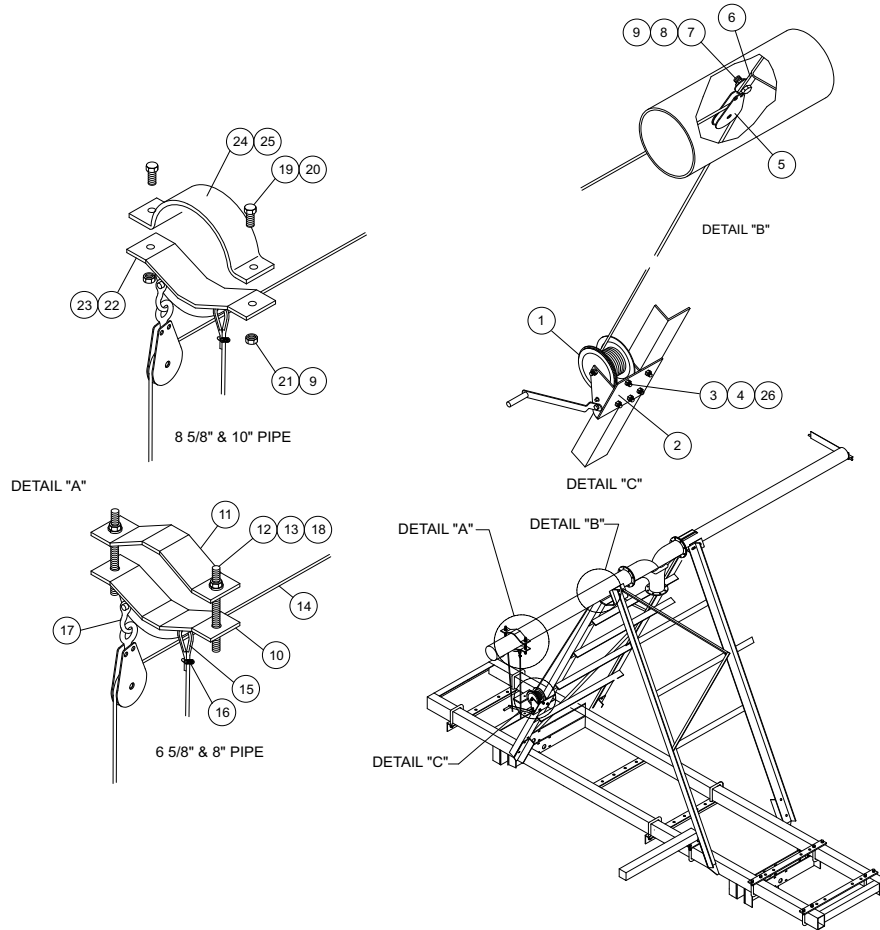


Ref.	Original Part No.	Description
1	1602391	Winch, Manual, Brake, 2200 Lb
2	1602707	Pulley with Rope, Swivel Eye, 3-1/2"
3	0304634	Cable, Winch, 3/16" x 70'
4	1602966	Shackle, 7/16" Anchor
5	0624205	Nut, 3/8-16, Lock
6	0608034	Screw, 3/8-16 x 1-1/2", Hex
7	1602400	Mount, Weldment, Winch
8	0626200	Thimble, Cable, 3/16"
9	0626218	Clamp, Cable, 3/16"
10	06202508	Washer, 3/8", Flat



# M-Lateral Systems

## Winch Assembly, Manual, Center / Off Center Cart



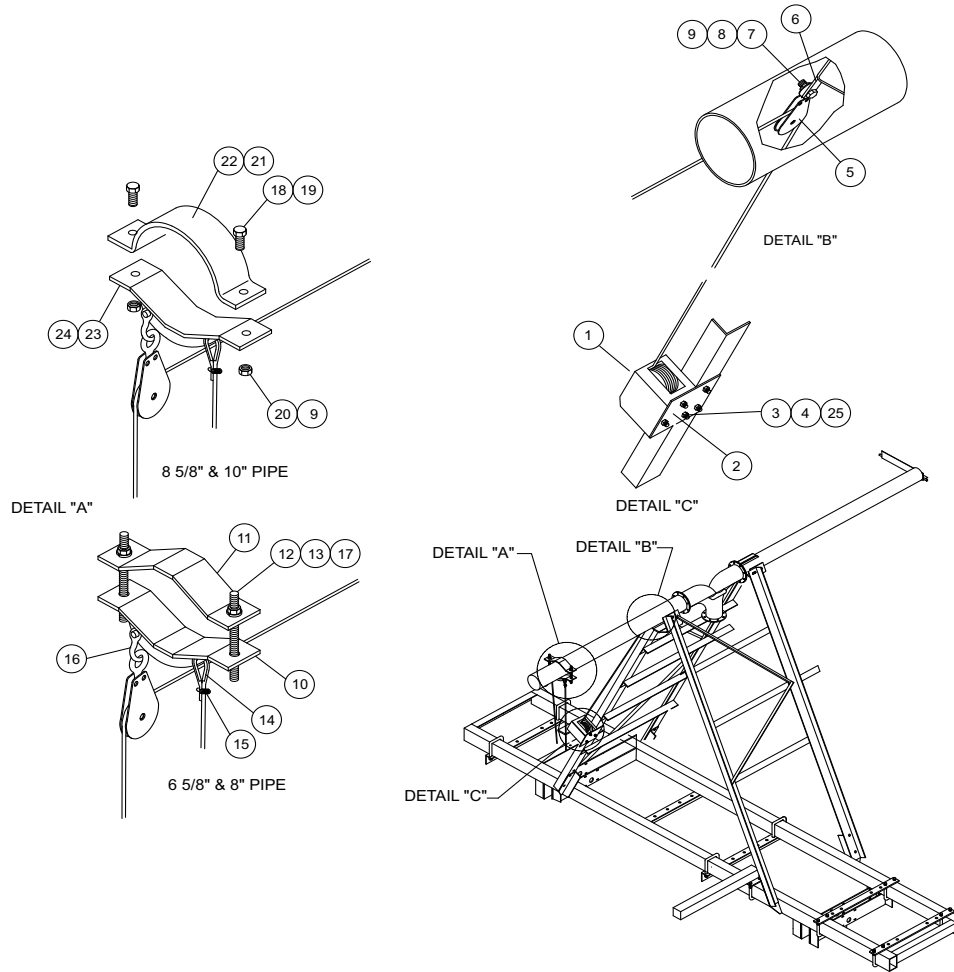
Ref.	Original Part No.	Description
1	1602391	Winch, Manual, 1500 Lb
2	1602400	Mount, Weldment, Winch
3	0608034	Screw, 3/8-16 x 1-1/2", Hex
4	0624205	Nut, 3/8-16, Lock
5	1602707	Pulley with Rope, Swivel Eye, 3-1/2"
6	0356295	Bracket, Pulley
7	0608190	Washer, 3/4", Flat
8	0602615	Screw, 3/4-10 x 2-1/2", Hex
9	0624171	Nut, 3/4-10, Lock
10	0472449	Mount, Universal Tower Panel
11	0472431	Clamp, Saddle, 5-9/16 to 8"
12	0608240	Nut, 1/2-13, Hex

Ref.	Original Part No.	Description
13	0352724	Rod, Threaded, 1/2-13 x 9"
14	0304634	Cable, Winch, 3/16 x 70'
15	0626200	Thimble, Cable, 3/16"
16	0626218	Cable Clamp, 3/16"
17	1602966	Shackle Ass'y, 7/16" Anchor
18	0608141	Washer, 1/2", Lock
19	0633578	Screw, 5/8-11 x 3", Hex
20	0608372	Screw, 3/4-10 x 3", Hex
21	0624163	Nut, 5/8-11, Lock
22	1097740	Clamp, Weldment, 10"
23	1444060	Clamp, Weldment, 8-5/8"
24	1097203	Clamp, Saddle, 10"
25	1107341	Clamp, Saddle, 8-5/8"
26	0602508	Washer, 3/8", Flat



# M-Lateral Systems

## Winch Assembly, Electric, Center / Off Center Cart



Ref.	Original Part No.	Description
1	1602392	Winch, Electric, 1500 Lb
2	1602400	Mount, Weldment, Winch
3	0608034	Screw, 3/8-16 x 1-1/2", Hex
4	0624205	Nut, 3/8-16, Lock
5	1602707	Pulley with Rope, Swivel Eye, 3-1/2"
6	0356295	Bracket, Pulley
7	0608190	Washer, 3/4", Flat
8	0602615	Screw, 3/4-10 x 2-1/2", Hex
9	0624171	Nut, 3/4-10, Lock
10	0472449	Mount, Universal Tower Panel
11	0472431	Clamp, Saddle, 5-9/16 to 8"
12	0608240	Nut, 1/2-13, Hex

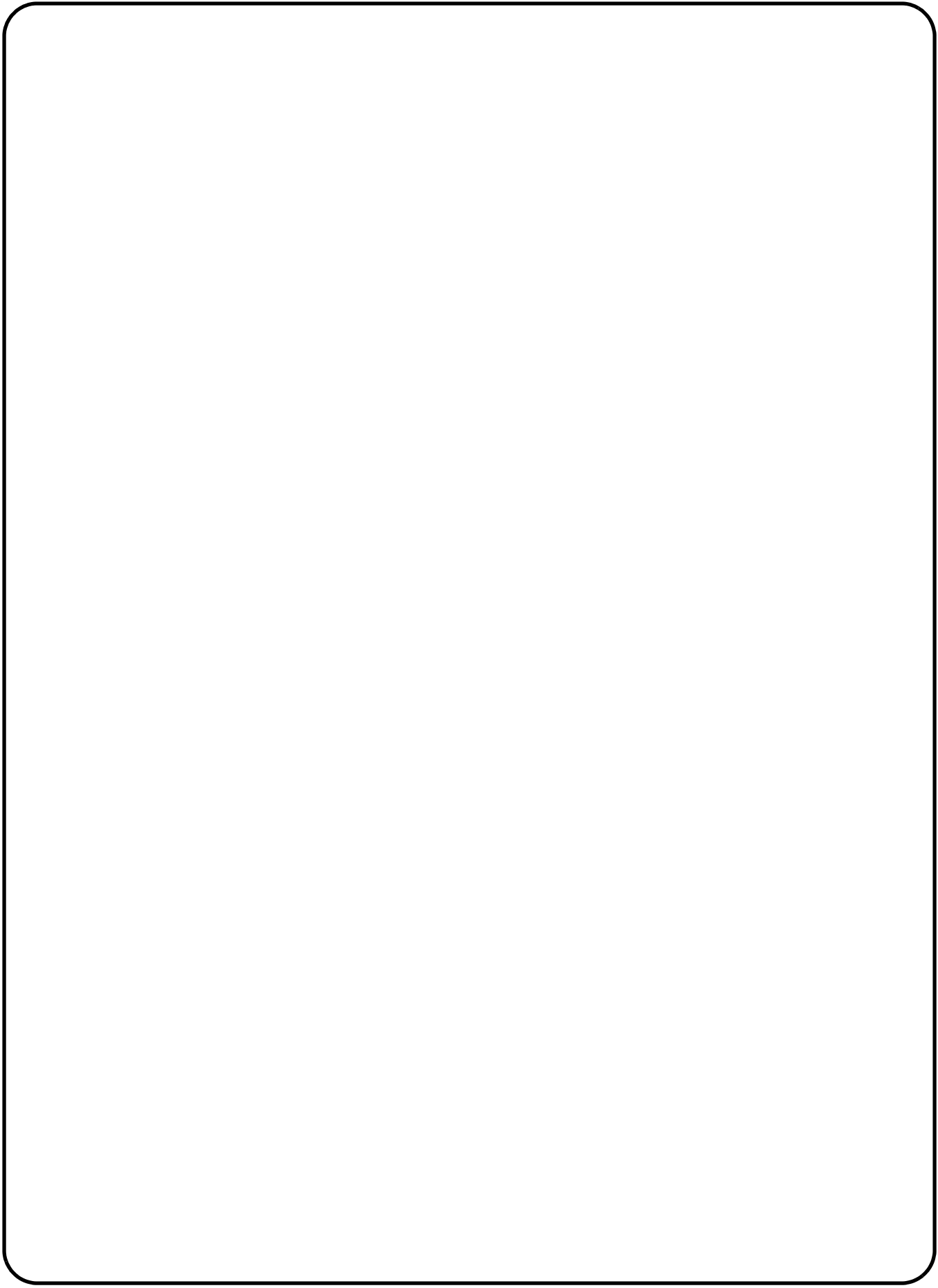
Ref.	Original Part No.	Description
13	0352724	Rod, Threaded, 1/2-13 x 9"
14	0626200	Thimble, Cable, 3/16"
15	0626218	Cable Clamp, 3/16"
16	1602966	Shackle Ass'y, 7/16" Anchor
17	0608141	Washer, 1/2", Lock
18	0633578	Screw, 5/8-11 x 3", Hex
19	0608372	Screw, 3/4-10 x 3", Hex
20	0624163	Nut, 5/8-11, Lock
21	1097740	Clamp, Weldment, 10"
22	1444060	Clamp, Weldment, 8-5/8"
23	1097203	Clamp, Saddle, 10"
24	1107341	Clamp, Saddle, 8-5/8"
25	0602508	Washer, 3/8", Flat

# M-Lateral Systems



## Table of Contents

Pivot Joint, Lower Half .....	N-3
Pivot Joint, Span Connection .....	N-4
Pivot Joint, Upper Half .....	N-5
Pivot Tower.....	N-6
9500CC Span Pipe .....	N-7
9500CC Braces and Ties .....	N-7
Overhang Joint, 9500CC.....	N-8
Overhang Sign, Corner 4x4 .....	N-9
Overhang Sign, 9500CC with GPS.....	N-10
Valves.....	N-11
H-Frame Assembly .....	N-12
H-Frame and Tower.....	N-12
H-Frame Steering .....	N-13
H-Frame Work Platform .....	N-14
H-Frame Stabilizer.....	N-15
H-Frame Stabilizer, Con't.....	N-16
Drive Spindle, 2x2.....	N-17
Drive Spindle, 4x4.....	N-18
Transmitter Panel Mount.....	N-19
9500CC Panels .....	N-19
Last Tower Panel, 1227210 .....	N-20
Swing Angle Encoder .....	N-21
Corner Processor Panel.....	N-22
Sequencer and Booster Panel .....	N-23
Booster Pump Plumbing .....	N-24
Pressure Switch .....	N-25
IMC Panel .....	N-26
Twist Safety Panel.....	N-27
Line Reactor Panel .....	N-28
Motor Drop Cable Junction Box .....	N-29
Air Compressor Plumbing .....	N-30
Air Compressor .....	N-30
Air Compressor Panel Mount .....	N-31
Air Compressor Tank Mount.....	N-32

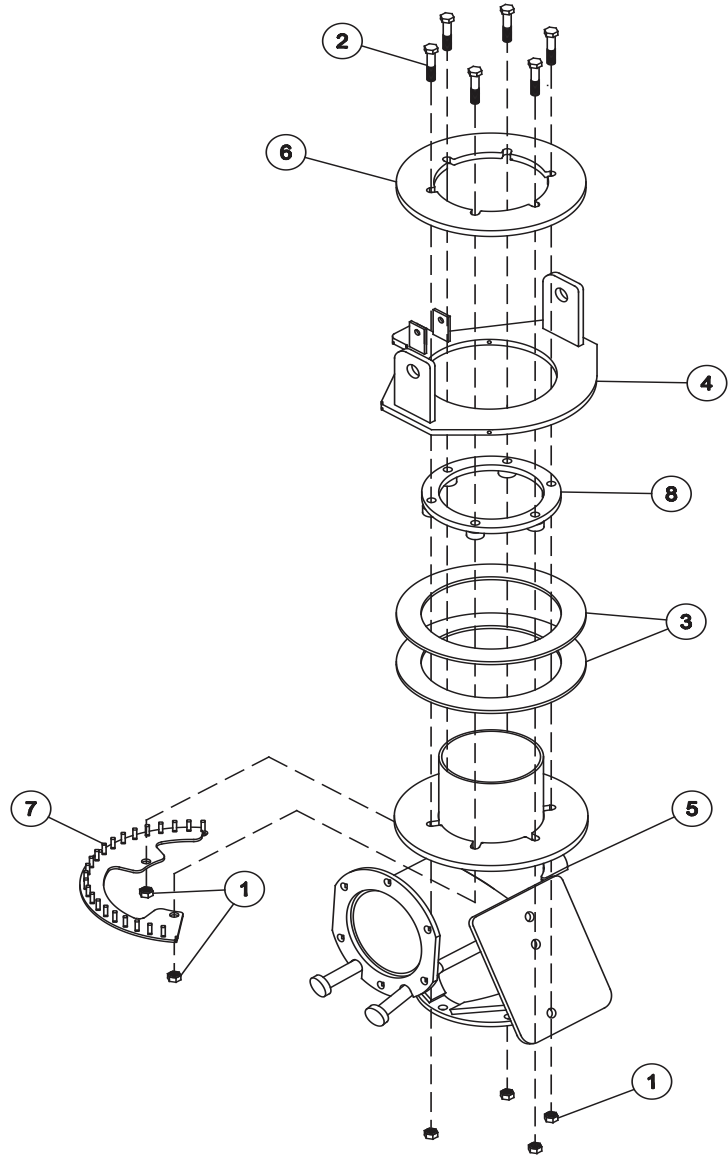




# 9500CC Components

## Pivot Joint, Lower Half

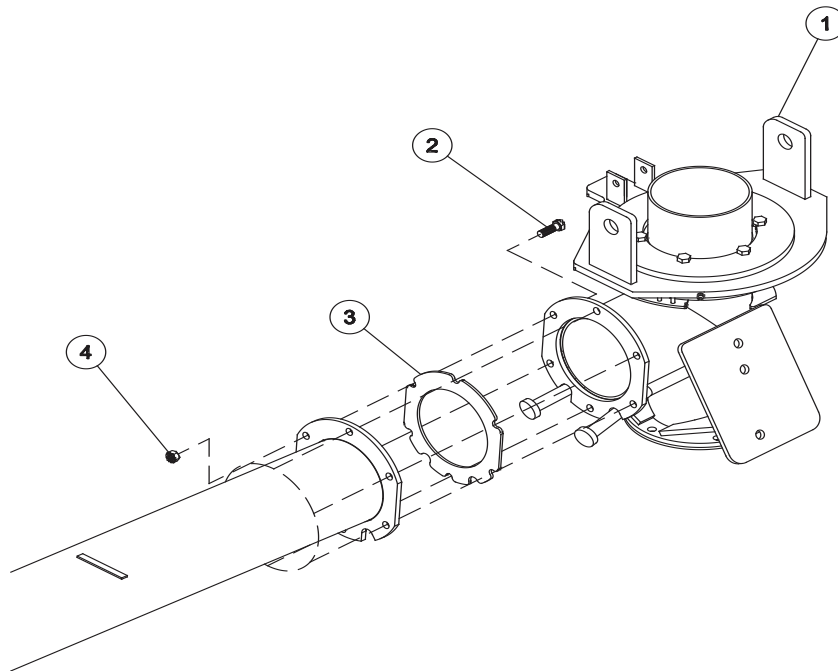
Ref.	Original Part No.	Description
1	0624189	Nut, 1/2-13, Lock
2	1057710	Screw, 1/2-13 x 3", Hex
3	1171396	Bearing, Joint Assembly
4	1171412	Coupling Bar Weldment, Vertical
5	1171453	Joint Weldment
6	1171487	Plate, Holding
7	1603308	Weld, Gear, Pin
8	1227810	Weldment, Centering Flange





# 9500CC Components

## Pivot Joint, Span Connection

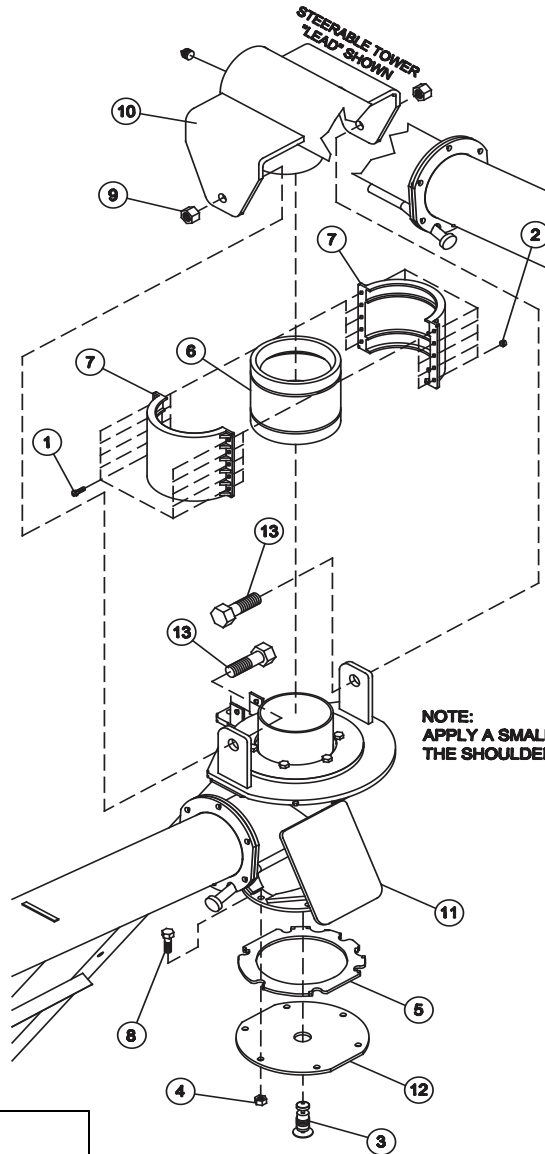


Ref.	Original Part No.	Description
1	1171560	Joint Assembly
2	0608398	Screw, 5/8-11 x 1-1/2", Hex
3	0644864	Gasket, Flange, 6-5/8"
4	0624163	Nut, 5/8-11, Lock



# 9500CC Components

## Pivot Joint, Upper Half

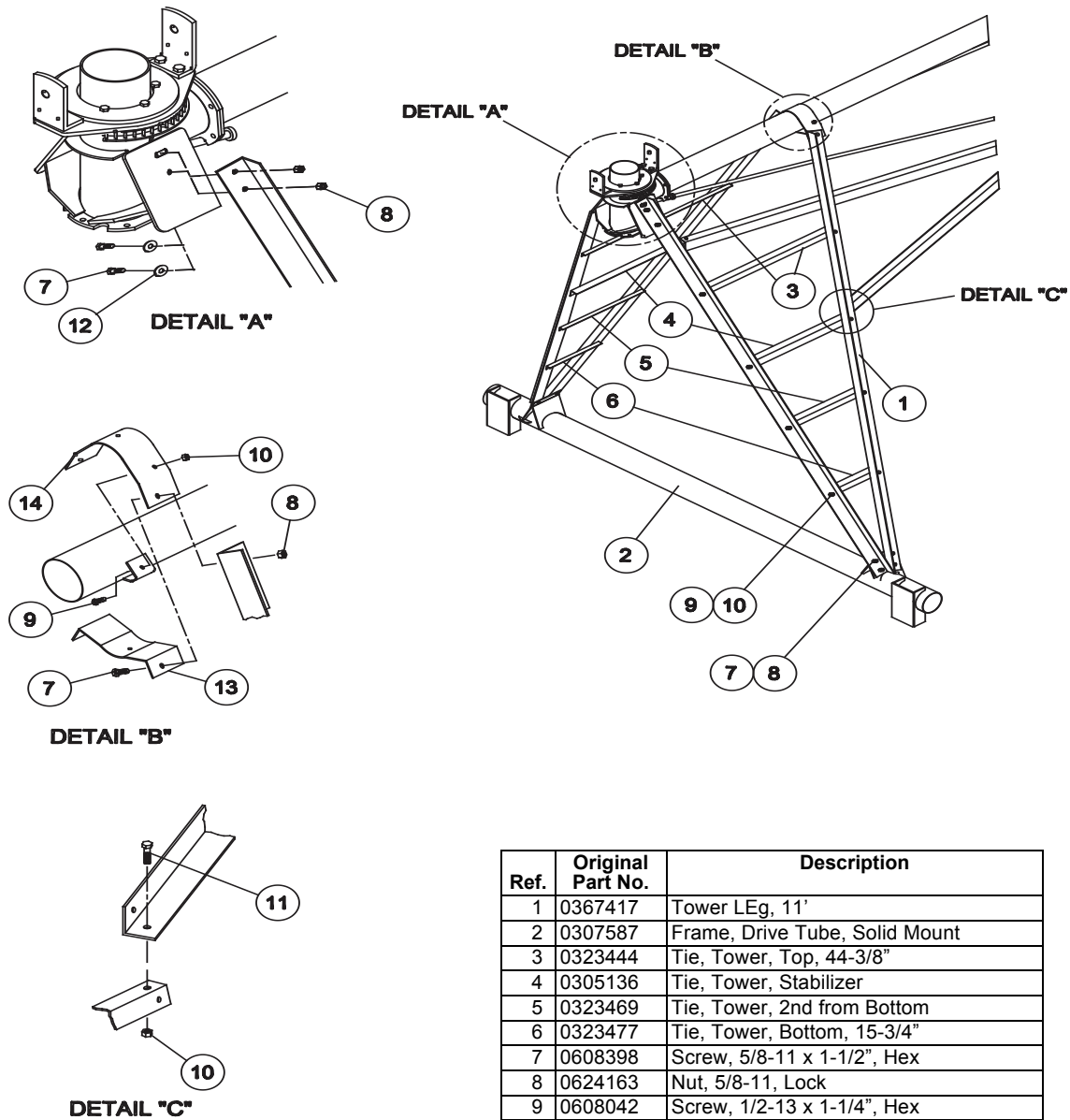


Ref.	Original Part No.	Description
1	0608026	Screw, 5/16-18 x 1", Hex
2	0624197	Nut, 5/16-18, Lock
3	0620708	Valve, Drain, 1"
4	0624189	Nut, 1/2-13, Lock
5	0644864	Gasket, Flange, 6-5/8"
6	0644906	Gasket, Boot, 6-5/8"
7	0644914	Coupler, Half, 6-5/8"
8	1057710	Screw, 1/2-13 x 3", Hex
9	1100247	Nut, 7/8-9, Lock, Nylon
10	1171263	Joint, Pivot End, Pivot Tower
11	1171560	Joint Assembly
12	1216950	Cap Weldment with 1" Coupling
13	1224040	Screw, 7/8-9 x 2-1/4", Hex



# 9500CC Components

## Pivot Tower



Ref.	Original Part No.	Description
1	0367417	Tower LEg, 11'
2	0307587	Frame, Drive Tube, Solid Mount
3	0323444	Tie, Tower, Top, 44-3/8"
4	0305136	Tie, Tower, Stabilizer
5	0323469	Tie, Tower, 2nd from Bottom
6	0323477	Tie, Tower, Bottom, 15-3/4"
7	0608398	Screw, 5/8-11 x 1-1/2", Hex
8	0624163	Nut, 5/8-11, Lock
9	0608042	Screw, 1/2-13 x 1-1/4", Hex
10	0624189	Nut, 1/2-13, Lock
11	2607604	Screw, 1/2-13 x 1-1/2", Hex
12	0608182	Washer, 5/8", Flat
13	0367524	Clamp, Lower Half, 6-5/8"
14	0367516	Clamp, Upper Half, 6-5/8"



# 9500CC Components

## 9500CC Span Pipe

179' Span 0147770 or 0168490 with GPS

201' Span 0147780 or 0168500 with GPS

Ref.	Original Part No.	Description
1	1133560	Pipe, Span, 6-5/8", 30" Outlets
2	1133552	Pipe, Half, 6-5/8", 30" Outlets
3	1221980	Pipe Weldment, Last Tower
4	1171263	Joint, Pivot End, Pivoting Tower

Ref.	Original Part No.	Description
1	1133560	Pipe, Span, 6-5/8", 30" Outlets
2	1221980	Pipe Weldment, Last Tower
3	1171263	Joint, Pivot End, Pivoting Tower
4	1134543	Spacer Kit, 6-5/8"

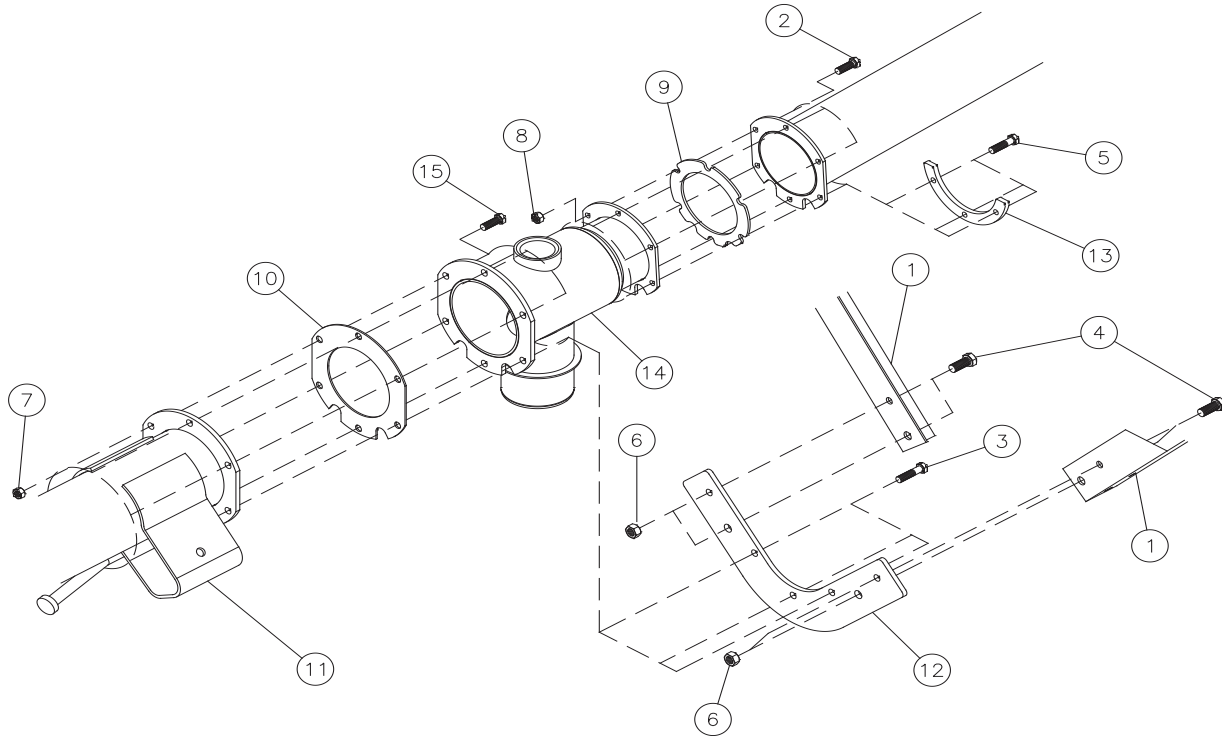
## 9500CC Braces and Ties

Ref.	Original Part No.	Description
1	0367094	Brace, Corner Span, 63-1/2"
2	0367102	Brace, Corner Span, 81-1/4"
3	0367110	Brace, Corner Span, 97-3/4"
4	0367128	Brace, Corner Span, 101-3/4"
5	0367136	Tie, Corner Span, 62-1/2"
6	0367144	Tie, Corner Span, 95-1/2"
7	0367151	Tie, Corner Span, 123-1/2"
8	0367169	Tie, Corner Span, 129-1/2"



# 9500CC Components

## Overhang Joint, 9500CC

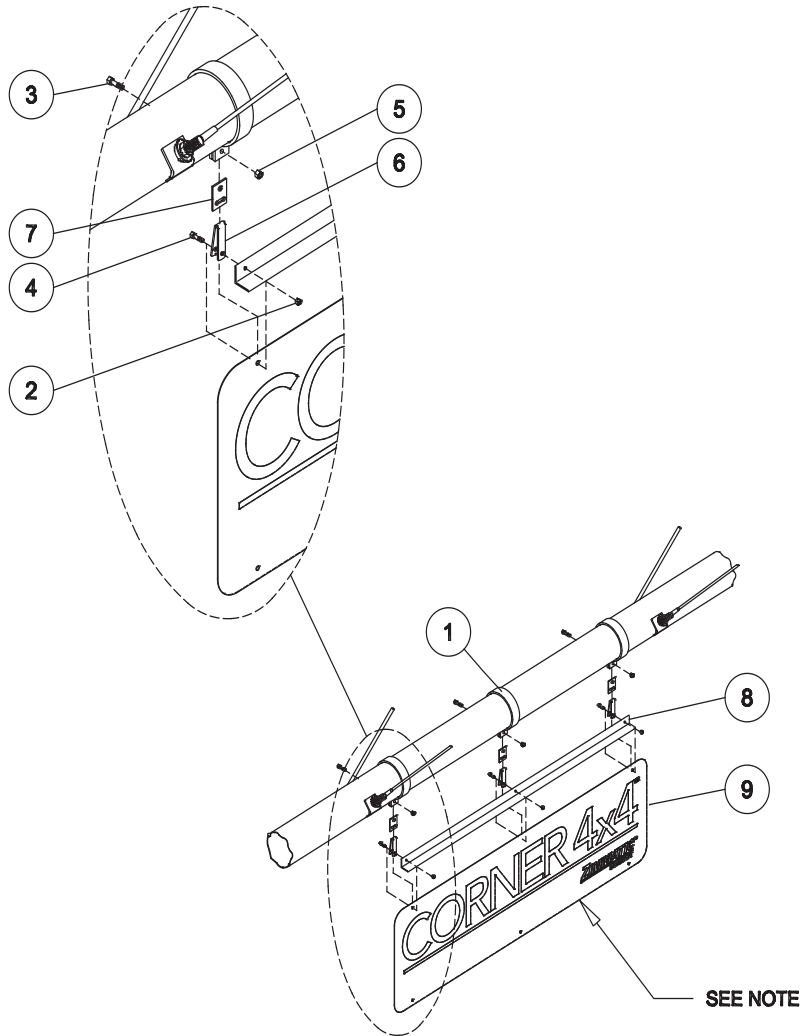


Ref.	Original Part No.	Description
1	0308924	Angle, Mast, 66'/88' Overhang
2	0608034	Screw, 3/8-16 x 1-1/2", Hex
3	0608059	Screw, 1/2-13 x 2", Hex
4	0608398	Screw, 5/8-11 x 1-1/2", Hex
5	0619106	Screw, 3/8-16 x 2", Hex
6	0624163	Nut, 5/8-11, Lock
7	0624189	Nut, 1/2-13, Lock
8	0624205	Nut, 3/8-16, Lock
9	0634436	Gasket, Flange, Overhang, 5-9/16"
10	0644864	Gasket, Flange, 6-5/8" Pipe
11	1221980	Pipe Weldment, Last Tower
12	1222740	Plate, Mounting, Overhang Mast
13	1222750	Flange, Back-Up, 5-9/16"
14	1224680	Joint, Overhang, Transition
15	2607604	Screw, 1/2-13 x 1-1/2", Hex



# 9500CC Components

## Overhang Sign, Corner 4x4

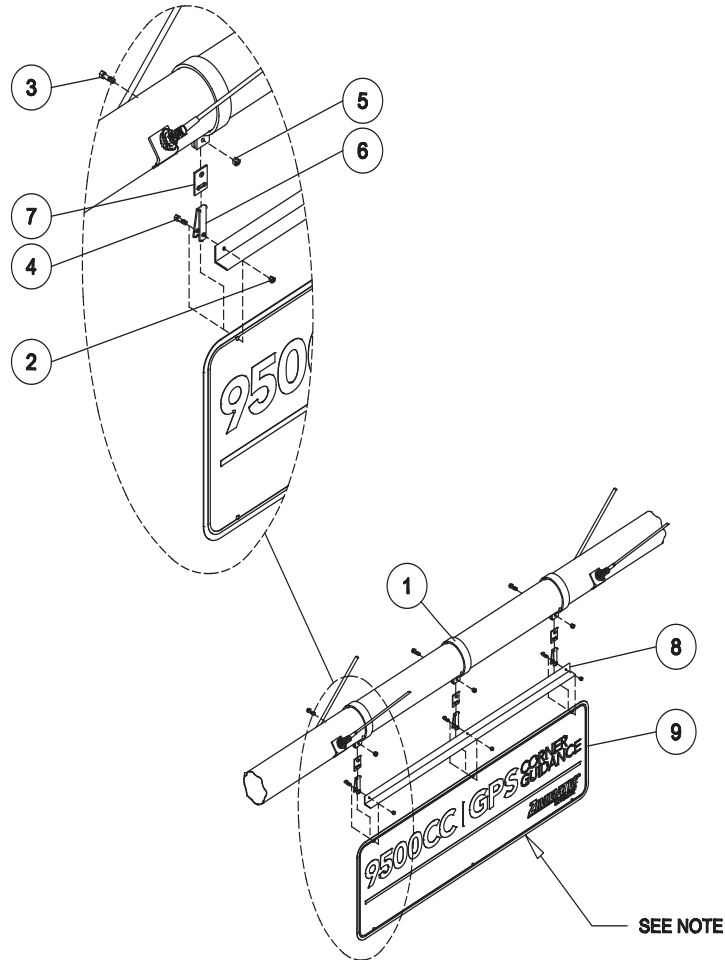


Ref.	Original Part No.	Description
1	0301770	Strap, Sign, Mount, 5-9/16"
2	0624197	Nut, 1/4-20, Lock
3	0633586	Screw, 5/16-18 x 1-1/4", Hex
4	0639369	Screw, 1/4-20 x 1", Hex
5	0643643	Nut, 5/16-18, Lock
6	1073790	Clevis, Sign
7	1073808	Hanger, Sign
8	1095983	Bracket, Sign
9	1600184	Sign, Overhang, Corner 4x4



# 9500CC Components

## Overhang Sign, 9500CC with GPS

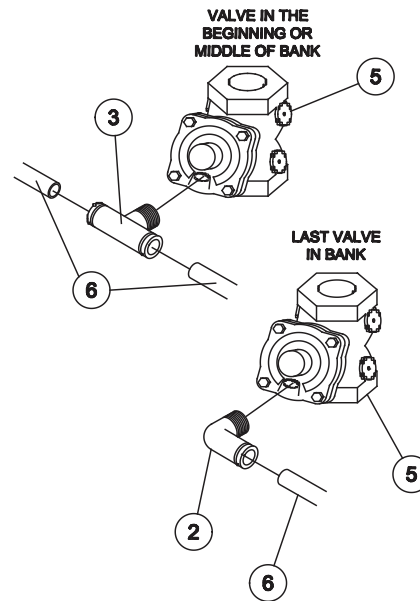
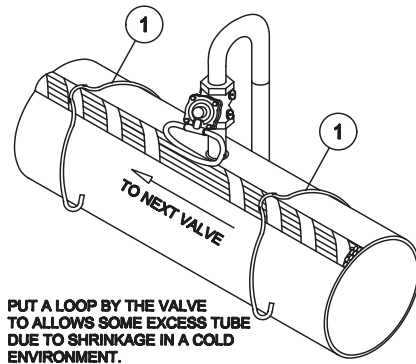
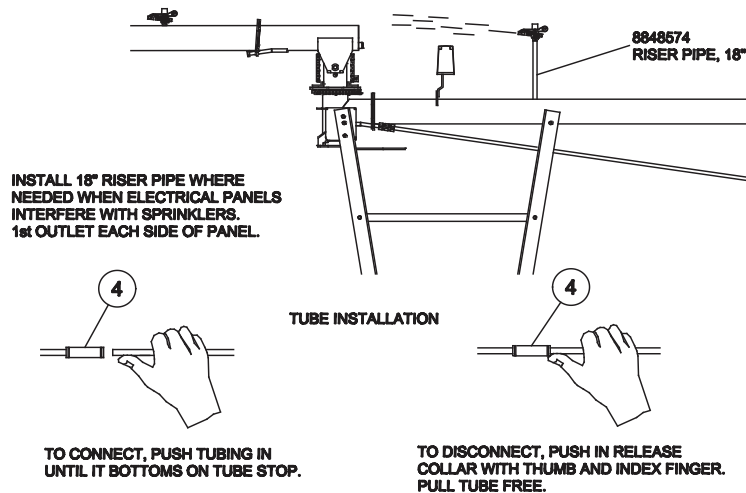


Ref.	Original Part No.	Description
1	0301770	Strap, Sign, Mount, 5-9/16"
2	0624197	Nut, 1/4-20, Lock
3	0633586	Screw, 5/16-18 x 1-1/4", Hex
4	0639369	Screw, 1/4-20 x 1", Hex
5	0643643	Nut, 5/16-18, Lock
6	1073790	Clevis, Sign
7	1073808	Hanger, Sign
8	1095983	Bracket, Sign
9	1600244	Sign, Overhang, 9500CC with GPS



# 9500CC Components

## Valves



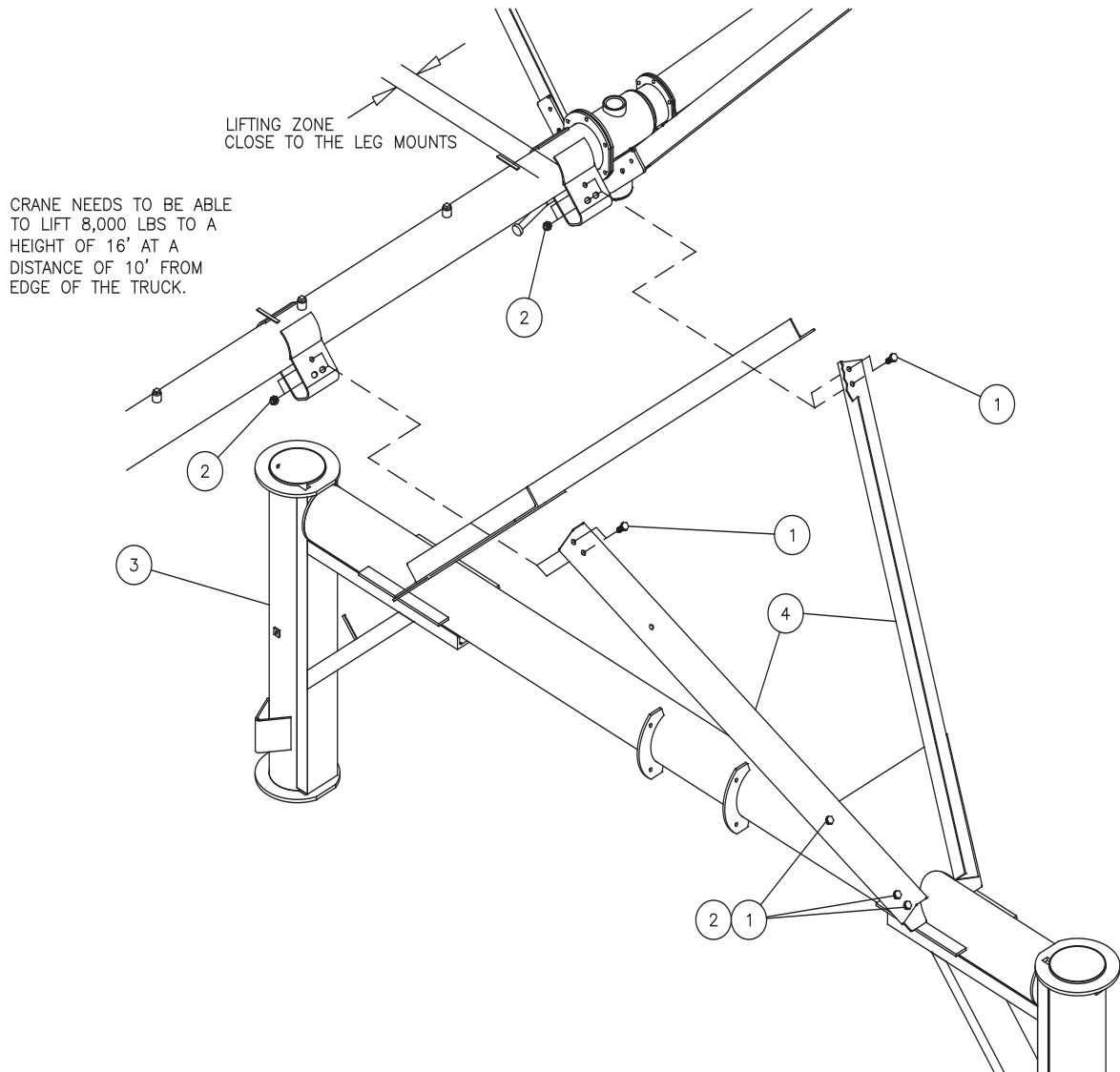
Ref.	Original Part No.	Description
1	1014851	Clip, Conduit, Spring Wire, 6-5/8"
2	1100007	Elbow, Push-In, 1/4 x 1/4" NPT
3	1100023	Tee, Male, 1/4" Tube x 1/4" NPT
4	1102201	Union, Push-In, 1/4"
5	1237240	Valve, Aquamatic, 3/4", Metal
6	1237250	Tubing Harness
	1237270	Tubing Harness



# 9500CC Components

## H-Frame Assembly

### H-Frame and Tower



Ref.	Original Part No.	Description
1	0608398	Screw, 5/8-11 x 1-1/2", Hex
2	0624163	Nut, 5/8-11, Lock
3	1221740	Frame, H-Weldment
4	1222870	Leg, Tower



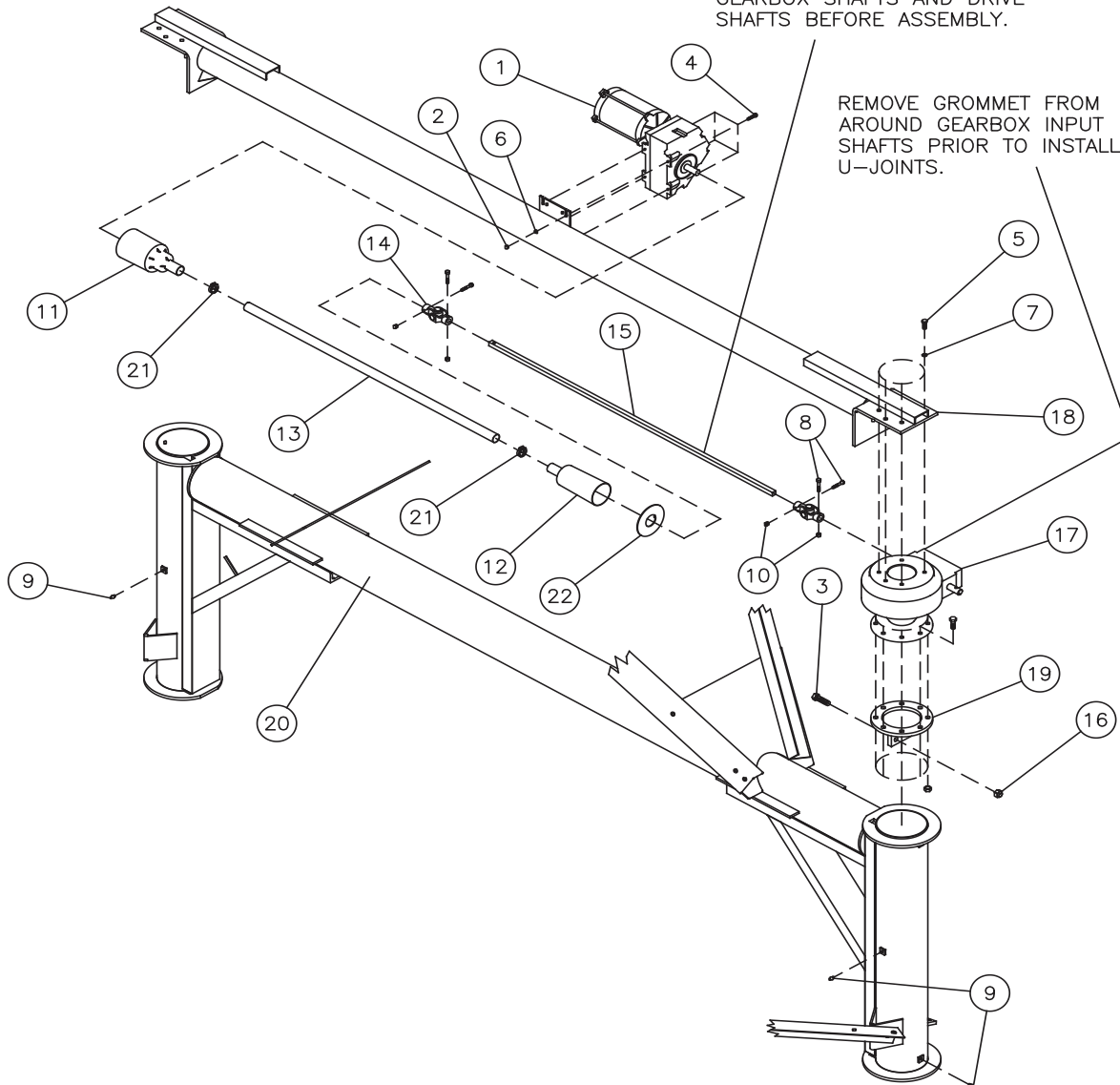
# 9500CC Components

## H-Frame Steering

NOTE: TYPICAL ASSEMBLY BOTH SIDES OF H-FRAME.

USE ANTI-SEIZE COMPOUND ON GEARBOX SHAFTS AND DRIVE SHAFTS BEFORE ASSEMBLY.

REMOVE GROMMET FROM AROUND GEARBOX INPUT SHAFTS PRIOR TO INSTALLING U-JOINTS.



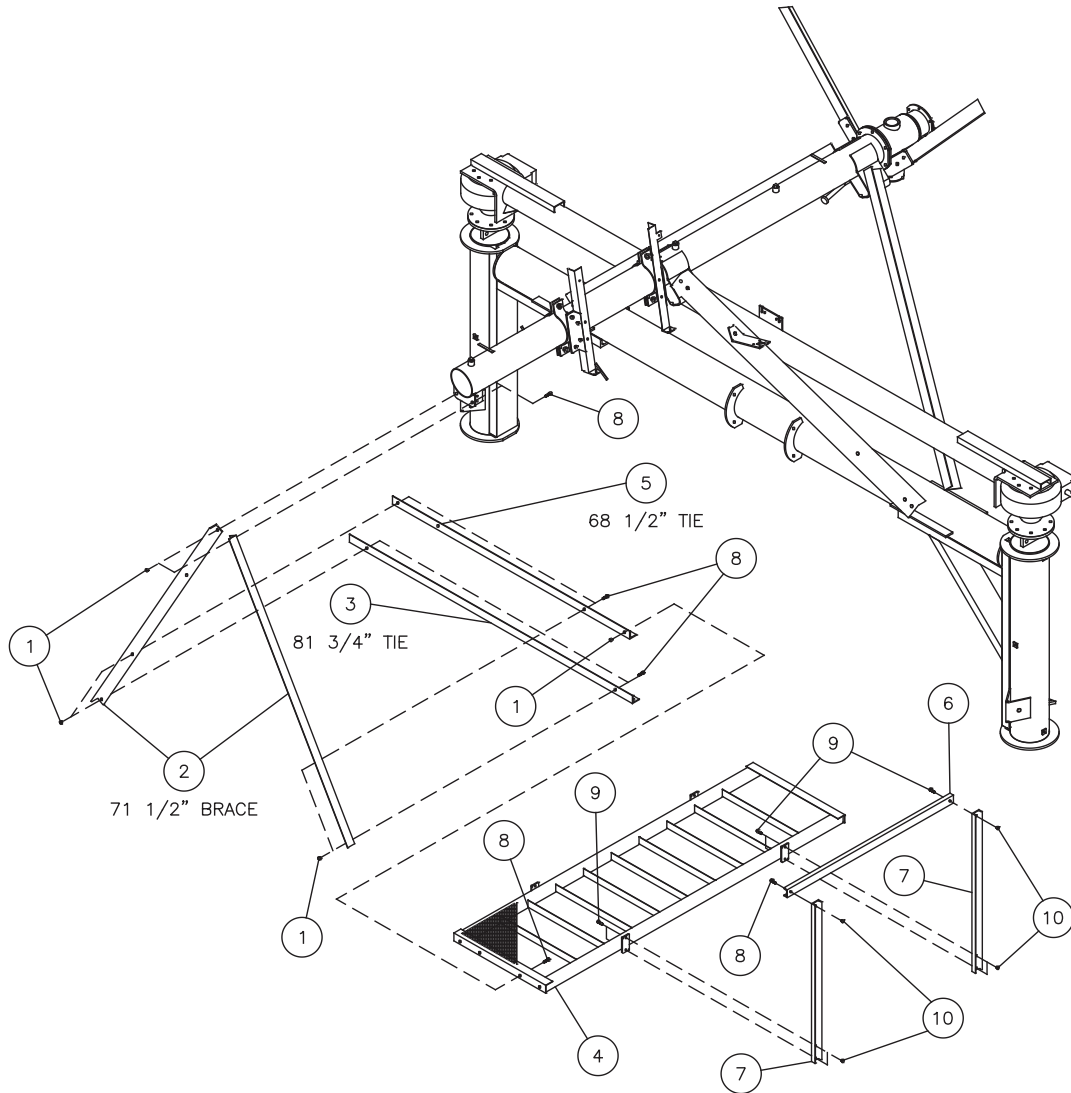
Ref.	Original Part No.	Description
1	0349845	Motor Assy, 1 HP, 30 RPM
2	0601203	Nut, 3/8-16, Hex
3	0602615	Screw, 3/4-10 x 2-1/2", Hex
4	0608034	Screw, 3/8-16 x 1-1/2", Hex
5	0608042	Screw, 1/2-13 x 1-1/4", Hex
6	0608133	Washer, 3/8", Lock
7	0608141	Washer, 1/2", Lock
8	0619106	Screw, 3/8-16 x 2", Hex
9	0620609	Fitting, Hydro Lube, 1/8"
10	0624205	Nut, 3/8-16, Lock
11	0635896	Bell, Drive Shaft End, 5-1/4"

Ref.	Original Part No.	Description
12	0643783	Bell, Drive Shaft End, 4-1/8"
13	0644427	Tube, Drive Shaft Cover
14	0647081	Joint, Universal, 3/4"
15	1089531	Shaft, Drive, 3/4"
16	1100239	Nut, 3/4-10, Lock, Nylon
17	1399530	Gearbox, AT, Non-Tow
18	1127851	Mount, Weldment, Steering
19	1127901	Adapter, Steering Panel
20	1221740	Frame, H-Weldment
21	2610913	Clamp, Hose, Worm Drive
22	1493010	Washer, Drive Shaft, Bell



# 9500CC Components

## H-Frame Work Platform

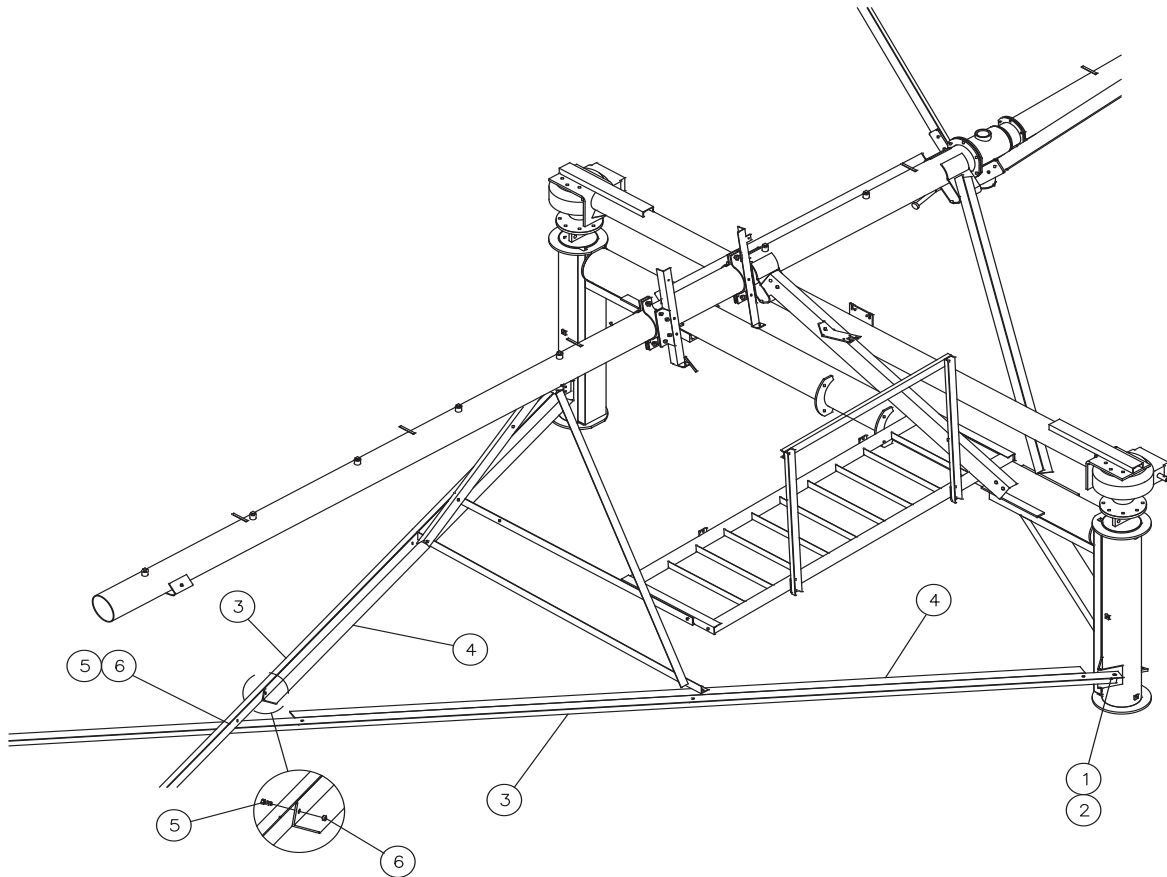


Ref.	Original Part No.	Description
1	0624189	Nut, 1/2-13, Lock
2	1222210	Brace, Stabilizer, Angle, 70°
3	1222220	Tie, Stabilizer Angle, 81-3/4"
4	1239580	Platform
5	1239600	Angle Support, Platform
6	1254280	Rail, Top
7	1254290	Rail, Side
8	2607604	Screw, 1/2-13 x 1-1/2", Hex
9	0608034	Screw, 3/8-16 x 1-1/2", Hex
10	0634196	Nut, 3/8-16, Flange, Lock



# 9500CC Components

## H-Frame Stabilizer

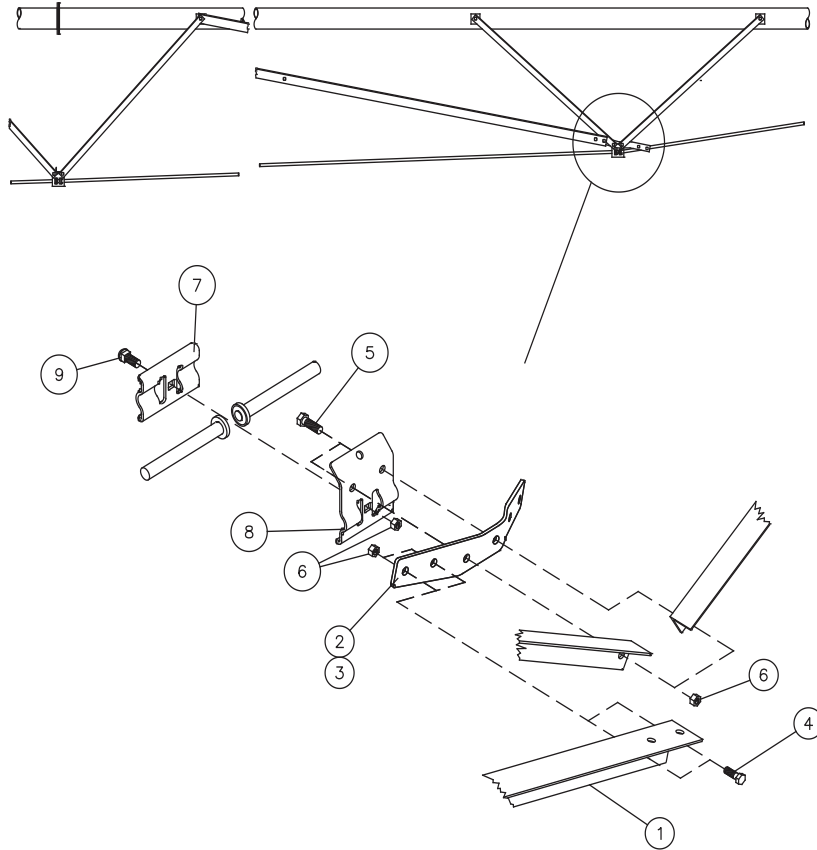


Ref.	Original Part No.	Description
1	0608091	Screw, 3/4-10 x 2", Hex
2	0624171	Nut, 3/4-10, Lock
3	1222230	Angle, Stabilizer, 266"
4	1222240	Support, Stabilizer Angle, 174"
5	2607604	Screw, 1/2-13 x 1-1/2", Hex
6	0624189	Nut, 1/2-13, Lock



# 9500CC Components

## H-Frame Stabilizer, Con't

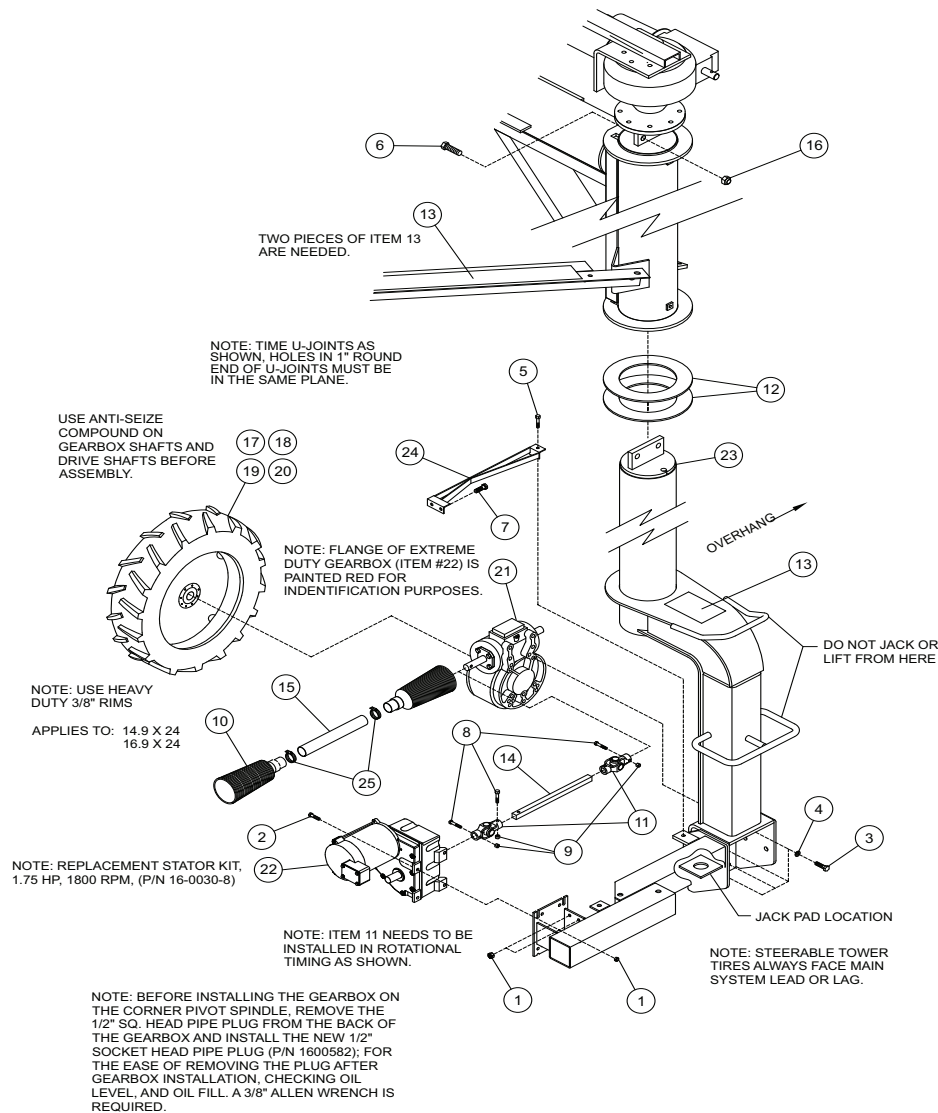


Ref.	Original Part No.	Description
1	0307280	Angle, Stabilizer
2	1223310	Mount, Right Hand, Stabilizer
3	1223320	Mount, Left Hand, Stabilizer
4	0608042	Screw, 1/2-13 x 1-1/2", Hex
5	0623041	Screw, 1/2-13 x 2-1/2", Hex
6	0624189	Nut, 1/2-13, Lock
7	1399950	Anchor, Rod, Large
8	1399960	Anchor, Rod, Small
9	1389960	Screw, 1/2-13 x 1-1/8", Carriage



# 9500CC Components

## Drive Spindle, 2x2



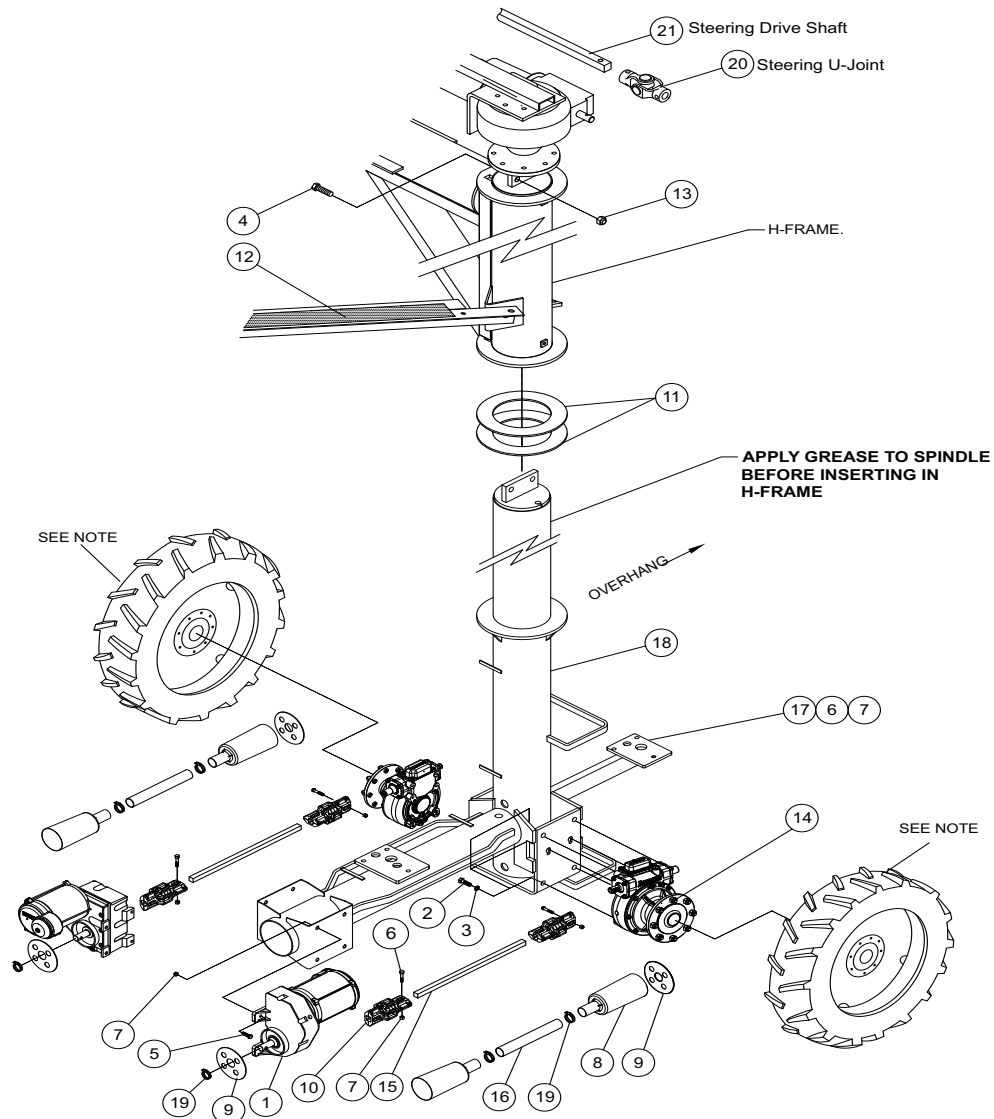
Ref.	Original Part No.	Description
1	0601203	Nut, 3/8-16, Hex
2	0608034	Screw, 3/8-16 x 1-1/2", Hex
3	0608042	Screw, 1/2-13 x 1-1/4", Hex
4	0608141	Washer, 1/2", Lock
5	0619403	Screw, 1/2-13 x 1", Hex
6	0608372	Screw, 3/4-10 x 3", Hex
7	0622217	Screw, 3/8-16 x 1", Hex
8	0624510	Screw, 3/8-16 x 2-1/2", Hex
9	0634196	Nut, 3/8-16, Flange, Toplock
10	0643783	Bell, Drive Shaft End, 4-1/8"
11	0647644	Joint, Universal
12	1091362	Bearing, Spindle, Nylon
13	1098565	Sheet, Floor, Anti-Slip x 60"
14	1376770	SHaft, Drive, SCP, 7/8" x 14-3/4"

Ref.	Original Part No.	Description
15	1376790	Tube, Drive Shaft, 1-1/2" x 10-1/2"
16	1100239	Nut, 3/4-10, Lock, Nylon Insert
17	1126689	Wheel Assembly, 14.9x24x12"x3/8, Right
18	1126697	Wheel Assembly, 14.9x24x12"x3/8, Left
19	1127224	Wheel Assembly, 14.9x24x15"x3/8, Right
20	1127232	Wheel Assembly, 14.9x24x15"x3/8, Left
21	1365040	Gearbox, CP, 1" Input
22	1172188	Motor Assembly, 1.75 HP, 40:1
23	1221660	Spindle Weldment, Off-set
24	1249430	Guard, Drive-in
25	2610193	Clamp, Hose, Worm Drive
26	1493010	Washer, Drive Shaft, Bell
27	1600582	Plug, Pipe, 1/2", Hex, Socket Head



# 9500CC Components

## Drive Spindle, 4x4



Ref.	Original Part No.	Description
1	0341842	Motor Ass'y, LCD, 3/4 HP, 43 RPM
2	0608042	Screw, 1/2-13 x 1-1/4", Hex
3	0608141	Washer, 1/2". Lock
4	0608372	Screw, 3/4-10 x 3", Hex
5	0622217	Screw, 3/8-16 x 1", Hex
6	0624510	Screw, 3/8-16 x 2-1/2", Hex
7	0634196	Nut, 3/8-16, Flange, Toplock
8	0643783	Bell, Drive SHaft End, 4-1/8" OD
9	1493010	Washer, Drive Shaft, Bell
10	1004357	Coupler Kit, 7/8" Drive Shaft
11	1091362	Bearing, Spindle, Nylon
12	1098565	Sheet, Floor, Anti-Slip x 60"
13	1100239	Nut, 3/4-10, Lock, Nylon Insert
14	1605990	Gearbox, AT, Non-Tow

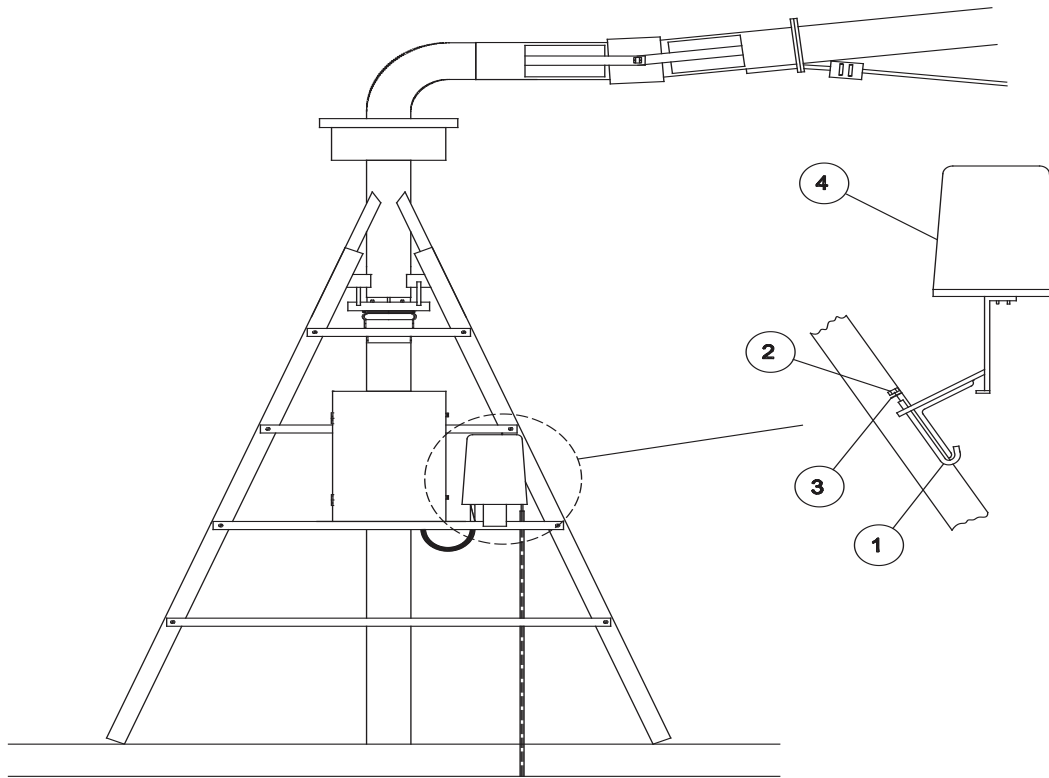
Ref.	Original Part No.	Description
15	1397210	Shaft, Drive, 7/8", 23" Long
16	1397220	Tube, Drive Shaft, 1-1/2" x 19"
17	1400390	Bracket, Antenna
18	1403480	Spindle Weldment, Off-set
19	2610193	Clamp, Hose, Worm Drive
20	1049824	Joint, Universal, 7/8" Sq., 6R Series
21	1049840	Shaft, Drive, 7/8", 61-1/8"
22	1126689	Wheel Assembly, 14.9x24x12"x3/8, Right
23	1126697	Wheel Assembly, 14.9x24x12"x3/8, Left
24	1127224	Wheel Assembly, 14.9x24x15"x3/8, Right
25	1127232	Wheel Assembly, 14.9x24x15"x3/8, Left



# 9500CC Components

## 9500CC Panels

### Transmitter Panel Mount

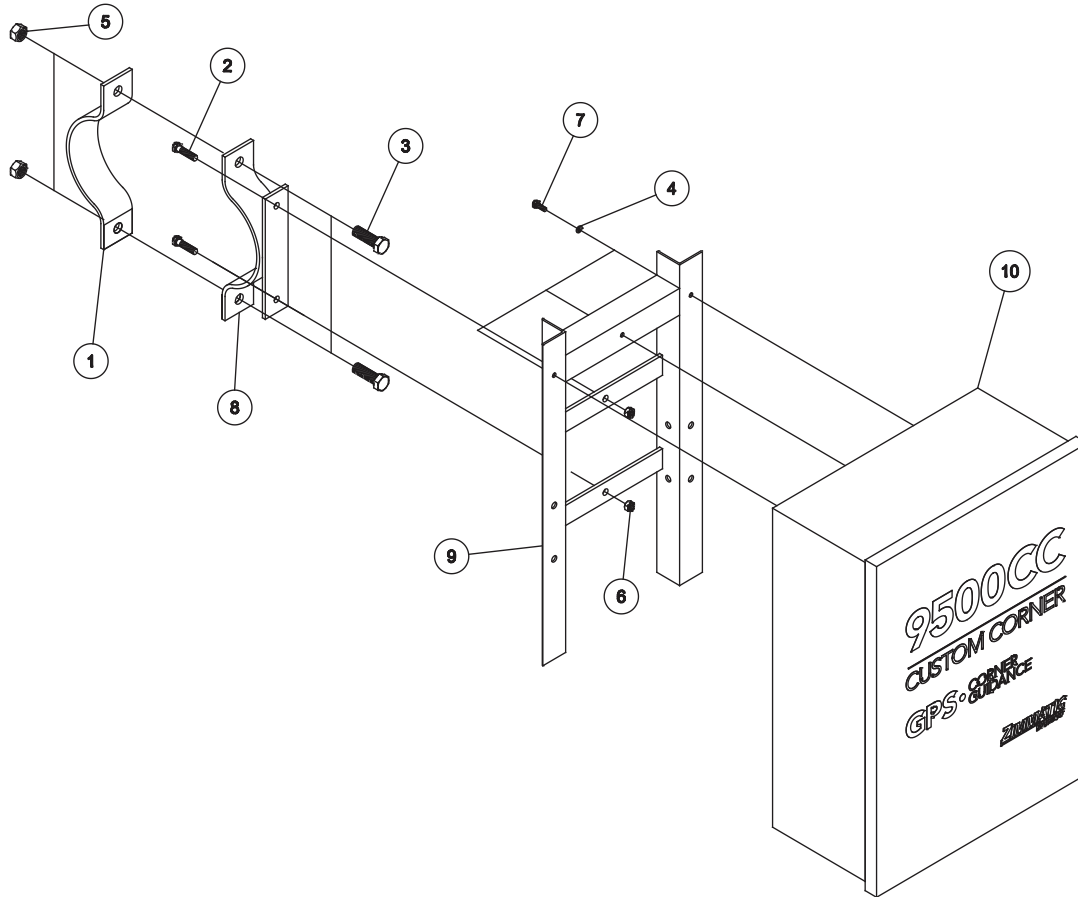


Ref.	Original Part No.	Description
1	0608406	Screw, 1/4-20 x 2-1/2", J
2	0608414	Nut, 1/4-20, Hex
3	0608422	Washer, 1/4", Flat
4	1605590	Panel. 9500CC, Transmitter, CE



# 9500CC Components

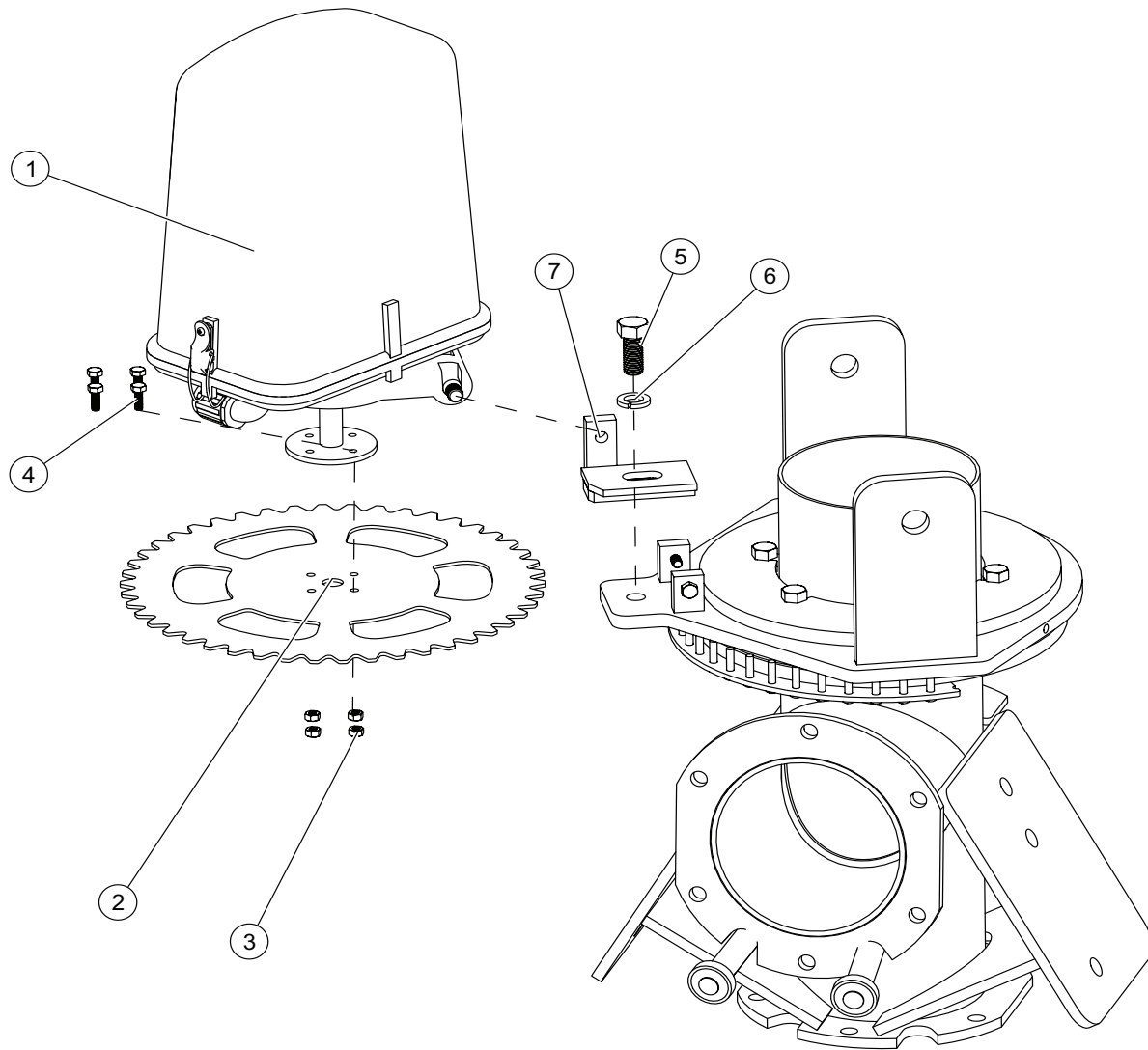
## Last Tower Panel, 1227210



Ref.	Original Part No.	Description
1	0332726	Clamp, Saddle, 6-5/8" x 2-1/2"
2	0608034	Screw, 3/8-16 x 1-1/2", Hex
3	0608075	Screw, 5/8-11 x 2", Hex
4	0615104	Washer, 1/4", Lock
5	0624163	Nut, 5/8-11, Lock
6	0624205	Nut, 3/8-16, Lock
7	1029859	Screw, 1/4-20 x 3/4", Hex
8	1145721	Clamp Half, Control Panel
9	1178078	Bracket, Last Panel
10	1227210	Panel, Last Tower

# 9500CC Components

## Swing Angle Encoder

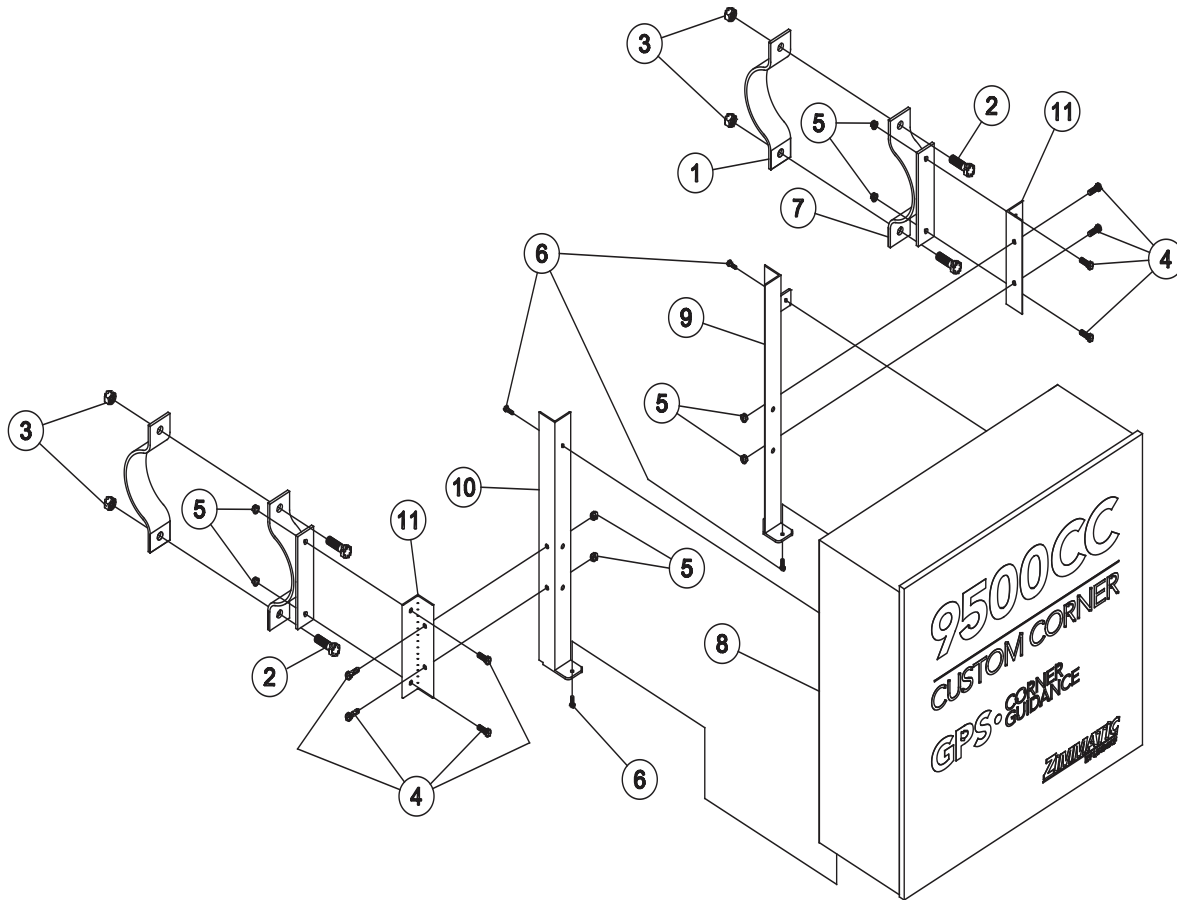


REF. NO.	PART NO.	DESCRIPTION	QTY
1	1601020	PANEL, ASSY, ENCODER, SWING ANGLE	1
2	1601022	GEAR, ENCODER DRIVE, MFC, BLACK	1
3	0624197	NUT, 1/4-20, LOCK, A563-GR.A, ZN	4
4	0634451	SCREW, 1/4-20X3/4, HX, GR2, ZN	4
5	0608398	SCREW, 5/8-11 X 1-1/2, HEX, GR 5, ZPY	1
6	0608158	WASHER, LOCK, 5/8, ZN, HELICAL	1
7	1600942	MOUNT, PANEL	1



# 9500CC Components

## Corner Processor Panel



Ref.	Original Part No.	Description
1	0332726	Clamp, Saddle, 6-5/8" x 2-1/2"
2	0608075	Screw, 5/8-11 x 2", Hex
3	0624163	Nut, 5/8-11, Lock
4	0622217	Screw, 3/8-16 x 1", Hex
5	0624205	Nut, 3/8-16, Lock
6	1029859	Screw, 1/4-20 x 3/4", Hex
7	1145721	Clamp, Half, Control Panel
8	1227240	Panel, Corner Processor
9	1238410	Panel Mount, Right Hand
10	1238430	Panel Mount, Left Hand
11	1254660	Angle, Panel, Mounting



# 9500CC Components

## Sequencer and Booster Panel

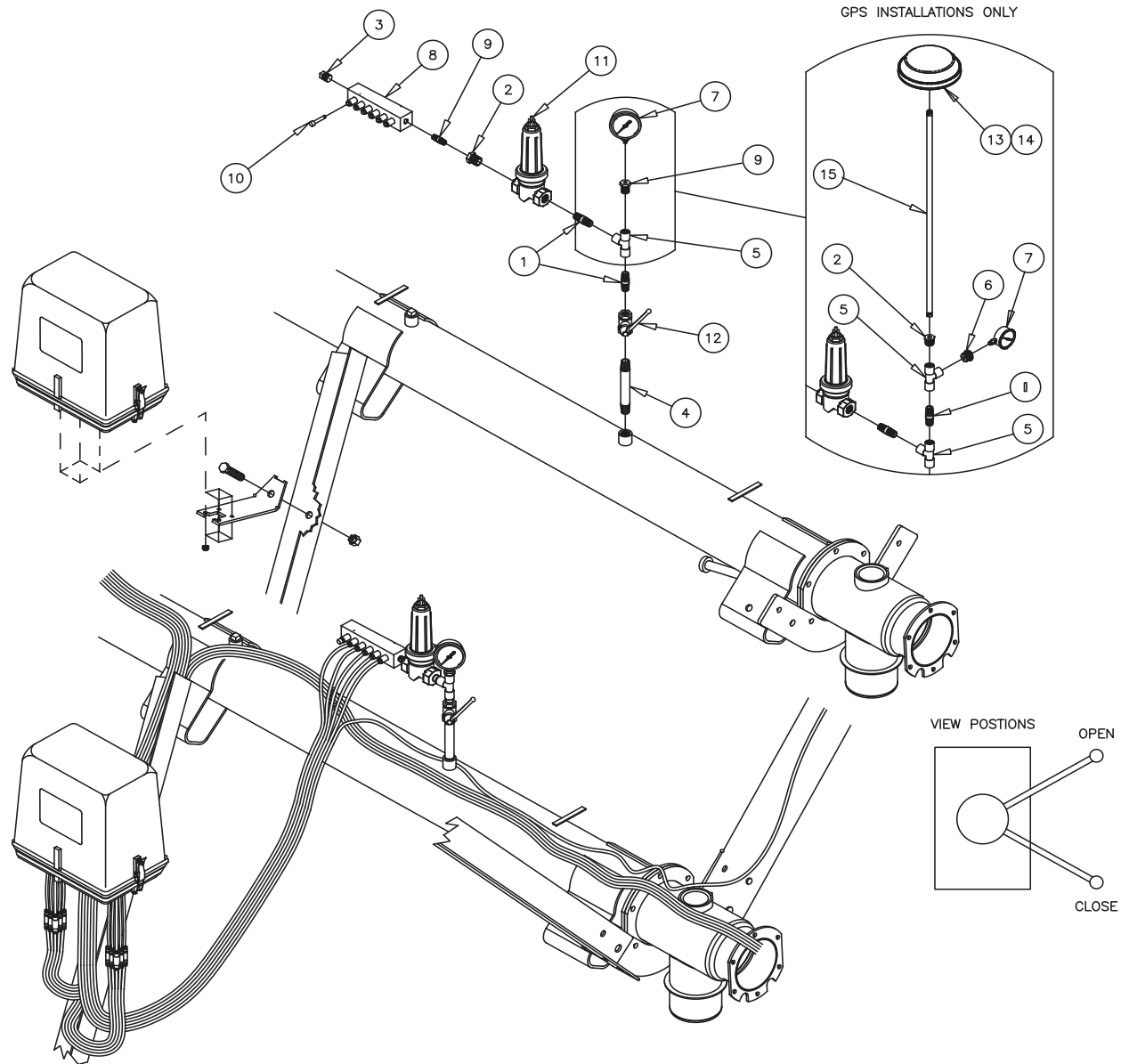


Ref.	Original Part No.	Description
1	0377606	Panel, Control, Booster Pump
2	0409003	Mount, Booster Pump, Angle
3	0602623	Nut, 5/16-18, Lock
4	0624163	Nut, 5/8-11, Lock
5	0608398	Screw, 5/8-11 x 1-1/2", Hex
6	1227250	Panel, Sequencer, Water
	1504060	Panel, Sequencer, Air
7	1239332	Mount, Two Panel



# 9500CC Components

## Booster Pump Plumbing



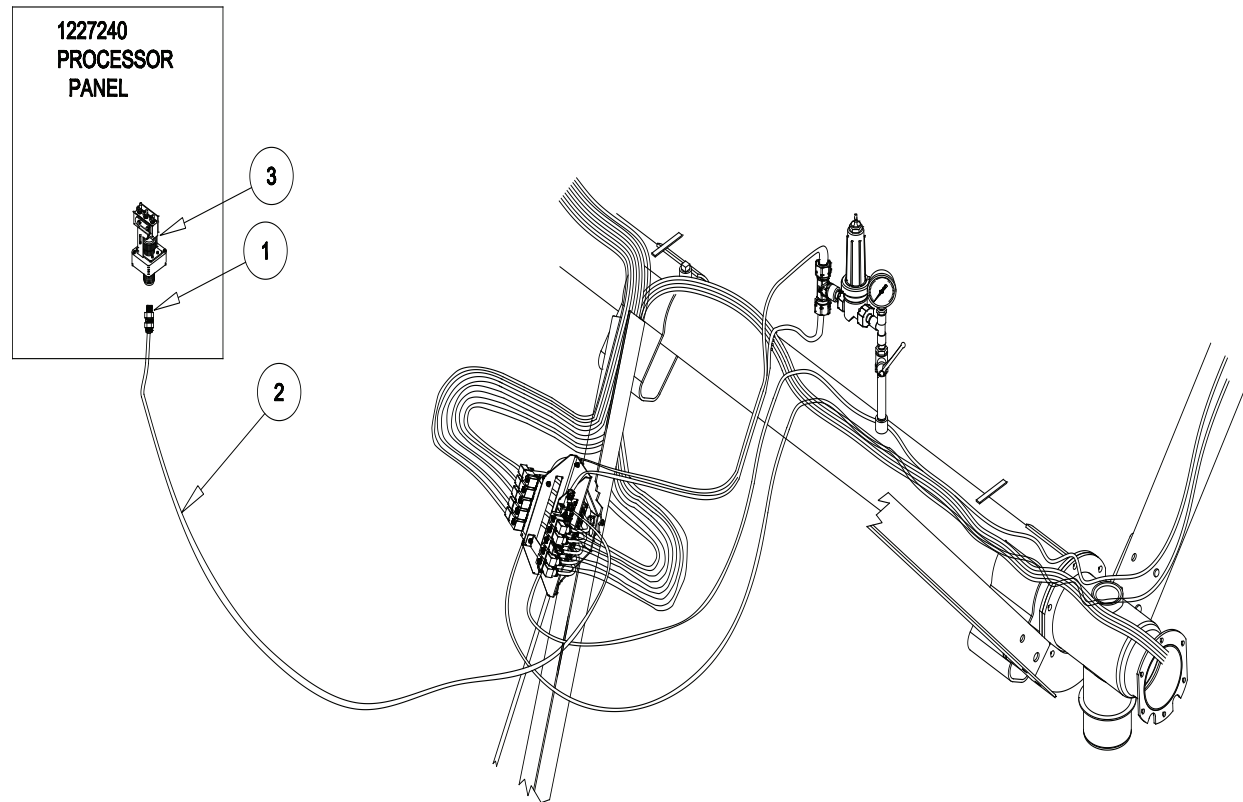
Ref.	Original Part No.	Description
1	0606384	Nipple, Pipe, 3/4" x Close
2	0619551	Bushing, Hex, 3/4" x 3/8"
3	0621037	Plug, Pipe, Square Head, 3/8"
4	0621219	Nipple, Pipe, 3/4" x 3-1/2"
5	0621342	Tee, Pipe, 3/4"
6	0621359	Bushing, Hex, 3/4" x 1/4"
7	0647156	Gauge, Pressure, 100 PSI
8	1203610	Manifold, 1/4", Push-In

Ref.	Original Part No.	Description
9	1206640	Nipple, 3/8" x Close, Stainless Steel
10	1230690	Plug, Station, 1/4"
11	2611895	Filter, Tee, 3/4", 80 Mesh
12	0634998	Valve, Ball, Manual, 3/4"
13	1478460	Antenna, A1/A2
14	1601394	Antenna, A52, L1/L2
15	1483530	Riser Rod, Antenna Mount, GPS



# 9500CC Components

## Pressure Switch

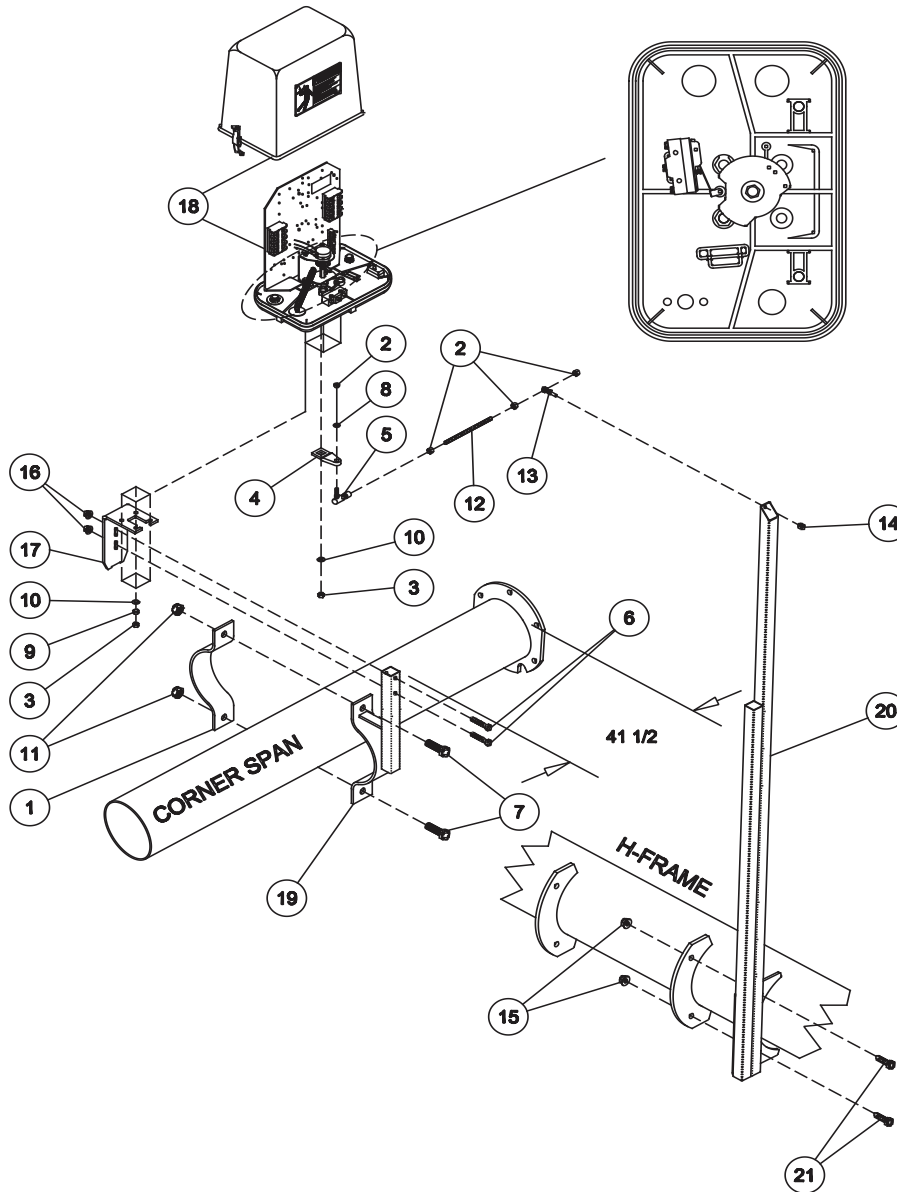


Ref.	Original Part No.	Description
1	0621596	Connector, Hose, 1/4 x 1/8" NPT
2	1183357	Tubing, Nylon, 1/4" OD x 6-1/2"
3	1608417	Switch, Pressure, 2-50 PSI



# 9500CC Components

## IMC Panel



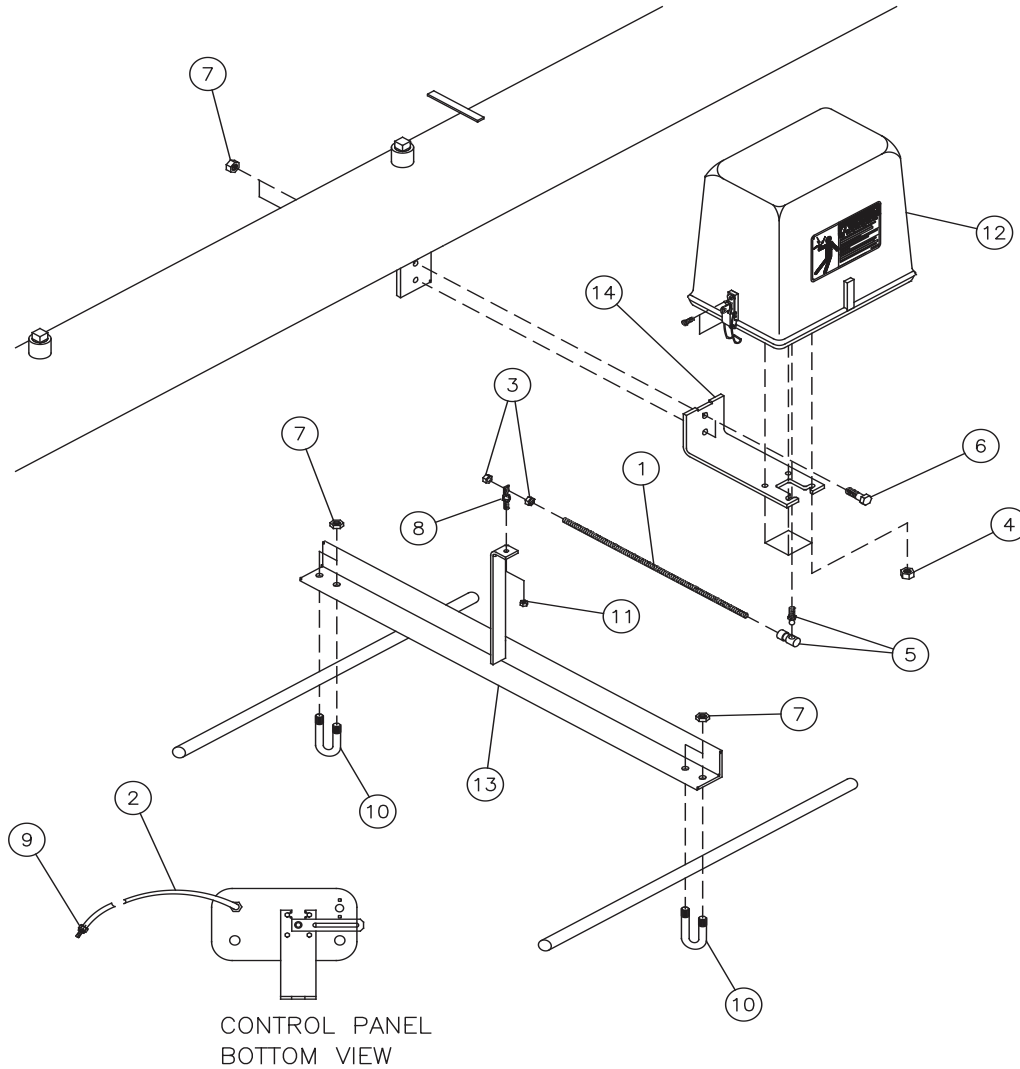
Ref.	Original Part No.	Description
1	0332726	Clamp, Saddle, 6-5/8"
2	0602409	Nut, 5/16-24, Hex
3	0642678	Nut, 1/4-20, Lock, Nylon
4	0604603	Arm, Cam, Tower Control Box
5	0604702	Joint, Ball, Quick Disconnect
6	0608018	Screw, 5/16-18 x 2", Hex
7	0608075	Screw, 5/8-11 x 2", Hex
8	0608125	Washer, 5/16", Lock
9	0608224	Nut, 5/16-18, Hex
10	0608422	Washer, 1/4", Flat

Ref.	Original Part No.	Description
11	0624163	Nut, 5/8-11, Lock
12	0637181	Rod, 5/16-24 x 6", Linkage
13	0644112	Joint Ass'y, Ball, Swivel
14	1112440	Nut, 1/4-28, Lock, Nylon
15	1145291	Nut, 1/2-13, Flange, Lock
16	1176601	Nut, 5/16-18, Flange, Lock
17	1220400	Bracket, Displacement Panel
18	1287610	Panel, Corner, IMC
19	1290410	Mount, Motion Control
20	1290450	Weldment, Vertical Arm
21	2607604	Screw, 1/2-13 x 1-1/2", Hex



# 9500CC Components

## Twist Safety Panel



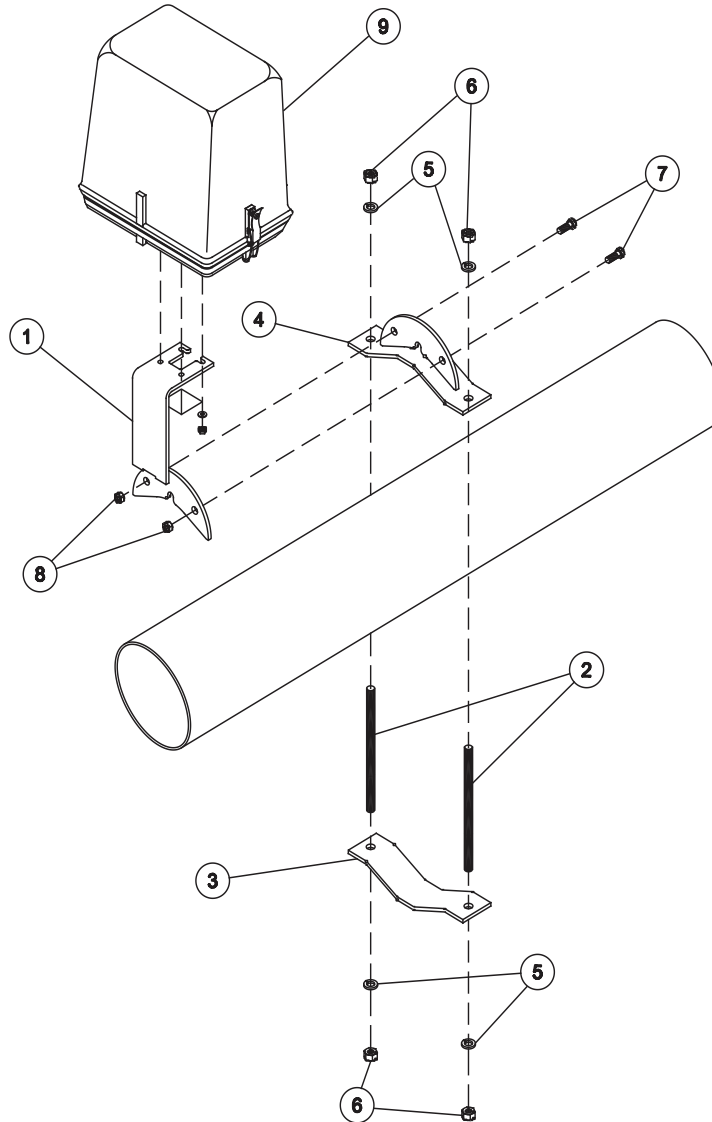
Ref.	Original Part No.	Description
1	0313205	Rod, 5/16-24 x 16", Link
2	1238590	Cable, Electric, 4-#14 x 11-1/2"
3	0602409	Nut, 5/16-24, Hex
4	0602623	Nut, 5/16-24, Lock
5	0604702	Joint, Ball, Quick Connect
6	0622217	Screw, 3/8-16 x 1", Hex
7	0622282	Nut, 3/8-16, Lock, Nylon

Ref.	Original Part No.	Description
8	0644112	Joint Ass'y, Ball, Swivel
9	0908329	Connector, 1/2", .37-.5 Diameter
10	1108984	Bolt, U, 3/8-16 x 2-1/4"
11	1112440	Nut, 1/4-28, Lock, Nylon
12	1227260	Panel, Control, Twist Safety
13	1239560	Angle Weldment, Twist Safety
14	1177997	Panel Mount, Twist Safety



# 9500CC Components

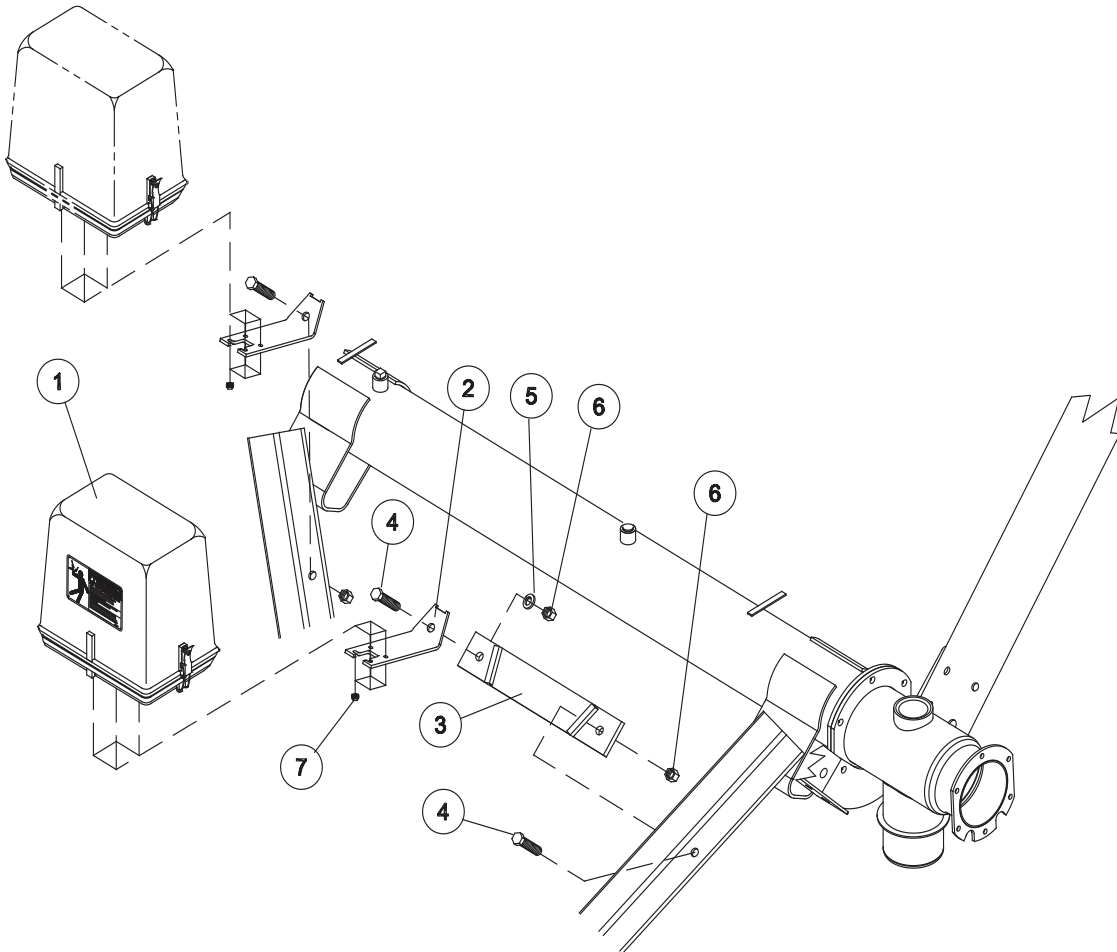
## Line Reactor Panel



Ref.	Original Part No.	Description
1	0328229	Mount, Weldmt., Tower Panel, Sq. Mnt.
2	0352724	Rod threaded, 1/2-13 x 9"
3	0472431	Clamp, Saddle, 5-9/16 to 8"
4	0472449	Mount, Universal, Tower Box
5	0608141	Washer, 1/2". Lock
6	0608240	Nut, 1/2-13, Hex
7	0622217	Screw, 3/8-16 x 1", Hex
8	0624205	Nut, 3/8-16, Lock
9	1283630	Panel, Line Reactor, 8 Amp, Tower

# 9500CC Components

## Motor Drop Cable Junction Box



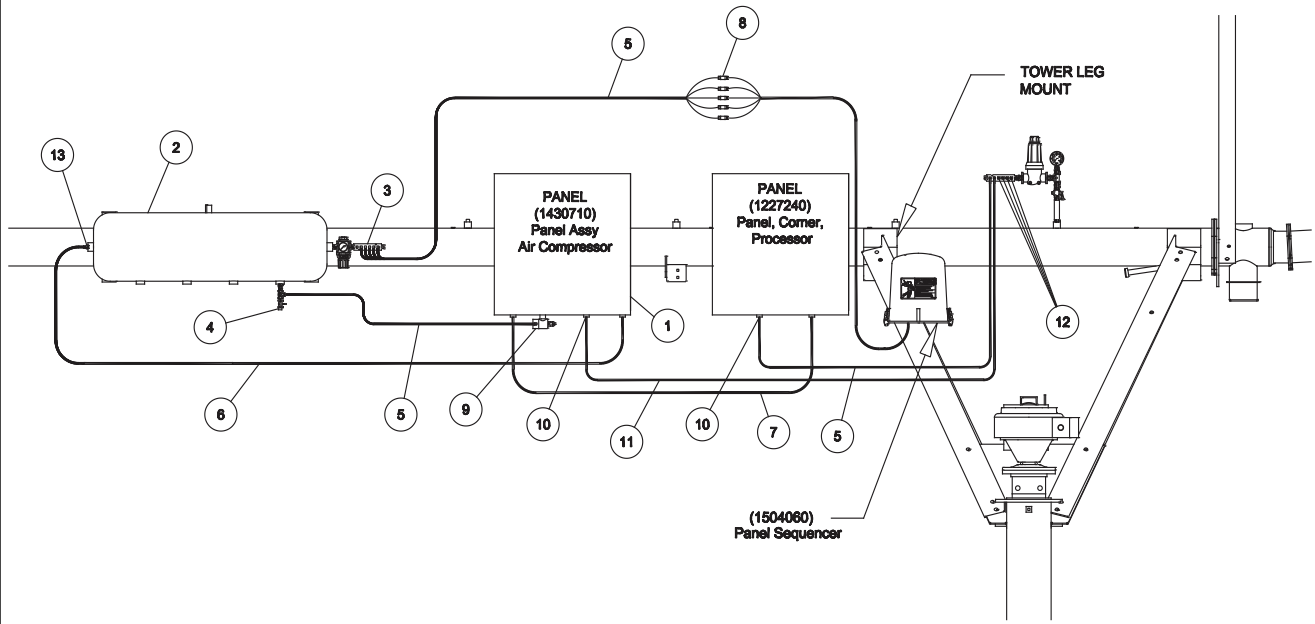
Ref.	Original Part No.	Description
1	1601198	Panel, Junction Box, Motor Drop
2	0409003	Mount, Booster Pump, Angle
3	1239332	Mount, Two Panel
4	0608075	Screw, 5/8-11 x 2", Hex
5	0608158	Washer, 5/8", Lock
6	0608257	Nut, 5/8-11, Hex
7	0602623	Nut, 5.16-18, Lock



# 9500CC Components

## Air Compressor

### Air Compressor Plumbing

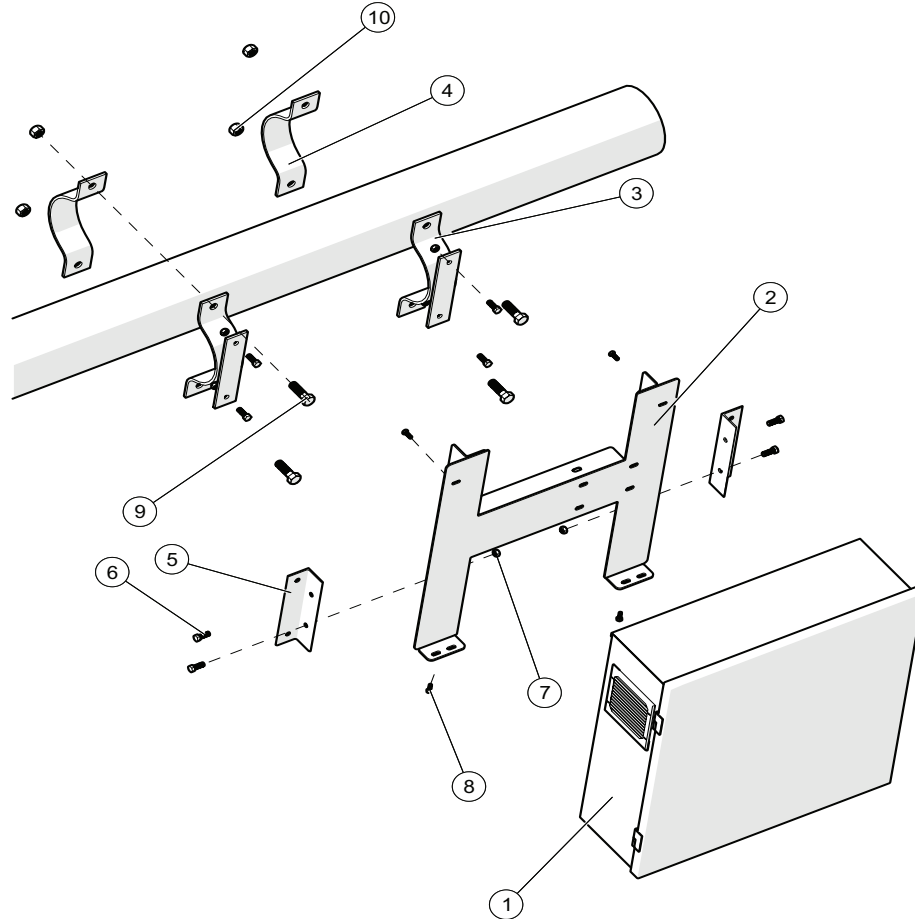


Ref.	Original Part No.	Description
1	1430710	Panel Assembly, Air Compressor
2	1504900	Tank, Air, 9500CC
3	1470140	Manifold Ass'y, Air Compressor
4	1470150	Drain Ass'y, Air Compressor
5	1503550	Tubing, Nylon, 1/4" OD x 8'
6	1507190	Tubing, Aluminum, 3/8" Diameter
7	0366641	Cable, Electric, 4-#10, 6-#14 x 15'
8	1503500	Union, Push-In, 1/4" Tube, Brass
9	1508960	Solenoid Ass'y, Air Compressor
10	1503480	Connector, Push-In, 1/4" x 1/8" NPT
11	1503540	Tubing, Nylon, 1/4" OD x 15', DOT
12	1506440	Plug, 1/4", Air, DOT, Push-In
13	1506350	Fitting, Compression, 1/2 x 3/8", NPT
14	1605842	Cable, electric, 3-#14 x 14'-8"



# 9500CC Components

## Air Compressor Panel Mount

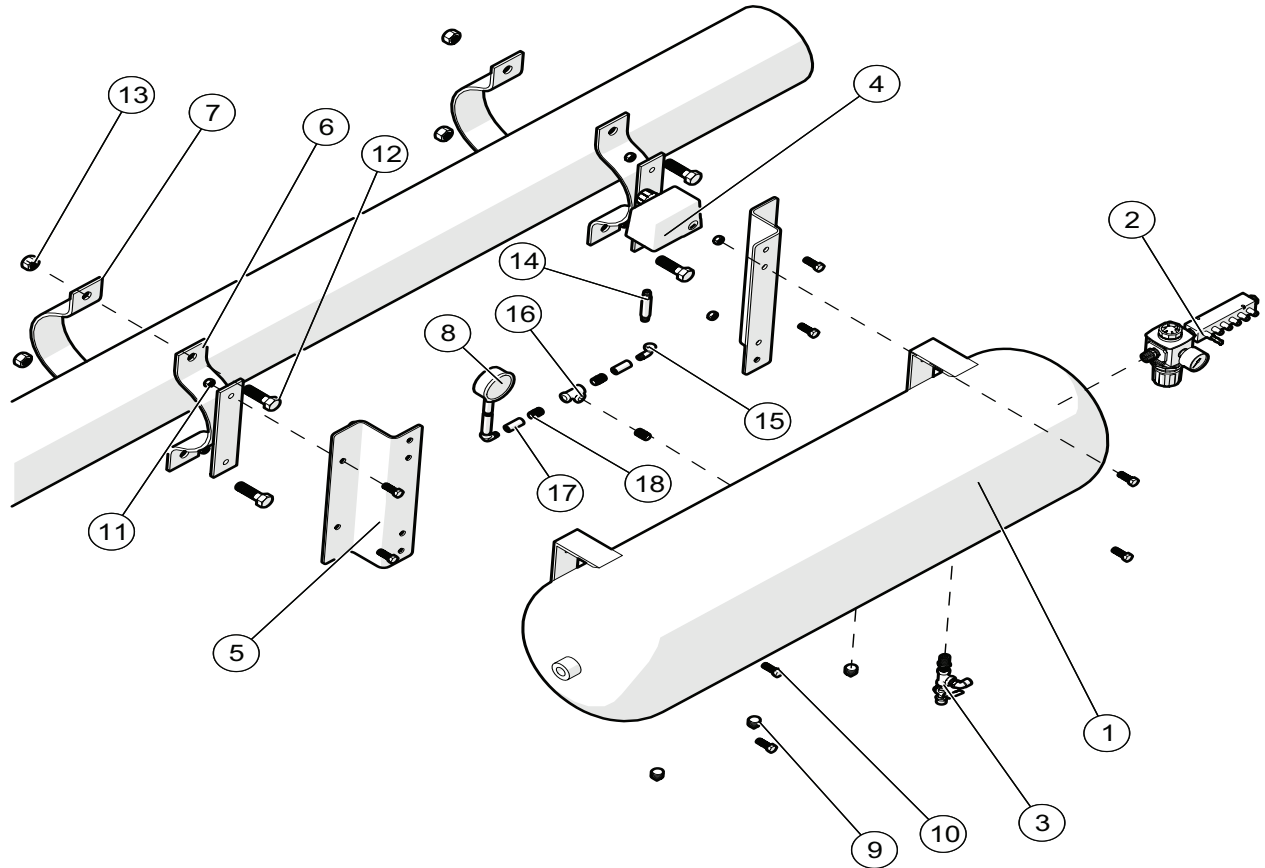


Ref.	Original Part No.	Description
1	1430710	Panel Ass'y, Air Compressor
2	1607522	Mount, Air Compressor Panel
3	1145721	Clamp Half, Control, Panel, 9500CC
4	0332726	Clamp, Saddle, 6-5/8"
5	1254660	Angle, Mount, Panel
6	0622217	Screw, 3/8-16 x 1", Hex
7	0624205	Nut, 3/8-16, Lock
8	1029858	Screw, 1/4-20 x 3/4", Hex
9	0608075	Screw, 5/8-11 x 2", Hex
10	0624163	Nut, 5/8-11, Lock



# 9500CC Components

## Air Compressor Tank Mount



Ref.	Original Part No.	Description
1	1504900	Tank, Air, 9500CC, 20 Gallon
2	1470140	Manifold Ass'y, Air Compressor
3	1470150	Drain, Ass'y, Air Compressor
4	1508280	Switch, Pressure, Air, 125 PSI
5	1505750	Angle Mount, Air Tank
6	1145721	Clamp half, Control Panel Mount
7	0332726	Clamp, Saddle, 6-5/8"
8	1507020	Gauge Ass'y, Air, 9500CC
9	0635771	Plug, Pipe, 1/2" Square Head

Ref.	Original Part No.	Description
10	0622217	Screw, 3/8-16 x 1", Hex
11	0624205	Nut, 3/8-16, Lock
12	0608075	Screw, 5/8-11 x 2", Hex
13	0624163	Nut, 5/8-11, Lock
14	1109123	Nipple, Pipe, 1/4" x 3"
15	0606483	Elbow, Street, 1/4" x 90 Degree
16	0606491	Tee, Pipe, 1/4"
17	0634113	Coupling, Pipe, 1/4"
18	0626275	Nipple, Pipe, 1/4" x Close



## Table of Contents

<b>Electrical - Miscellaneous</b> .....	O-3
Miscellaneous Fuses .....	O-3
Overloads.....	O-3
Fuseholders (Optional).....	O-3
Terminals .....	O-4
Toggle Switches.....	O-5





# Electrical - Miscellaneous

## O Electrical - Miscellaneous

### Miscellaneous Fuses

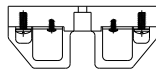
Ref.	Original Part No.	Substitute Part No.	Description
1	06-3743-9		Fuse, 500V, 12 Amp, D.E.T.D
2	09-2026-4		Fuse, 250V, 10 Amp, #Non-10
3	09-8969-9		Fuse, 500V, 6 Amp, D.E.T.D
4	09-8989-7		Fuse, 500V, 0.6 Amp, D.E.T.D
5	09-8990-5		Fuse, 4A / 3AG / AGC
6	09-9063-0		Fuse, 250V, 2 Amp, AGC
7	09-9097-8		Fuse, 250V, 2 Amp, D.E.T.D
8	09-9228-9		Fuse, 250V, 3 AG
9	09-9261-0		Fuse, 600V, 70 Amp, D.E.T.D
10	09-9264-4		Fuse, 600V, 100 Amp, D.E.T.D

Ref.	Original Part No.	Substitute Part No.	Description
11	09-9265-1		Fuse, 600V, 175 Amp, D.E.T.D
12	09-9266-9		Fuse, 600V, 200 Amp, D.E.T.D
13	09-9272-7		Fuse, 500V, 8 Amp, D.E.T.D
14	10-1594-0		Fuse, 125V, 1/8 Amp, AGA
15	10-1595-7		Fuse, 125V, 1 Amp, AGA
16	10-1596-5	11-8750-0	Fuse, 250V, 5 Amp, MD2
17	11-8354-0		Fuse, TR5, 2 Amp
18	11-8355-0		Fuse, TR5, 250 MA
19	11-8356-0		Fuse, 5 x 20 MM, FA, 1 Amp

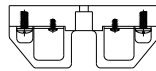
### Overloads

Ref.	Original Part No.	Substitute Part No.	Description
1	09-9206-5	N/A	Coil, Overload Heater, CH #H102

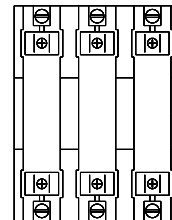
### Fuseholders (Optional)



9-8870-9  
FUSEHOLDER,600V,30A,2



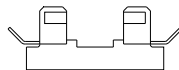
9-8923-6  
FUSEHOLDER,600V,30A,3 POLE



9-8917-8  
FUSEHOLDER,MAR.,4100032,30A



9-9227-1  
FUSEHOLDER,1 POLE,3AG,QUICK CON.

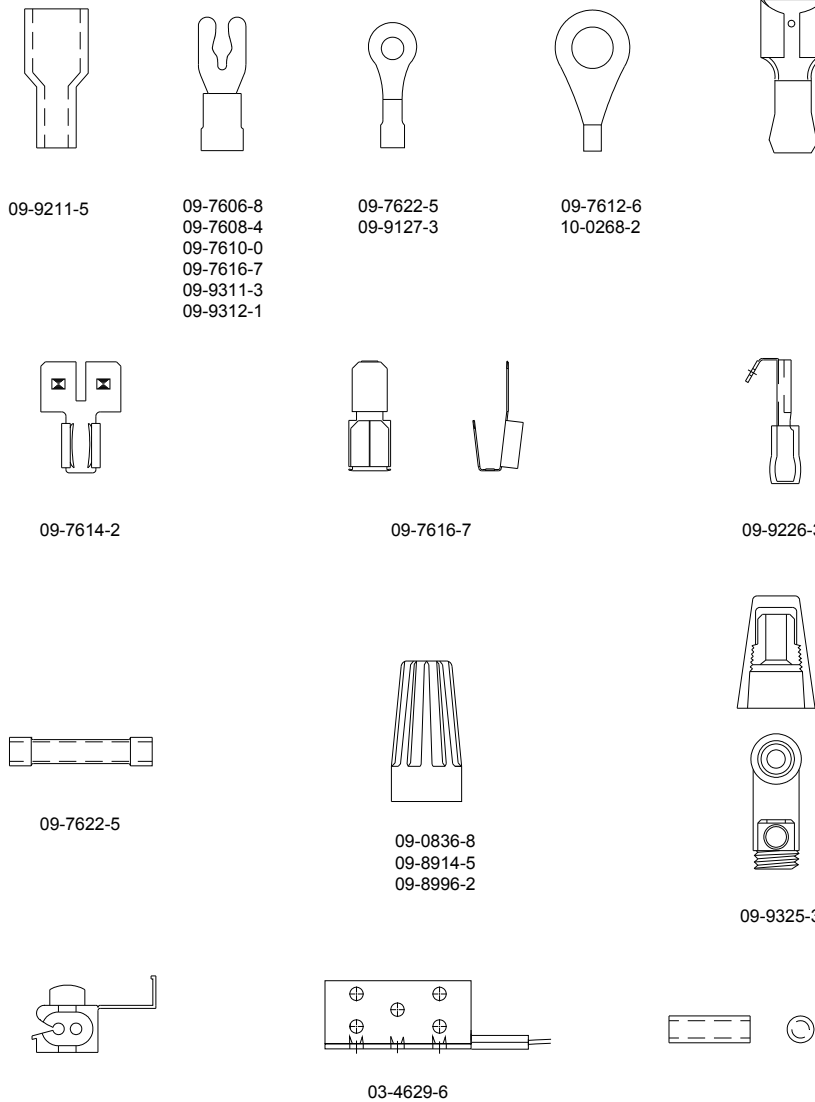


Ref.	Original Part No.	Substitute Part No.	Description
1	09-8870-9		Fuseholder, 600V, 30A, 2 Pole
2	09-8917-8		Fuseholder, Mar., 30A
3	09-8923-6		Fuseholder, 600V, 30A, 3 Pole
4	09-9227-1		Fuseholder, 1 Pole, 3 AG, Quick Connect



# Electrical - Miscellaneous

## Terminals



Ref.	Original Part No.	Substitute Part No.	Description
1	09-9210-7		Terminal, Slip-On, 12-10-1/4" Ins
2	09-9211-5		Term., Slip-On, 16-14-1/4" Ful. Ins
3	09-9340-2		Term., Slip-On, 18-22 x 1/4", Ful. Ins
4	09-7608-4		Term., Wire, #16-14, Spade 8, Ins
5	09-7608-4		Term., Wire, #16-14, Spade 8, Ins
6	09-7610-0		Term., Wire, #16-14, Spade 10, Ins
7	09-7614-2		Term., Wire, #10-12, Spade 10, Ins
8	09-7616-7		Term., Wire, #10-12, Spade 8, Ins
9	09-9311-3		Term., Wire, #22-18, Spade, #10, Ins
10	09-9312-1		Term. Wire, #22-18, Spade, #6, Ins
11	09-7622-5		Term., Wire, #16-14, Ring #6, Ins
12	09-7624-1		Term, Wire, #10-12, Ring #6, Ins
13	09-9127-3		Terminal, Wire, 14 AWG, 3/8" Ring
14	09-7612-6		Terminal, Wire, #10-12, Ring, 1/4"
15	10-0268-2		Terminal, Wire, #10-12, Ring, 5/16"

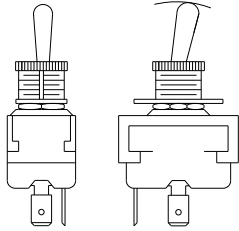
Ref.	Original Part No.	Substitute Part No.	Description
16	09-9051-5		Terminal, Wire, #16-14, Slip-On, Ins
17	09-9207-3		Terminal, Slip-On Adaptor, 1/4"
18	09-9226-3		Term., 1/4 Slip-On, Piggy-Back, Ins
19	09-0845-9		Terminal, Butt, W, #16-14 AWG, Ins
20	09-9129-9		Terminal, Butt, W, #10-12 AWG, Ins
21	09-0836-8		Connector, Wire, Ideal, #74B
22	09-8914-5		Connector, Wire, Ideal, #76B
23	09-8996-2		Connector, Wire, Ideal, #73B
24	09-9325-3		Connector, Set-Screw
25	09-9071-3		Splice, Tap, 3M, #560B
26	03-4629-6		Termifoil Assembly
27	09-7628-2		Term., Wire, R, #16-14, Termfoil, Ins
28	09-8892-3		Terminal, Parallel, U, #16-14, Bare



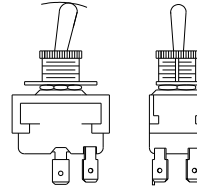
# Electrical - Miscellaneous

## Toggle Switches

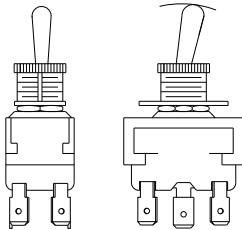
**NOTE:** Refer to J-13 in Main Panel section for main panel toggle switches.



9-9216-4 SWITCH, TOGGLE, SPST, MOMENT, OFF  
9-9231-3 SWITCH, TOGGLE, SPST, MOMENT, ON  
9-9232-1 SWITCH, TOGGLE, SPST



10-0262-5 SWITCH, TOGGLE, DPST, ON-OFF



9-9287-5 SWITCH, TOGGLE, 2PDT, MOM. ON-OFF, MOM. ON  
9-9339-4 SWITCH, TOGGLE, DPDT-ON, MOM. ON

Ref.	Original Part No.	Substitute Part No.	Description
1	09-9216-4		Switch, Toggle, SPST, Moment, Off
2	09-9231-3		Switch, Toggle, SPST, Moment, On
3	09-9232-1		Switch, Toggle, SPST
4	9-9287-5		Switch, Toggle, 2PDT, Mom. On-Off
5	9-9339-4		Switch, Toggle, DPDT-On, Mom. On
6	10-0262-5		Switch, Toggle, DPST, On-Off



## Electrical - Miscellaneous

### Span Cables

Cut to Length Cable		
Standard Span Cable	PP Span Cable	Description
0369280	1608429	SPAN CABLE,PP,4#12,6#14,140.5'
0369298	1608430	SPAN CABLE,PP,4#12,6#14,162.5'
0369306	1608431	SPAN CABLE,PP,4#12,6#14,184.5'
0369363	1608432	SPAN CABLE,PP,4#12,6#14,206.5'
0369181	1608433	SPAN CABLE,PP,4#10,6#14,140.5'
0369199	1608434	SPAN CABLE,PP,4#10,6#14,162.5'
0369207	1608435	SPAN CABLE,PP,4#10,6#14,184.5'
0369264	1608436	SPAN CABLE,PP,4#10,6#14,206.5'
1210350	1608437	SPAN CABLE,PP,4#12,7#14,140.5'
1210360	1608438	SPAN CABLE,PP,4#12,7#14,162.5'
1210380	1608439	SPAN CABLE,PP,4#12,7#14,184.5'
1210400	1608440	SPAN CABLE,PP,4#12,7#14,206.5'
1218040	1608441	SPAN CABLE,PP,4#10,7#14,140.5'
1218050	1608442	SPAN CABLE,PP,4#10,7#14,162.5'
1218070	1608443	SPAN CABLE,PP,4#10,7#14,184.5'
1218090	1608444	SPAN CABLE,PP,4#10,7#14,206.5'
1178359	1608445	SPAN CABLE,PP,4#8,7#14,140.5'
1178367	1608446	SPAN CABLE,PP,4#8,7#14,162.5'
1178383	1608447	SPAN CABLE,PP,4#8,7#14,184.5'
1178409	1608448	SPAN CABLE,PP,4#8,7#14,206.5'



## Electrical - Miscellaneous

Span Cable 01 Modules				
Standard	PP	Description	Conductors	Span
0118620	0185090	SPAN CABLE,PP,135',10C,12 AWG	10C, 12 AWG	135
0125435	0185100	SPAN CABLE,4#12,6#14,140`	10C, 12 AWG	135
0118638	0185180	SPAN CABLE,PP,157',10C,12 AWG	10C, 12 AWG	157
0125401	0185190	SPAN CABLE,PP,4#12,6#14,162`	10C, 12 AWG	157
0118646	0185200	SPAN CABLE,PP,179',10C,12 AWG	10C, 12 AWG	179
0125427	0185210	SPAN CABLE,PP,4#12,6#14,184`	10C, 12 AWG	179
0118653	0185220	SPAN CABLE,PP,201',10C,12 AWG	10C, 12 AWG	201
0118521	0185230	SPAN CABLE,135',10 AWG	10C, 10 AWG	135
0118539	0185240	SPAN CABLE,157',10 AWG	10C, 10 AWG	157
0118547	0185250	SPAN CABLE,179',10 AWG	10C, 10 AWG	179
0118554	0185260	SPAN CABLE,201',10 AWG	10C, 10 AWG	201
0147930	0185270	SPAN CABLE,135`,11 WIRE,12AWG	11C, 12 AWG	135
0147940	0185280	SPAN CABLE,157`,11 WIRE,12AWG	11C, 12 AWG	157
0147960	0185290	SPAN CABLE,179`,11 WIRE,12AWG	11C, 12 AWG	179
0147980	0185300	SPAN CABLE,201`,11 WIRE,12AWG	11C, 12 AWG	201
0148960	0185310	SPAN CABLE,135`,11 WIRE,10AWG	11C, 10 AWG	135
0148970	0185320	SPAN CABLE,157`,11 WIRE,10AWG	11C, 10 AWG	157
0148990	0185330	SPAN CABLE,179`,11 WIRE,10AWG	11C, 10 AWG	179
0149010	0185340	SPAN CABLE,201`,11 WIRE,10AWG	11C, 10 AWG	201
0141200	0185350	SPAN CABLE,135`,8AWG,11WIRE	11C, 8 AWG	135
0141192	0185360	SPAN CABLE,157`,8AWG,11WIRE	11C, 8 AWG	157
0141176	0185370	SPAN CABLE,179`,8AWG,11WIRE	11C, 8 AWG	179
0141150	0185380	SPAN CABLE,201`,8AWG,11WIRE	11C, 8 AWG	201

Bulk (by the foot) Cable - ProofPositive		
Standard	PP Span Cable	Description
0992032	1608422	SPAN CABLE,PP,4#12,6#14,BULK
0992024	1608423	SPAN CABLE,PP,4#10,6#14,BULK
1210330	1608424	SPAN CABLE,PP,4#12,7#14,BULK
0988246	1608425	SPAN CABLE,PP,4#10,7#14,BULK
1178807	1608426	SPAN CABLE,PP,4#8,7#14,BULK



## Electrical - Miscellaneous

Bulk (by the foot) Cable - SureSeal	
PN	Description
1608804	CABLE,SURESEAL,#4 QUAD,BULK
1608805	CABLE,SURESEAL,#2 QUAD,BULK
1608806	CABLE,SURESEAL,#1/0 QUAD,BULK
1608807	CABLE,SURESEAL,#2/0 QUAD,BULK
1608808	CABLE,SURESEAL,#4/0 QUAD,BULK
1608809	CABLE,SURESEAL,#250 QUAD,BULK
1608810	CABLE,SURESEAL,#350 QUAD,BULK
1608811	CABLE,SURESEAL,#500 QUAD,BULK

Full Spool - ProofPositive		
Bulk Cable	PN	Description
1608422	1608812	CABLE,PP,10C,12AWG,SPOOL,6000'
1608423	1608813	CABLE,PP,10C,10AWG,SPOOL,6000'
1608424	1608814	CABLE,PP,11C,12AWG,SPOOL,6000'
1608425	1608815	CABLE,PP,11C,10AWG,SPOOL,6000'
1608426	1608816	CABLE,PP,11C,8AWG,SPOOL,4000'

Full Spool - SureSeal		
Bulk Cable	PN	Description
1608804	1608817	CABLE,SS,#4 QUAD,SPOOL,6000'
1608805	1608818	CABLE,SS,#2 QUAD,SPOOL,6000'
1608806	1608819	CABLE,SS,#1/0 QUAD,SPOOL,6000'
1608807	1608820	CABLE,SS,#2/0 QUAD,SPOOL,6000'
1608808	1608821	CABLE,SS,#4/0 QUAD,SPOOL,3000'
1608809	1608822	CABLE,SS,#250 QUAD,SPOOL,3000'
1608810	1608823	CABLE,SS,#350 QUAD,SPOOL,3000'
1608811	1608824	CABLE,SS,#500 QUAD,SPOOL,1500'
1608811	1608825	CABLE,SS,#500 QUAD,SPOOL,2400'

## Electrical - Miscellaneous



*Notes*

Revisions				
Date	ECN	Published ECN	Revision	Description of Change
12/15/2011	30190	30190	A	8-5/8 Product Release
12/21/2011	30332			Section L add Super High Auto Rev/Shutdown
1/10/2011	30327			Section H, 1452300 New Drawing
3/31/2012	30157			Replaced Screw P/N 064028
2/28/2012	30443			Section L Changed Booster Transformer
3/13/2012	30452			Added Hanger Bracket 1600155
3/28/2012	30607	30607	B	Published
4/17/2012	30384			Added 3 Wheel to 4 Wheel Drive Conversion
4/17/2012	30566			Added Overhang Kit for 201' Span
4/27/2012	30611	30611	C	8-5/8" Polyline, Published
4/17/2012	30556			Section J Added New Transformer and Fuse
5/18/2012	30725	30725	D	Published per Project Gold Rebranding
5/25/2012	30706			Sec. A Sub sealing conduit nut for o-ring and conduit nut
5/29/2012	30703			Changed 0990309 to 1600836
6/5/2012	30776			Changed Switch Description
6/11/2012	30594			Vent Plug on Gearboxes to be CE Compliant
6/21/2012	30747			Obsoleted Shim 1092337
7/5/2012	30709			Section L Screw 1600827 was 0608513
7/19/2012	30793			Truss 12-7093-0 was 96-3/4"
7/13/2012	30875	30875	E	Published per 8-5/8 phase D changes
7/31/2012	30560			Section G added SS Flush Out
8/29/2012	30935			P/N 1177872 was 1237050
9/4/2012	30815			Section J & L added VISION for Lateral Panels
10/8/2012	31009			Section F Added Super High Auto Rev/Stop
10/19/2012	30835			Section I updated Stators
10/26/2012	31063	31063	F	Published
11/6/2012	31014			Replaced Scew 0615807 with 1184050
11/30/2012	30271			Misc Fuses, 1187500 was 1015965

12/17/2012	31146			1601517 was 1006782; 1601518 was 1006808
2/25/2013	31230			Disconnect Switch 1600943 was 1491380 Changed 30A Disconnect Kits to P/N 1602086. Disconnect 1601930 was 1428940.
3/11/2013	31357	31357	G	Updated new disconnect switch part numbers. Published manual.
6/3/2013	31185			Added LED Lights to Section A & G
7/22/2013	31484			Changed Tie Rod assembly on Towable DT
7/22/2013	31188			Added 6th Tie to Med. Clear Tower
8/7/2013	31759			Added NFTrax information
10/21/2013	31870			Added Snubber P/N 1207390
10/22/2013	31827			Section J - Updated all main panels
10/30/2013	31969			Section J- Added EPROM 1601429.
12/9/2013	32003	32003	H	Sect. A & J added antenna 1601394
2/6/2014	32108			Section L Updated NTL Tower Panel
2/25/14	32212			Updated with new Grounding system
4/1/2014	32190			Section - Updated Next to Last Tower Panels
4/10/2014	32357			Section J- New Air Compressor Panel
4/21/2014	32408	32408	J	Re-instated NFTrax information
4/16/2014	32414			Removed SS Joint Flush out Kit
4/18/2014	32406			New Gasket on Main Panels
6/16/2014	32313			Section L: 1607512 was 0639104, 0602409 was 0642678
6/23/2014	32575			Section L: 1608373 was 1135706
9/11/2014	32520			Section M added Proof Positive Cables
9/11/2014	32313			1607512 was 0639104; 0602409 was 0642678
10/21/2014	32799			Section A: New Encoder Brackets
12/4/2014	32677	32677	K	1608449 was 1189210 in main panels
2/3/2015	33159			Latch 1609116 replaces 1161215
2/4/2015	33130			New LED Light 1609055
4/6/2015	32625	32625		Modified Tower Box Bases
4/29/2015	33242			1609550 was 0381467
4/30/2015	33378			Changed Cable Gland on Tower panels to 1609689
11/4/2015	33547			New FieldPLUS Panel

1/7/2016	33943	33943	L	New Gearbox, Shims, Twr Panel Updates
3/31/2016	34101	34101	M	Added Lateral Section M, 9500CC Section N and Miscellaneous is now Section O
3/31/2016	33821			New Ground Bar 1610341 replaces 0976316

